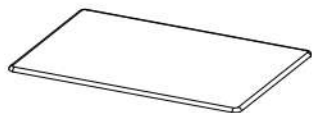
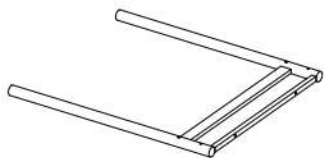


# NAREN



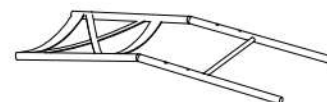
A - 1x



B - 2x



C - 2x



D - 4x



E - 4x



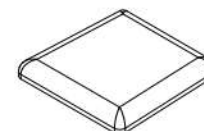
F - 4x



G - 4x



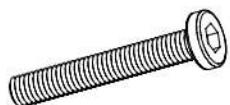
H - 4x



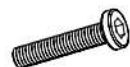
I - 4x



M6 12  
J - 20x



M6x40mm  
K - 4x



M6x25mm  
L - 8x



M6x30mm  
M - 16x



M6x35mm  
N - 8x

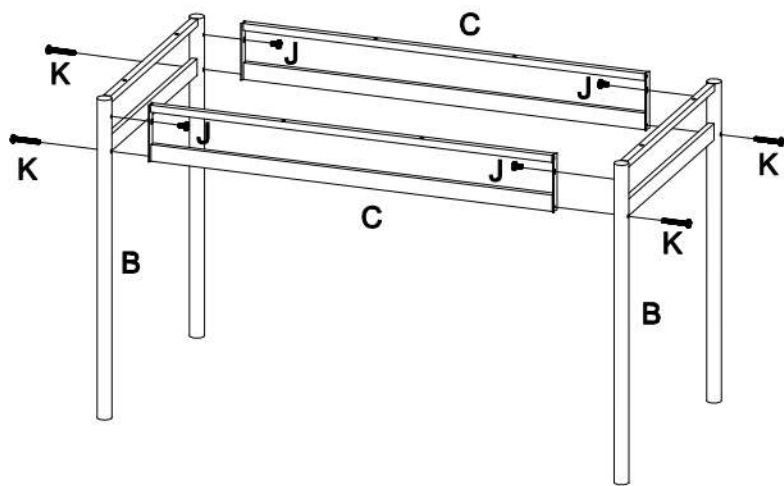


4x25mm  
O - 16x

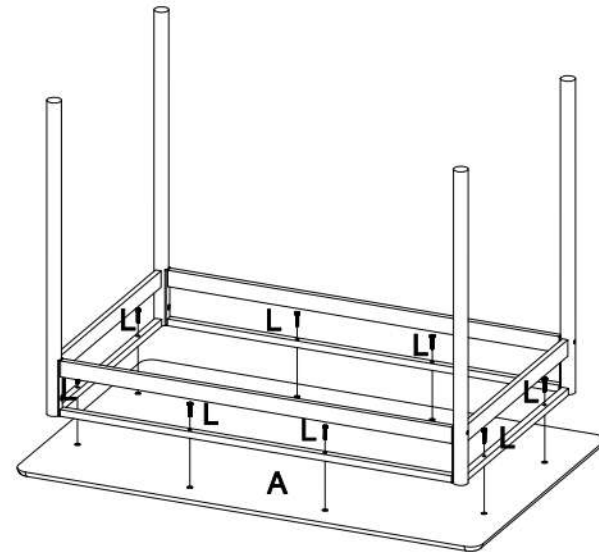


4mm  
P - 1x

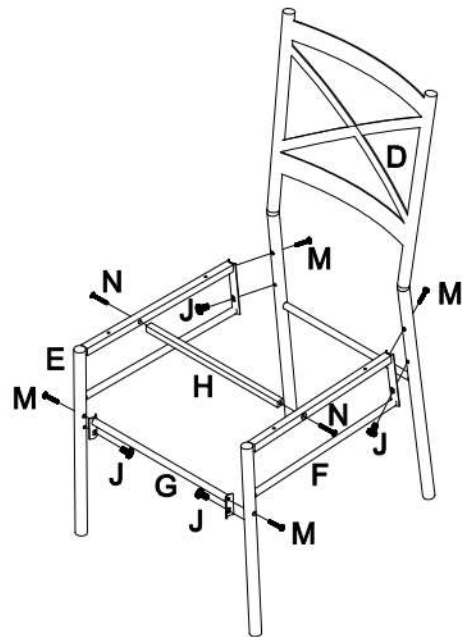
1.



2.

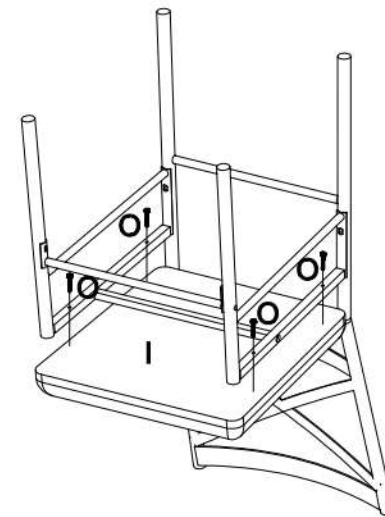


3.



×4

4.



×4