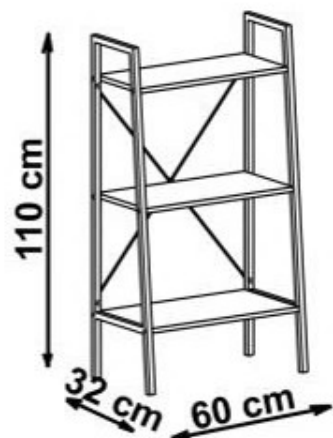
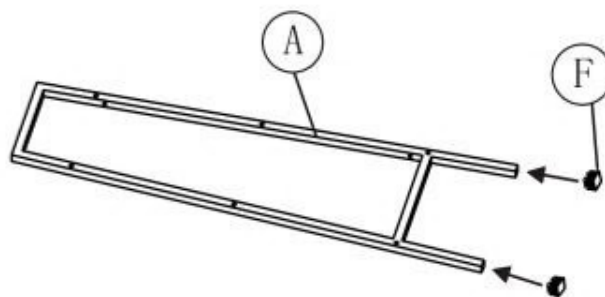


# NARVIK REG-3

NO.	Qty	
A	2	
B	1	
C	1	
D	1	
E	1	
F	4	
G	4	
H	12	
I	4	
J	1	
K	1	

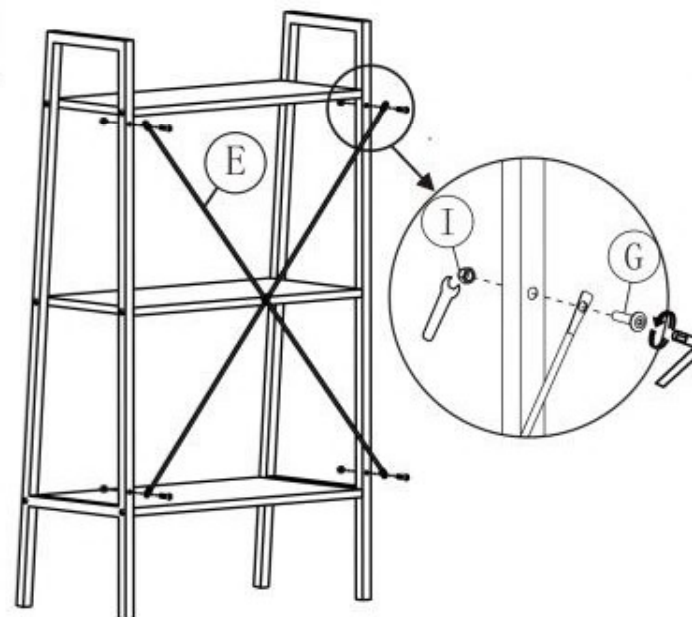


1  
Ax2  
Fx4



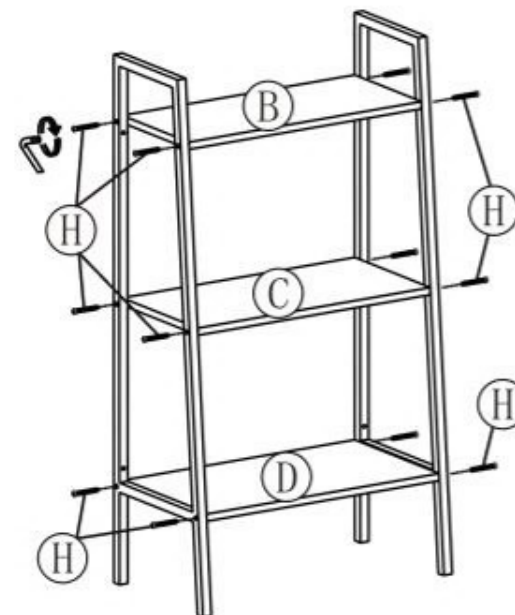
x2

3  
Ex1  
Gx4  
Ix4



4

2  
Bx1  
Cx1  
Dx1  
Hx12



max. 10 kg

