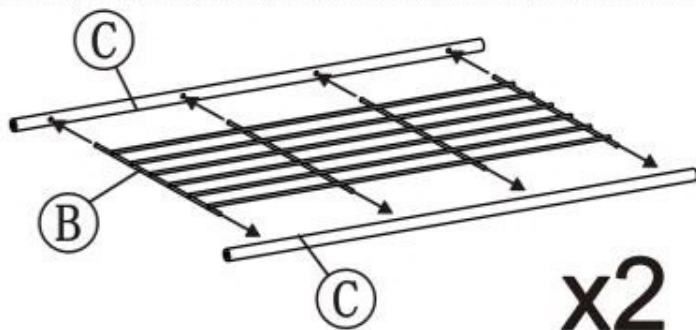
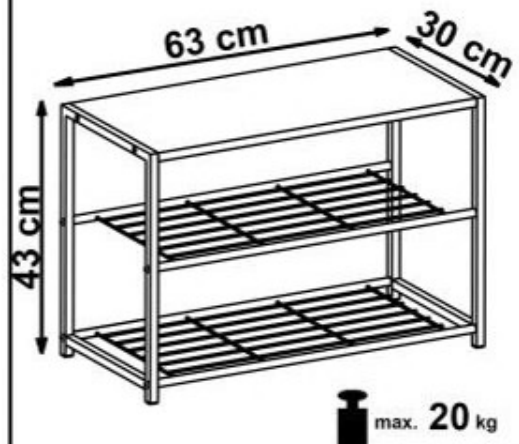


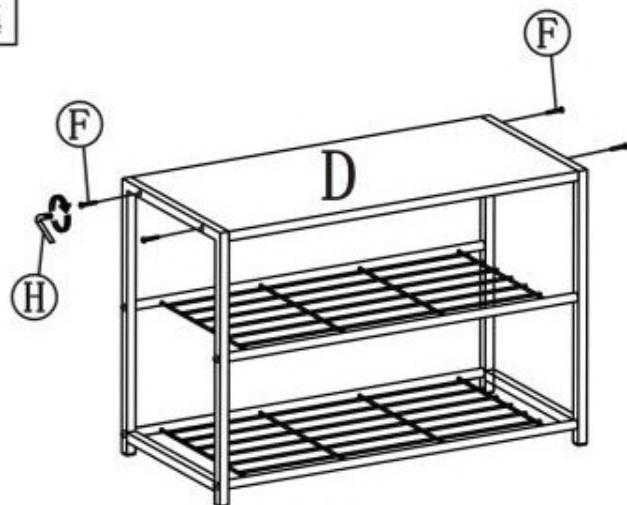
NARVIK ST-1

1
Ax2
Gx4
Bx2
Cx4

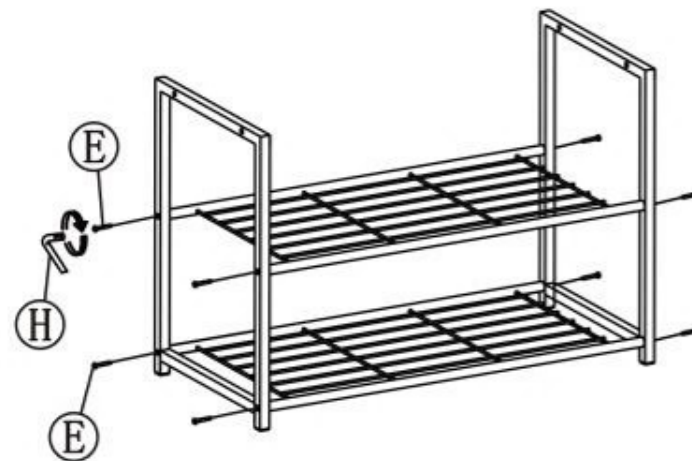
NO.	Qty	
A	2	
B	2	
C	4	
D	1	
E	8	 M6x25
F	4	 6.3x40
G	4	
H	1	



3
Dx1
Fx4



2
Ex8



4

