

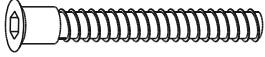




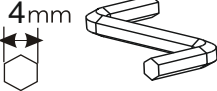
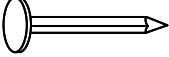
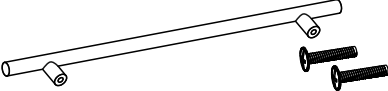
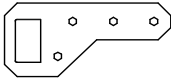
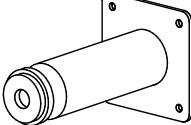
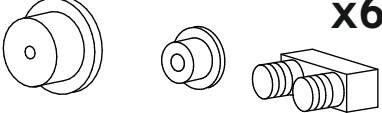
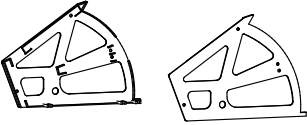
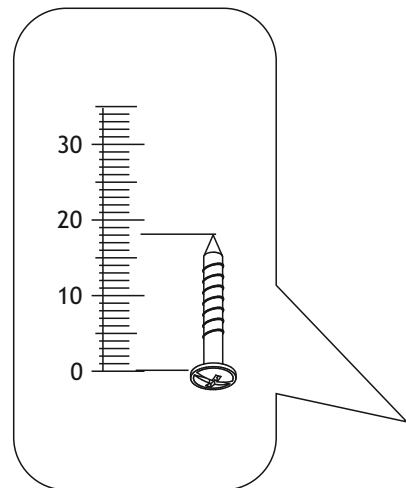

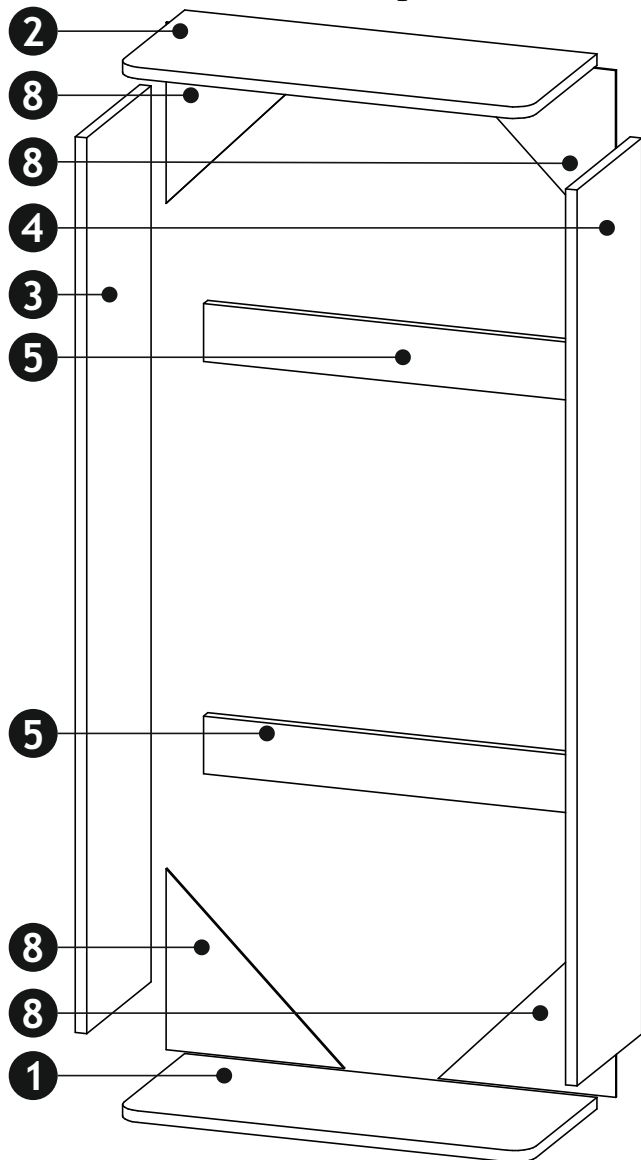
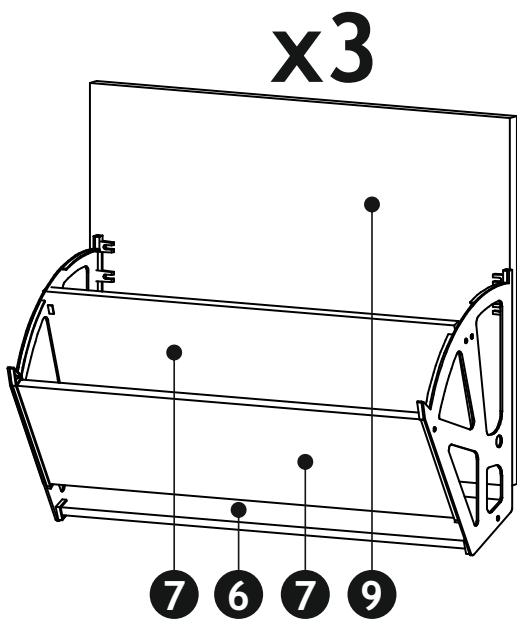
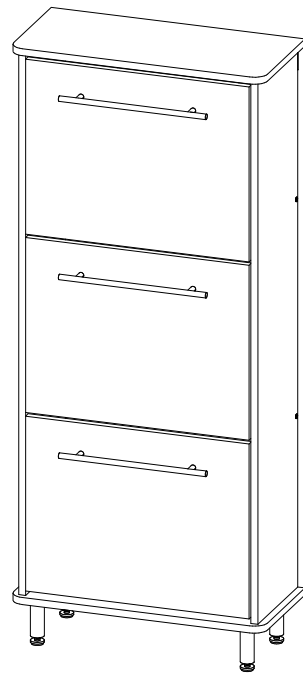


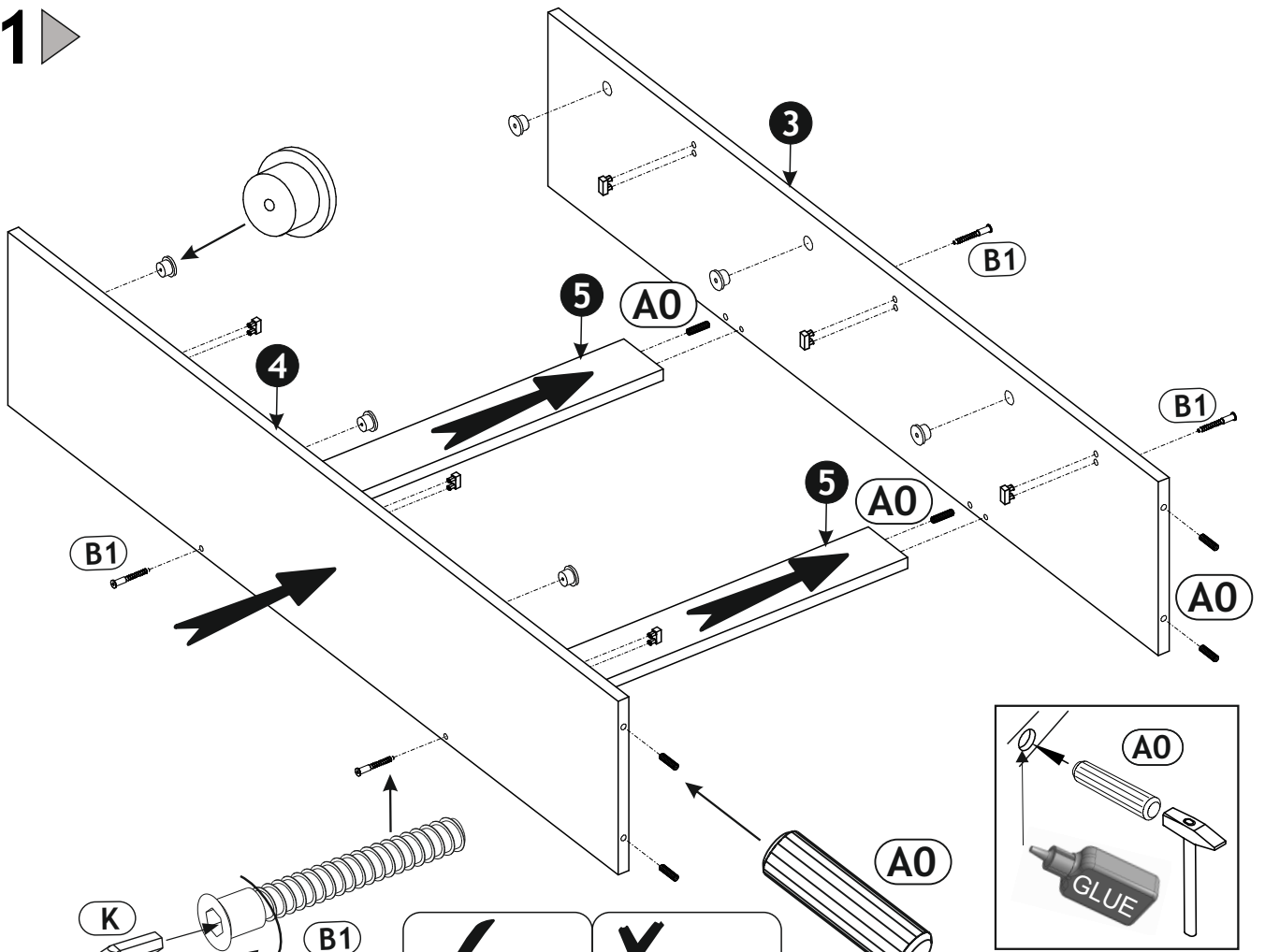
A0 8 x 32mm x8 	B0 x4 	B1 f 7 x 50 mm x8 
D2 3 x 30 mm x6 	D0 3.5 x 16 mm x18 	D10 4 x 16 mm x34 
D22 5 x 11 mm x6 	K 4mm x1 	T8 x20 
x3 	x2 	x4 
x6 	x3 	



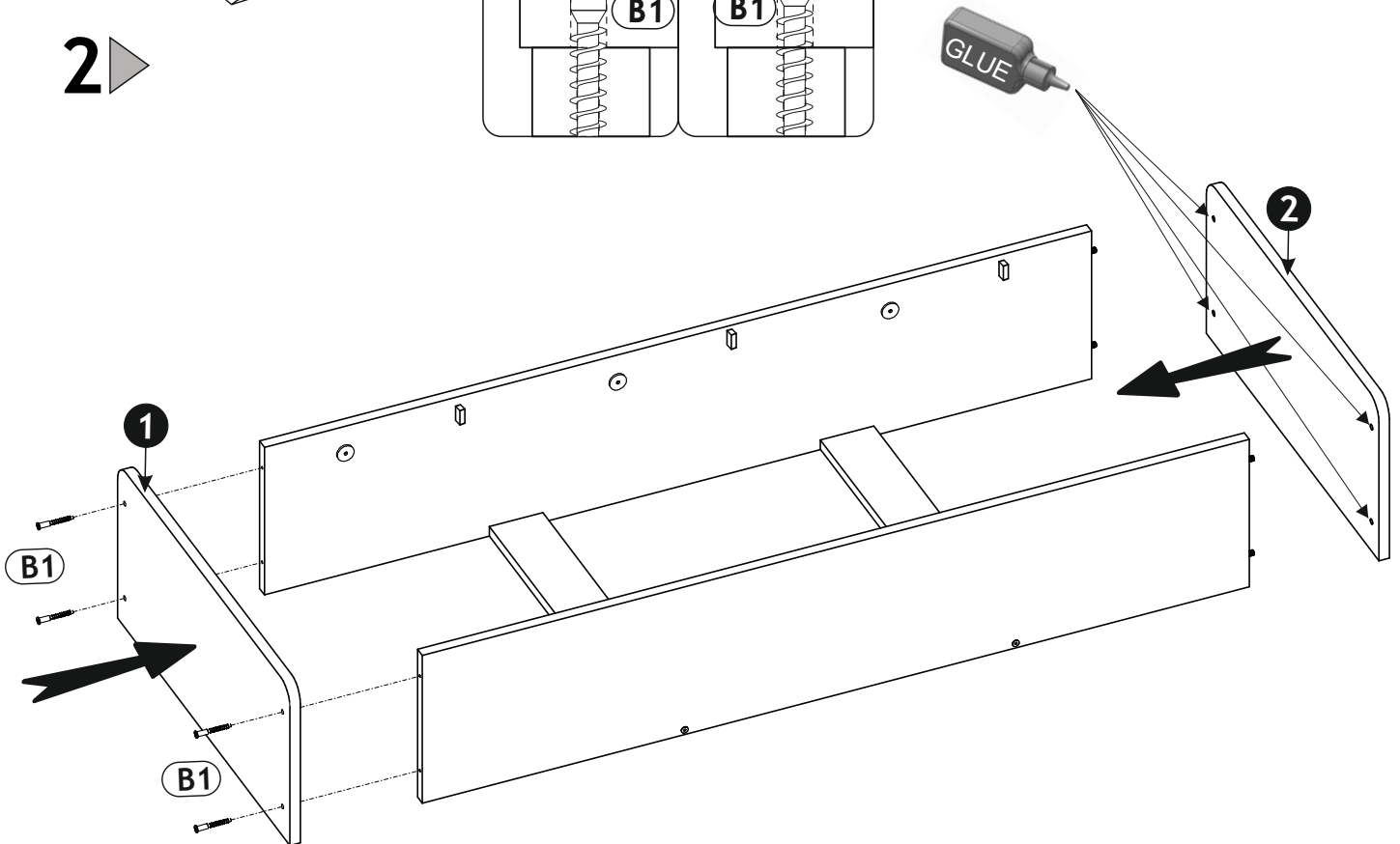
1	580	265	16	x1	1/2
2	580	265	16	x1	1/2
3	1239	250	16	x1	1/2
4	1239	250	16	x1	1/2
5	517	80	16	x2	1/2
6	504	90	16	x3	1/2
7	504	140	16	x6	1/2
8	250	250	2,5	x4	1/2
9	400	511	16	x3	2/2
					1/2



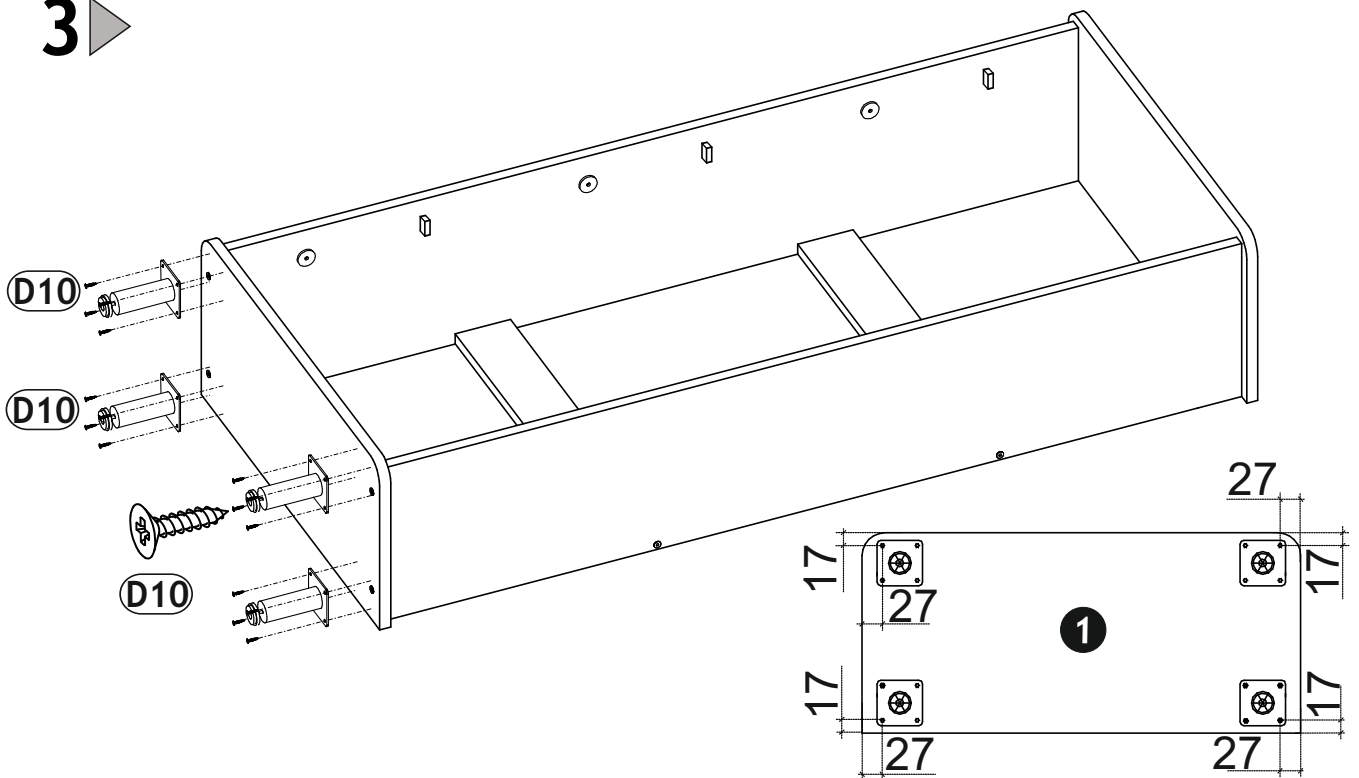
1 ▶



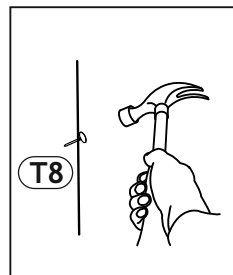
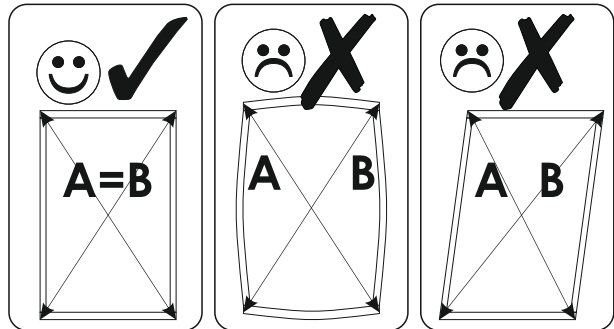
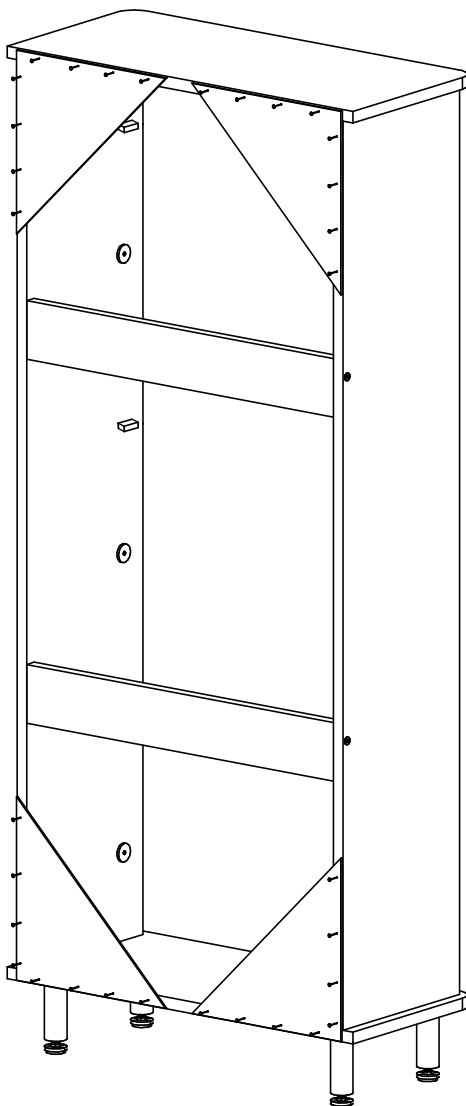
2 ▶

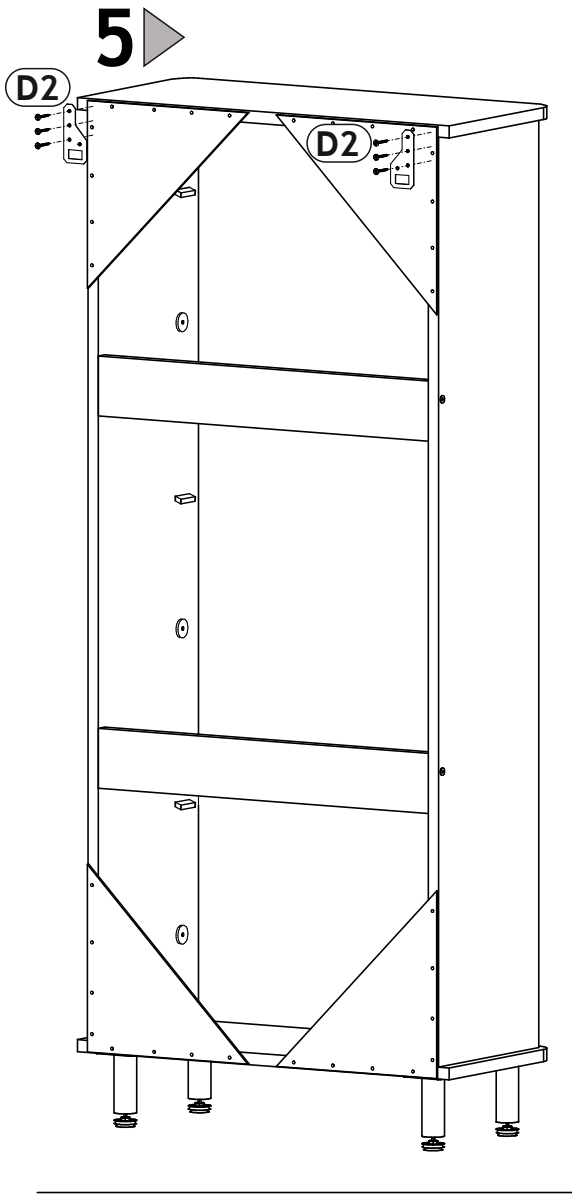


3 ▶

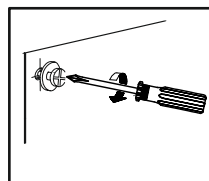
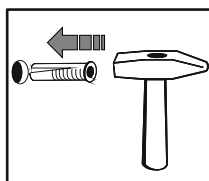
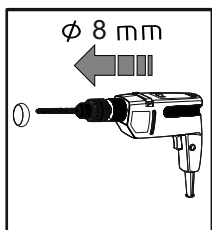
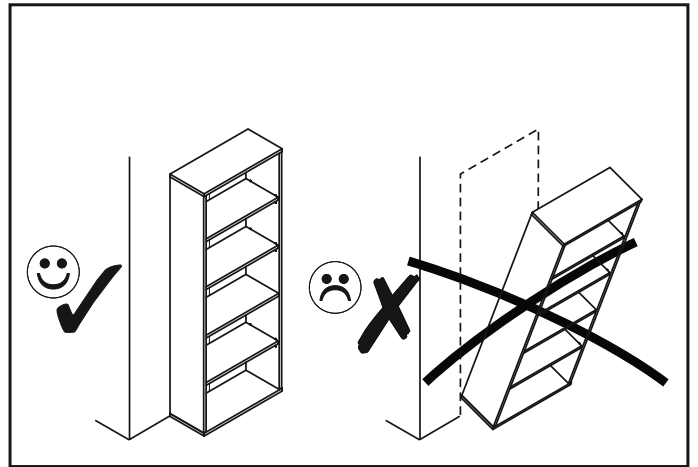
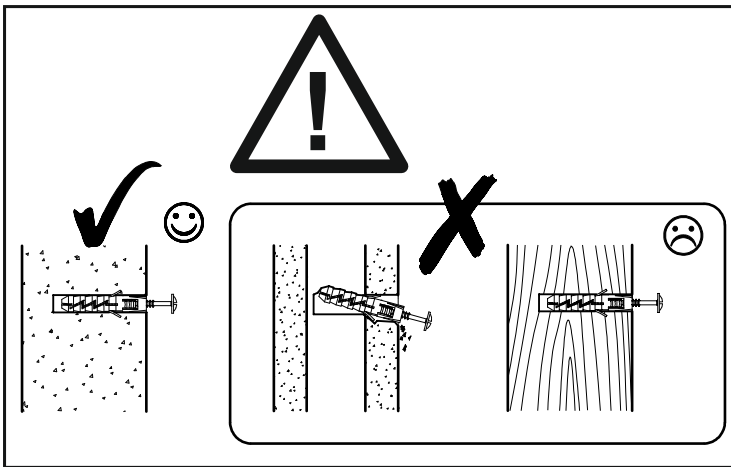
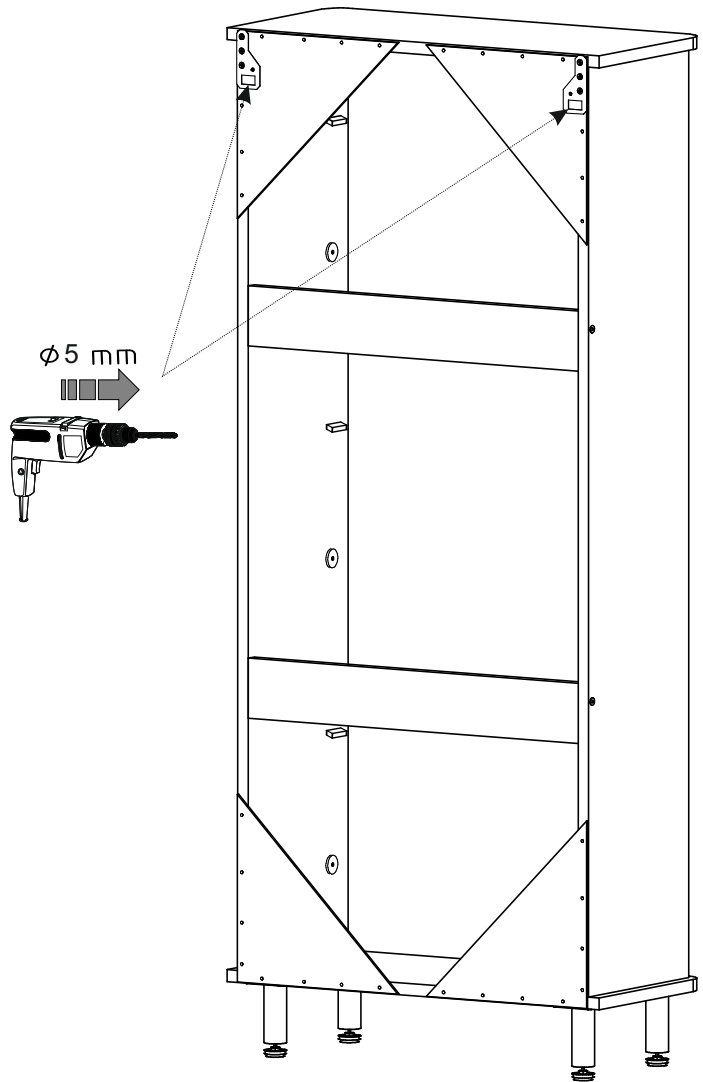
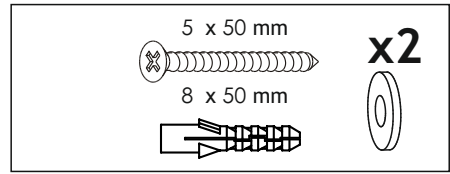


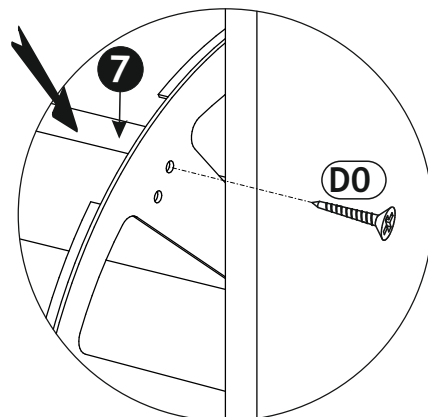
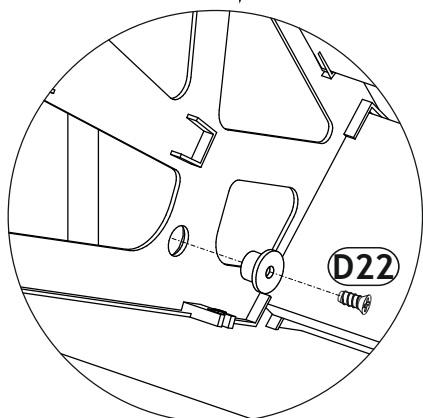
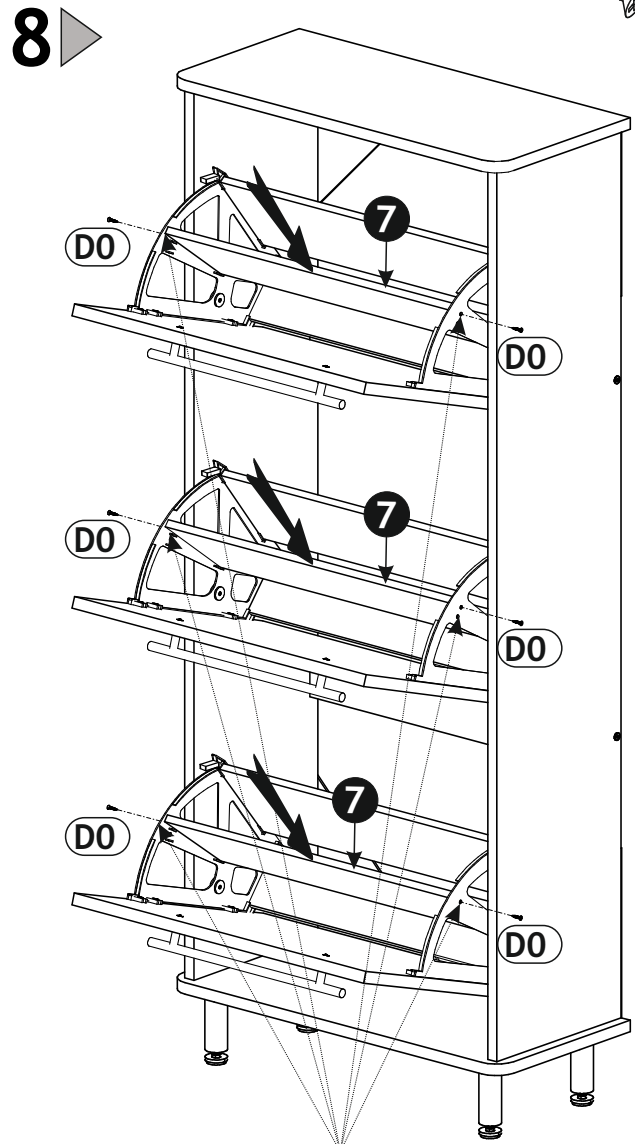
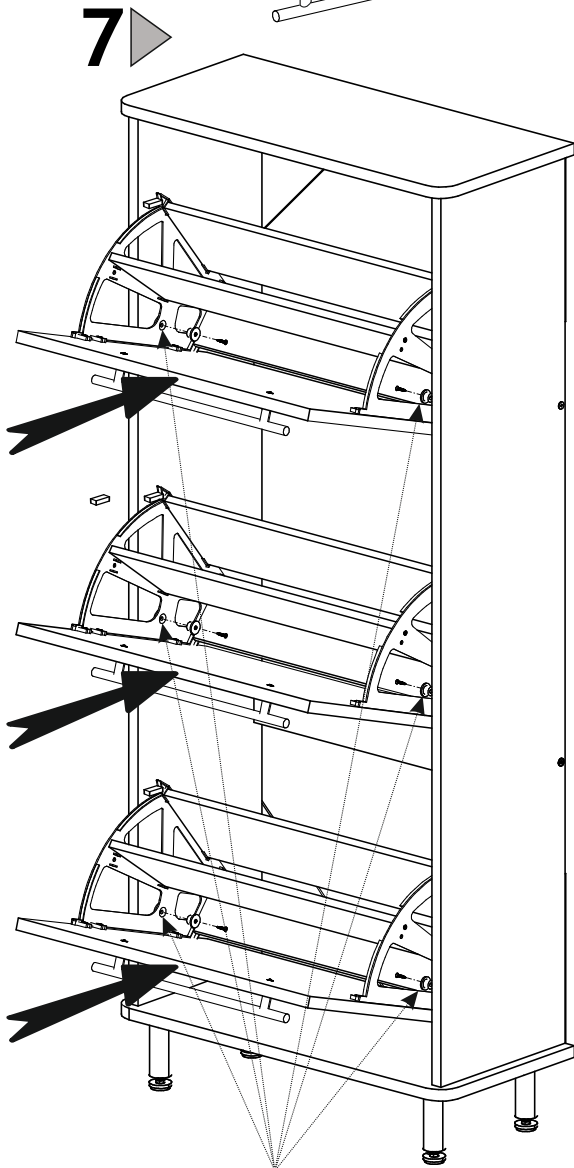
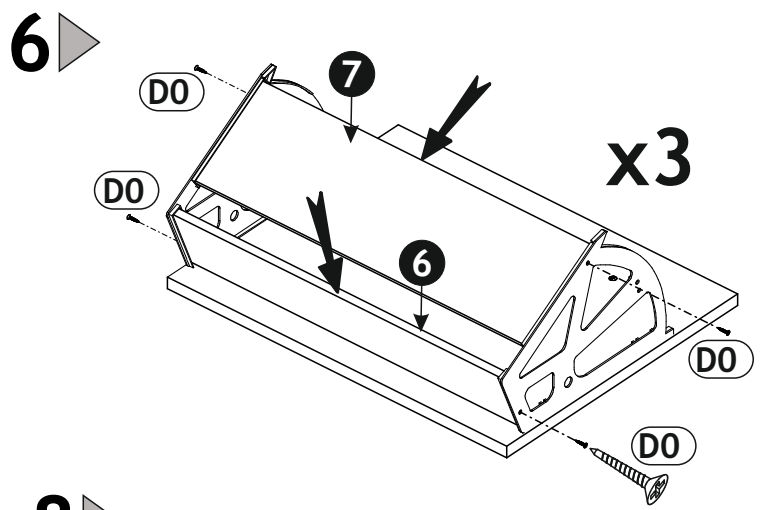
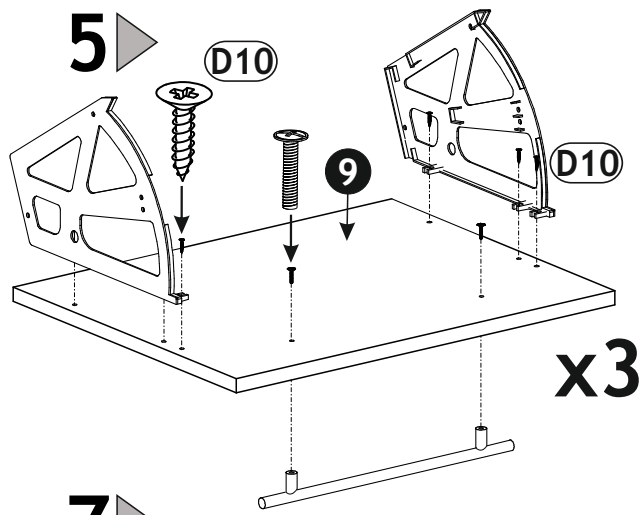
4 ▶





6





9 ▶

