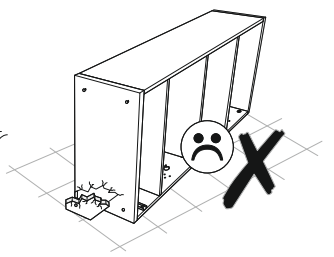
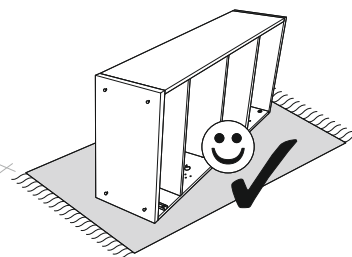
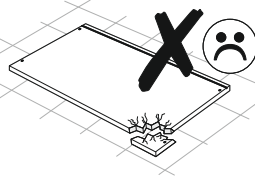
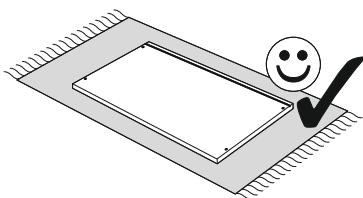
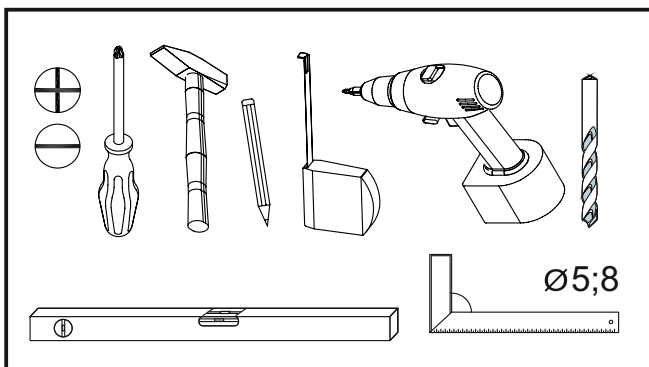
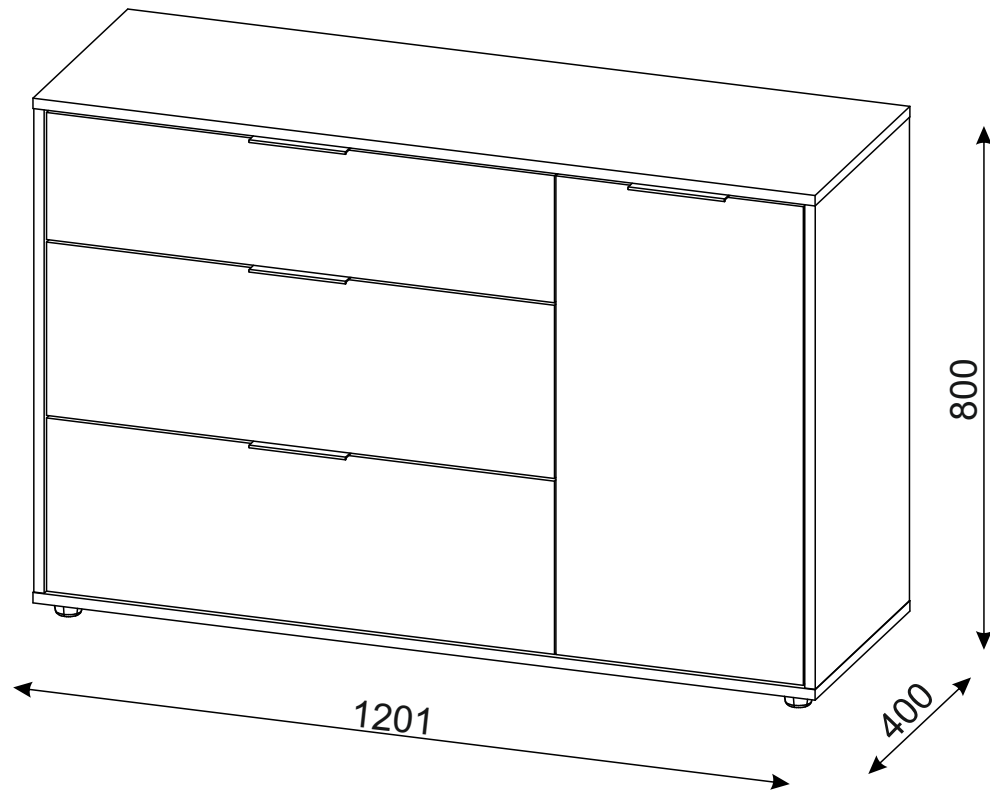
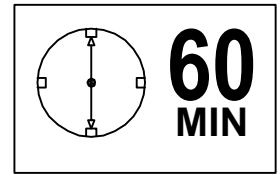
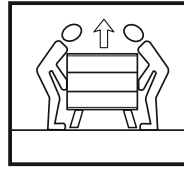
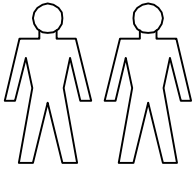
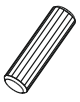







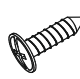
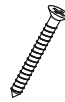

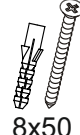





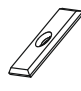


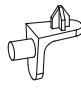


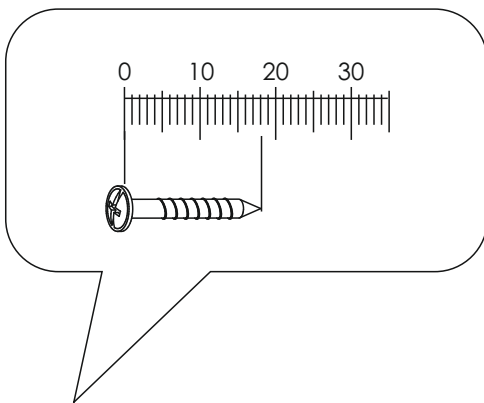


1200/1D3Dr




1200/1D3Dr

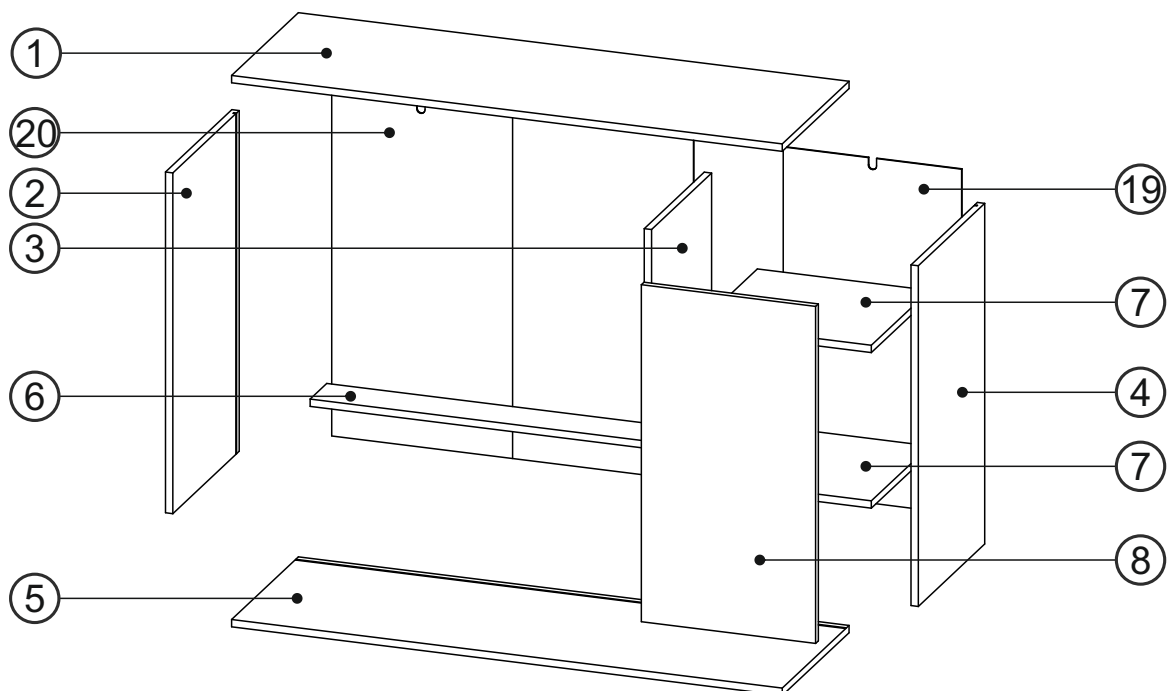
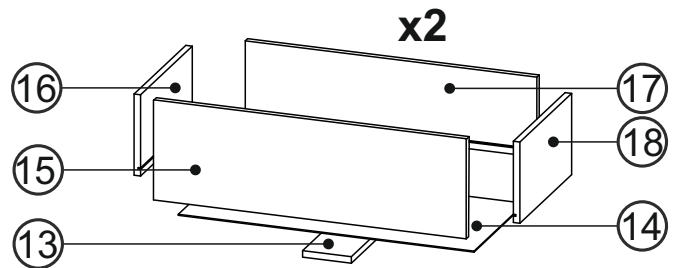
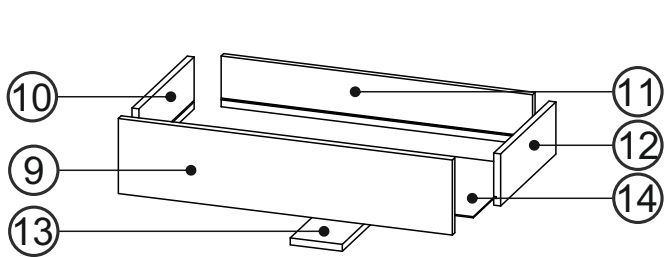
A0  ø8x30 x46	B0  ø 7mm x12	B1  ø7x50 x21	C0  ø16mm x14	C2  x23	C7  16mm x23	D0  3x15 x40	D5  3,5x16 x4	D8  3,5x13 x8	D12  4x25 x5	D21  5x13 x44
E0  8x50 x2	J4  x2	J6  x2	K  4mm x1	L43  x4	M1  x36	M3  x4	N7  L-350 x3	P0  x2	Q3  x8	T17  x5
U0  x8										














1200/1D3Dr

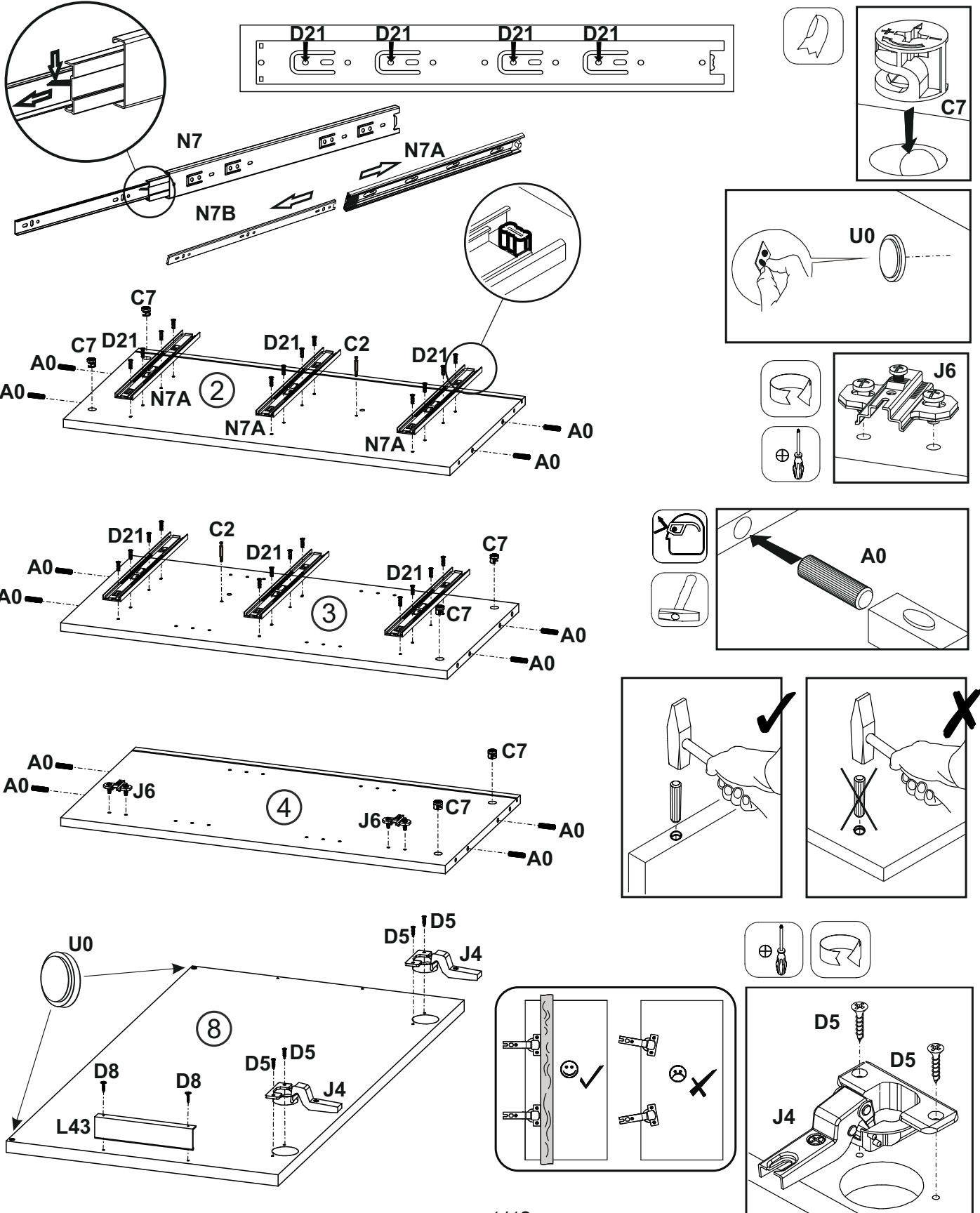
①	1201	400	16	x1	2/2
②	743	398	16	x1	2/2
③	743	360	16	x1	1/2
④	743	398	16	x1	2/2
⑤	1201	400	16	x1	2/2
⑥	776	100	16	x1	1/2
⑦	376	350	16	x2	2/2
⑧	735	380	16	x1	1/2
⑨	780	195	16	x1	1/2
⑩	350	140	16	x1	1/2
⑪	718	137	16	x1	1/2

⑫	350	140	16	x1	1/2
⑬	333,5	120	16	x3	1/2
⑭	728	344	3	x3	2/2
⑮	780	266	16	x2	1/2
⑯	350	200	16	x2	1/2
⑰	718	197	16	x2	1/2
⑱	350	200	16	x2	1/2
⑲	753	389	3	x1	2/2
⑳	753	789	3	x1	2/2
					1/2

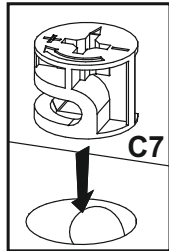


1

A0  ∅8x30 x12	C2  x2	C7  16mm x6	D5  3,5x16 x4	D8  3,5x13 x2	D21  5x13 x24	J4  x2	J6  x2	L43  x1	N7  L-350 x3	U0  x2
---	---	---	---	---	---	---	---	--	--	---



2



A0
∅8x30
x18

C2
16mm
x11

C7
16mm
x9

D8
3,5x13
x2

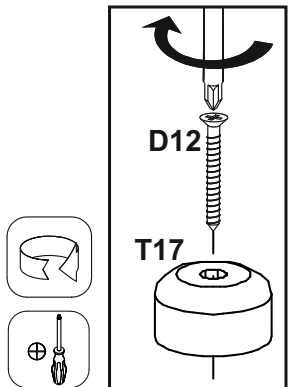
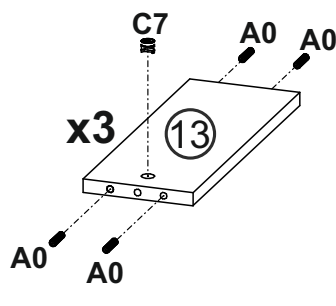
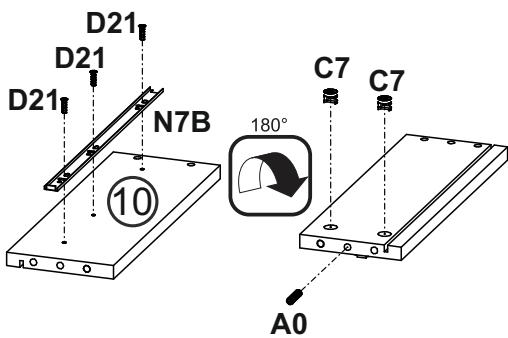
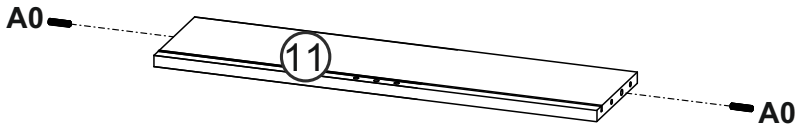
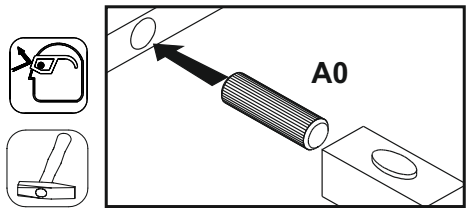
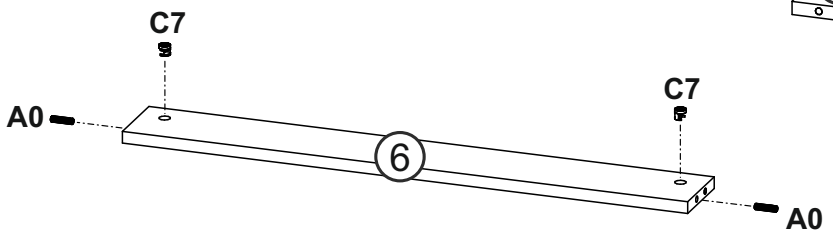
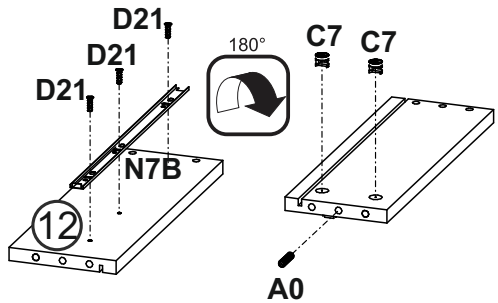
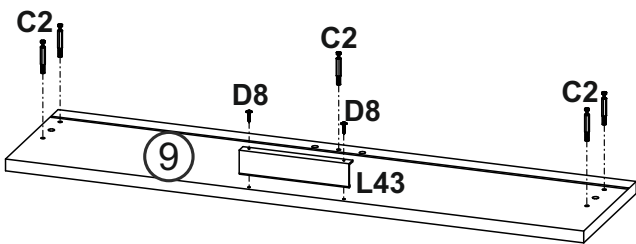
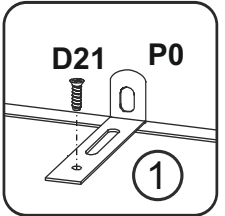
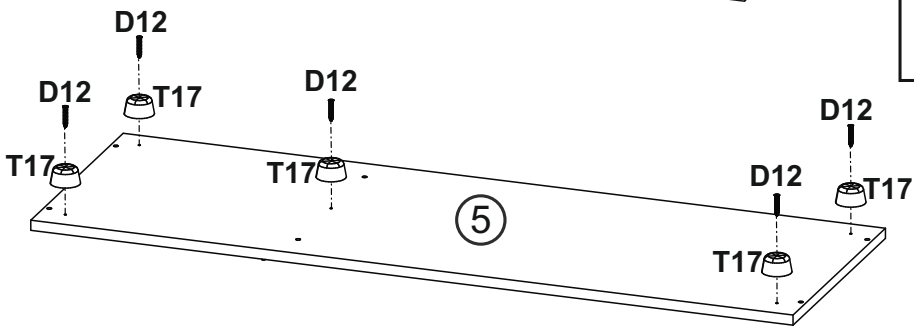
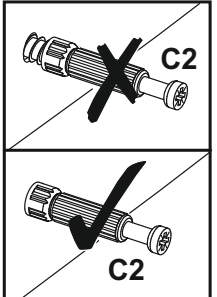
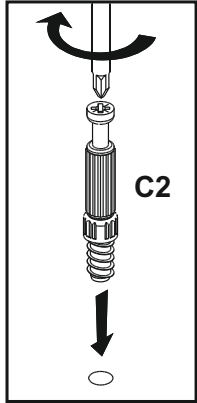
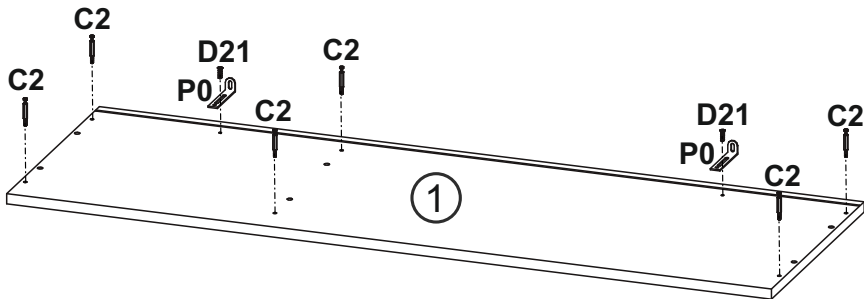
D12
4x25
x5

D21
5x13
x8

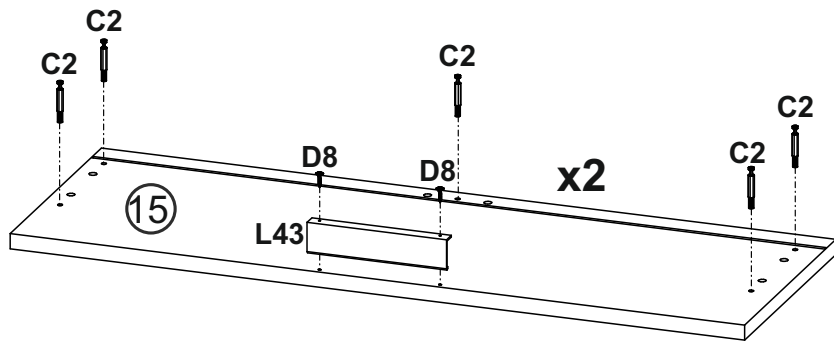
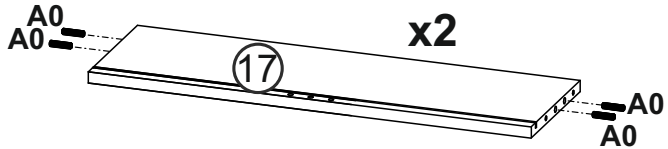
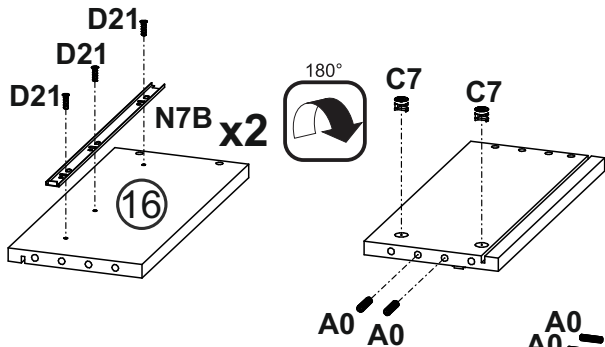
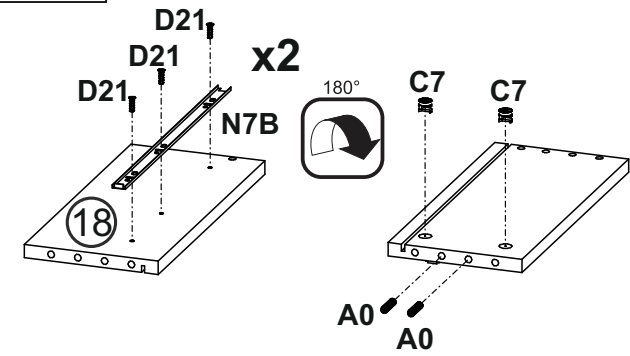
P0
x2

L43
x1

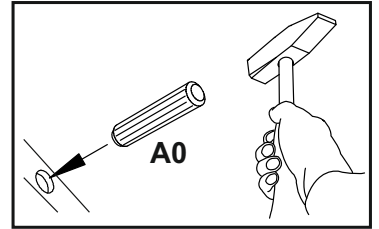
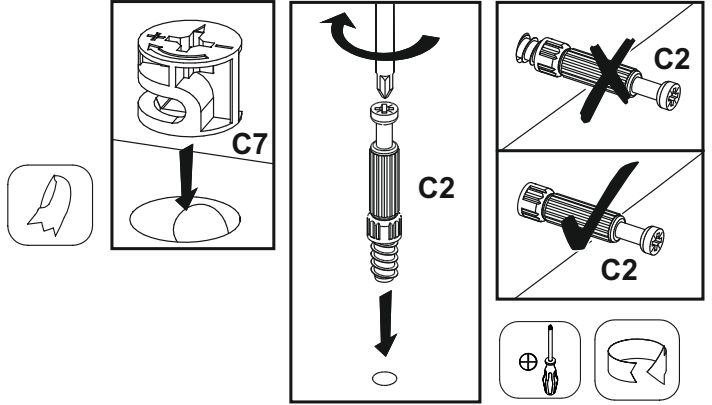
T17
x5



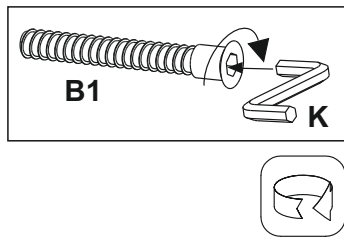
3



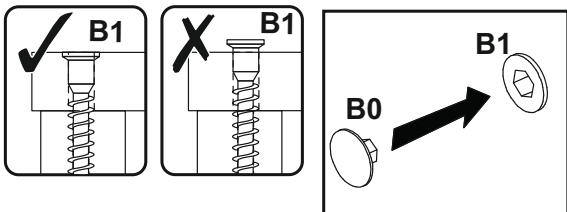
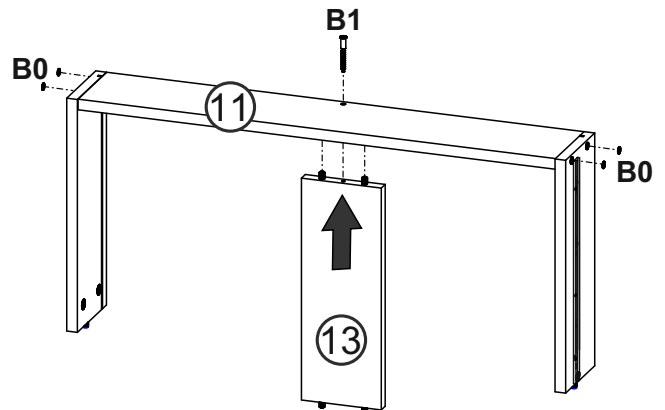
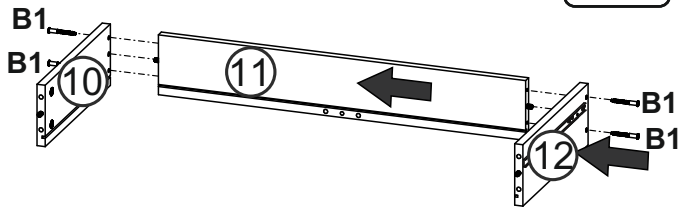
A0	C2	C7	D8	D21	L43
x16	x10	x8	x4	x12	x2

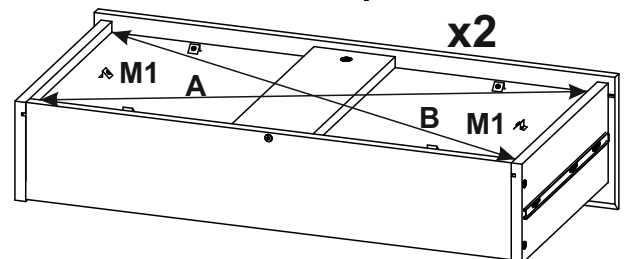
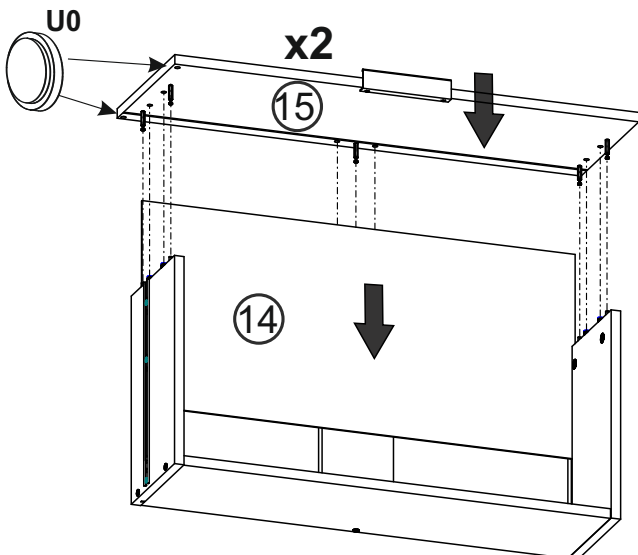
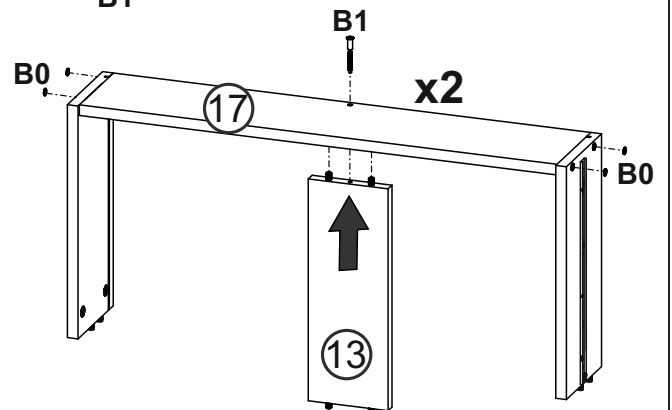
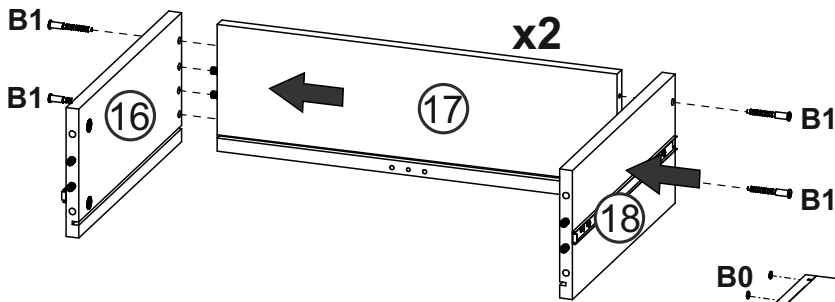
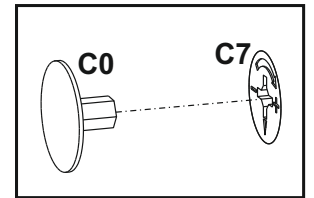
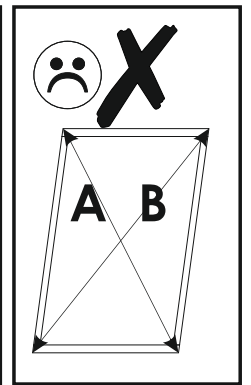
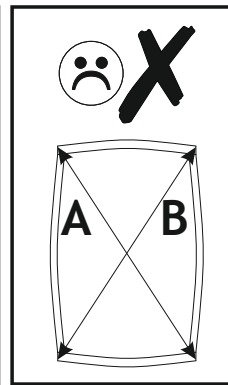
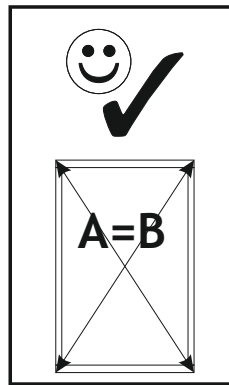
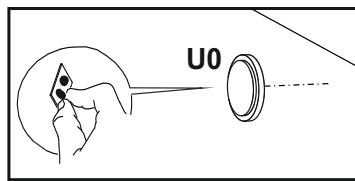
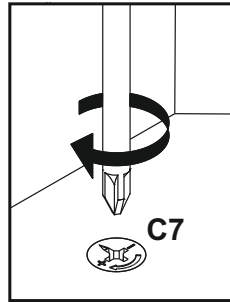
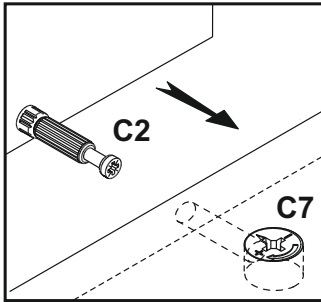
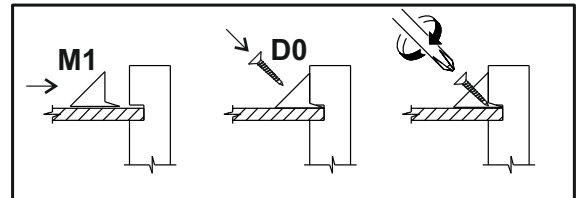
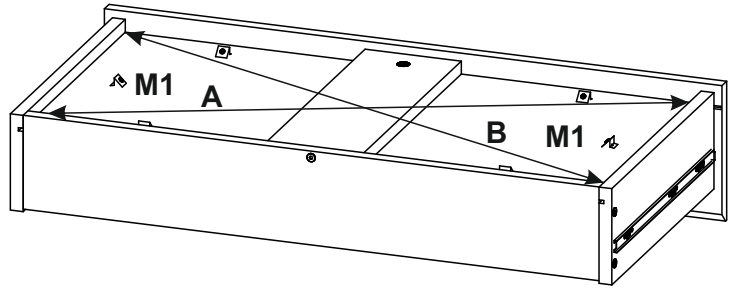
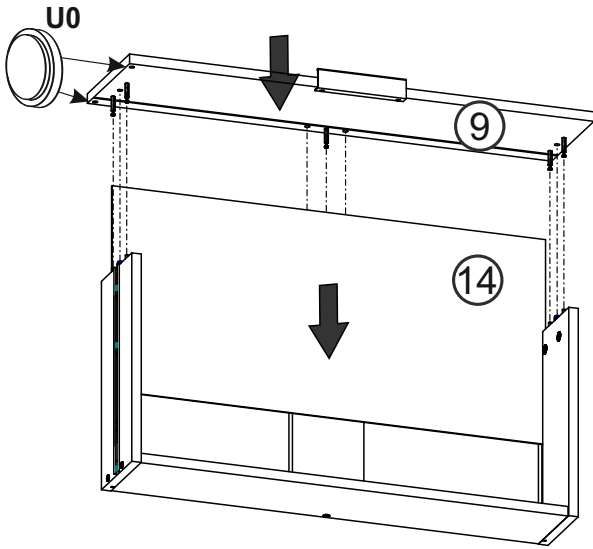


4

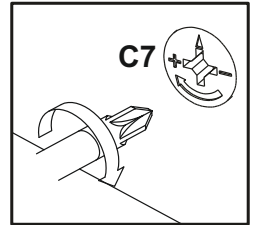
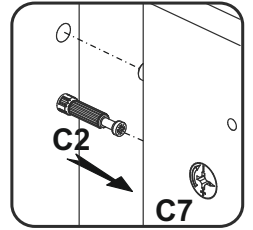
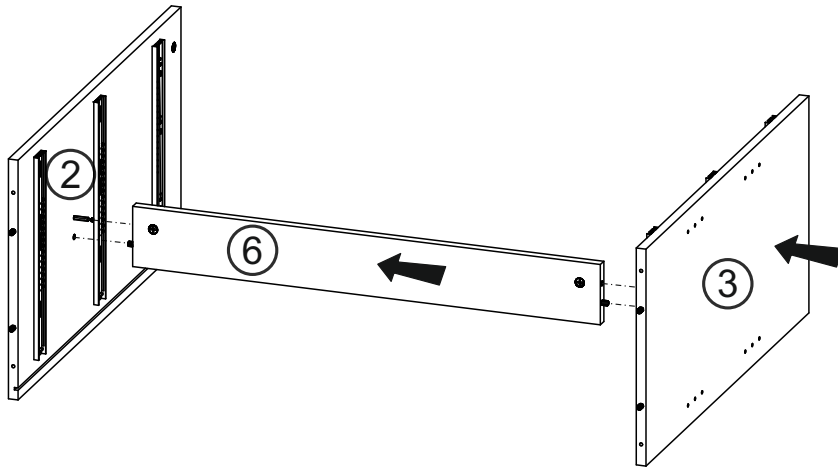


B0	B1	C0	D0	K	M1	U0
x12	x15	x12	x18	x1	x18	x6

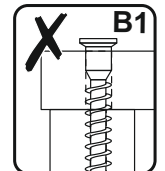
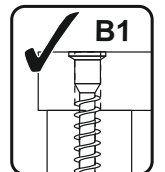
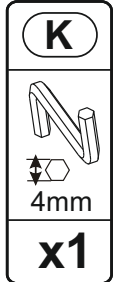
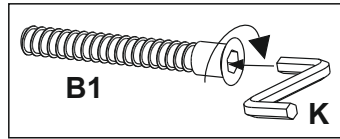
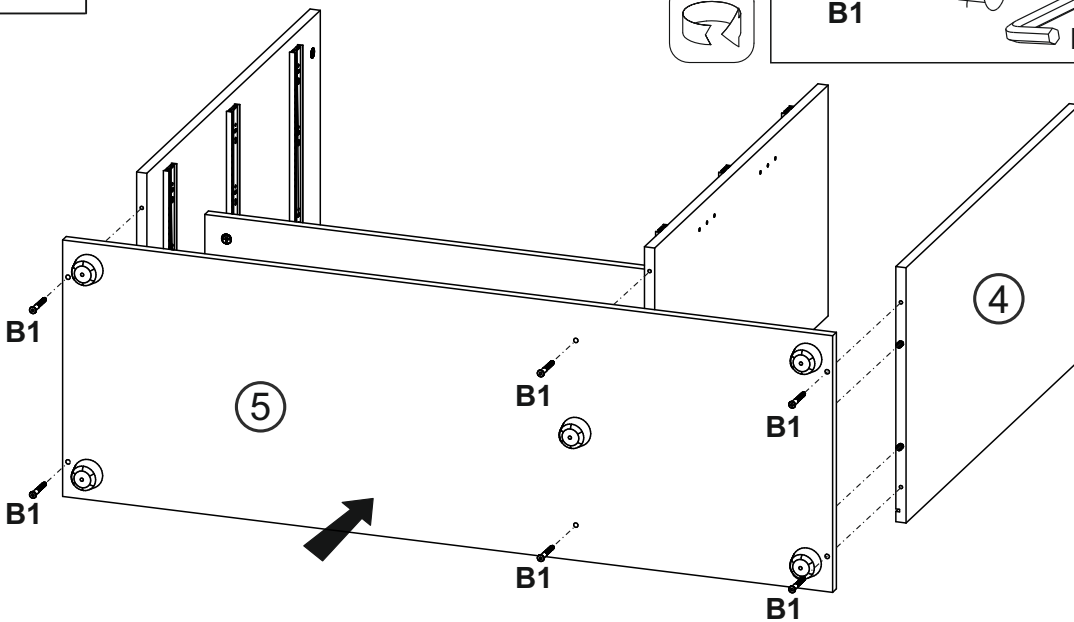




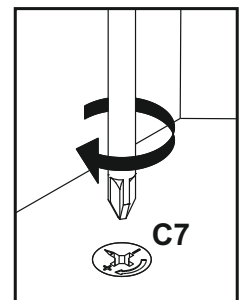
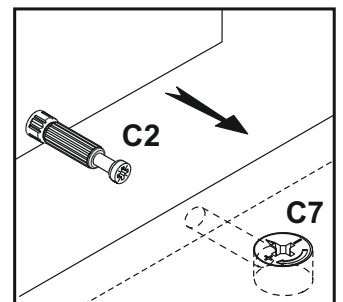
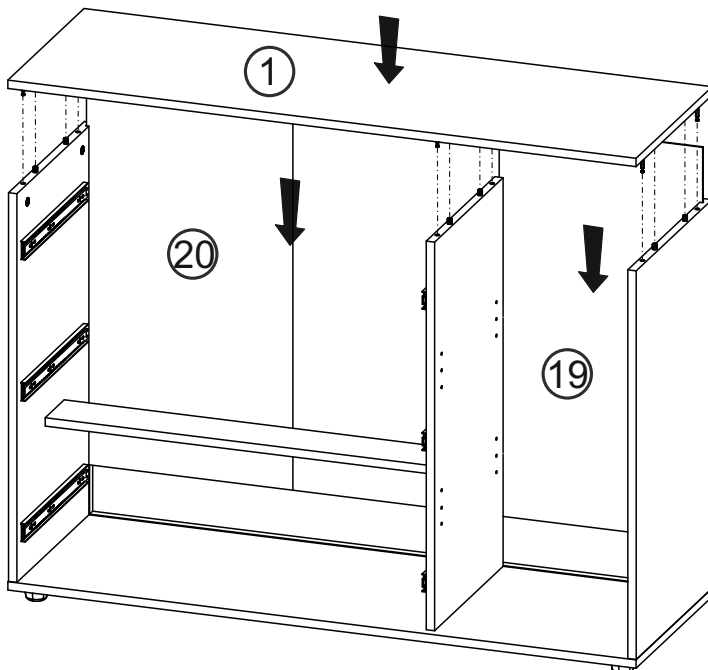
5



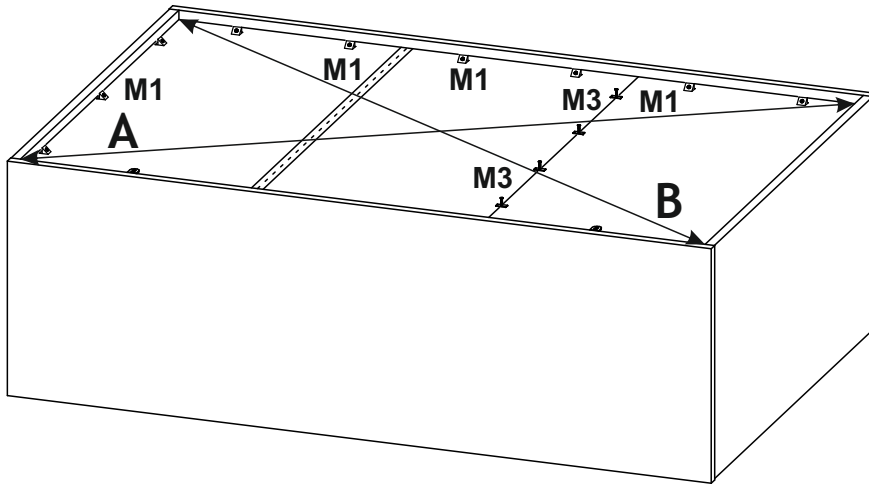
6



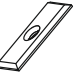


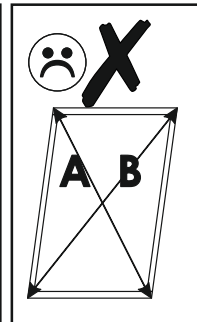
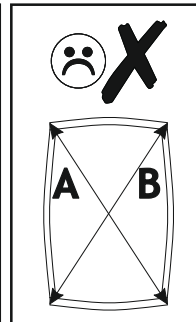
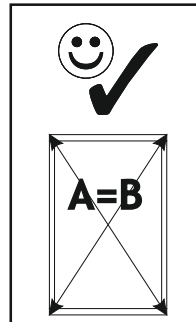
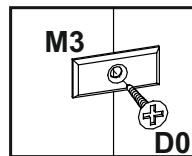
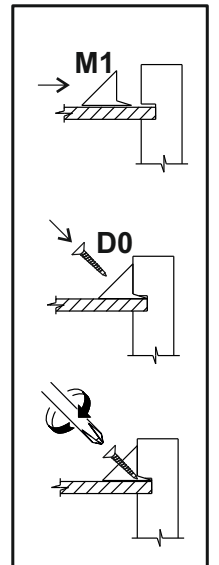
7



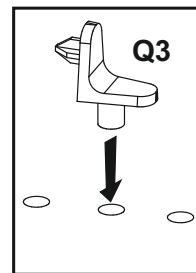
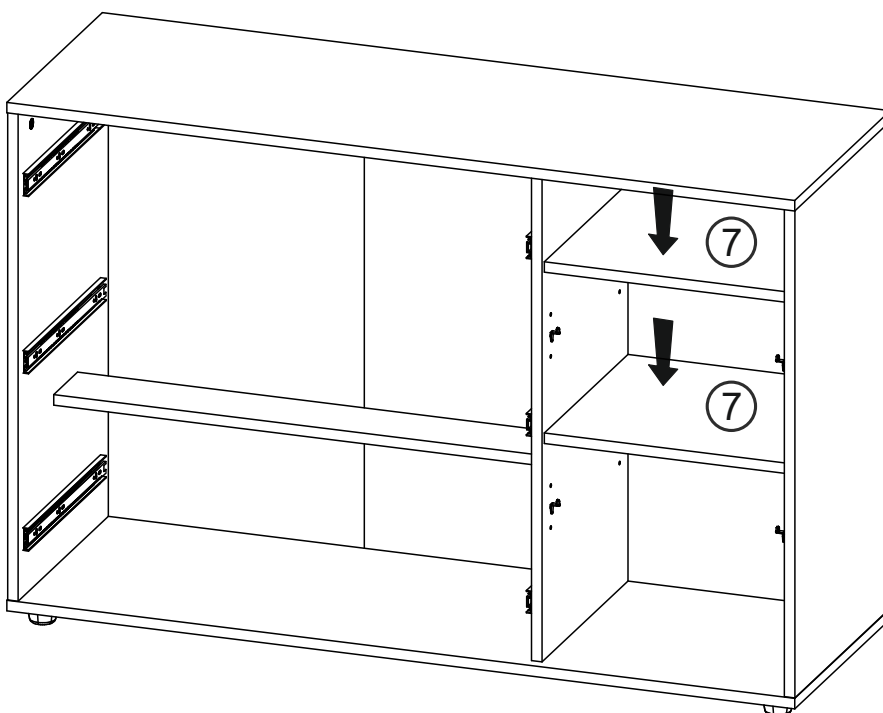
8

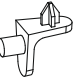


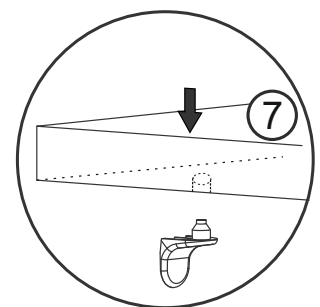
D0	M1	M3
		
3x15		
x22	x18	x4



9



Q3

x8



10

