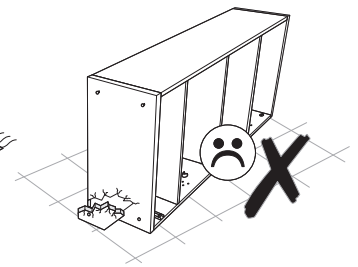
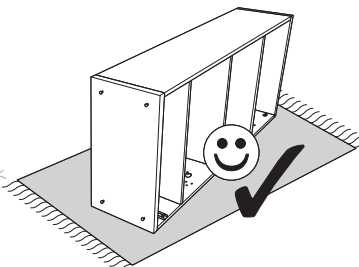
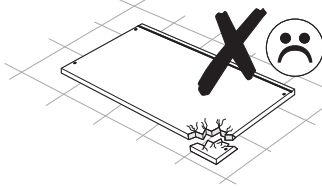
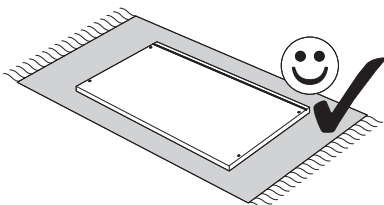
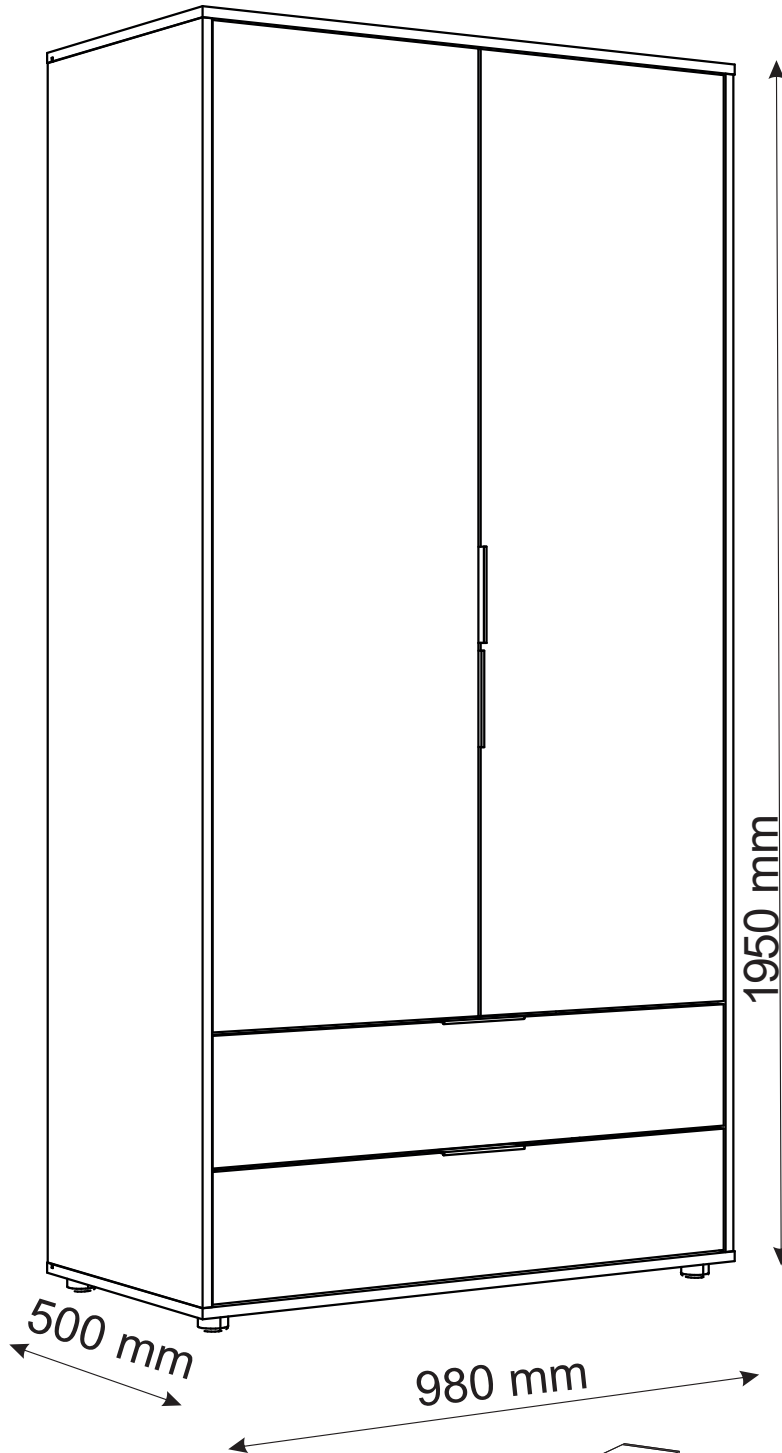
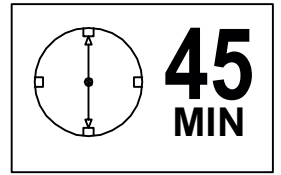
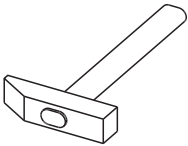
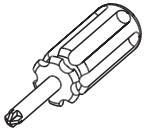
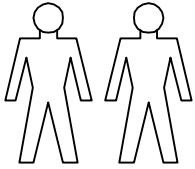







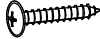
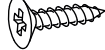
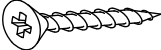

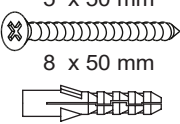
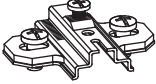
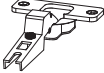

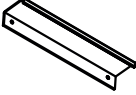

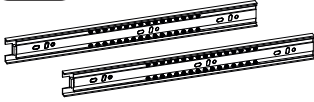
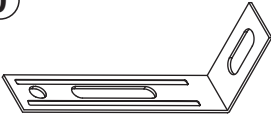


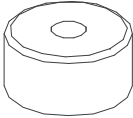

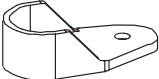



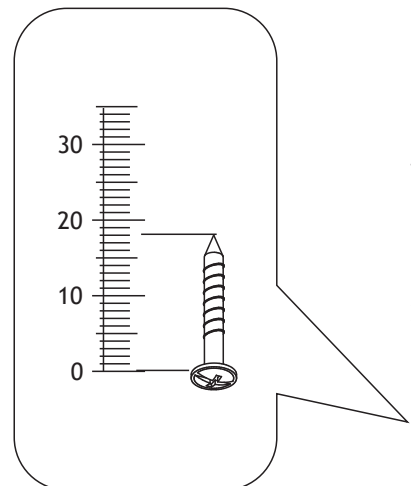
Wardrobe 2D 2Dr



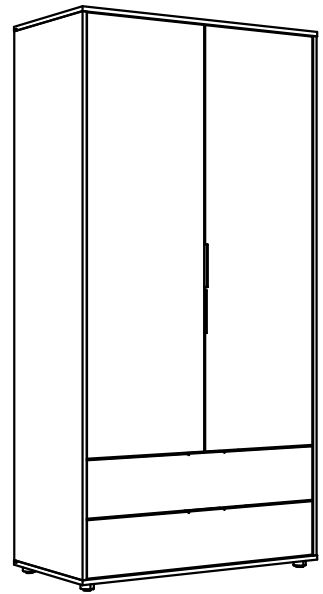
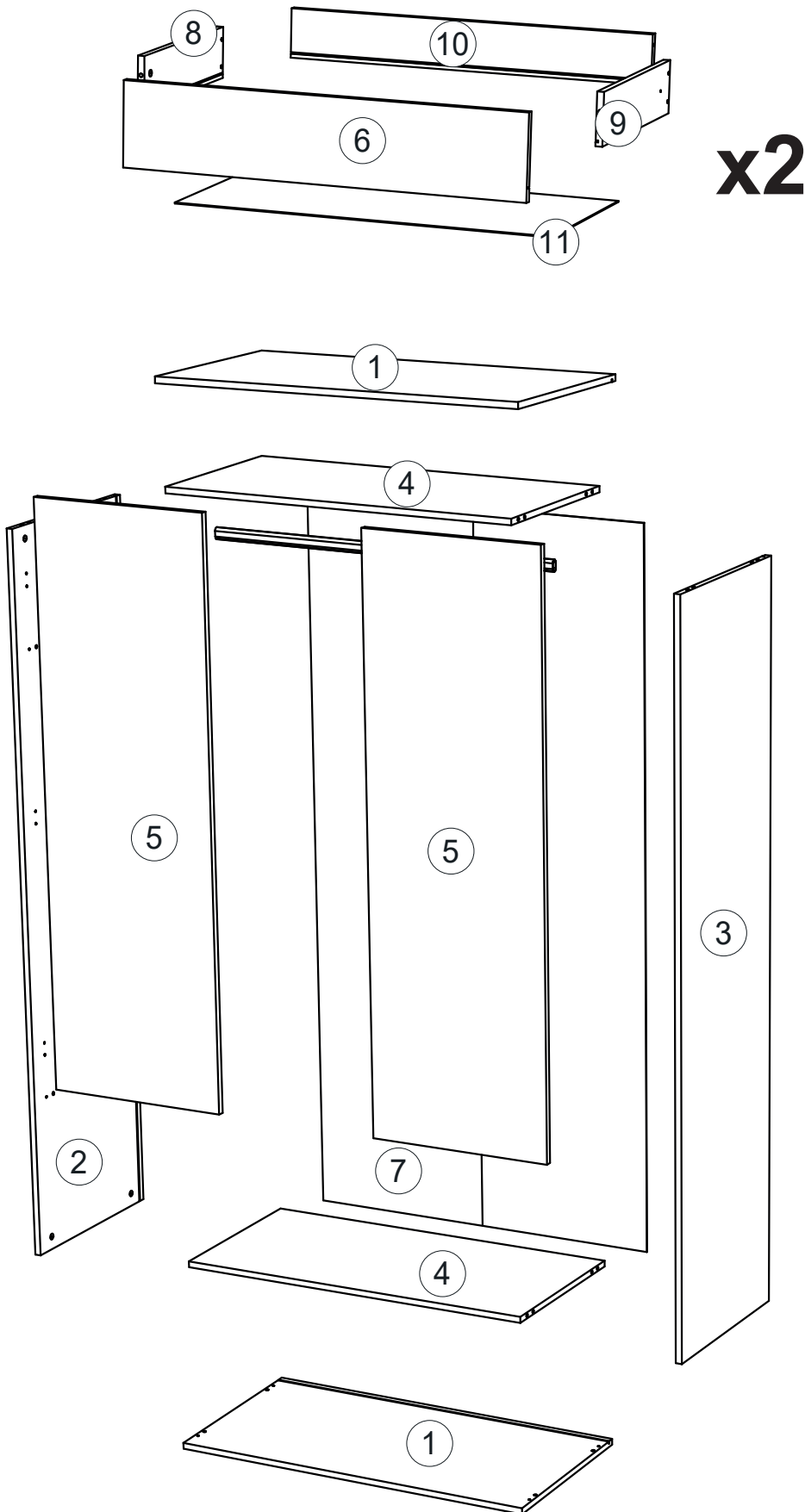
Wardrobe 2D 2Dr


MM

A0/1 8 x 30mm x20 	B0  x8	B1 f 5 x 50 mm x8 
C0  x12	C2  x20	C7 16mm  x20
D0 3 x 15 mm x56 	D8 3.5 x 13 mm x8 	D10 4 x 16 mm x12 
D12 4 x 25 mm x5 	D21 5 x 13 mm x24 	E0 5 x 50 mm 8 x 50 mm x2 
J6  x6	J4  x6	K 4mm  x1
L43  x4	M1  x40	N32 L-450 x2 
P0  x2	P94  x2	U0  x4
T17  x5	D36 3.5 x 16 mm x8 	
O0/2  x2	S0/2  x1 L - 942 mm	

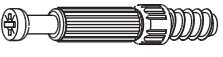




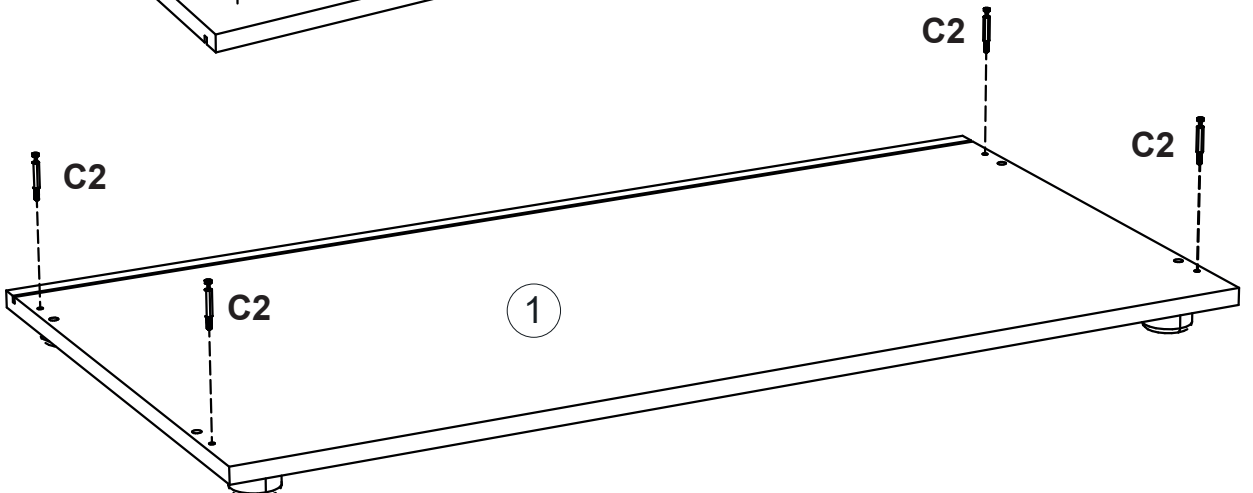
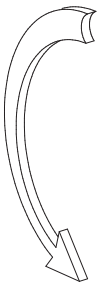
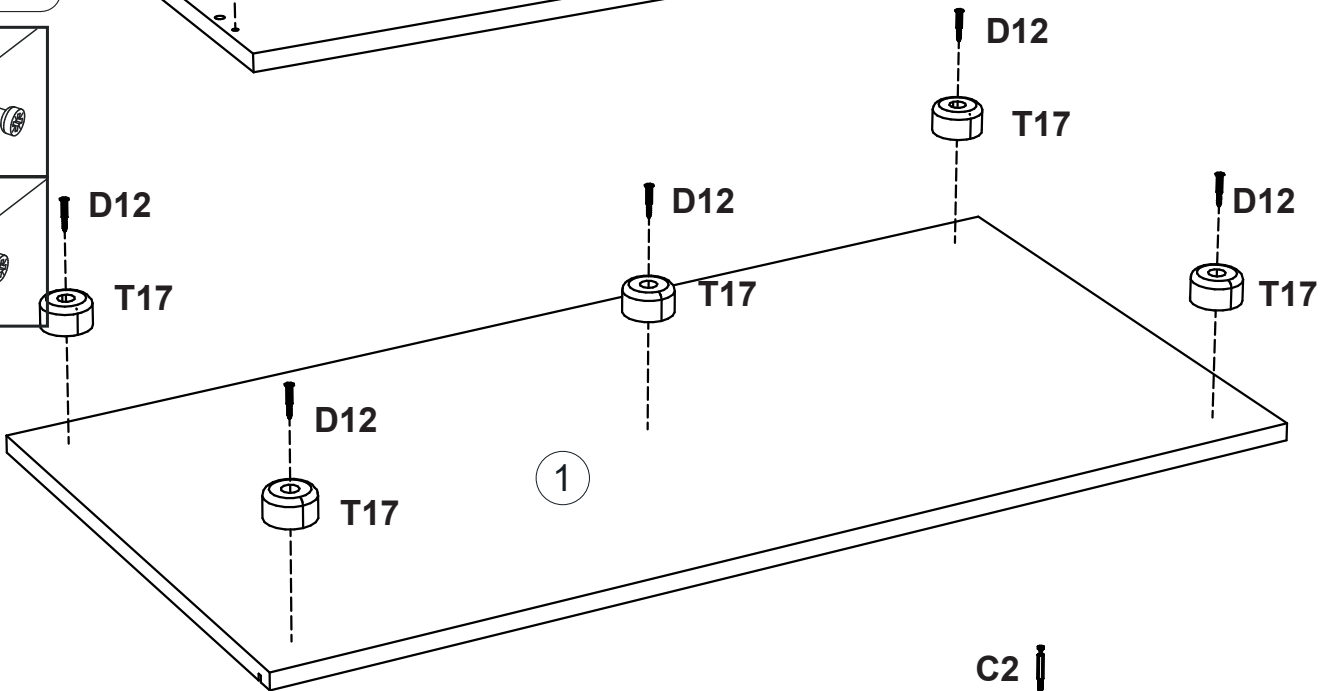
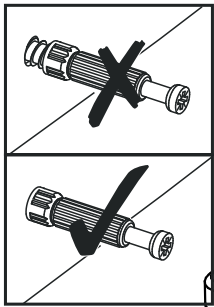
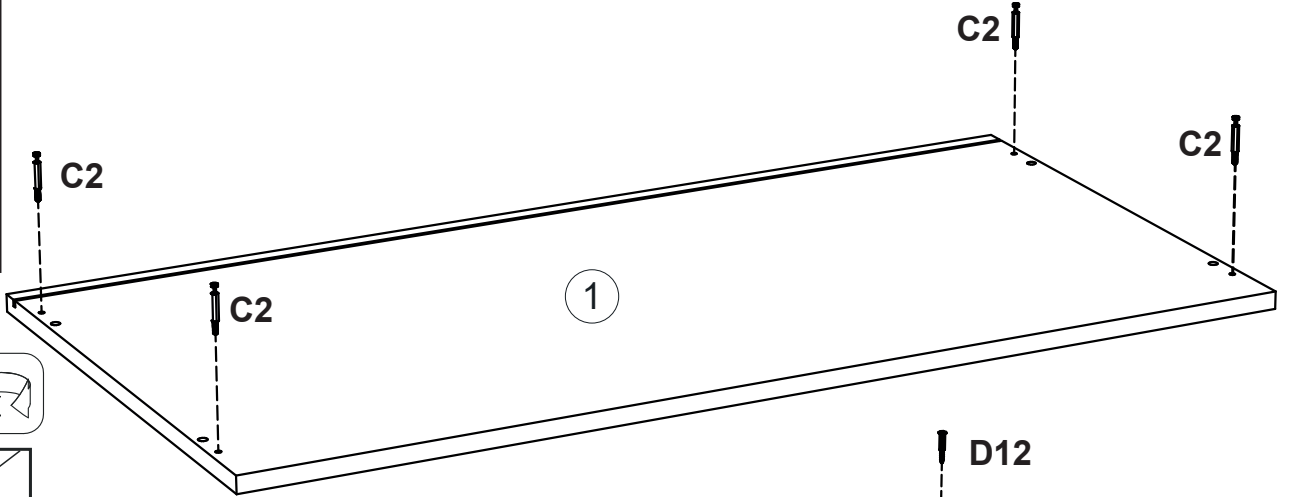
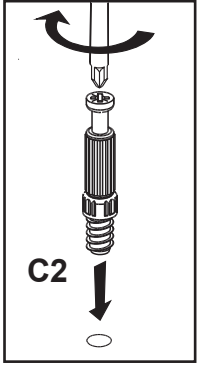
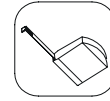
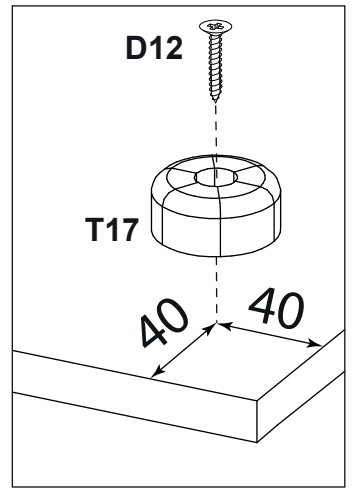
Wardrobe 2D 2Dr







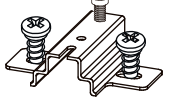


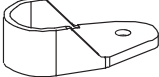
①	980	500	16	x2	2/2
②	1893	498	16	x1	2/2
③	1893	498	16	x1	2/2
④	946	459	16	x2	1/2
⑤	1489	470	16	x2	1/2
⑥	943	196	16	x2	1/2
⑦	1903	956	3	x1	2/2
⑧	450	120	16	x2	1/2
⑨	450	120	16	x2	1/2
⑩	888	117	16	x2	1/2
⑪	898	443	16	x2	1/2
					1/2

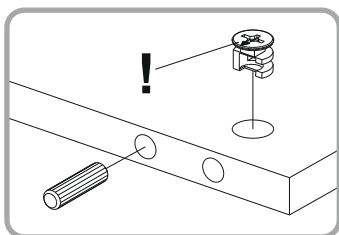
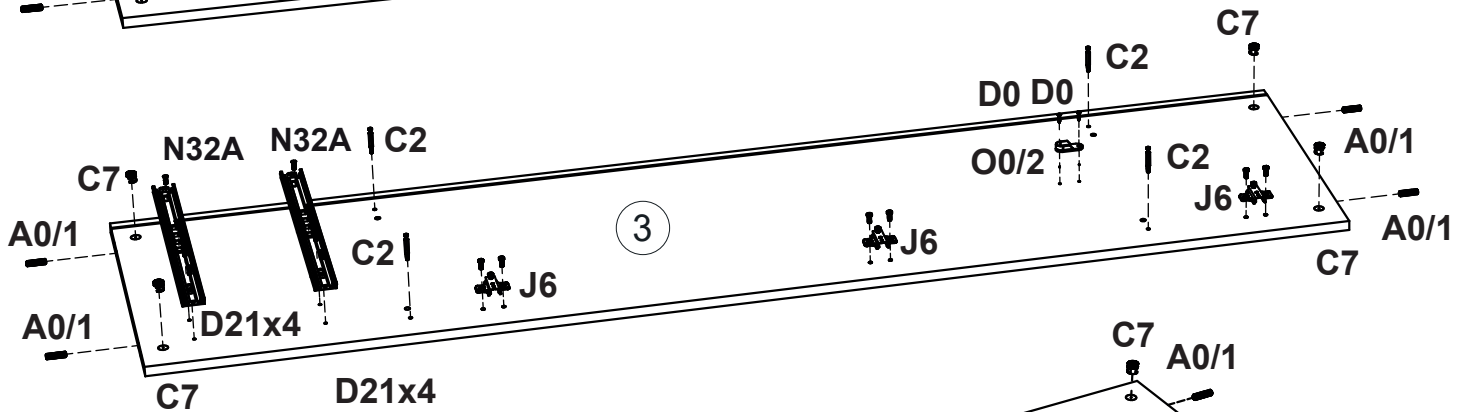
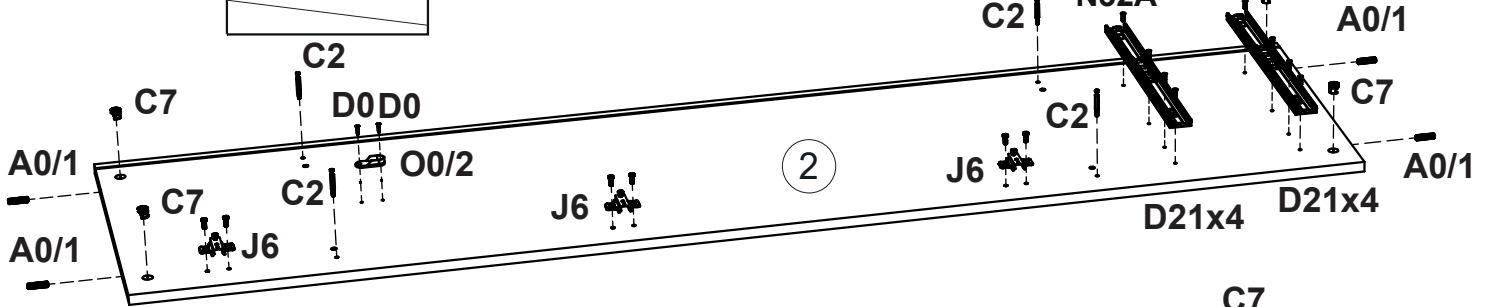
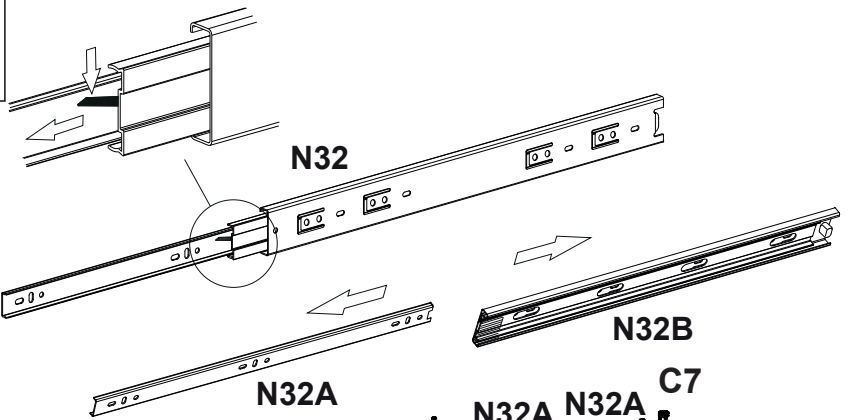
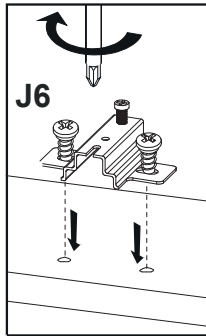
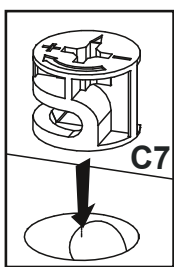
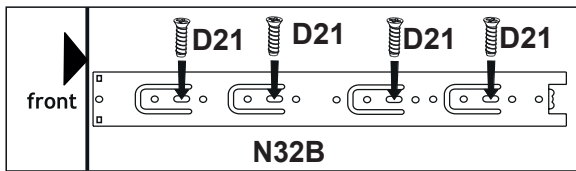
1

C2  x8	D12  x5
T17  x5	

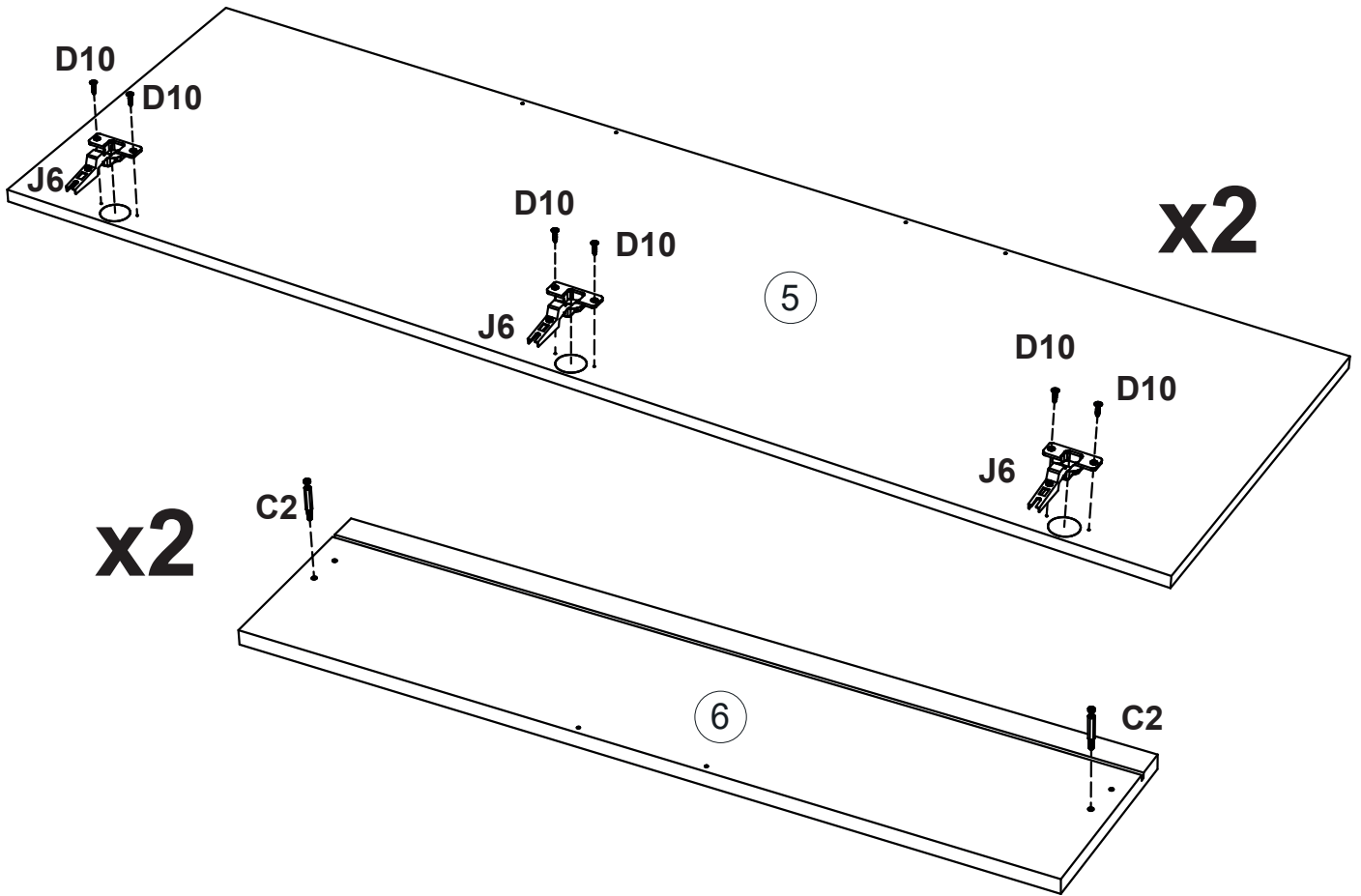
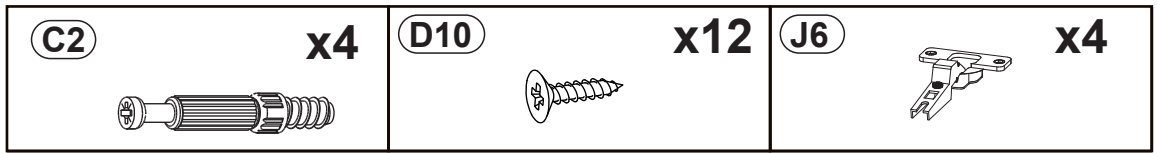


2 ▶

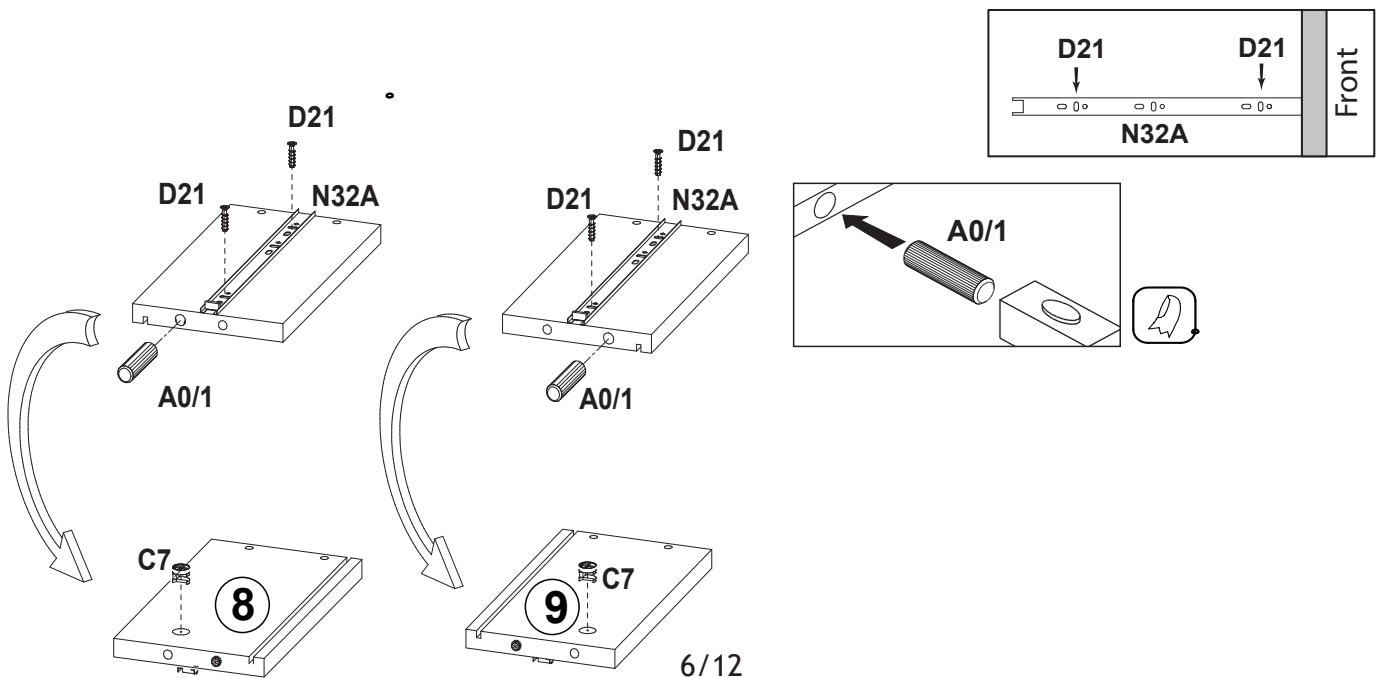
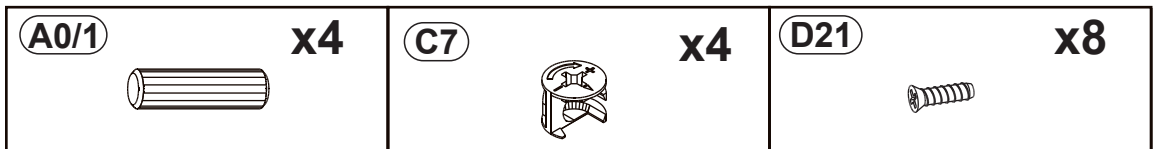
A0/1 	x16	C2 	x8	C7 	x16
D21 	x16	J6 	x6	N32 	x2
D0 	x4	O0/2 	x2		





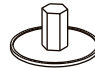

3 ▶

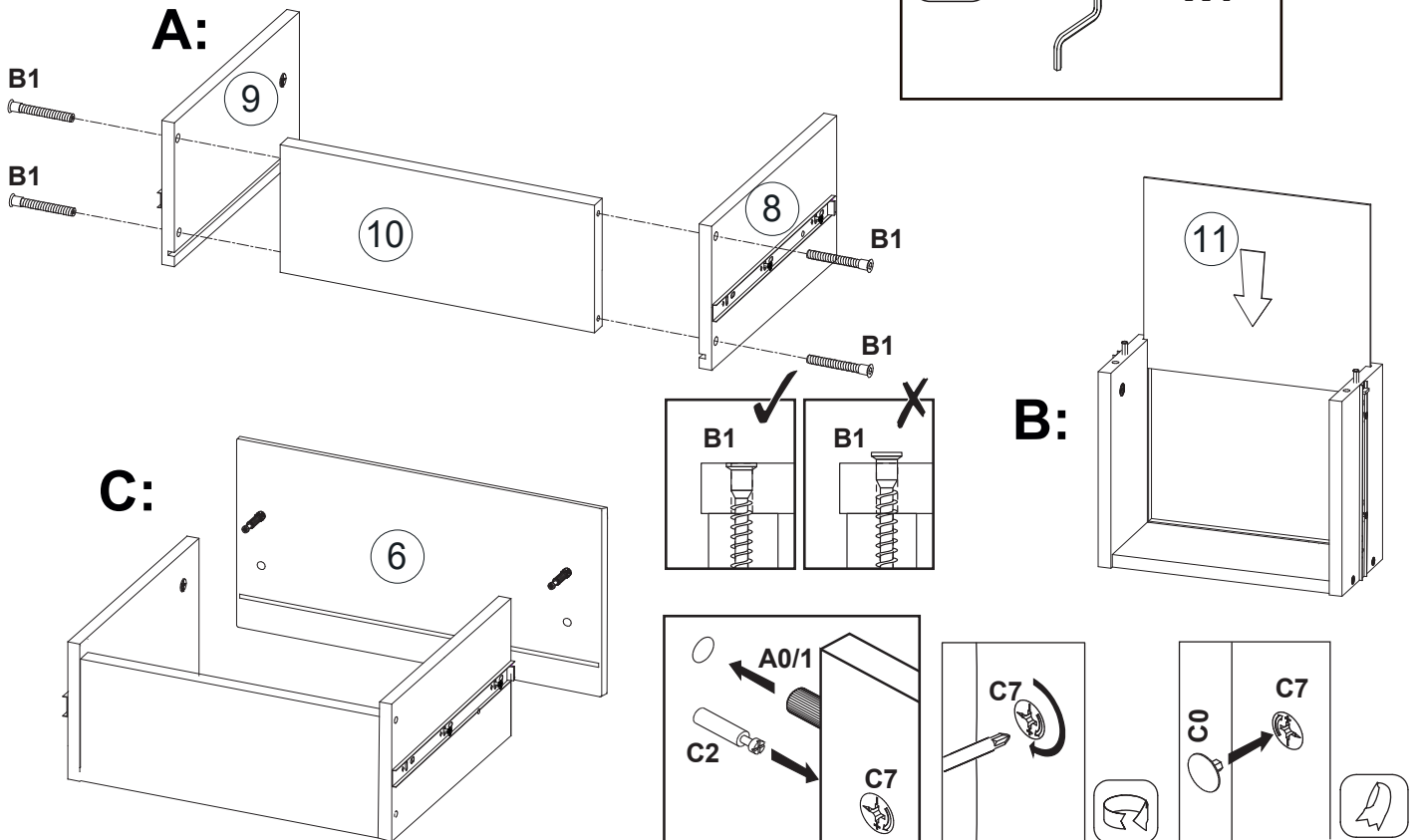


4 ▶ **x2**






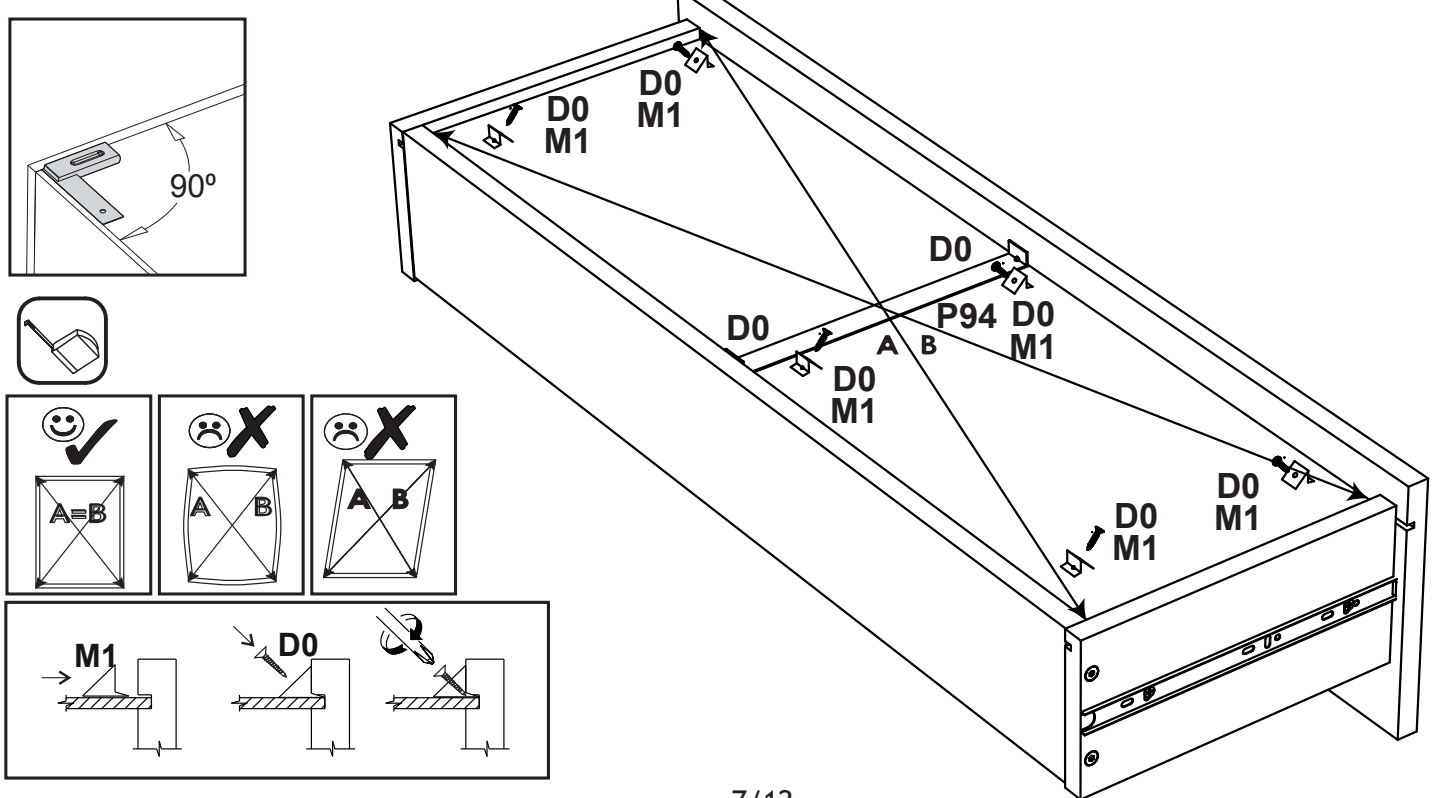
5 **x2**

B1		x8	B0		x8	C0		x4	
							K		x1

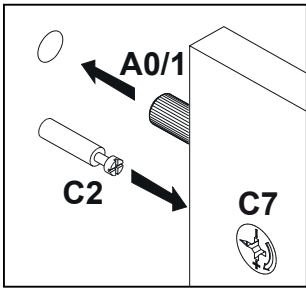
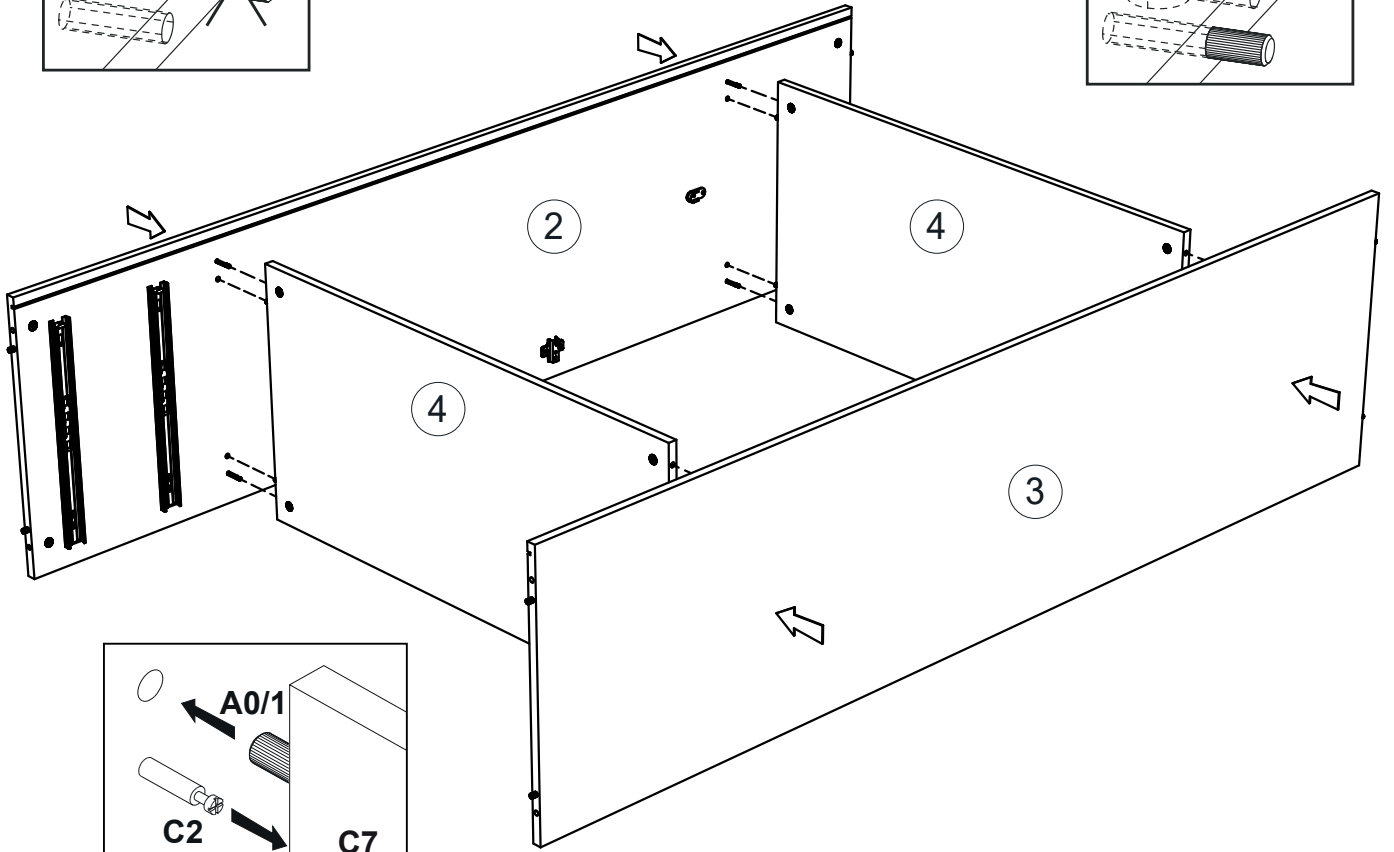
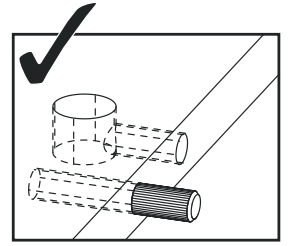
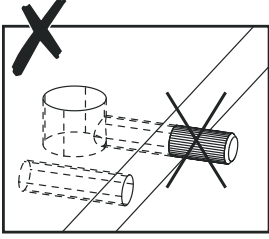


6 **x2**

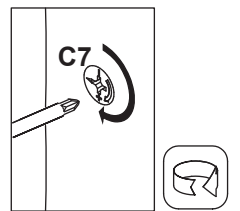
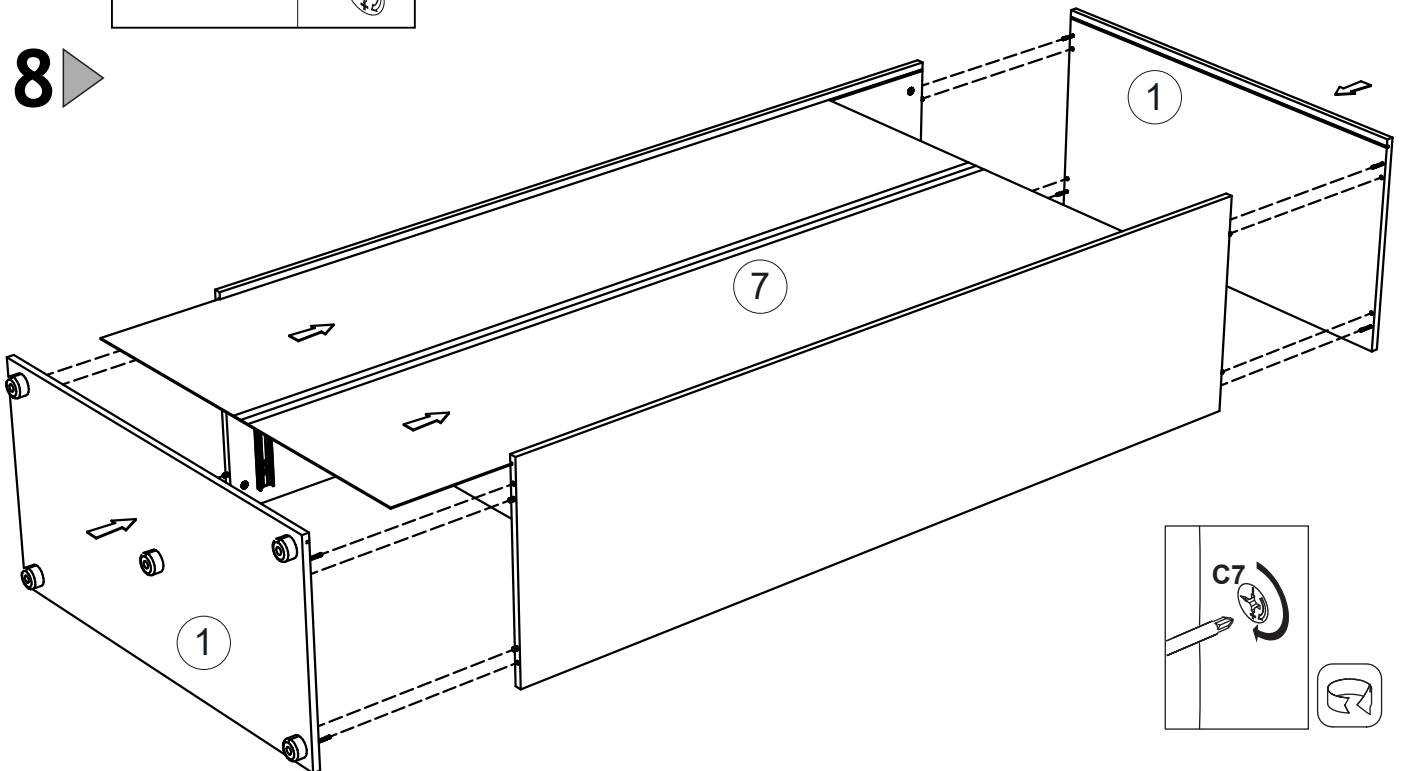
D0		x16	M1		x12	P94		x2
-----------	---	------------	-----------	---	------------	------------	---	-----------



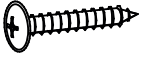


7 ▶

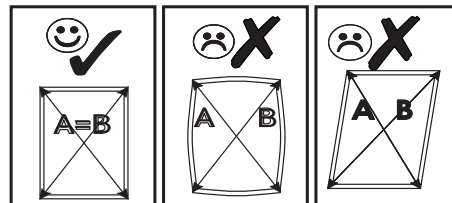
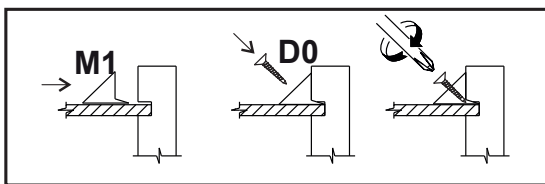
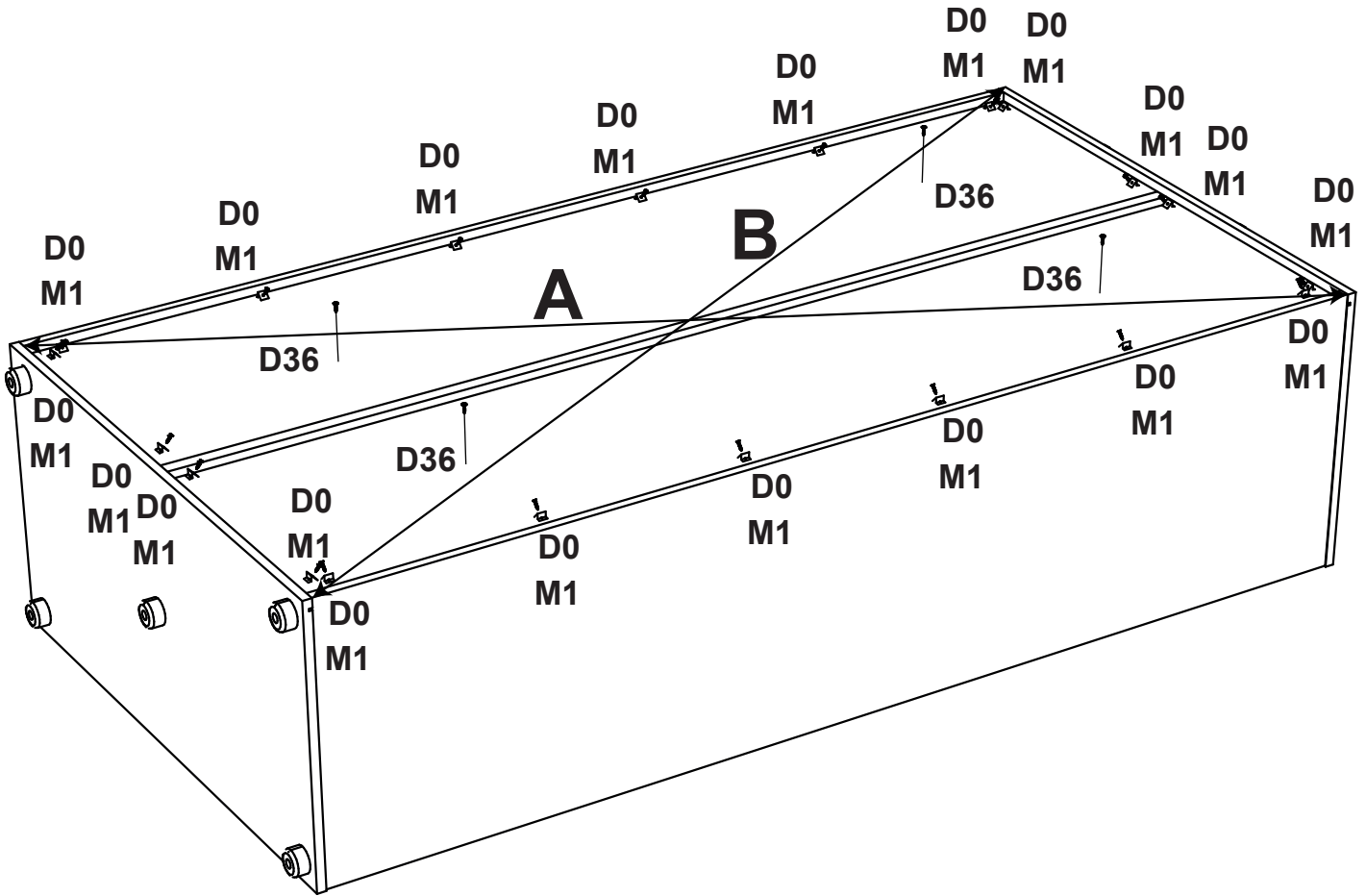
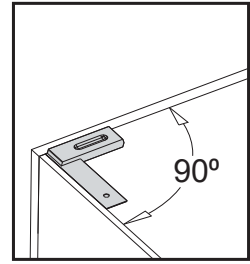


8 ▶


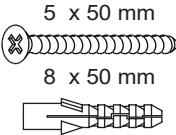
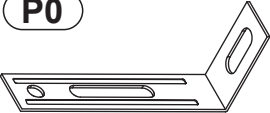





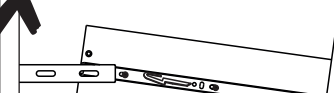


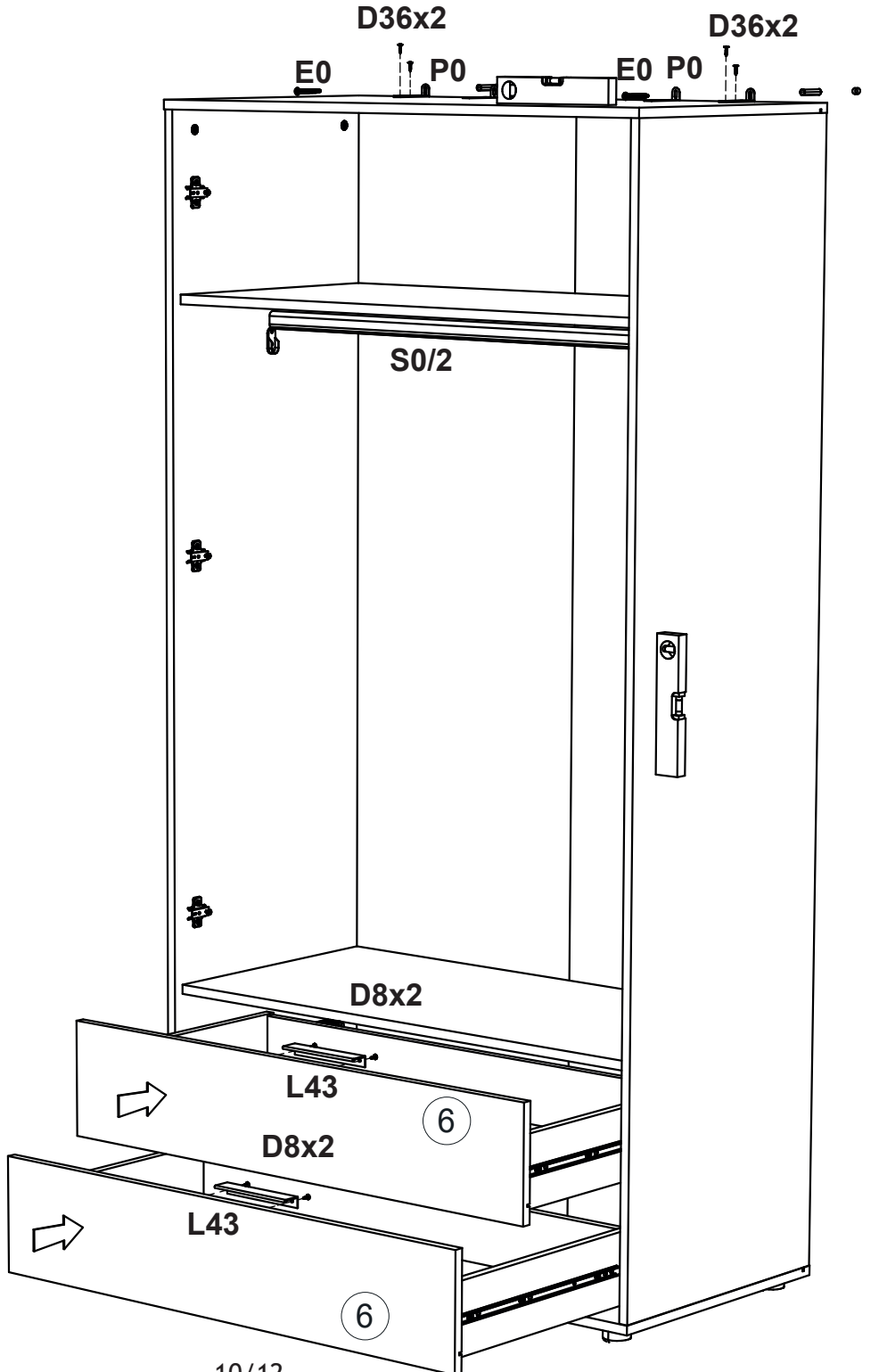
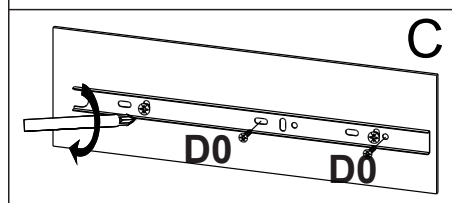
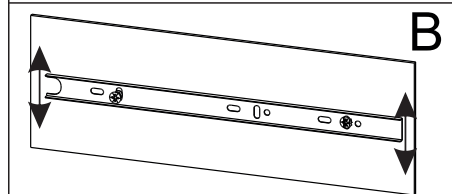
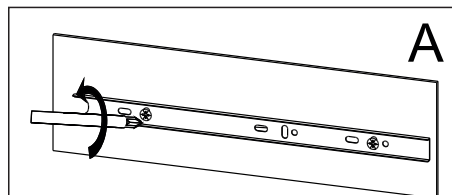
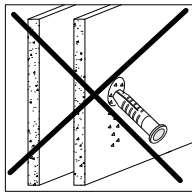
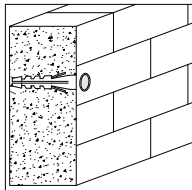
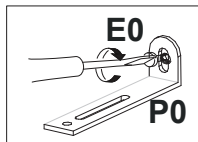
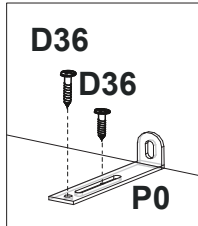
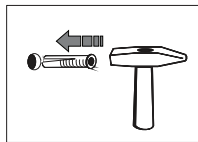
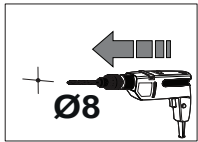
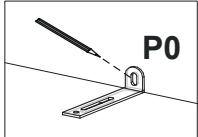
9 ▶

D36 	x2	D0 	x14	M1 	x14
---	-----------	--	------------	--	------------



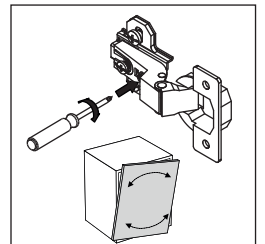
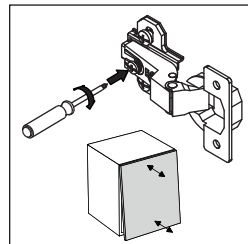
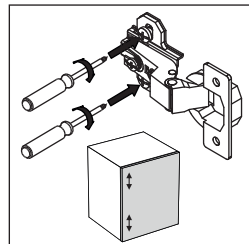
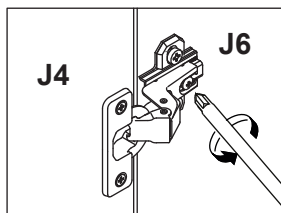
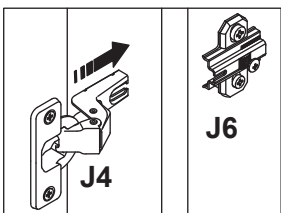
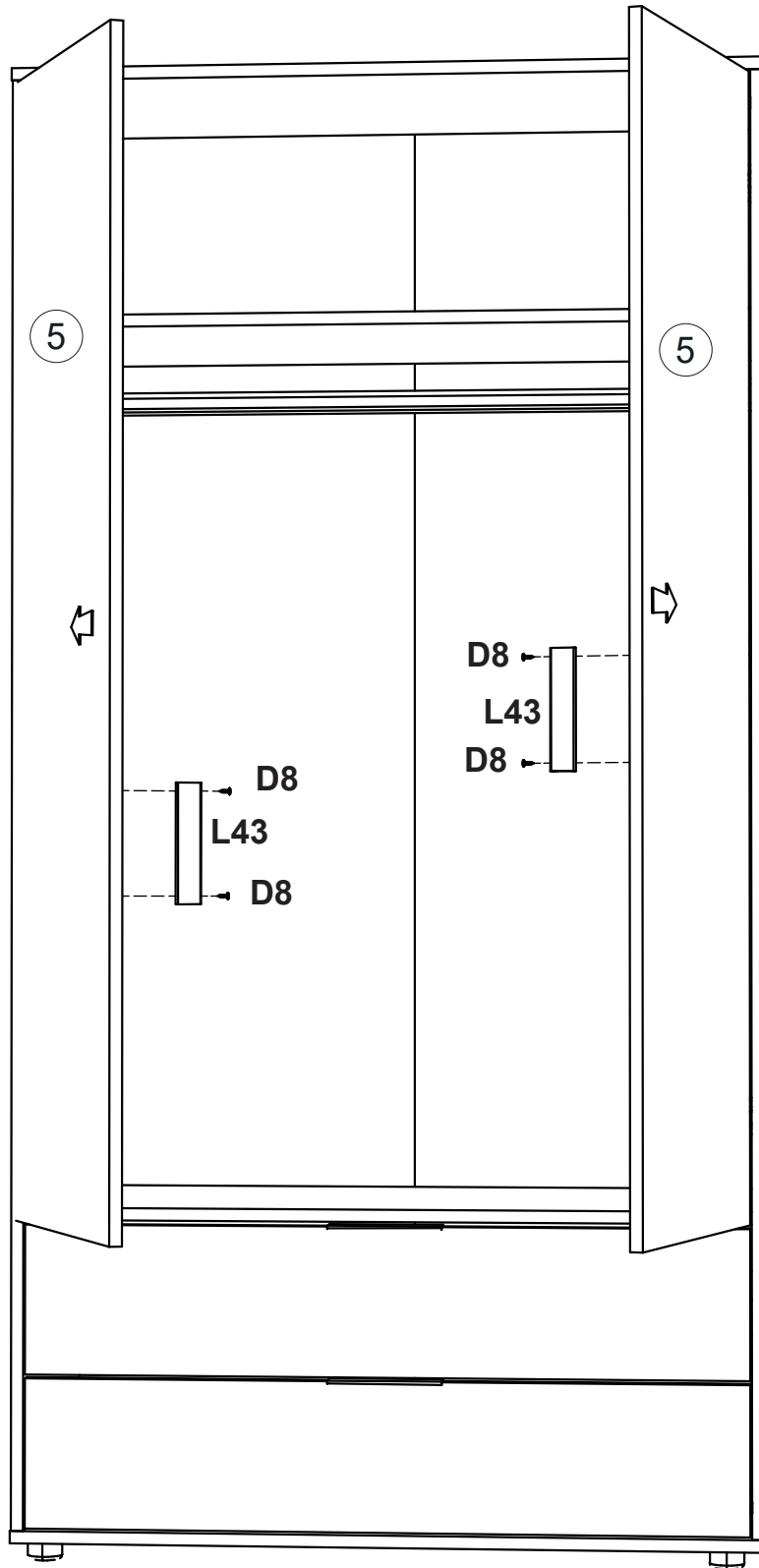
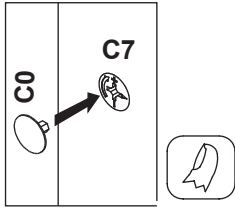
10

D36  x4	E0  x2	P0  x2
S0/2  x1	D8  x4	L43  x2
D0  x8	 	



11 ▶

C0	x10	D8	x4	L43	x2
-----------	------------	-----------	-----------	------------	-----------





max.
5kg

max.
5kg

max.
5kg

