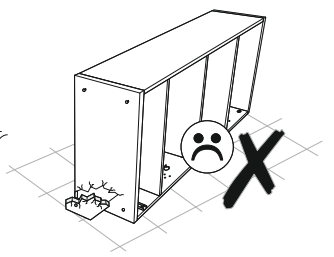
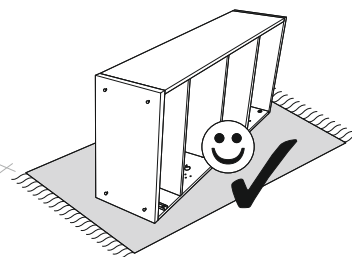
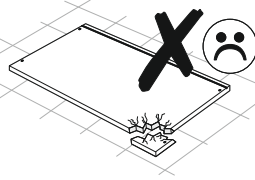
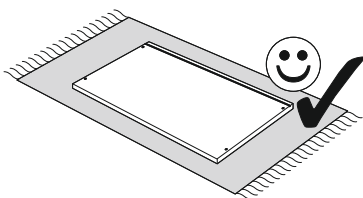
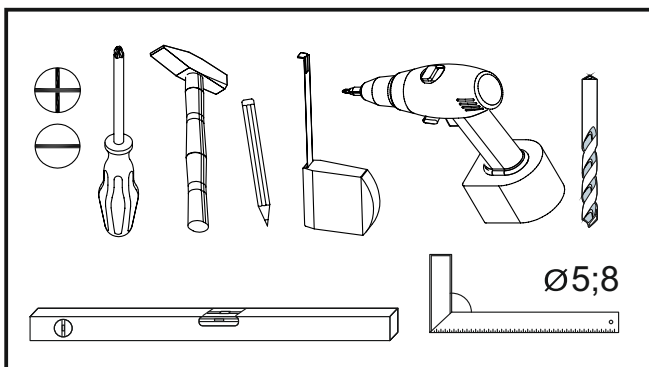
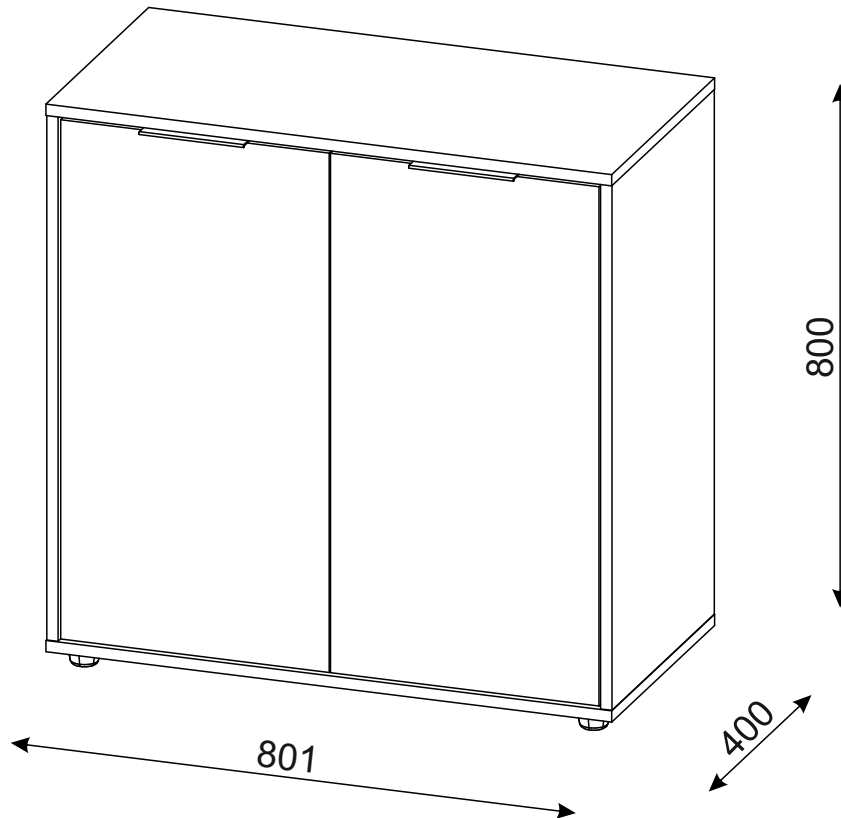
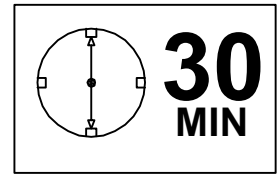
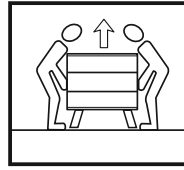
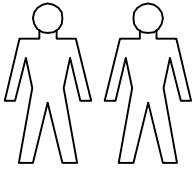

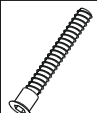








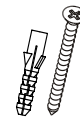



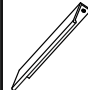


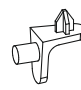
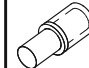

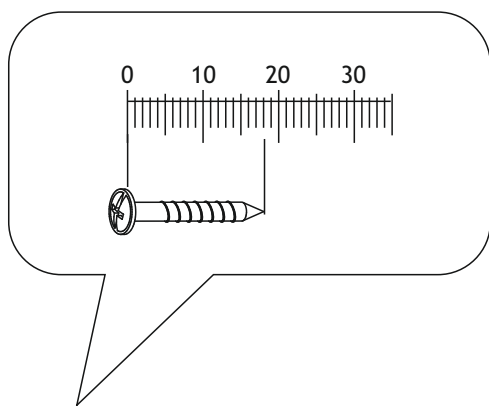


800/2D




800/2D

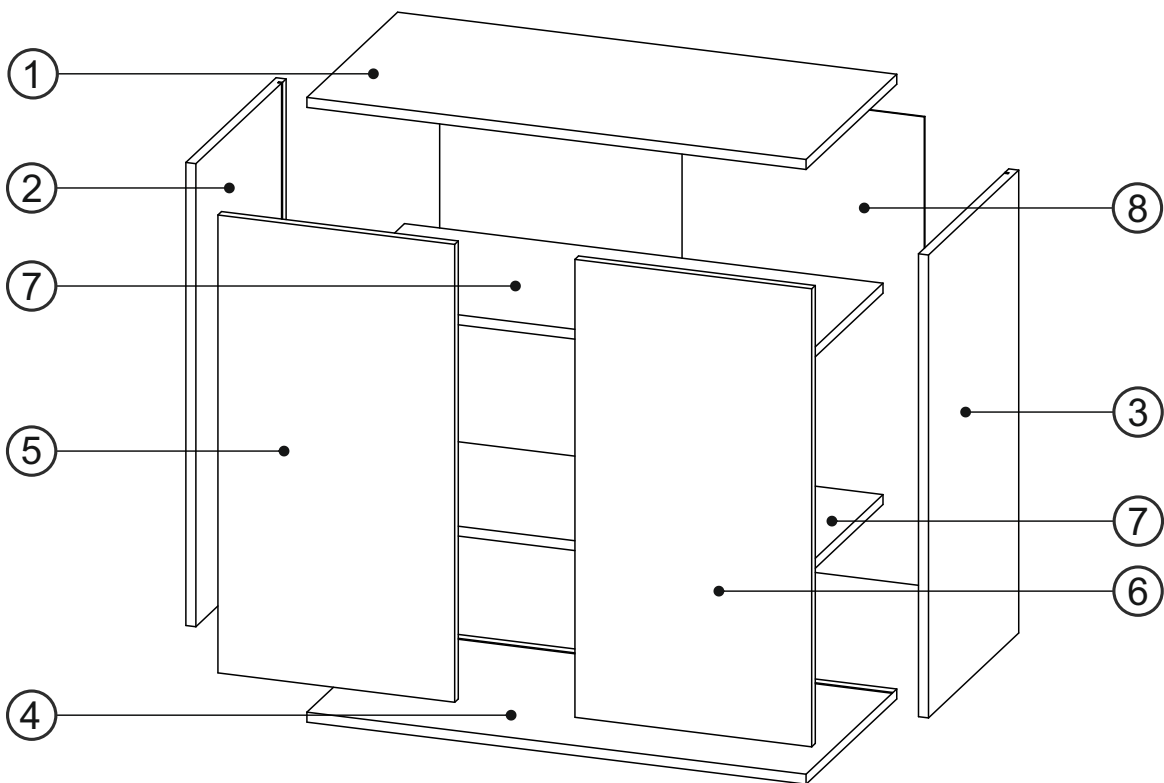
A0	B1	C0	C2	C7	D0	D5	D8	D12	D21	E0
										
∅8x30	∅7x50			16mm	3x15	3,5x16	3,5x13	4x25	5x13	8x50
x8	x4	x4	x4	x4	x16	x8	x4	x4	x1	x1
J4	J6	K	L43	M1	P0	Q3	Q4	T17		
		 4mm								
x4	x4	x1	x2	x16	x1	x8	x4	x4		



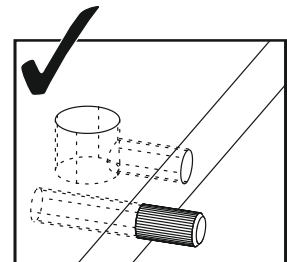
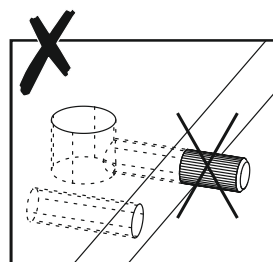
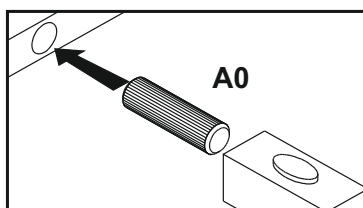
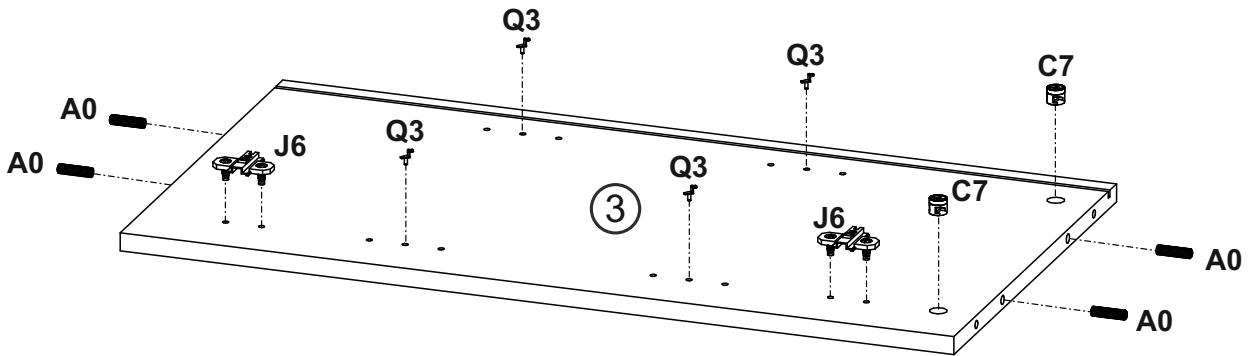
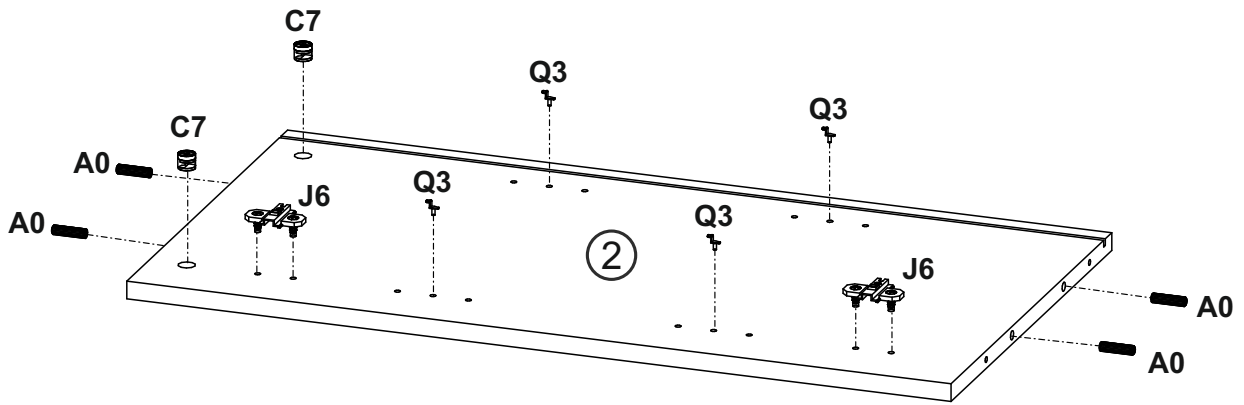
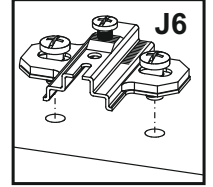
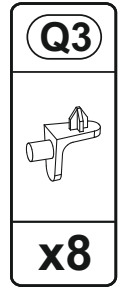
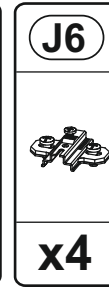
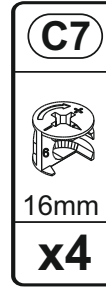
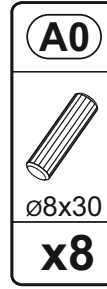
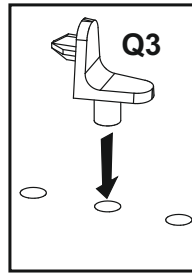
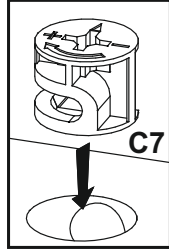
800/2D

①	801	400	16	x1	1/1
②	743	398	16	x1	1/1
③	743	398	16	x1	1/1
④	801	400	16	x1	1/1
⑤	735	380	16	x1	1/1

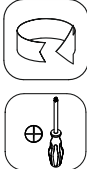
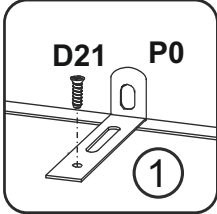






⑥	735	380	16	x1	1/1
⑦	768	350	16	x2	1/1
⑧	753	778	3	x1	1/1
					1/1

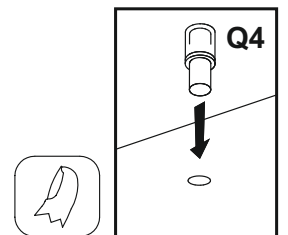
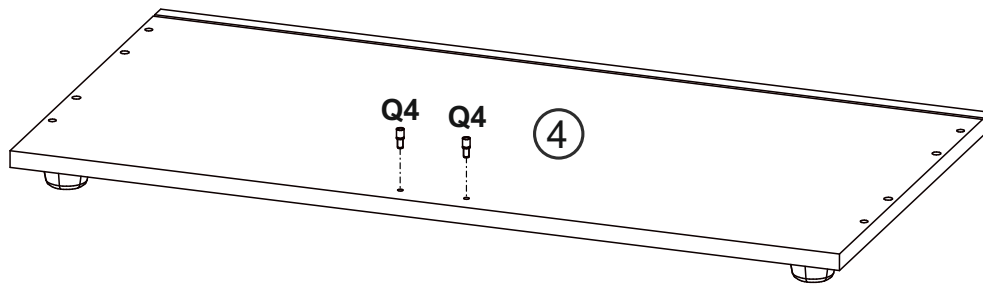
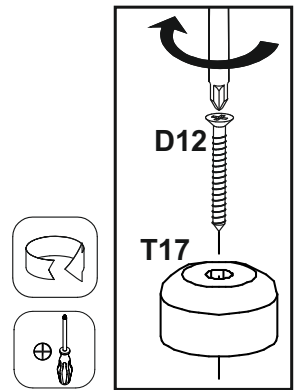
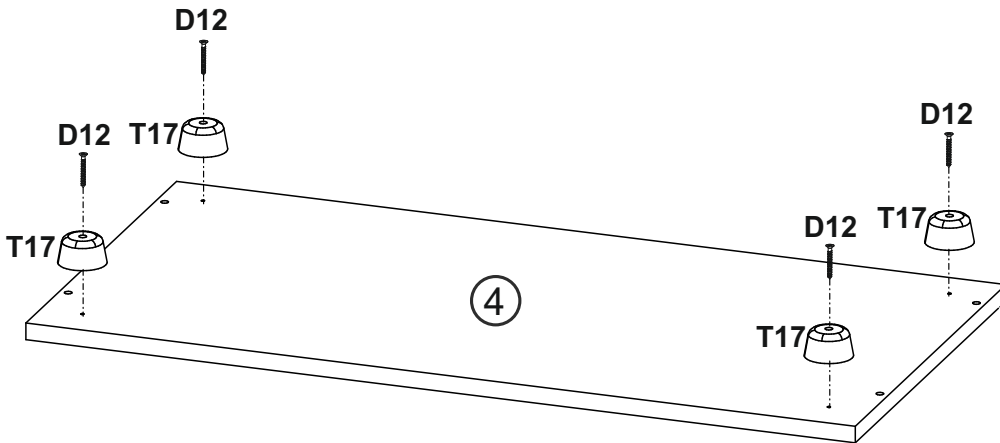
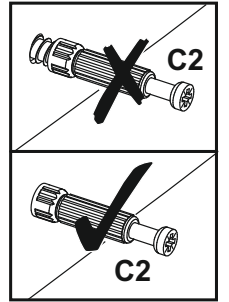
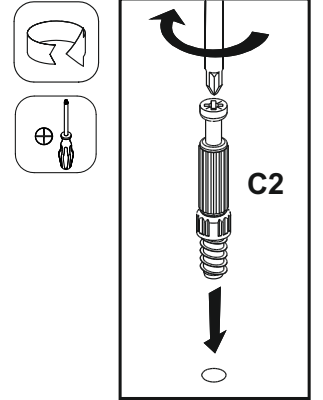
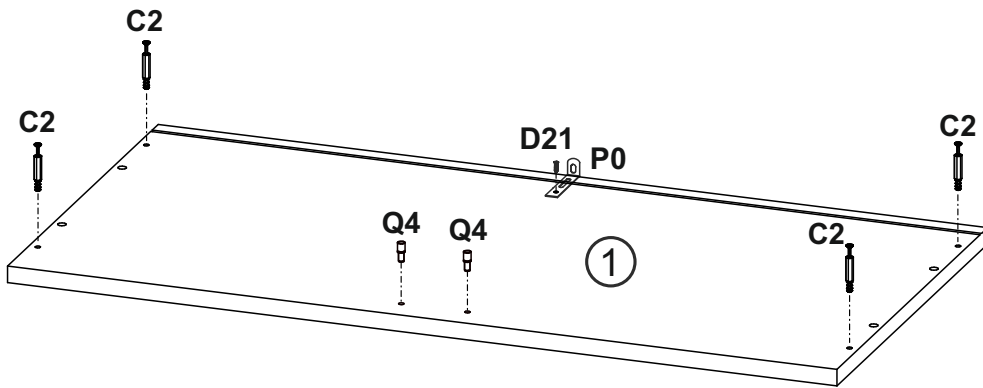


1

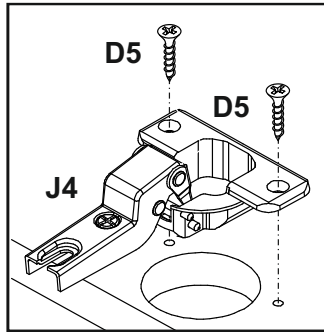
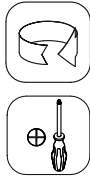


2

		C2  x4	D12  4x25 x4	D21  5x13 x1	P0  x1	Q4  x4	T17  x4
---	---	---	--	--	---	---	--



3

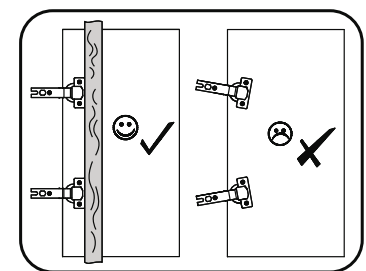
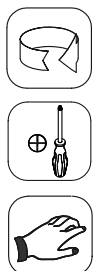
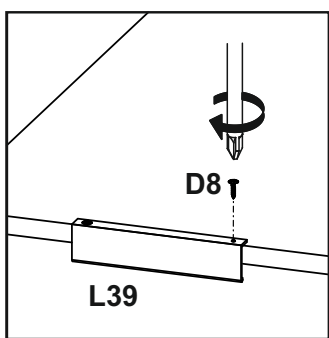
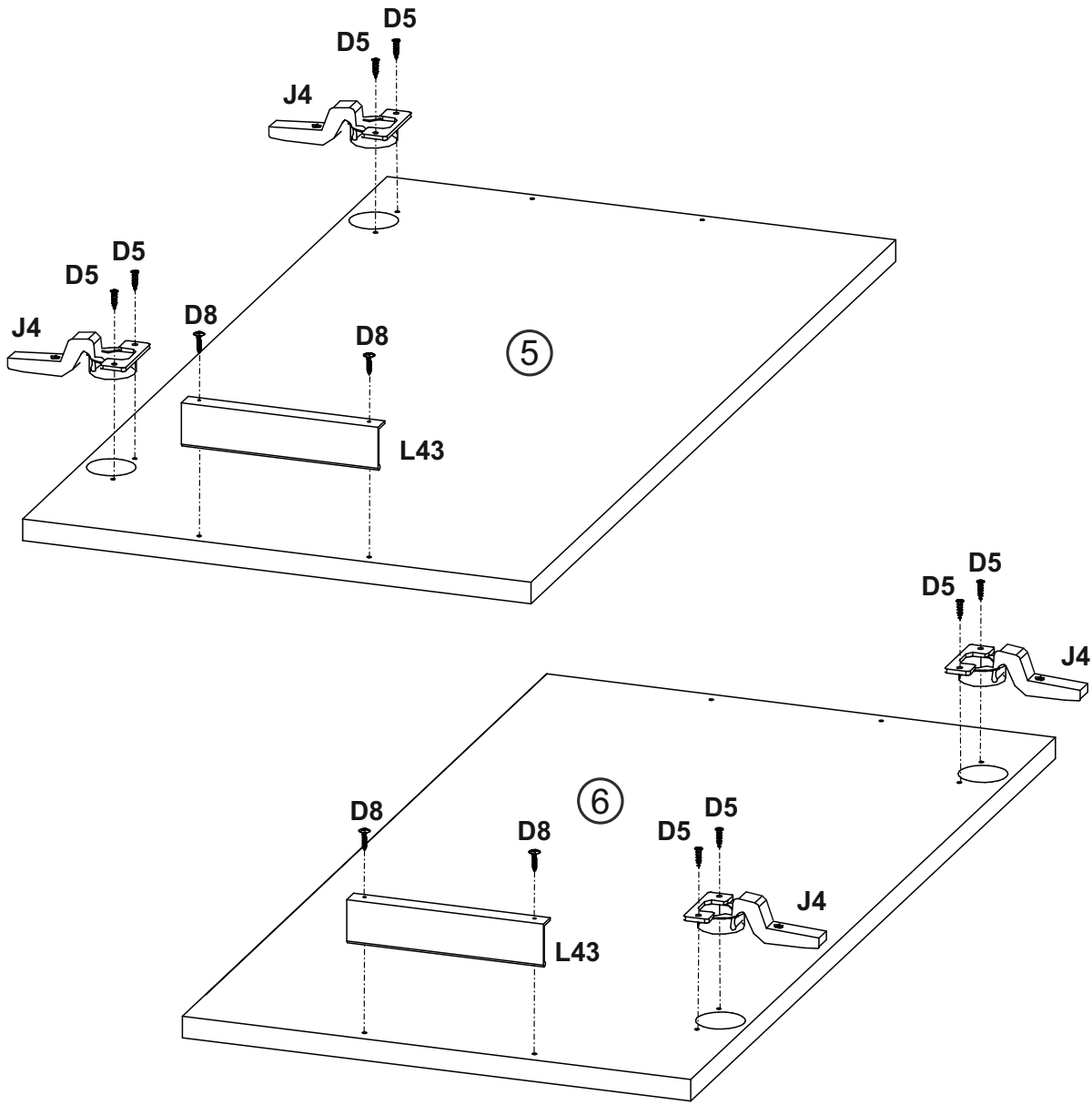


D5
3,5x16
x8

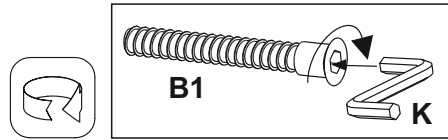
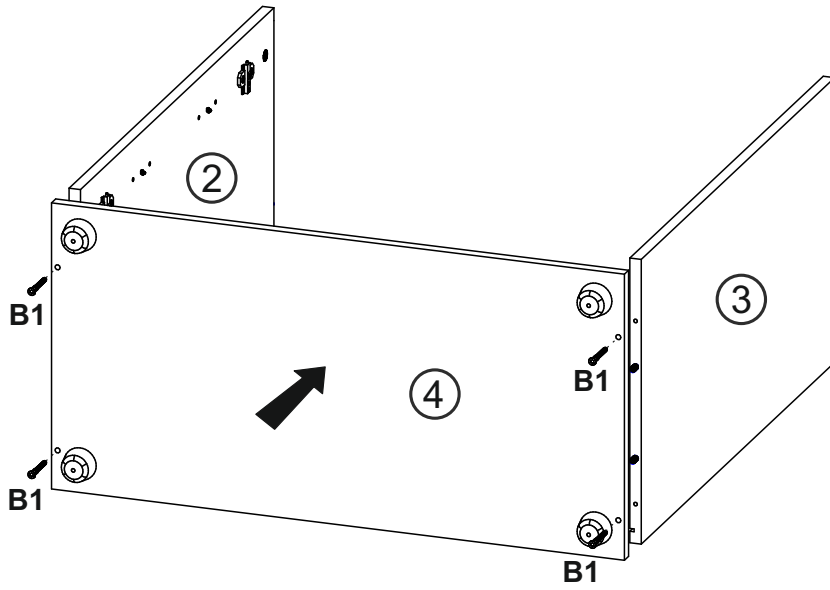
D8
3,5x13
x4



J4
x4

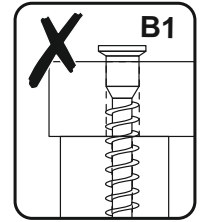
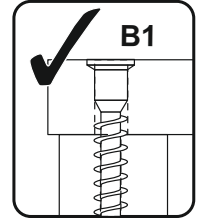
L43
x2



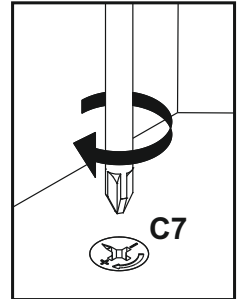
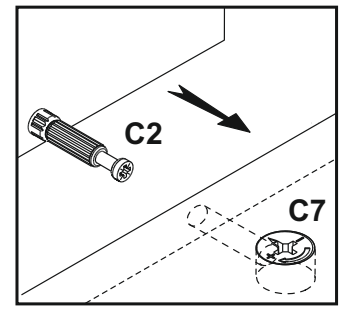
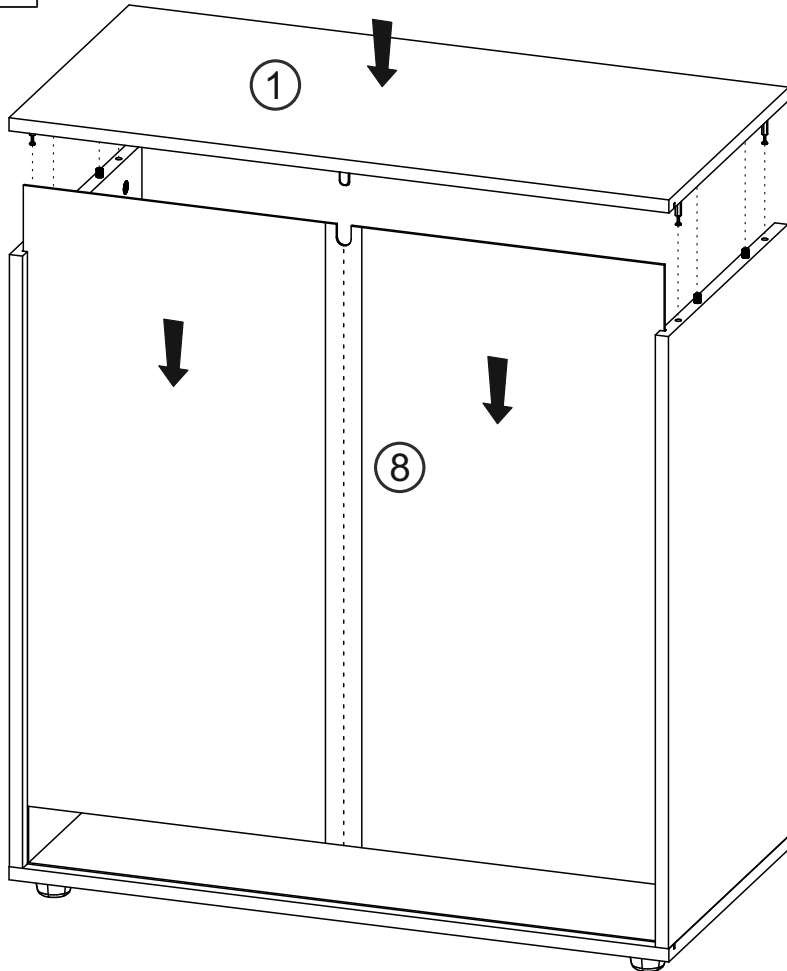
4





B1	K
	
ø7x50	4mm
x4	x1

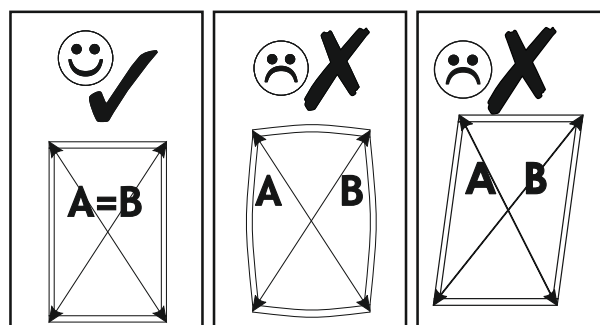
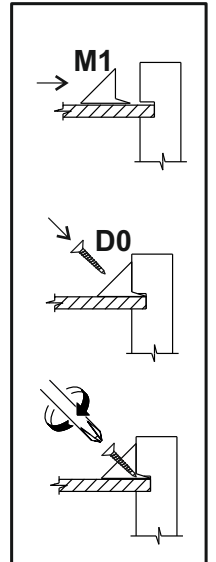
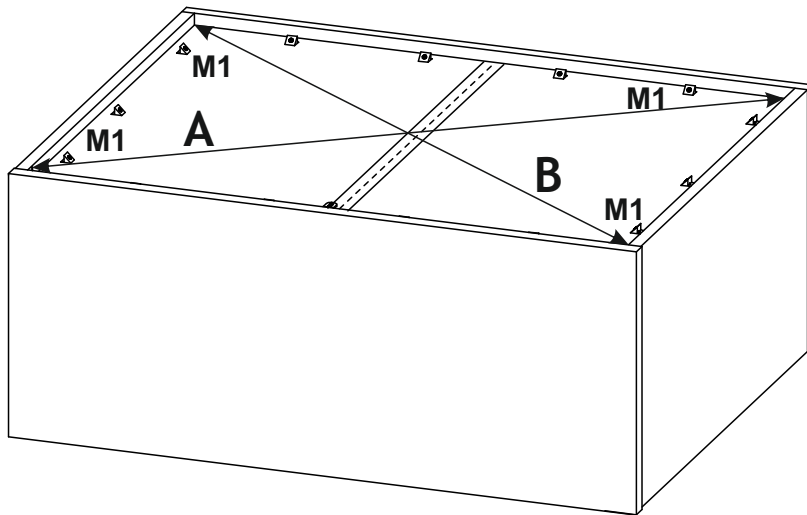


5

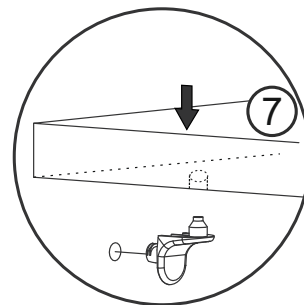
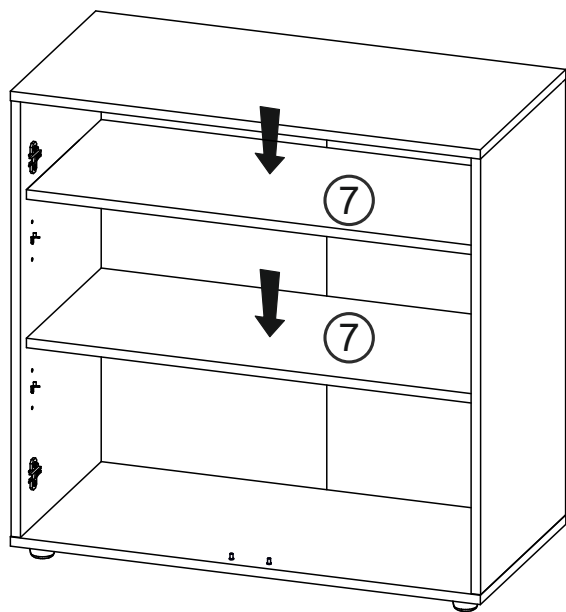


6

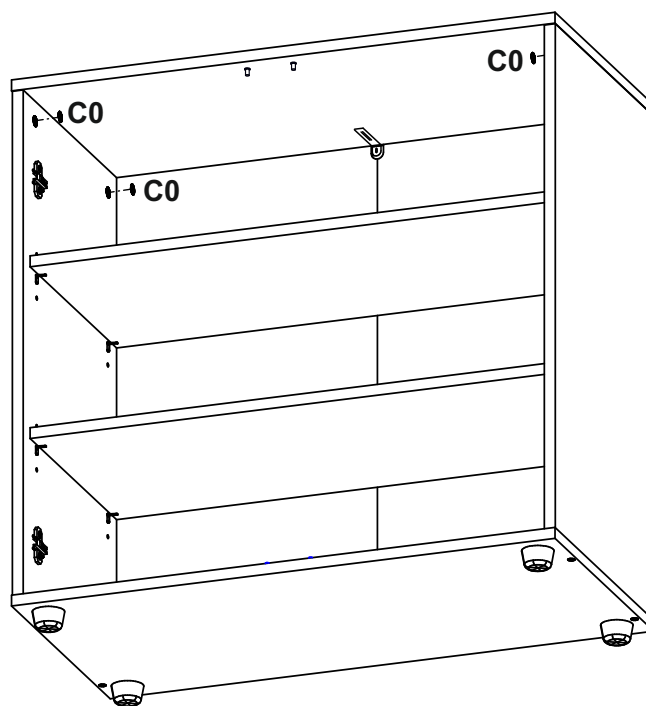
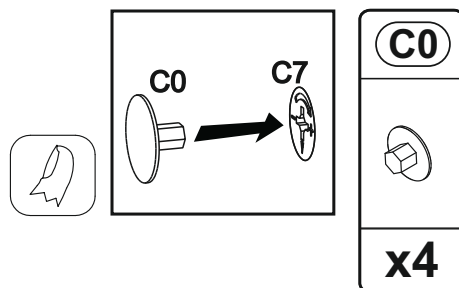
D0	M1
	
3x15	
x16	x16



7

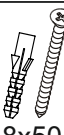


8



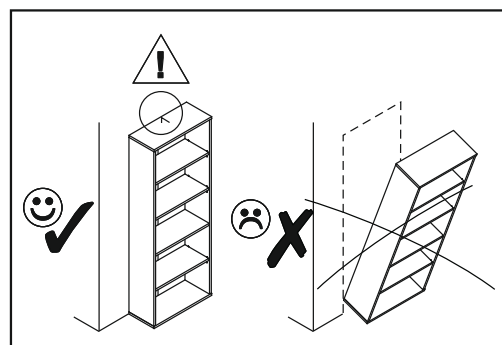
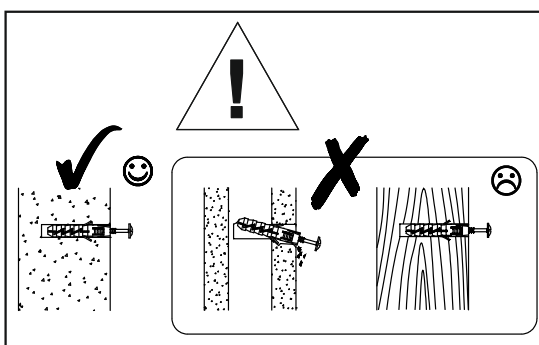
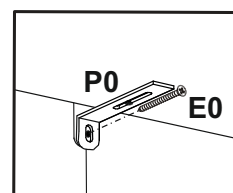
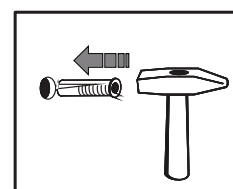
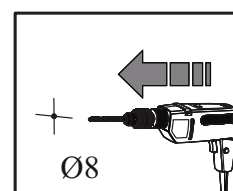
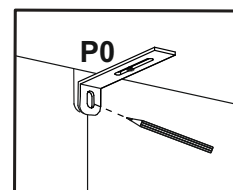
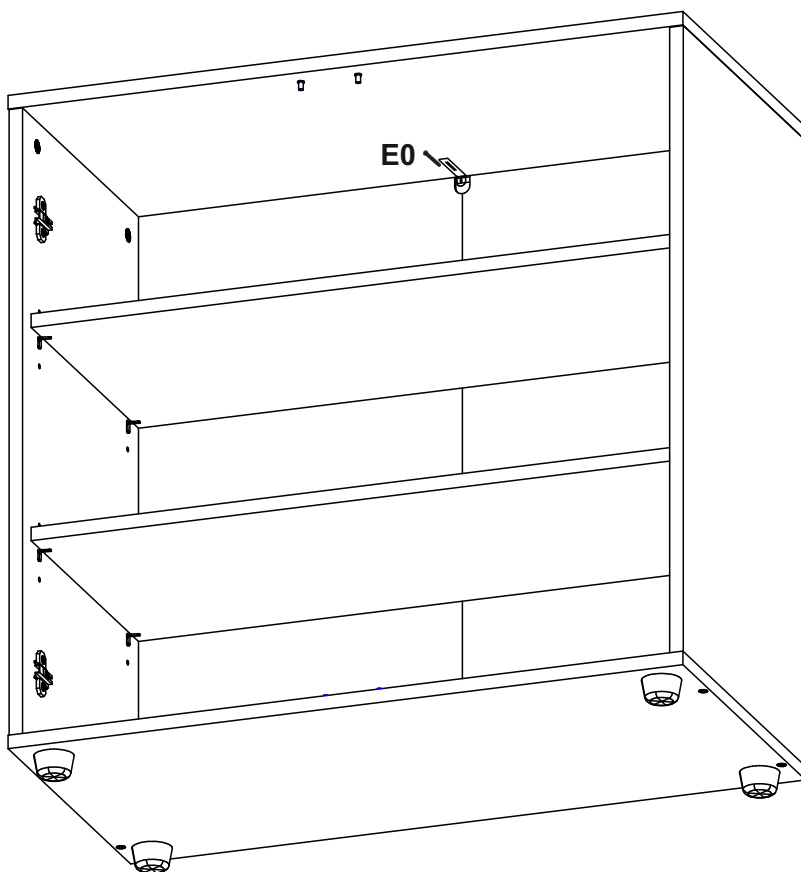
9

E0



8x50

x1



10

