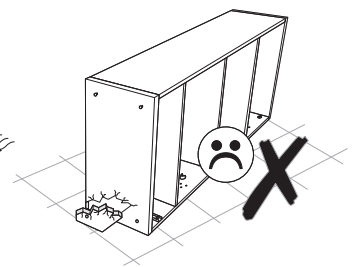
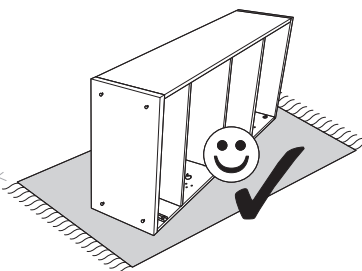
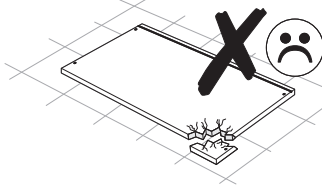
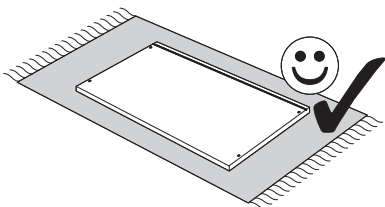
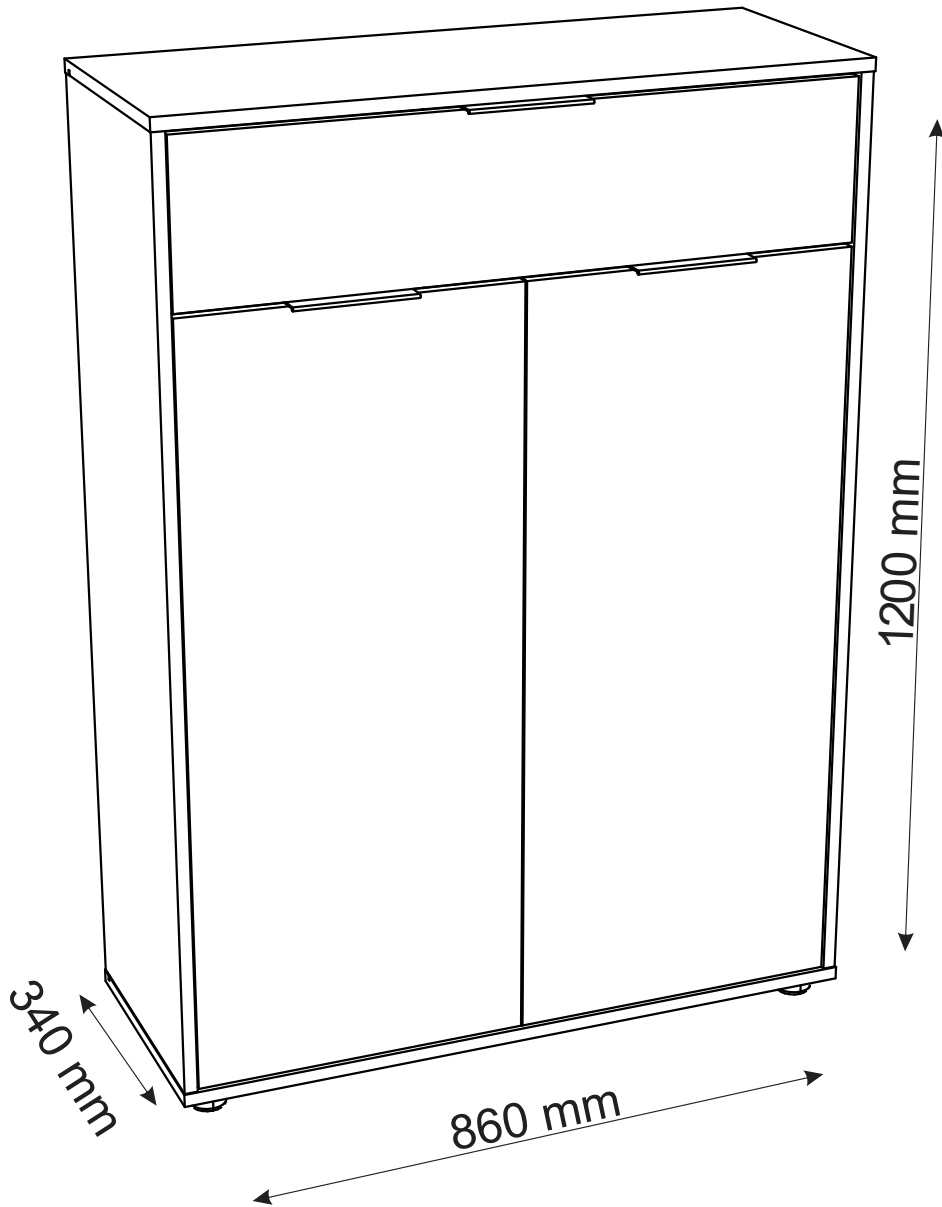
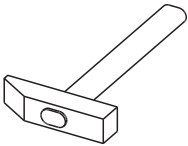
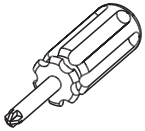
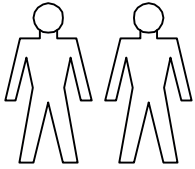
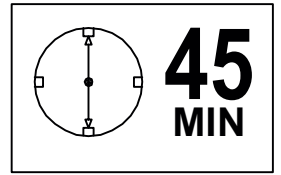


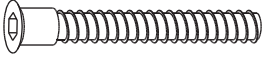





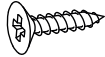
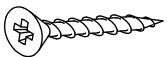

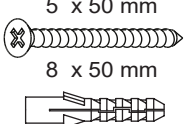
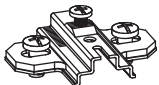
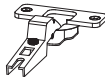

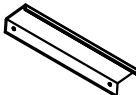


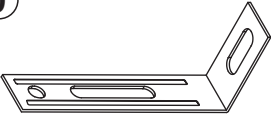

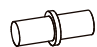
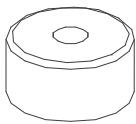



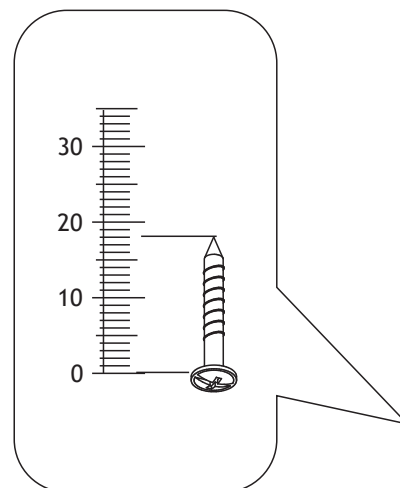
CHEST 2D 1Dr



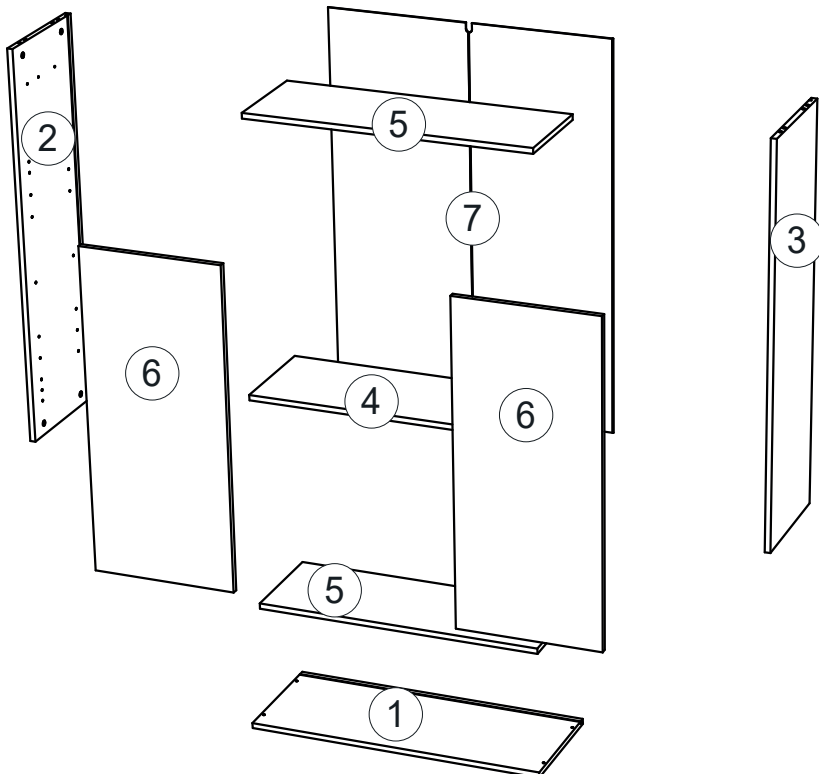
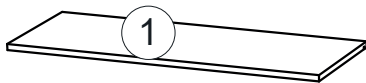
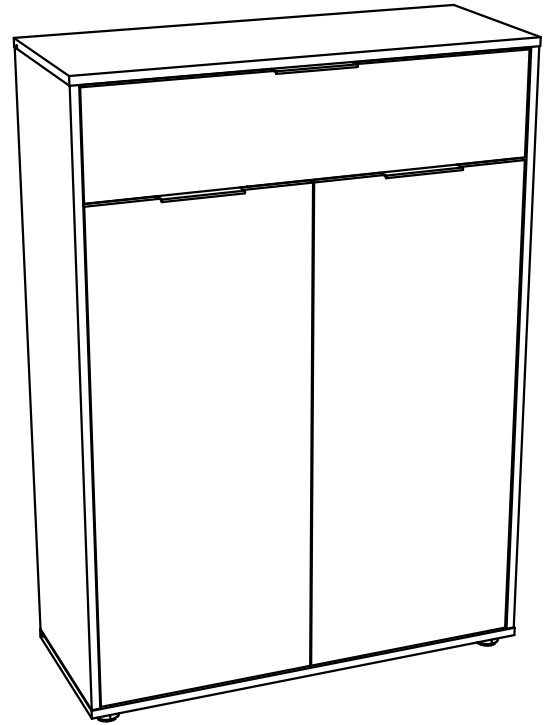
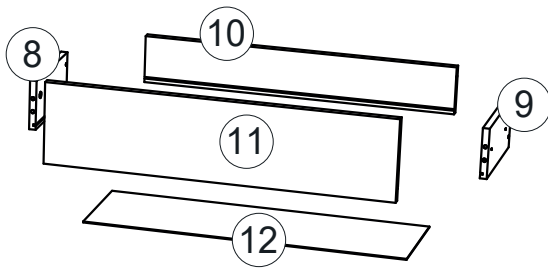
CHEST 2D 1Dr


MM

| | | |
|--|---|--|
| <p>A0/1 8 x 30mm x14</p>  | <p>B0 x4</p>  | <p>B1 f 5x 50 mm x4</p>  |
| <p>C0 x12</p>  | <p>C2 x14</p>  | <p>C7 x14</p> <p>16mm</p>  |
| <p>D0 3 x 15 mm x22</p>  | <p>D8 3.5 x 13 mm x6</p>  | <p>D10 4 x 16 mm x8</p>  |
| <p>D12 4 x 25 mm x4</p>  | <p>D21 5 x 13 mm x10</p>  | <p>E0 5 x 50 mm x1 8 x 50 mm</p>  |
| <p>J6 x4</p>  | <p>J4 x4</p>  | <p>K 4mm x1</p>  |
| <p>L43 x3</p>  | <p>M1 x20</p>  | <p>N5 L-250 x1</p>  |
| <p>P0 x1</p>  | <p>P90 x1</p>  | <p>Q0 x8</p>  |
| <p>T17 x4</p>  | <p>D36 3.5 x 16 mm x2</p>  | |






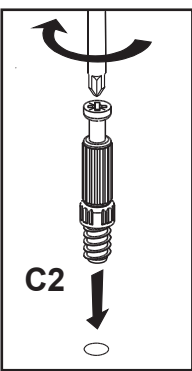
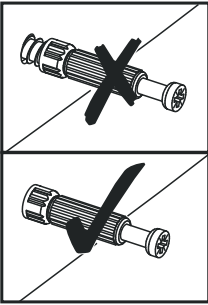
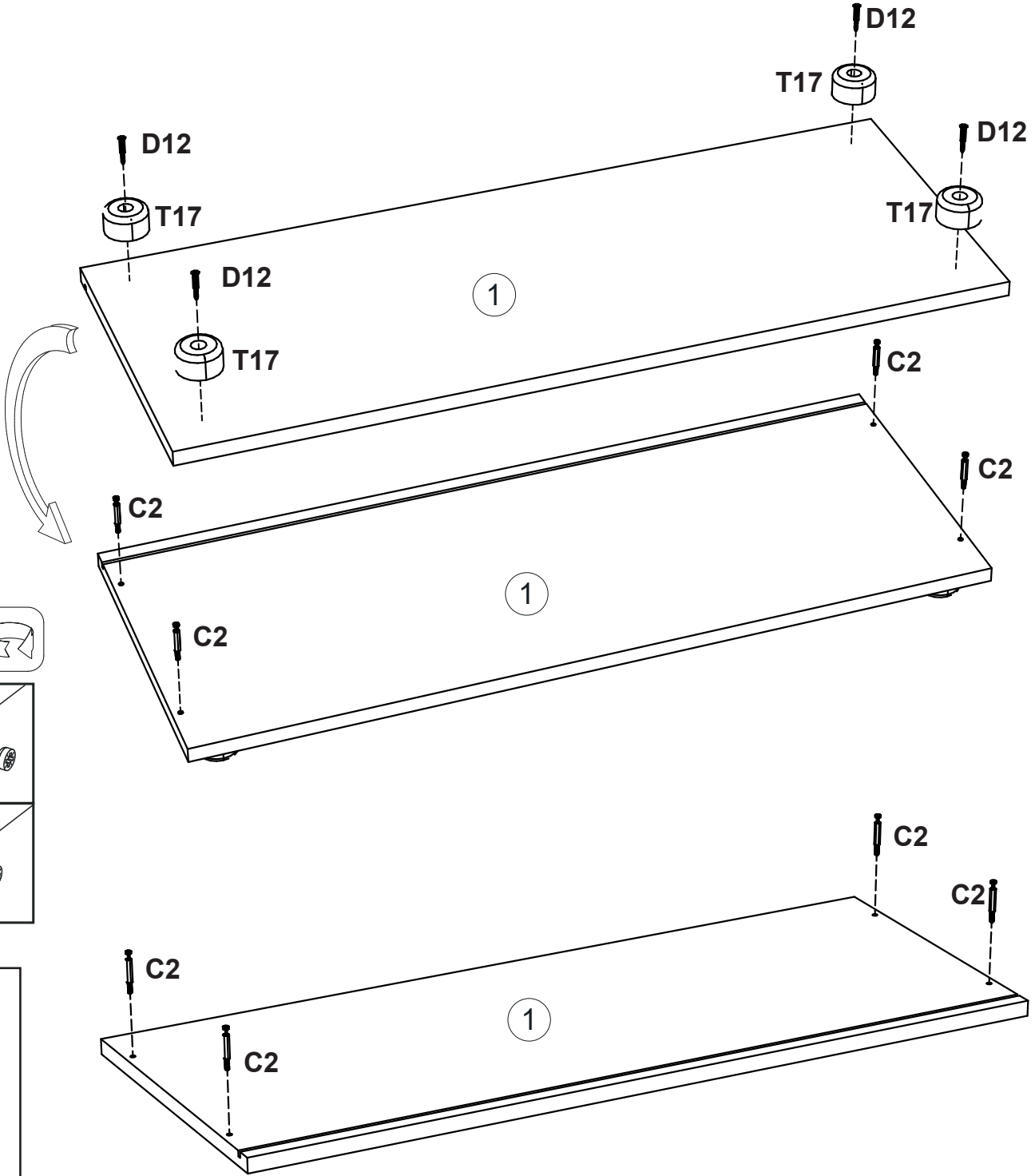
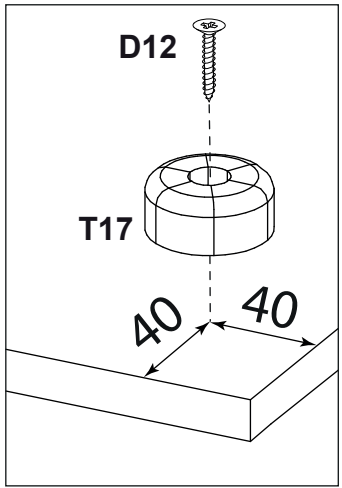
CHEST 2D 1Dr




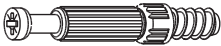


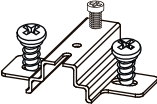

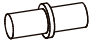
| | | | | | |
|--|------|-----|----|----|-----|
| ① | 860 | 340 | 16 | x2 | 1/1 |
| ② | 1143 | 338 | 16 | x1 | 1/1 |
| ③ | 1143 | 338 | 16 | x1 | 1/1 |
| ④ | 826 | 299 | 16 | x1 | 1/1 |
| ⑤ | 825 | 289 | 16 | x2 | 1/1 |
| ⑥ | 936 | 410 | 16 | x2 | 1/1 |
| ⑦ | 1153 | 836 | 3 | x1 | 1/1 |
| ⑧ | 250 | 120 | 16 | x1 | 1/1 |
| ⑨ | 250 | 120 | 16 | x1 | 1/1 |
| ⑩ | 768 | 117 | 16 | x1 | 1/1 |
| ⑪ | 822 | 195 | 16 | x1 | 1/1 |
| ⑫ | 778 | 243 | 3 | x1 | 1/1 |
|  | | | | | 1/1 |

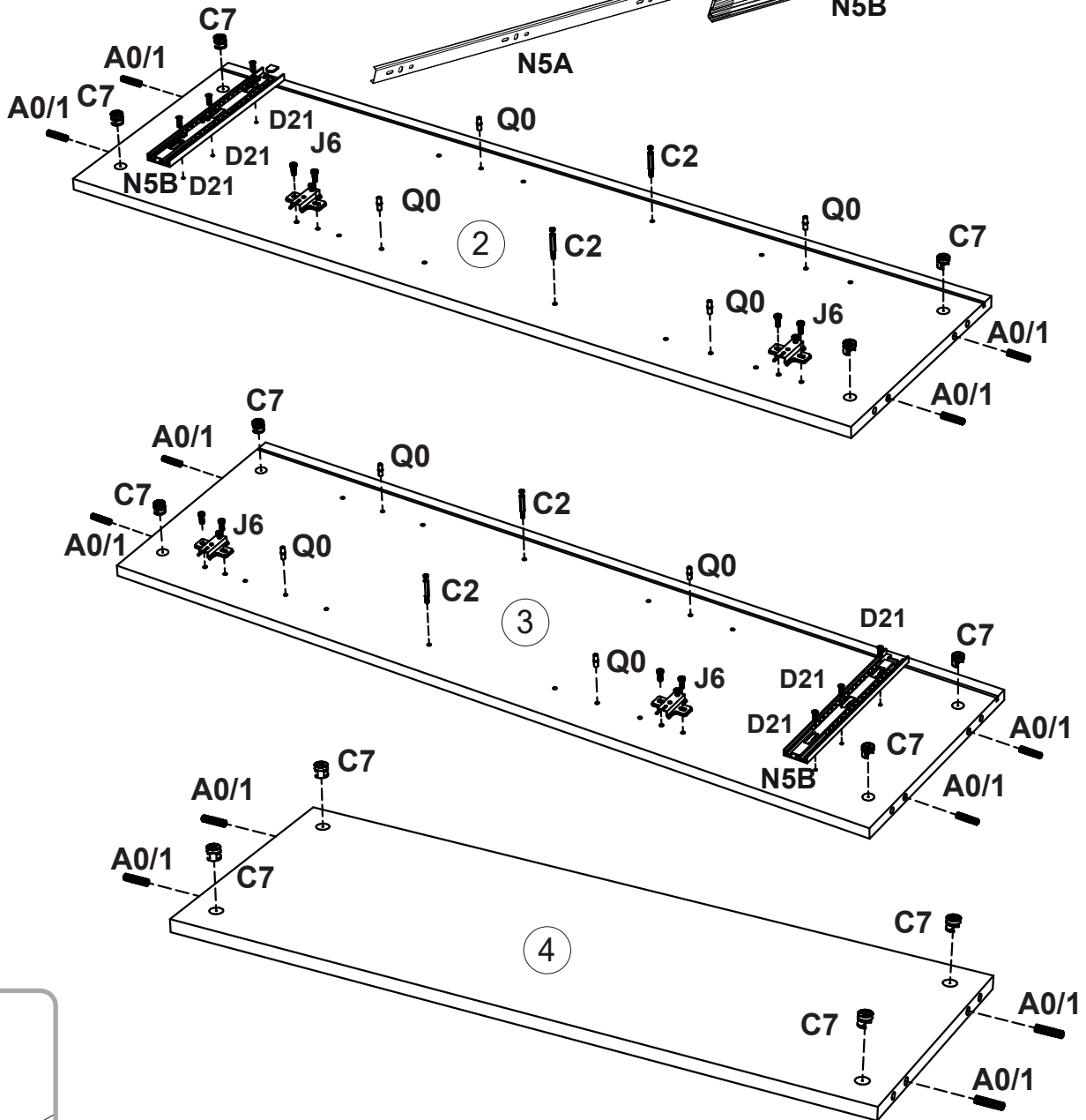
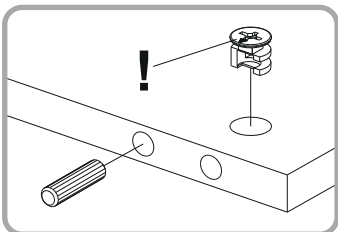
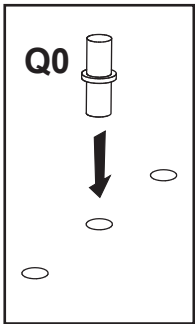
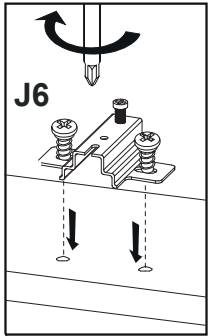
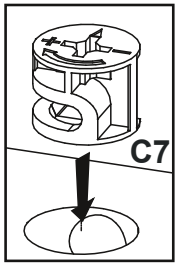
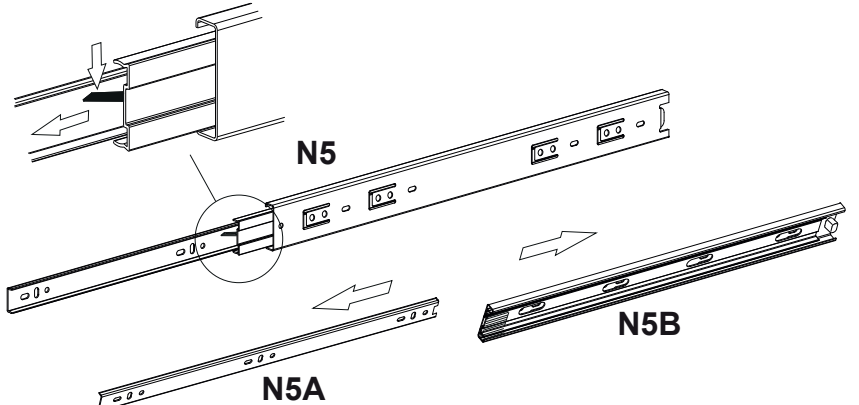
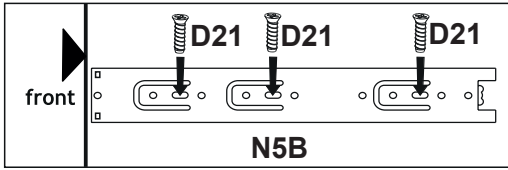
1 ▶

| | | | |
|---|-----------|---|-----------|
| C2  | x8 | D12  | x4 |
| T17  | x4 | | |



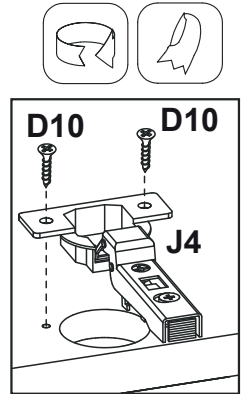
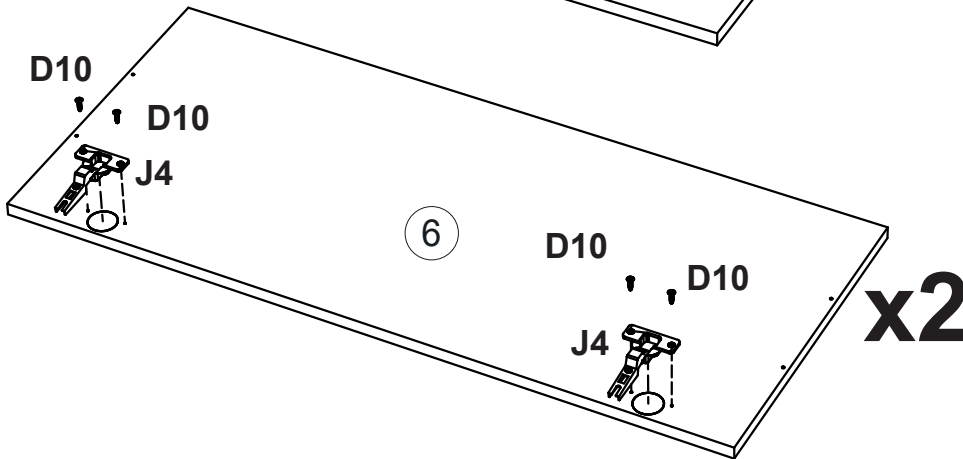
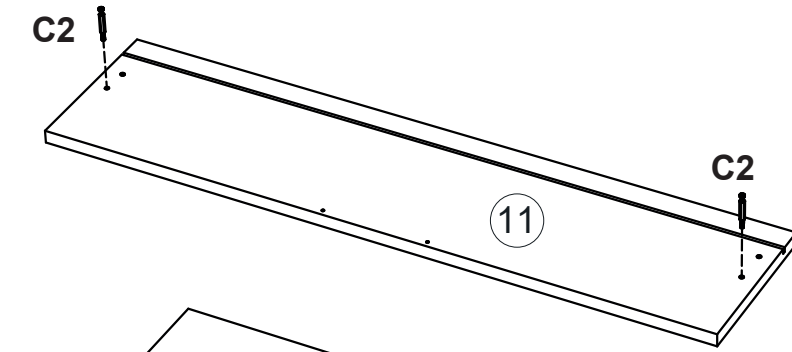
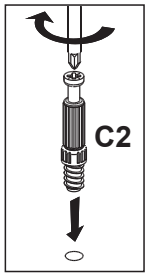
2 ▶

| | | |
|---|--|---|
| A0/1  x12 | C2  x4 | C7  x12 |
| D21  x6 | J6  x4 | N5  x1 |
| Q0  x8 | | |



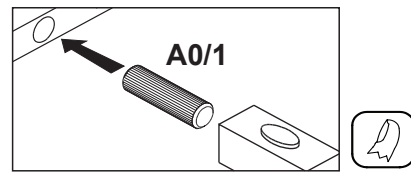
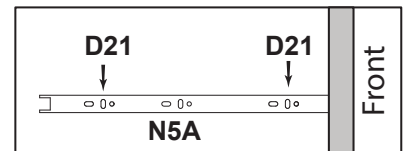
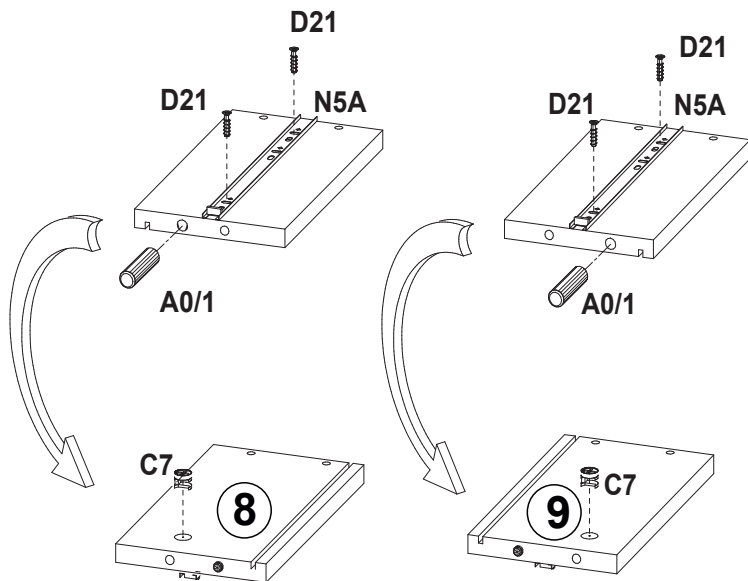
3

| | | | | | |
|-----------|-----------|------------|-----------|-----------|-----------|
| C2 | x2 | D10 | x8 | J4 | x4 |
|-----------|-----------|------------|-----------|-----------|-----------|







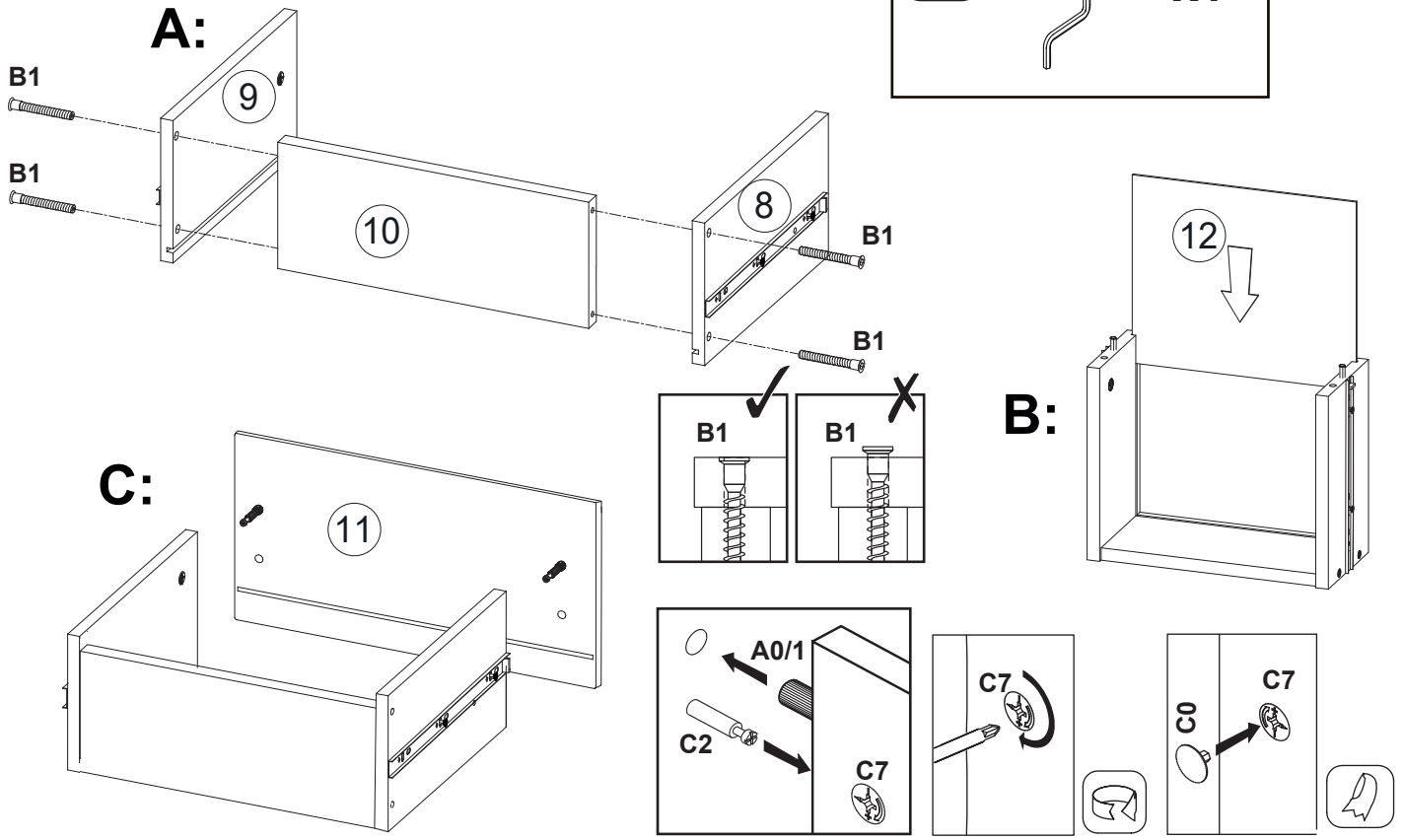
4

| | | | | | |
|-------------|-----------|-----------|-----------|------------|-----------|
| A0/1 | x2 | C7 | x2 | D21 | x4 |
|-------------|-----------|-----------|-----------|------------|-----------|






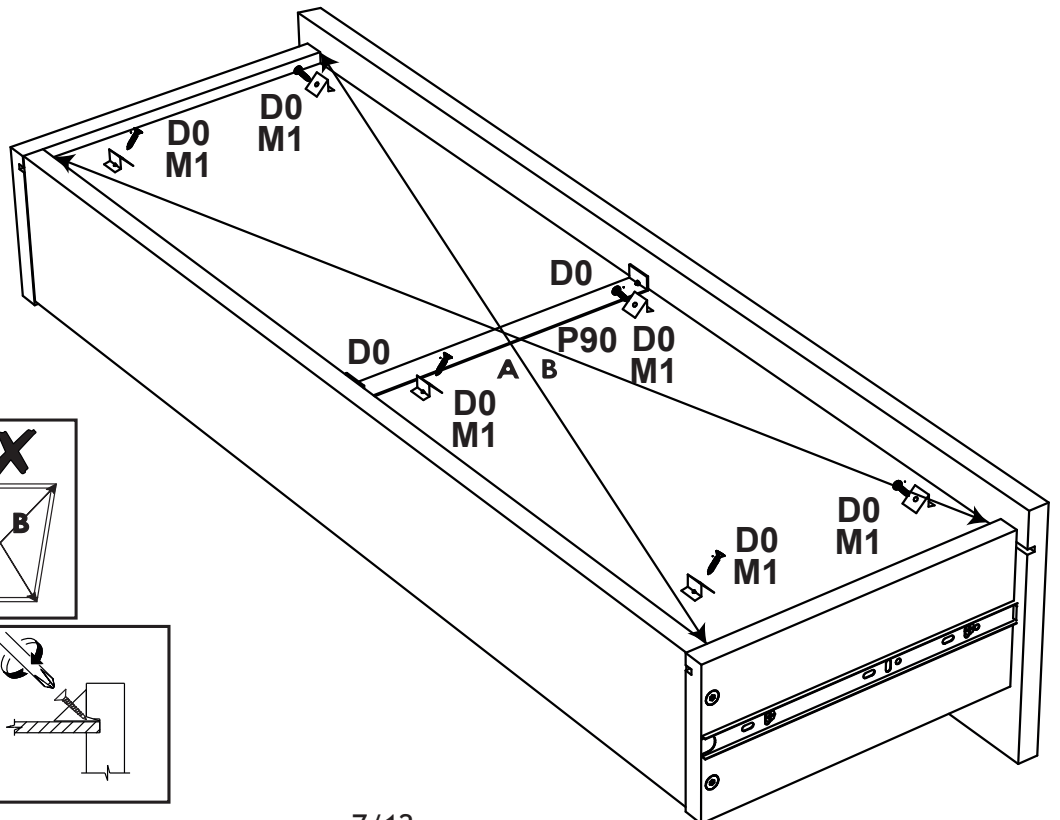
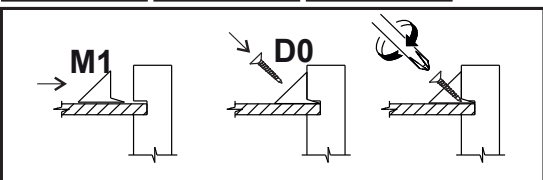
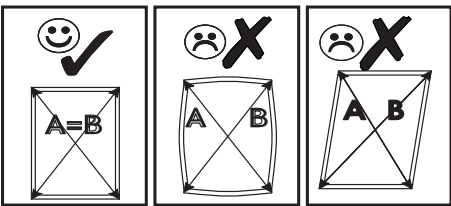
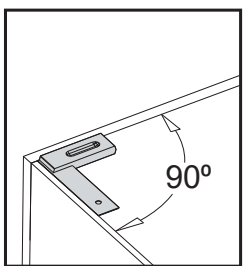
5 ▶

| | | | | | | | | | |
|-----------|---|-----------|-----------|---|-----------|-----------|---|---|-----------|
| B1 |  | x4 | B0 |  | x4 | C0 |  | x2 | |
| | | | | | | | K |  | x1 |

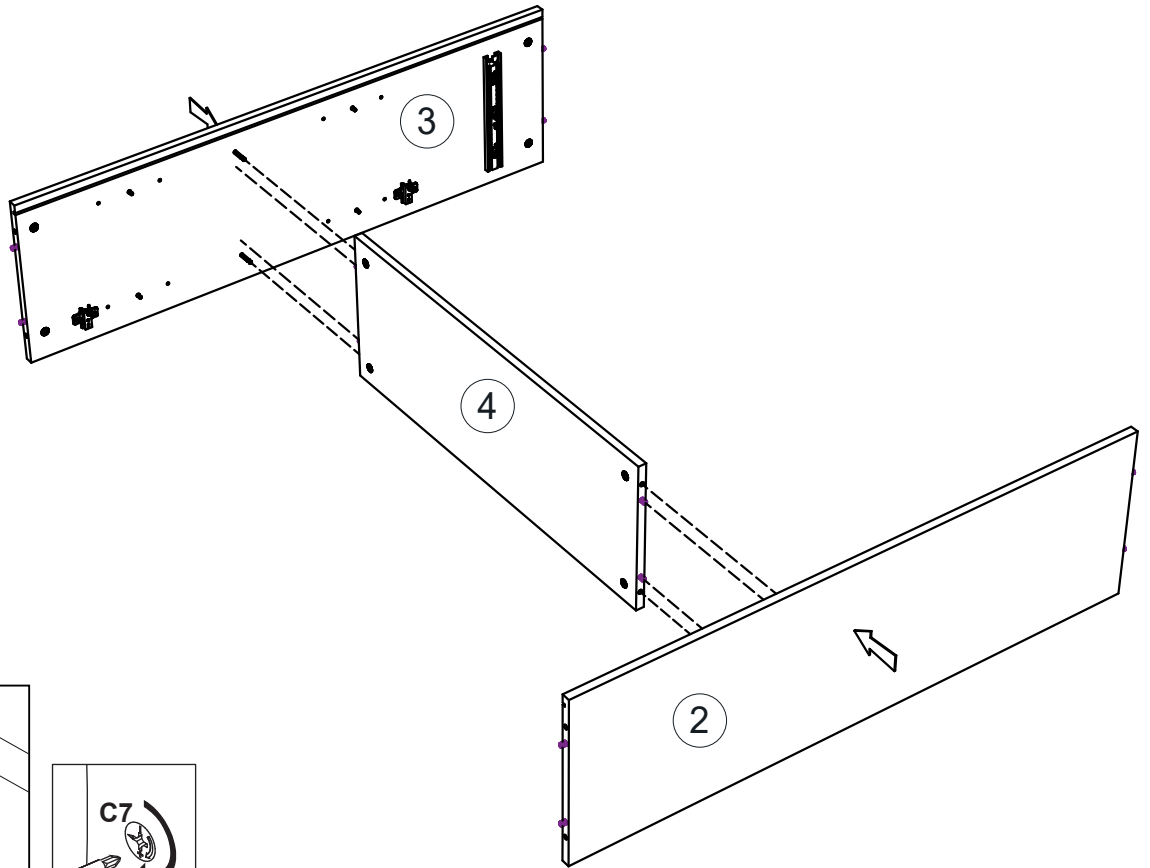
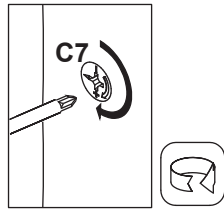
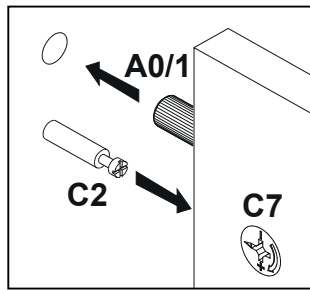
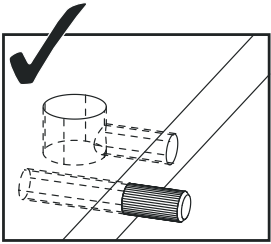
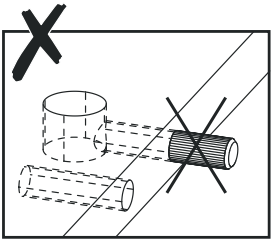


6 ▶

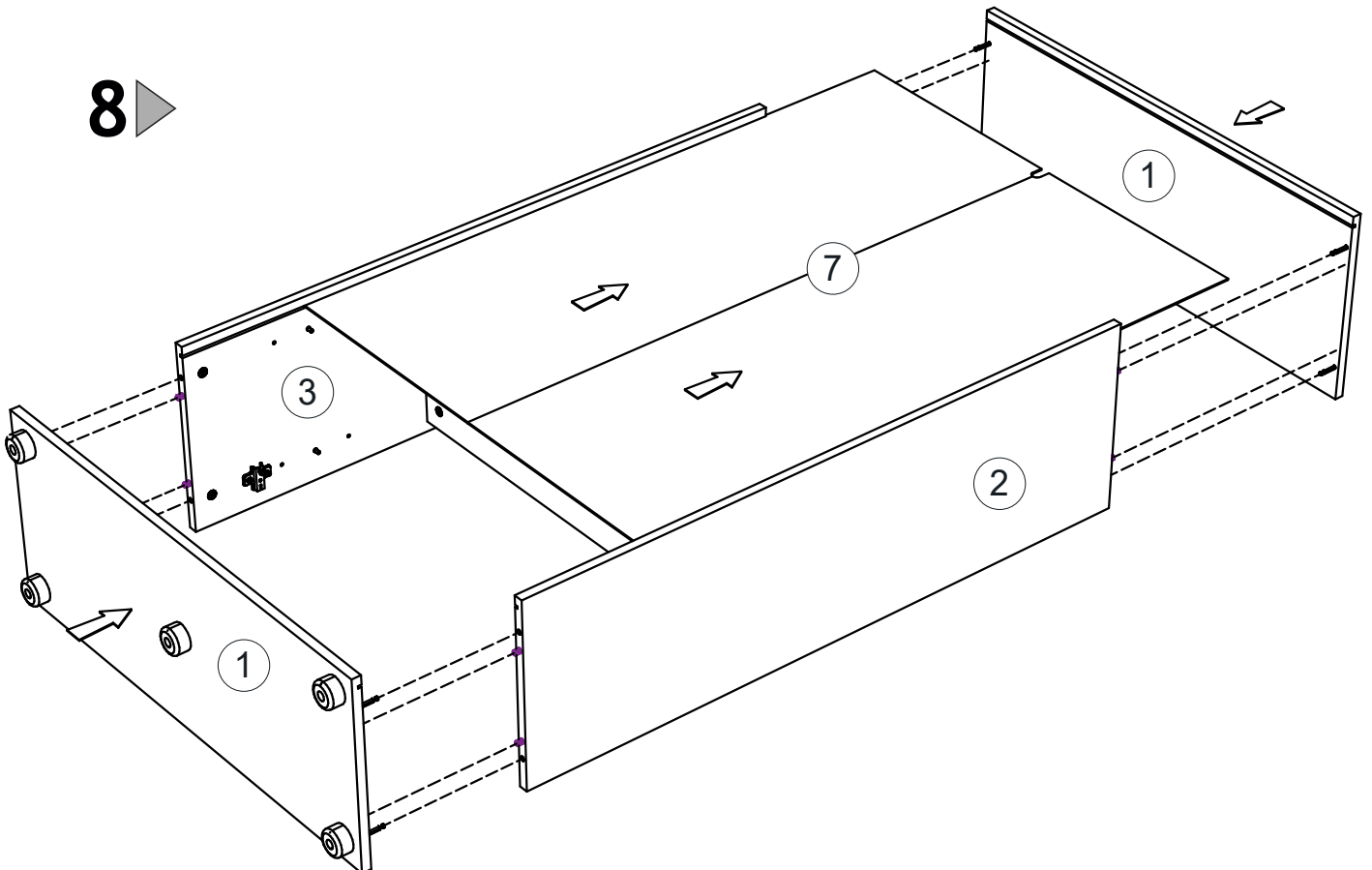
| | | | | | | | | |
|-----------|---|-----------|-----------|---|-----------|------------|---|-----------|
| D0 |  | x8 | M1 |  | x6 | P90 |  | x1 |
|-----------|---|-----------|-----------|---|-----------|------------|---|-----------|





7 ▶

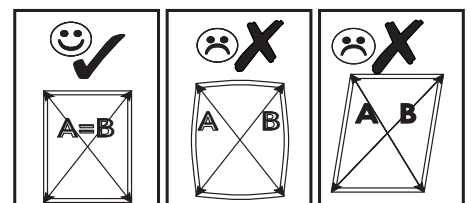
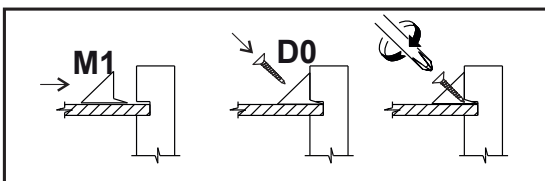
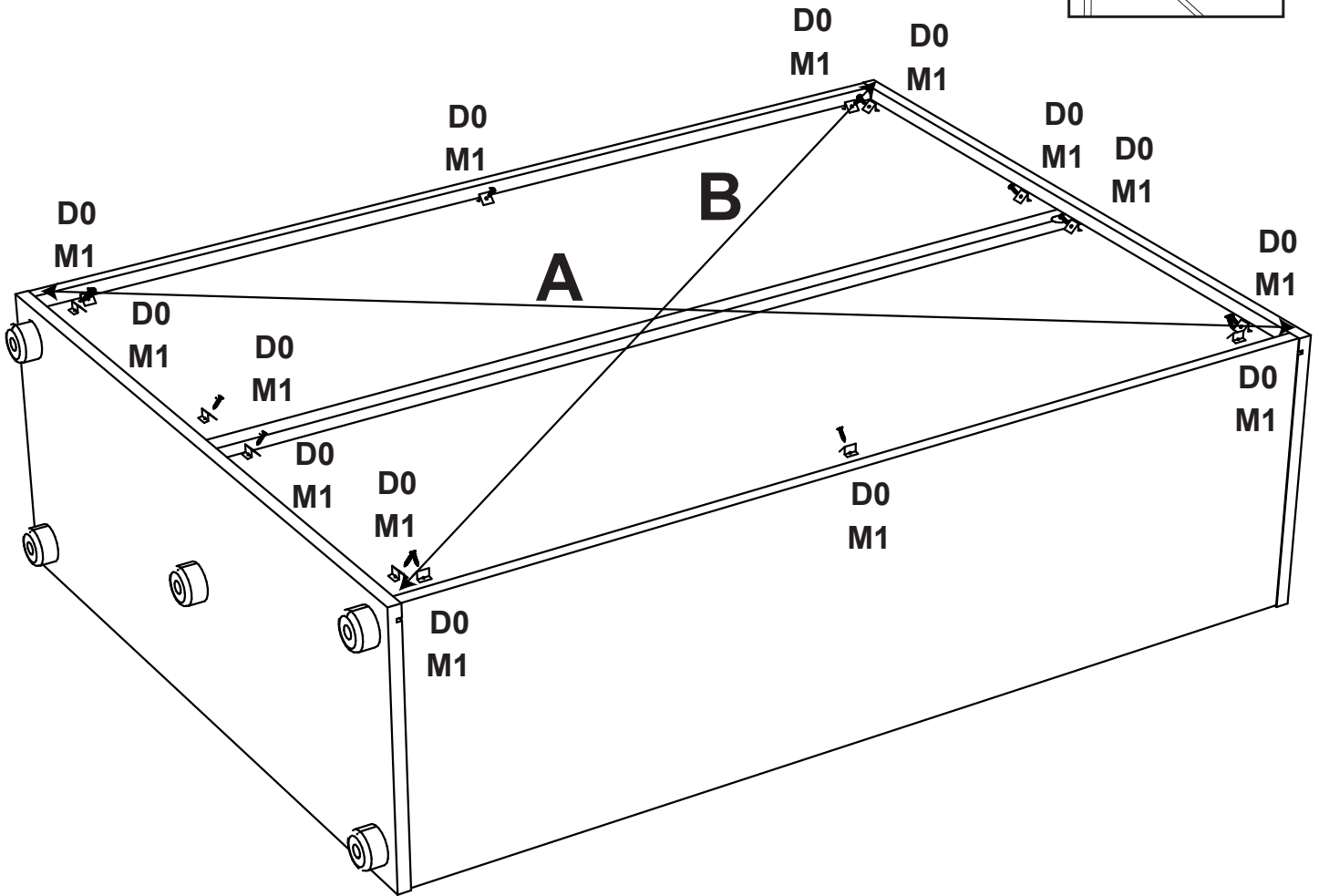
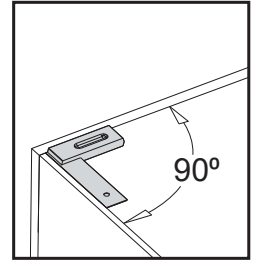


8 ▶

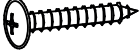
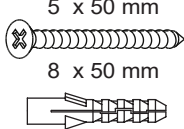
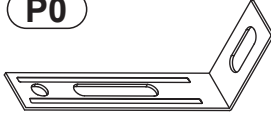


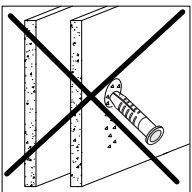
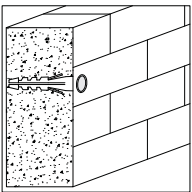
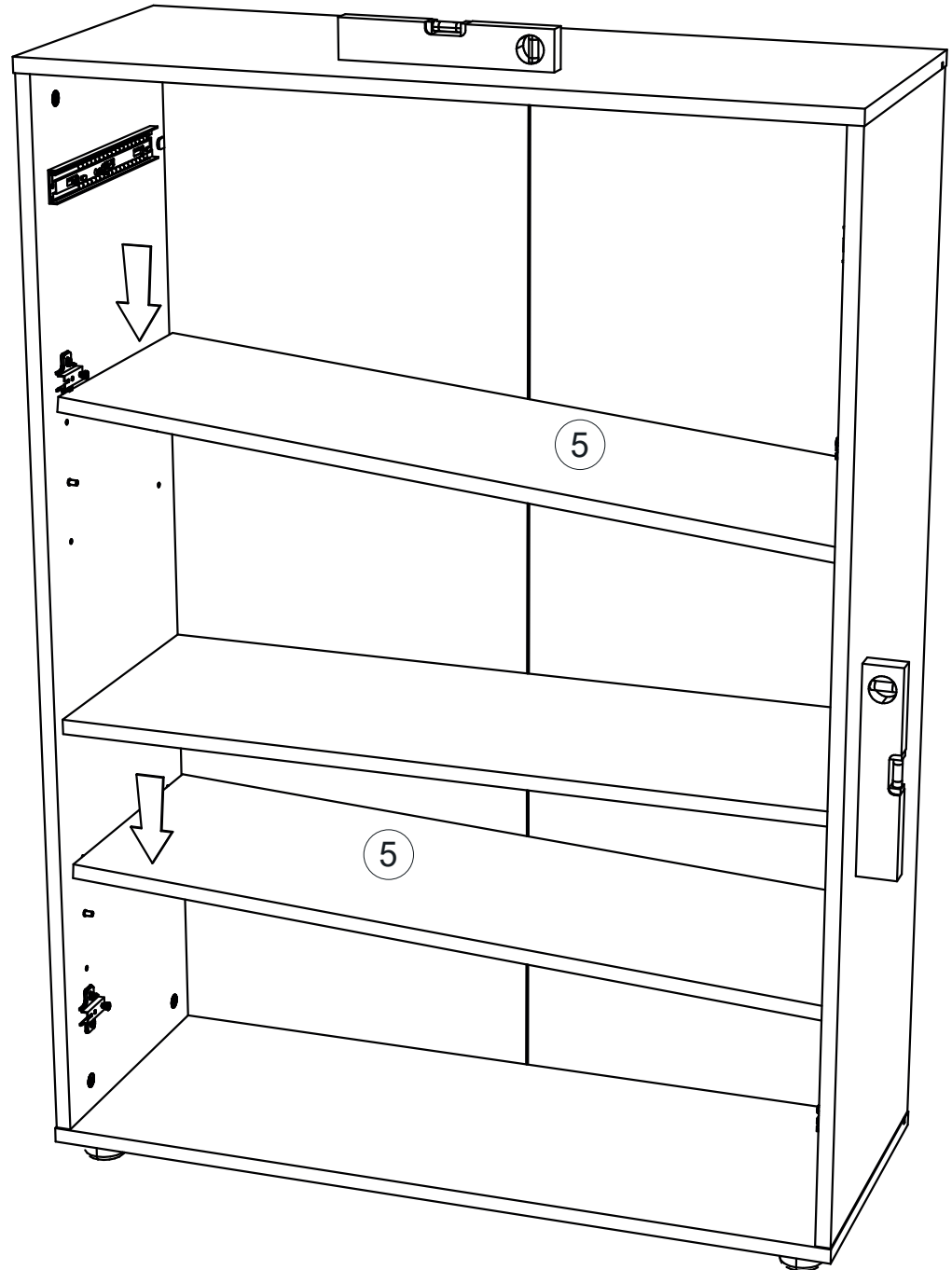
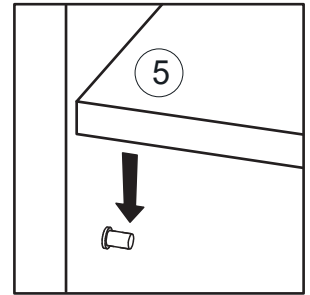
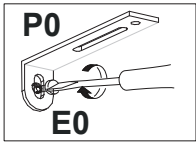
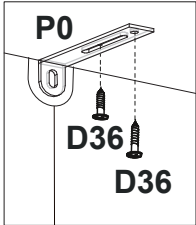
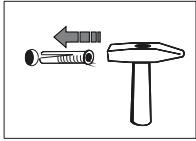
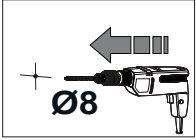
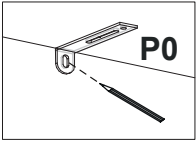
9 ▶

| | | | | | |
|-----------|---|------------|-----------|---|------------|
| D0 |  | x14 | M1 |  | x14 |
|-----------|---|------------|-----------|---|------------|


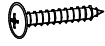
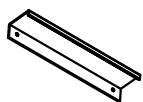


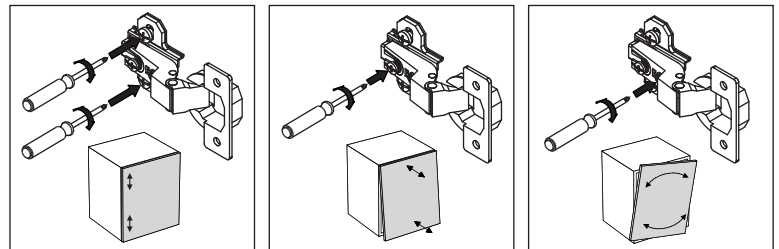
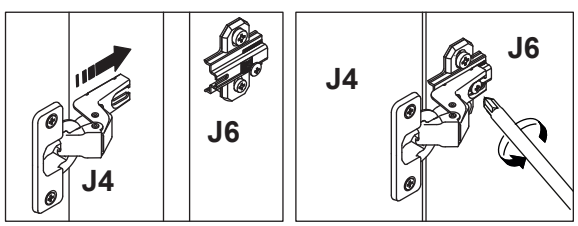
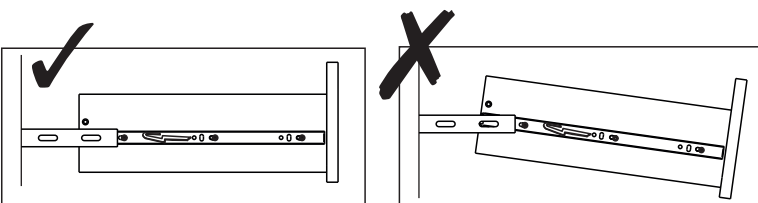
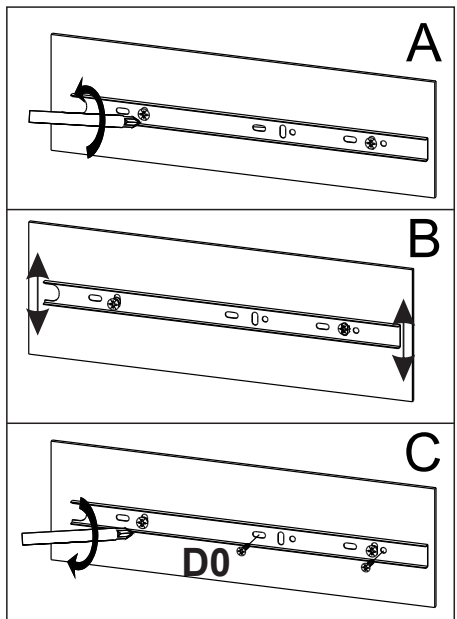
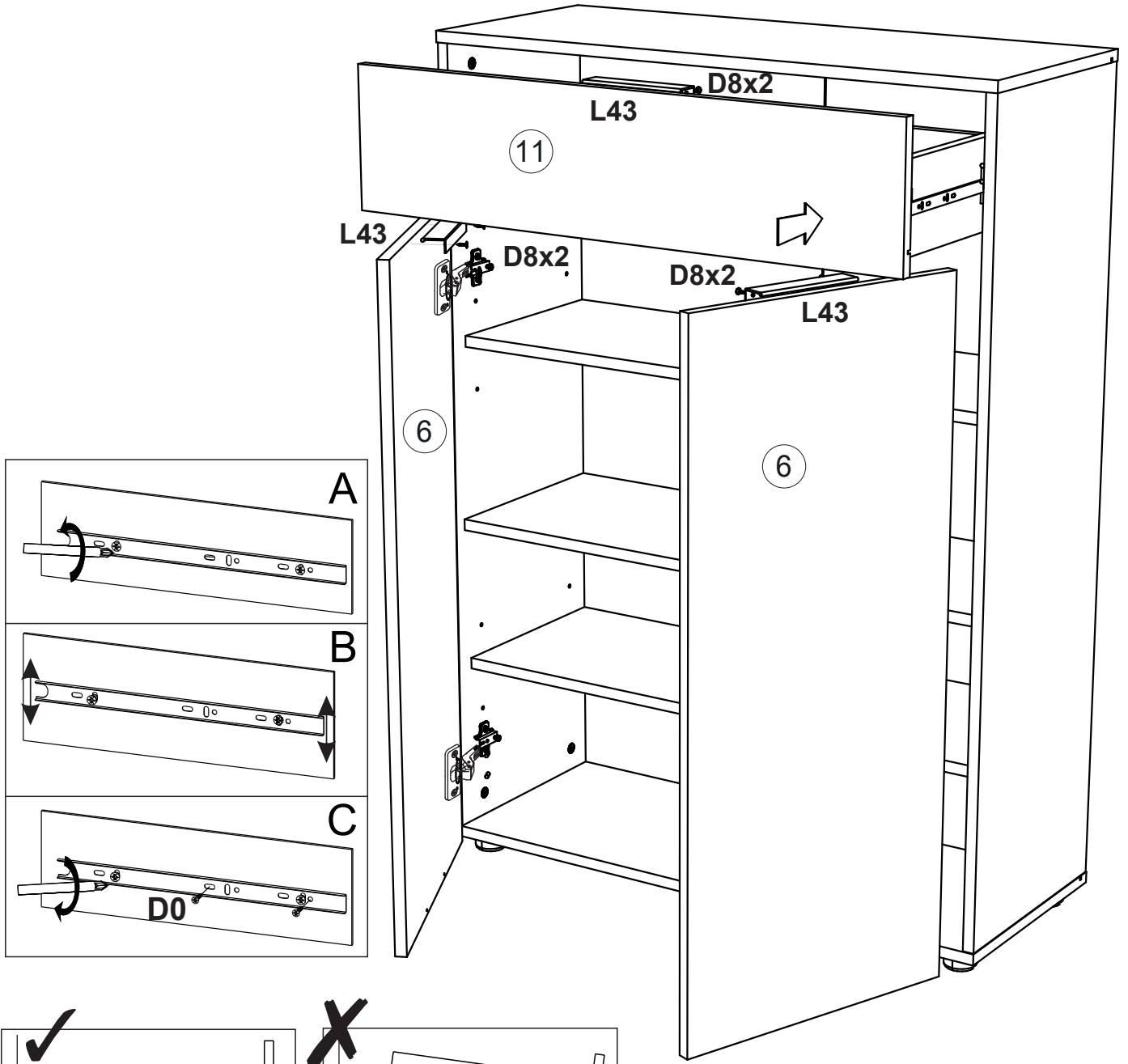
10

| | | |
|--|--|--|
| D36  x2 | E0  x1 | P0  x1 |
|--|--|--|



11 ▶

| | | | | | |
|--|-----------|--|-----------|---|-----------|
| D0  | x2 | D8  | x6 | L43  | x3 |
|--|-----------|--|-----------|---|-----------|



12▶

