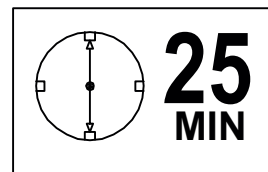
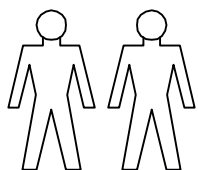


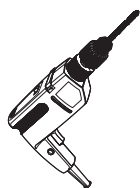
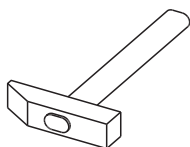
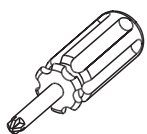
HALLWAY PANEL



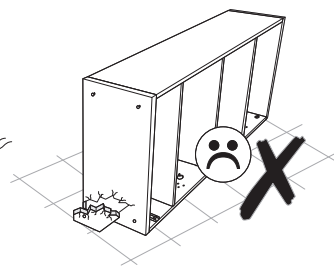
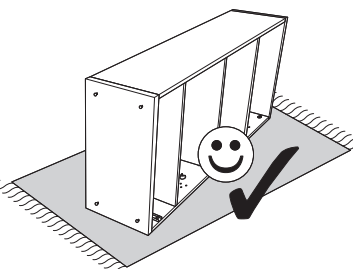
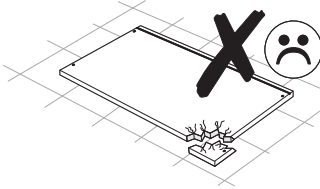
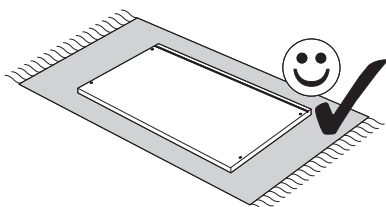
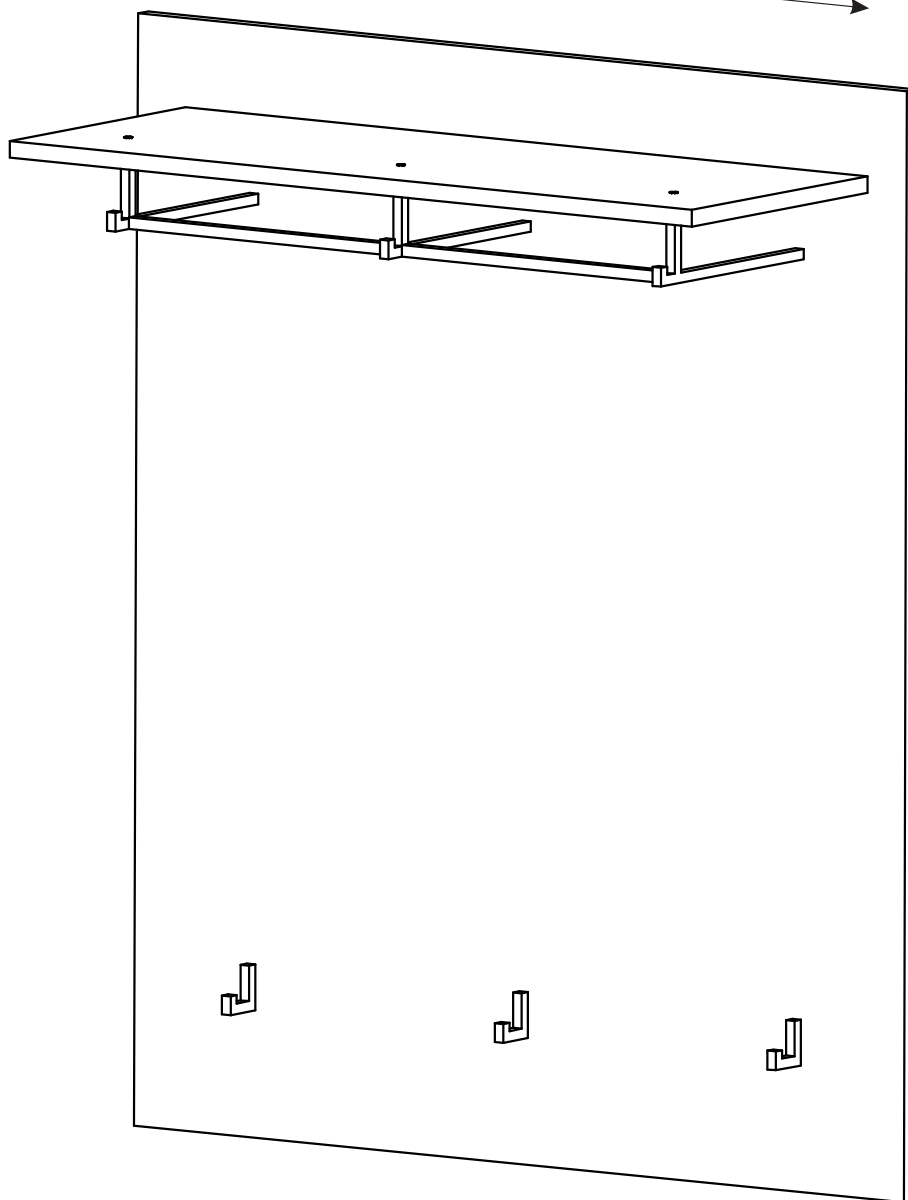
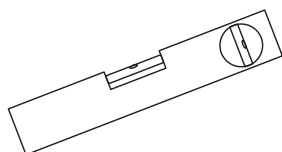
270 mm

800 mm

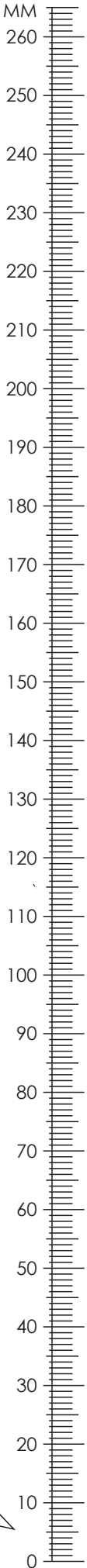
1500 mm



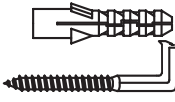

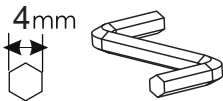

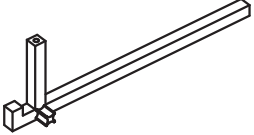
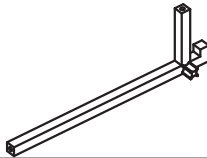
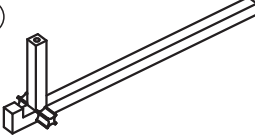
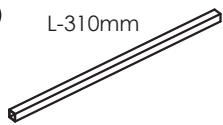



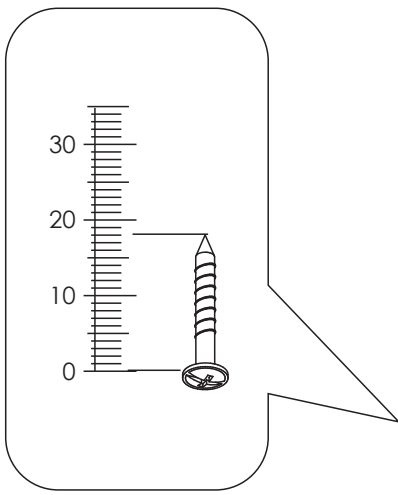
Ø8



HALLWAY PANEL




<p>B2 f 7 x 70 mm x5</p> 	<p>D22 5 x 11 mm x4</p> 	<p>E1 8 x 40 mm x2</p> 
<p>H2 4 x 22 mm x12</p> 	<p>K 4mm x1</p> 	<p>P1 x2</p> 
<p>P12 x1</p> 	<p>P13 x1</p> 	<p>P14 x1</p> 
<p>P15 L-310mm x2</p> 	<p>P16 x3</p> 	

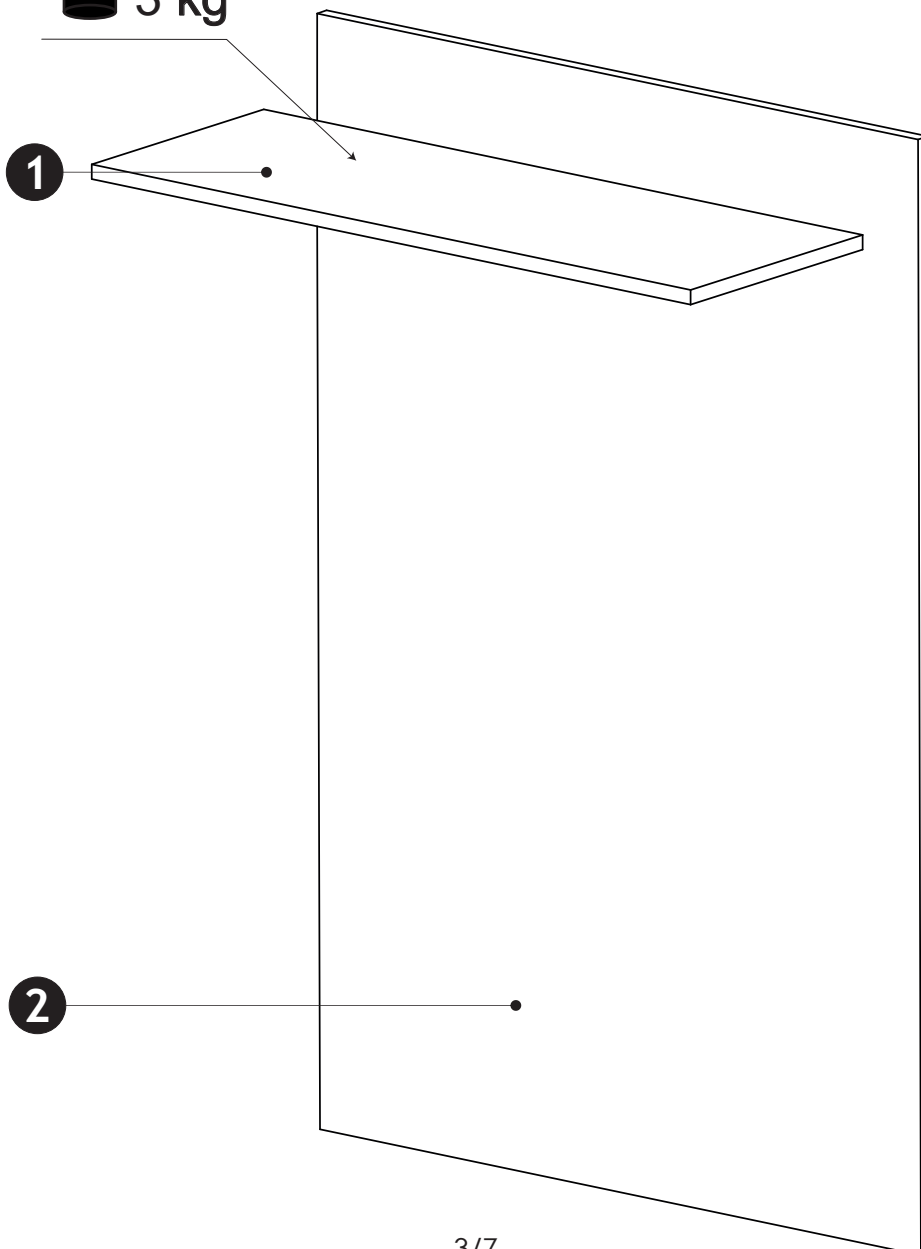


HALLWAY PANEL





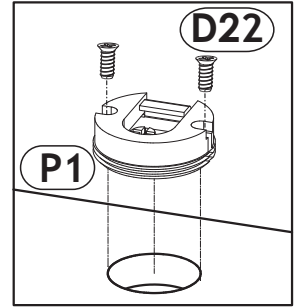
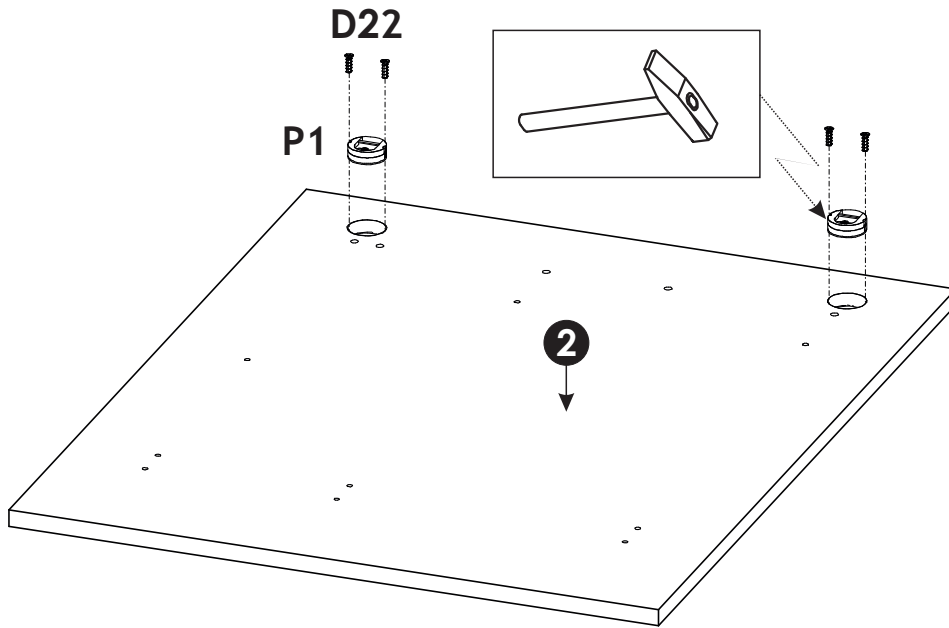
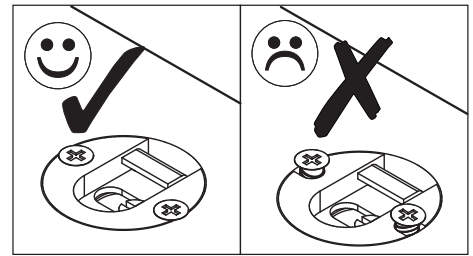
 max.
3 kg

1	700	254	16	x1	1/1
2	800	1500	16	x1	1/1
					1/1

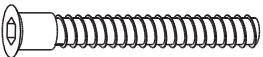
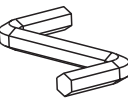


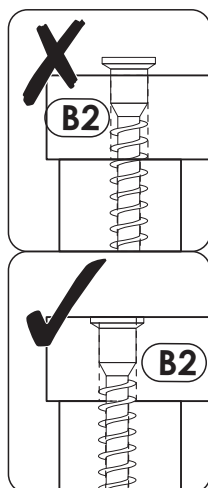
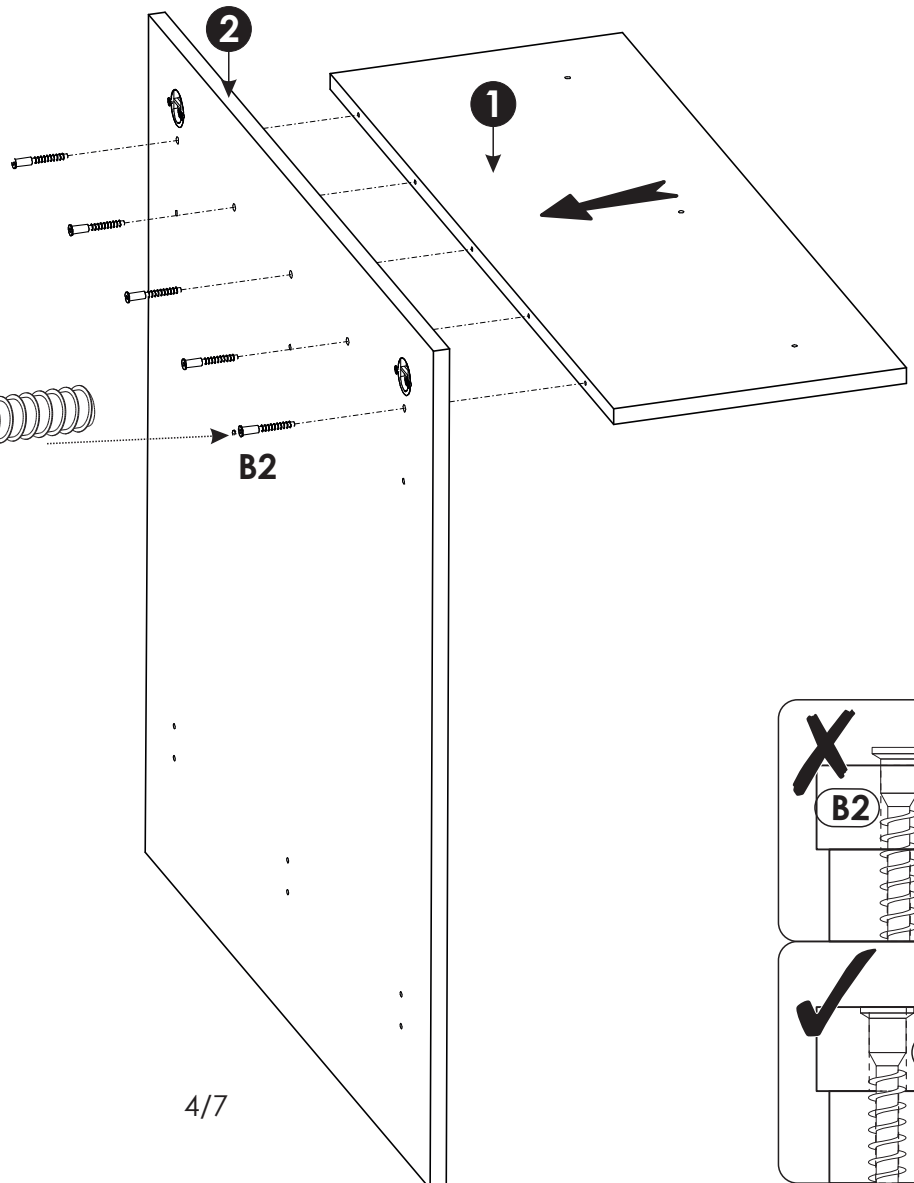
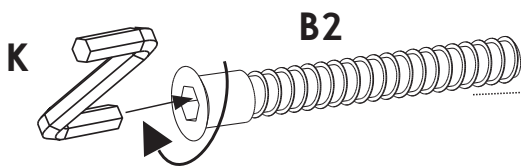
1 ▶

D22 5 x 11 mm 	x4	P1 	x2
--	-----------	--	-----------

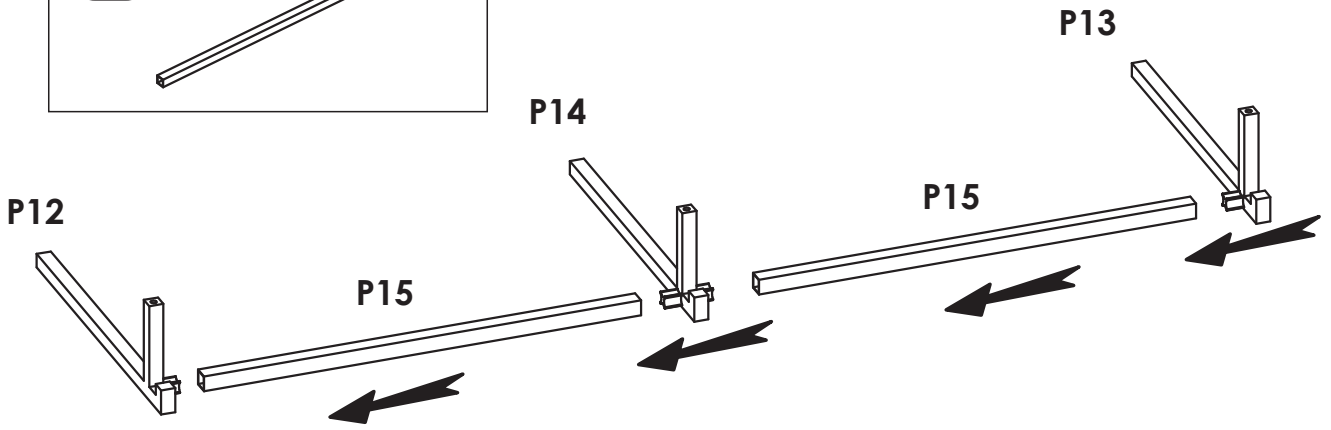
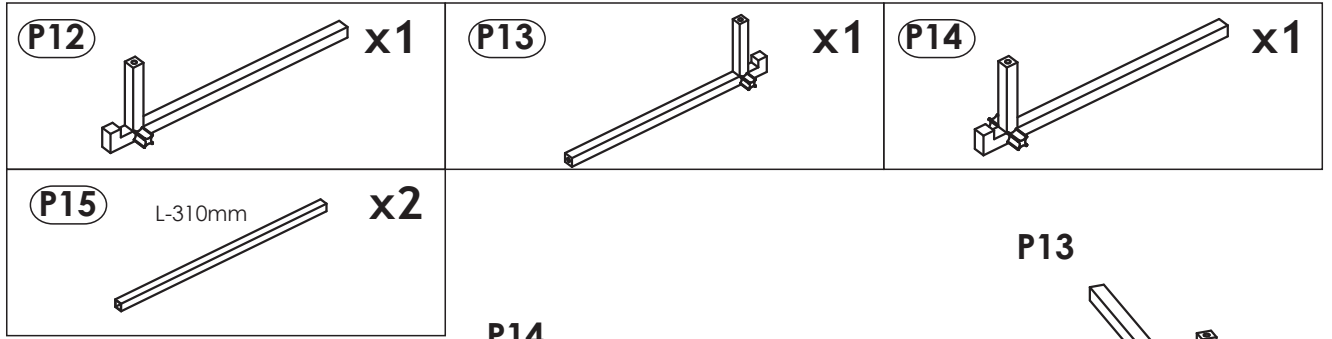


2 ▶

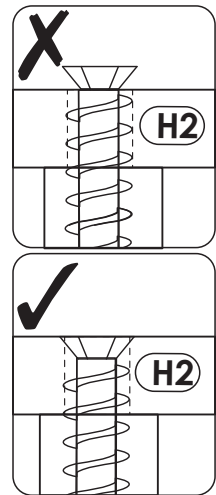
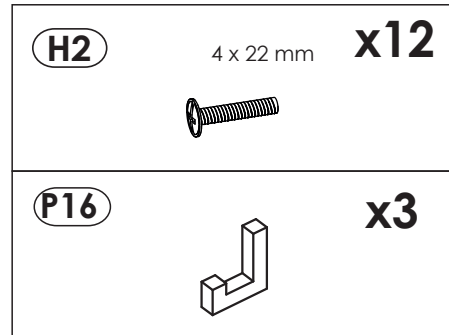
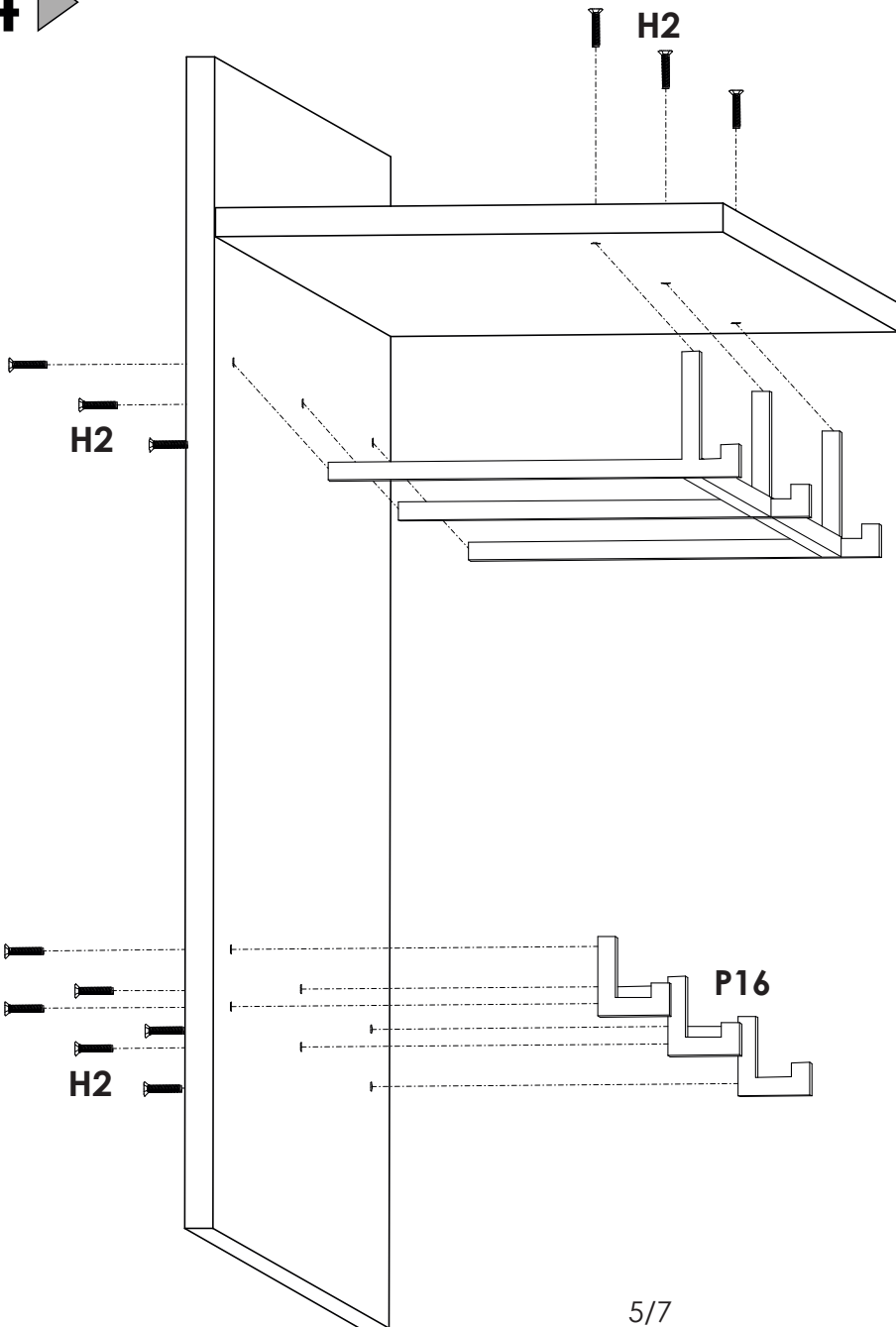
B2 f 7 x 70 mm 	x5
K 4mm 	x1



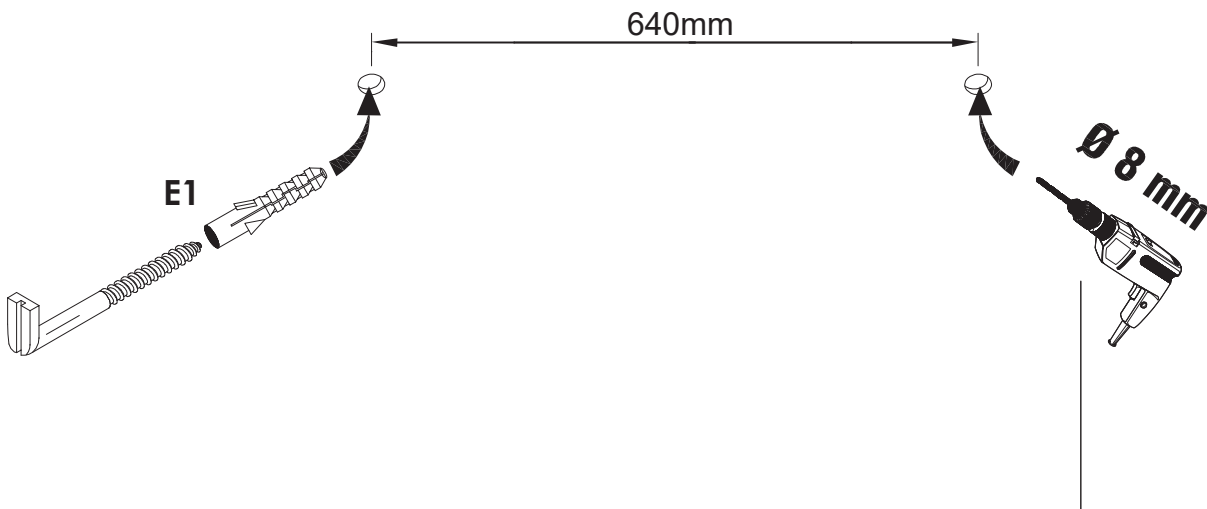
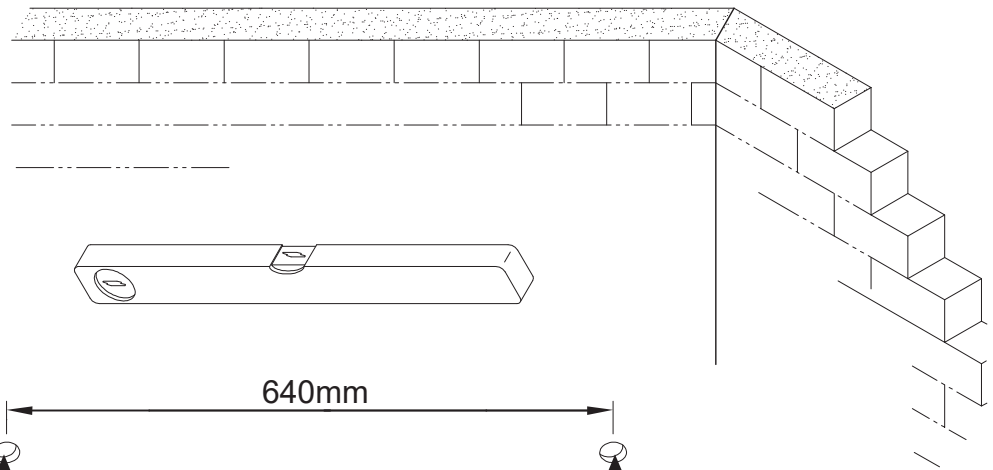
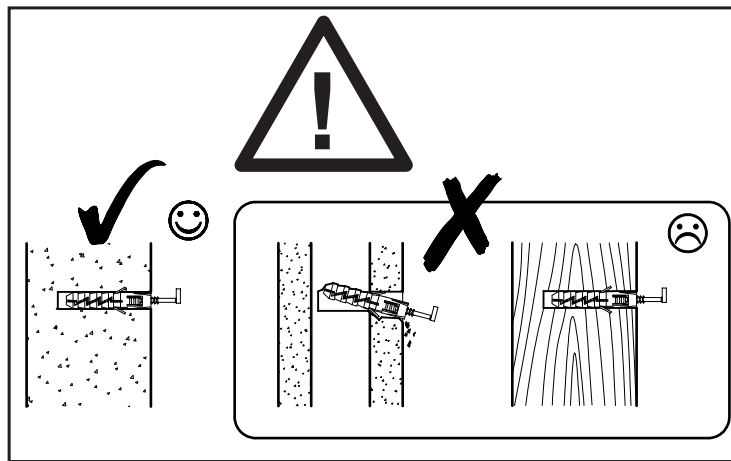
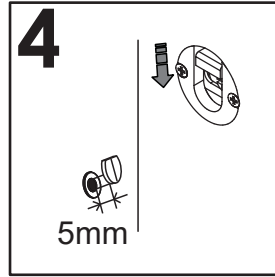
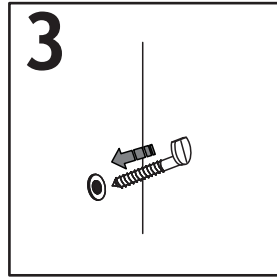
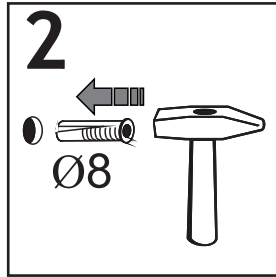
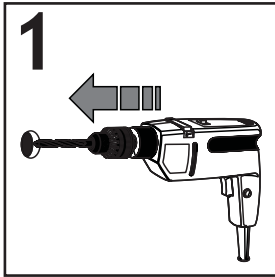
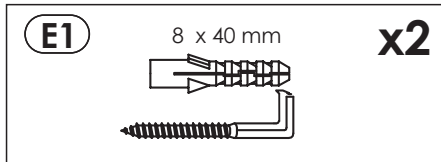
3



4



5 ▶



6 ▶

