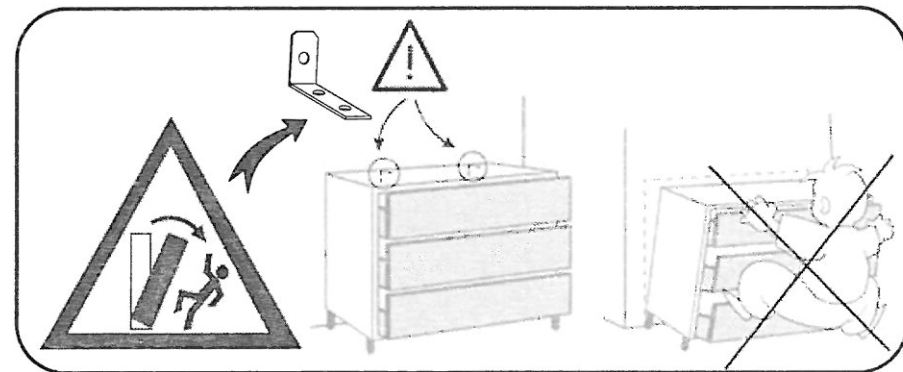
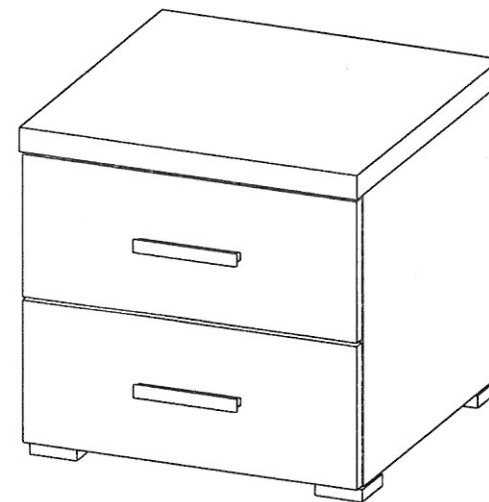
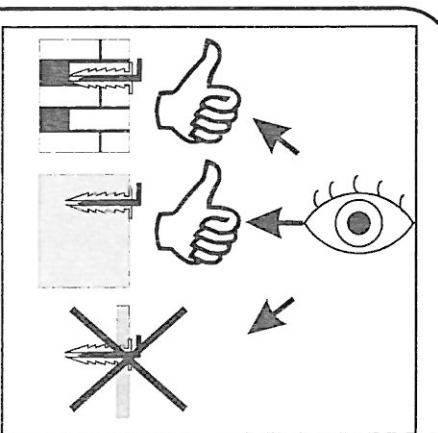
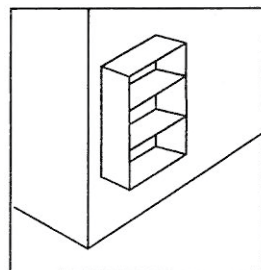
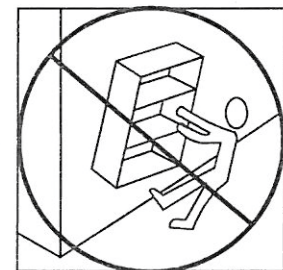
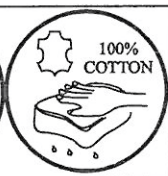
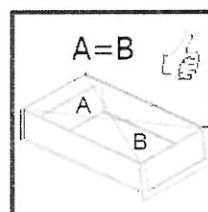
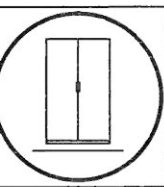
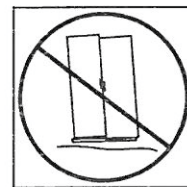
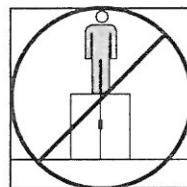
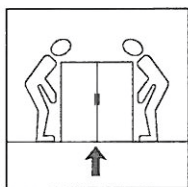
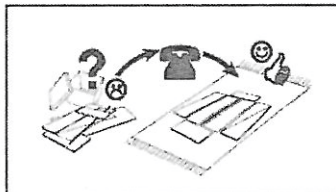
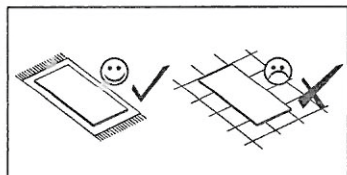
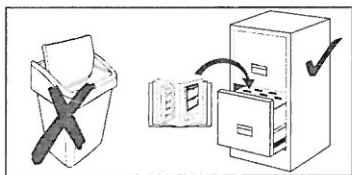
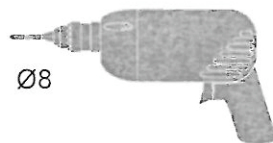
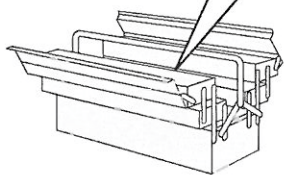
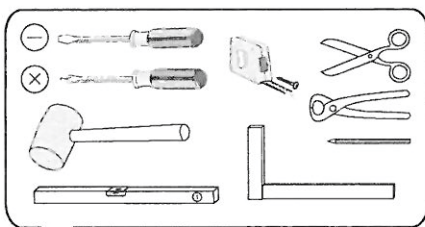
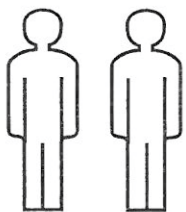
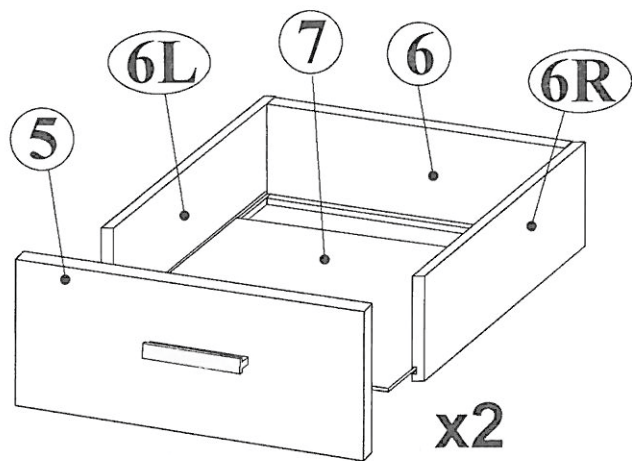
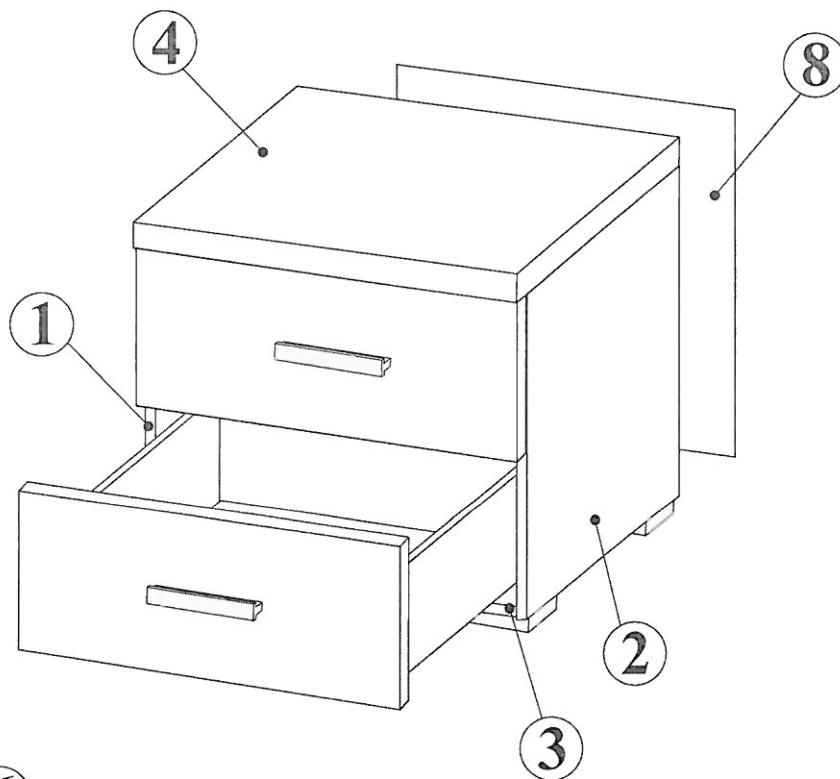






UTAH

1 / 5









NR 1

| | | | |
|------------|---|----------------|----|
| B1 |  | ϕ 8x28 | x8 |
| M1 |  | ϕ 15x12mm | x8 |
| T1 |  | 5x39mm | x8 |
| J23 |  | | x4 |

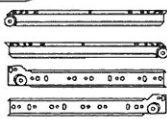

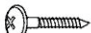

NR 3

| | | | |
|------------|---|------|----|
| U20 |  | | x2 |
| P4 |  | 4x25 | x4 |

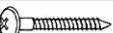


NR 4

| | | | |
|------------|---|------|----|
| N20 |  | | x4 |
| S2 |  | 4x30 | x8 |

NR 2

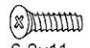



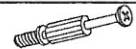

| | | | |
|------------|---|----------|--------|
| R22 |  | L-350 mm | x2L/2R |
| E2 |  | 6,0x11 | x12 |
| P3 |  | 3x13mm | x8 |
| S3 |  | 3,5x13 | x4 |

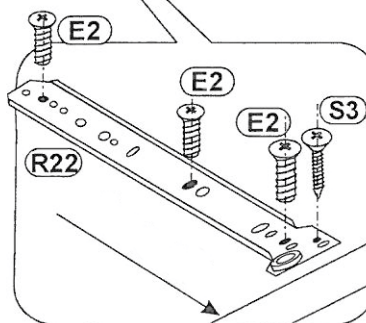
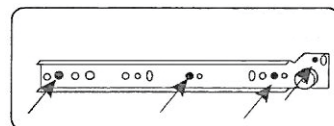
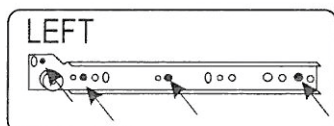
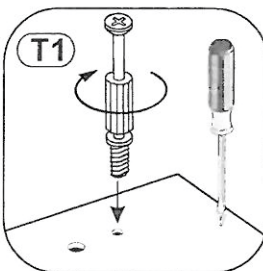
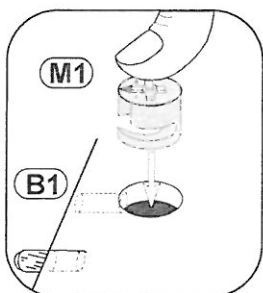
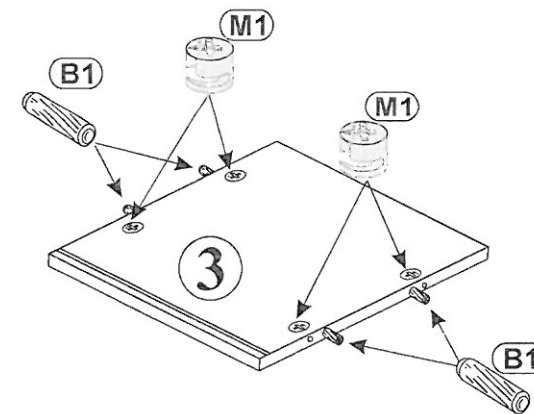
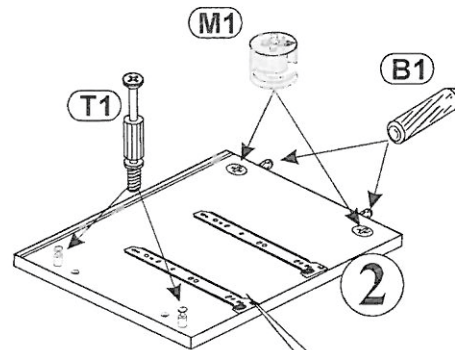
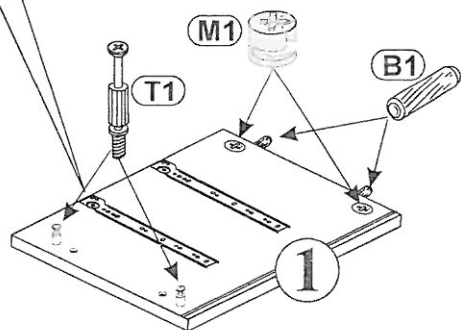
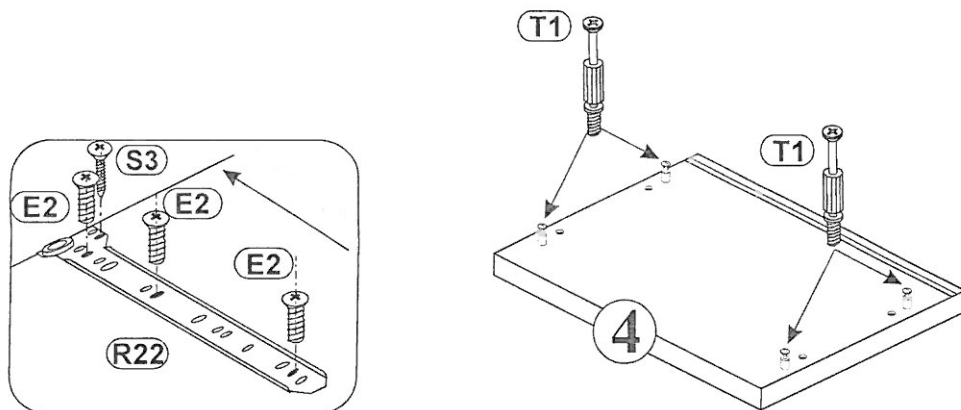
NR 5

| | | | |
|-----------|---|----------------|----|
| P5 |  | 4x30 | x8 |
| M2 |  | ϕ 12x10mm | x4 |
| T2 |  | 5x35mm | x4 |

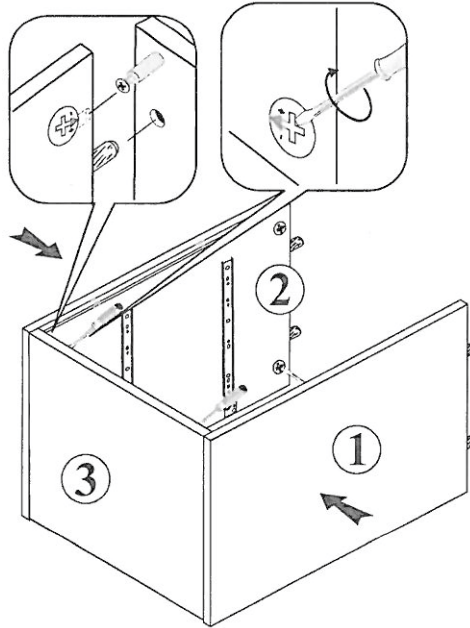


1

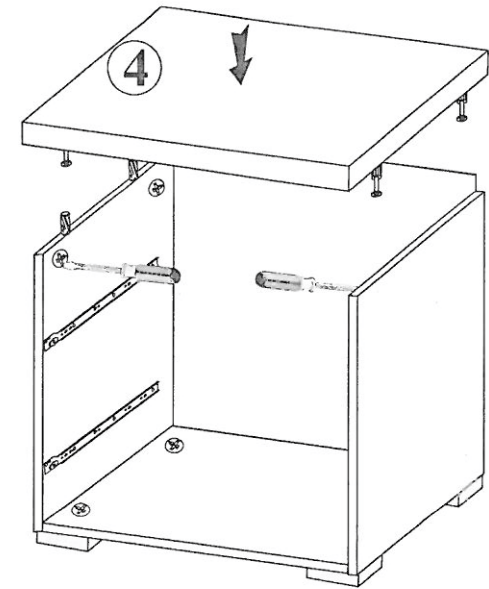
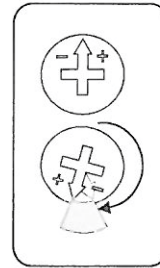
| | |
|--|---|
| E2  6,0x11 x12 | B1  ϕ 8x28 x8 |
| S3  3,5x13 x4 | M1  ϕ 15x12mm x8 |
| T1  5x39mm x8 | |
| R22 L-350 mm  x2L/2R | |



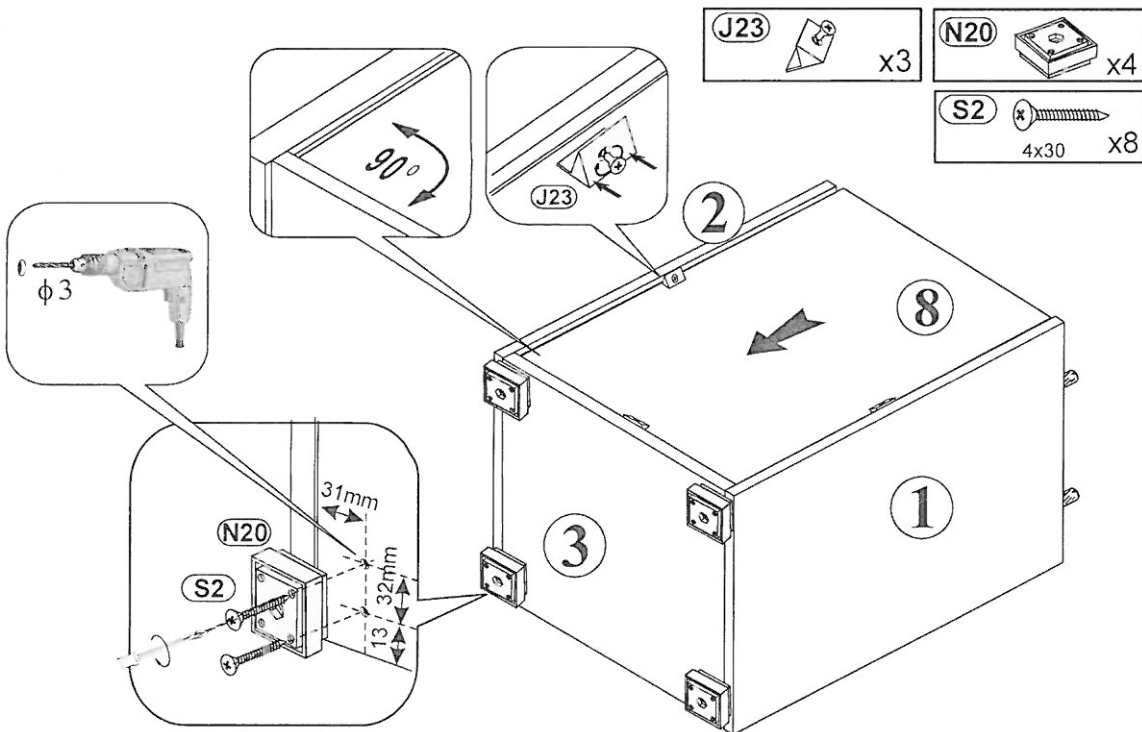
2



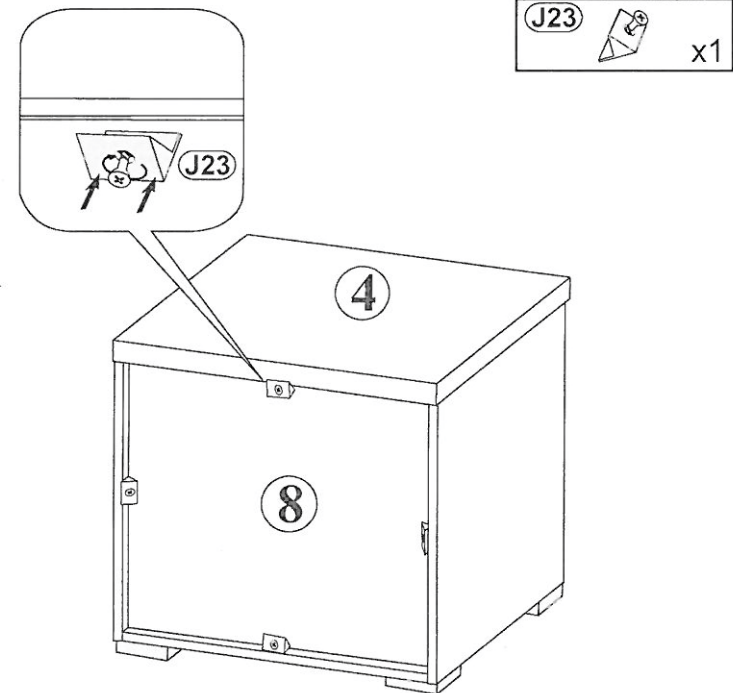
4



3

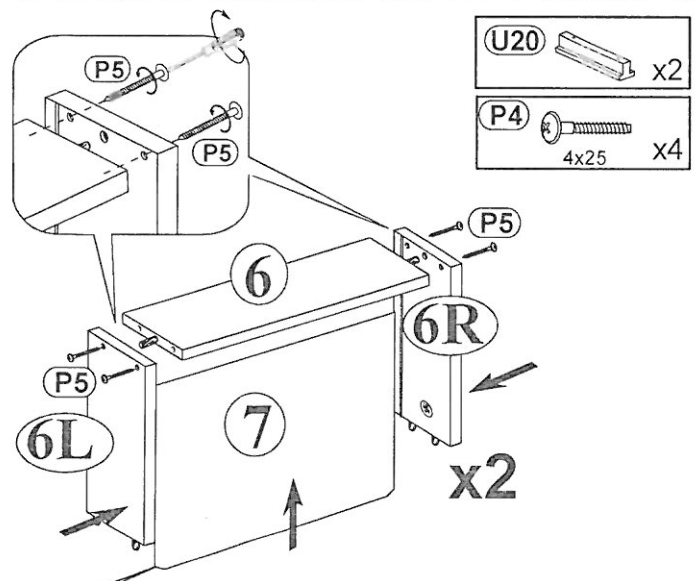
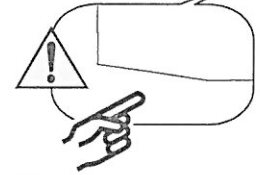
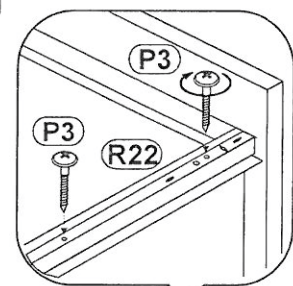
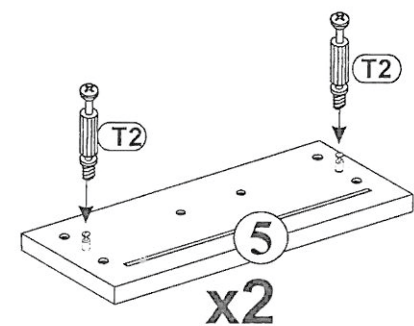
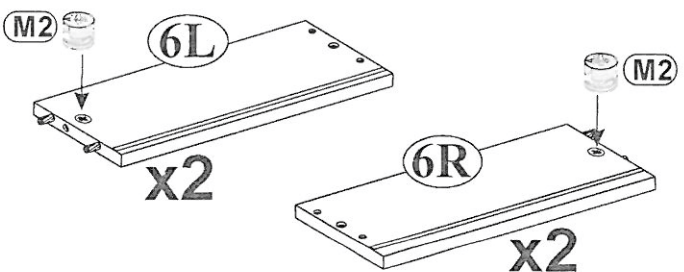


5

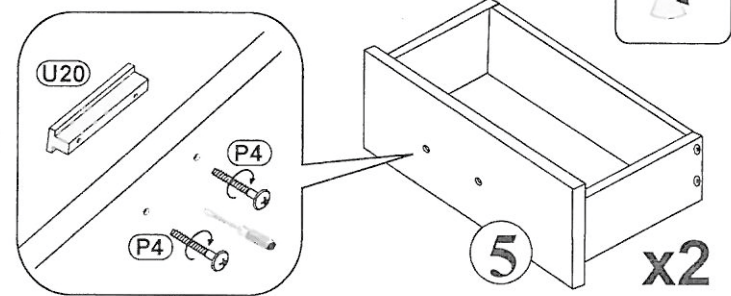
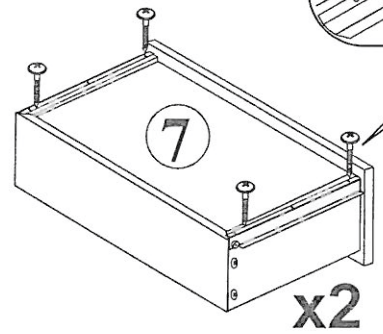
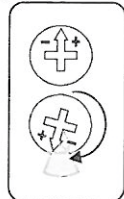
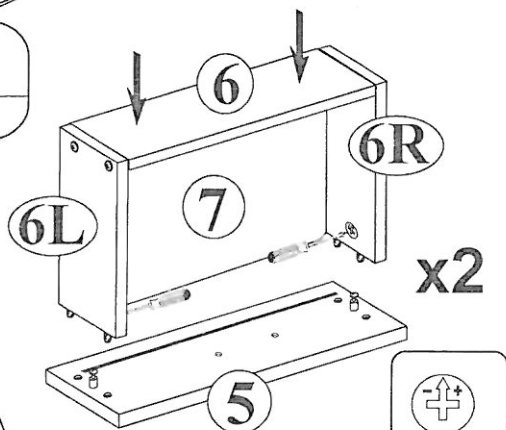


6

- R22** L-350 mm
x2L/2R
- P5** 4x30 x8
- M2** ϕ 12x10mm x4
- P3** 3x13mm x8
- T2** 5x35mm x4



- U20** x2
- P4** 4x25 x4



7

