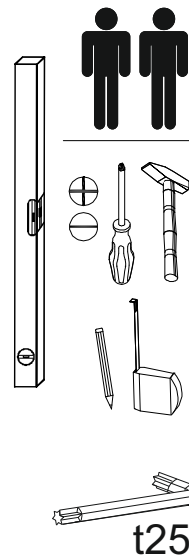
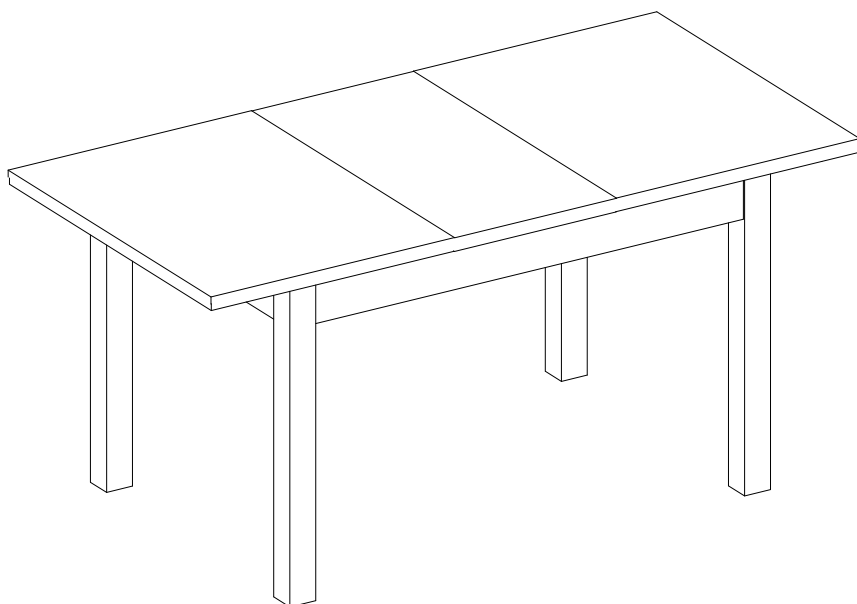
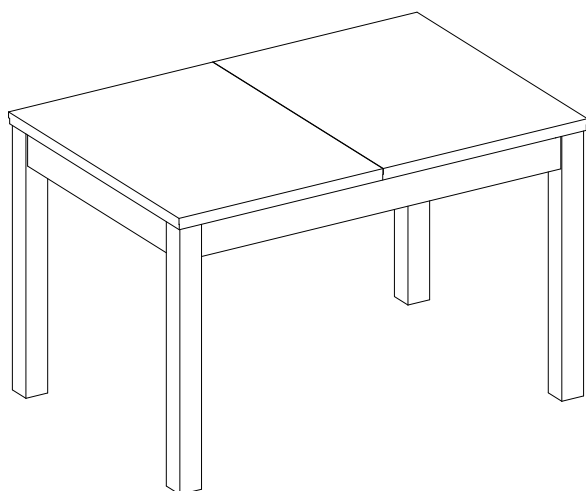

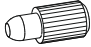

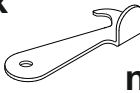
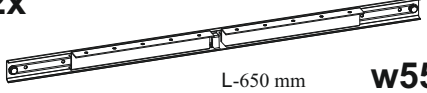
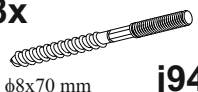
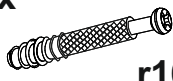
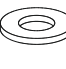
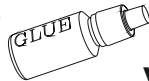
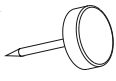


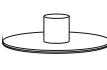


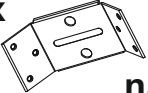
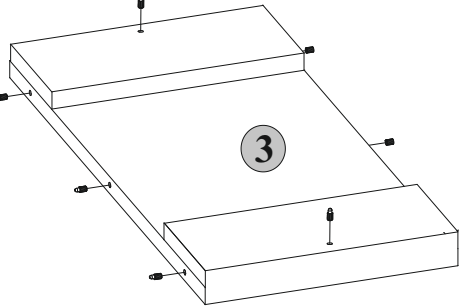
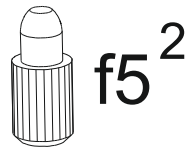
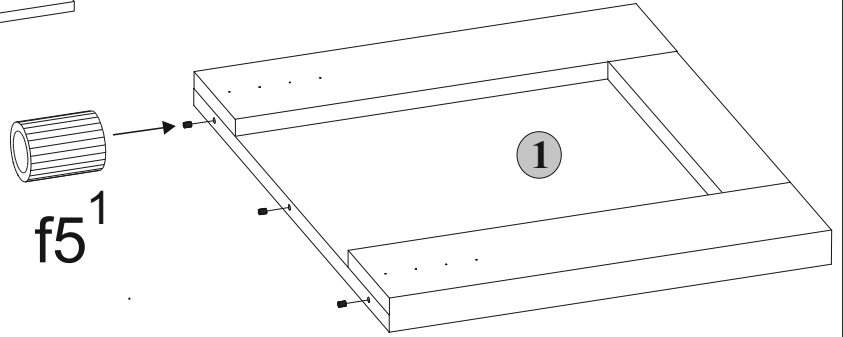
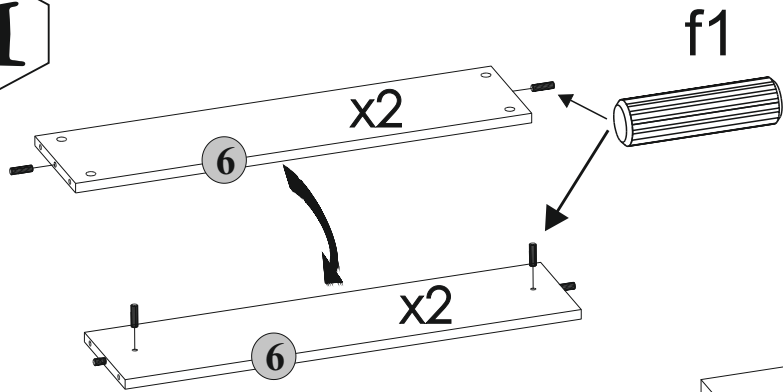


Table (extendable)

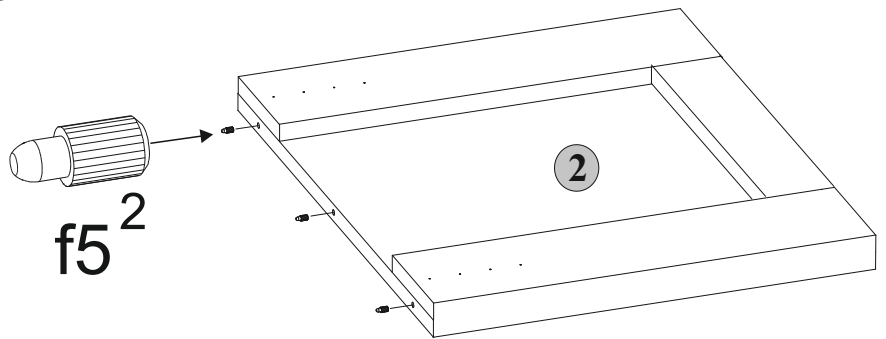


36x  $\phi 6.3 \times 13 \text{ mm}$ e2	8x  f5²	8x  f5¹	4x  n17	2x  L-650 mm w55	
8x  $\phi 8 \times 70 \text{ mm}$ j94	8x  r16	8x  g26	1x  y1	16x  k1	8x  $\phi 15 \text{ \#16}$ r1
28x  $\phi 3.5 \times 16 \text{ mm}$ p3	8x  s2	8x  j97	8x  $\phi 8 \times 30 \text{ mm}$ f1	4x  n57	1

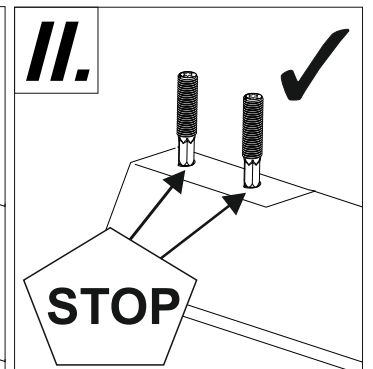
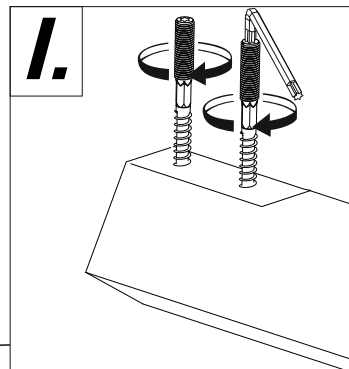
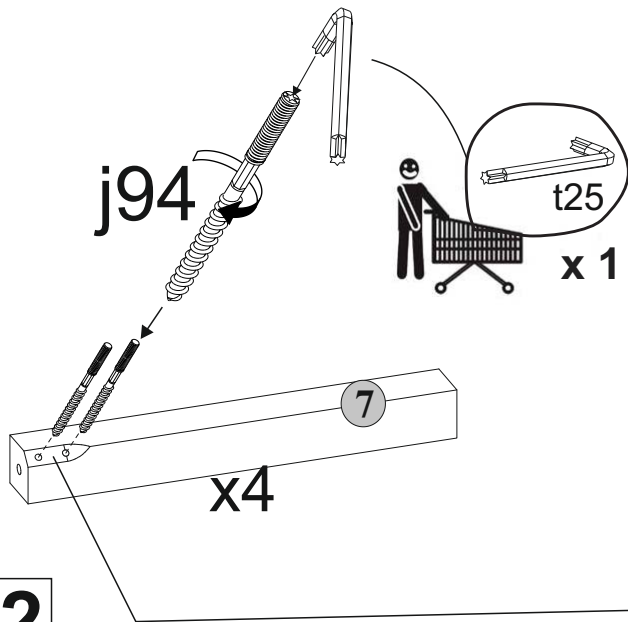
I



2

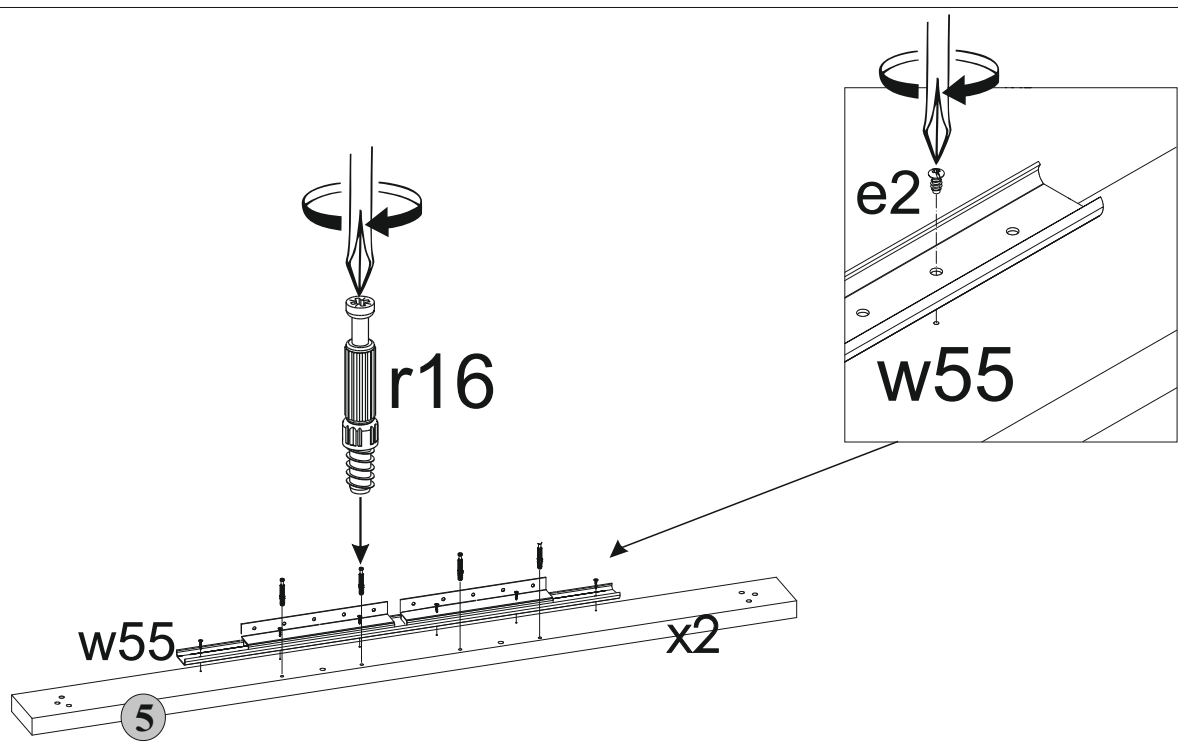


f5²

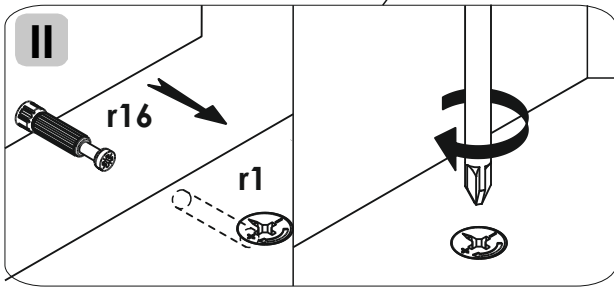
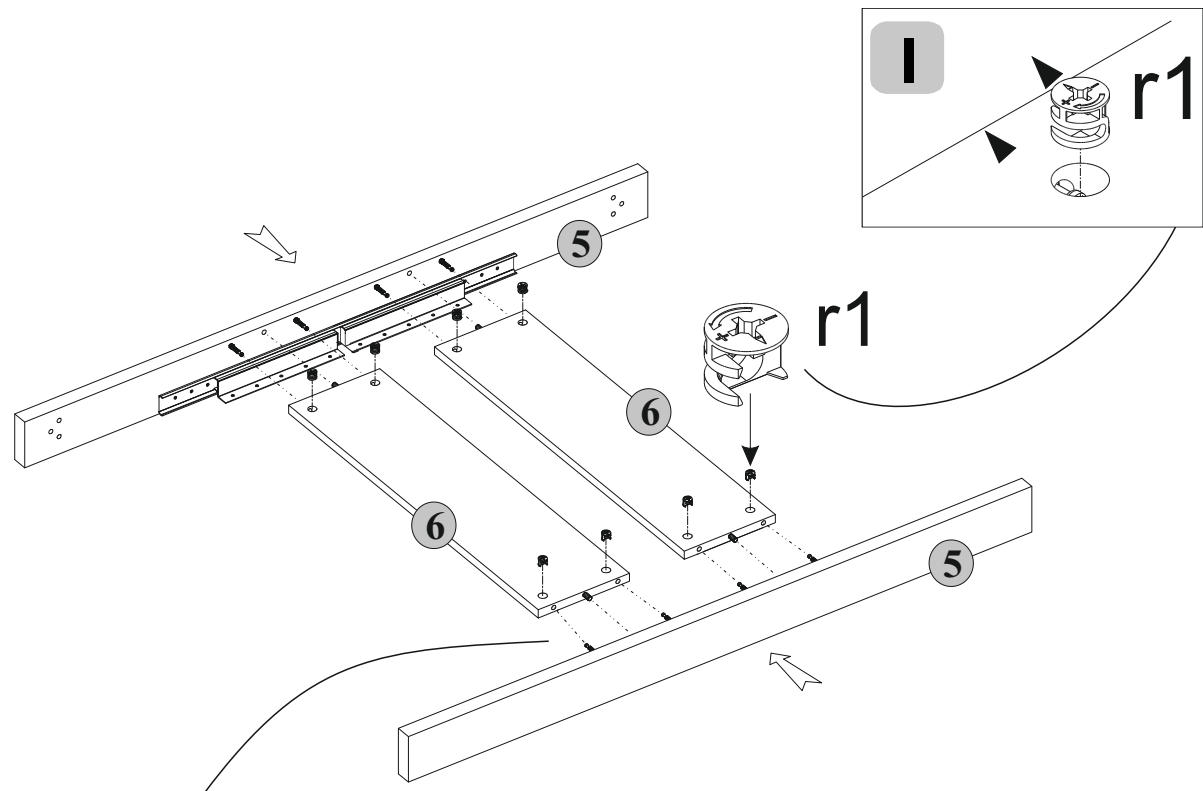


2

3

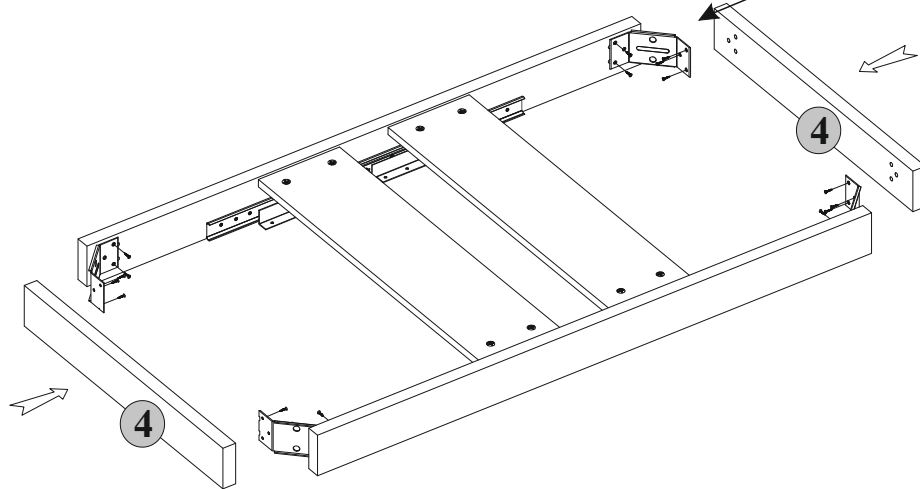
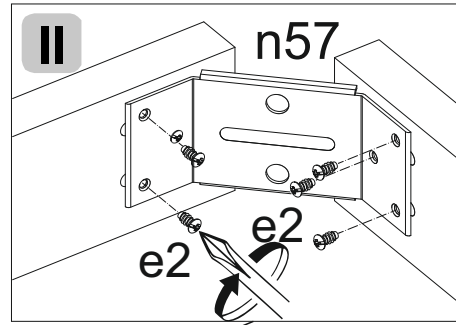
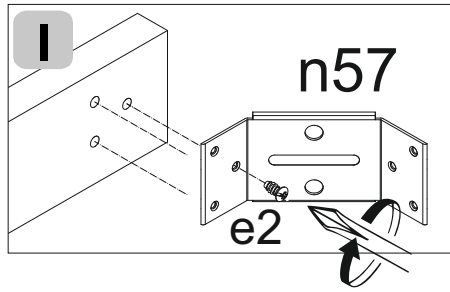


4

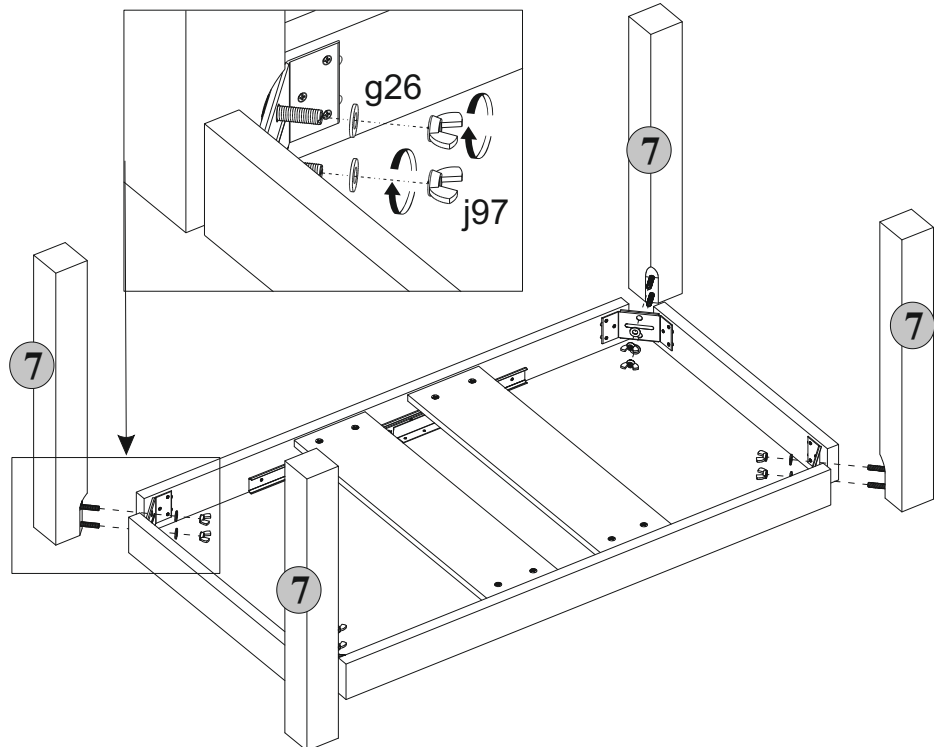


3

5

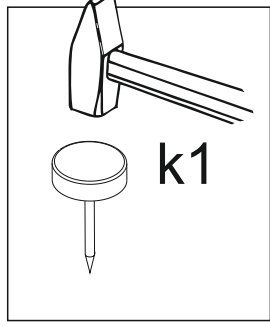
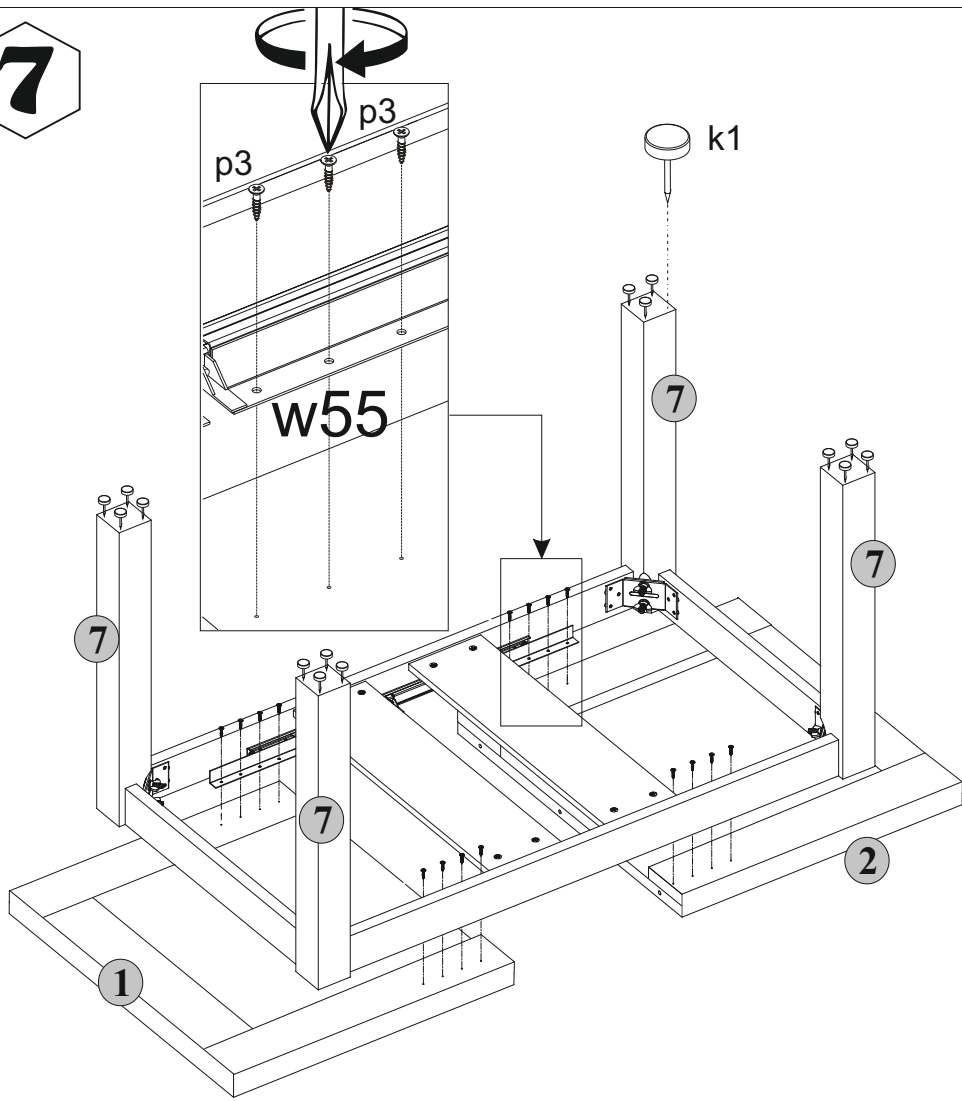


6

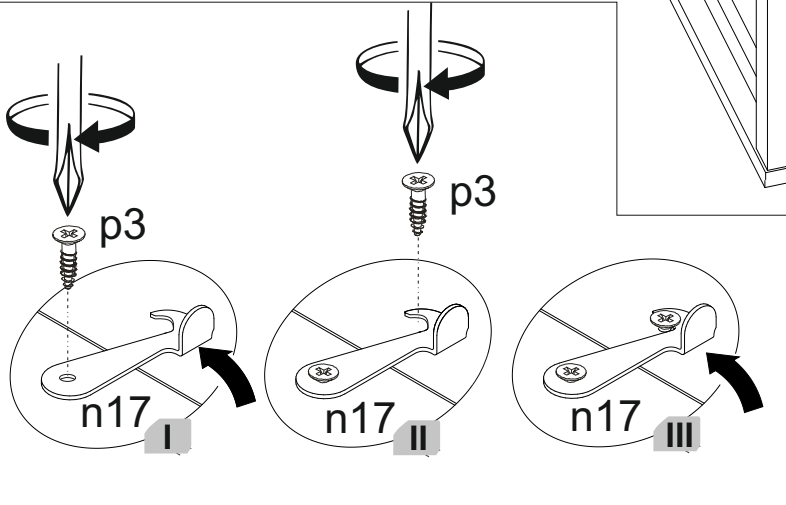
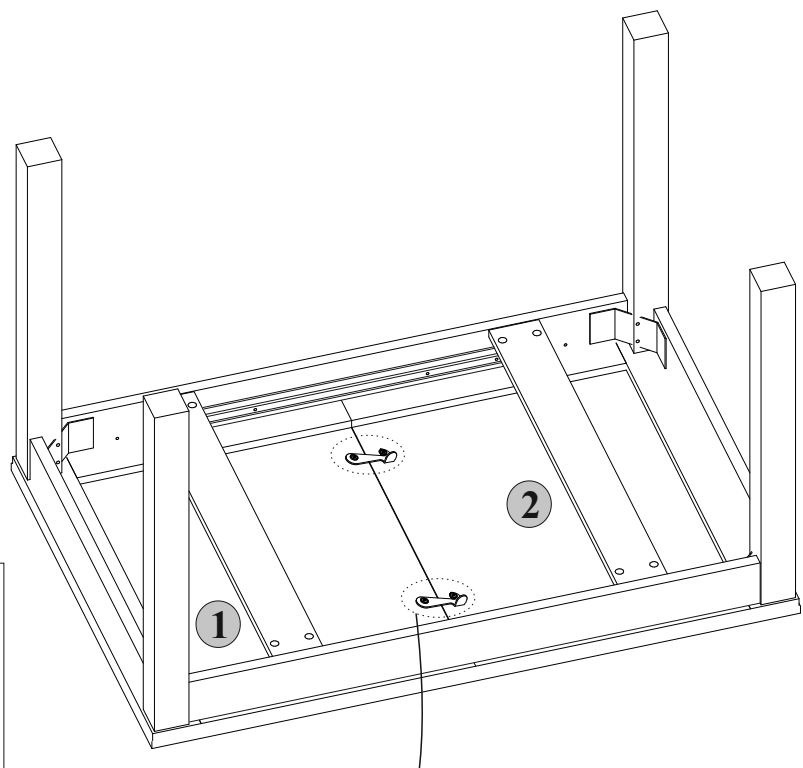


4

7

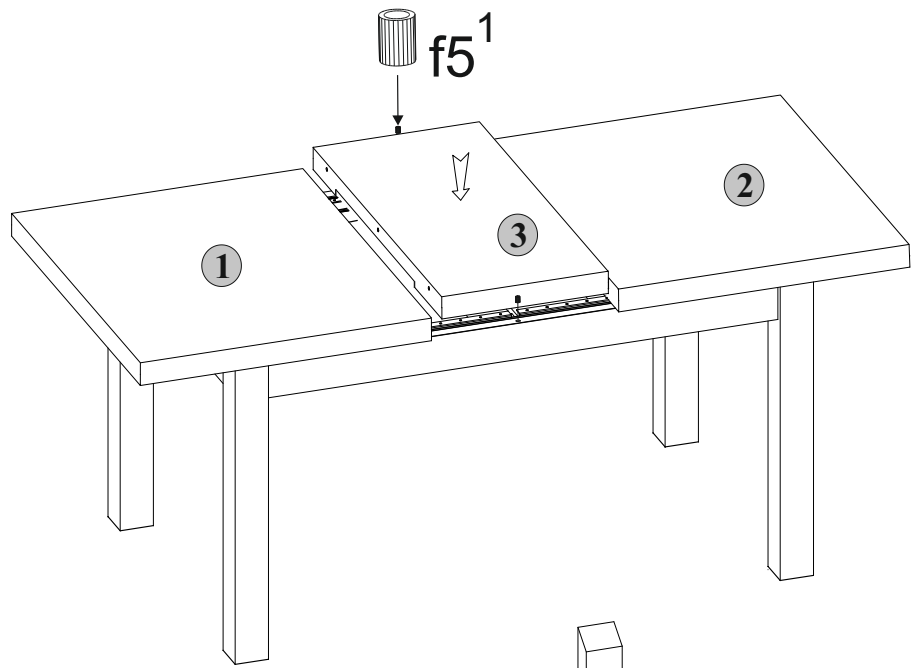


8

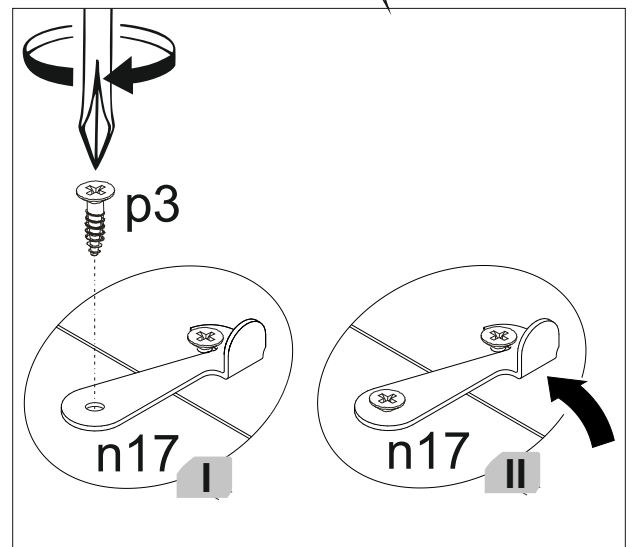
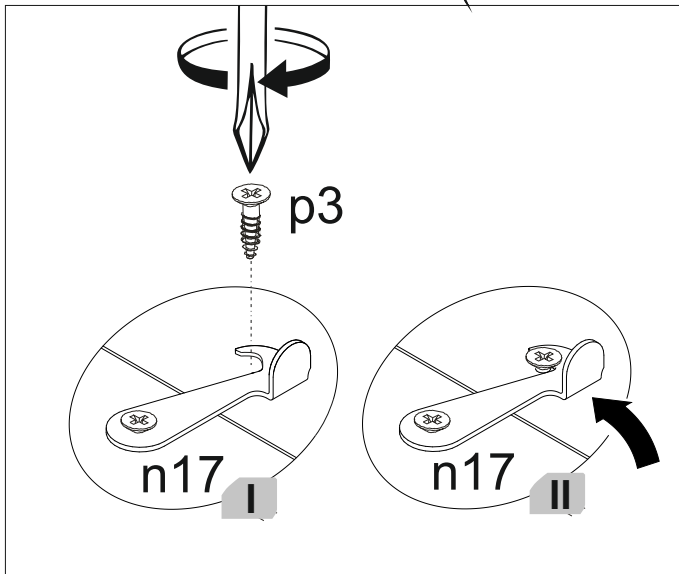
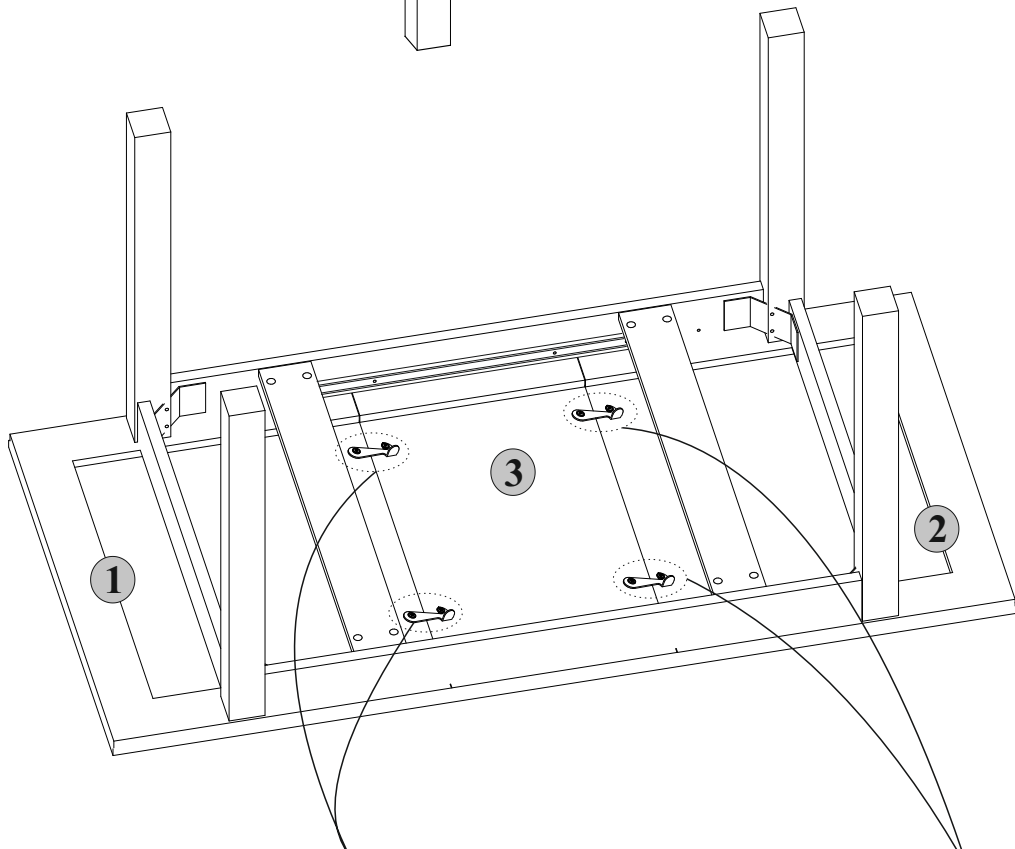


5

9

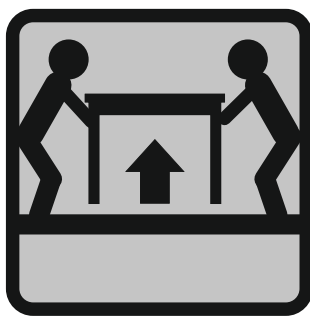
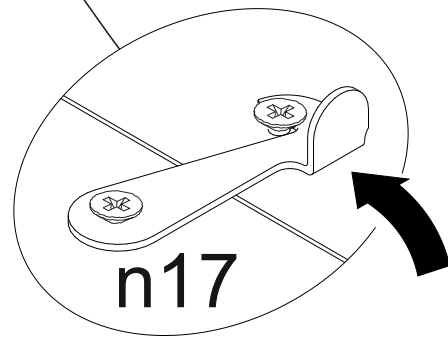
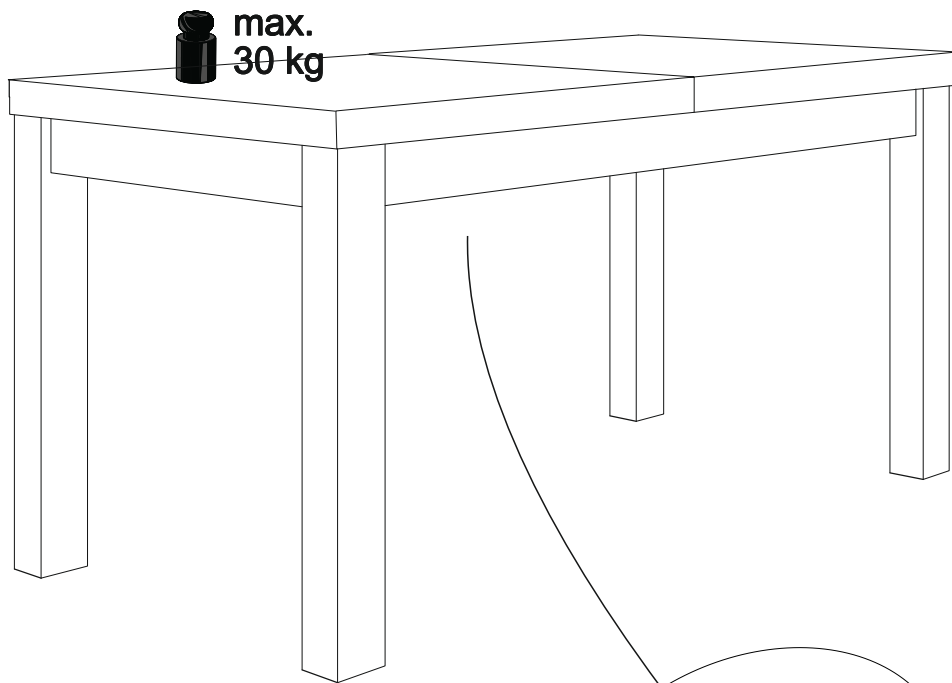


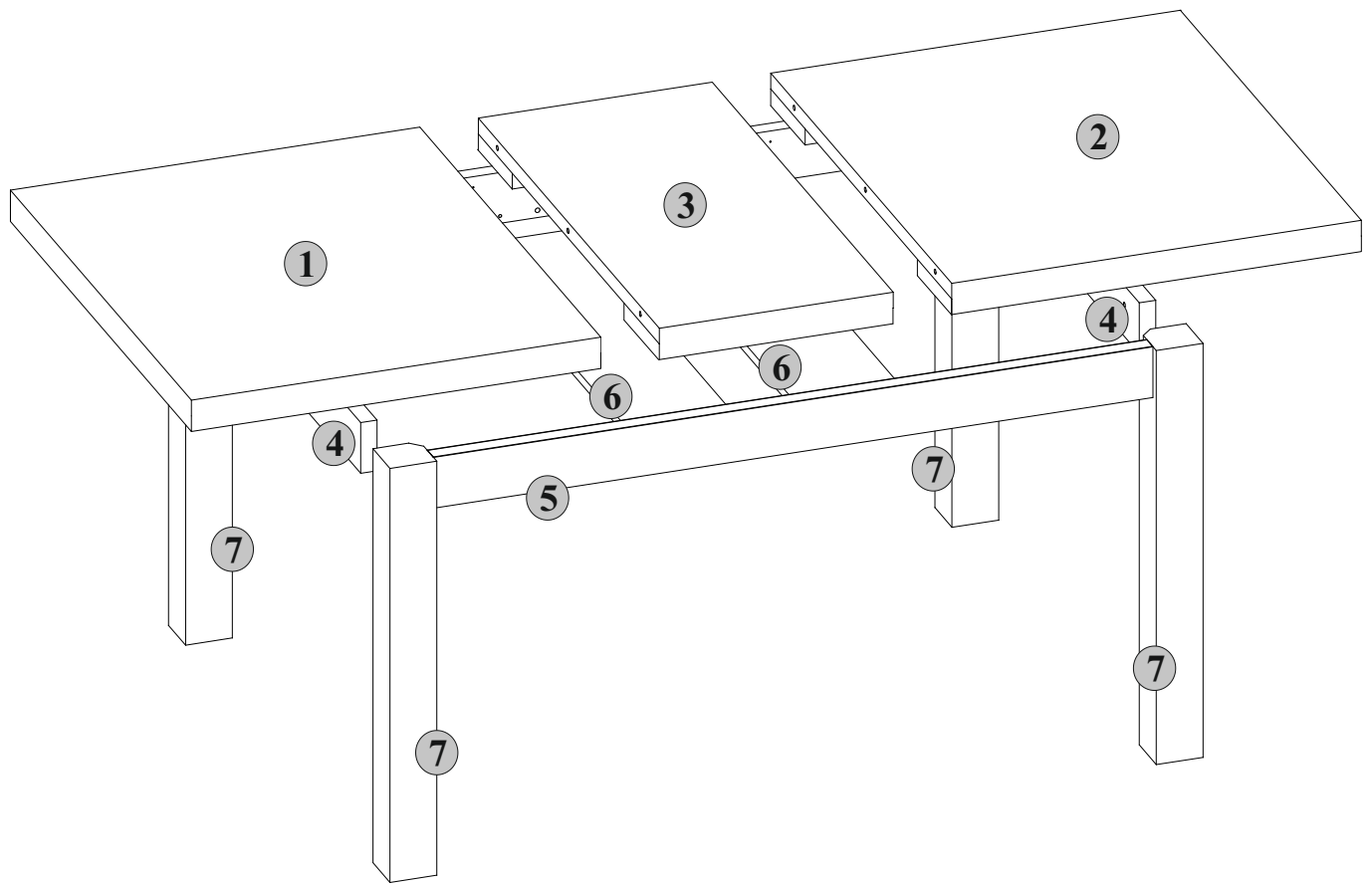
10



6

11





number	Measurements	Pcs.
1	583x680	1
2	583x680	1
3	400x680	1
4	542x92	2
5	1028x92	2
6	612x92	2
7	722x64	4