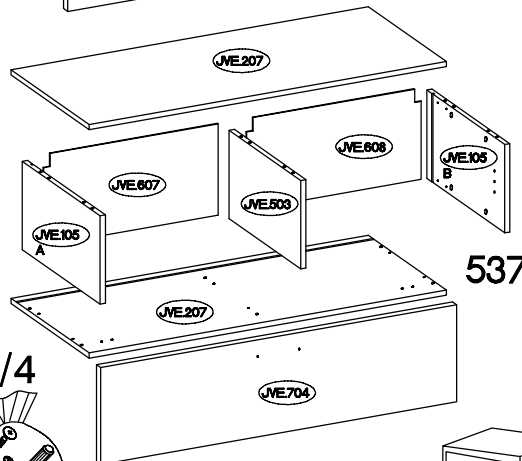
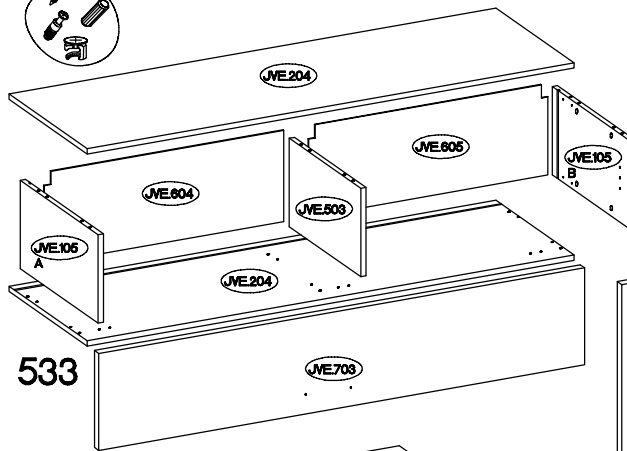
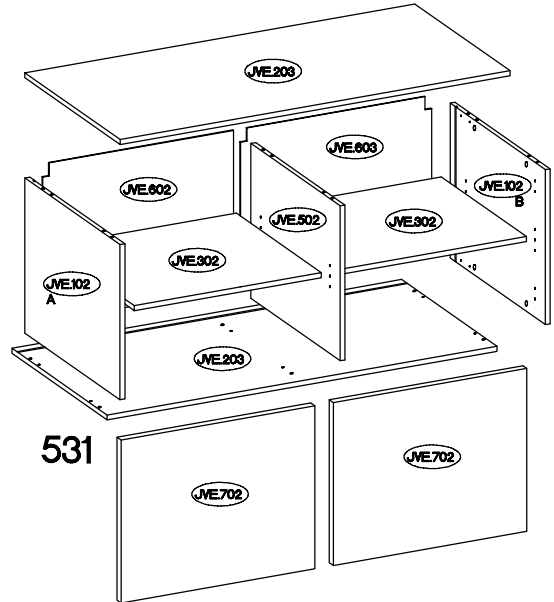
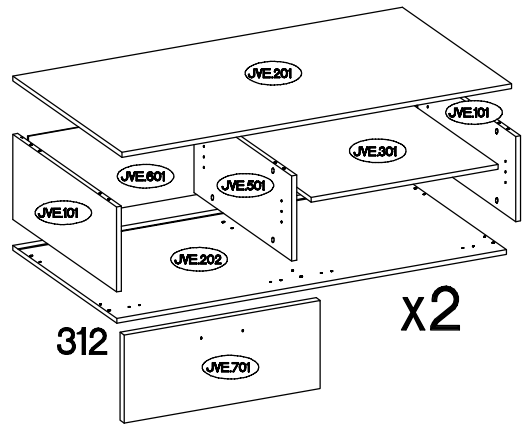
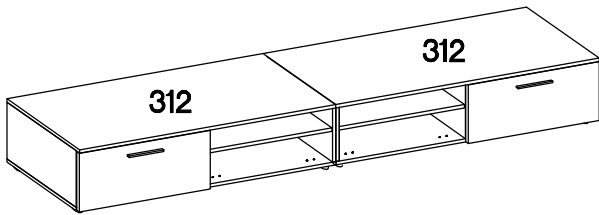
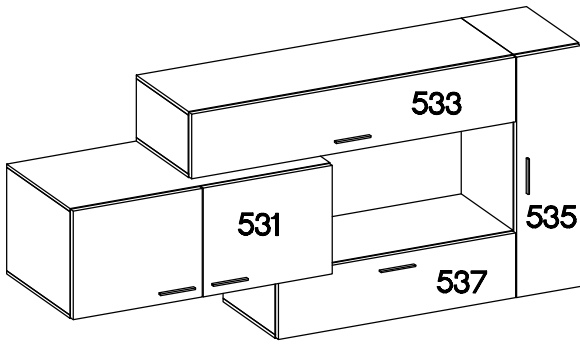
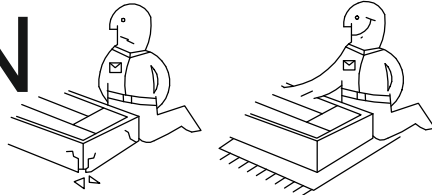
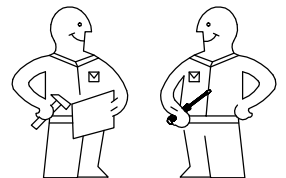
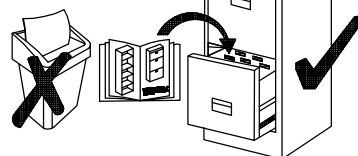


DUBLIN



Balenie	Typ	Číslo dielov	Rozmery
1/4	312	JVE.601 x2	267x595x2,5
		JVE.701 x2	604x267x15
	531	JVE.102 x2	470x352x15
		JVE.203 x2	1200x353x15
		JVE.302 x2	576x315x15
		JVE.502	470x330x15
		JVE.602	479x588x2,5
		JVE.603	479x588x2,5
JVE.702 x2	596x494x15		
2/4	312	JVE.101 x4	258x384x15
		JVE.201 x2	1200x404x15
		JVE.202 x2	1200x385x15
		JVE.301 x2	576x357x15
		JVE.501 x2	258x361x15
3/4	533	JVE.103 x2	268x288x15
		JVE.204 x2	1500x289x15
	535	JVE.104 x2	1068x288x15
		JVE.206 x2	300x289x15
537	JVE.207 x2	1100x289x15	
4/4	533	JVE.503	268x265x15
		JVE.604	277x738x2,5
		JVE.605	277x738x2,5
		JVE.703	1496x294x15
	535	JVE.503	268x265x15
		JVE.606	1077x277x2,5
		JVE.704	1094x296x15
	537	JVE.105 x2	268x288x15
		JVE.503	268x265x15
		JVE.607	277x538x2,5
JVE.608	277x538x2,5		
JVE.704	1094x296x15		

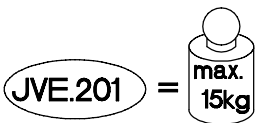
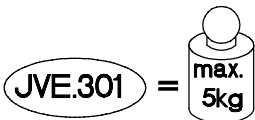
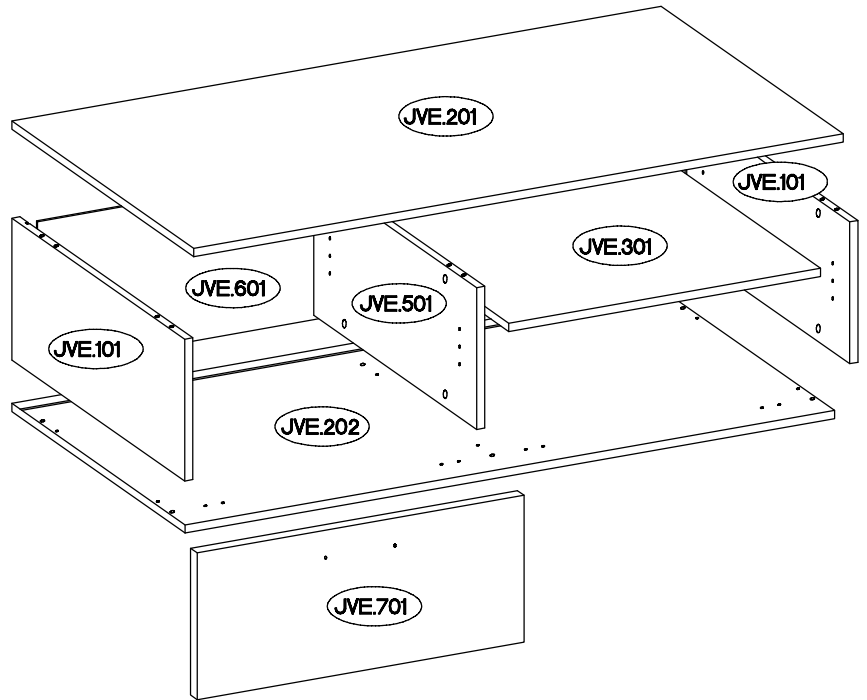
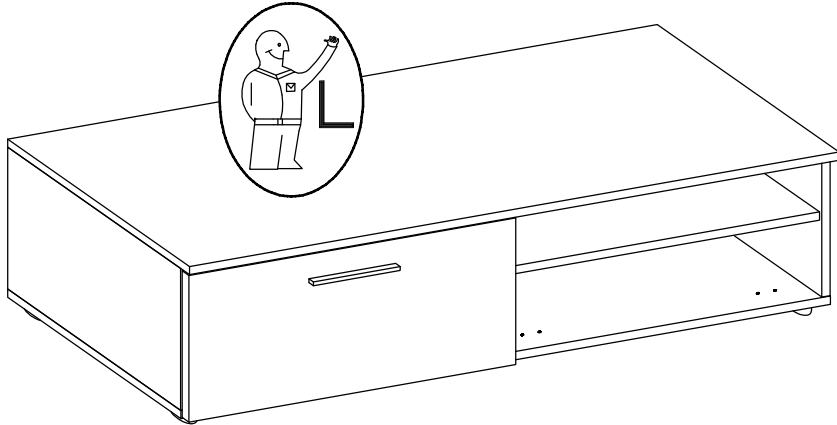
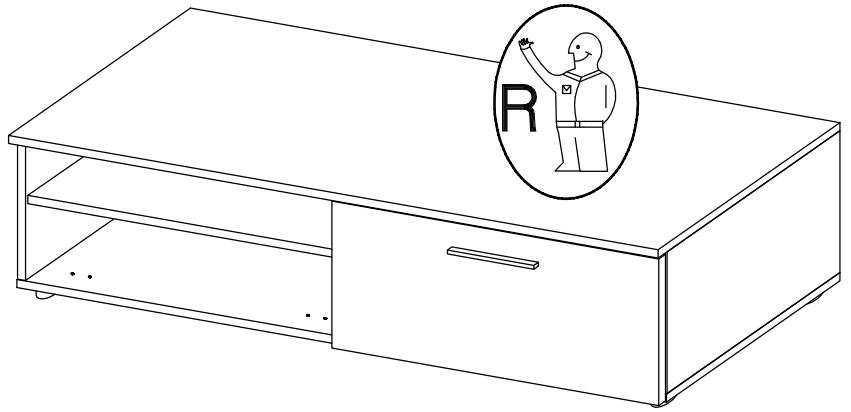


ISM-JVE-01

1

DUBLIN


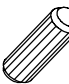
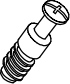


Typ 312

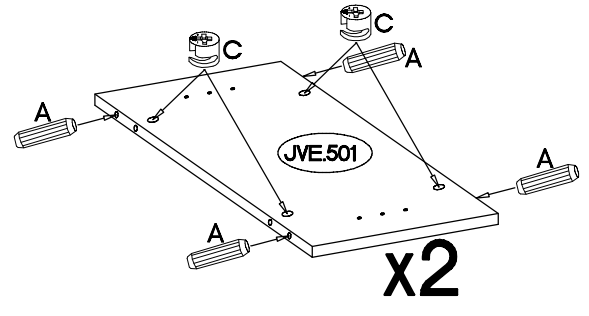
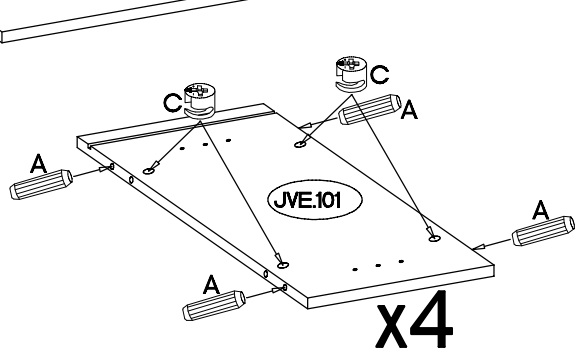
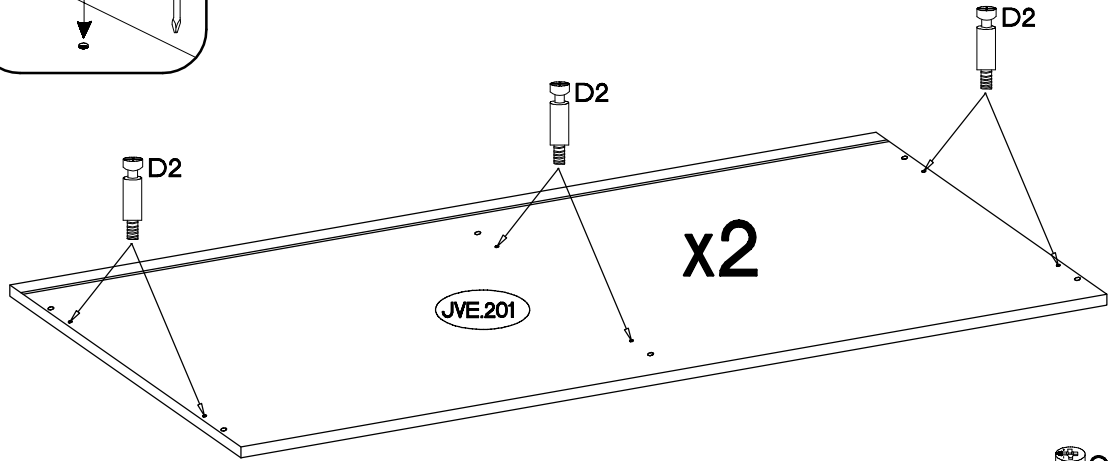
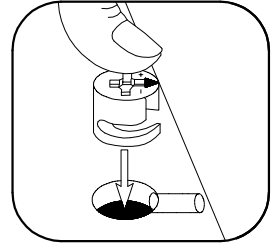
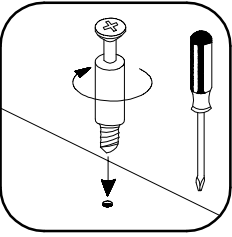
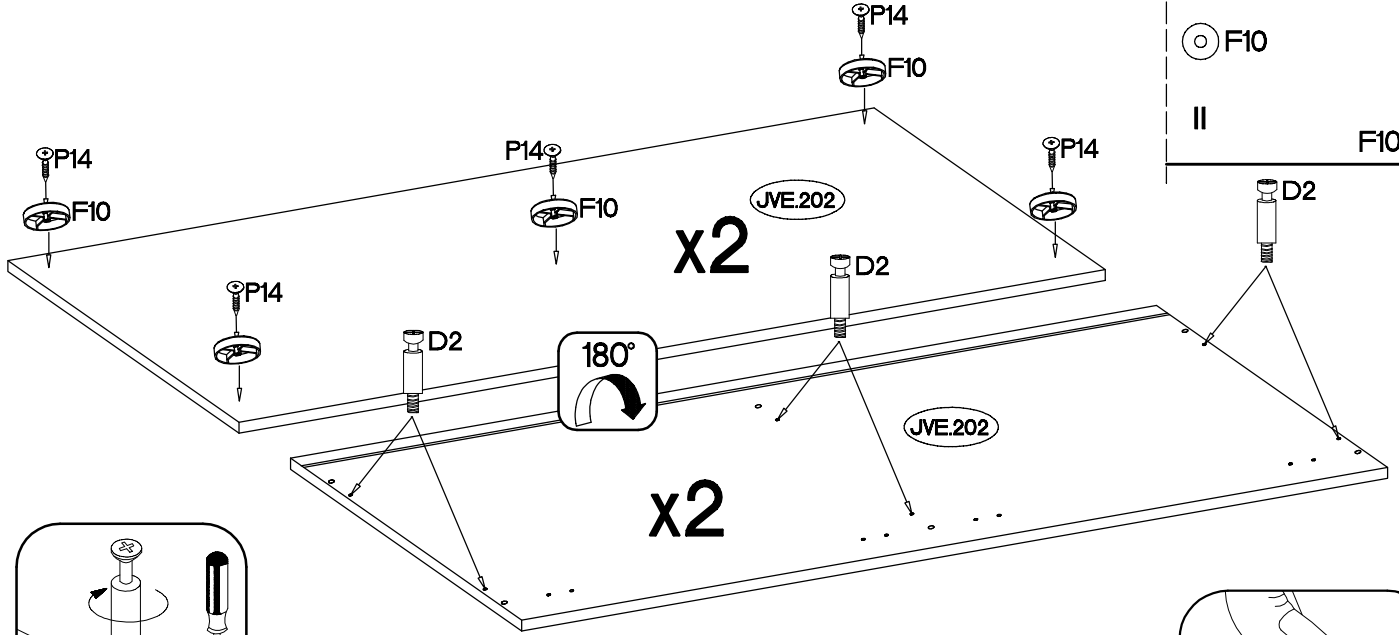
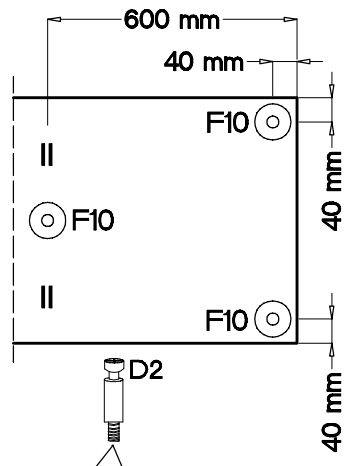


$\pm 35/0\text{mm}$ G 4	H=0 H 4	$\pm 3.5 \times 13\text{mm}$ P5 8	L=128mm S11 2	$\pm 4.0 \times 30\text{mm}$ R2 4	± 5 E2 8	± 5 J1 8			
$\pm 15/12\text{mm}$ C 24	$\pm 8 \times 30\text{mm}$ A 24	L=20mm D2 24	$\pm 4.0 \times 25\text{mm}$ P14 10	 F10 10	$\pm 3.5 \times 13\text{mm}$ P5 6	 K13 2	 L 6	 E 24	$\pm 3.0 \times 16\text{mm}$ P11 12

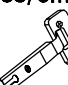






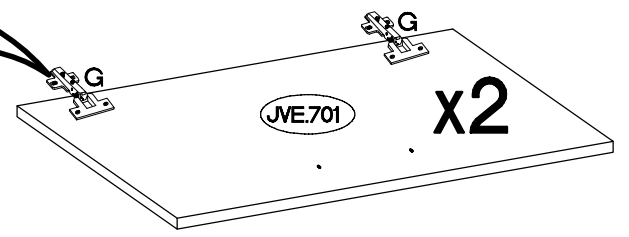
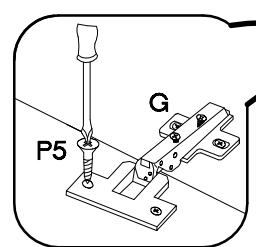
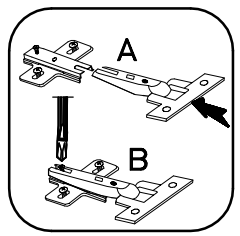
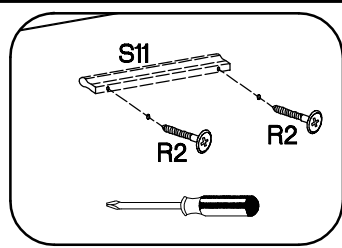
2

±15/12mm 	±8x30mm 	L=20mm 	±4.0x25mm 	
C 24	A 24	D2 24	P14 10	F10 10





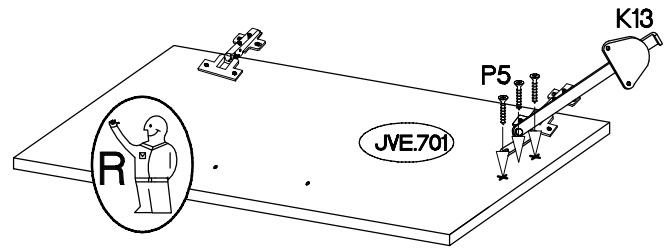
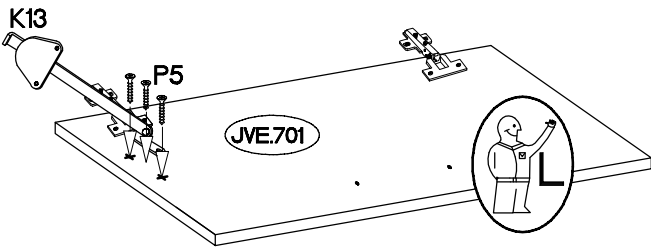
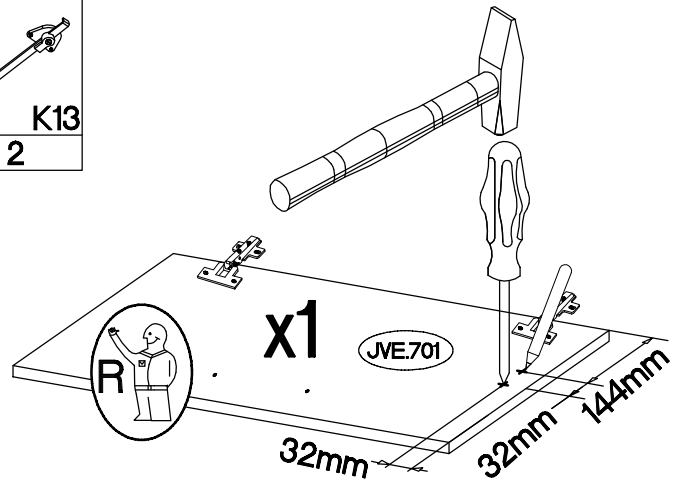
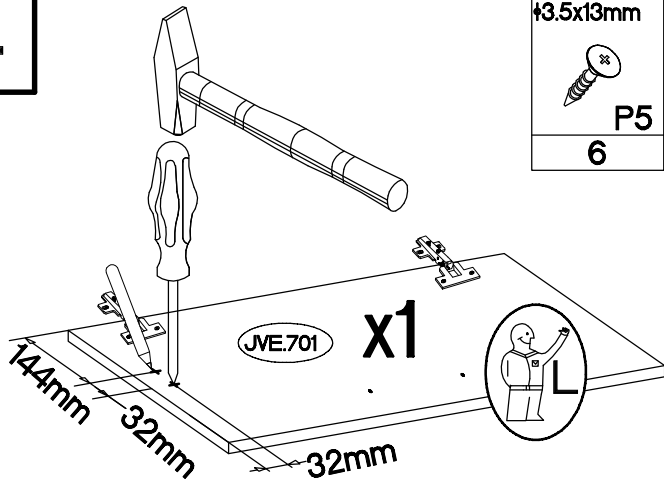
3

±35/0mm 	H=0 	±3.5x13mm 	L=128mm 	±4.0x30mm 
G 4	H 4	P5 8	S11 2	R2 4

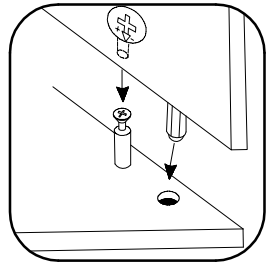
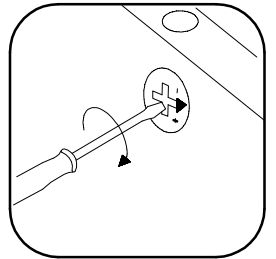
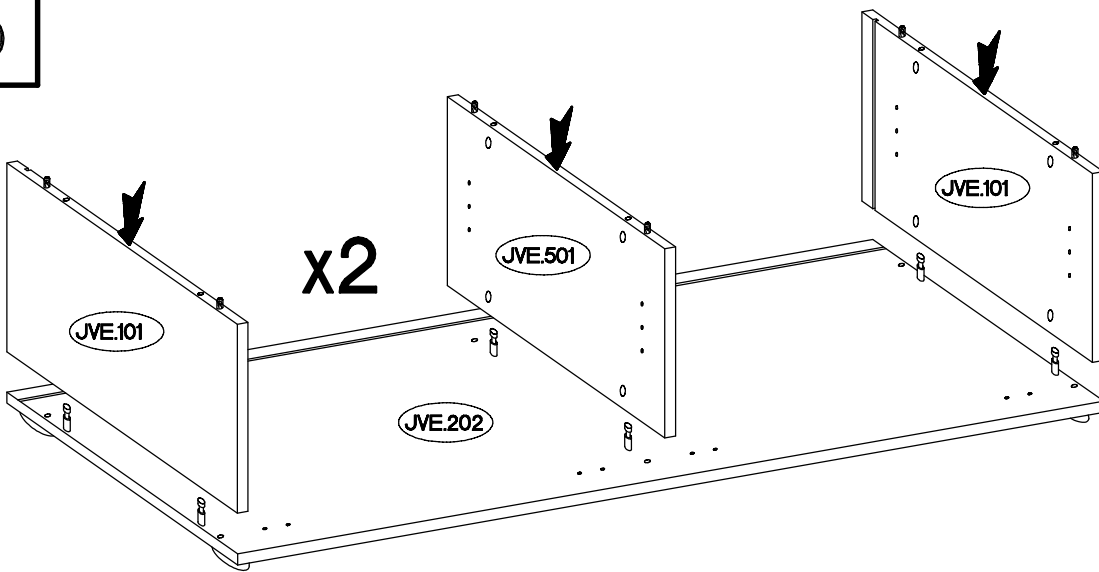


4

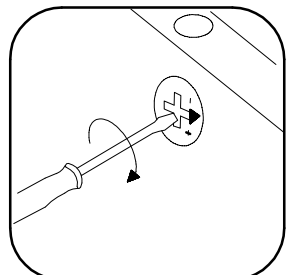
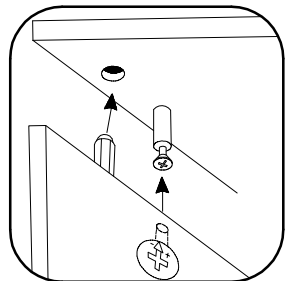
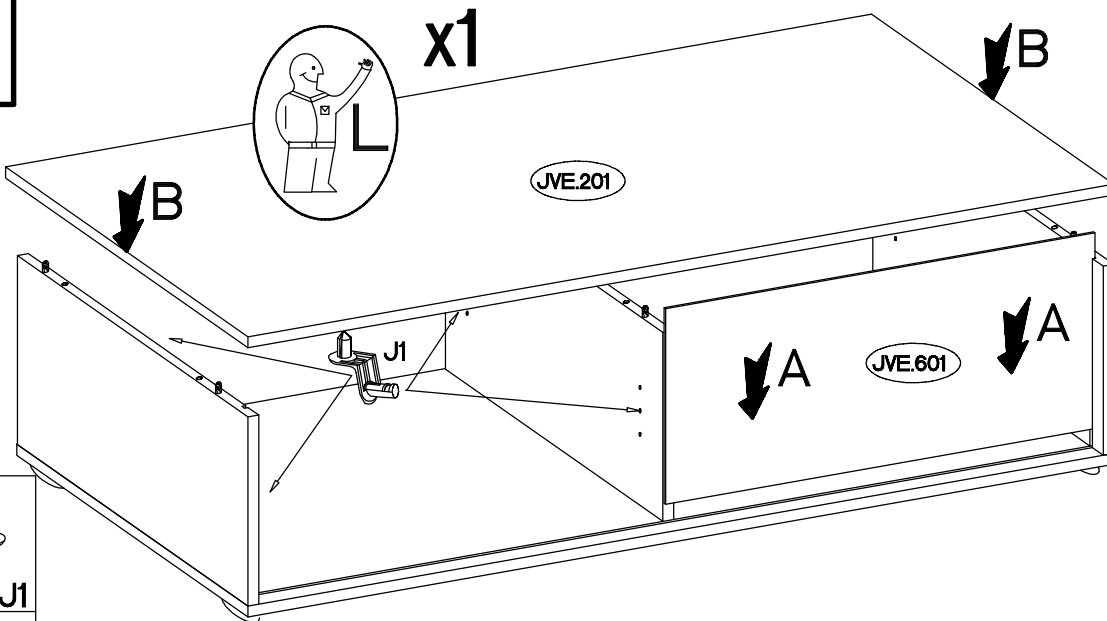
φ3.5x13mm	
	
P5	K13
6	2

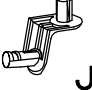


5

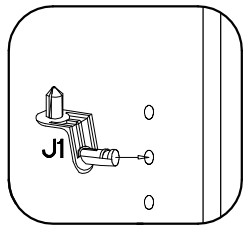
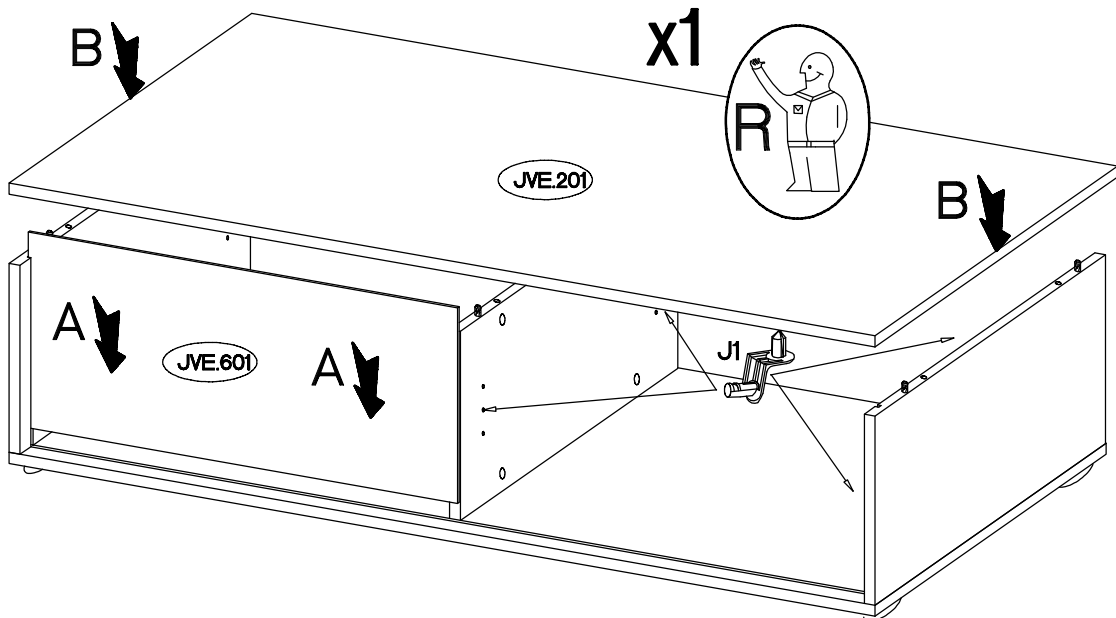
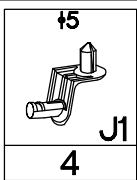


6

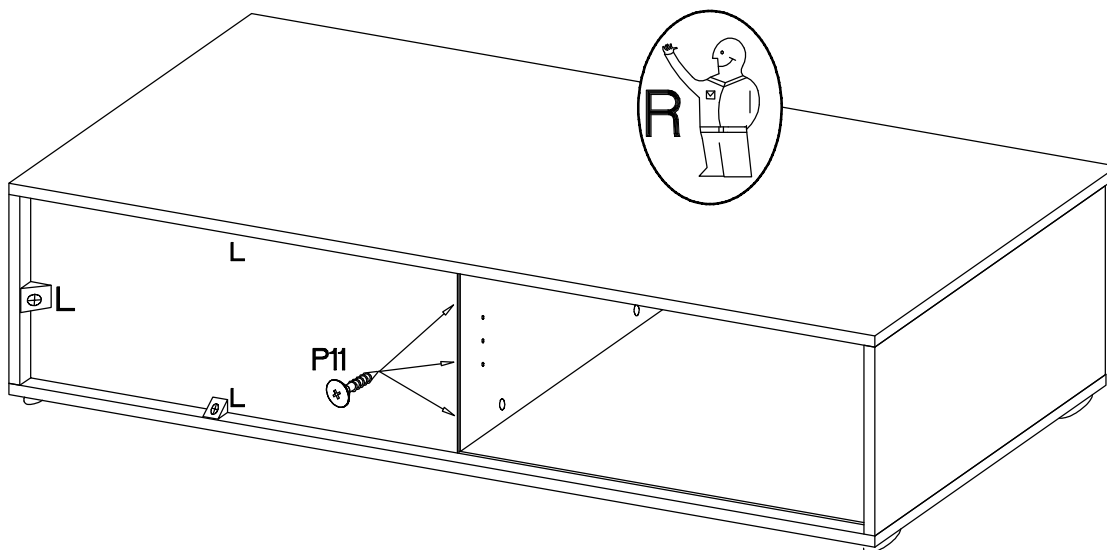
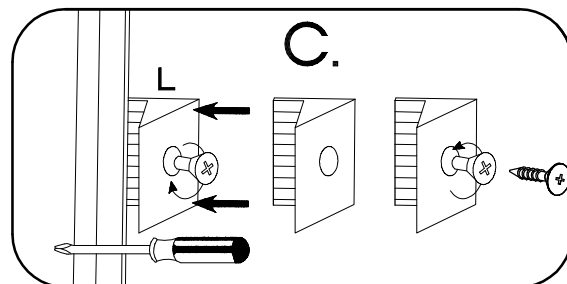
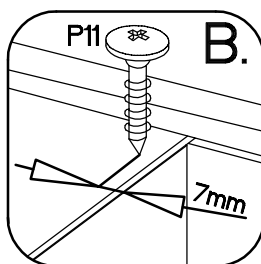
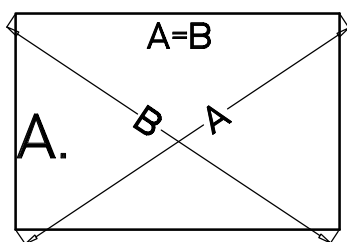
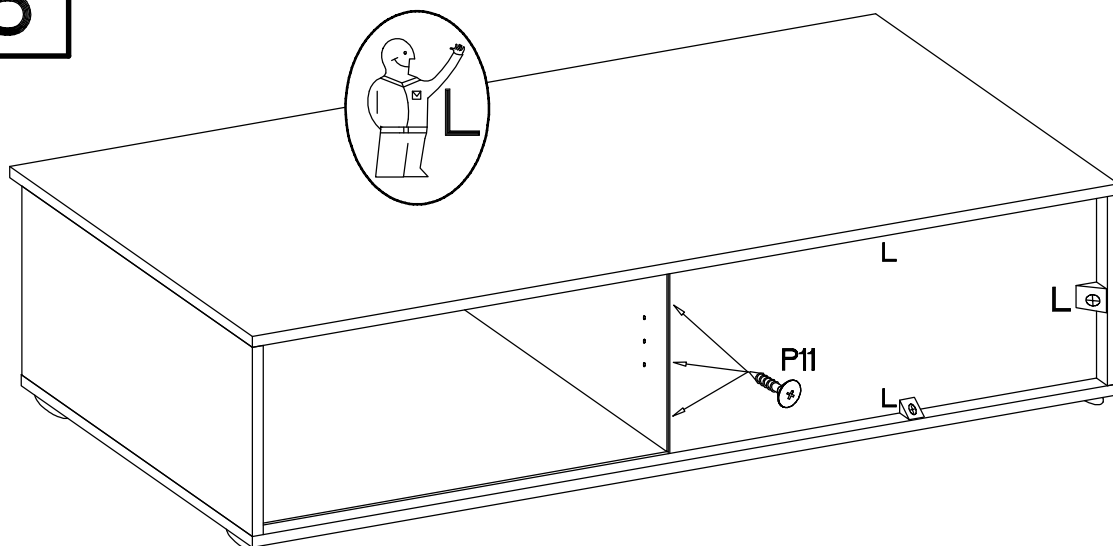
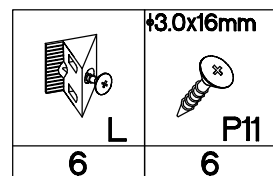


φ5

J1
4

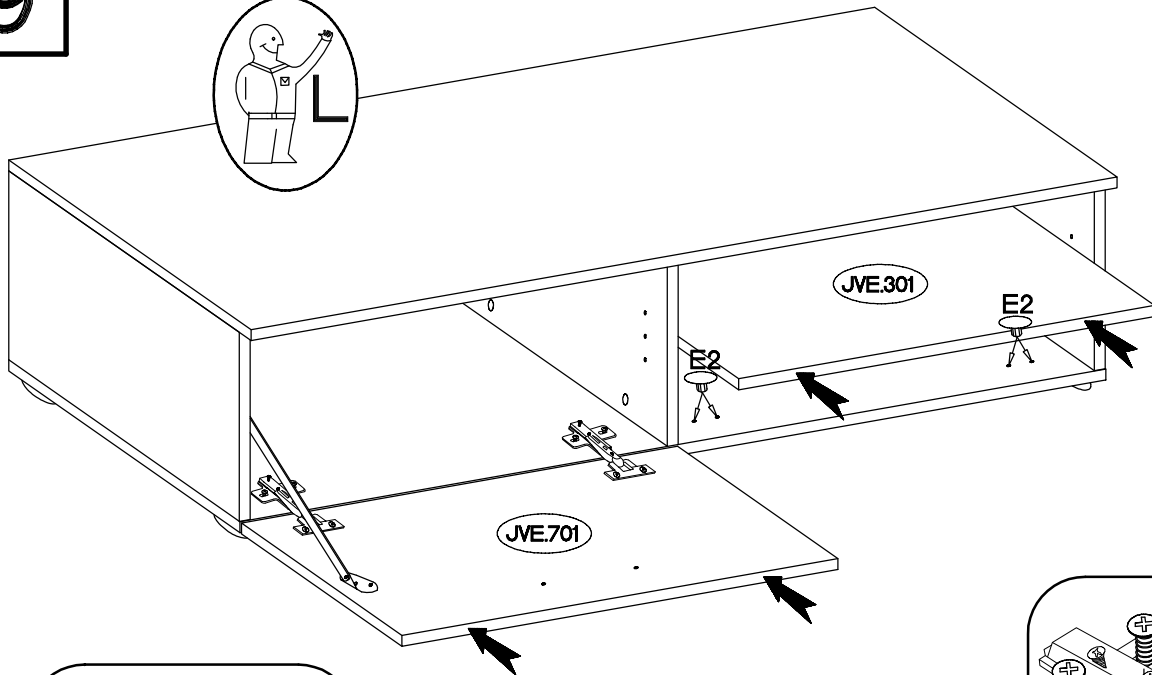
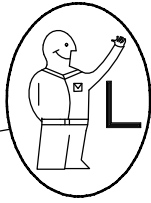
7





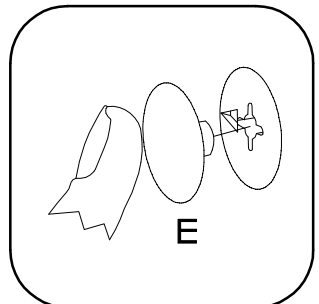
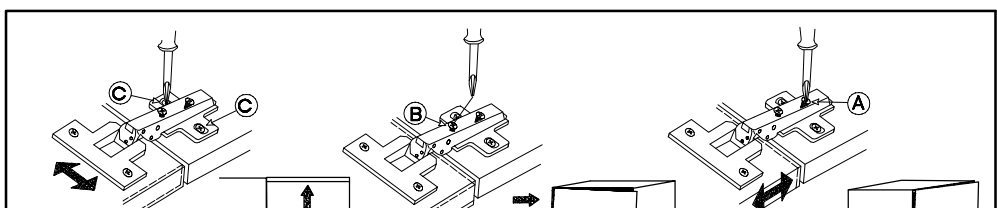
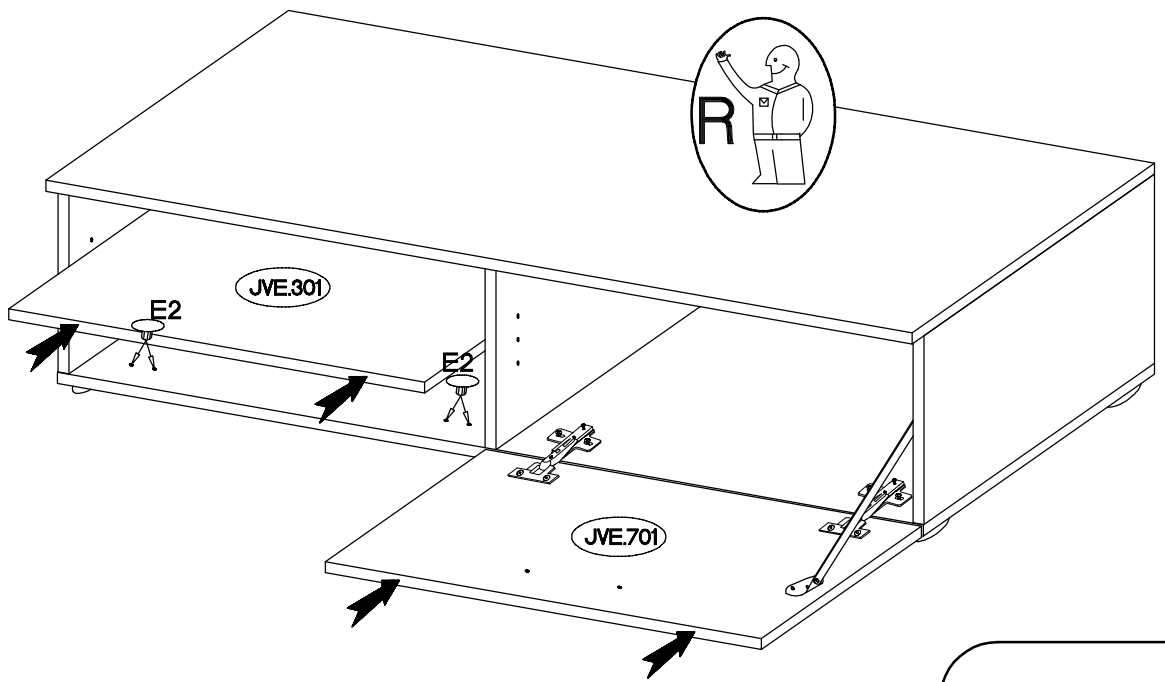
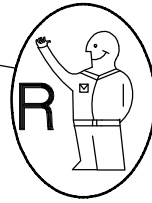
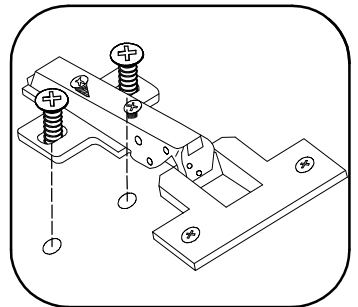
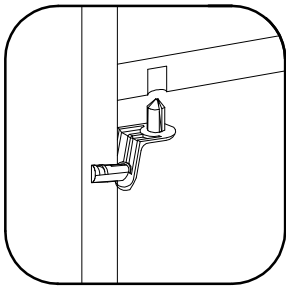
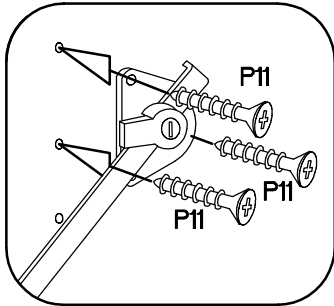
8



9



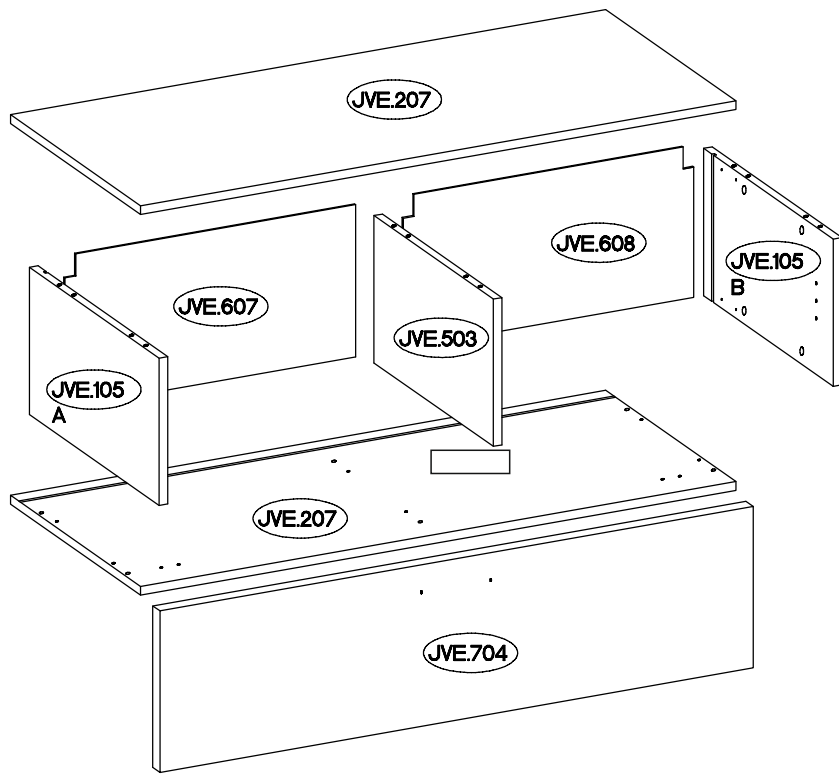
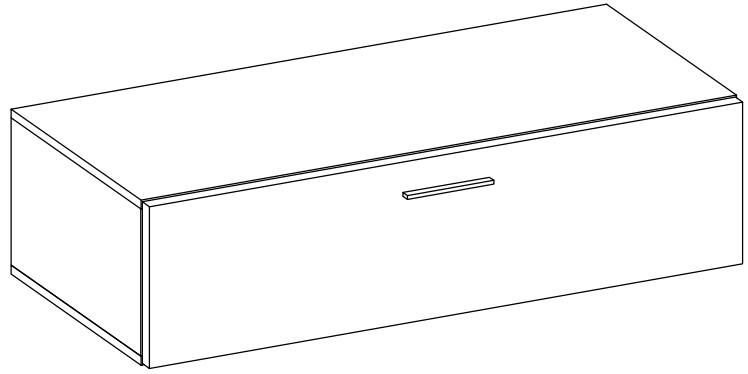
	43.0x16mm
E2	P
8	6
	
	12




10






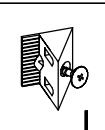
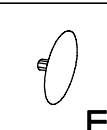
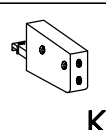







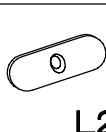


DUBLIN

Typ 537




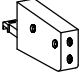



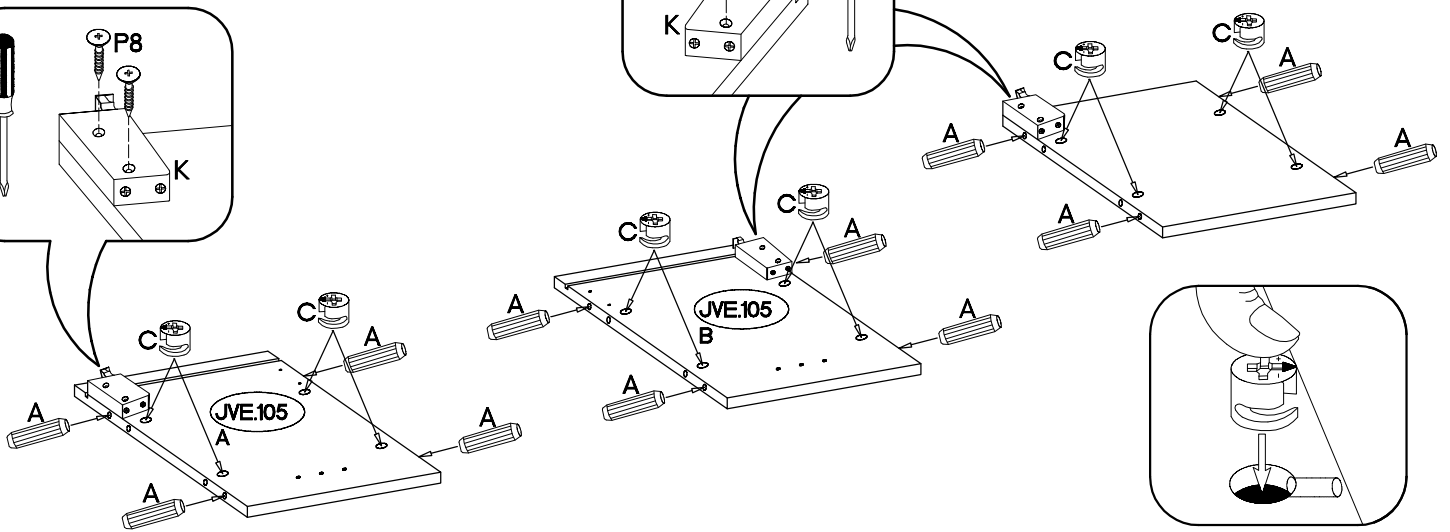
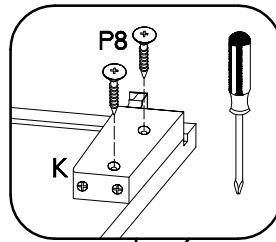
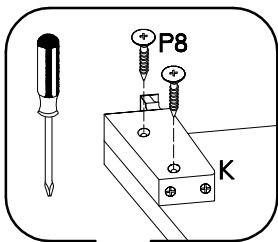
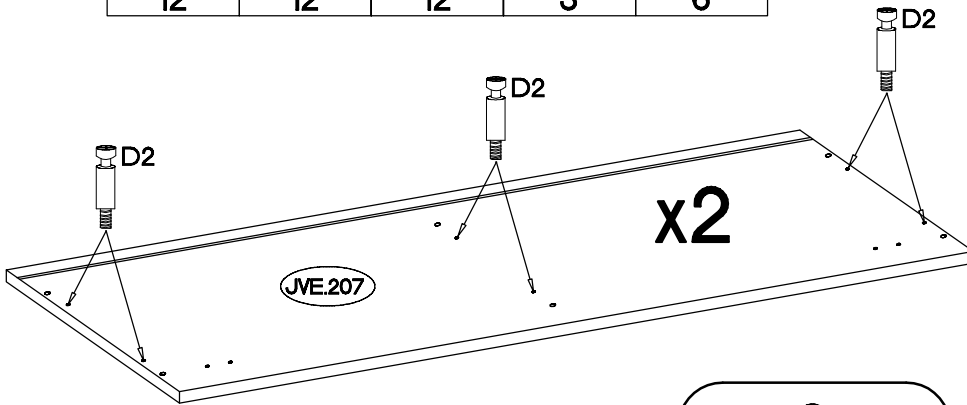
JVE.207 =  max. 5kg

 2B :

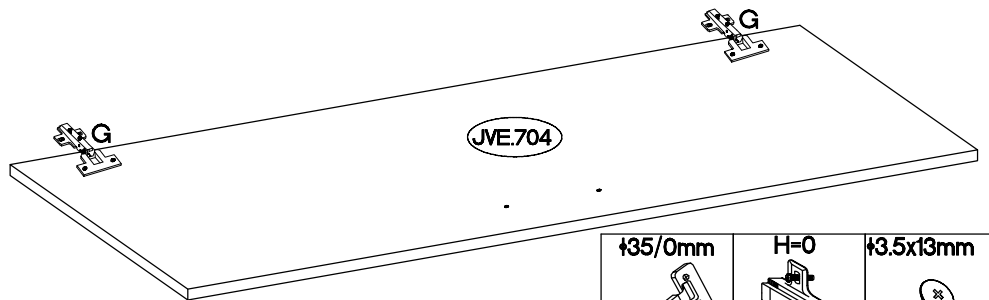
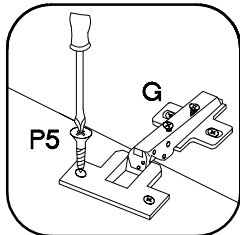
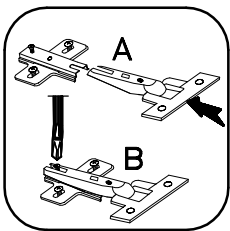
 ‡15/12mm C	 ‡8x30mm A	 L=20mm D2	 ‡3.5x13mm P5	 L=128mm K13	 ‡4.0x30mm L	 E	 K	 ‡4.0x30mm P8	 ‡3.0x16mm P11
12	12	12	6	2	6	12	3	6	9
 ‡35/0mm G	 H=0 H	 ‡3.5x13mm P5	 L=128mm S11	 ‡4.0x30mm R2	 L2	 6,5/68mm O4	 ‡10x50mm O7		
2	2	4	1	2	3	3	3		

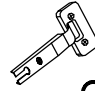


11

±15/12mm  C	±8x30mm  A	L=20mm  D2	 K	±4.0x30mm  P8
12	12	12	3	6

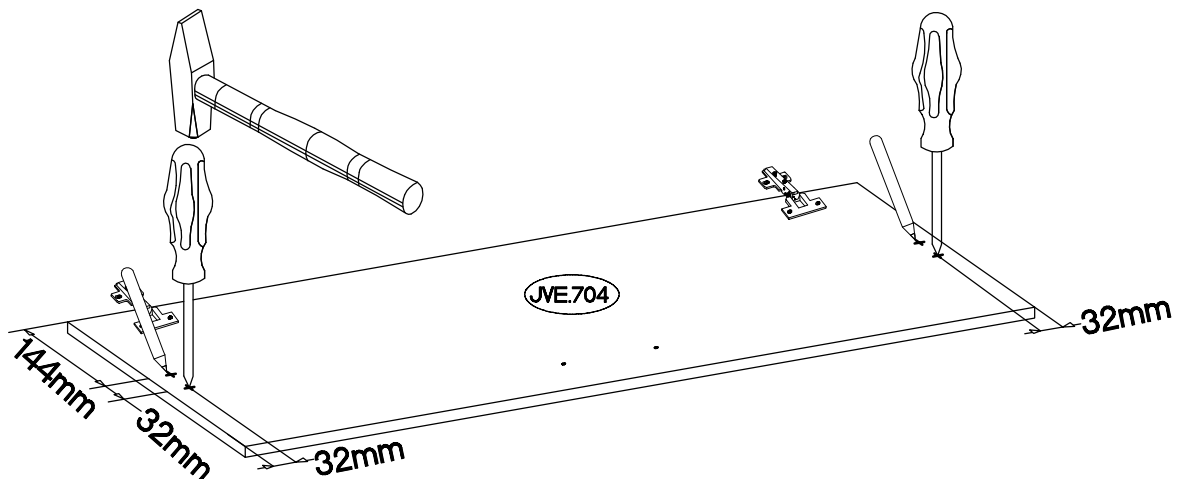


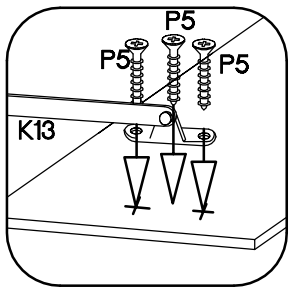
12



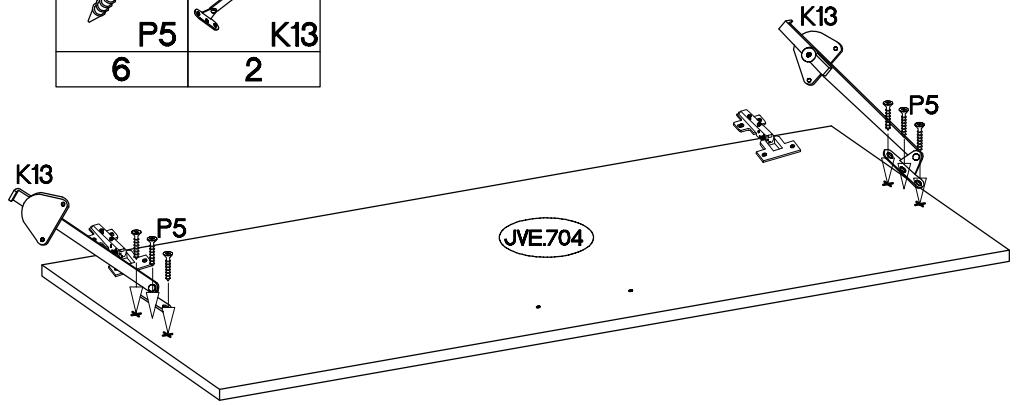
±35/0mm  G	H=0  H	±3.5x13mm  P5
2	2	4

13

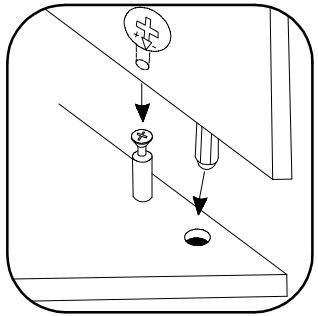
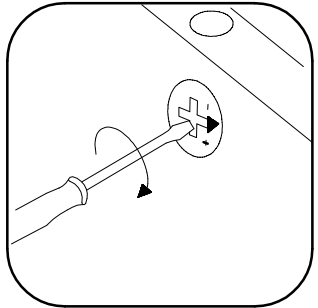
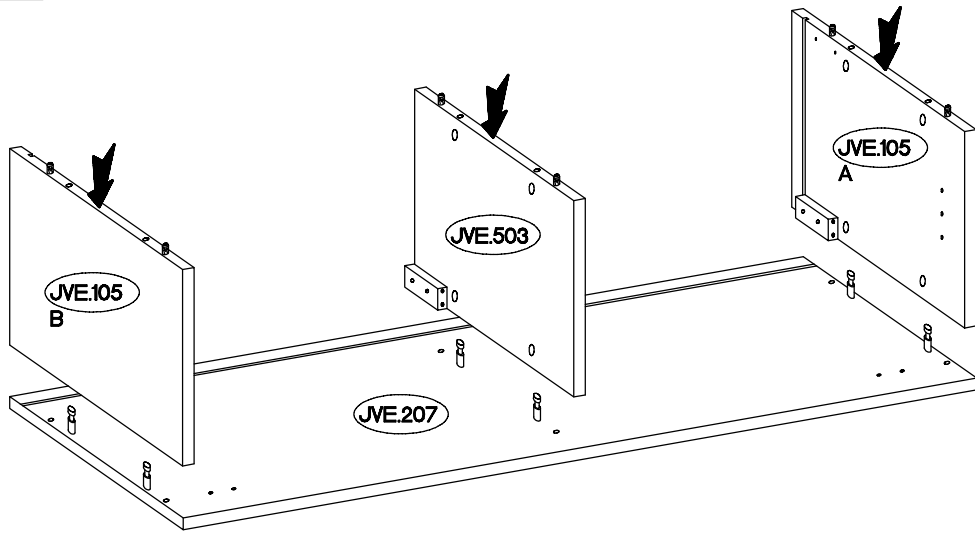




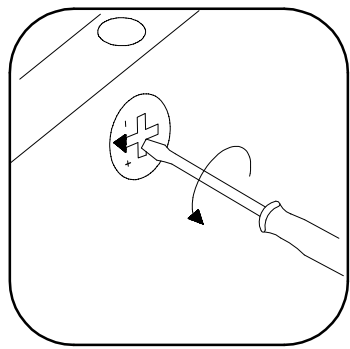
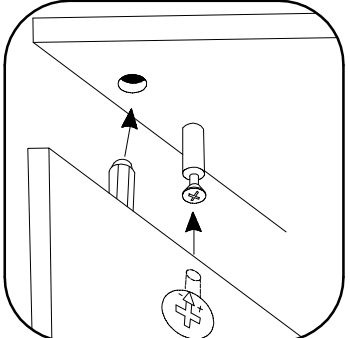
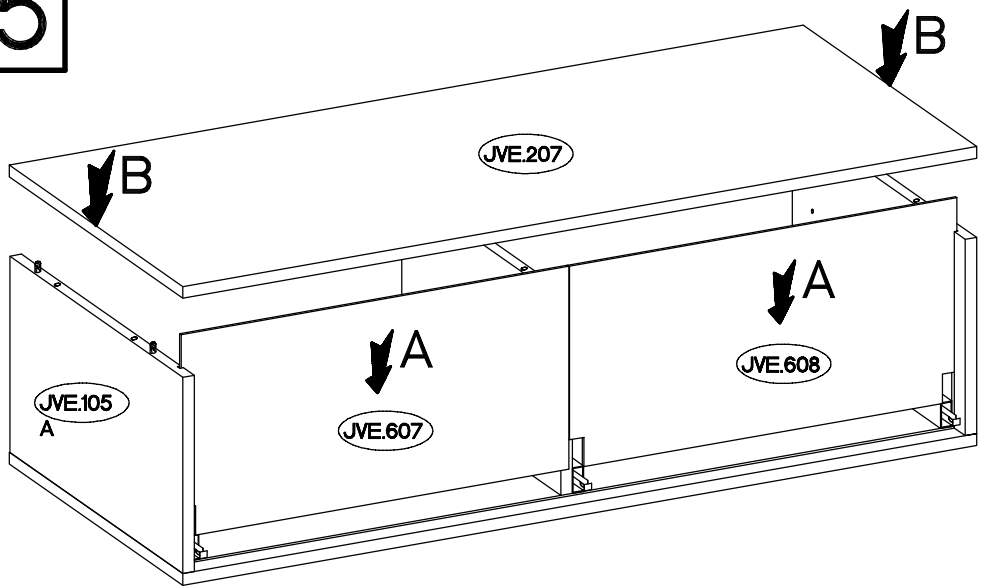
Ø3.5x13mm	
P5	K13
6	2



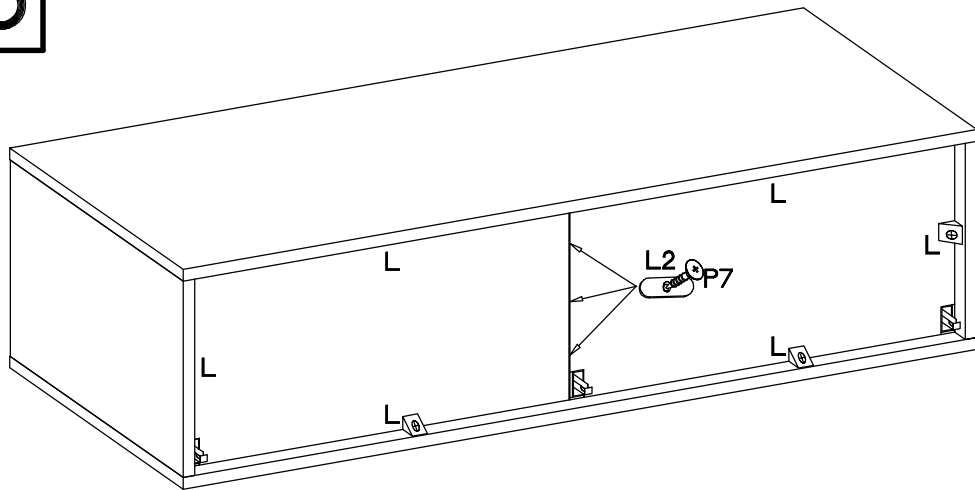
14



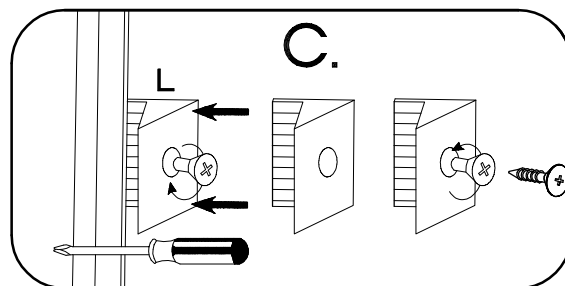
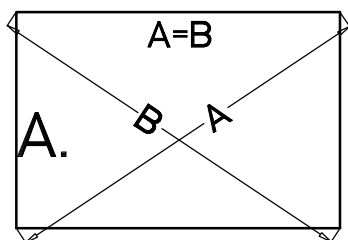
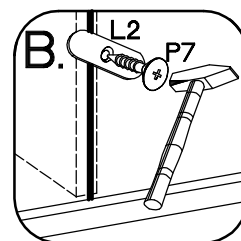
15



16

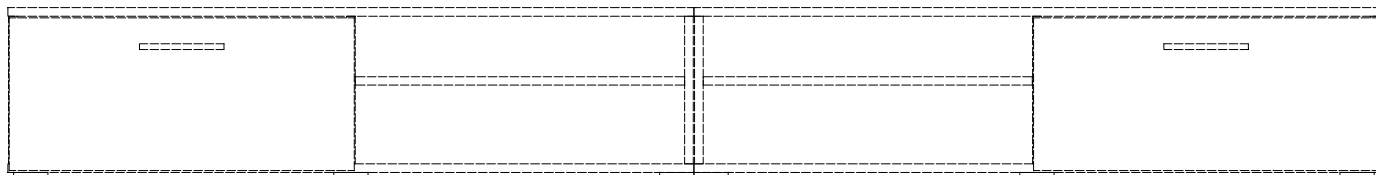
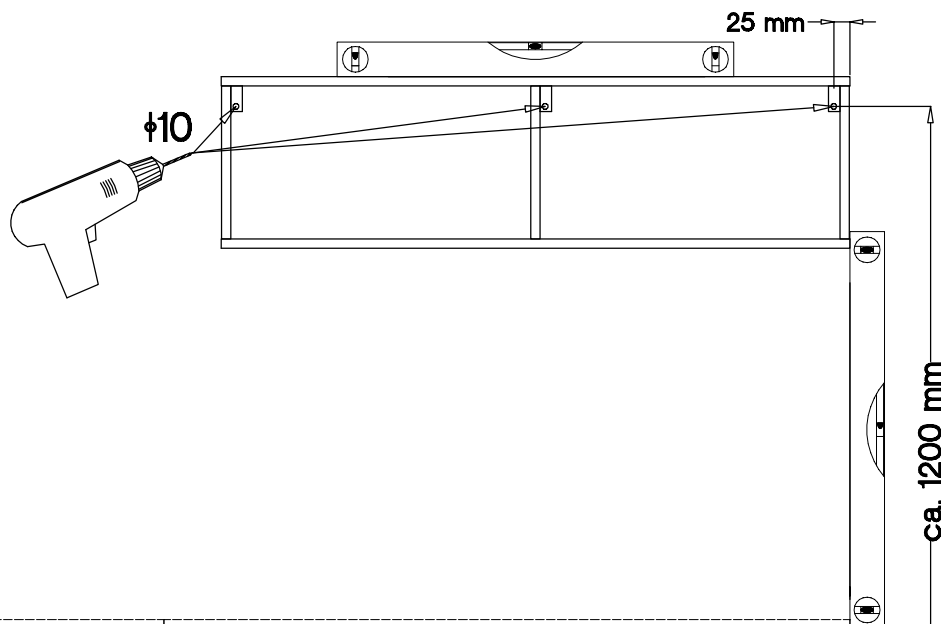
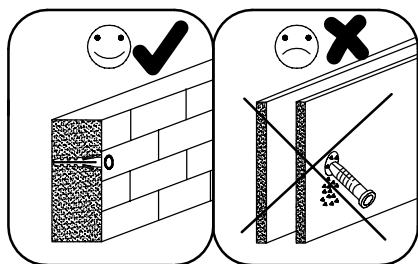


 P11 3	 L2 3	 L 6
--------------	-------------	------------

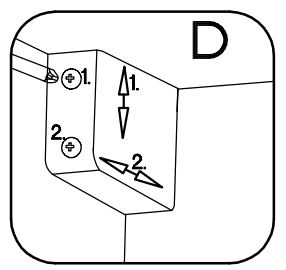
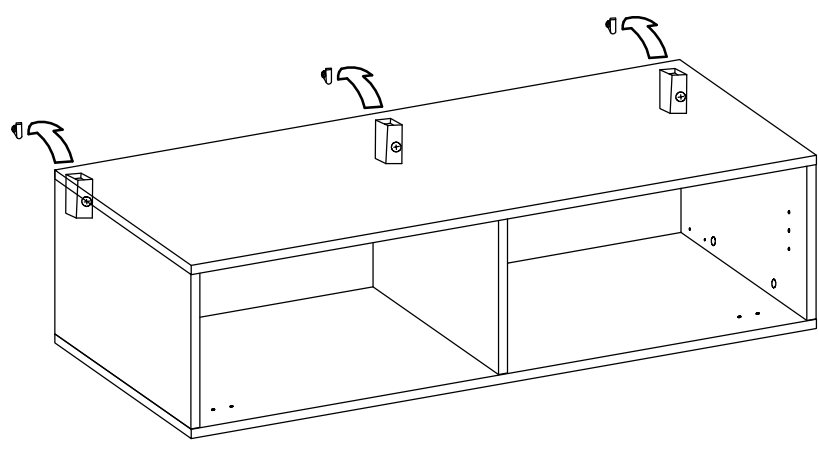
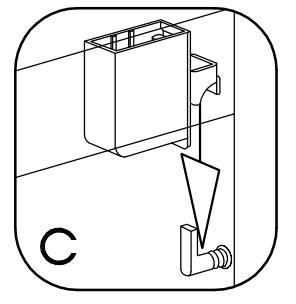
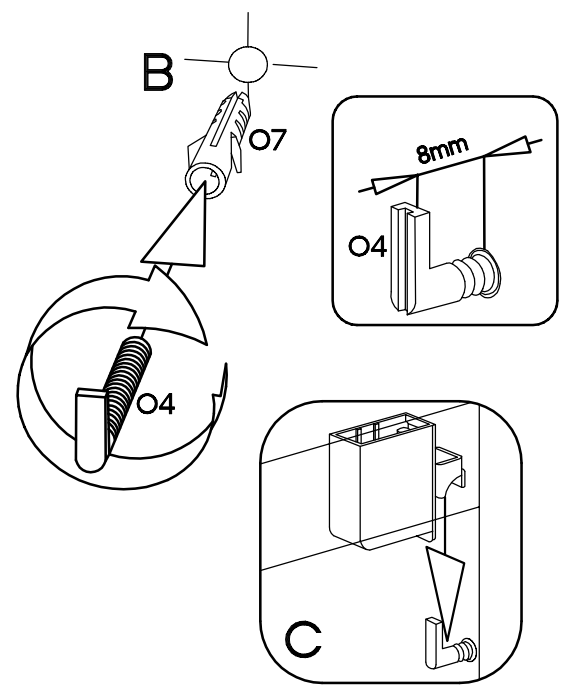
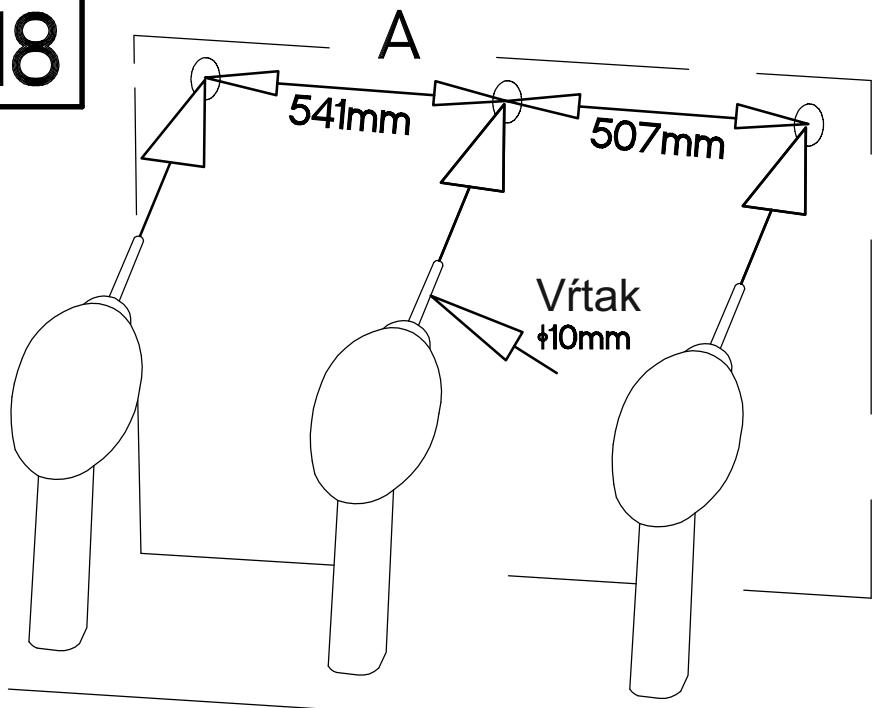


17

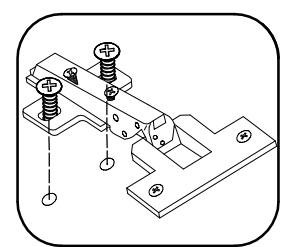
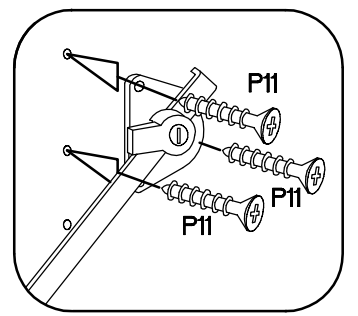
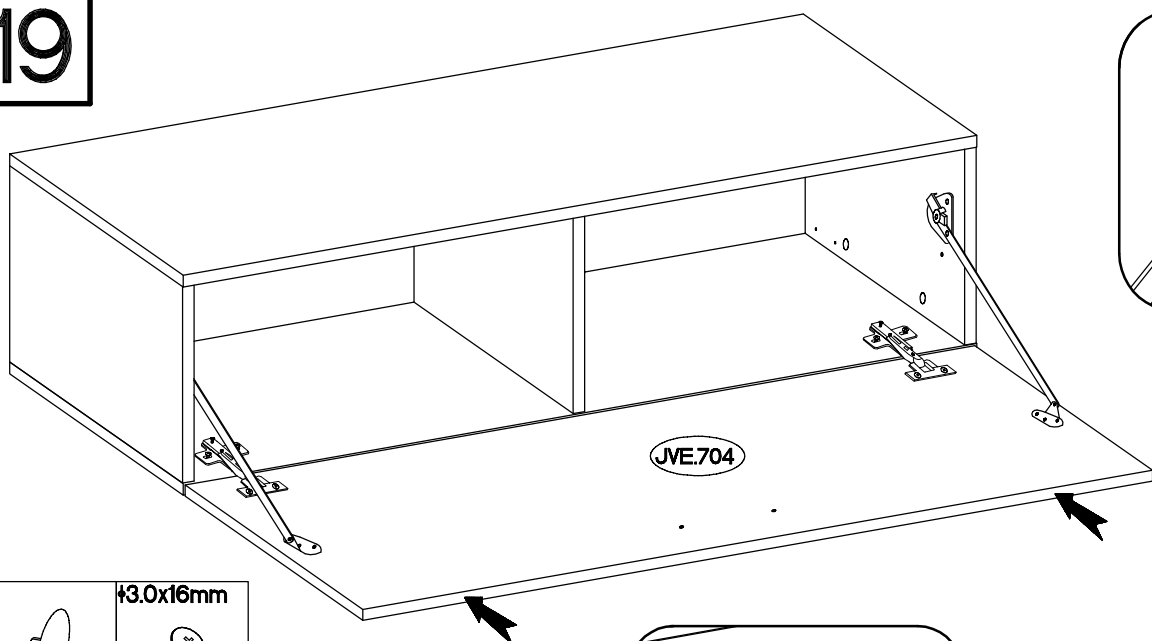
 O4 3	 O7 3
-------------	-------------



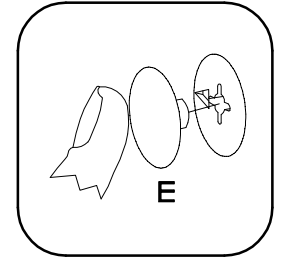
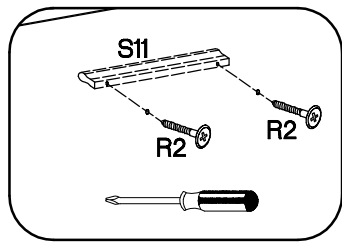
18



19

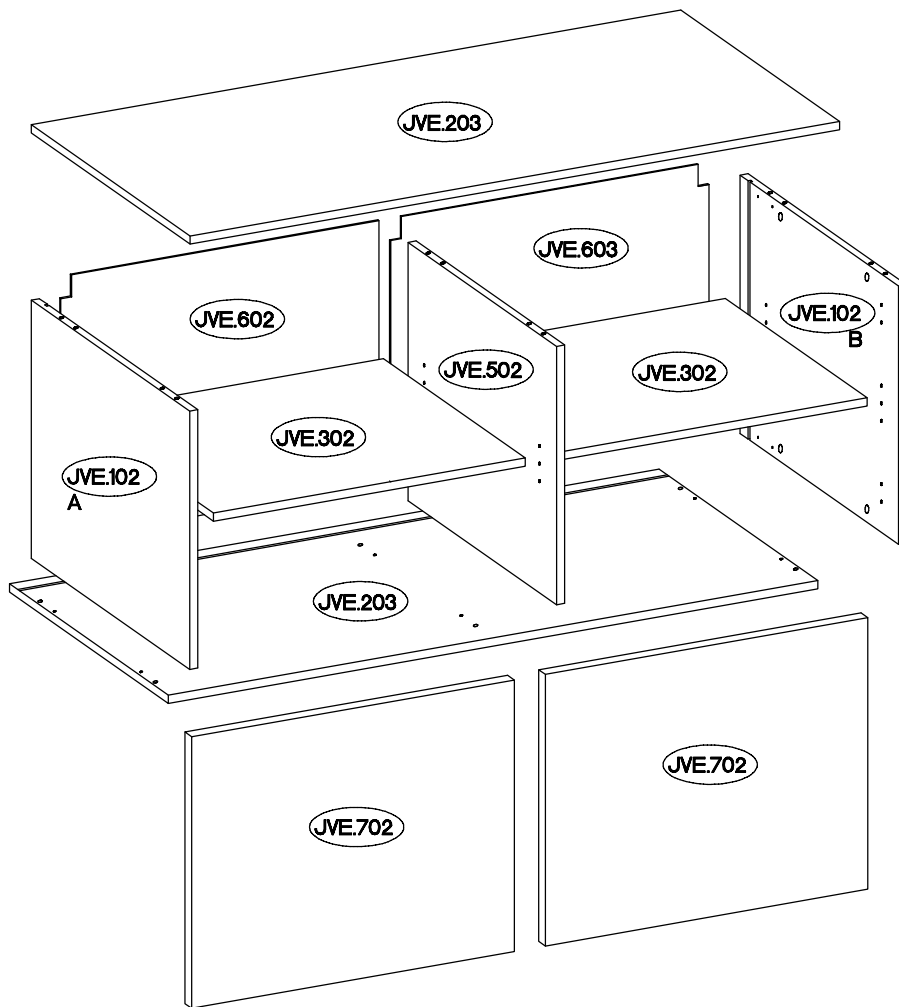
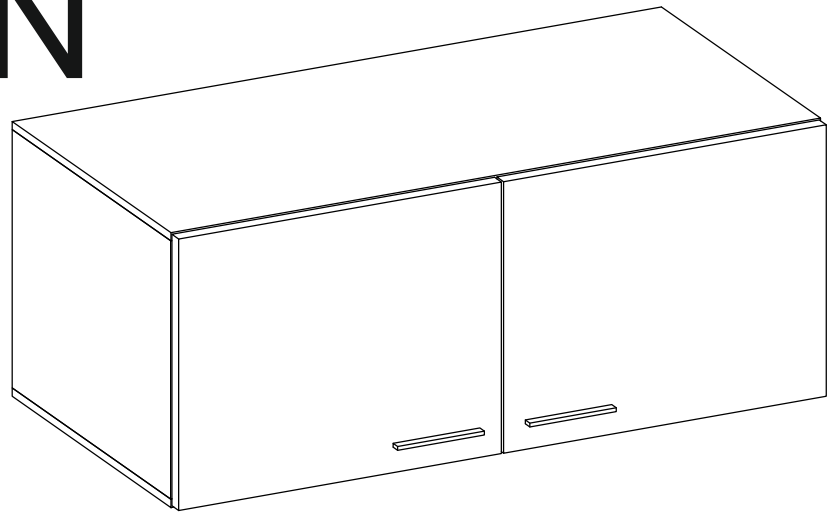



	$\varnothing 3.0 \times 16\text{mm}$
E	P11
12	6
L=128mm	$\varnothing 4.0 \times 30\text{mm}$
S11	R2
1	2







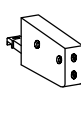

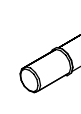
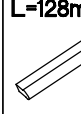
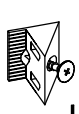


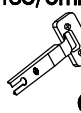
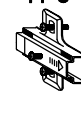


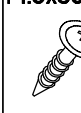
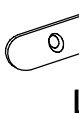
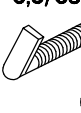
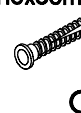
DUBLIN

Typ 531




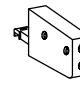



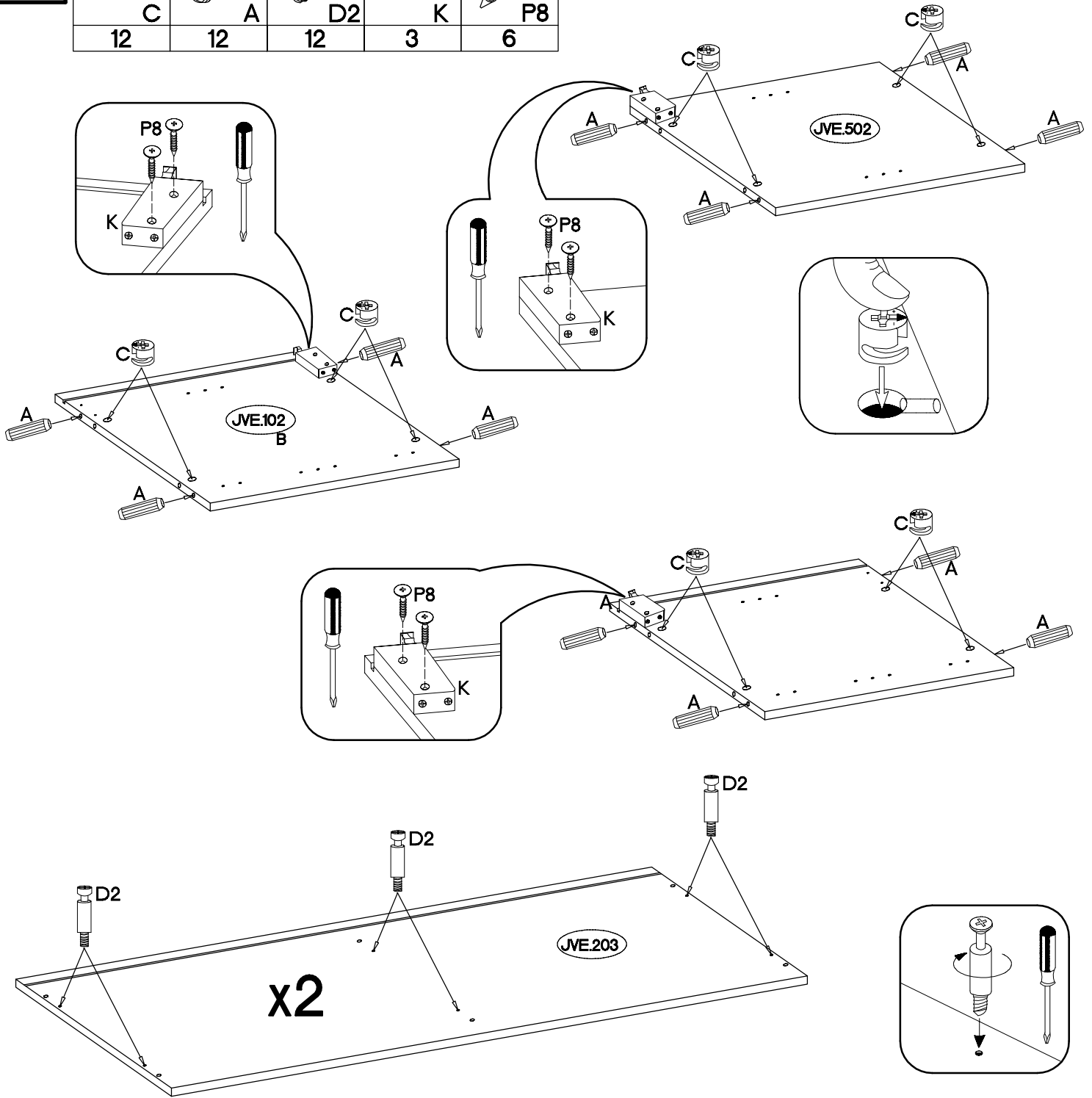
JVE.302 =  max. 5kg

 3B :

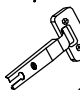


									
12	12	12	3	6	8	2	6	12	4
									
4	4	8	4	4	4	3	3		
$\pm 35/0\text{mm}$	$H=0$	$\pm 3.5 \times 13\text{mm}$	$\pm 3.0 \times 20\text{mm}$	$\pm 4.0 \times 30\text{mm}$	$6,5/68\text{mm}$	$\pm 10 \times 50\text{mm}$			
$\pm 15/12\text{mm}$	$\pm 8 \times 30\text{mm}$	$L=20\text{mm}$	$\pm 4.0 \times 30\text{mm}$	$L=128\text{mm}$					

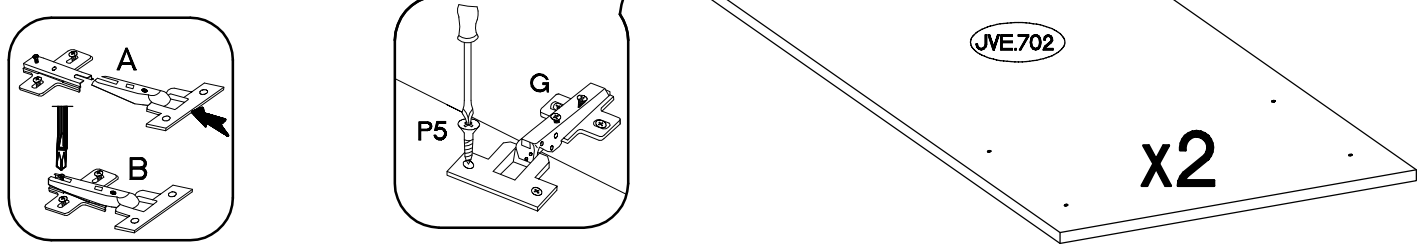
21

$\pm 5/12\text{mm}$  C 12	$\pm 8 \times 30\text{mm}$  A 12	$L=20\text{mm}$  D2 12	 K 3	$\pm 4.0 \times 30\text{mm}$  P8 6
---	--	--	---	--

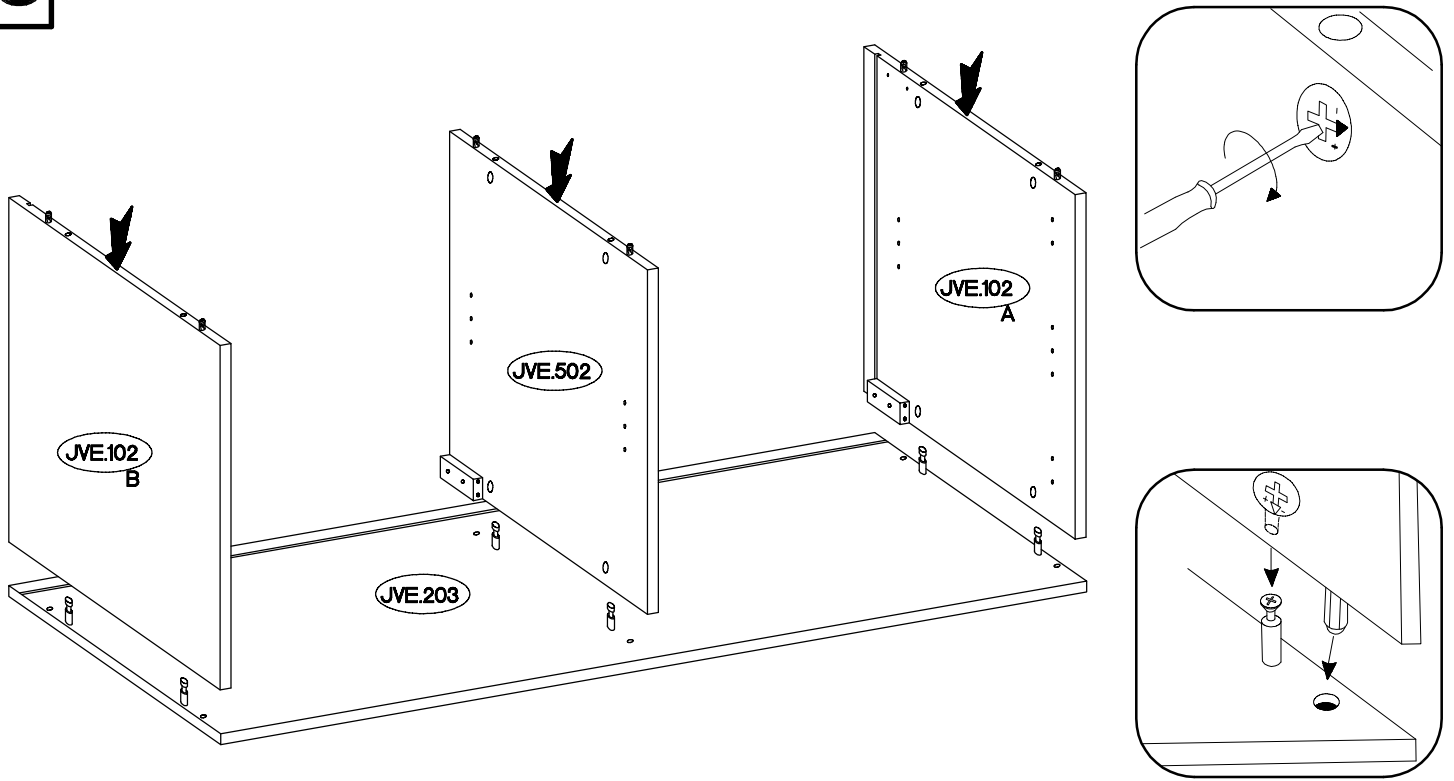


22

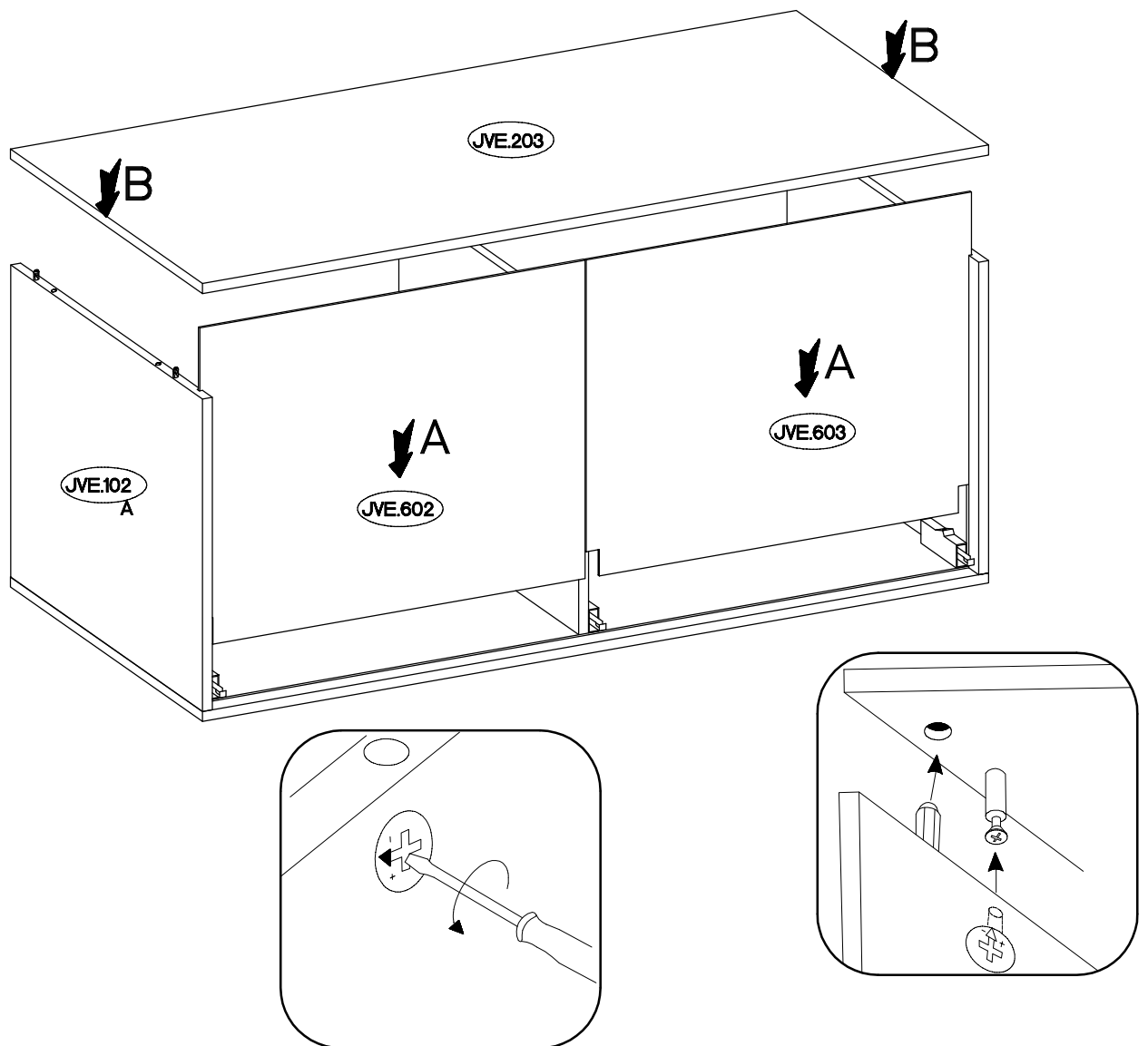
$\pm 35/0\text{mm}$  G 4	$H=0$  H 4	$\pm 3.5 \times 13\text{mm}$  P5 8
---	---	---





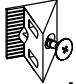
23

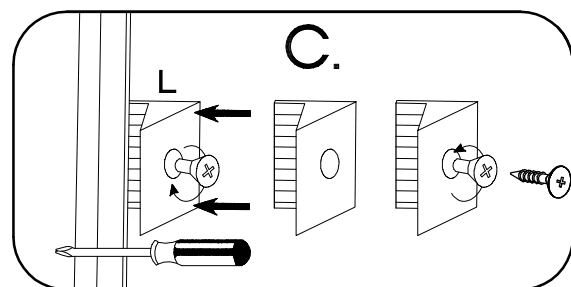
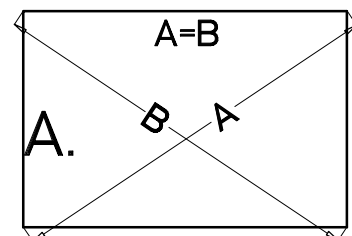
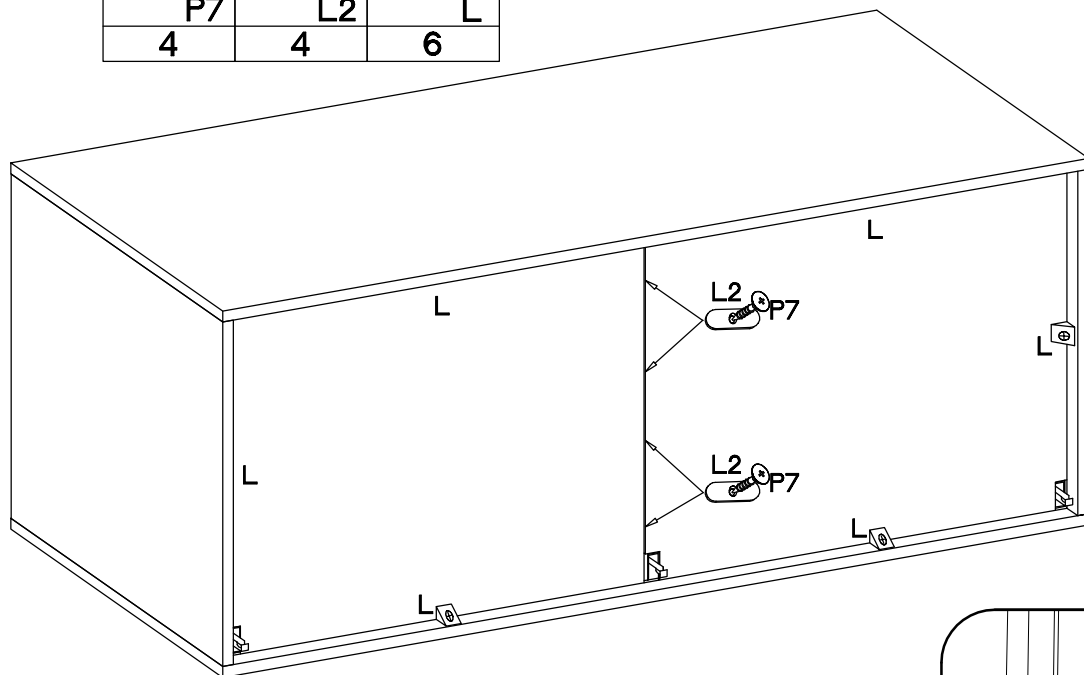
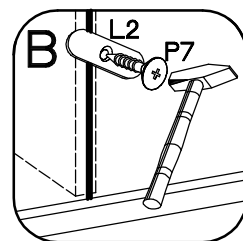


24

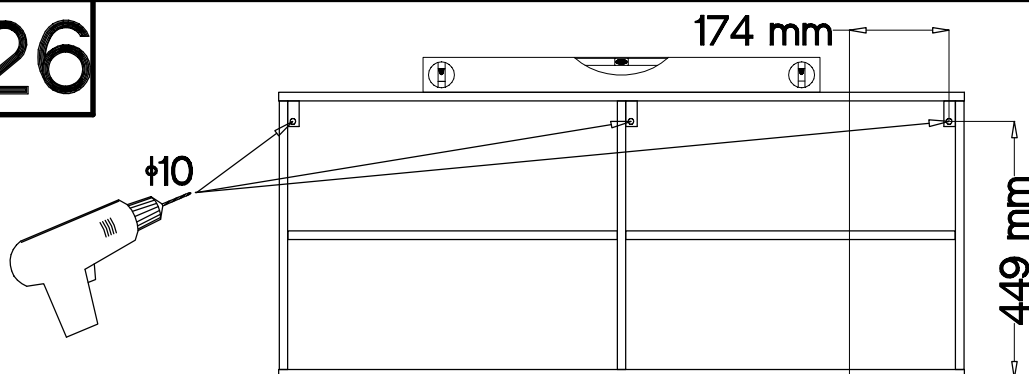




25

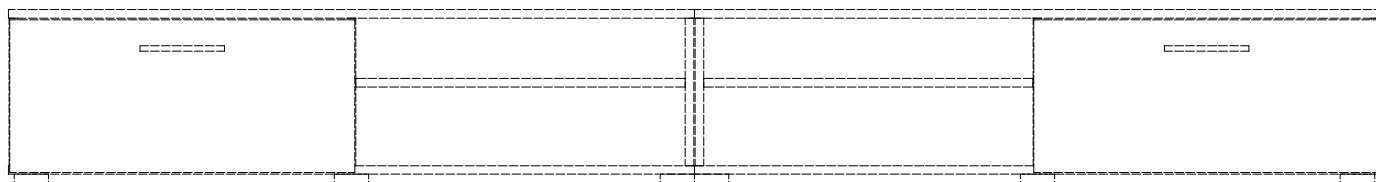
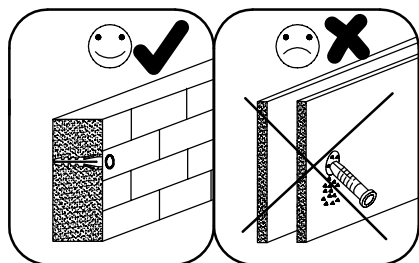
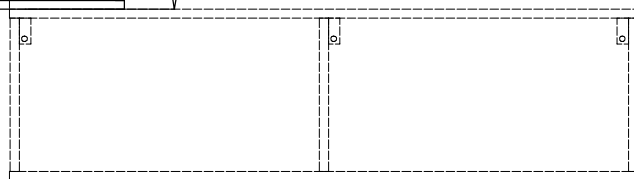
$\phi 3.0 \times 20 \text{mm}$  P7 4	 L2 4	 L 6
--	--	---

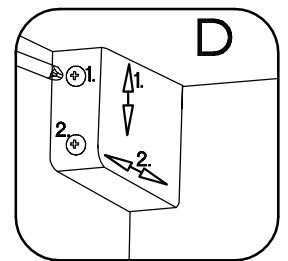
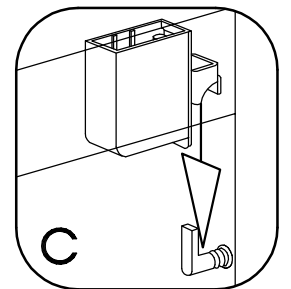
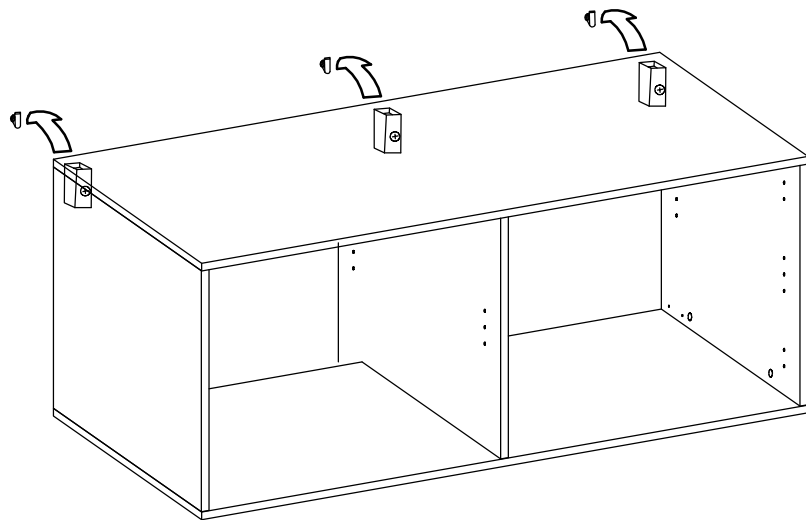
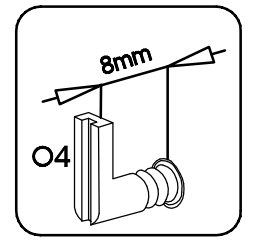
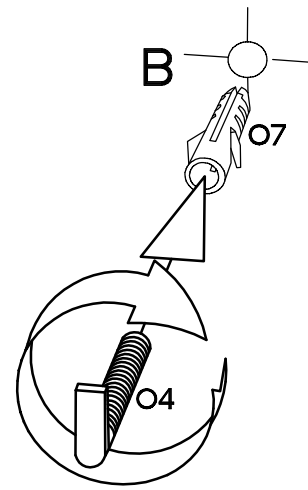
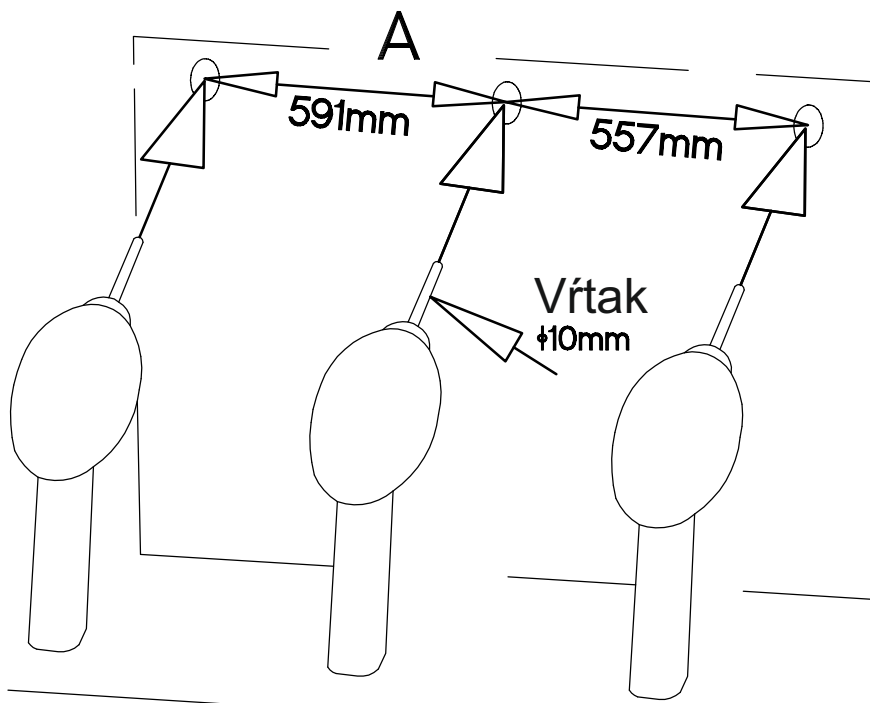


26

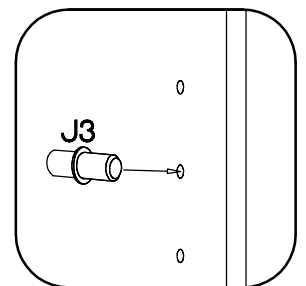
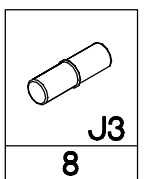
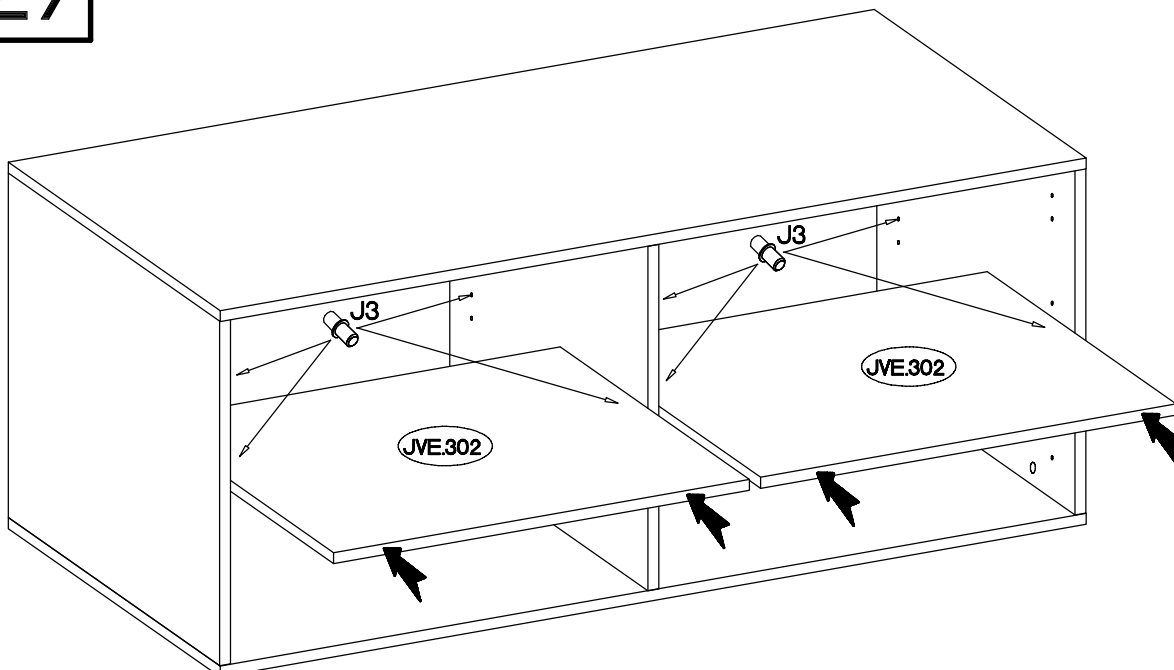


$6,5/68 \text{mm}$  O4 3	$\phi 10 \times 50 \text{mm}$  O7 3
---	--



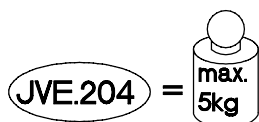
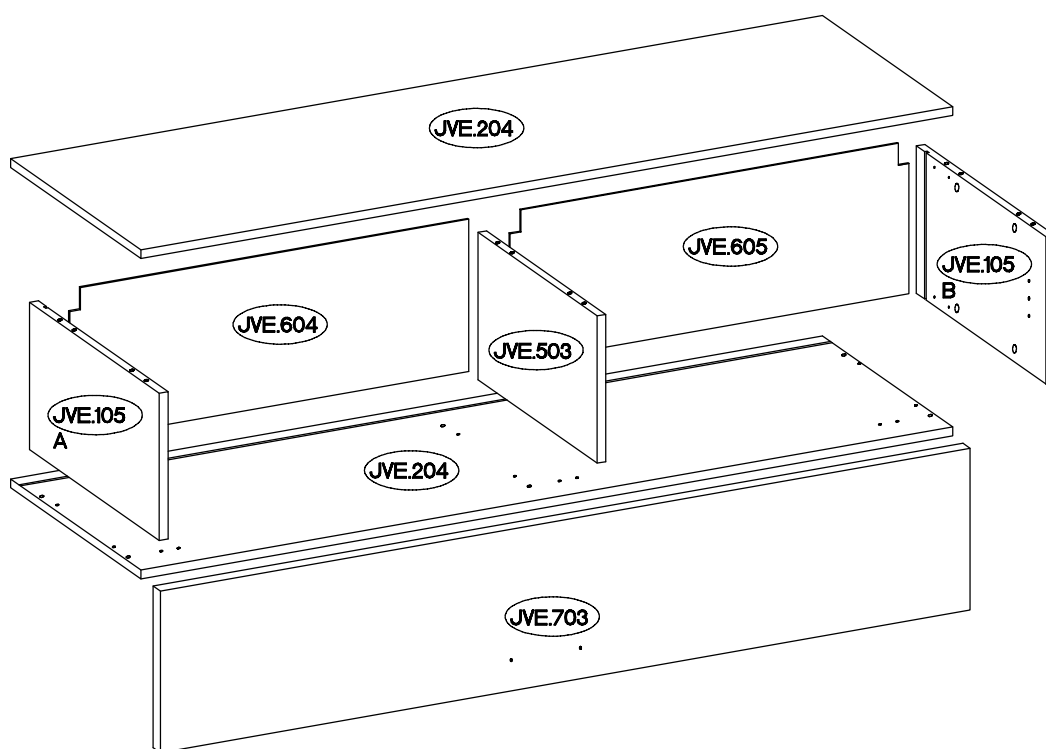
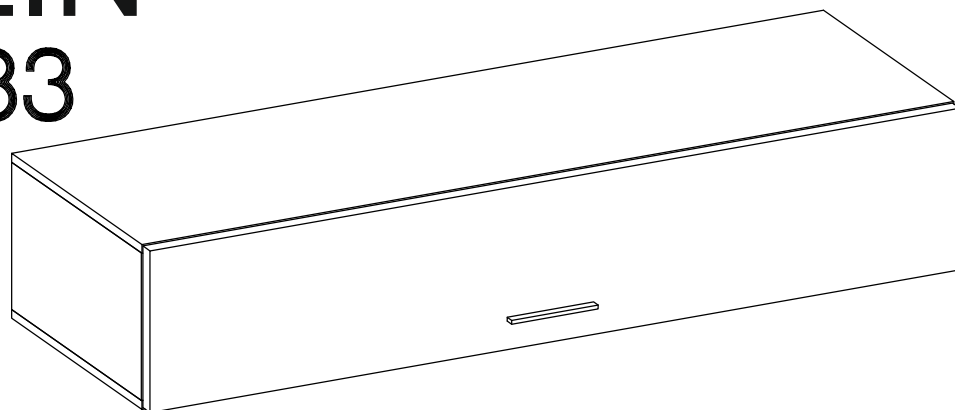



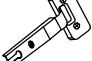







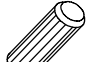





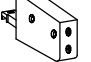


27

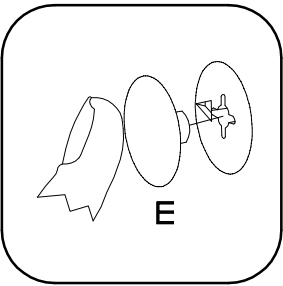
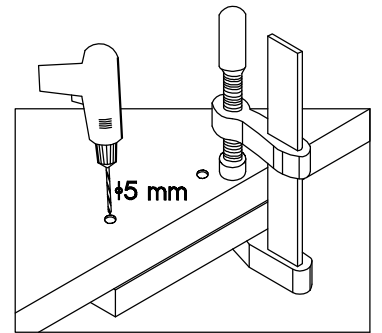
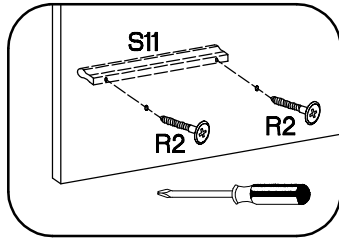
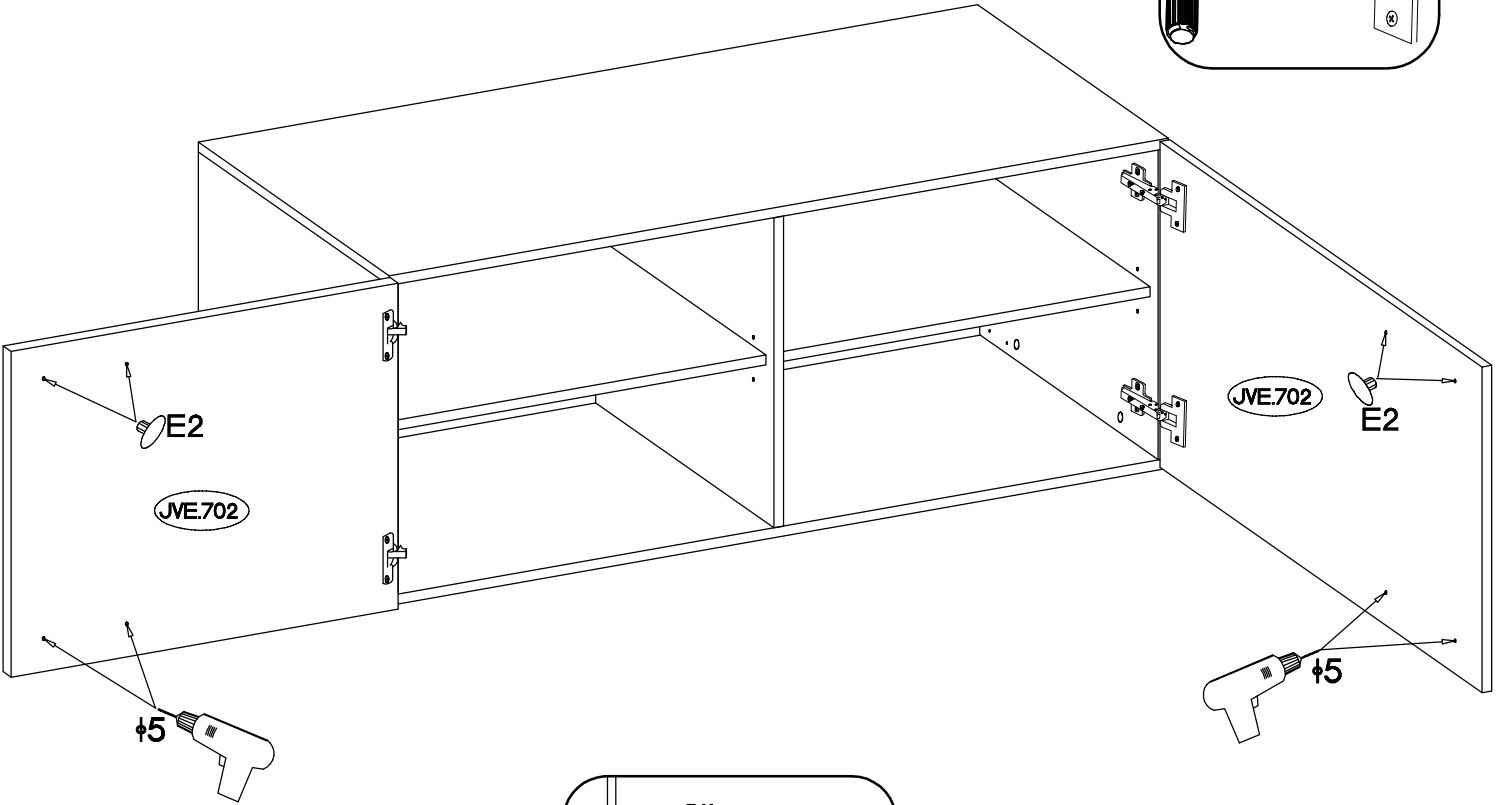
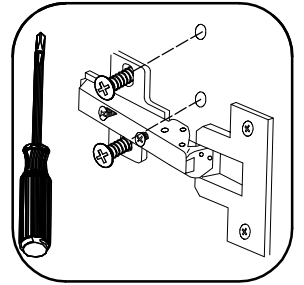


DUBLIN

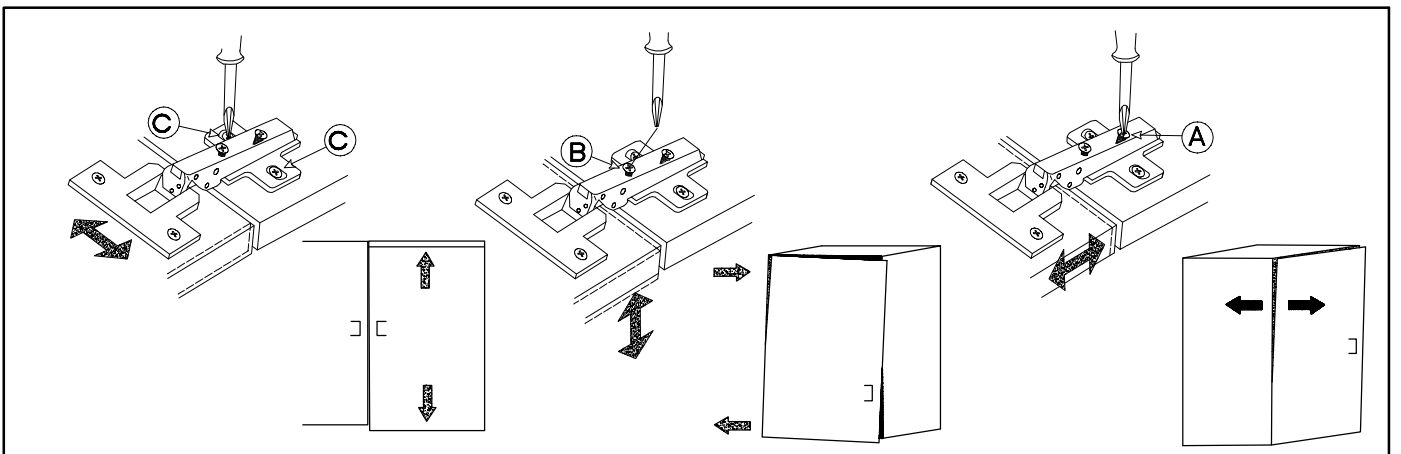
Typ 533




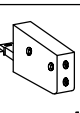

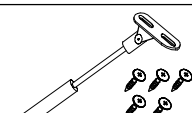


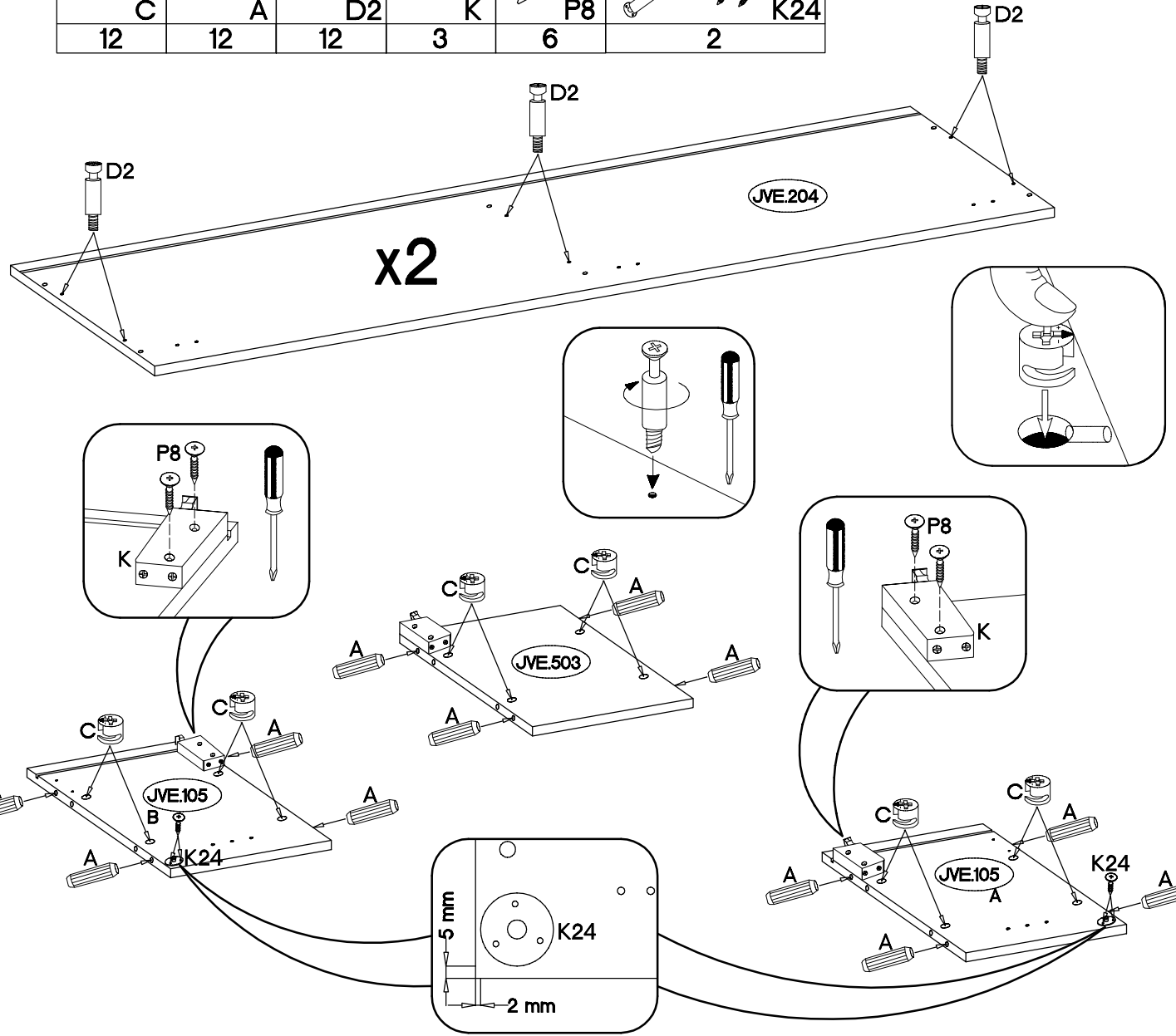
	 J5	 G	 H	 P5	 K24	 O4	 O7	 L2	
	3	3	3	6	2	3	3	3	
 C	 A	 D2	 L	 E	 S11	 R2	 K	 P8	 P7
12	12	12	6	12	1	2	3	6	3




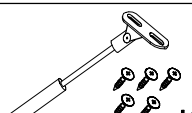


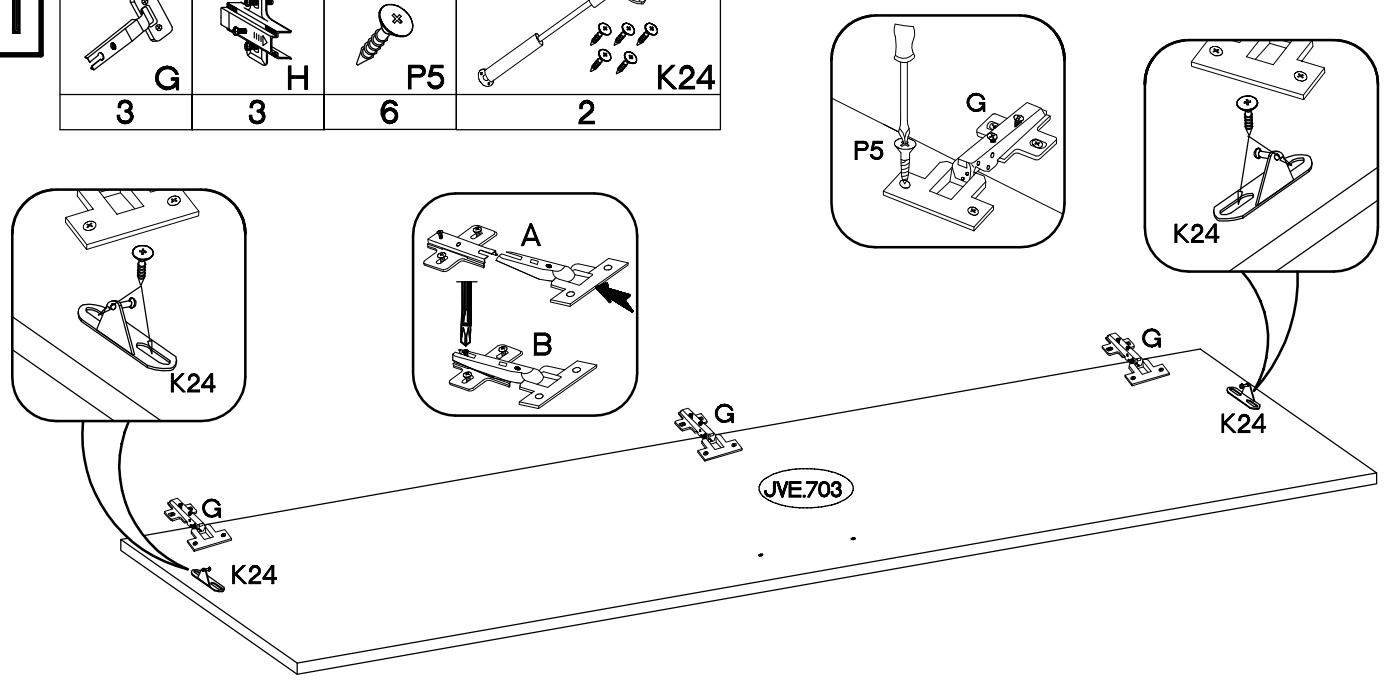
$\pm 4.0 \times 30 \text{mm}$	± 5		L=128mm
R2	E2	E	S11
4	4	12	2



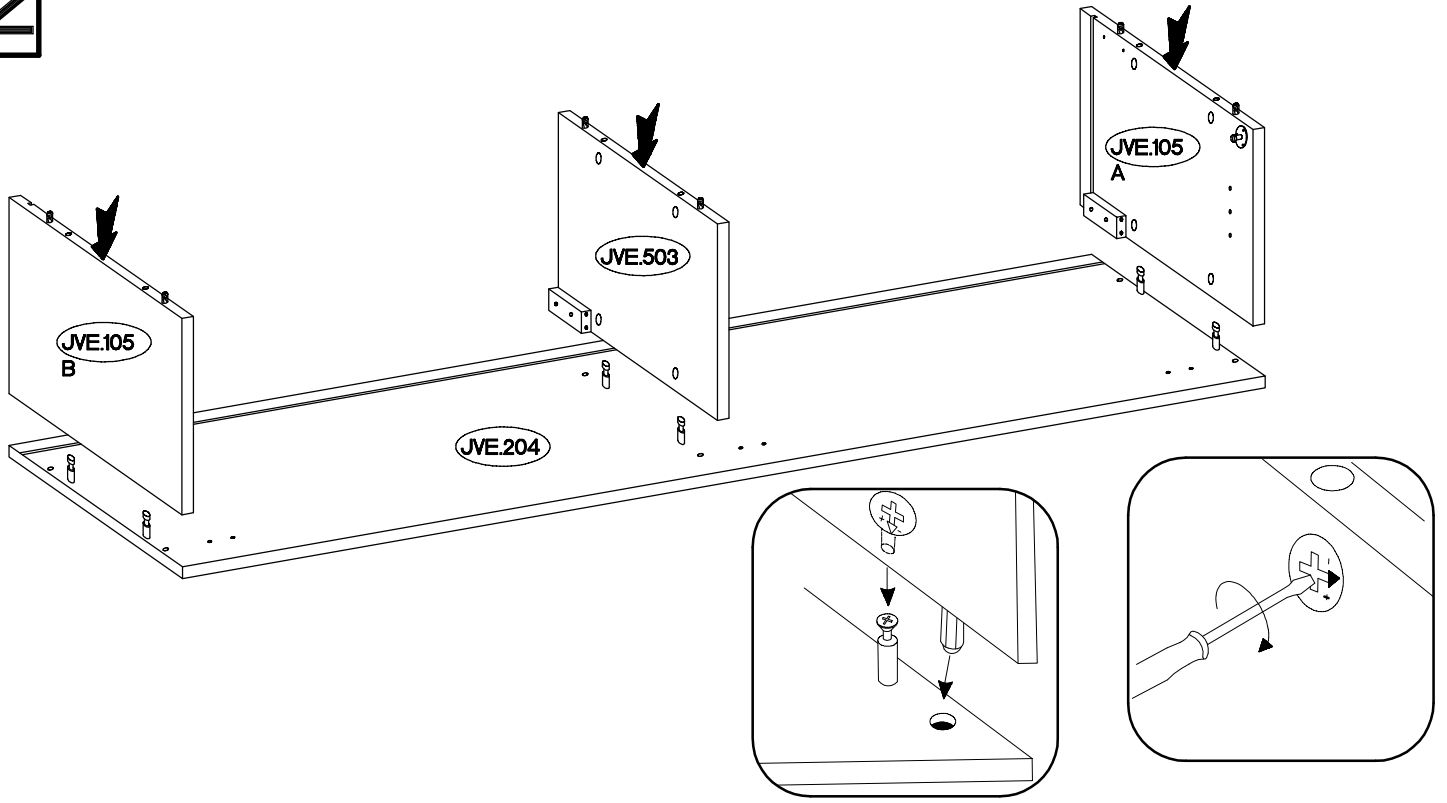
 C	 A	 D2	 K	 P8	 K24
12	12	12	3	6	2



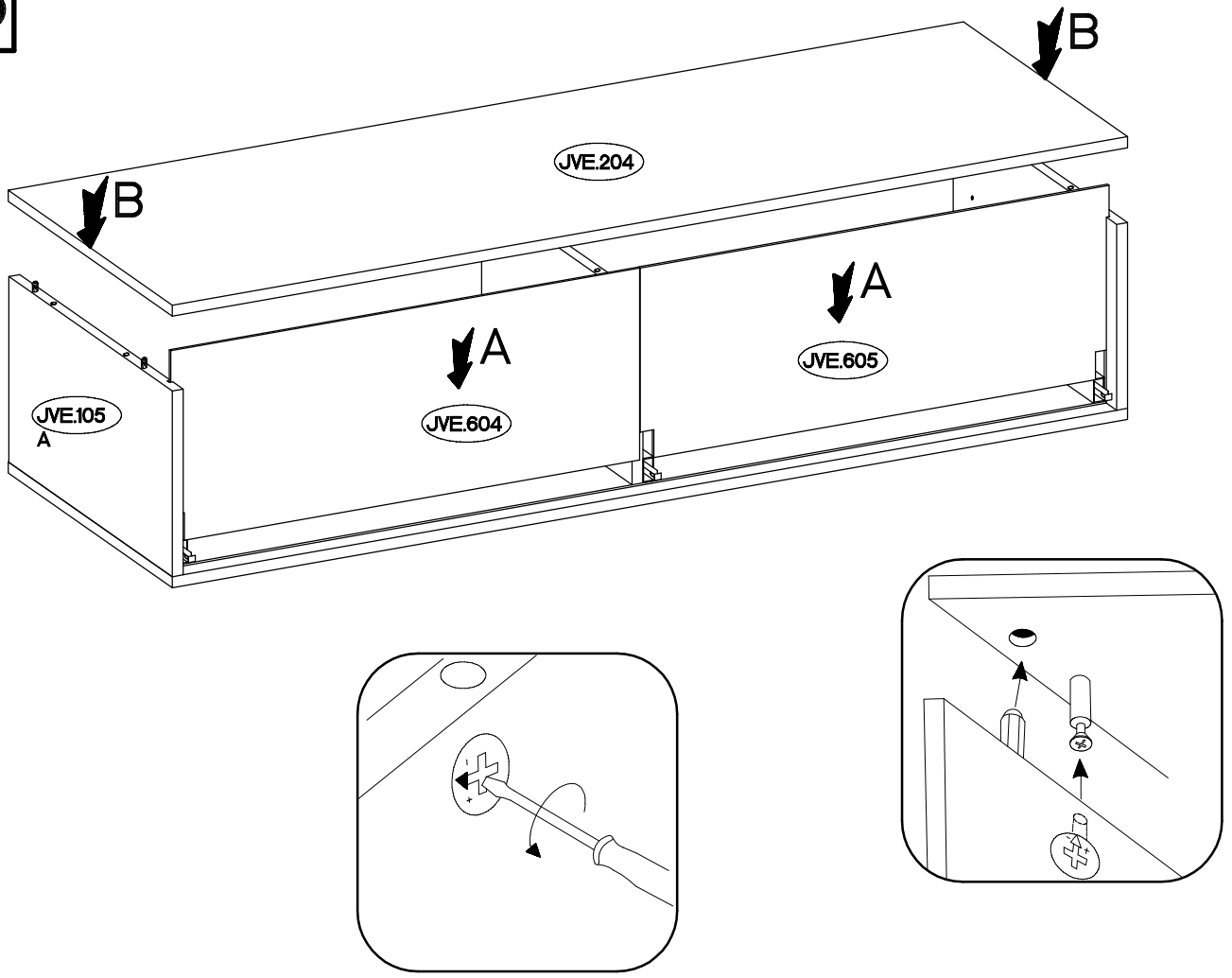
 G	 H	 P5	 K24
3	3	6	2



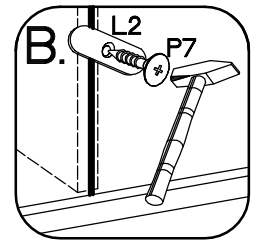
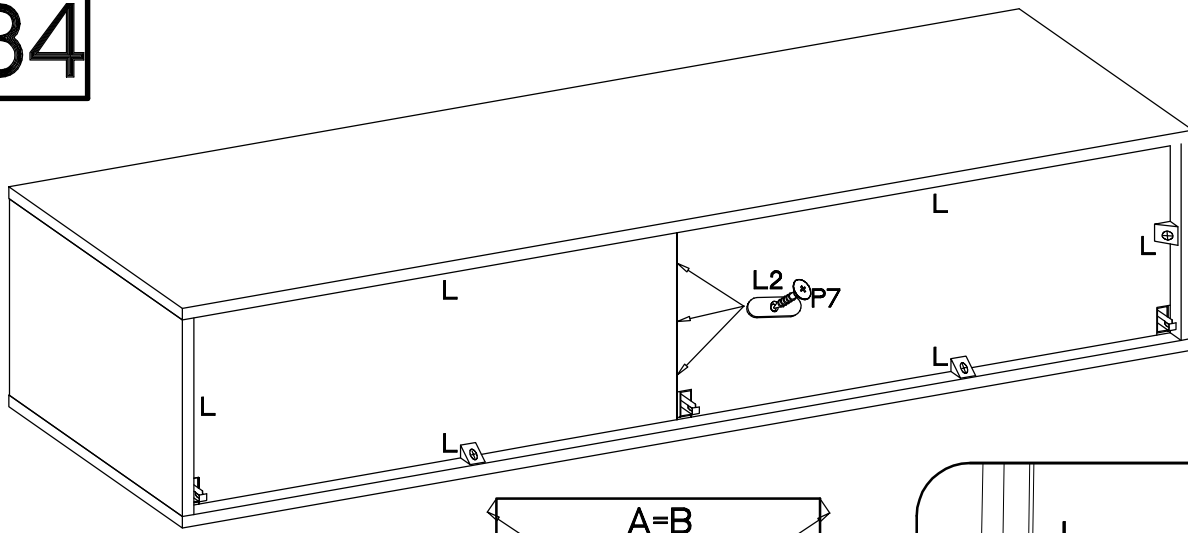
32



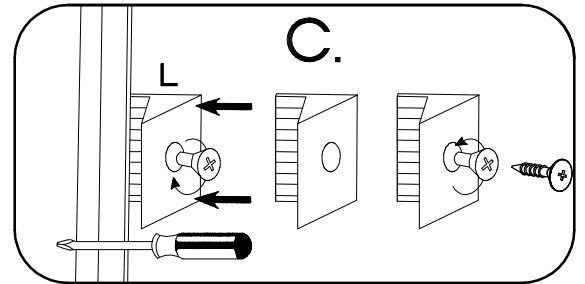
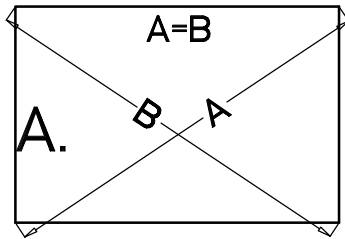
33



34

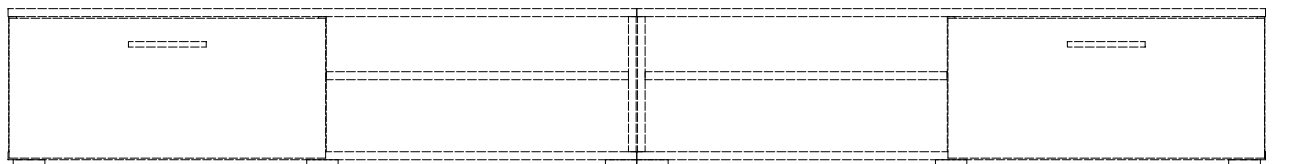
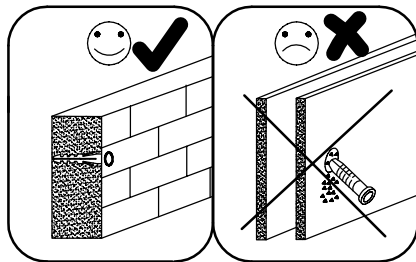
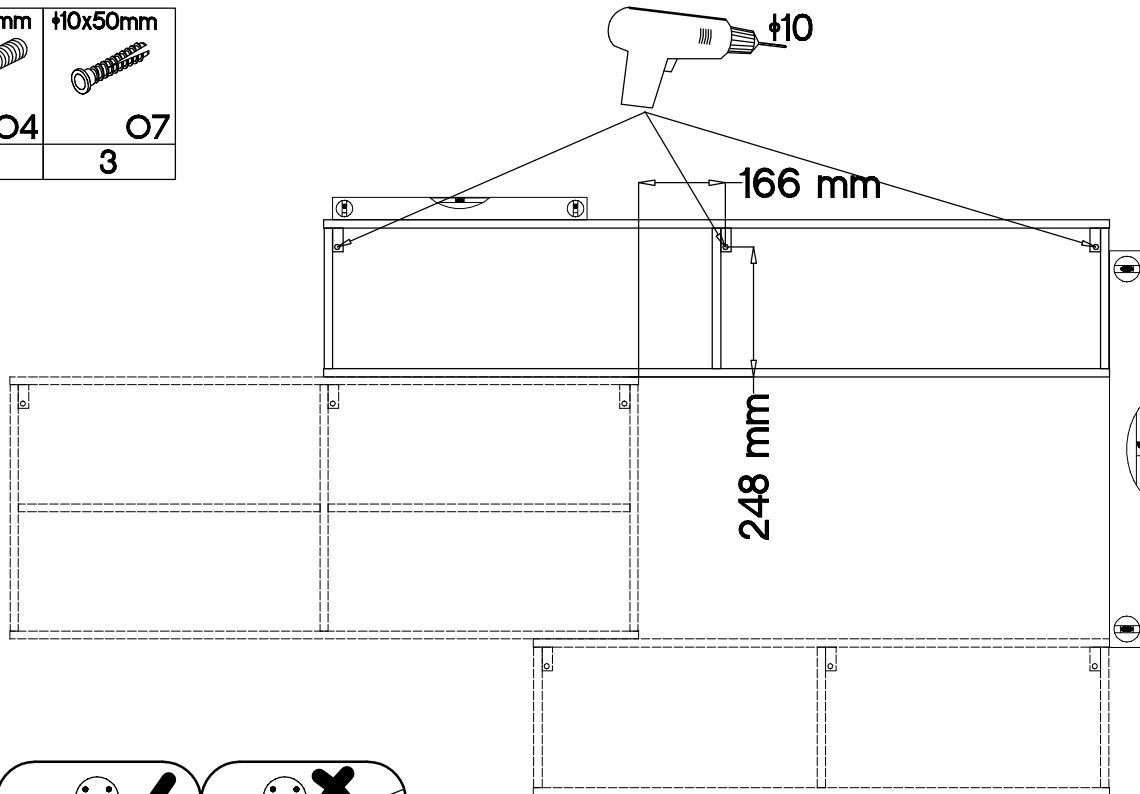


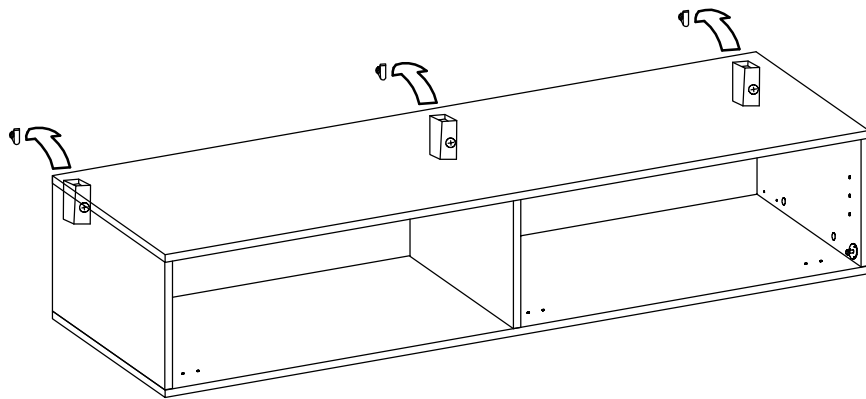
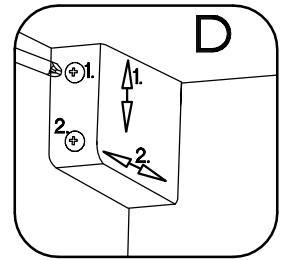
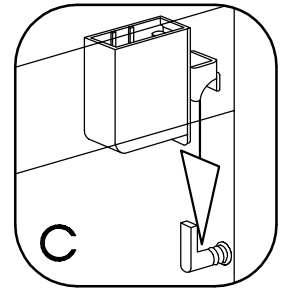
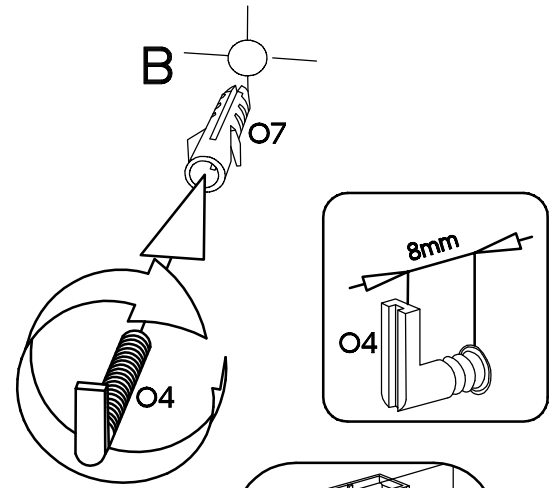
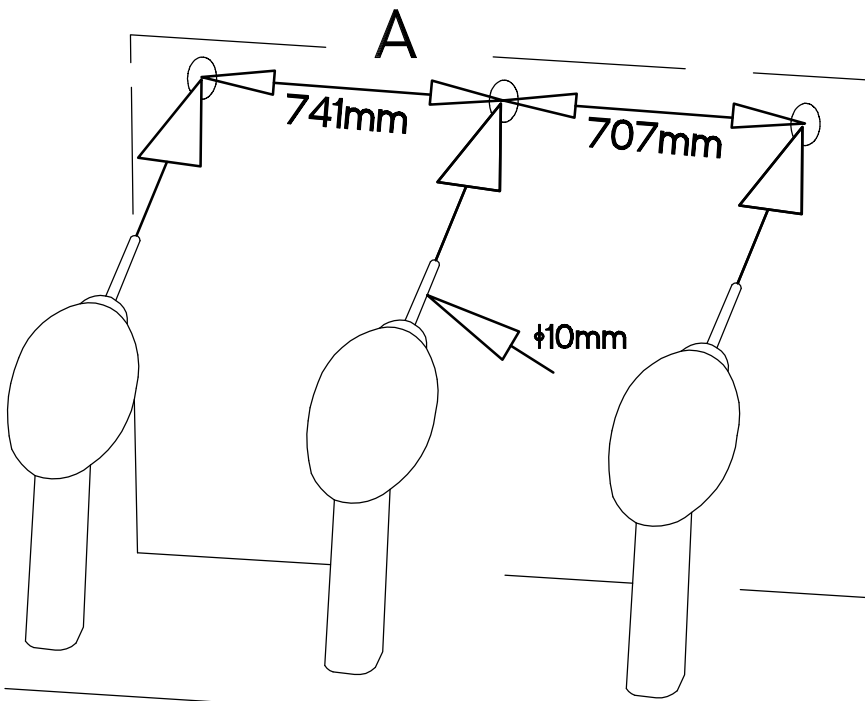
L	L2	P7
6	3	3



35

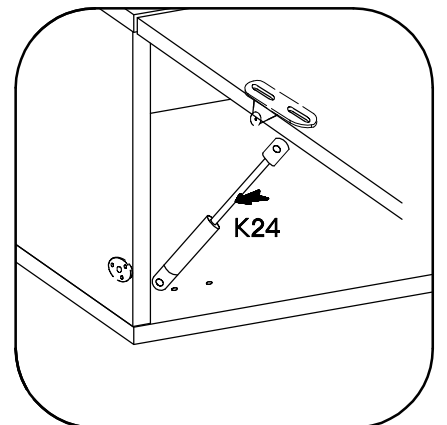
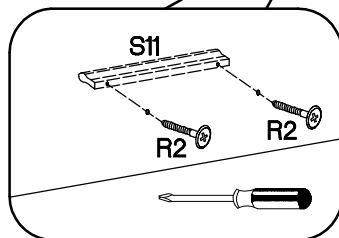
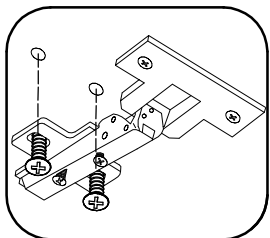
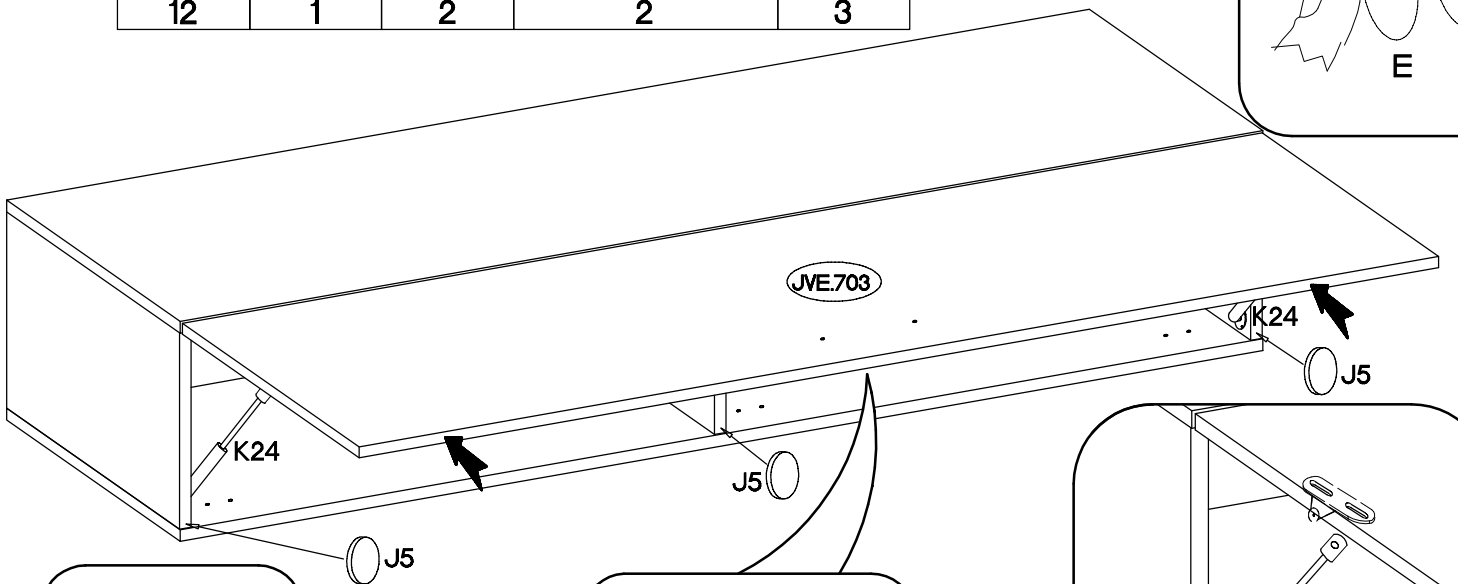
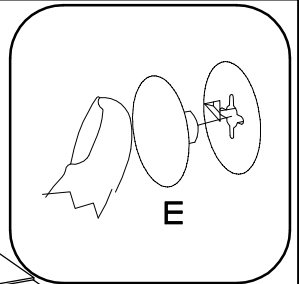
6,5/68mm	†10x50mm
O4	O7
3	3





36

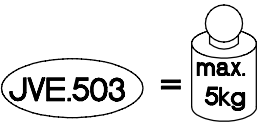
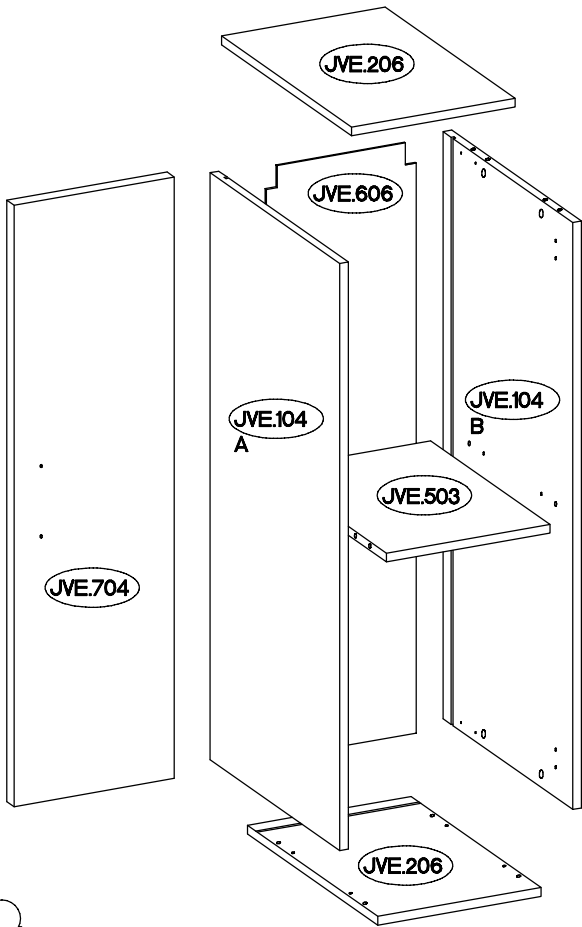
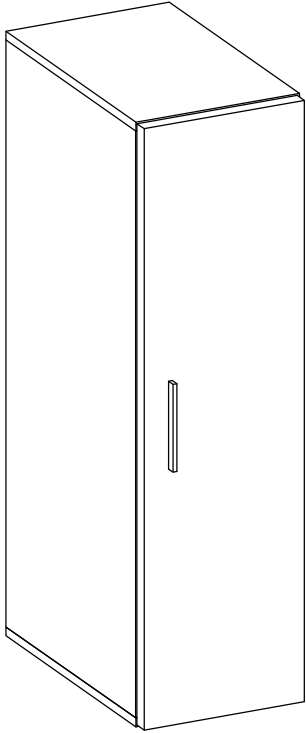
	L=128mm 	$\phi 4.0 \times 30\text{mm}$ 		$\phi 7/2\text{mm}$
E	S11	R2	K24	J5
12	1	2	2	3



37

DUBLIN




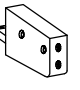

Typ 535

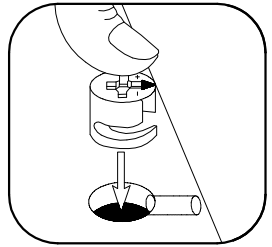
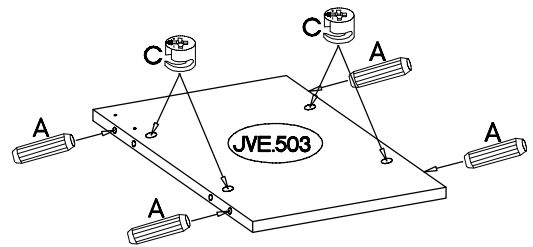
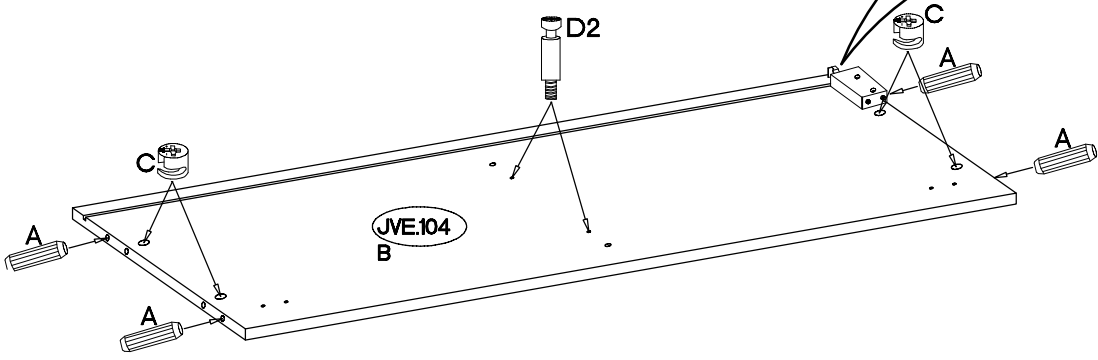
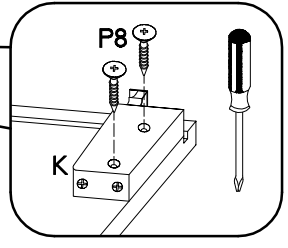
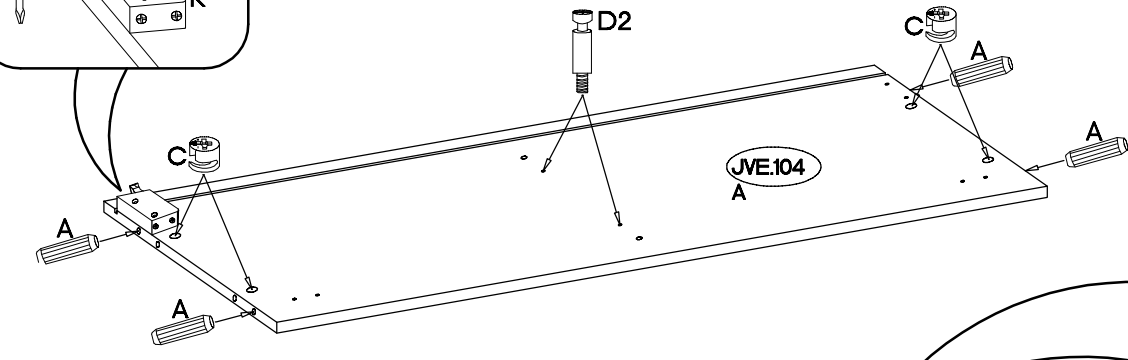
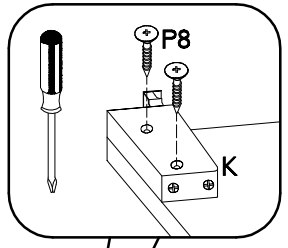
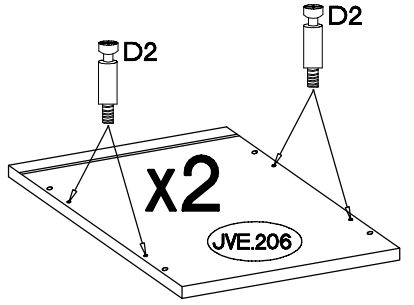
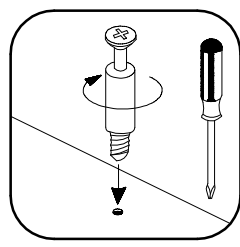


				$\pm 4.0 \times 25 \text{mm}$	$\pm 35/0 \text{mm}$	H=0	$\pm 3.5 \times 13 \text{mm}$	6,5/68mm	$\pm 10 \times 50 \text{mm}$
				3	2	2	4	2	2
$\pm 15/12 \text{mm}$	$\pm 8 \times 30 \text{mm}$	L=20mm			L=128mm	$\pm 4.0 \times 30 \text{mm}$		$\pm 4.0 \times 30 \text{mm}$	$\pm 3.0 \times 20 \text{mm}$
12	12	12	6	12	1	2	2	4	3

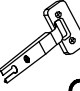






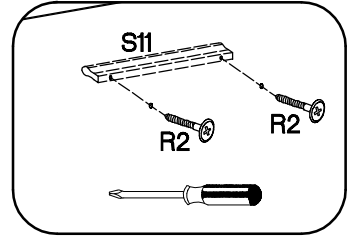
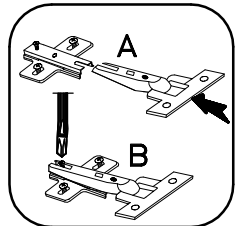
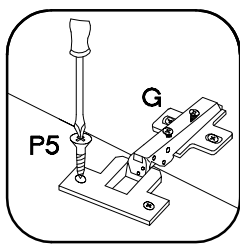
38

±5/12mm  C 12	±8x30mm  A 12	L=20mm  D2 12	 K 2	±4.0x30mm  P8 4
--	--	--	--	--

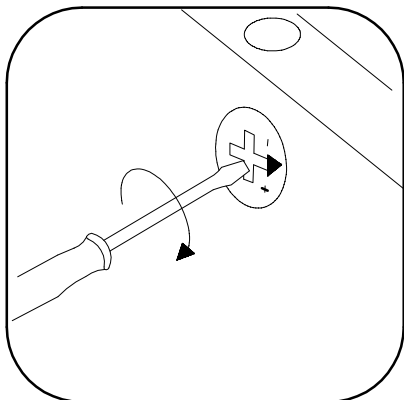
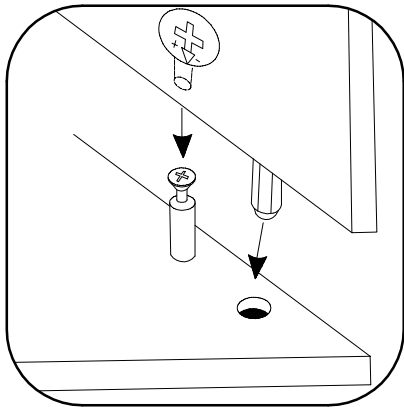
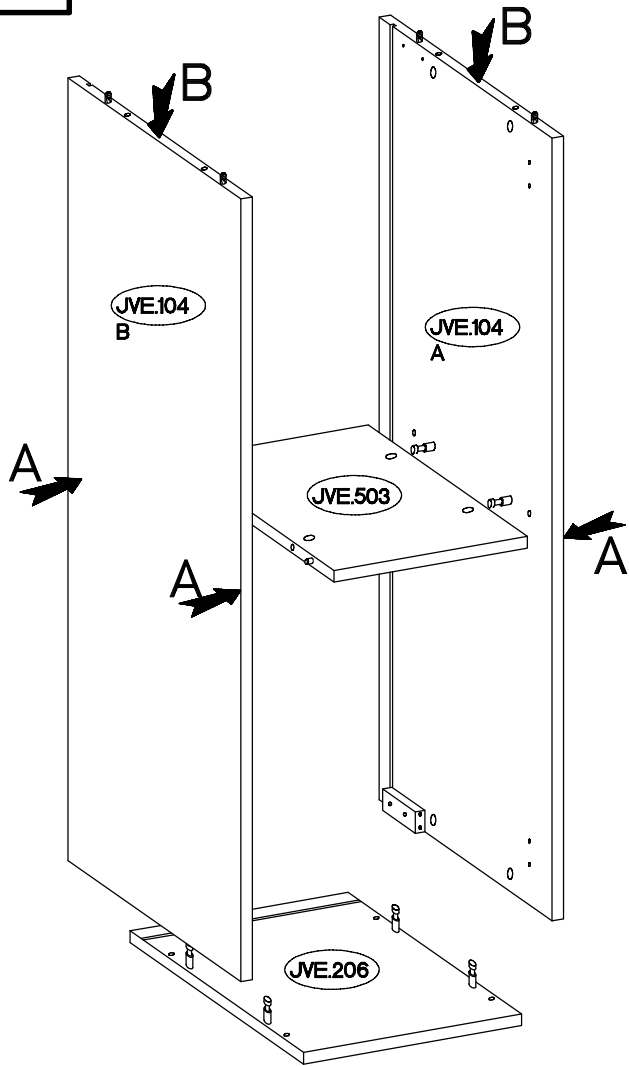


39

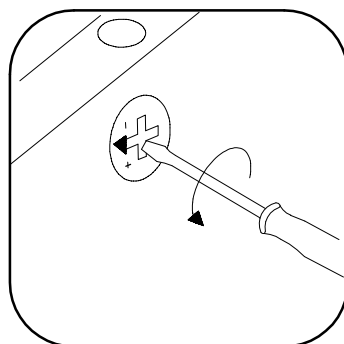
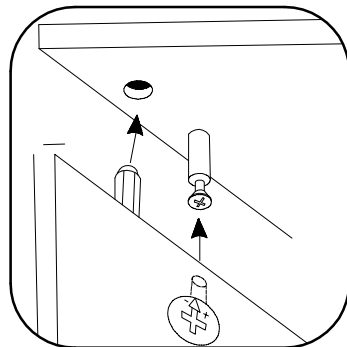
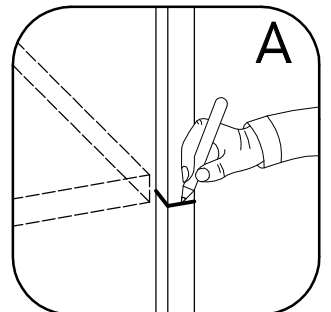
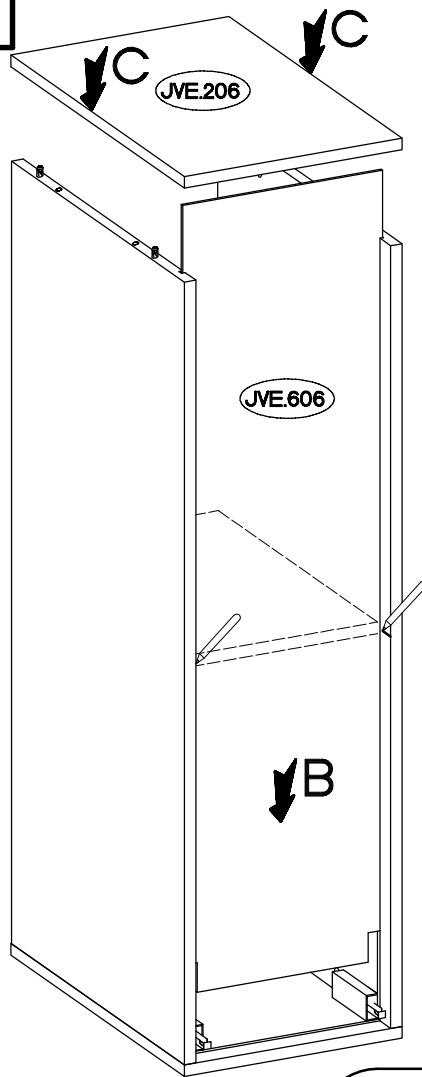
±35/0mm  G 2	H=0  H 2	±3.5x13mm  P5 4	L=128mm  S11 1	±4.0x30mm  R2 2
--	--	---	--	---



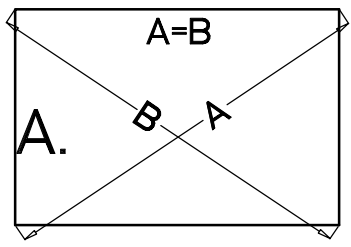
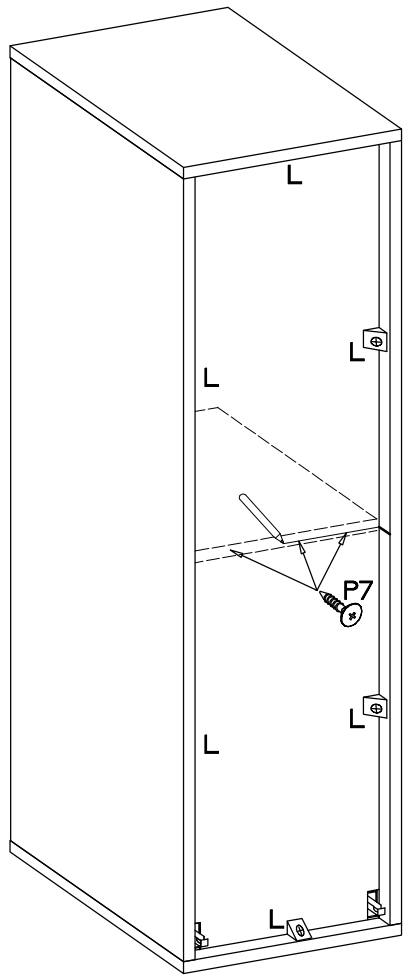
40



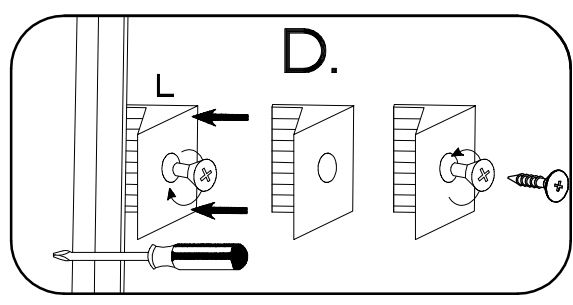
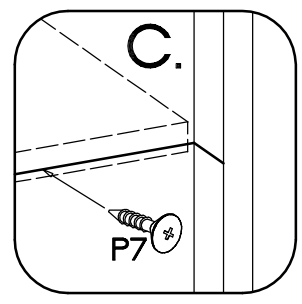
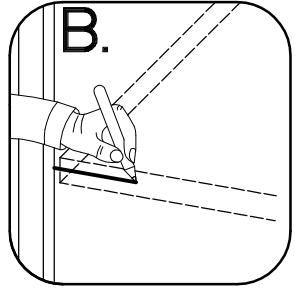
41



42

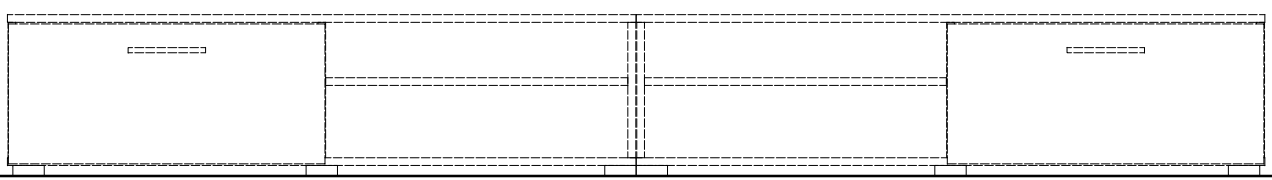
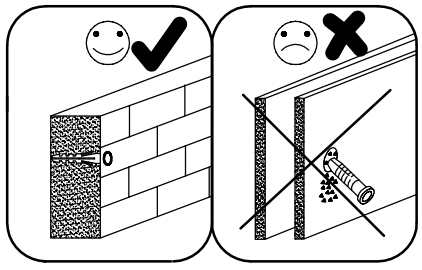
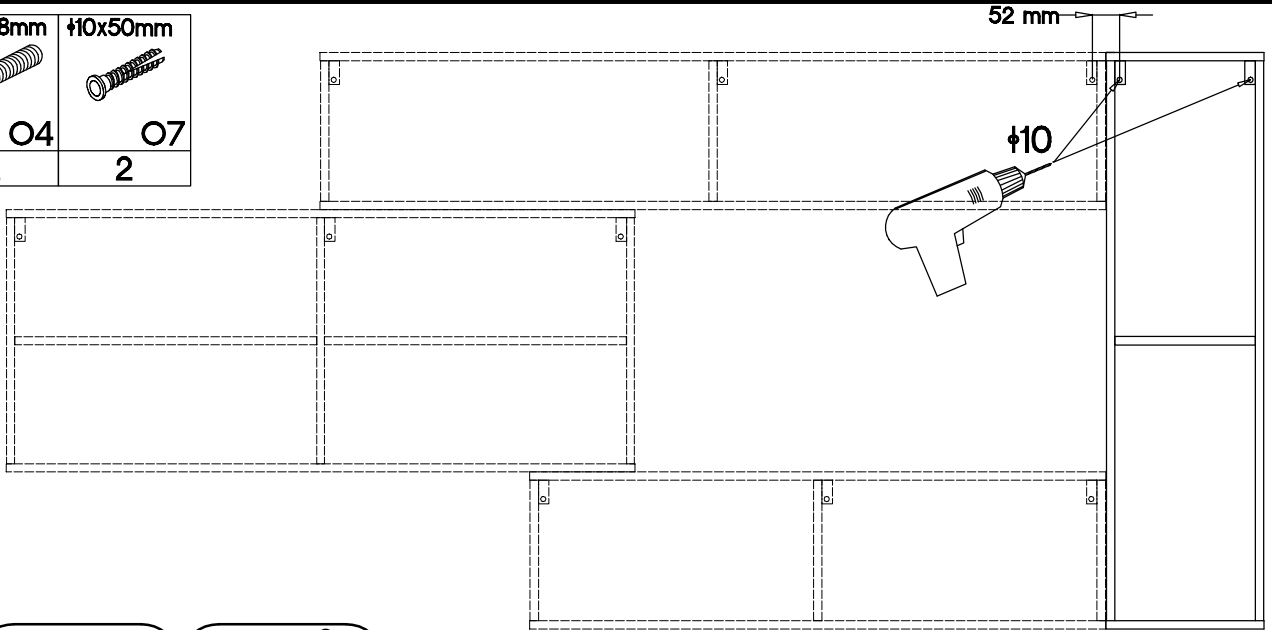


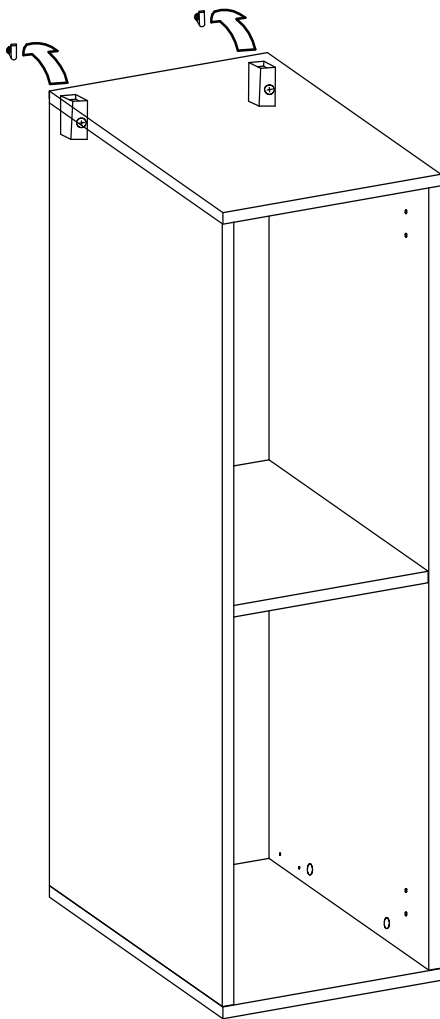
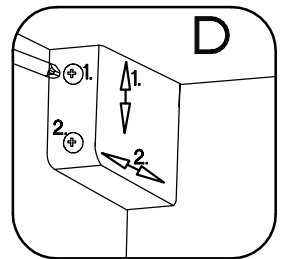
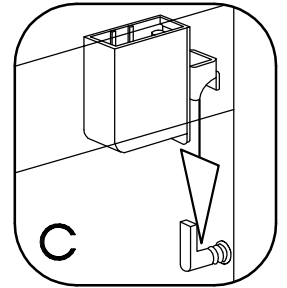
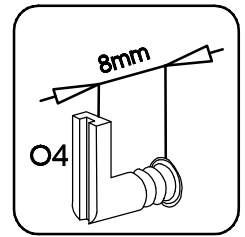
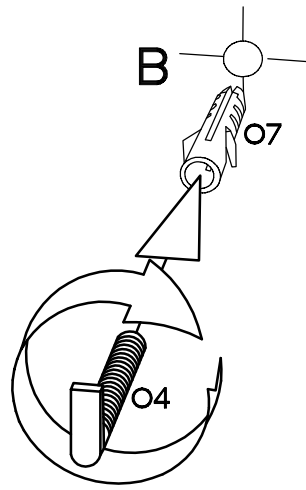
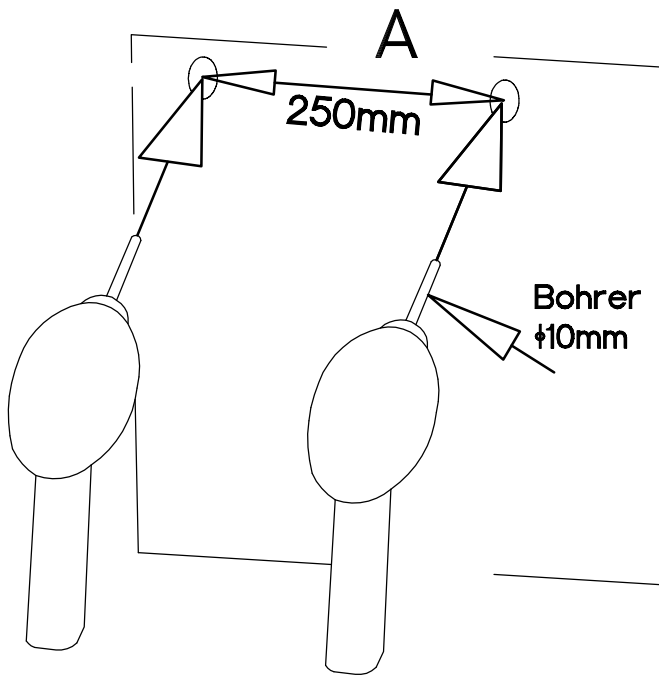
	$\phi 3.0 \times 20 \text{mm}$
L	P7
6	3



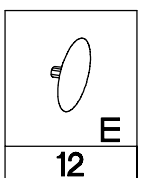
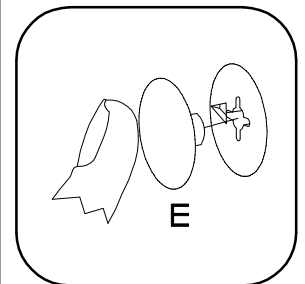
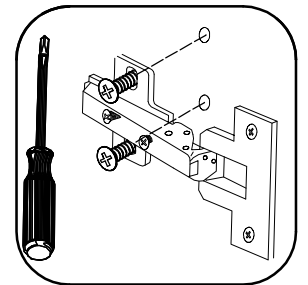
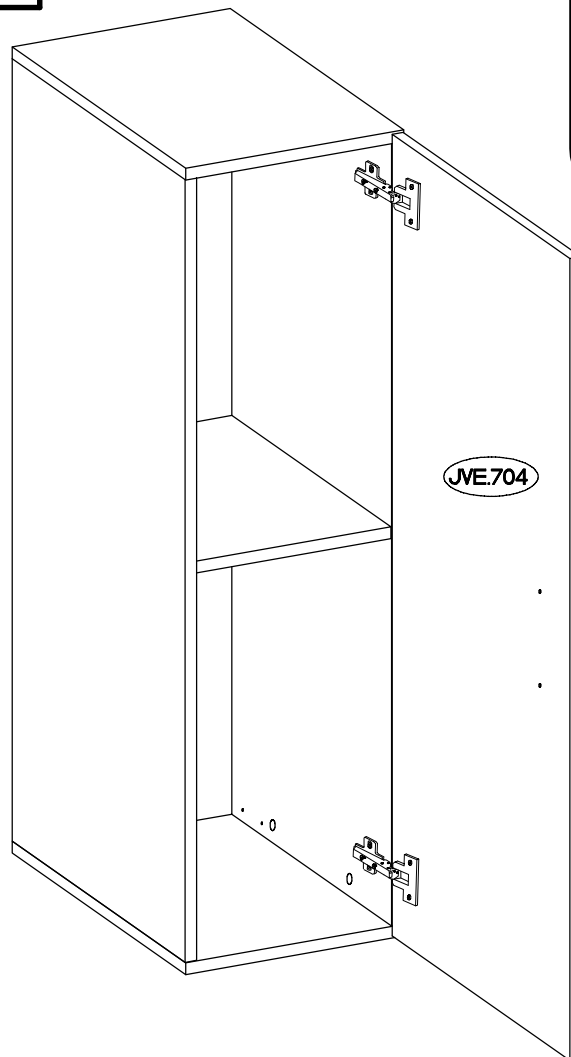
43

6,5/68mm	$\phi 10 \times 50 \text{mm}$
O4	O7
2	2





44



45

4.0x25mm



R

3

