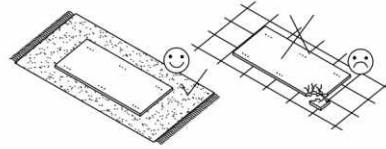
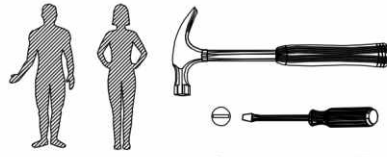
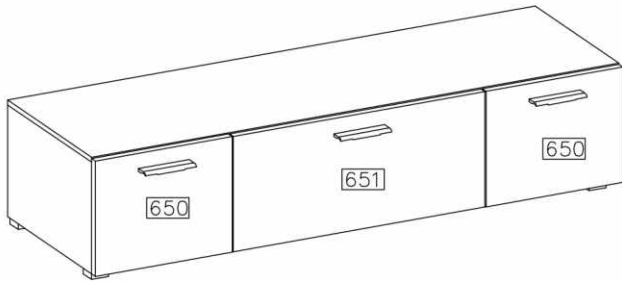
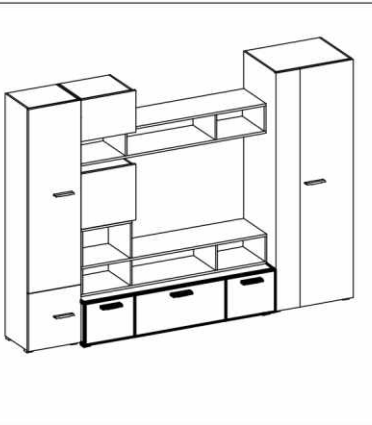
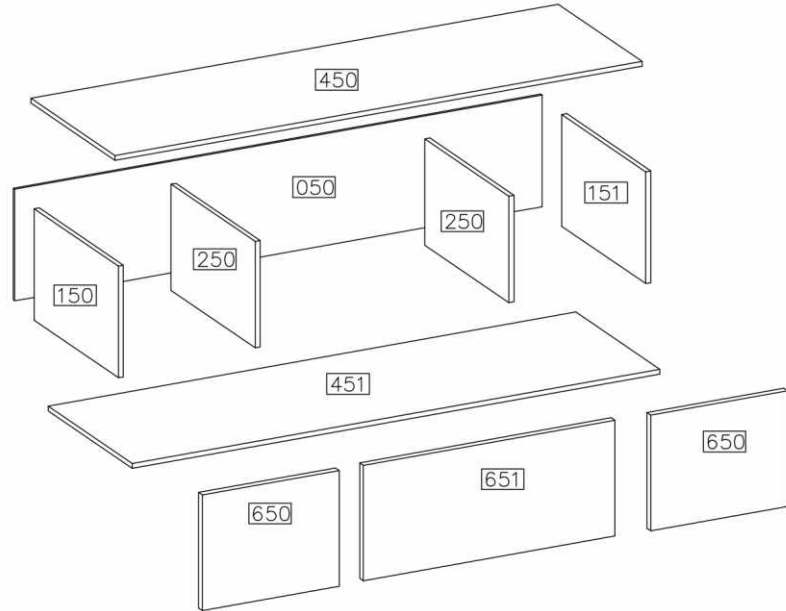
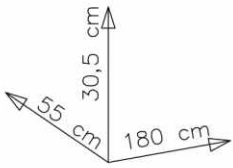













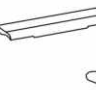



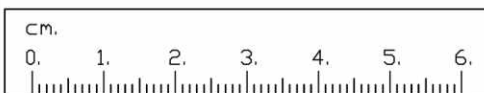
NOVIA







#		
1	450	1
2	451	1
3	150	1
4	151	1
5	250	2
6	050	1
7	650	2
8	651	1

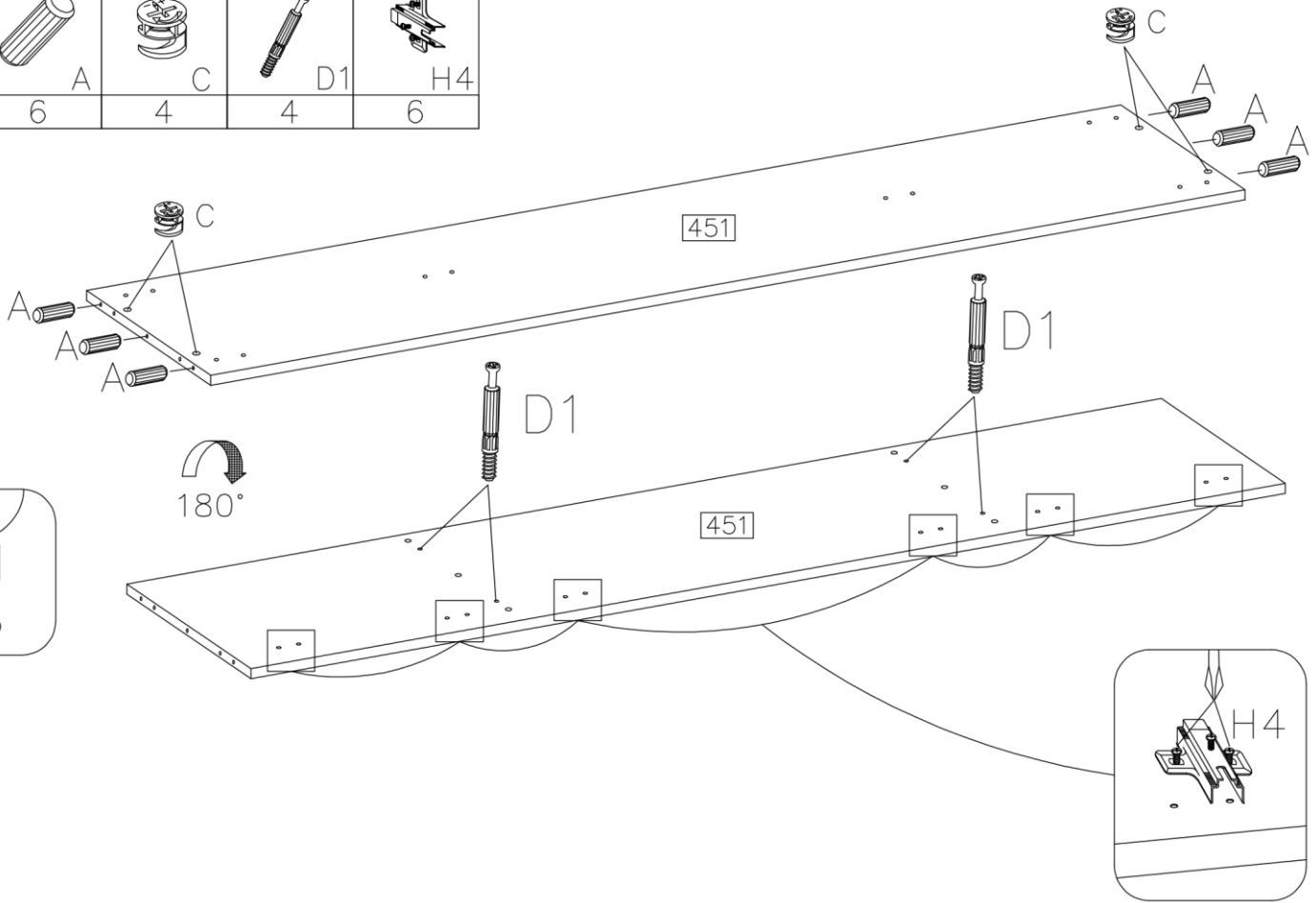


 D1	 C	 E	 A	 H=0 H4	 G6	 P1	 F10
16	16	16	24	6	6	12	40
4.0x35mm			3.0x20mm	3.5x13mm		4.0x27mm	
 R3	 F4	 K	 R4	 P2	 S1	 R2	
12	6	3	12	9	3	6	




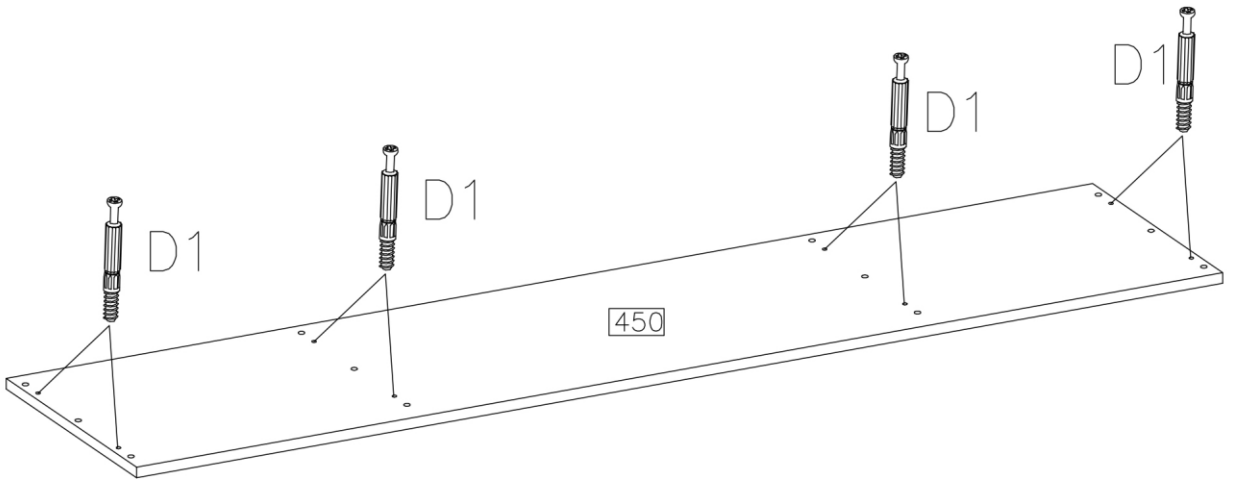
1

$\varnothing 8 \times 30 \text{mm}$  A	$\varnothing 15 / 12 \text{mm}$  C	 D1	H=0  H4
6	4	4	6




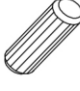



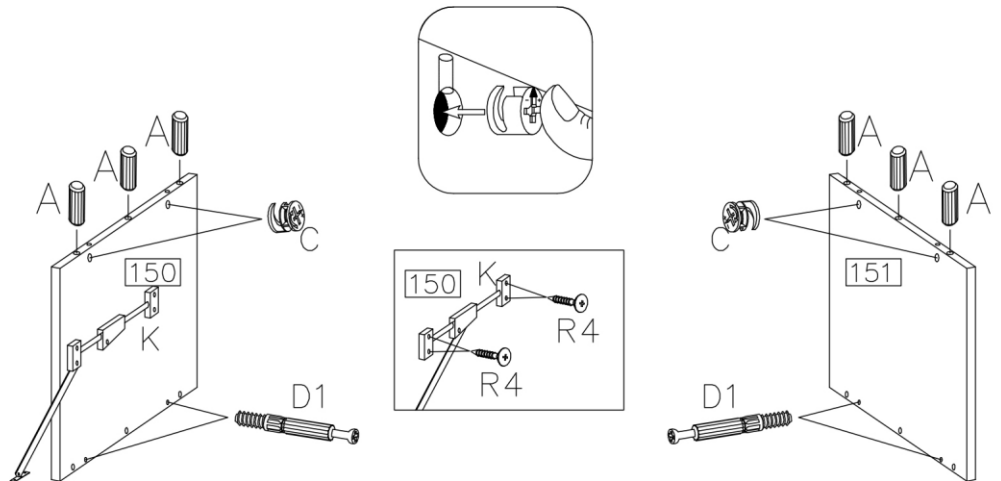
2

 D1
8

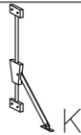





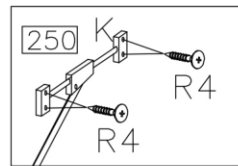
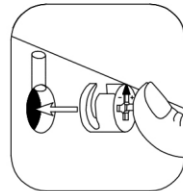
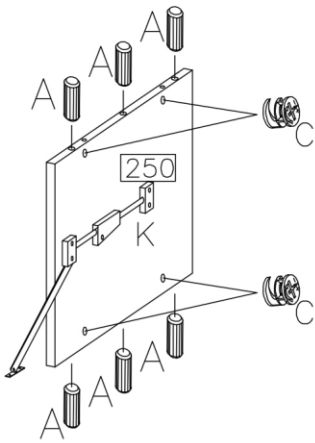
3

 D1	 K	$3.0 \times 20 \text{mm}$  R4
4	1	4
$\varnothing 8 \times 30 \text{mm}$  A	$\varnothing 15 / 12 \text{mm}$  C	
6	4	




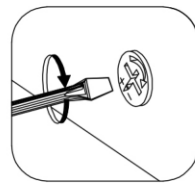
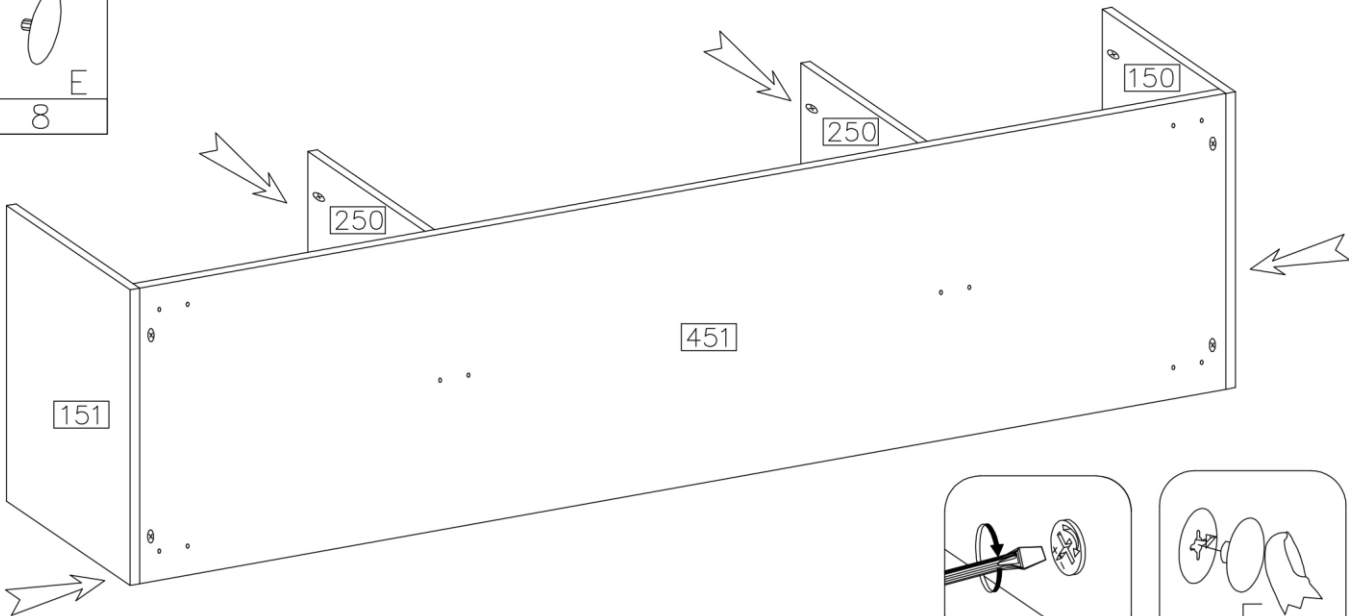
4

	3.0x20mm
2	8
	R4
	
12	8





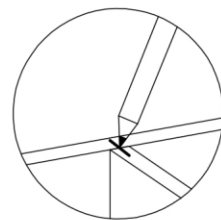
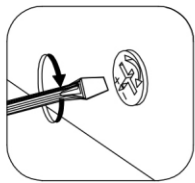
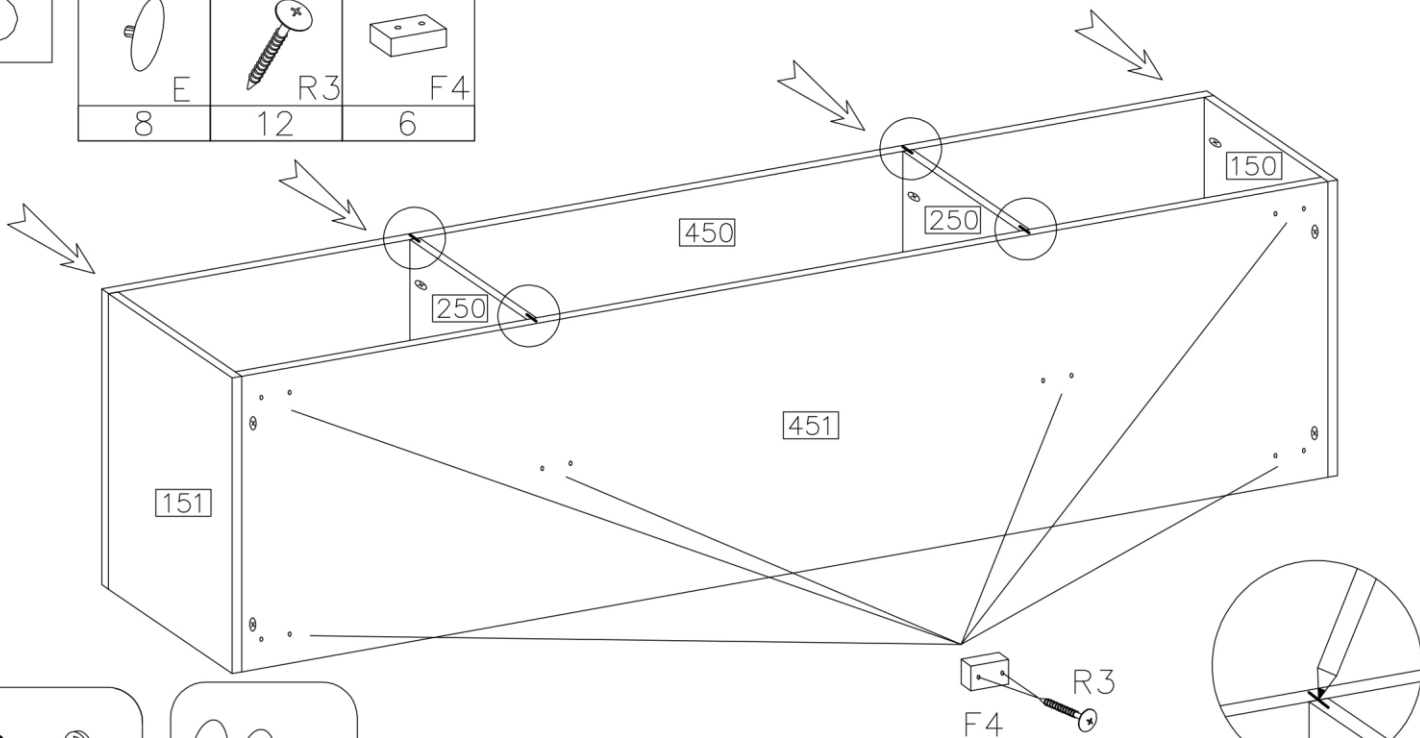
5


8

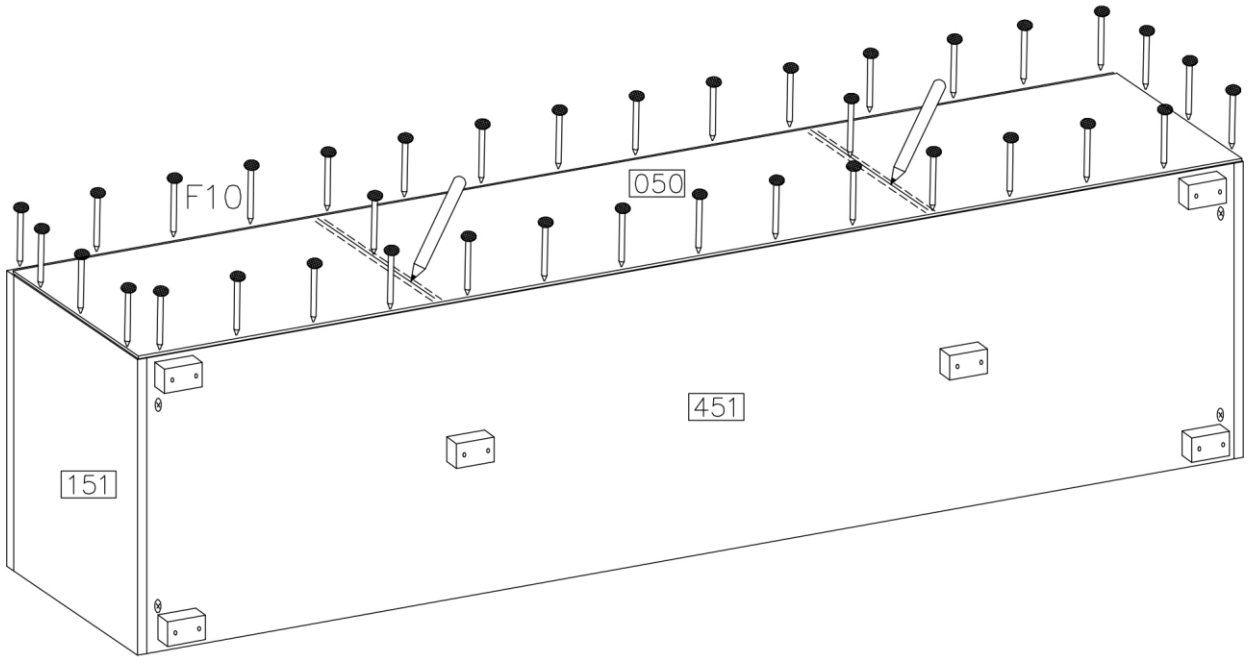
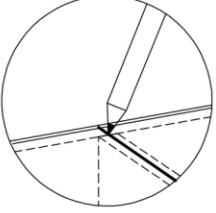
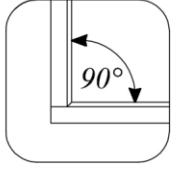
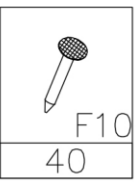


6

	4.0x35mm	
8	12	6

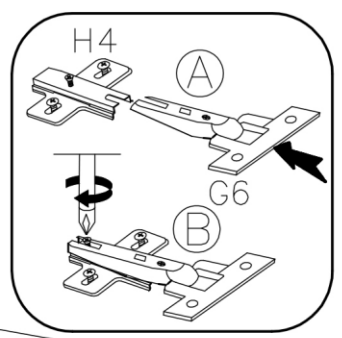
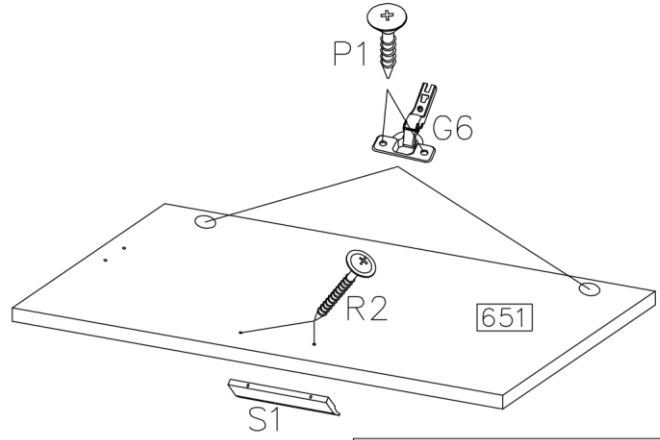
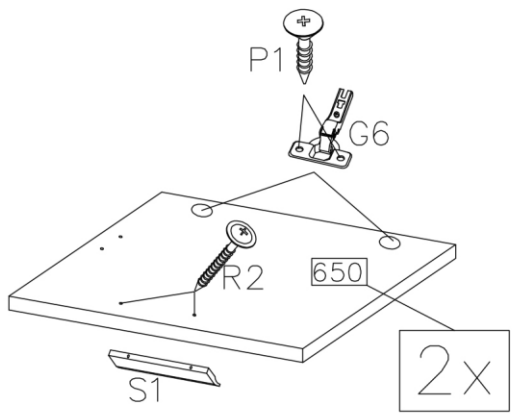


7



8

	4.0x27mm	4.0x16mm	ø35/KR-0
S1	R2	P1	G6
3	6	12	6



9

3.5x13mm
P2
9

