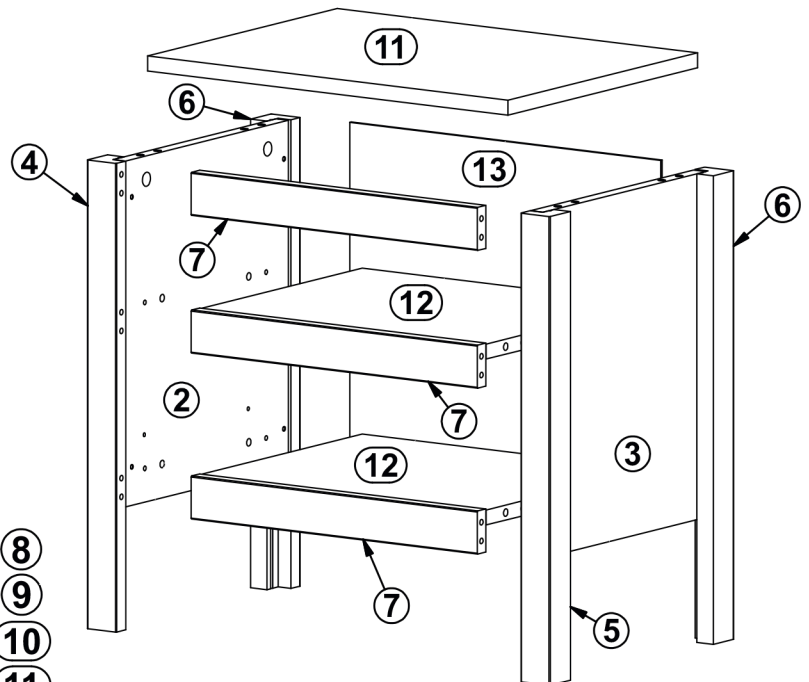
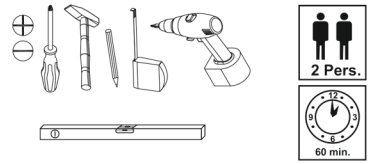
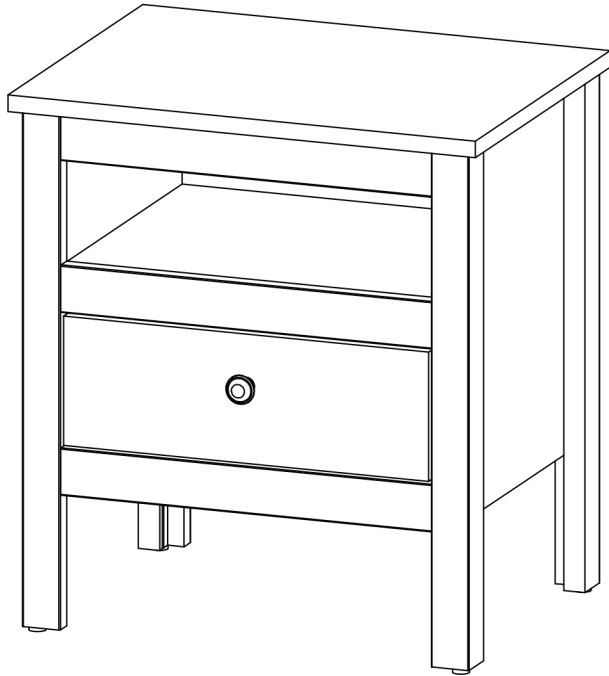
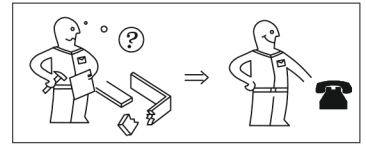
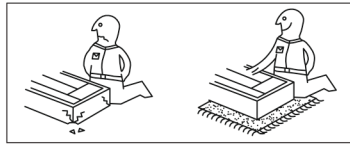
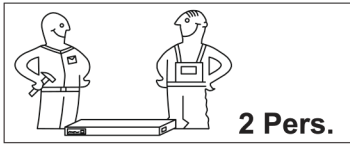
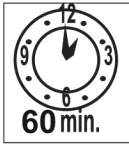
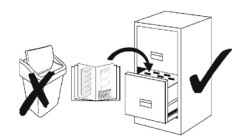
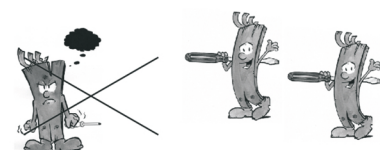
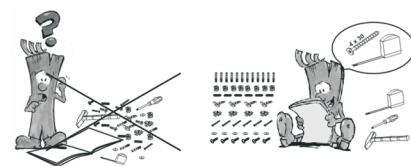
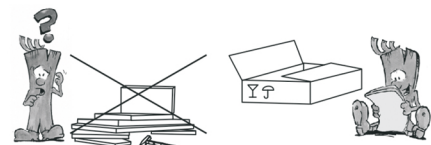
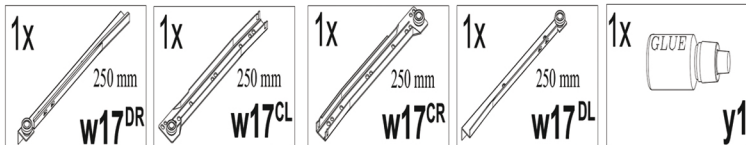
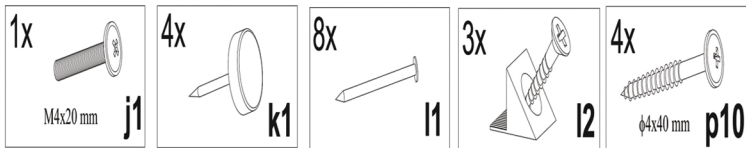
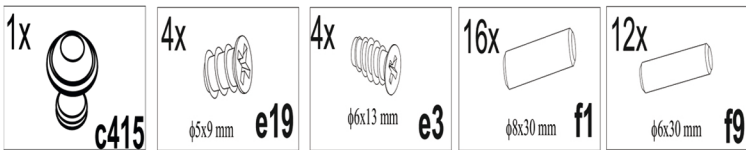
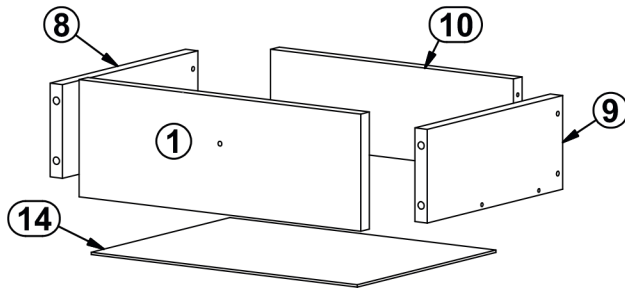


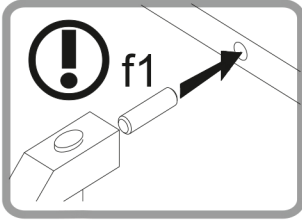
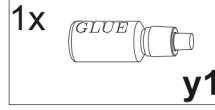
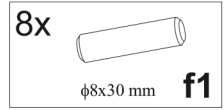
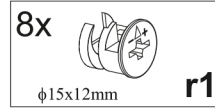
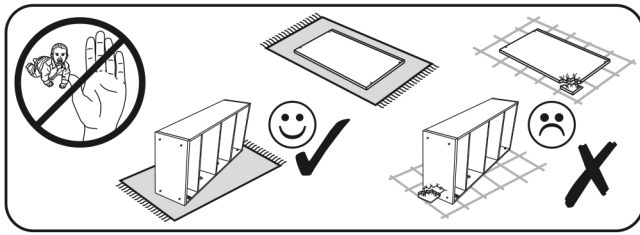
OLJE 1S



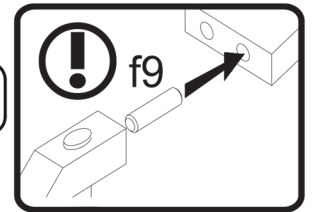
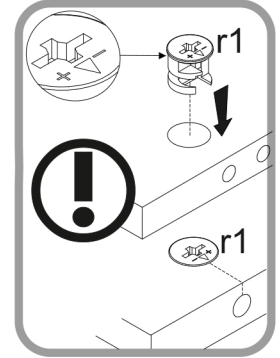
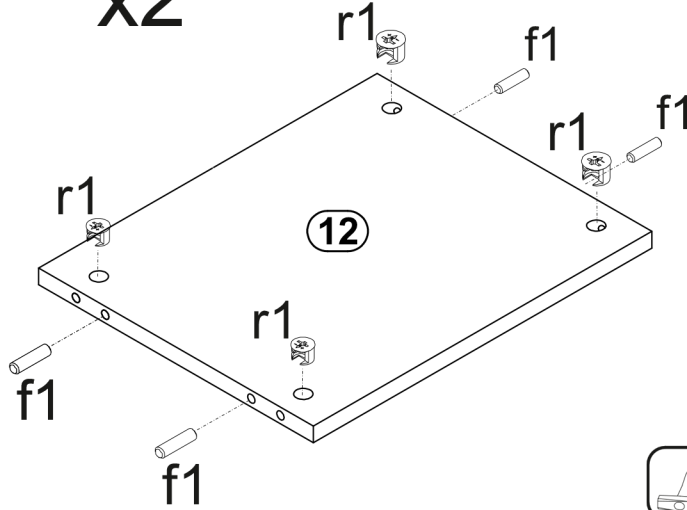
- 1
- 2
- 3
- 4
- 5
- 6 x2
- 7 x3
- 8
- 9
- 10
- 11
- 12 x2
- 13
- 14



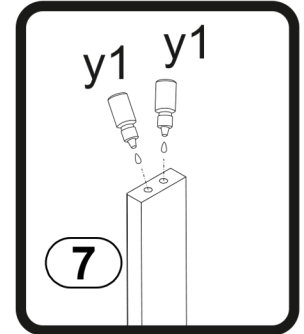
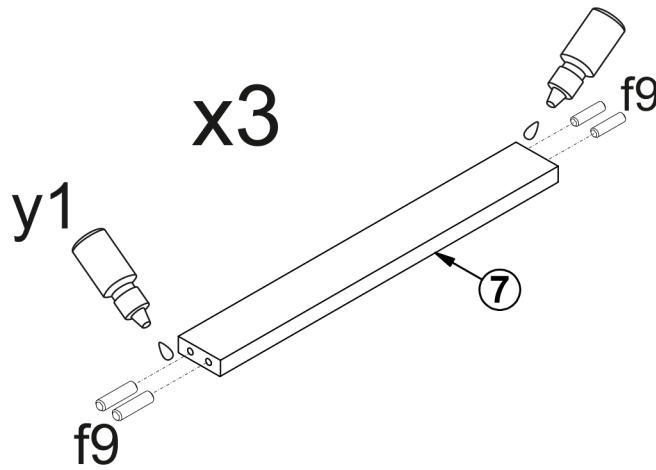
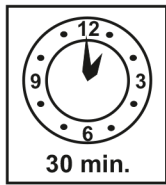
1



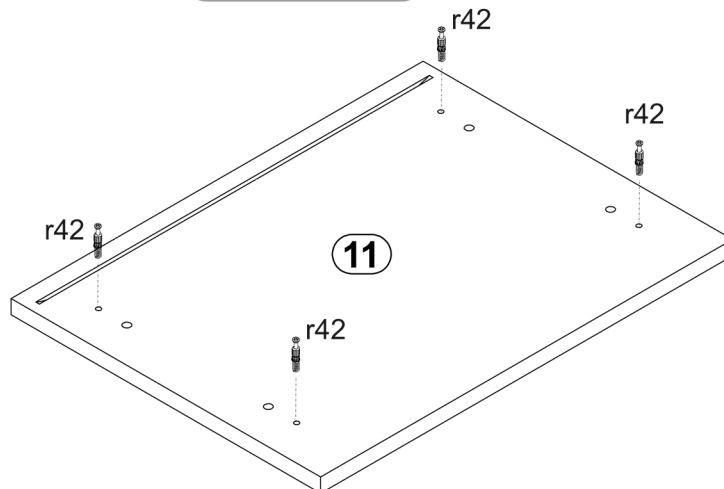
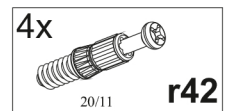
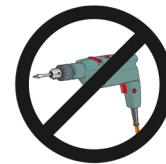
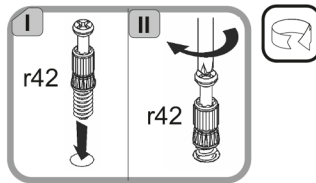
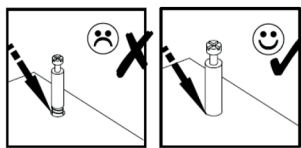
x2




x3





2




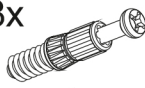
3

4x  **r1**
φ15x12mm


4x  **f1**
φ8x30 mm

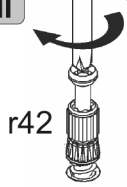
1x  **w17^{CL}**
250 mm

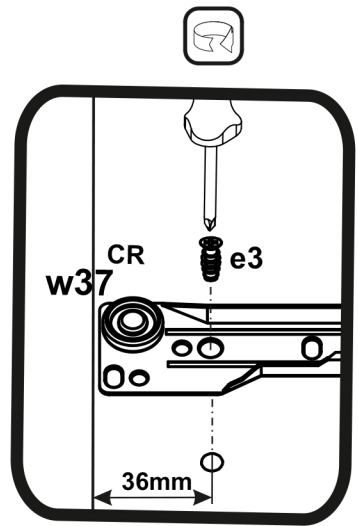
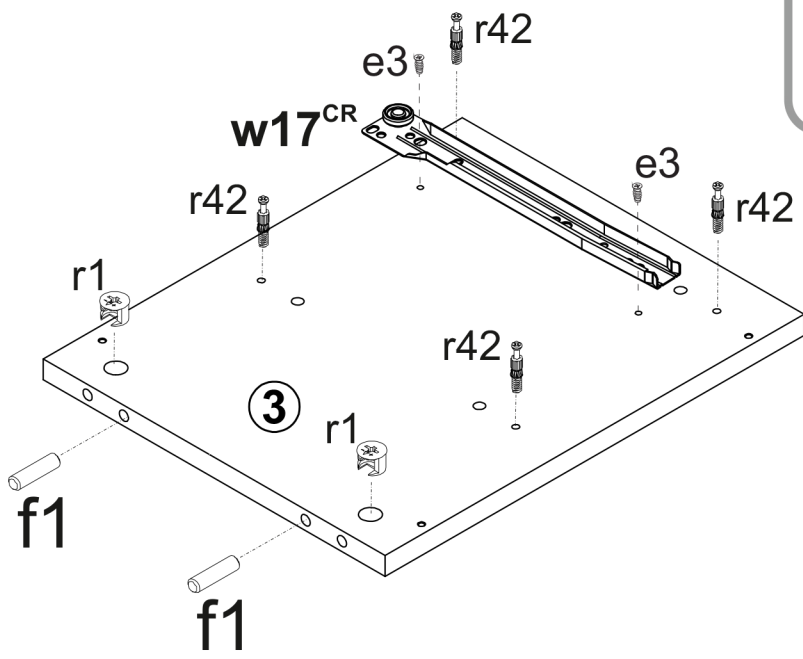
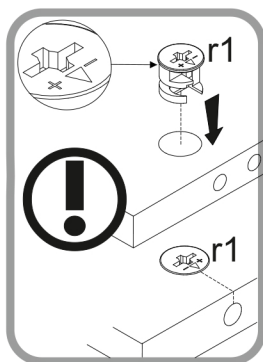
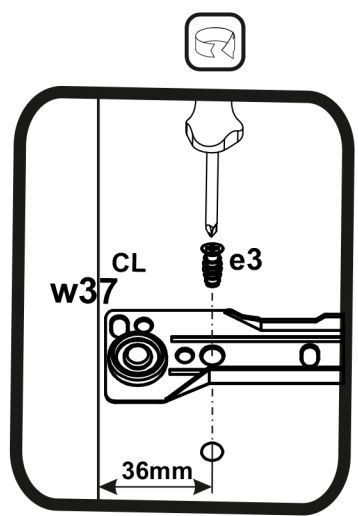
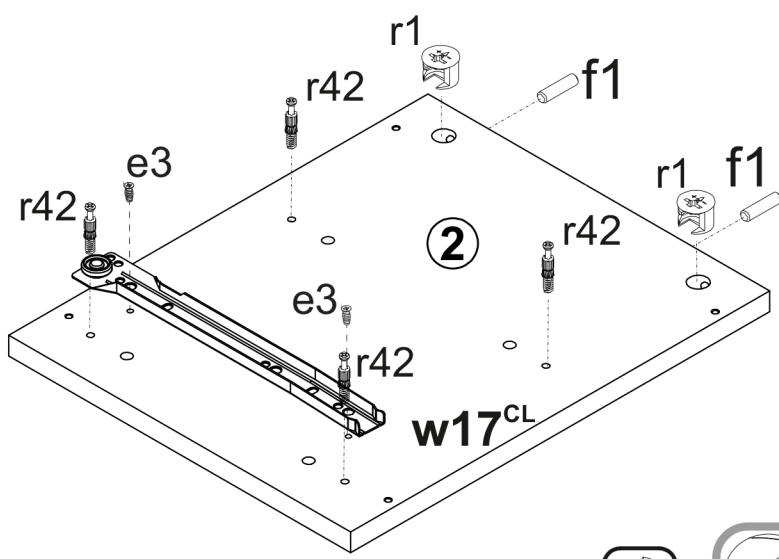
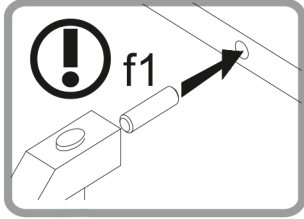
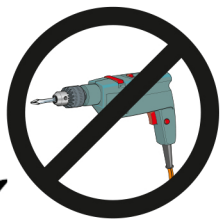
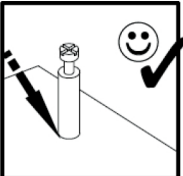
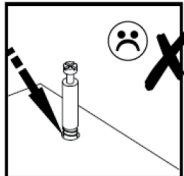
1x  **w17^{CR}**
250 mm

8x  **r42**
20/11

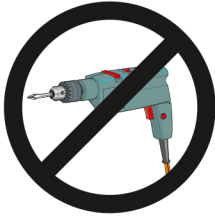
4x  **e3**
φ6x13 mm

I  **r42**

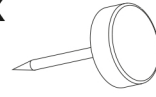
II  **r42**



4



2x



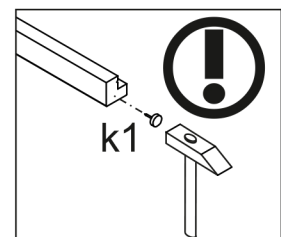
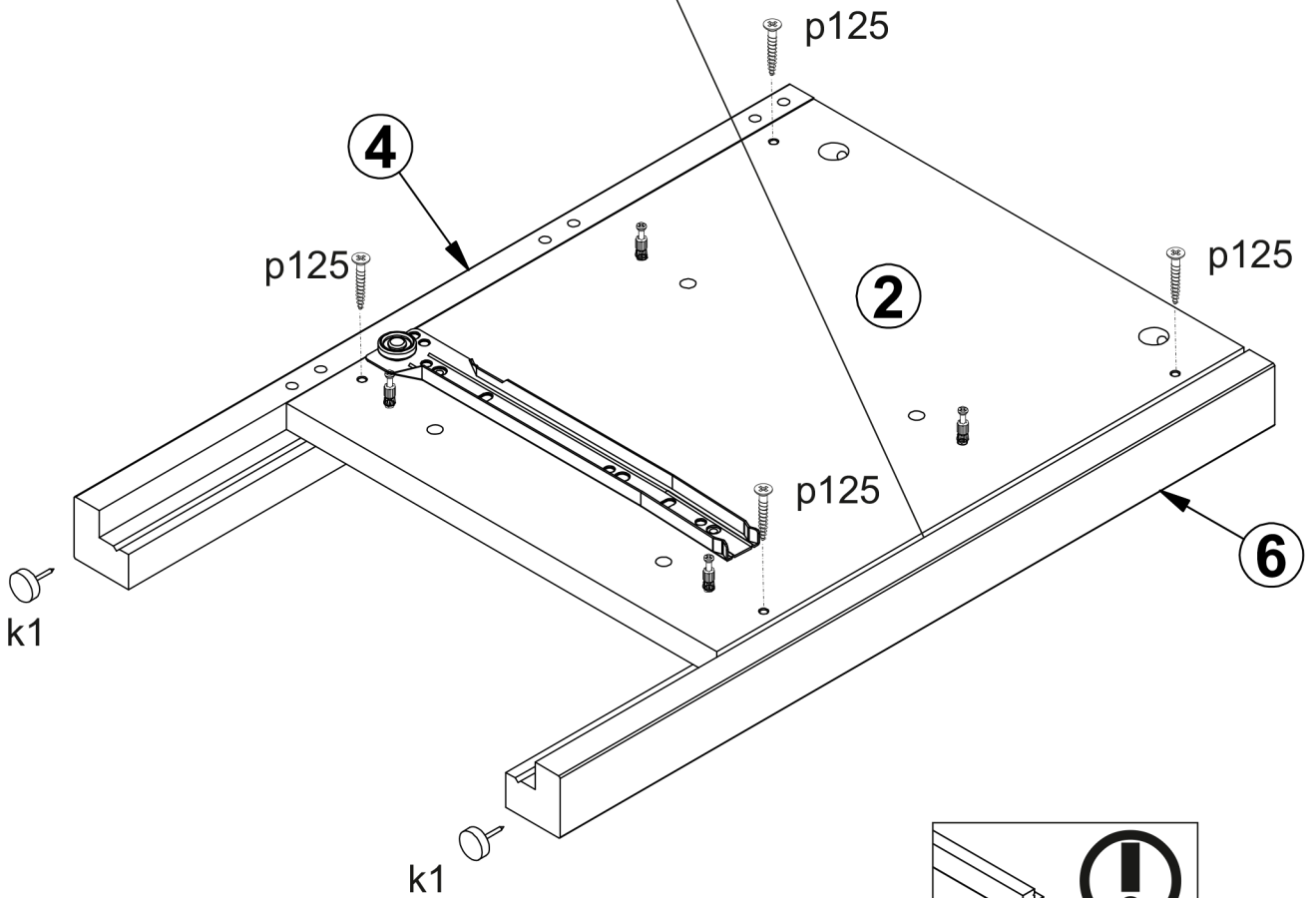
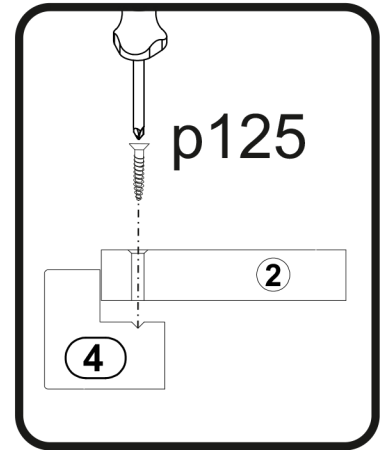
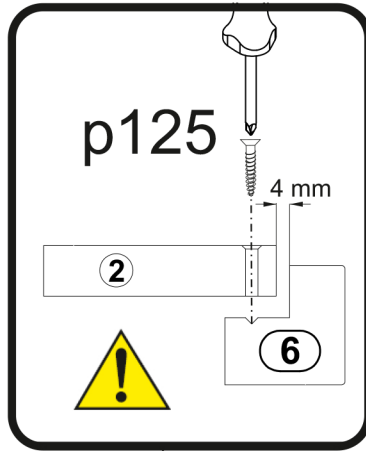
k1

4x

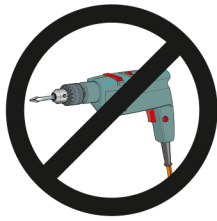


φ3x30 mm

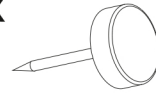
p125



5



2x



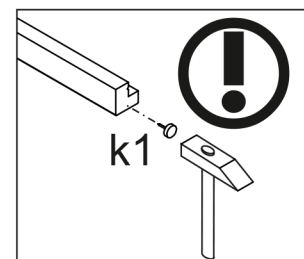
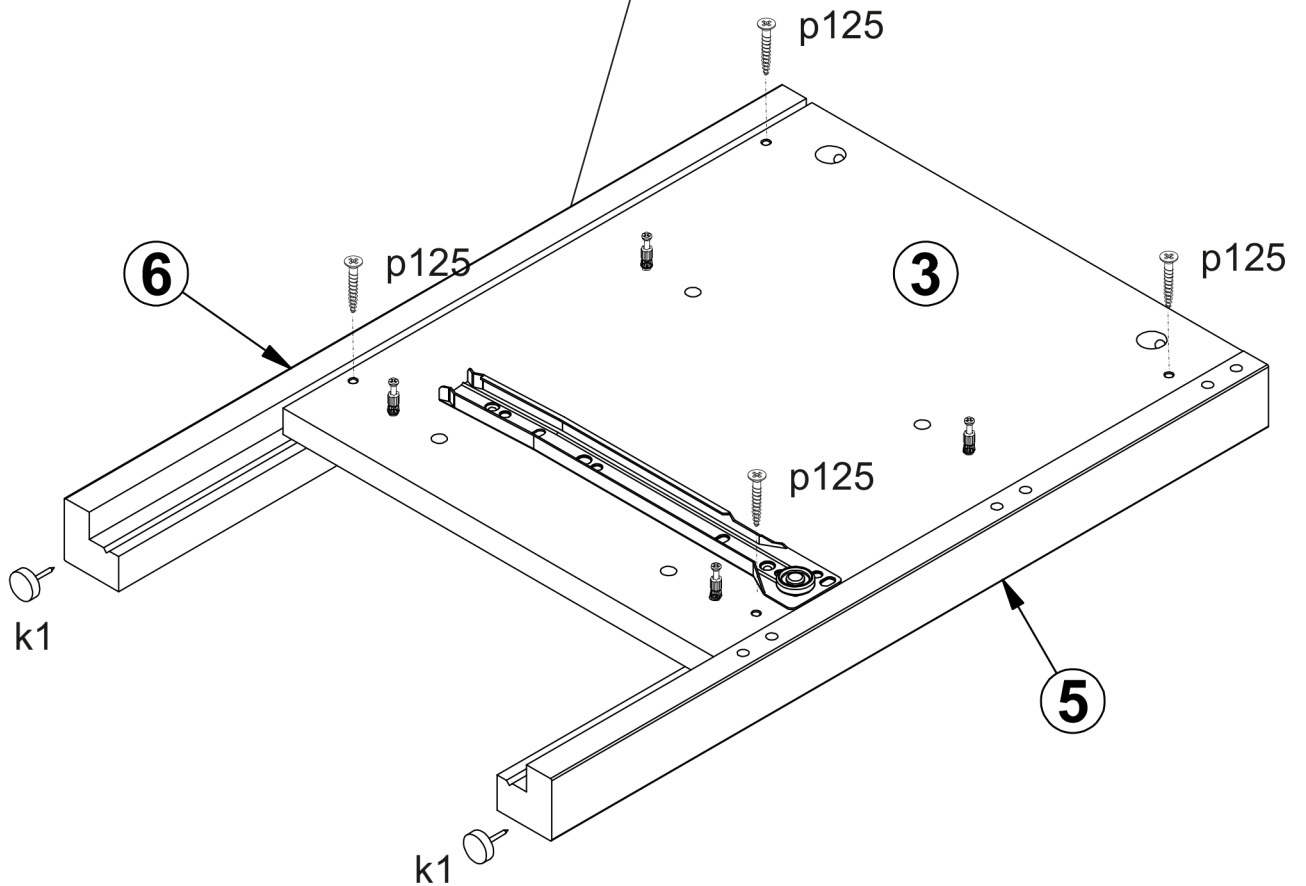
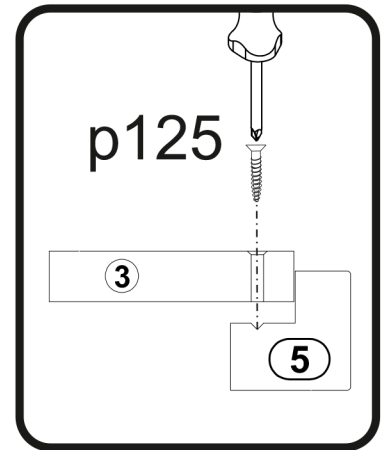
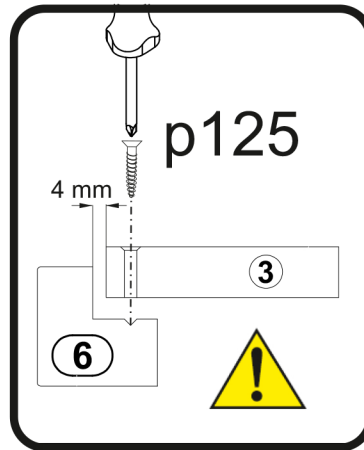
k1

4x

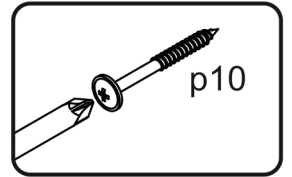
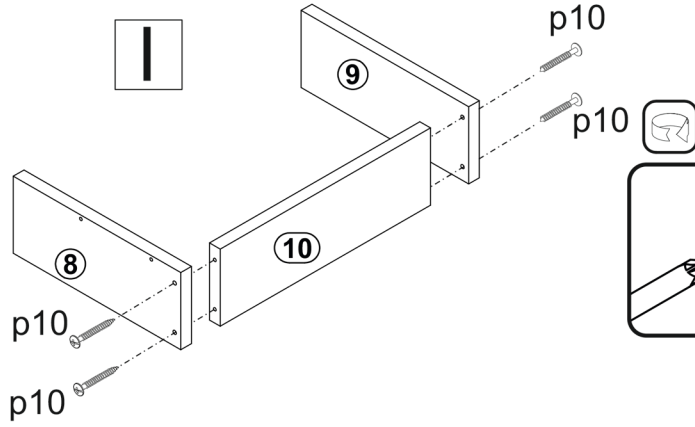
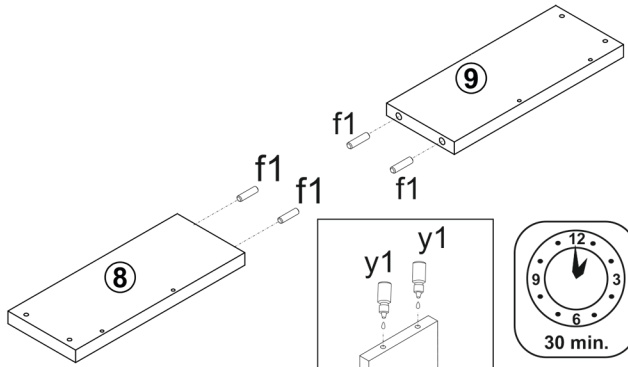
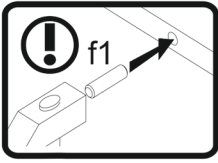
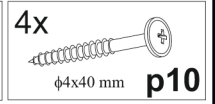
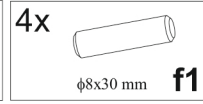
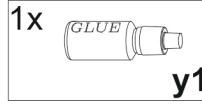


φ3x30 mm

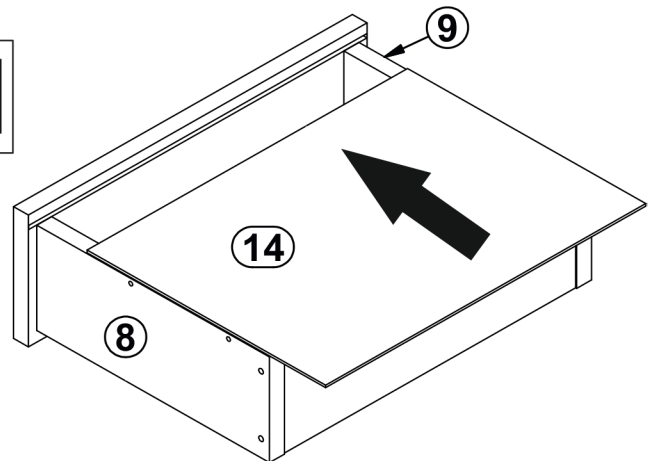
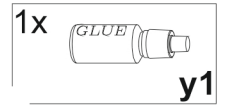
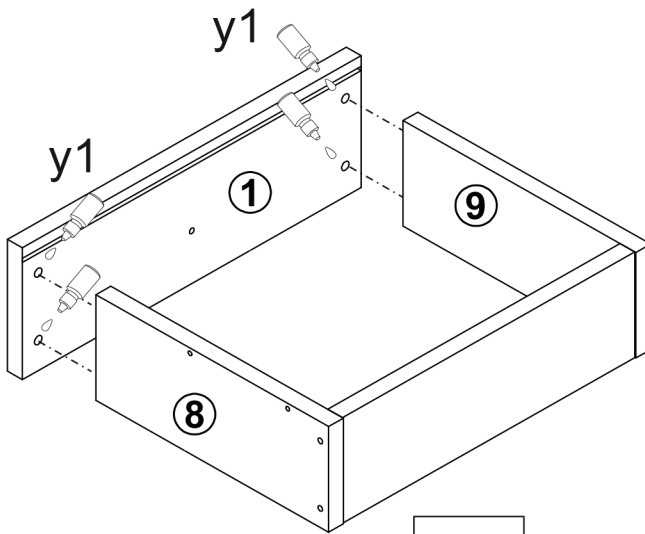
p125



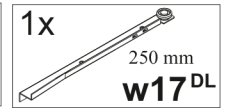
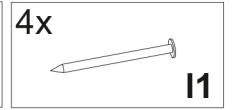
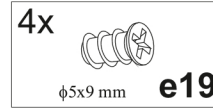
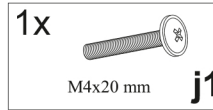
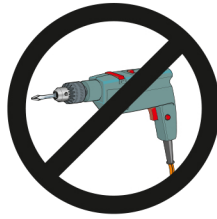
6



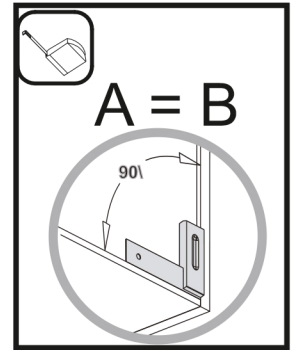
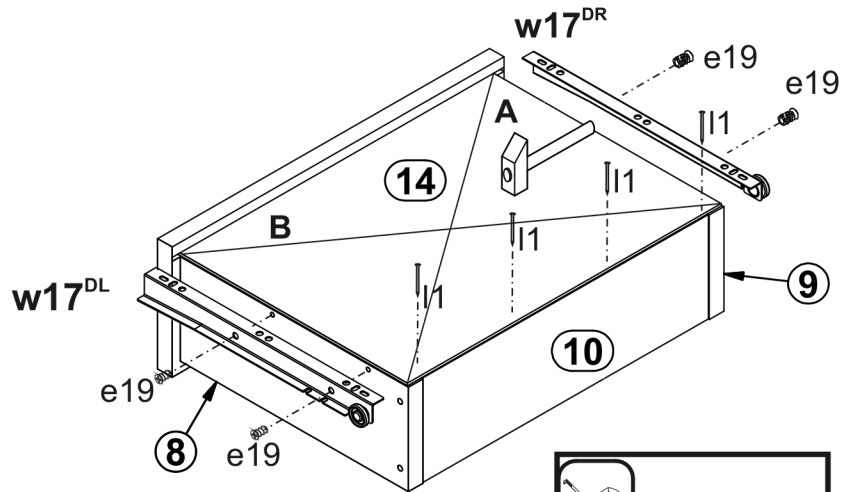
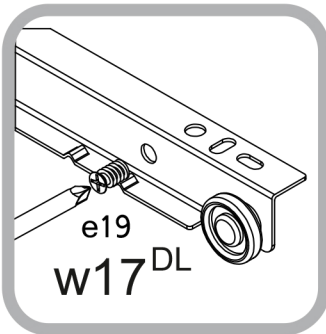
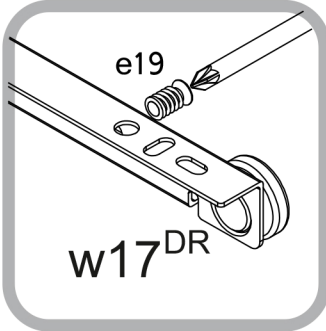
7



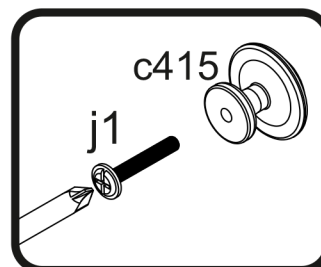
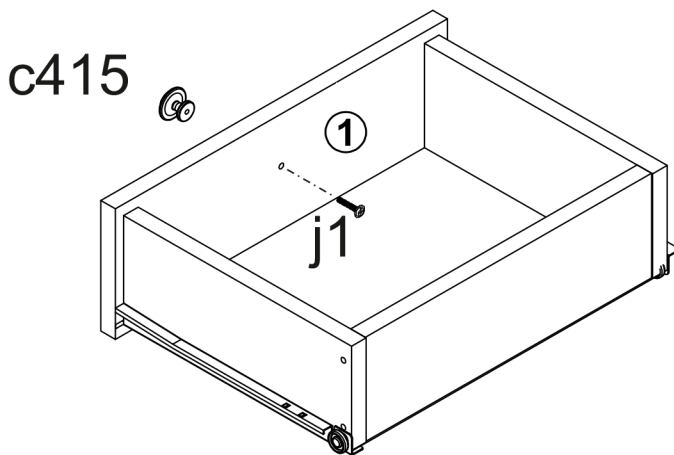
8



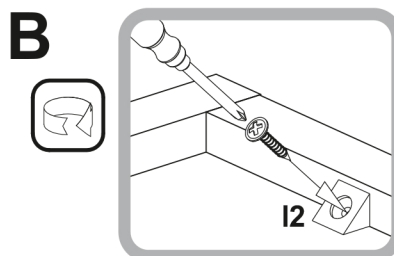
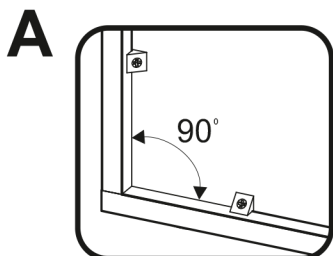
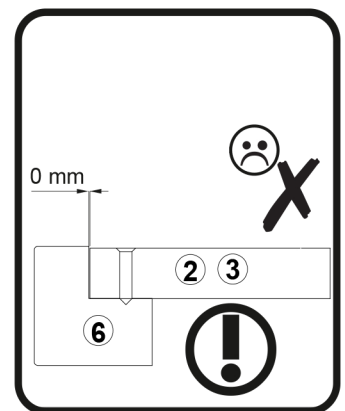
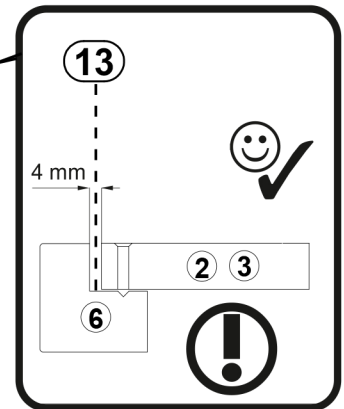
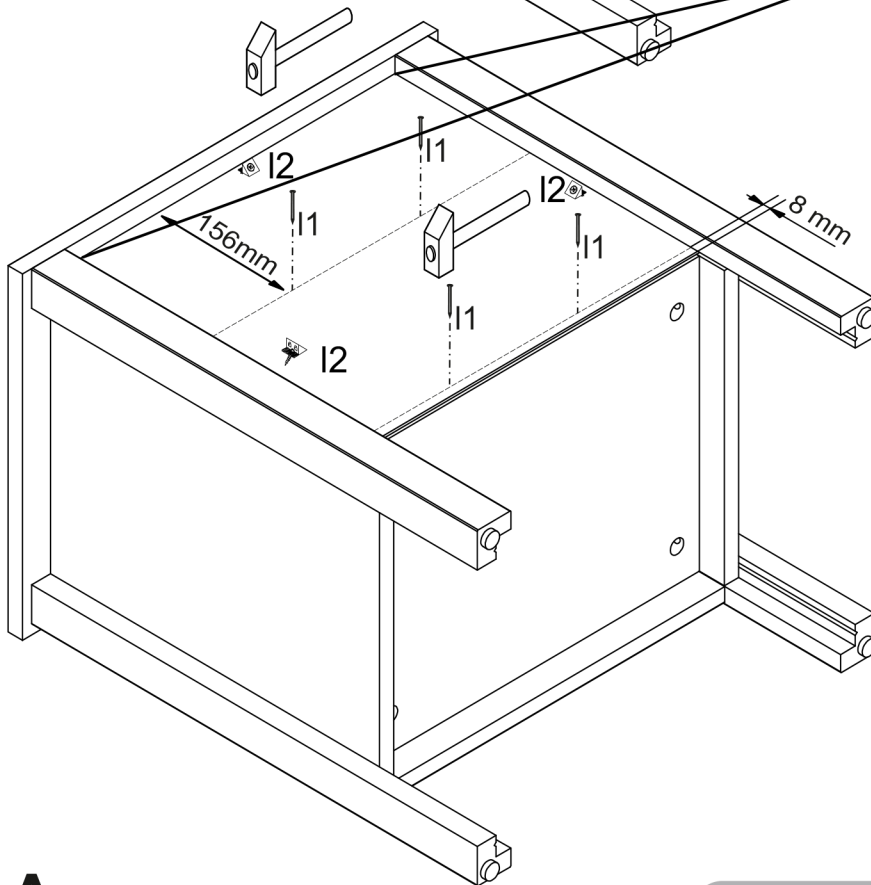
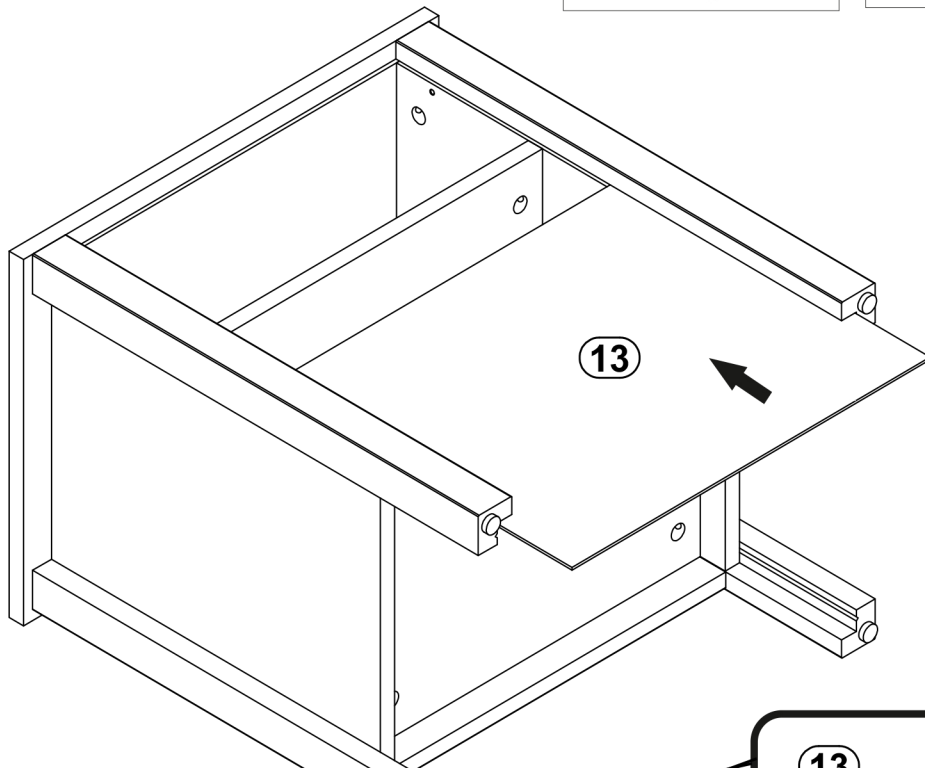
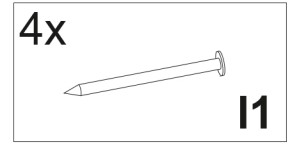
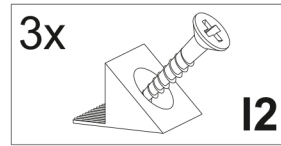
IV



V



11



12

