


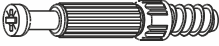





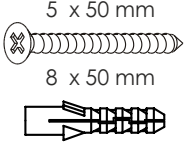

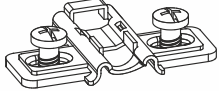
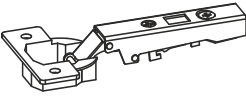


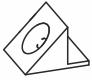
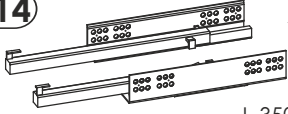
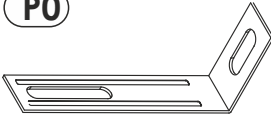
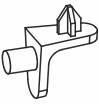

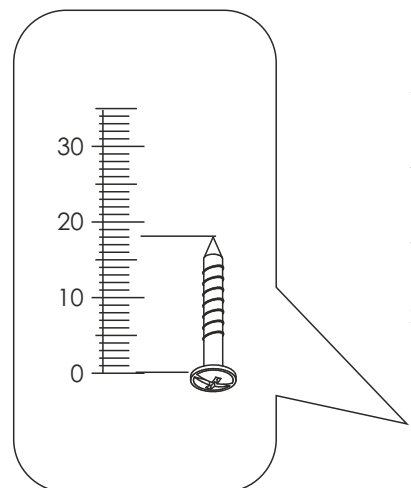
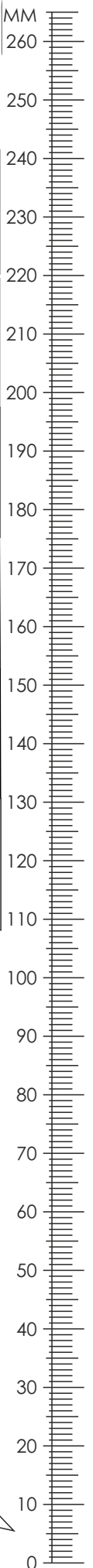
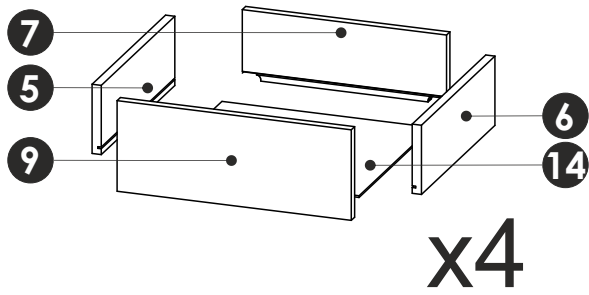
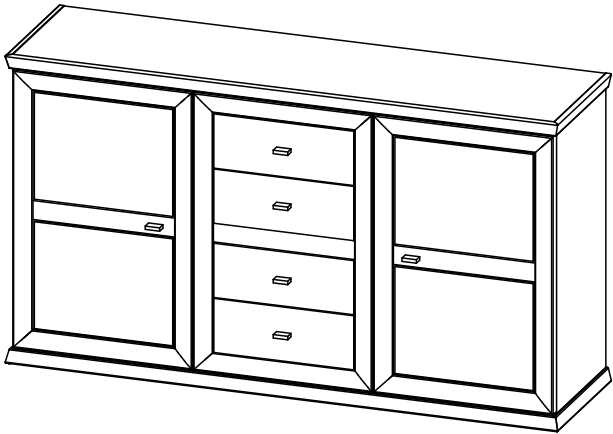

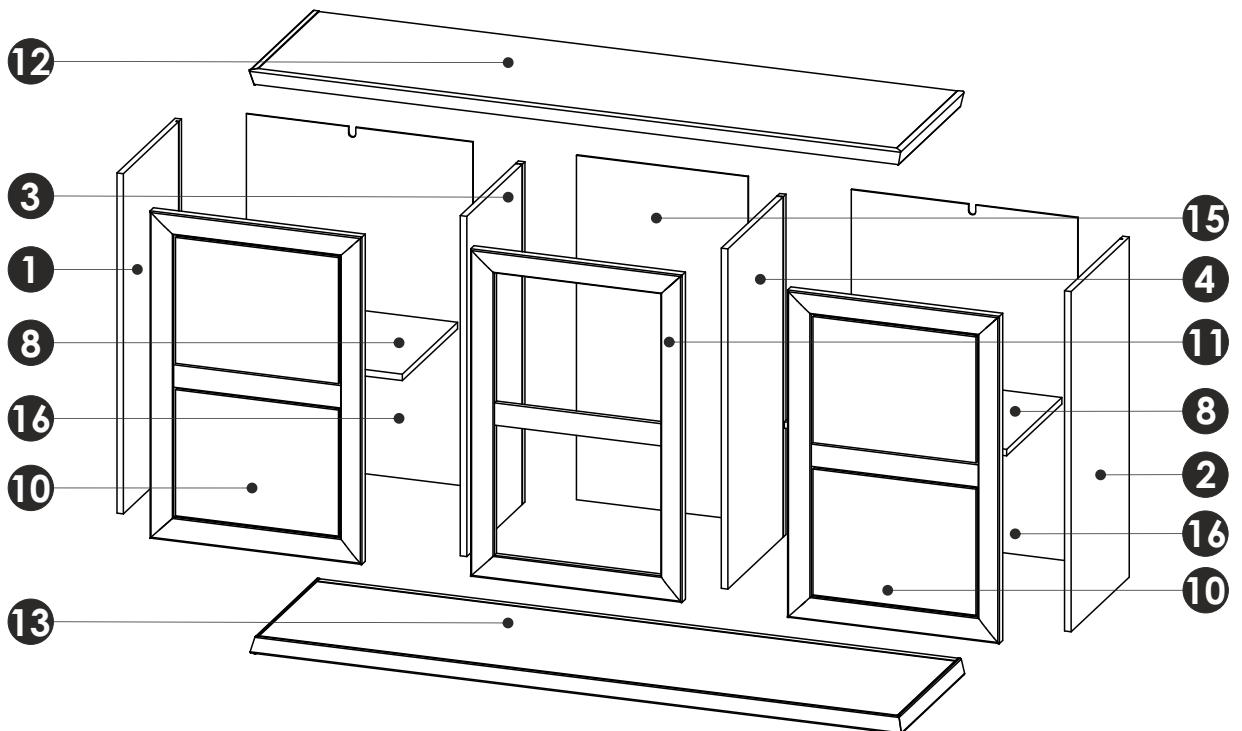


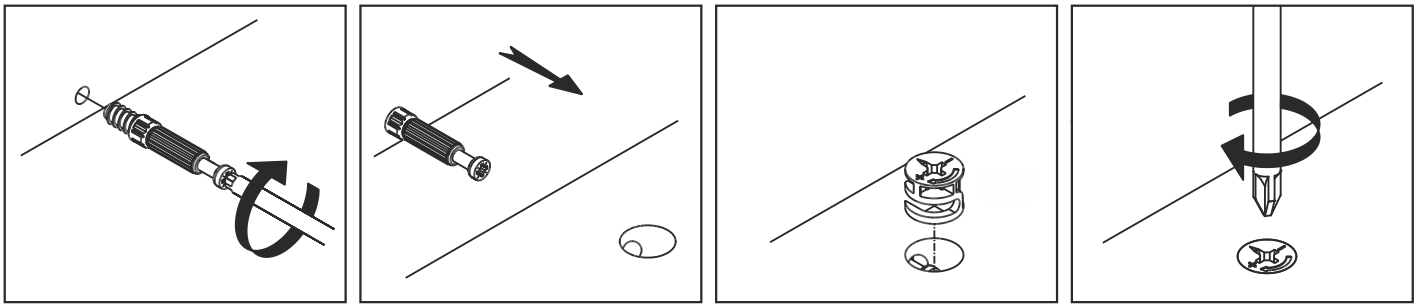
A0 8 x 30mm x40 	B1 f 7 x 50 mm x8 	C0 x36 
C2 x36 	C7 16mm x36 	D0 3 x 15 mm x46 
D10 4 x 16 mm x8 	D21 5 x 13 mm x2 	D31 6,3 x 13 mm x32 
E0 5 x 50 mm 8 x 50 mm x2 	H2 4 x 22 mm x12 	J3 x4 
J10 x4 	K 4mm x1 	L6 x6 
M1 x46 	N14 x4  L-350mm	P0 x2 
Q3 x8 	U2 x8 	



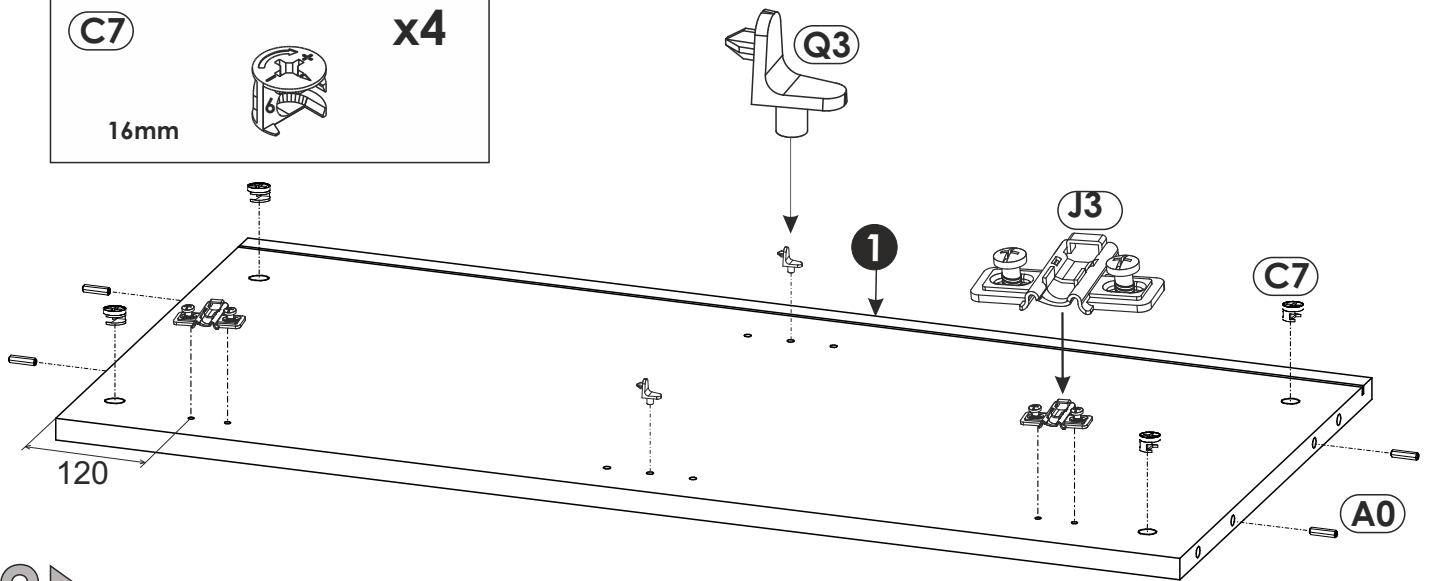
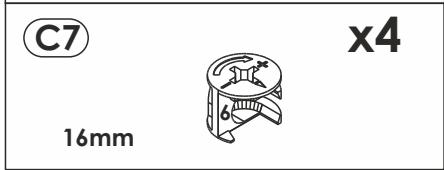
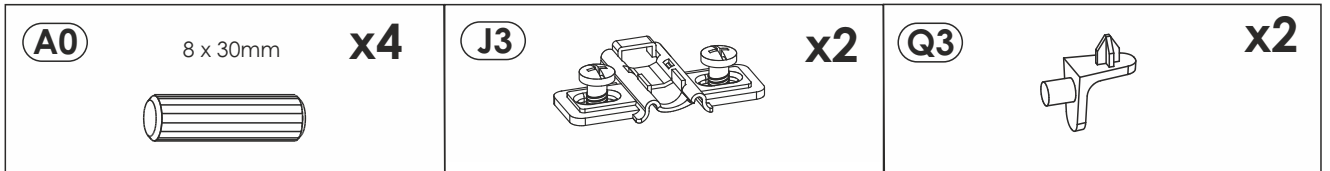


1	837	393	16	x1	1/3
2	837	393	16	x1	1/3
3	837	393	16	x1	1/3
4	837	393	16	x1	1/3
5	350	120	16	x4	1/3
6	350	120	16	x4	1/3
7	372	120	16	x4	1/3
8	547	373	16	x2	1/3
9	406	157	16	x4	2/3
10	805	521	25	x2	2/3
11	805	520	25	x1	2/3
12	1602	428	40	x1	3/3
13	1602	428	40	x1	3/3
14	382	344	2.8	x4	1/3
15	847	422	2.8	x1	2/3
16	557	847	2.8	x2	2/3
					1/3

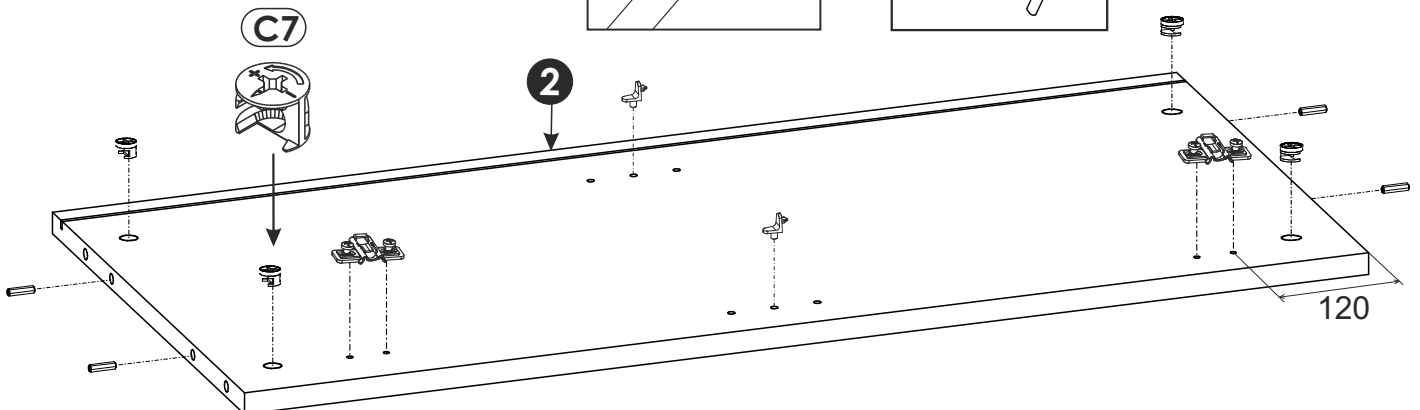
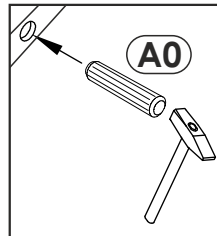
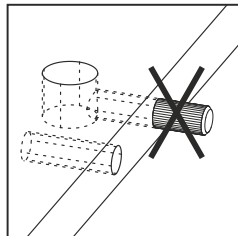
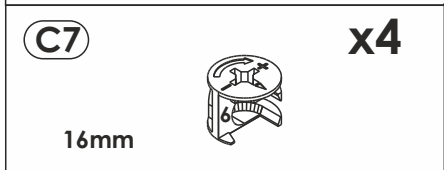
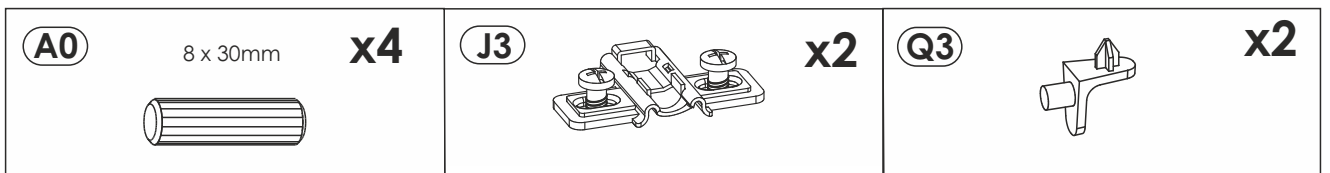




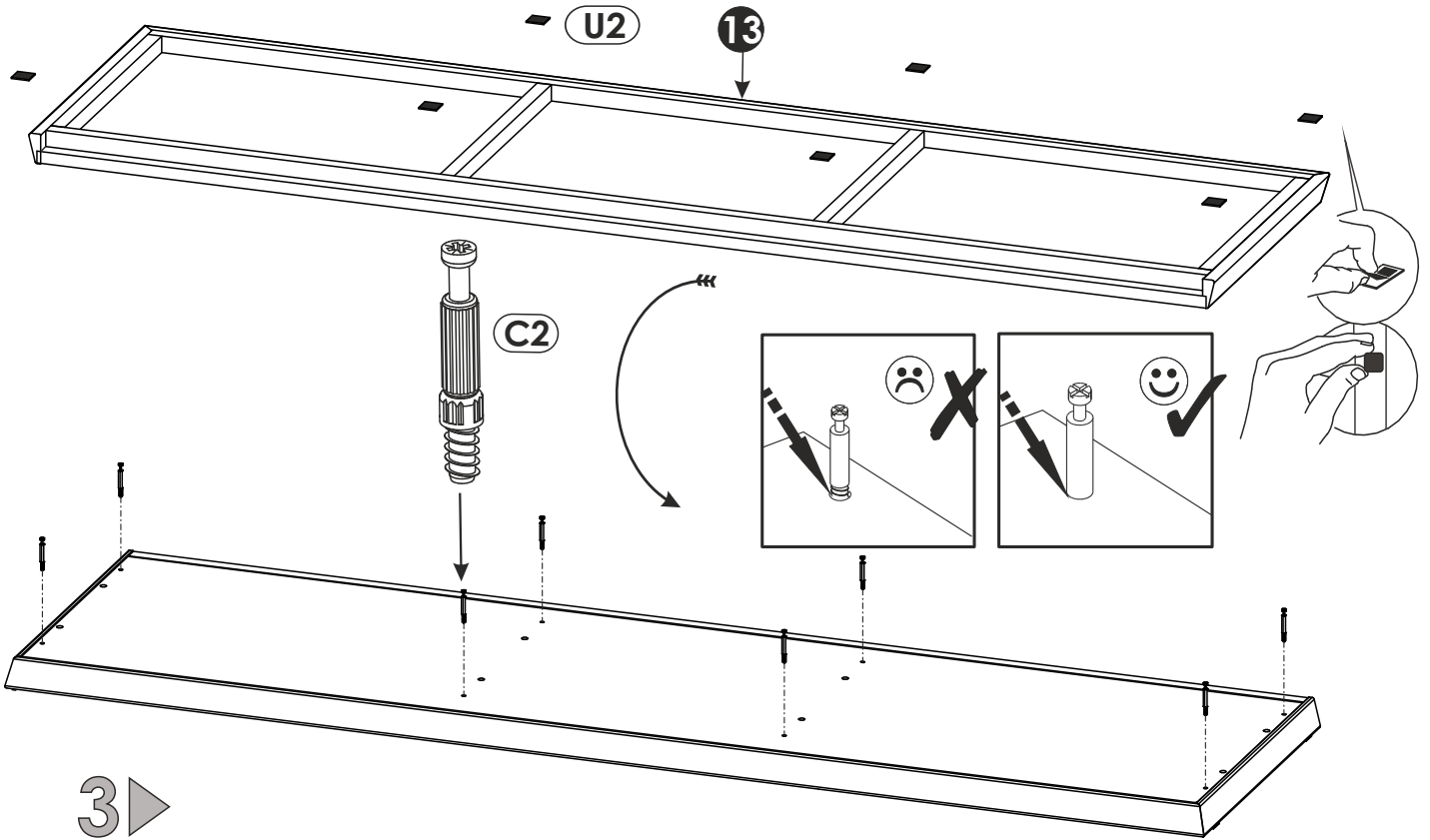
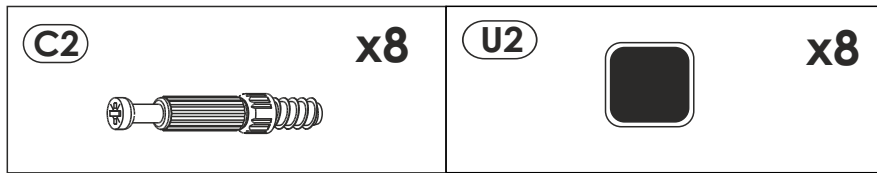
1 ▶



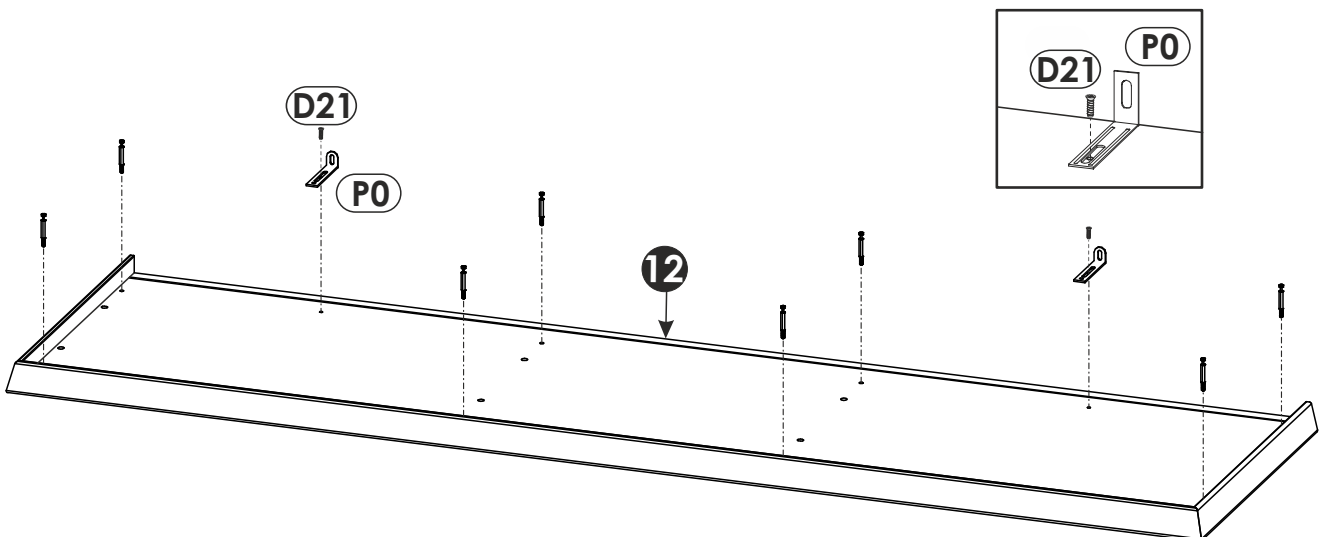
2 ▶






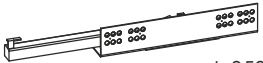
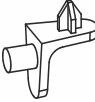
2 ▶

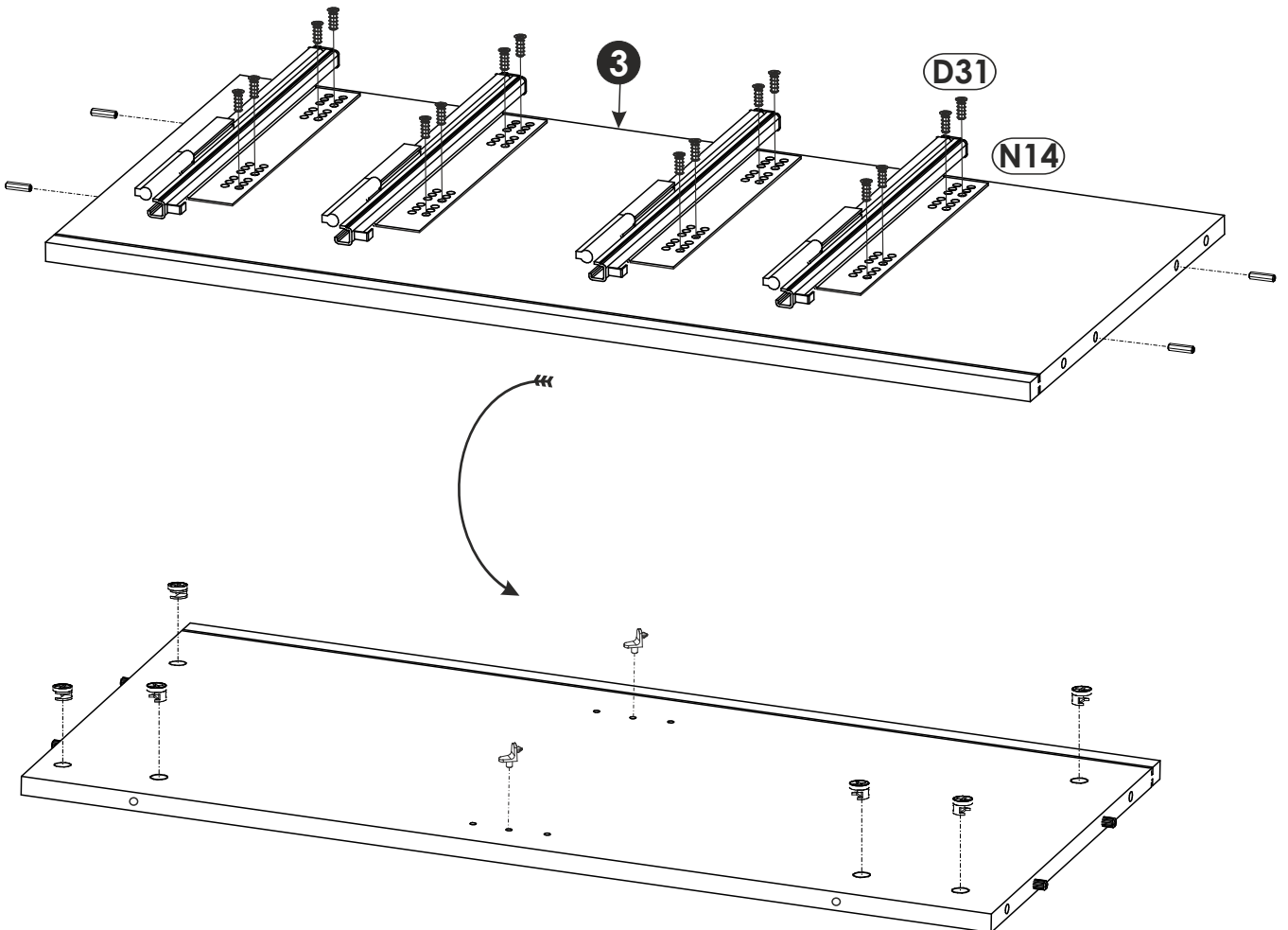
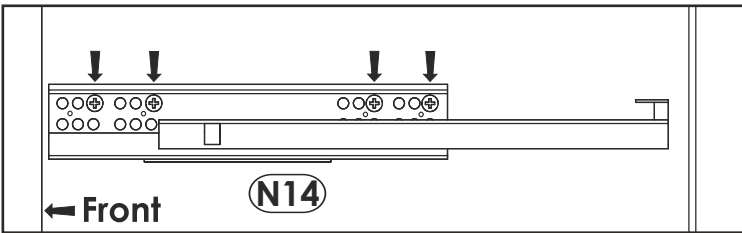


3 ▶




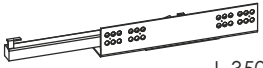
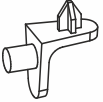


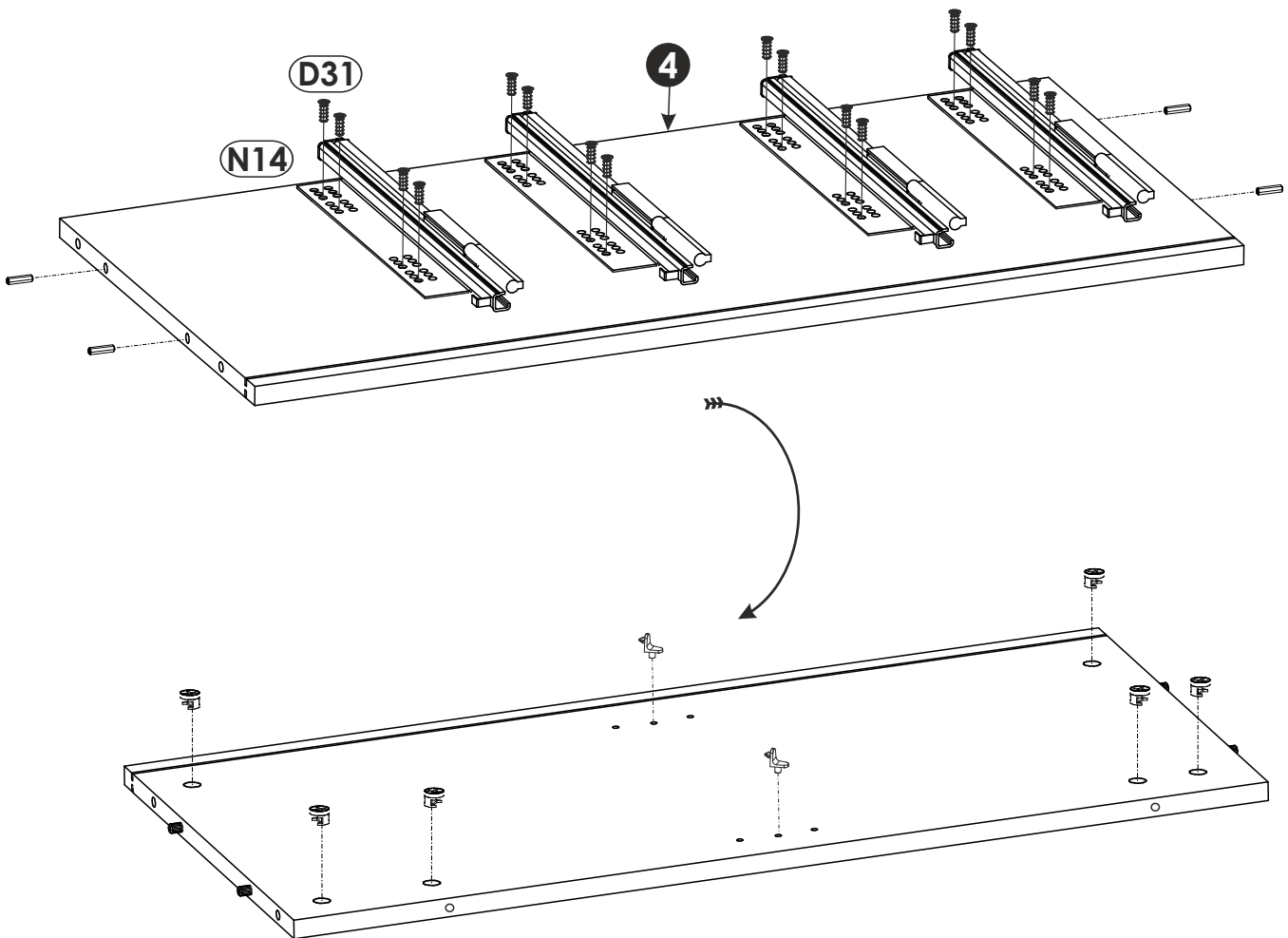
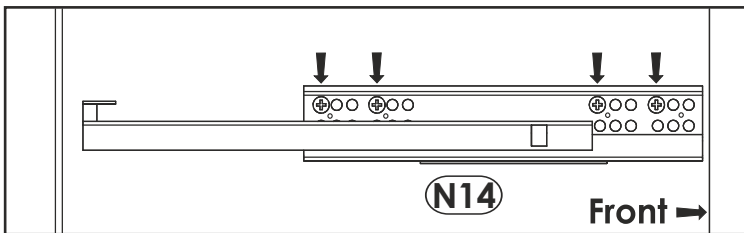
4 ▶

A0 8 x 30mm x4 	C7 16mm  x6	D31 6,3 x 13 mm  x16
N14  L-350mm x4	Q3  x2	

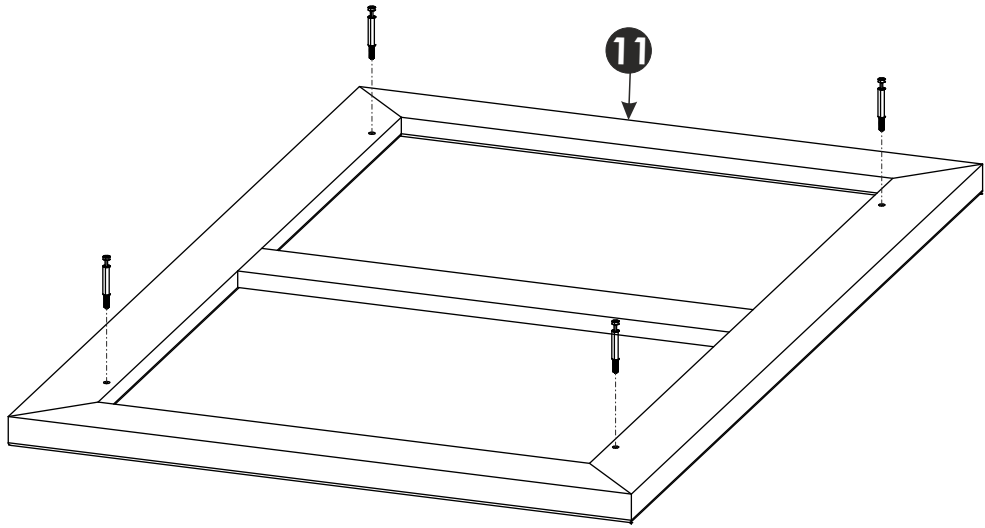
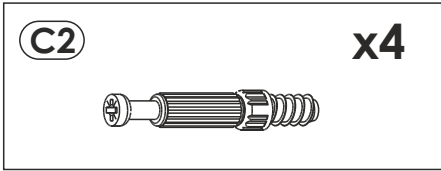


5 ▶

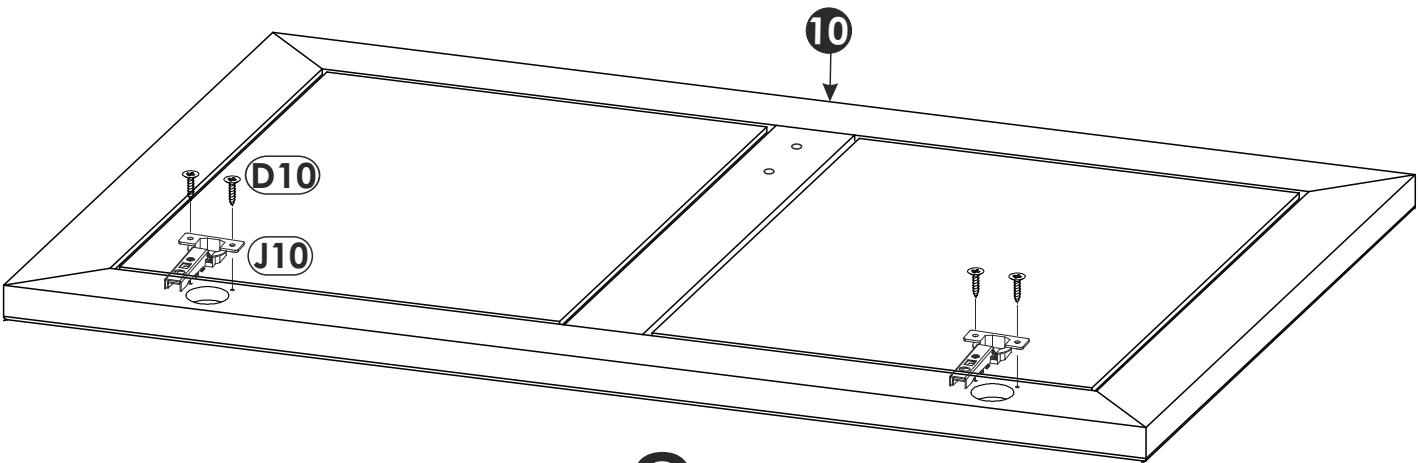
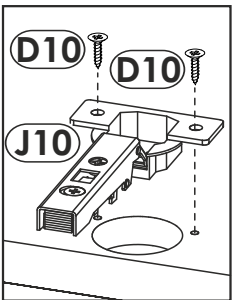
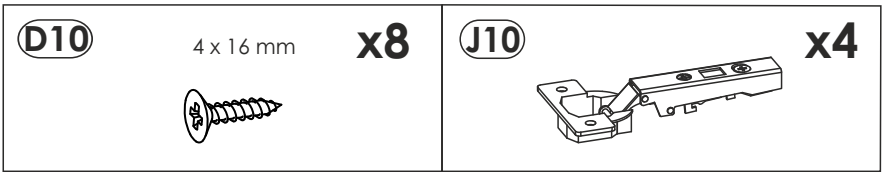
<p>A0 8 x 30mm x4</p> 	<p>C7 x6</p> <p>16mm</p> 	<p>D31 6,3 x 13 mm x16</p> 
<p>N14 x4</p> <p>L-350mm</p> 	<p>Q3 x2</p> 	



6 ▶

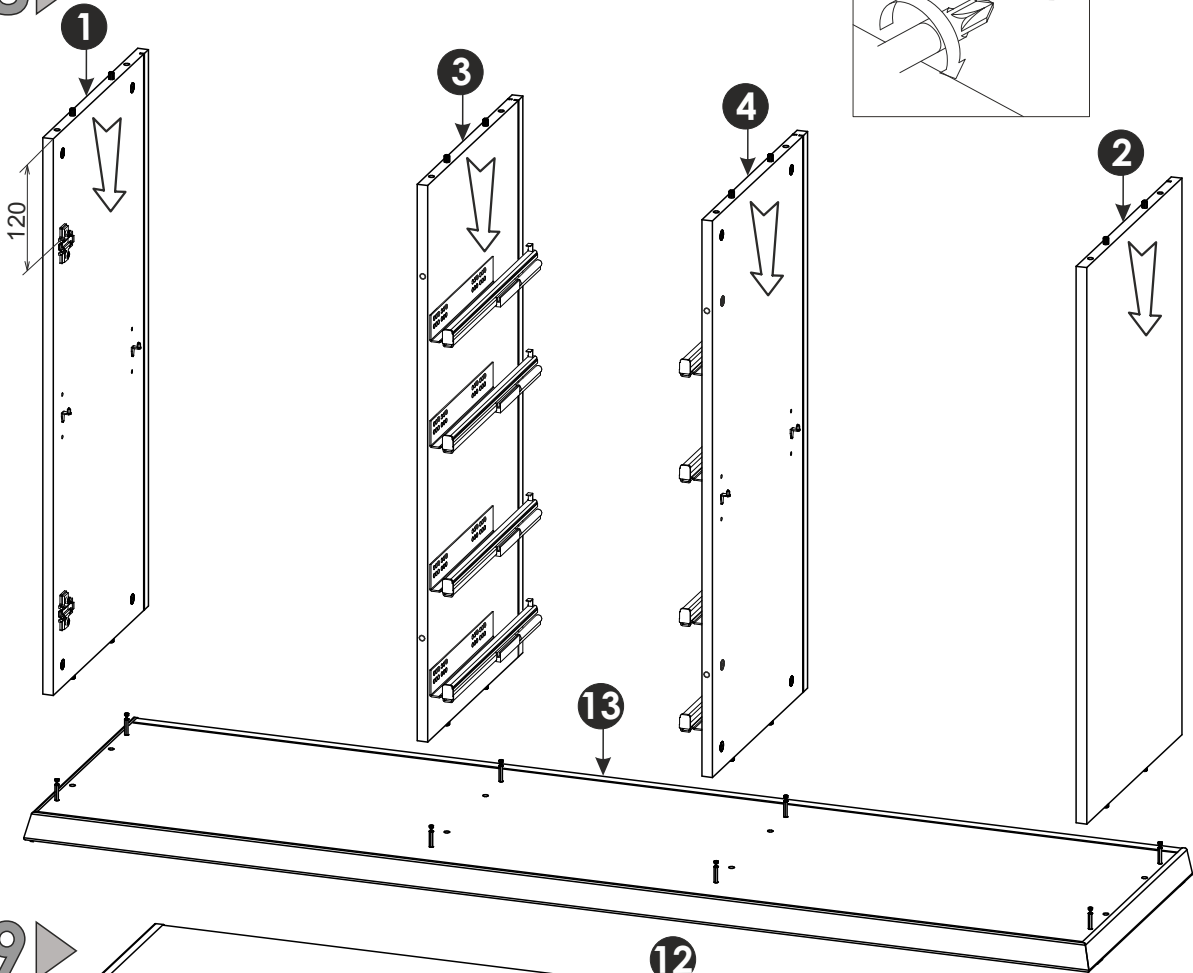


7 ▶

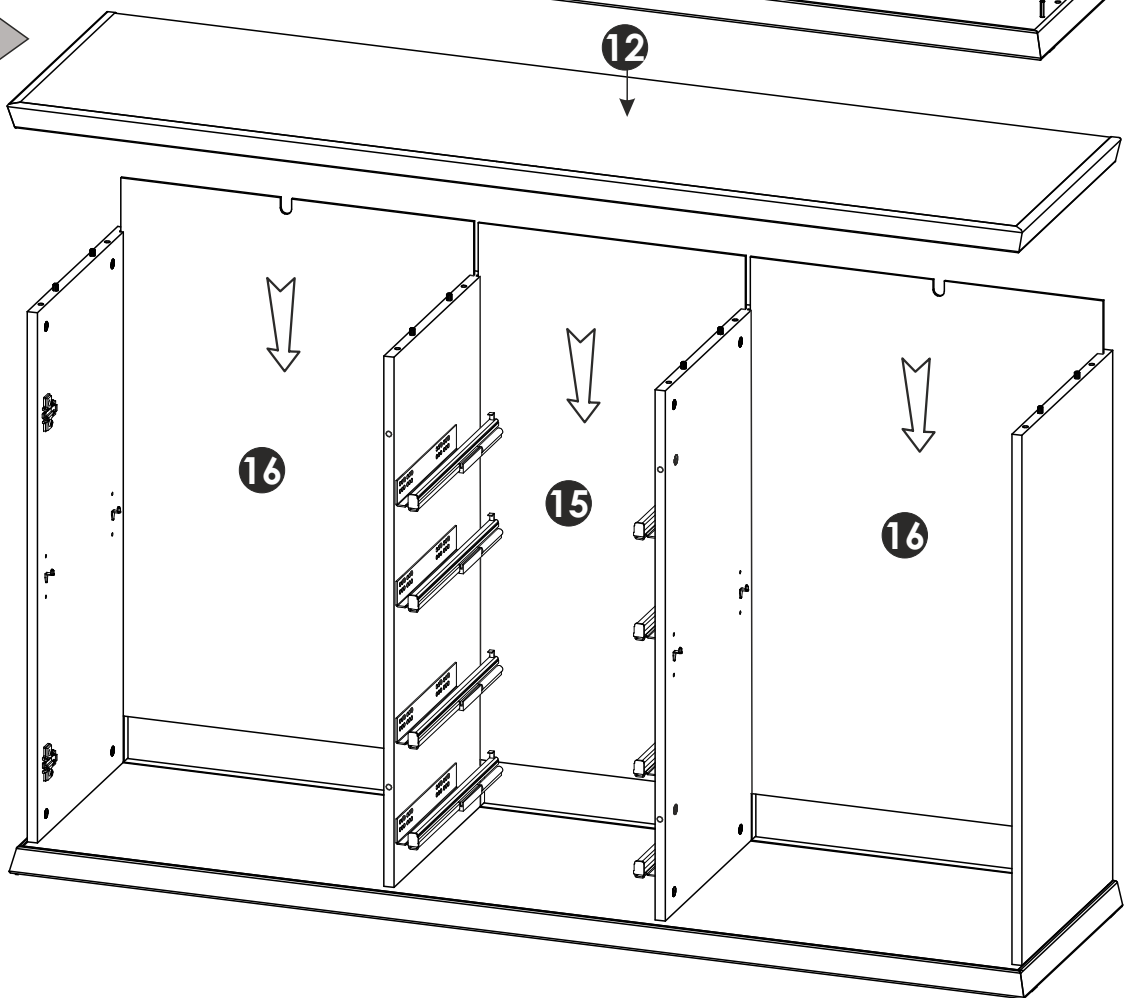


x2

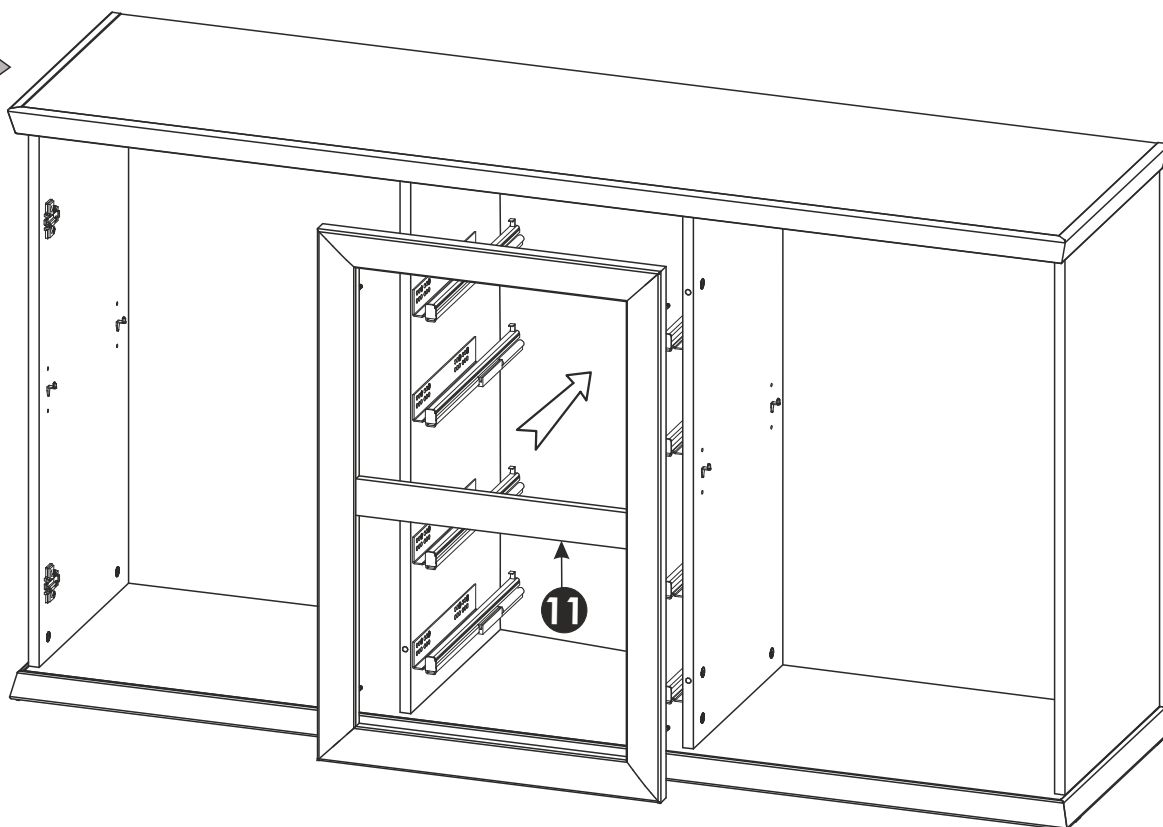
8 ▶





9 ▶

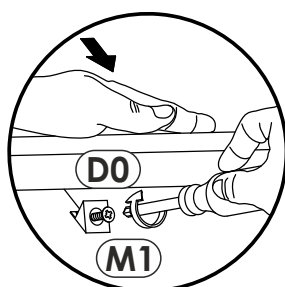
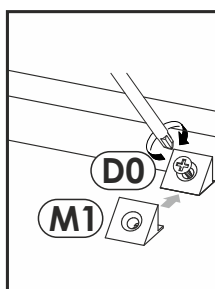
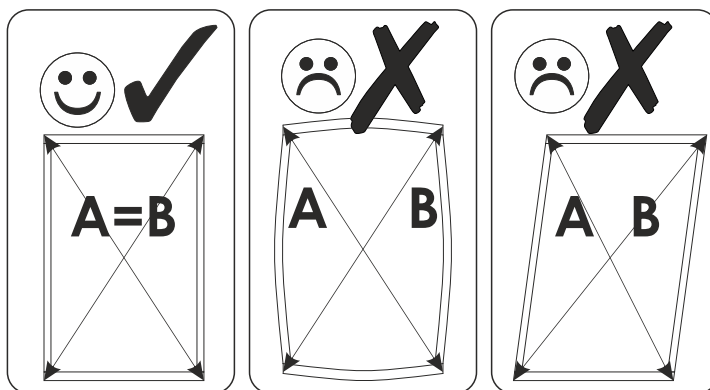


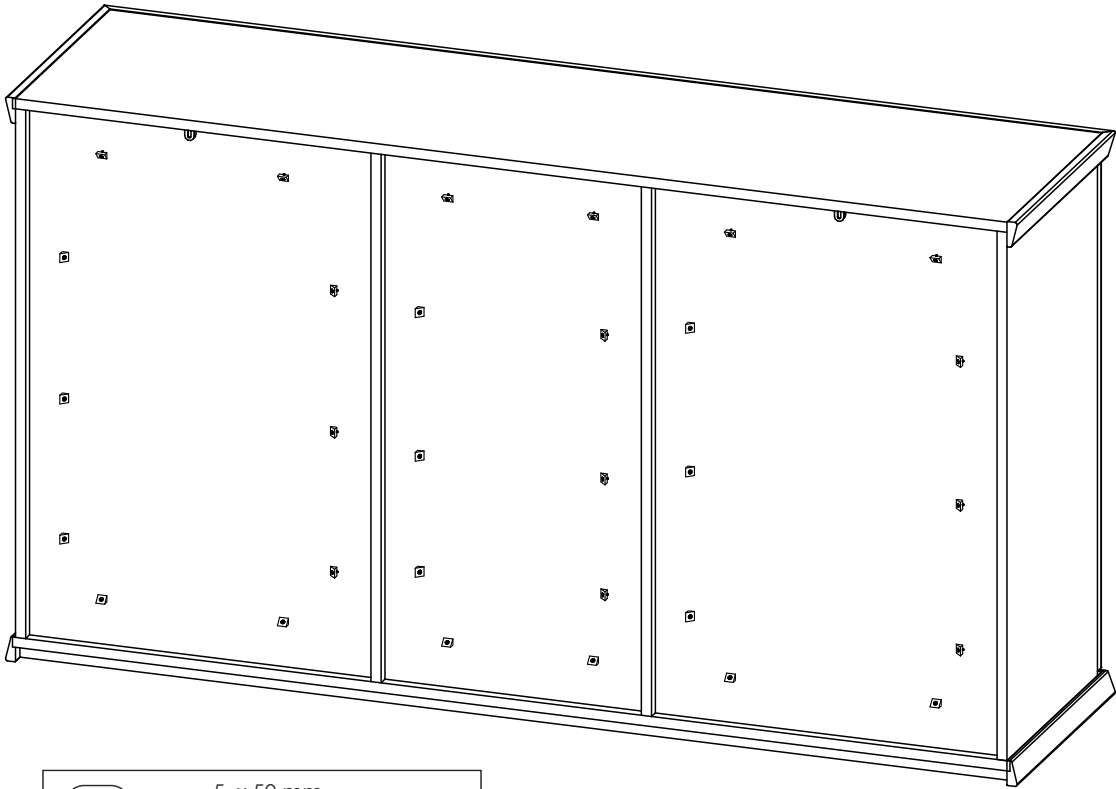
10 ▶



11 ▶

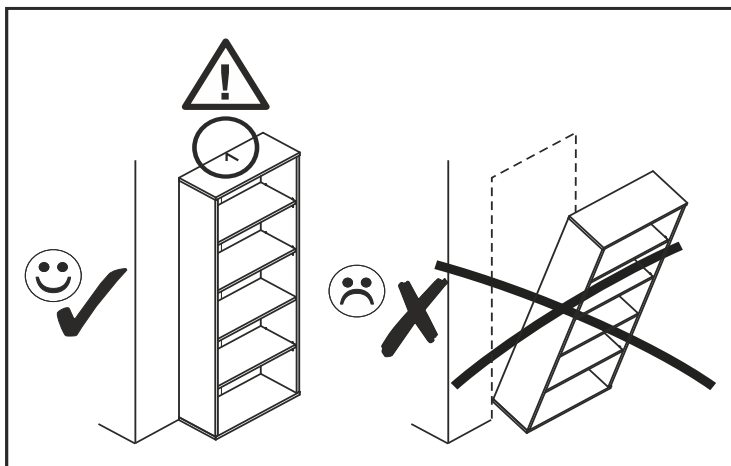
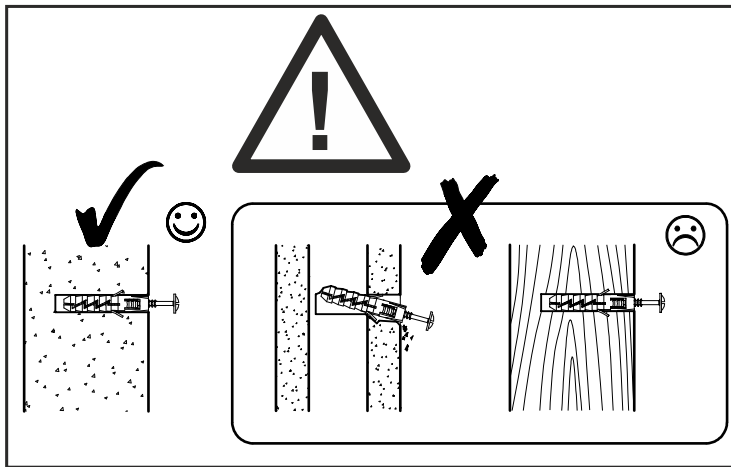
(D0) 3 x 15 mm x30	(M1) x30
	

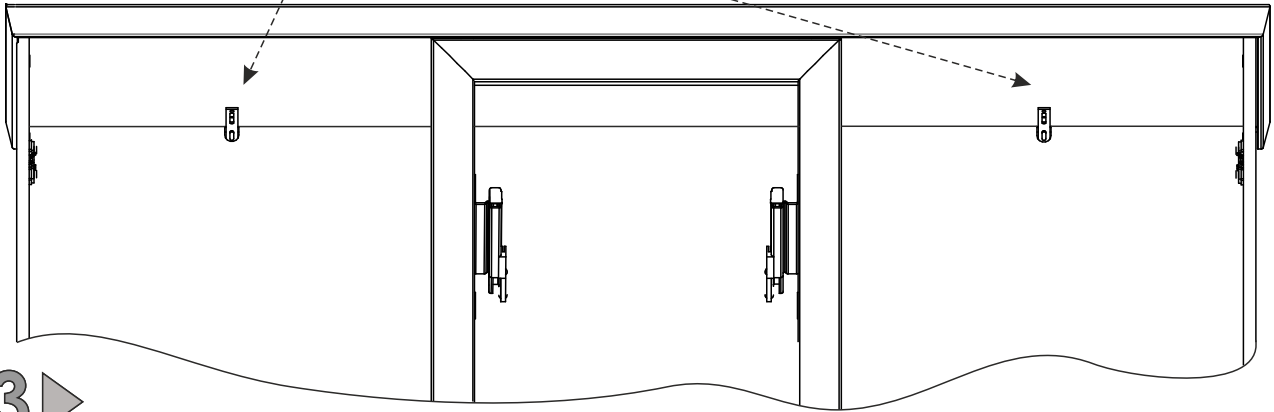
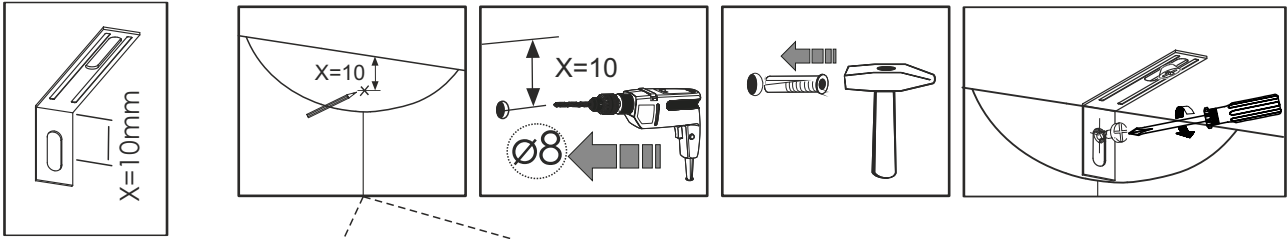




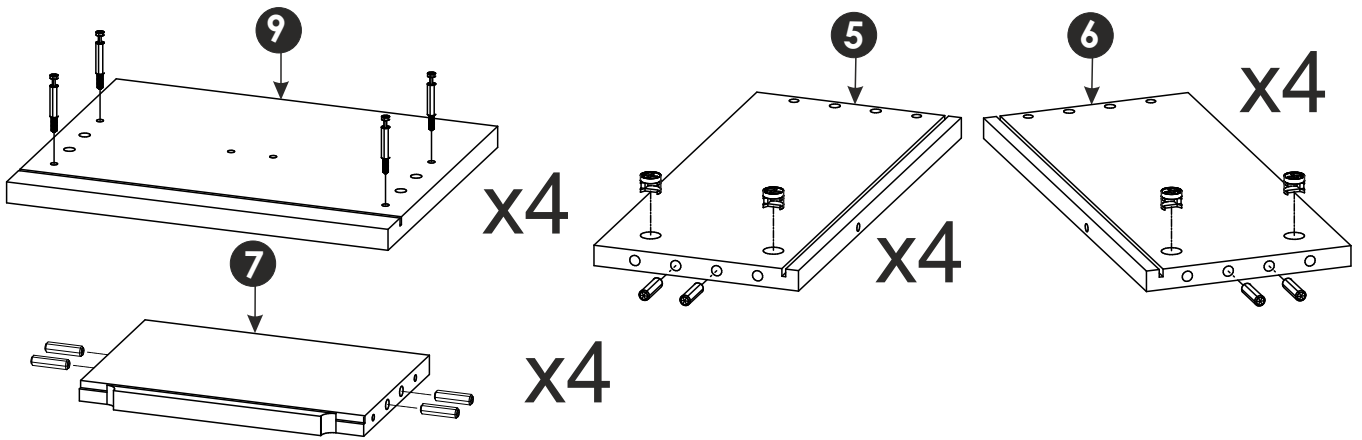
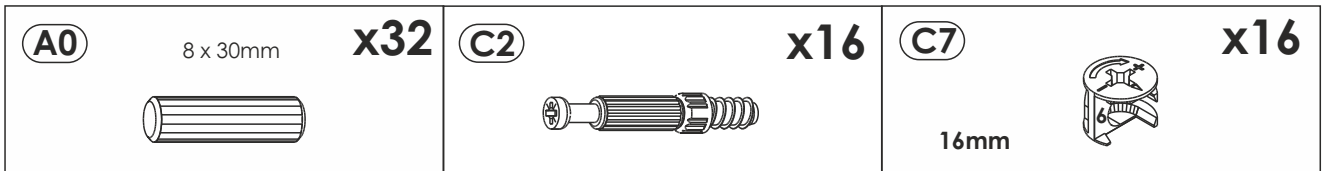
12 ▶

E0 5 x 50 mm **x2**
8 x 50 mm

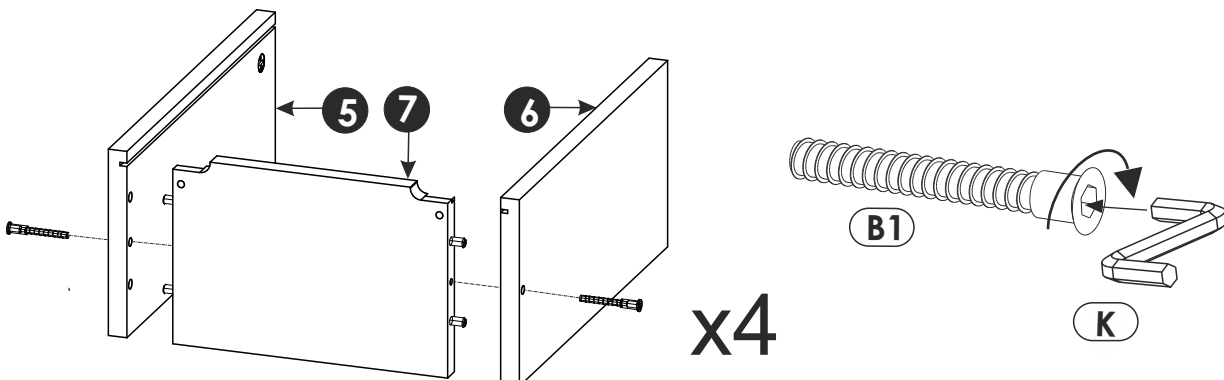
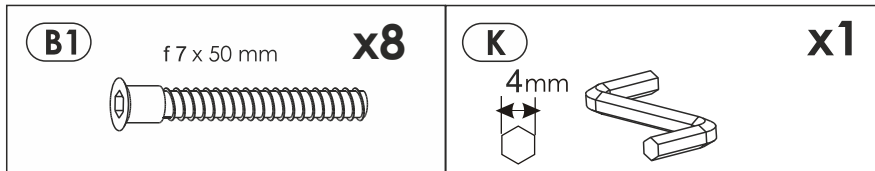




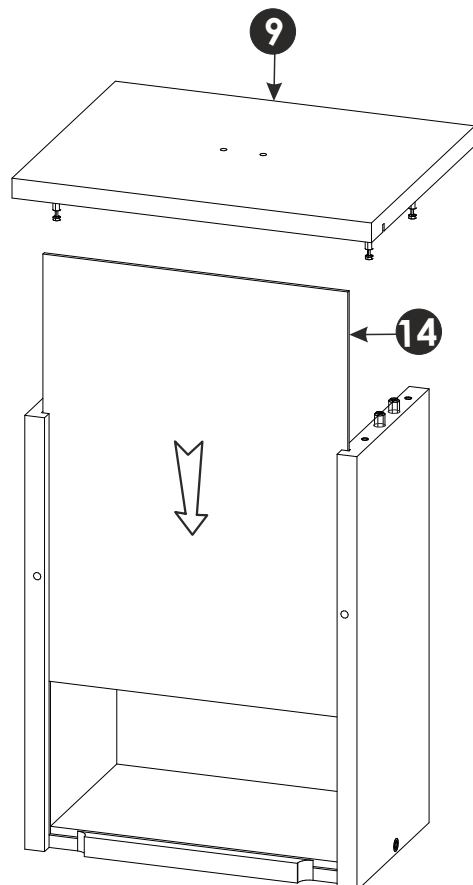
13 ▶



14 ▶





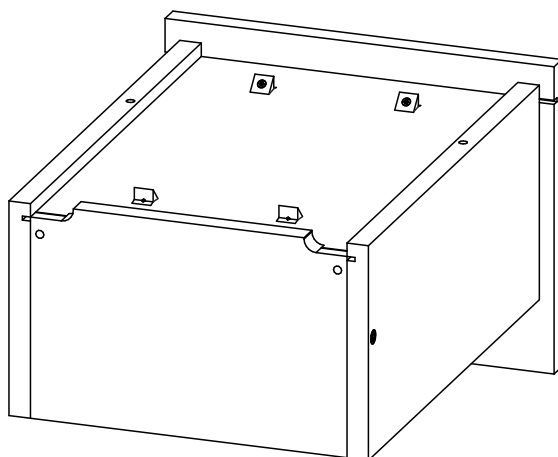
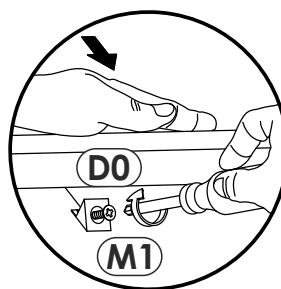
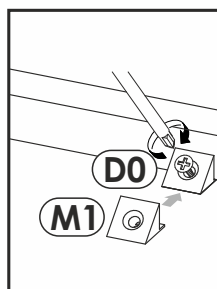
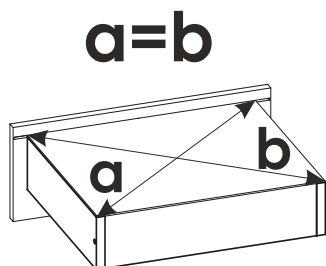
15 ▶



x4

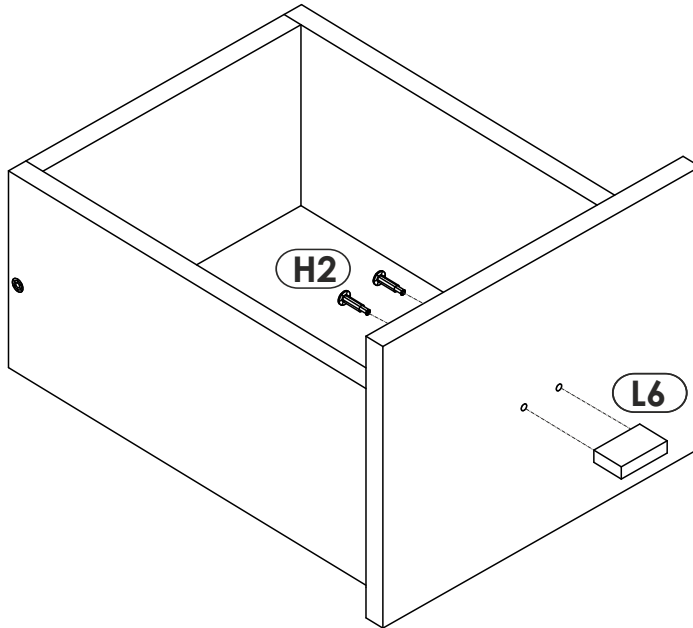
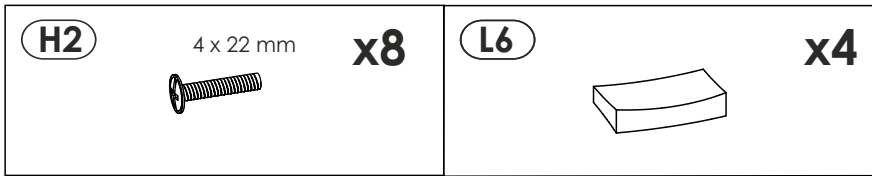
16 ▶

(D0) 3 x 15 mm 	x16	(M1) 	x16
---	------------	--	------------



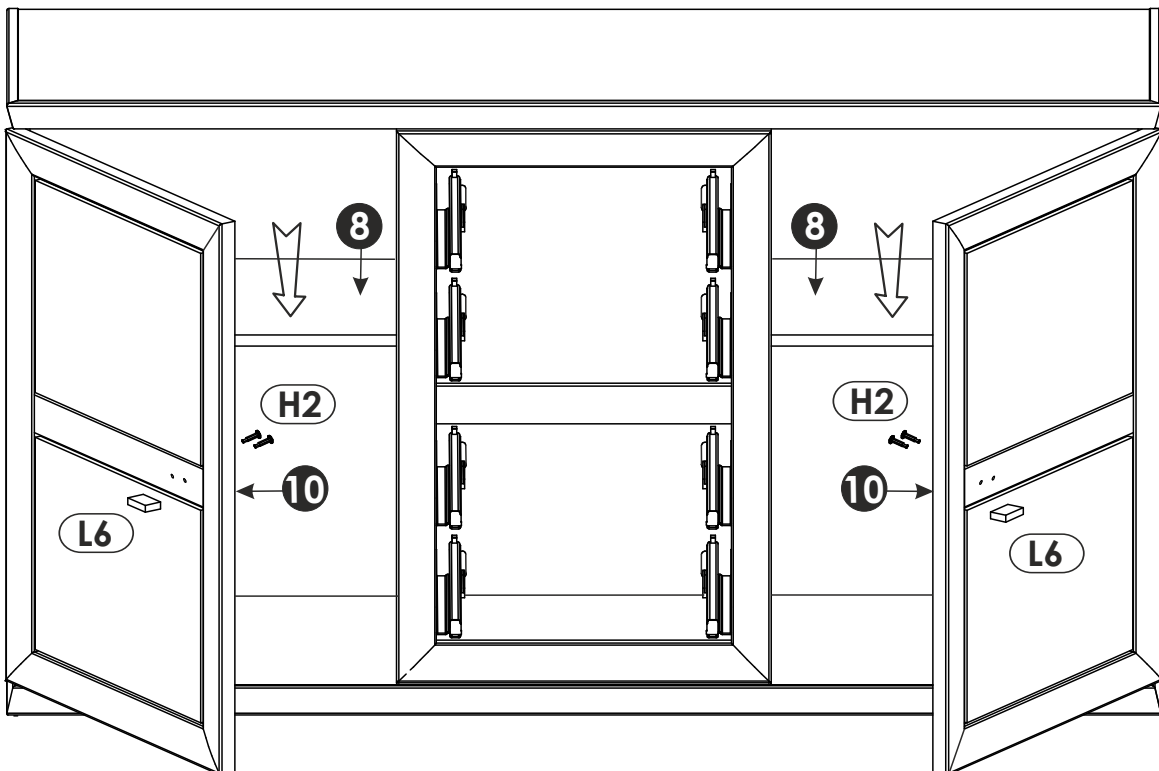
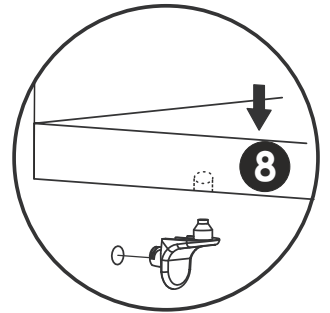
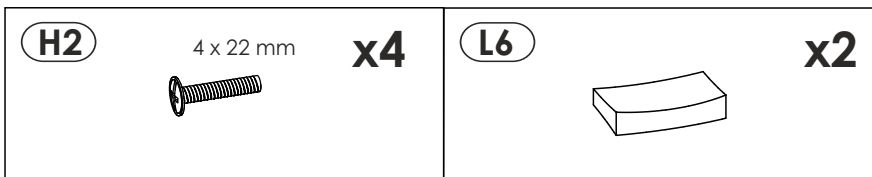
x4

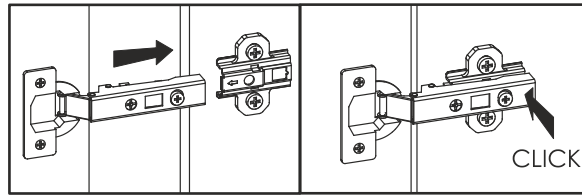
17 ▶



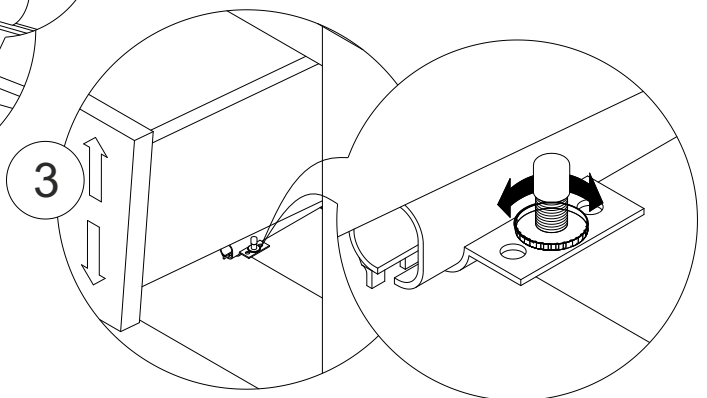
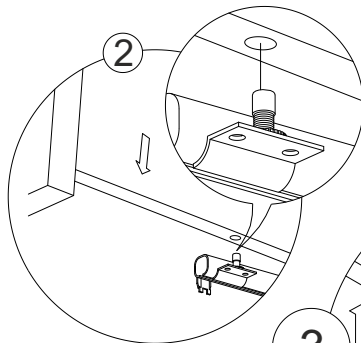
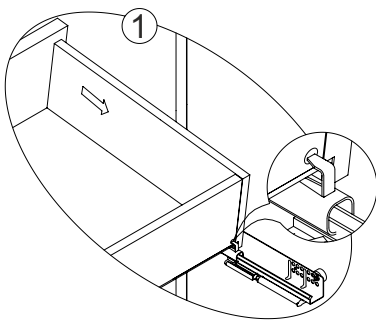
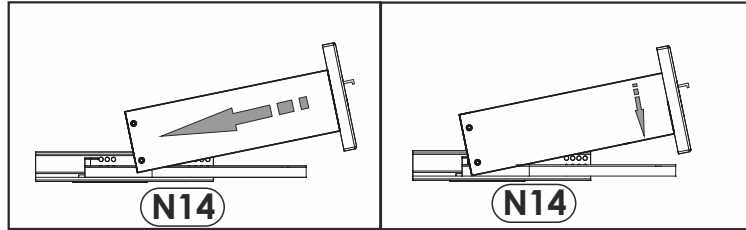
x4

18 ▶





19 ▶



20 ▶

