







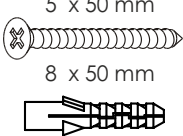




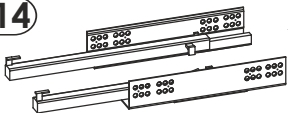
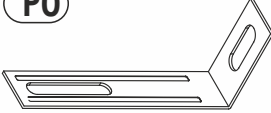

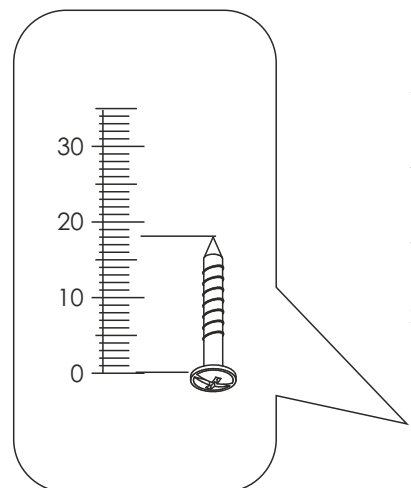
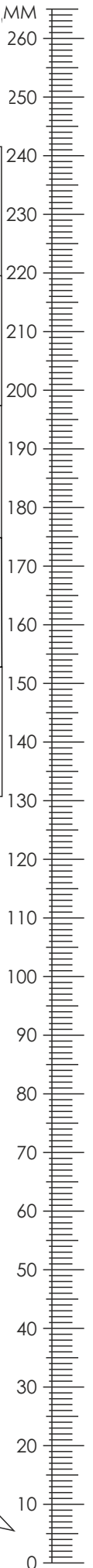
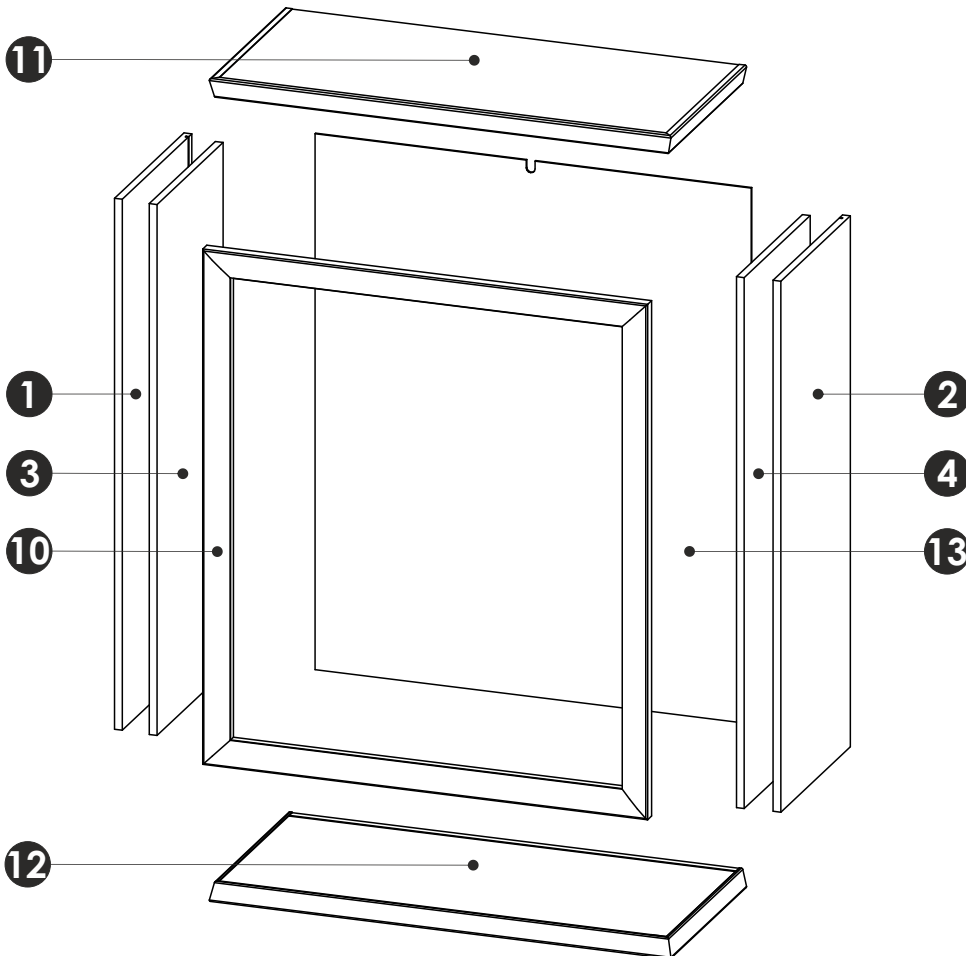
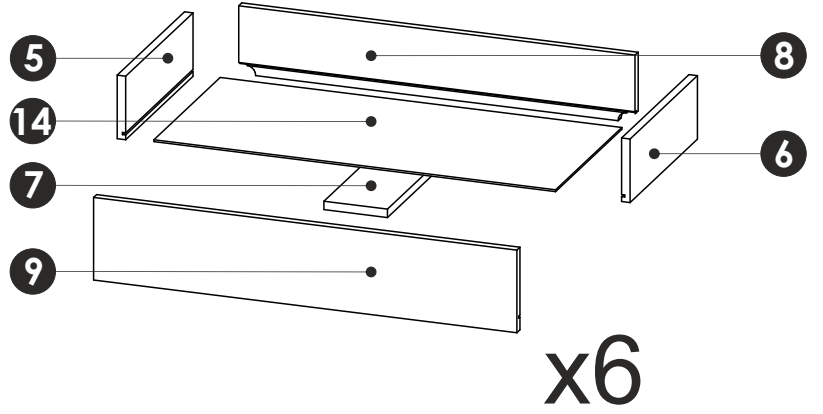
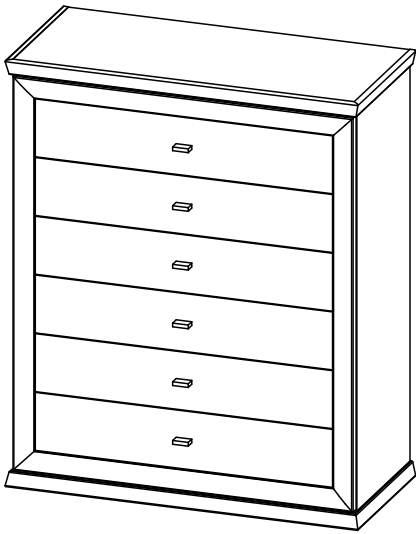

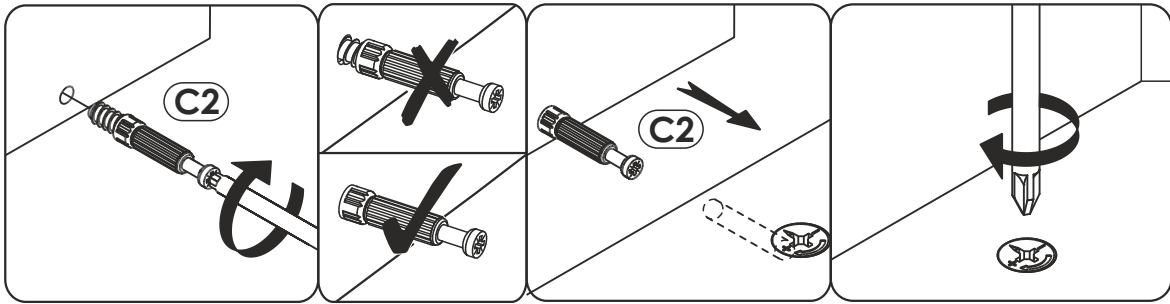


A0 8 x 30mm x76 	B1 f 7 x 50 mm x18 	C0 x24 
C2 x50 	C7 16mm x50 	D0 3 x 15 mm x16 
D21 5 x 13 mm x1 	D31 6,3 x 13 mm x48 	E0 5 x 50 mm 8 x 50 mm x1 
H2 4 x 22 mm x12 	K 4mm x1 	L6 x6 
M1 x16 	N14 x6 L-350mm 	P0 x1 
U2 x4 		






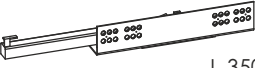


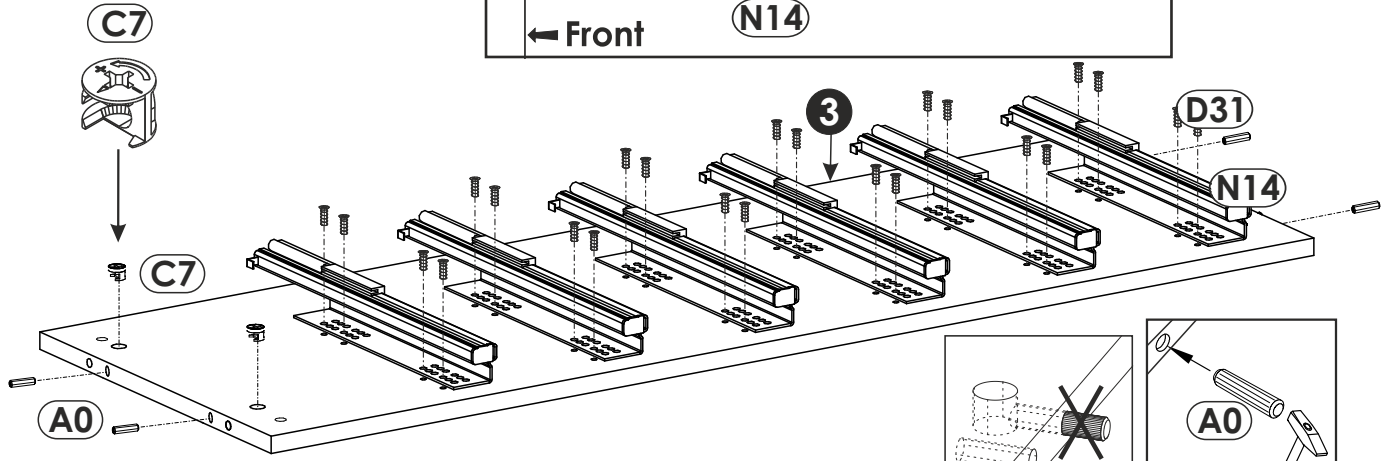
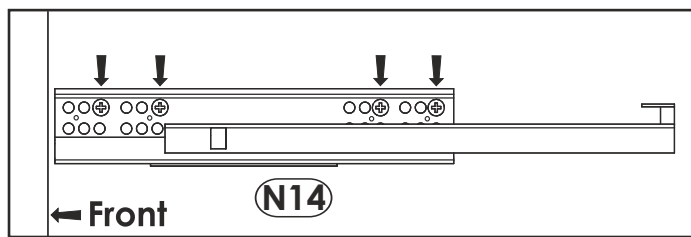
1	1092	393	16	x1	1/3
2	1092	393	16	x1	1/3
3	1092	373	16	x1	1/3
4	1092	373	16	x1	1/3
5	350	120	16	x6	1/3
6	350	120	16	x6	1/3
7	334	120	16	x6	1/3
8	749	128	16	x6	2/3
9	800	156	16	x6	2/3
10	1060	915	25	x1	2/3
11	951	428	40	x1	3/3
12	951	428	40	x1	3/3
13	1102	897	2.8	x1	2/3
14	759	344	2.8	x6	2/3
					1/3



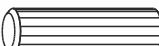


1 ▶

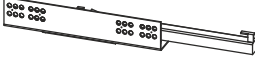
A0 8 x 30mm 	x4	C7 16mm 	x4	D31 6,3 x 13 mm 	x24
--	-----------	--	-----------	--	------------

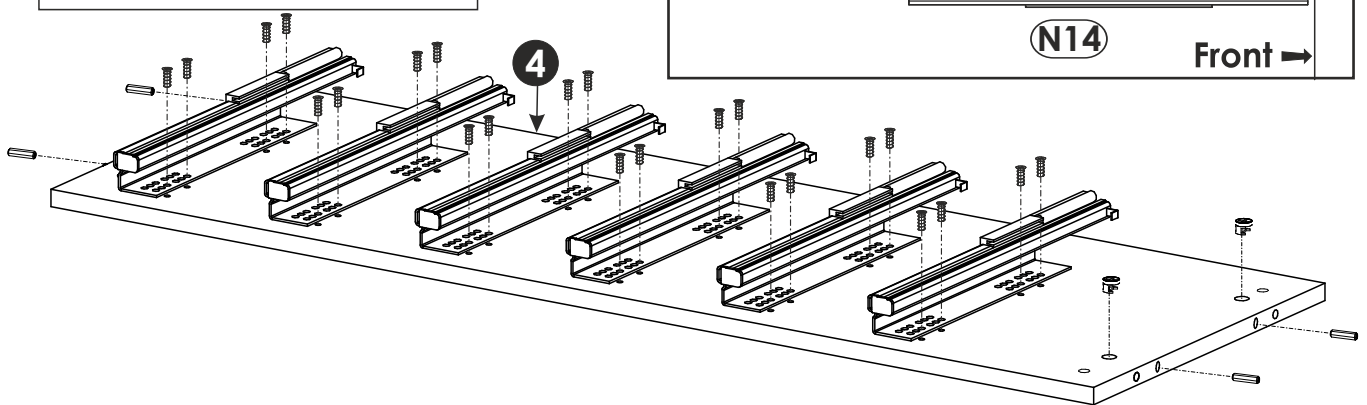
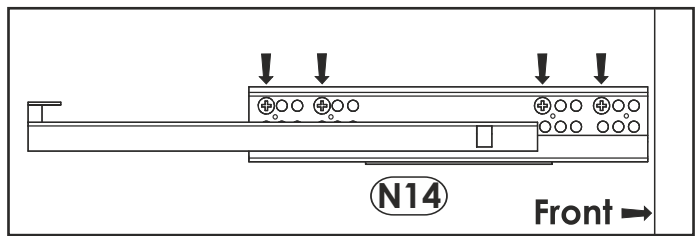
N14  L-350mm	x6
--	-----------





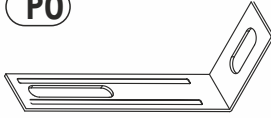
2 ▶

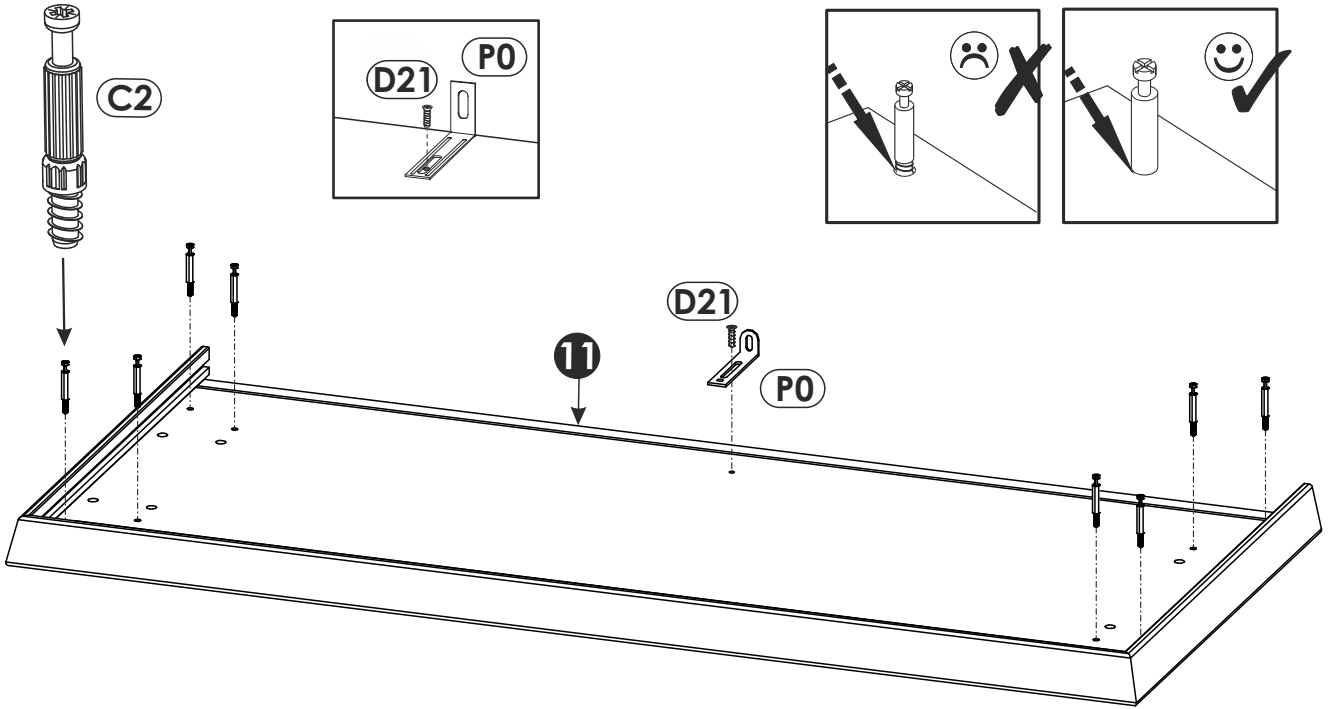
A0 8 x 30mm 	x4	C7 16mm 	x4	D31 6,3 x 13 mm 	x24
--	-----------	--	-----------	--	------------

N14  L-350mm	x6
--	-----------





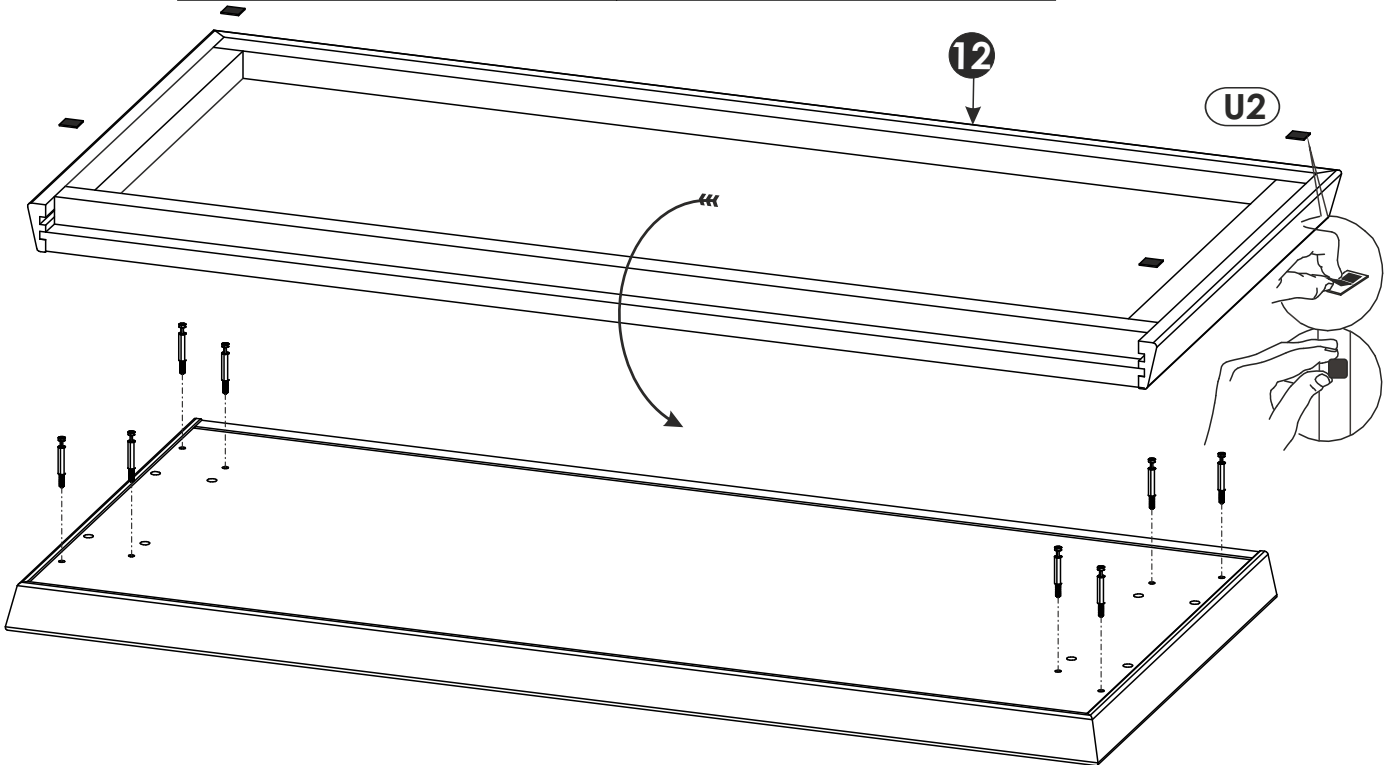
3 ▶

C2 	x8	D21 5 x 13 mm 	x1	P0 	x1
--	-----------	--	-----------	--	-----------

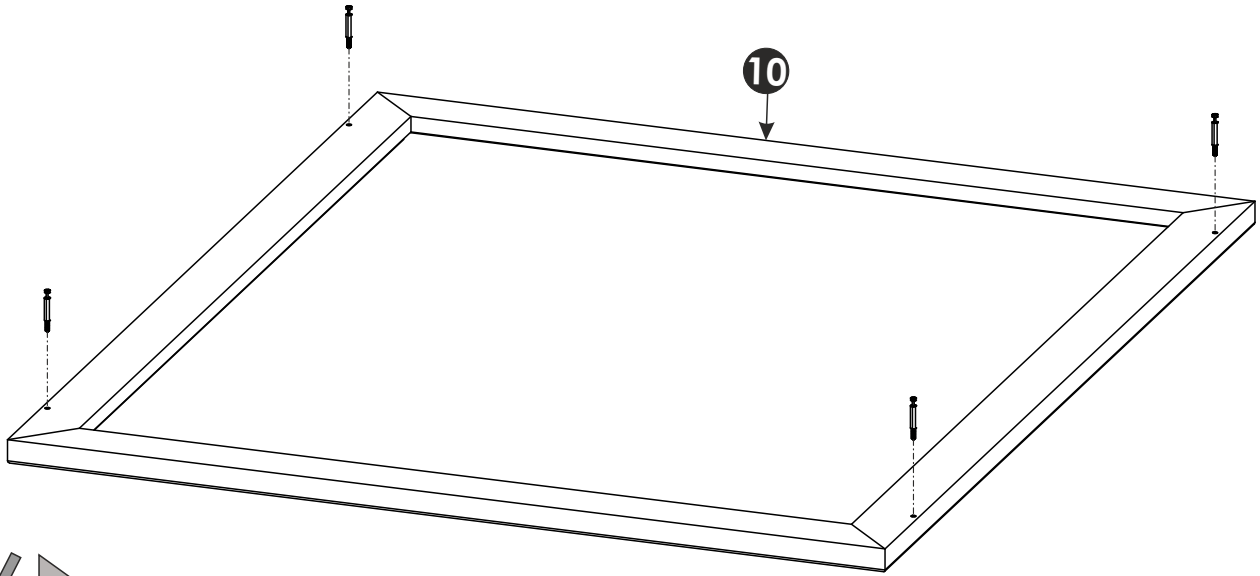
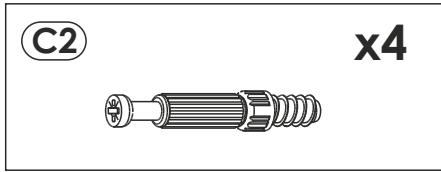


4 ▶

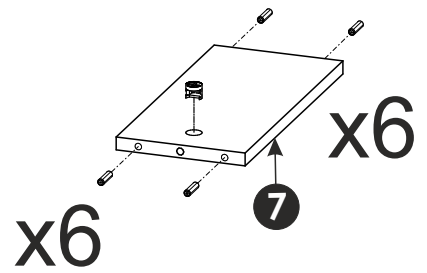
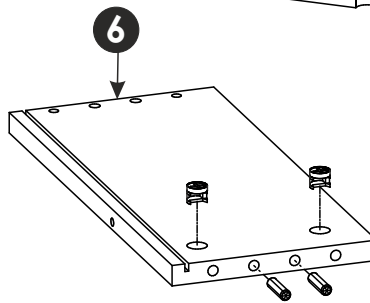
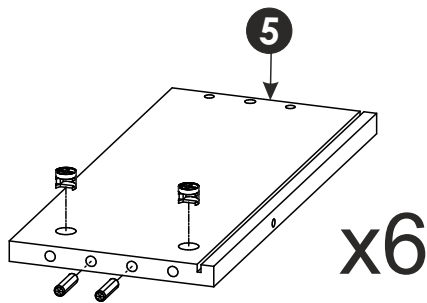
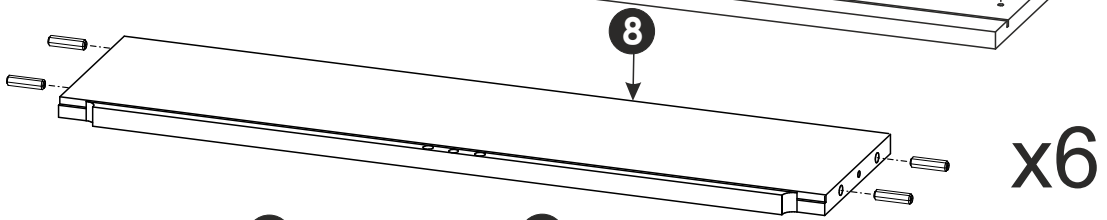
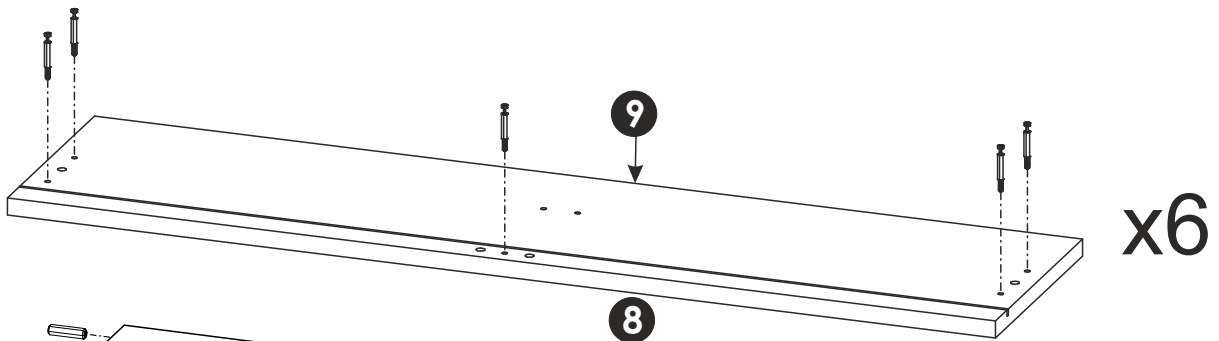
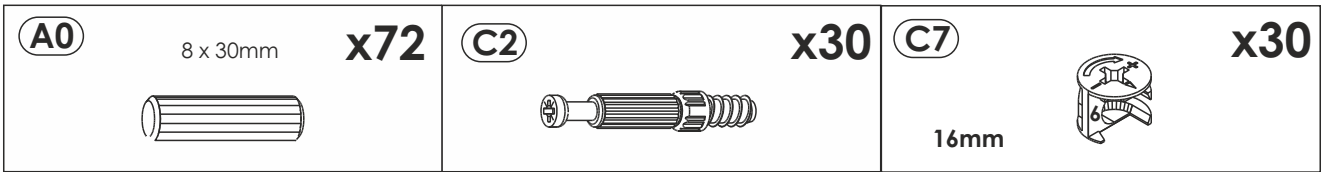
C2 	x8	U2 	x4
--	-----------	--	-----------



5 ▶



6 ▶



7 ▶

B1	f 7 x 50 mm	x18	K	4mm	x1
-----------	-------------	------------	----------	-----	-----------

8 ▶

5, **7**, **8**, **6**, **B1**, **K**, **x6**

9 ▶

9, **14**, **a=b**

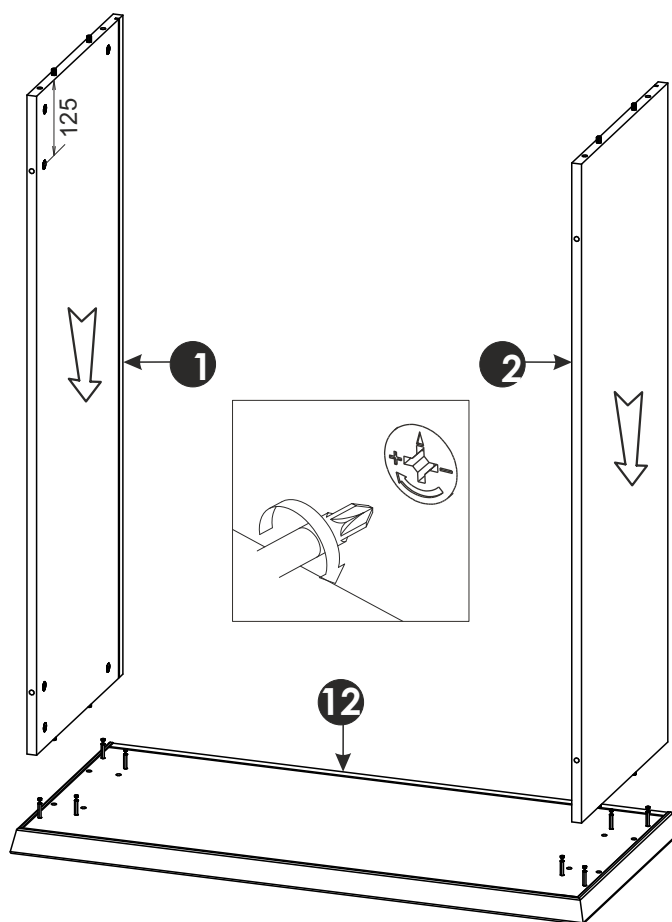
9 ▶

14, **x6**

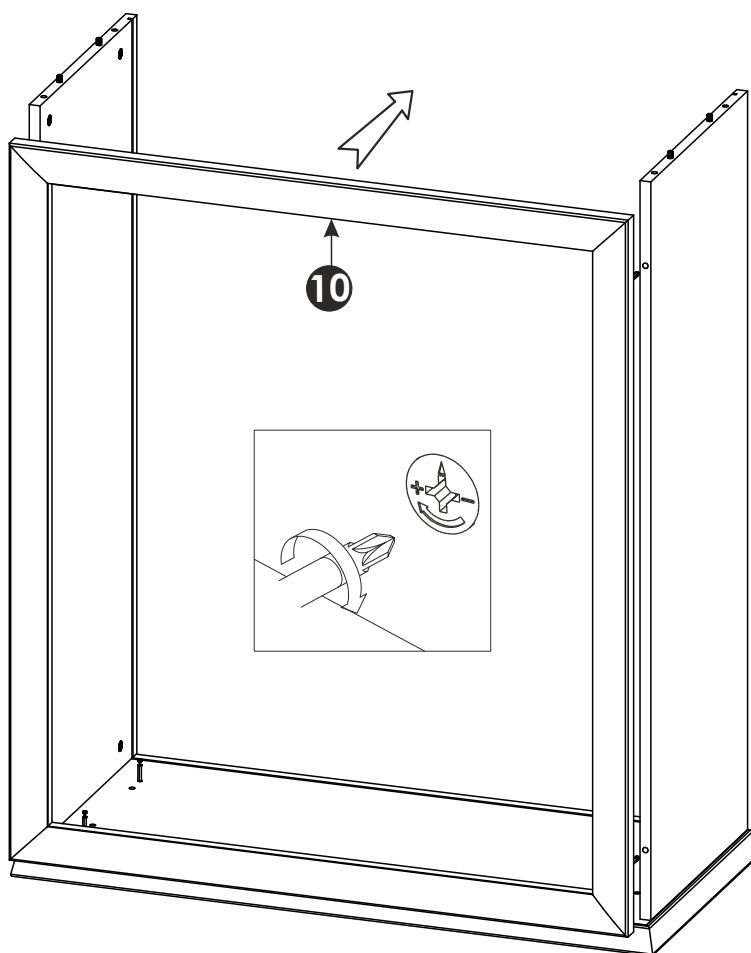
H2	4 x 22 mm	x12
L6		x6

H2, **L6**, **x6**

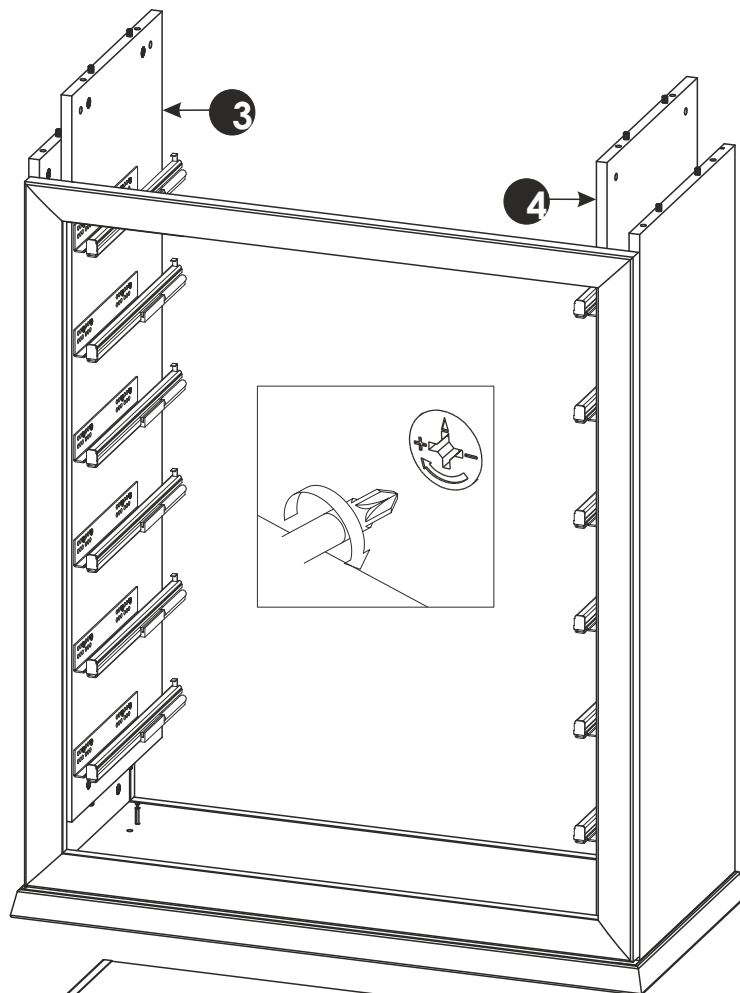
10 ▶



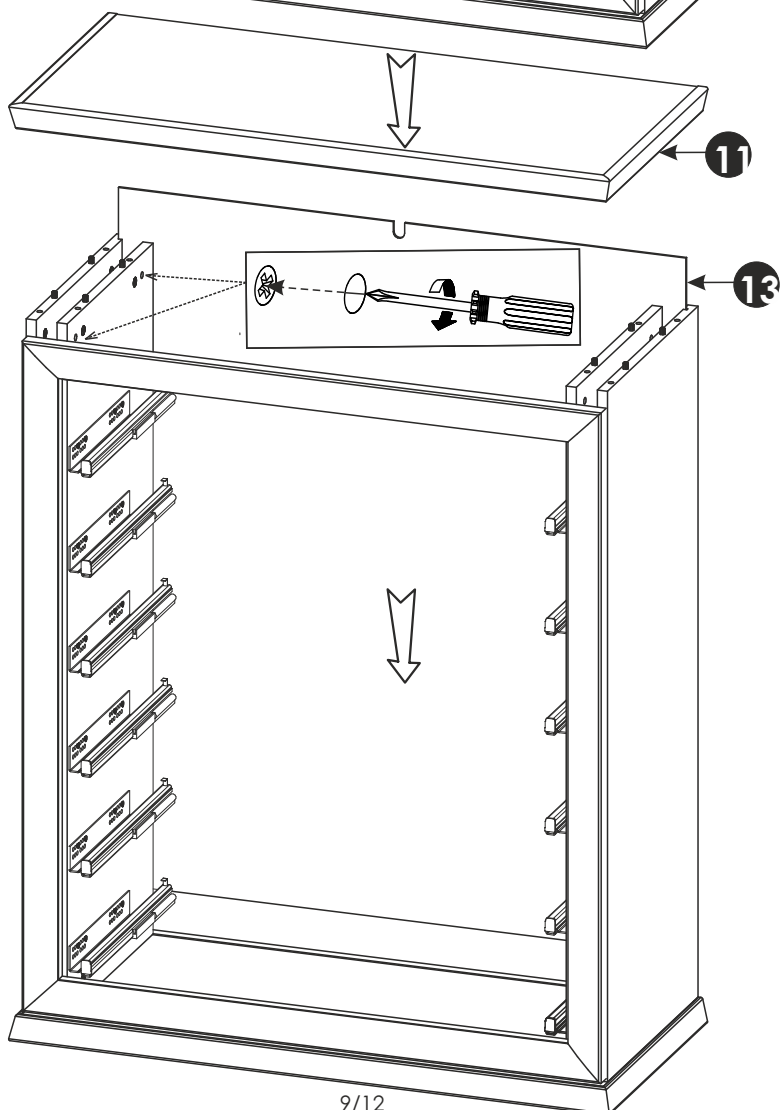
11 ▶




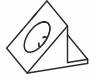
12 ▶

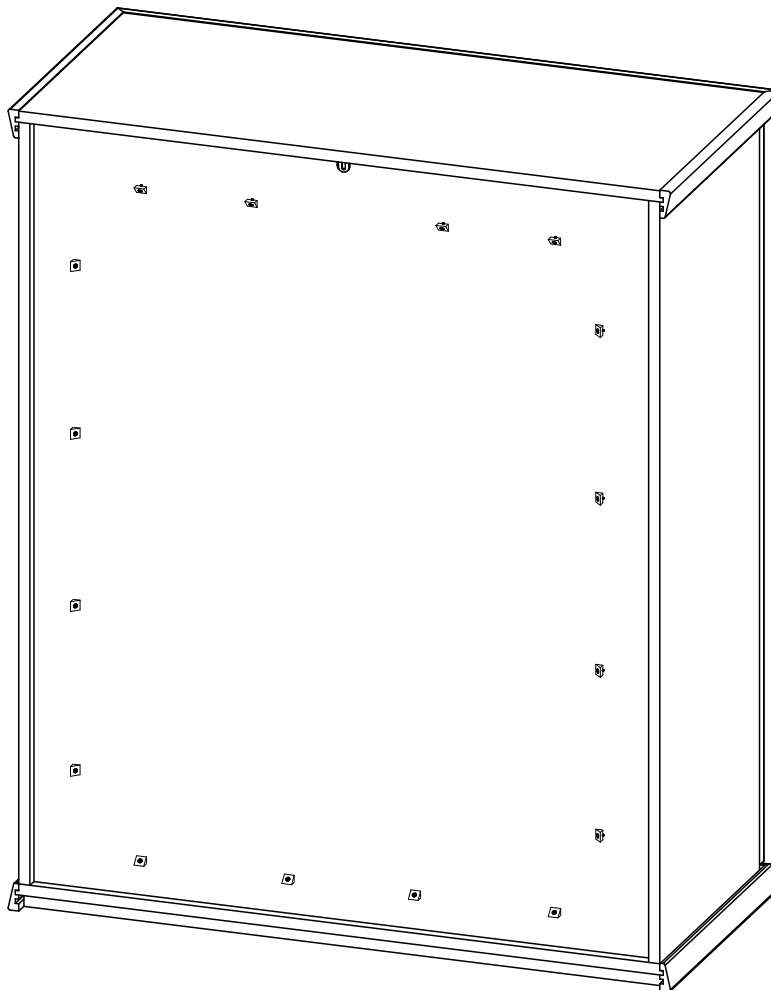
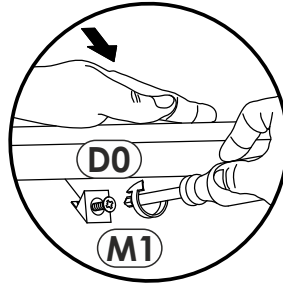
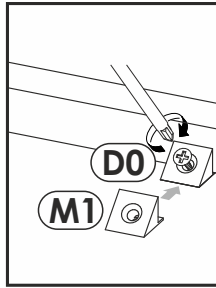
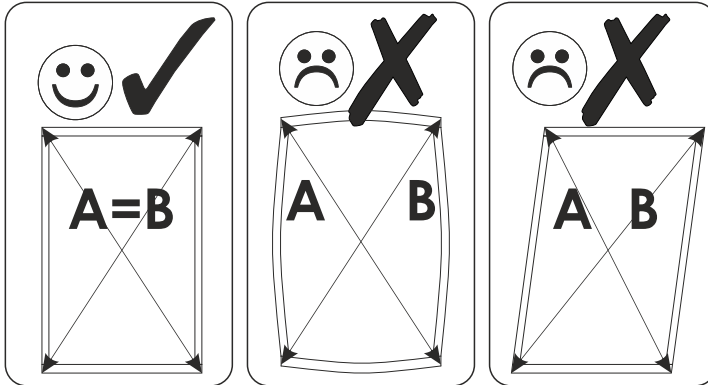


13 ▶



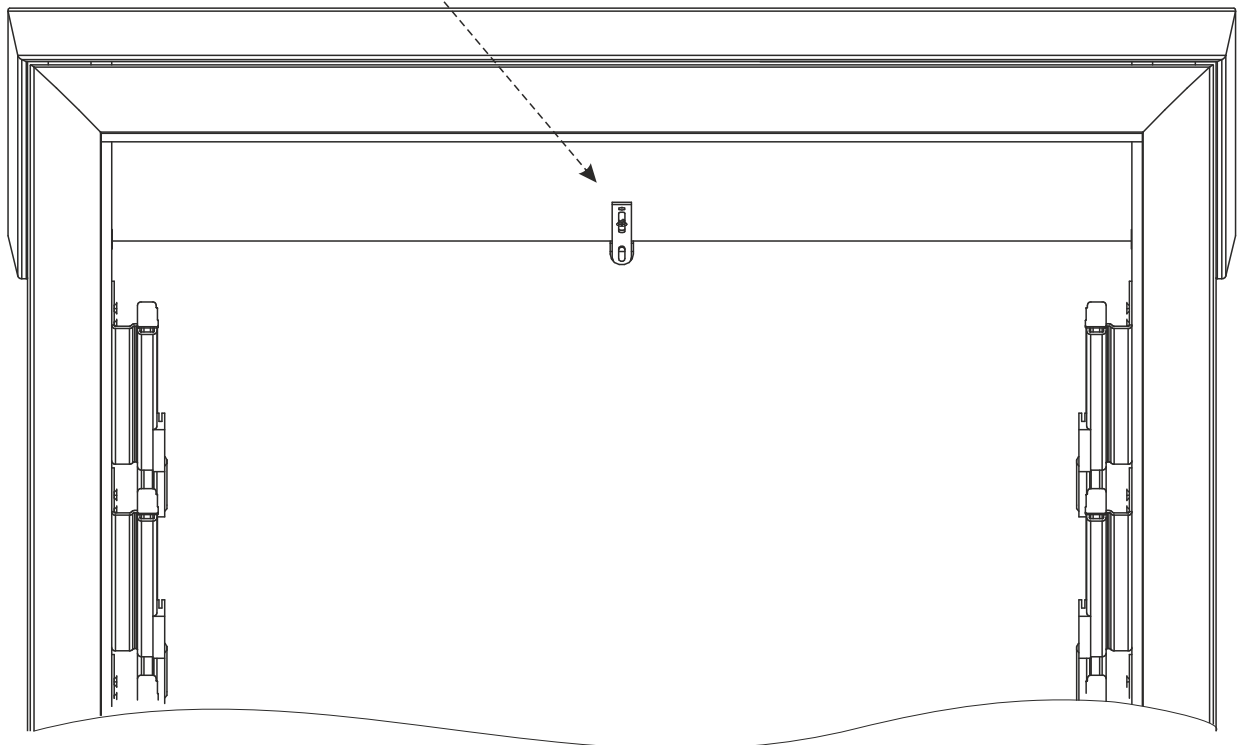
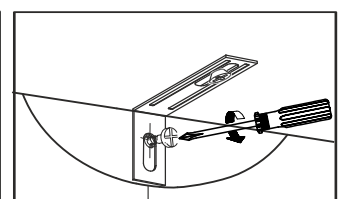
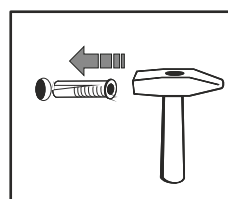
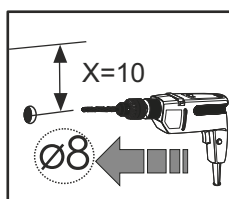
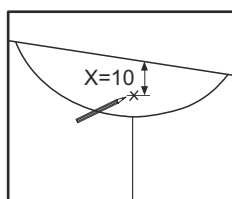
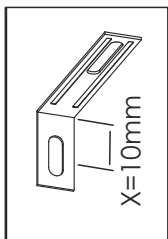
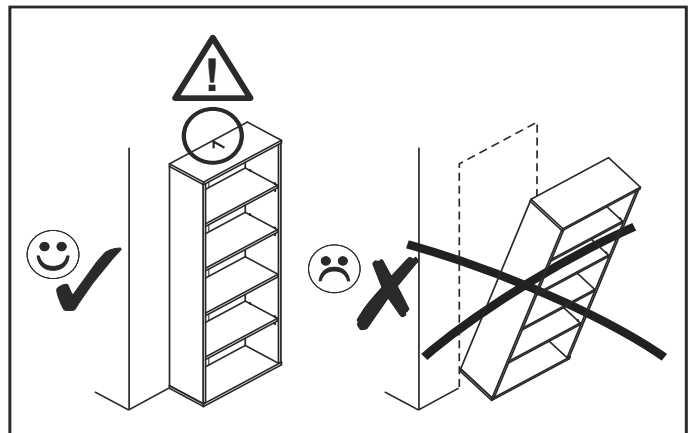
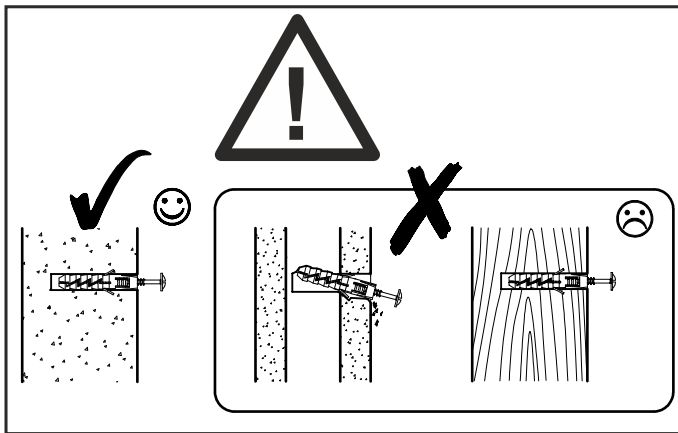
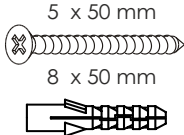
14▶

D0	3 x 15 mm	x16	M1		x16
					



15▶

E0 5 x 50 mm **x1**
8 x 50 mm



16 ▶

