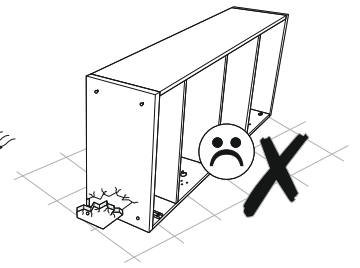
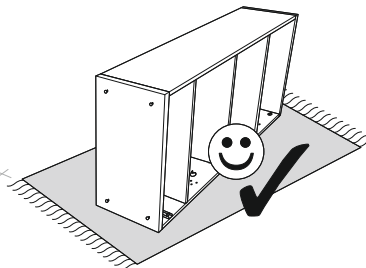
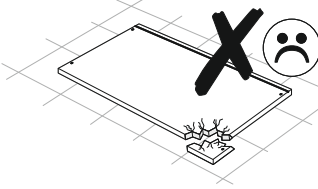
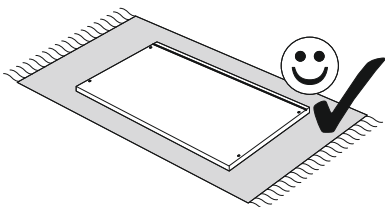
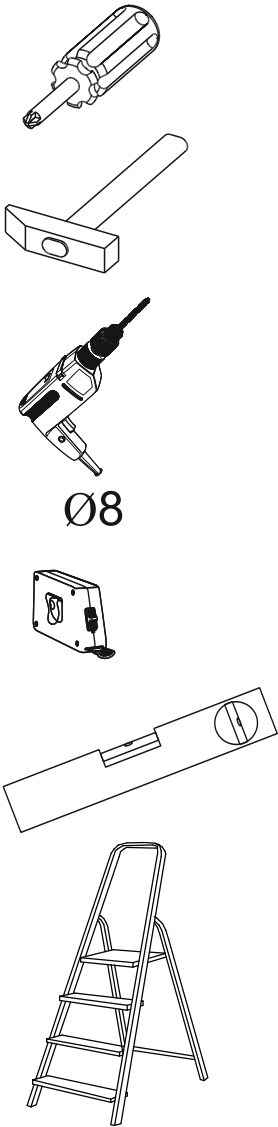
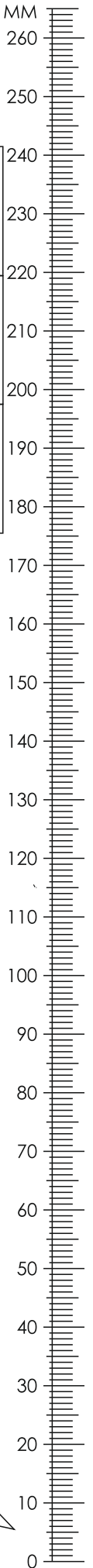




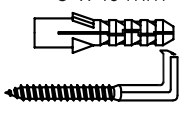

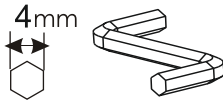

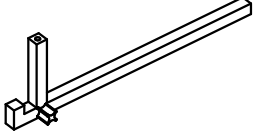
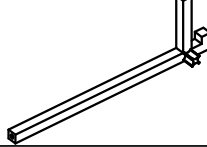
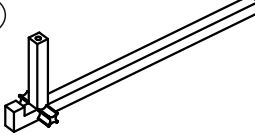
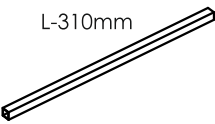
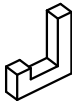
1150mm

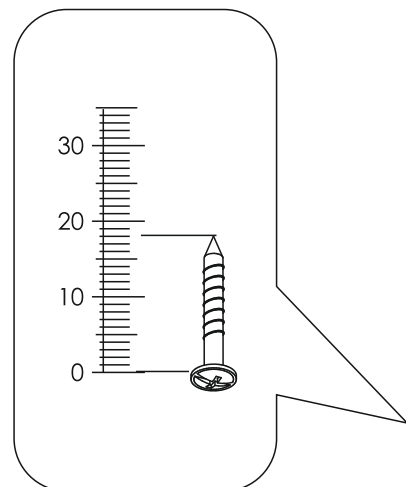
820mm


296mm

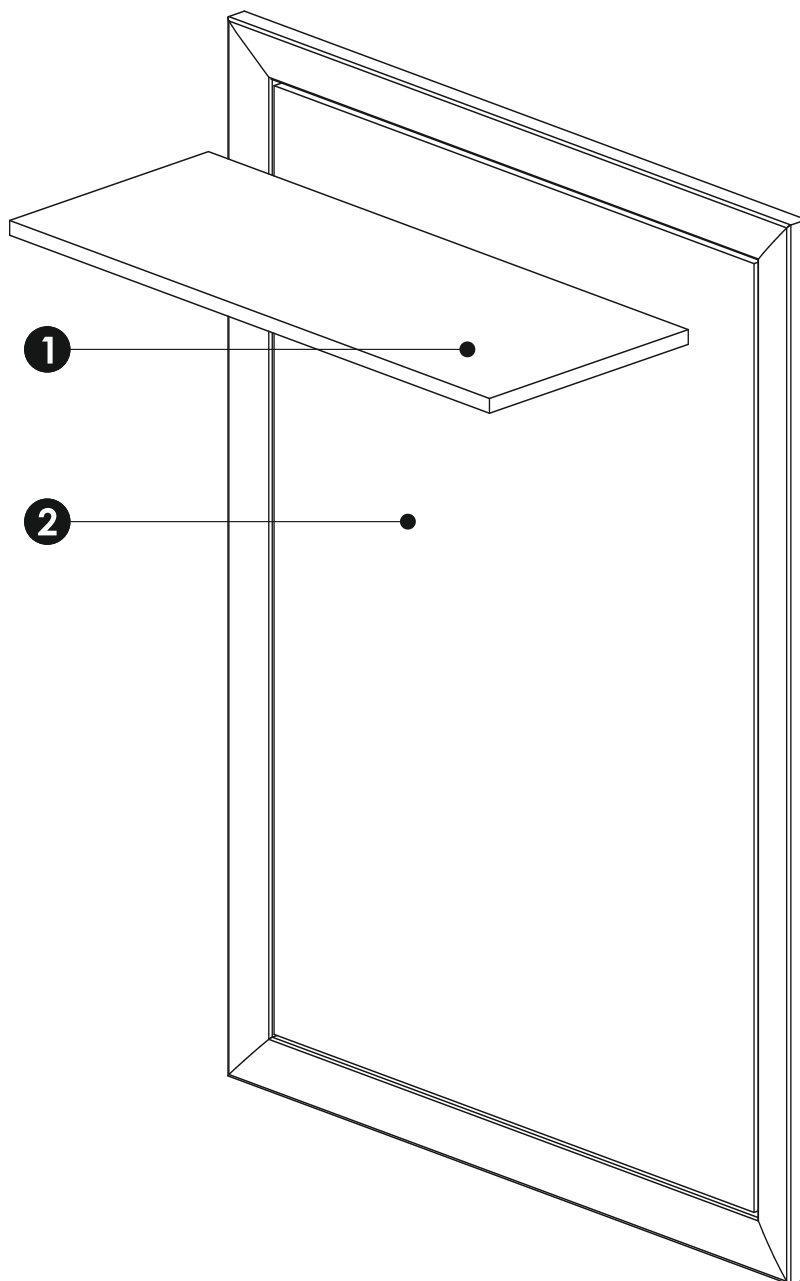
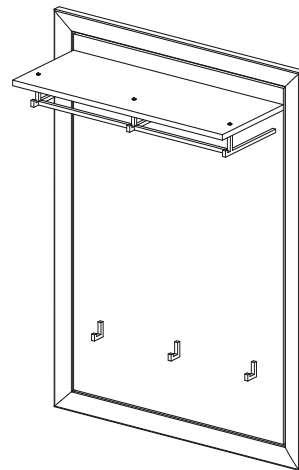




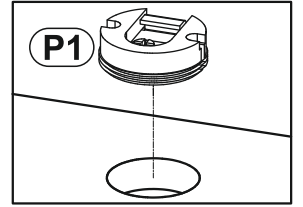
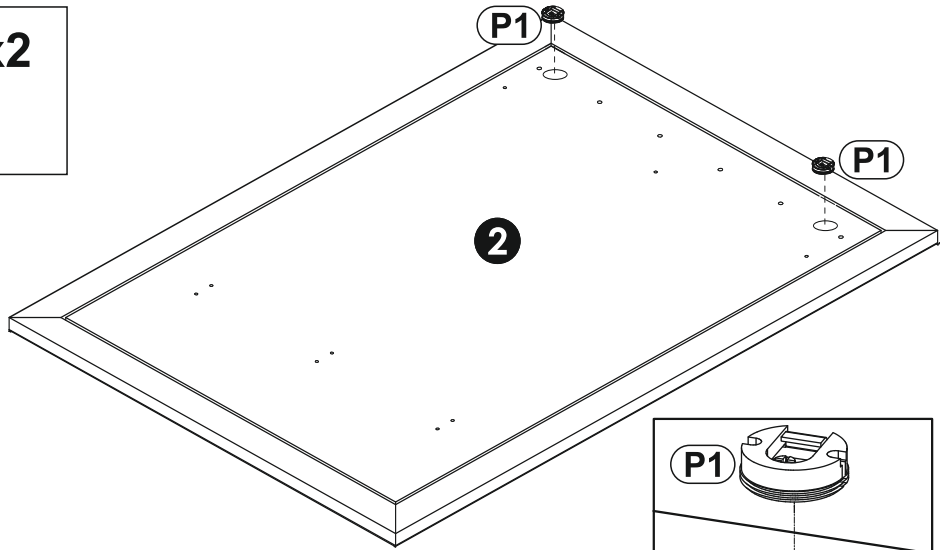
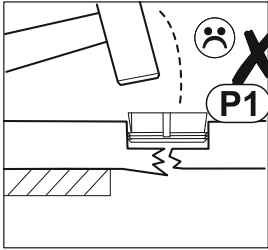
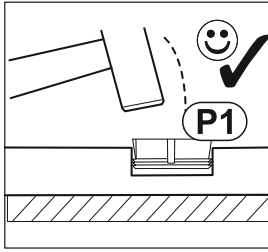
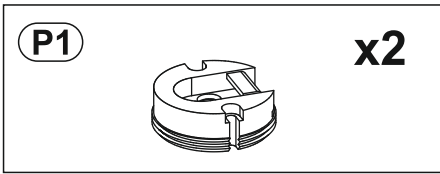
B2 f 7 x 70 mm x6 	D22 5 x 11 mm x4 	E1 8 x 40 mm x2 
H6 4 x 22 mm x12 	K 4mm x1 	P1 x2 
P12 x1 	P13 x1 	P14 x1 
P15 L-310mm x2 	P16 x3 	



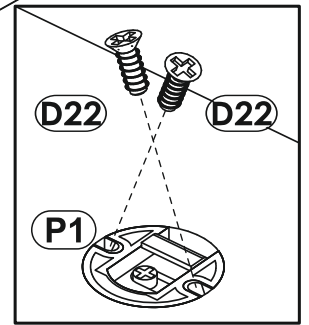
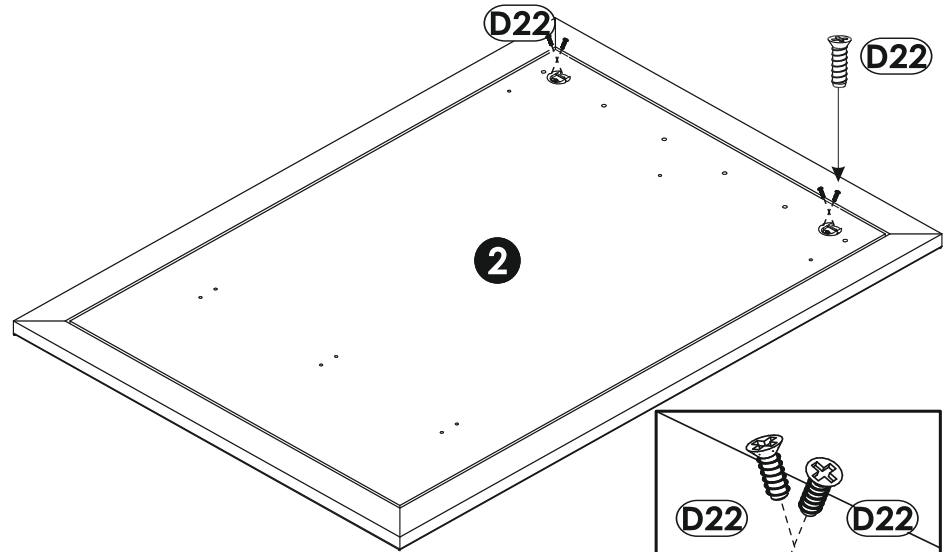
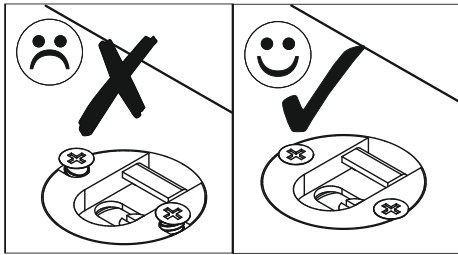
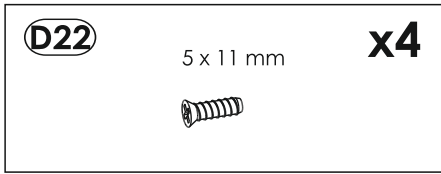
1	698	280	16	x1	1/1
2	1150	820	25	x1	1/1
					1/1



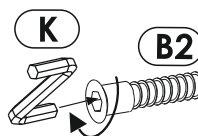
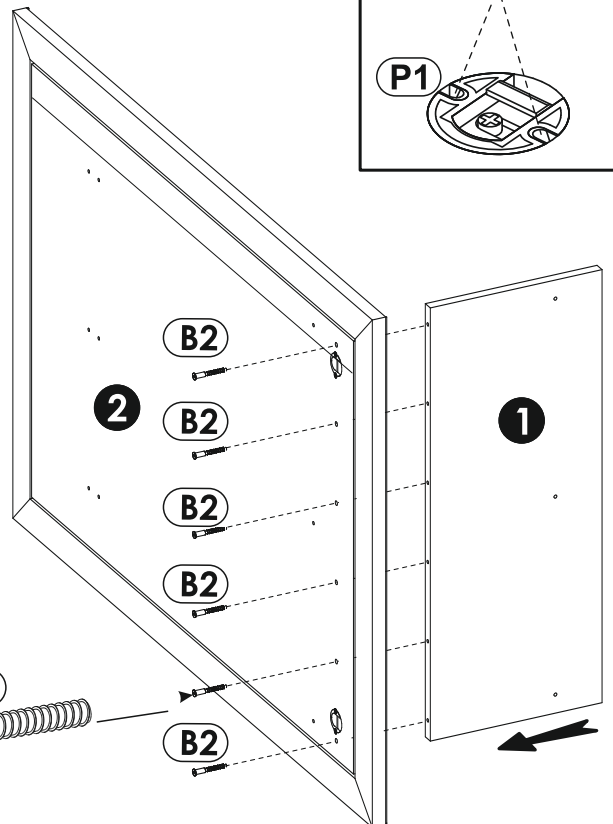
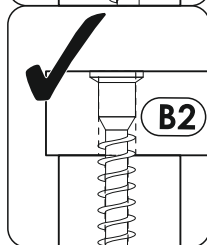
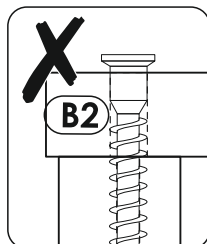
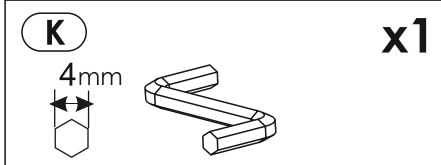
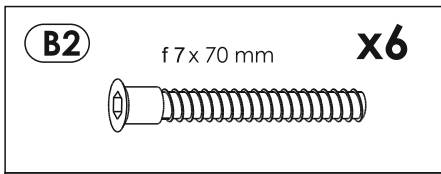
1 ▶

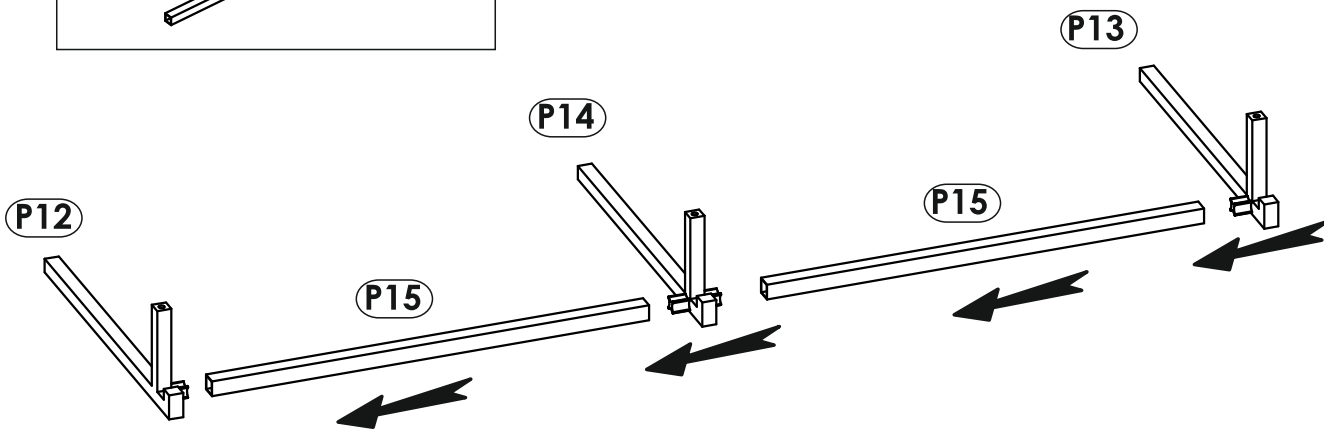
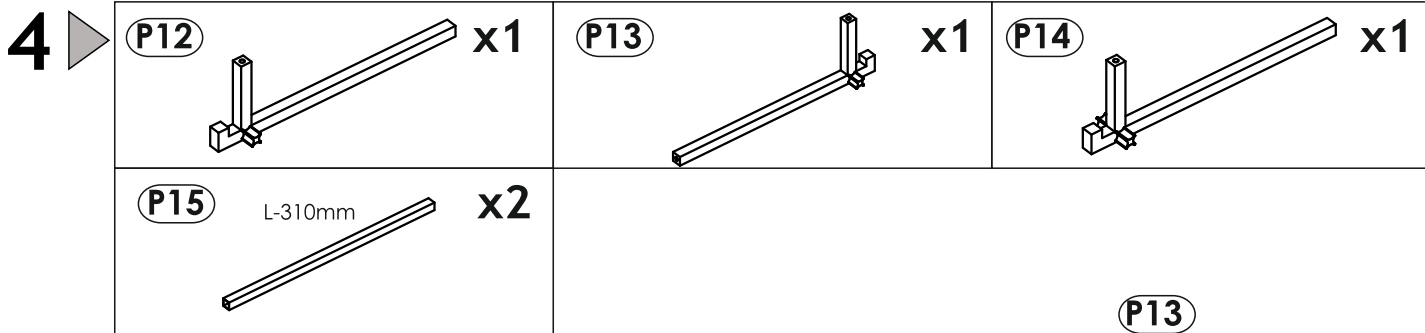


2 ▶

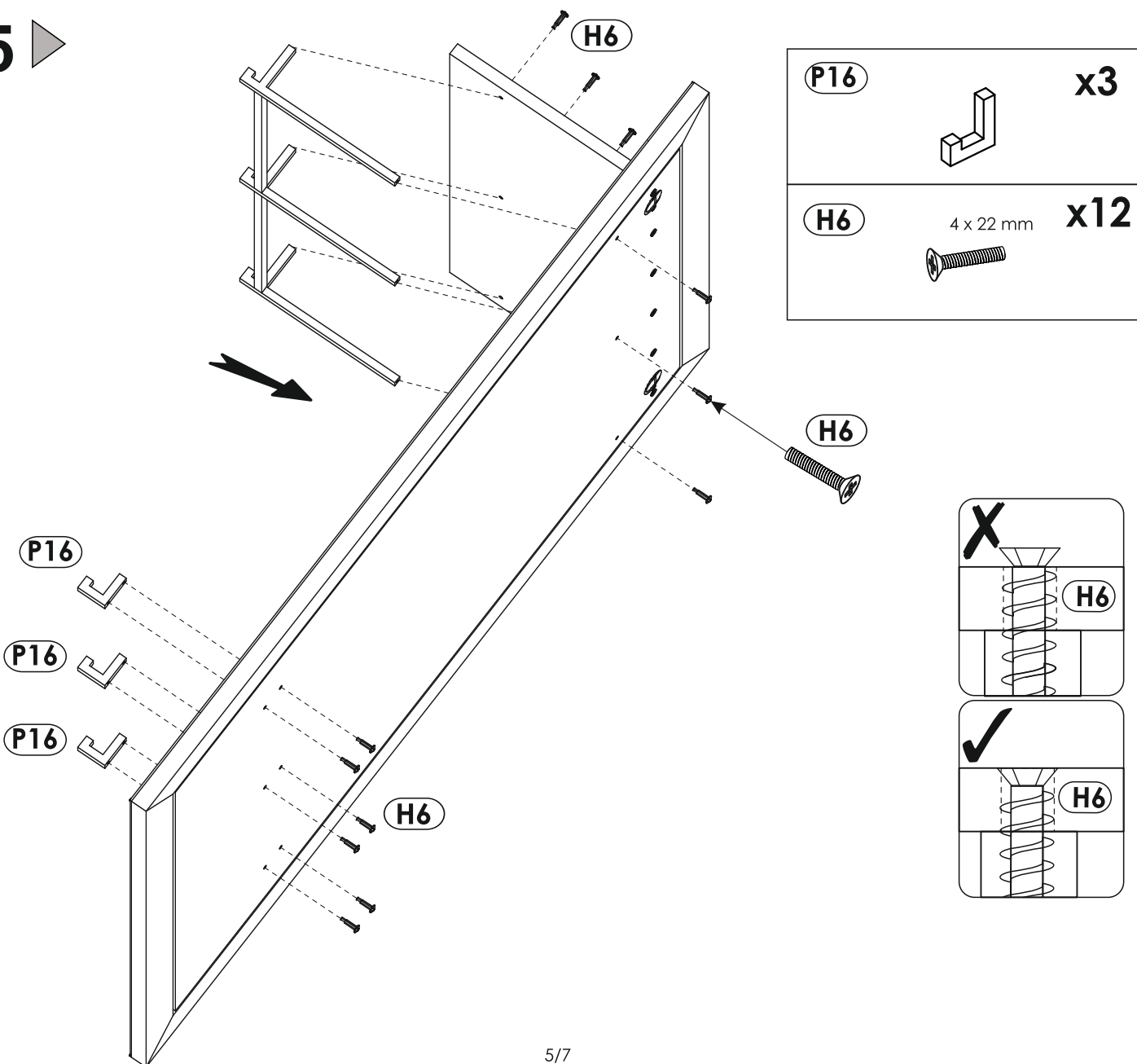


3 ▶

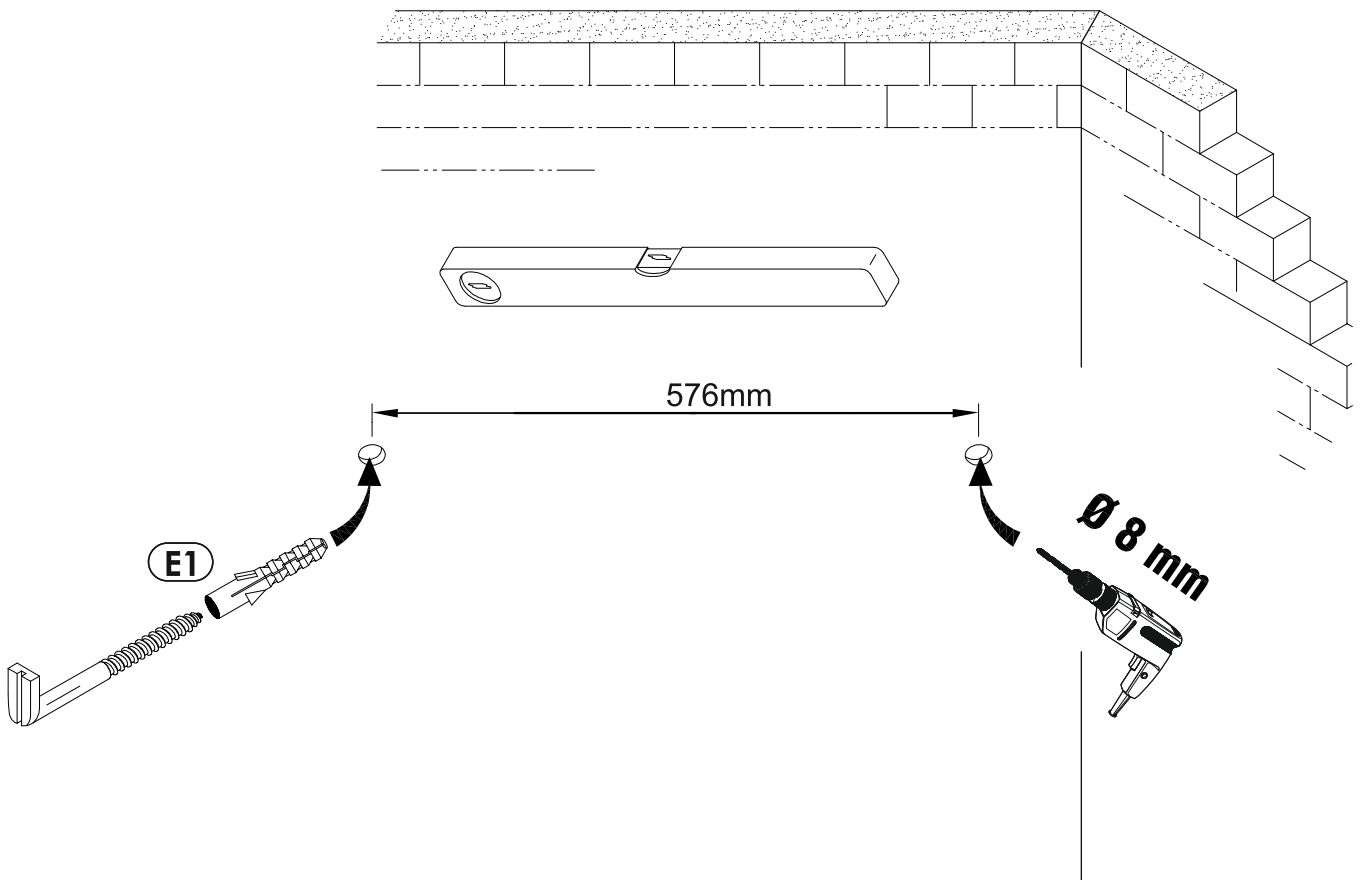
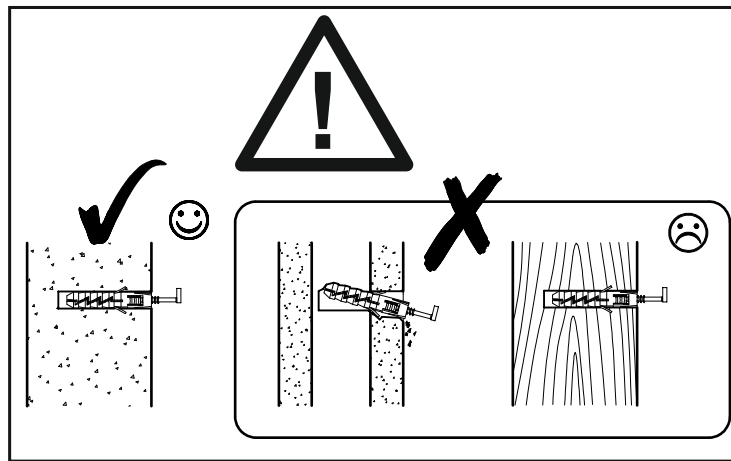
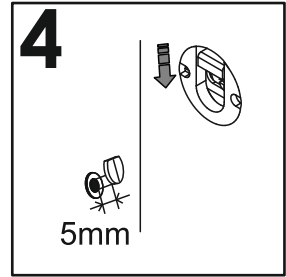
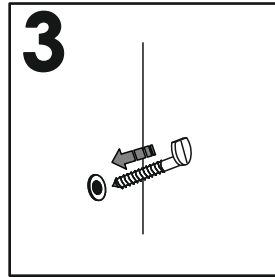
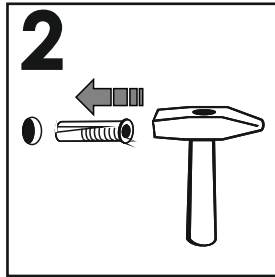
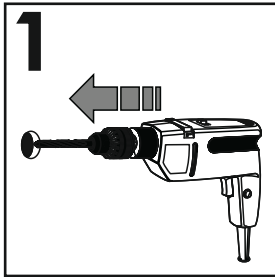
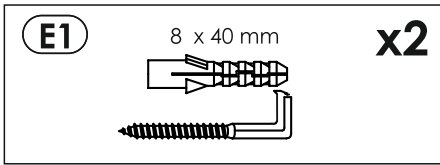




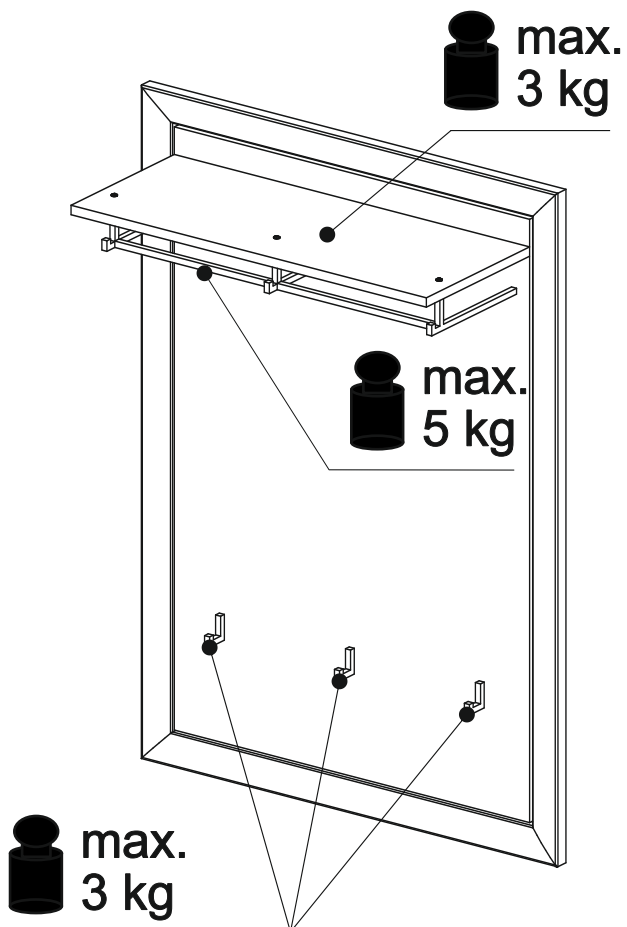
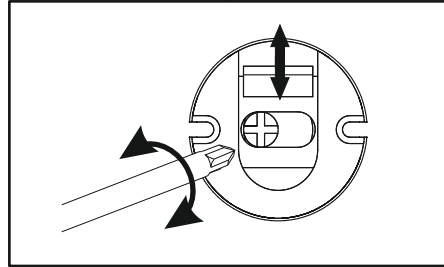
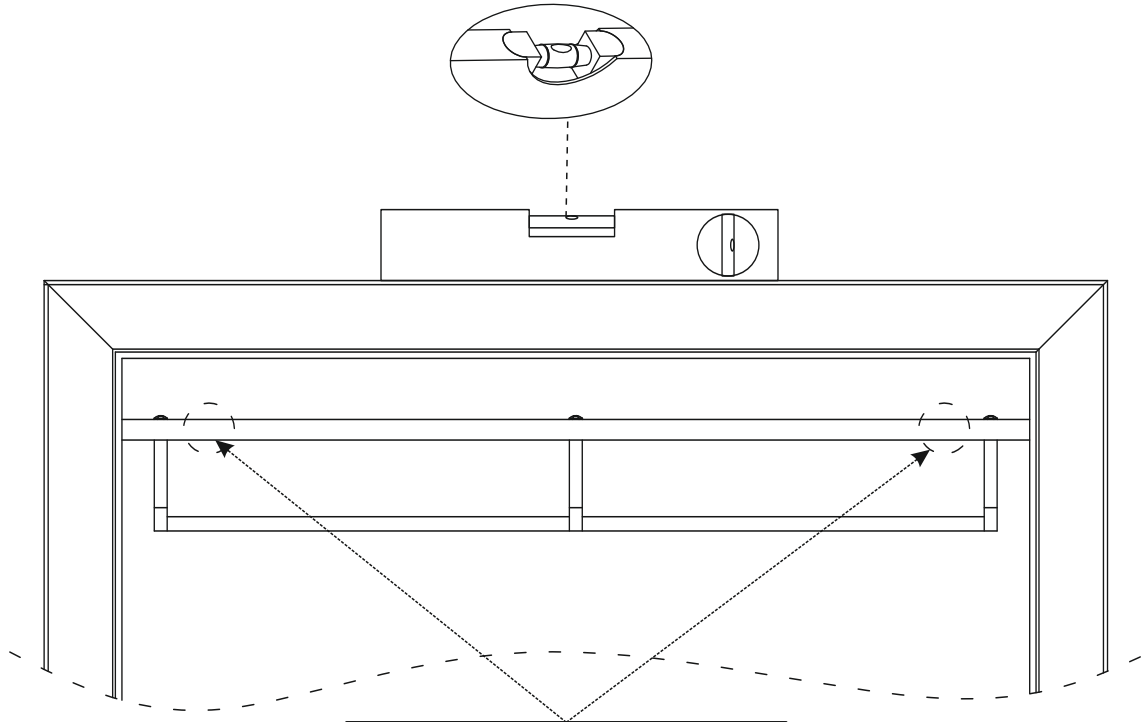
5 ▶

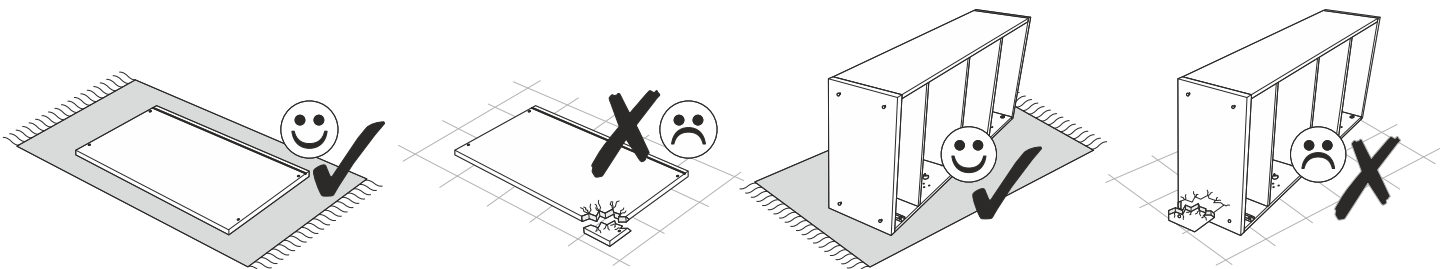
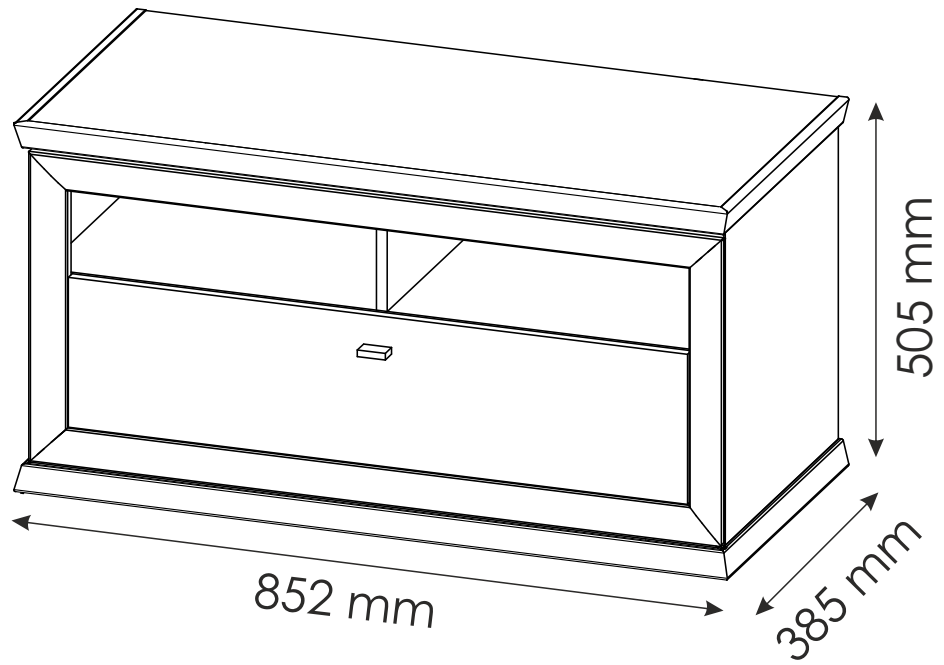
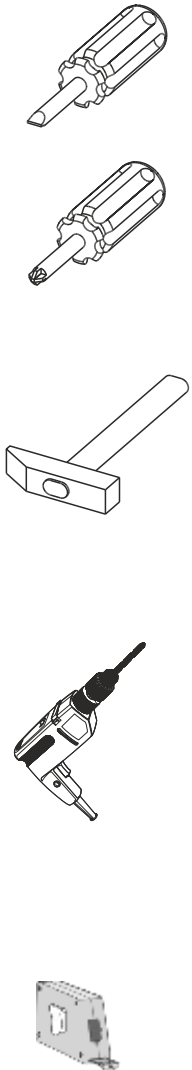
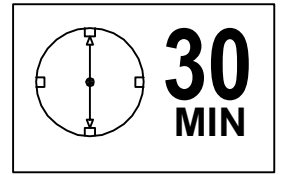
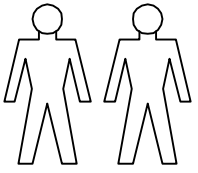










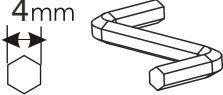


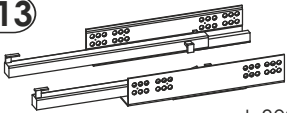

6 ▶

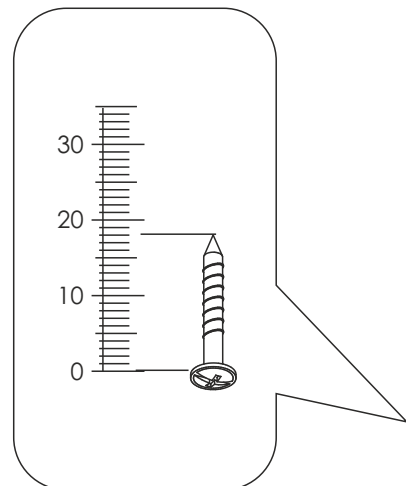
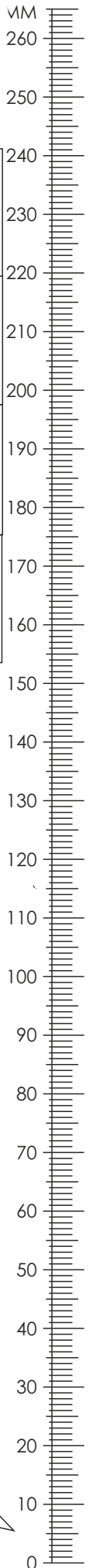


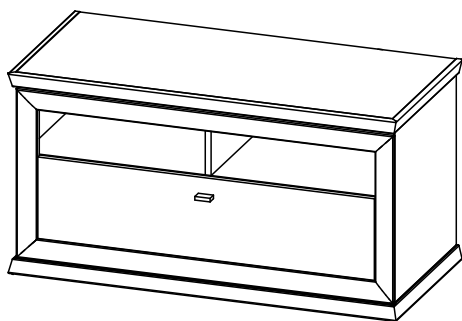
7 ▶






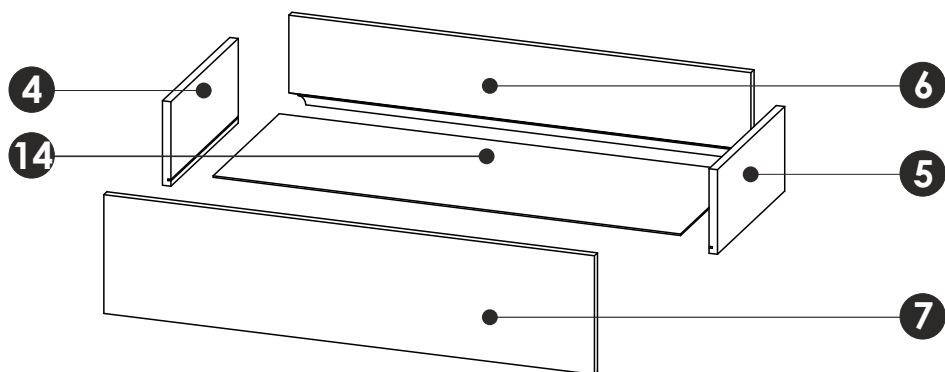
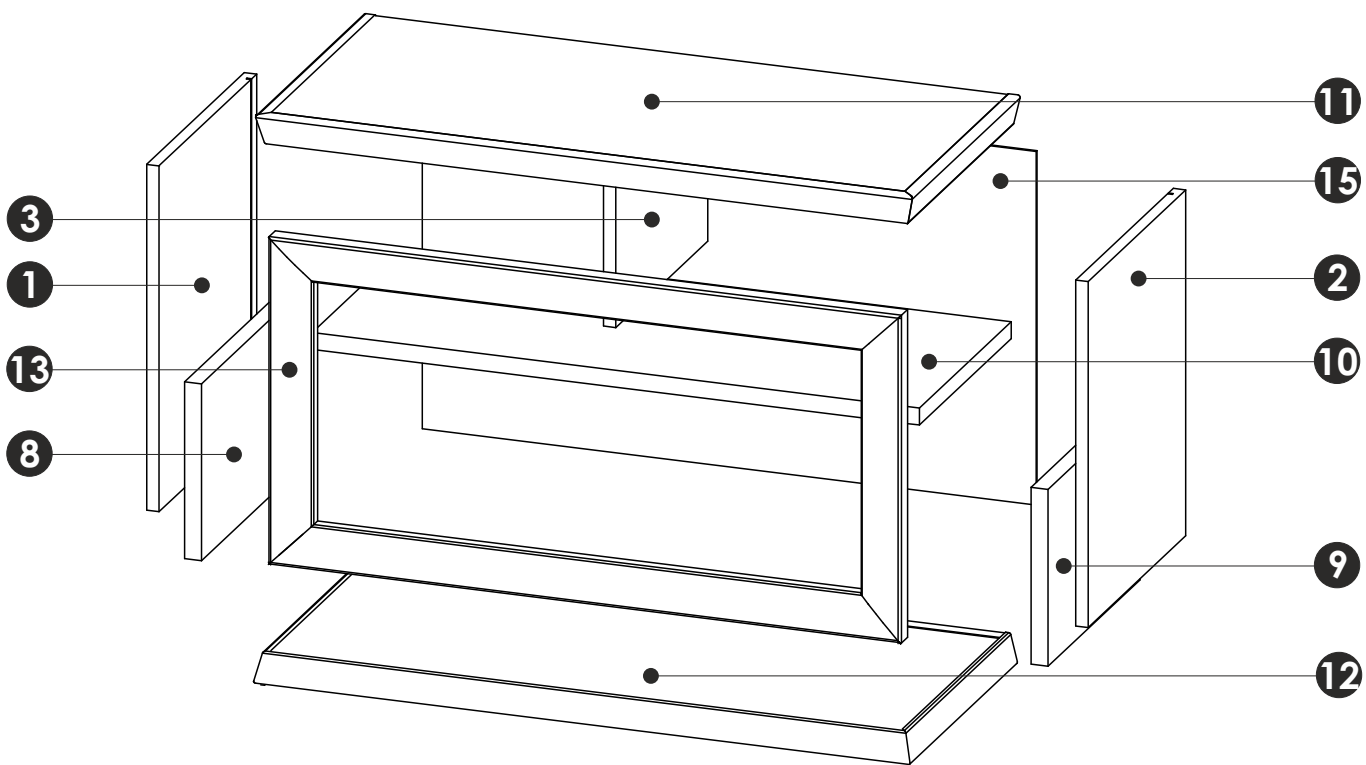
A0 8 x 30mm x32 	B1 f 7 x 50 mm x6 	C0 x14 
C2 x28 	C7 x26 16mm 	D0 3 x 15 mm x18 
D31 6,3 x 13 mm x8 	H2 4 x 22 mm x2 	K x1 4mm 
L6 x1 	M1 x18 	N13 x1 L-300mm 
U2 x6 		

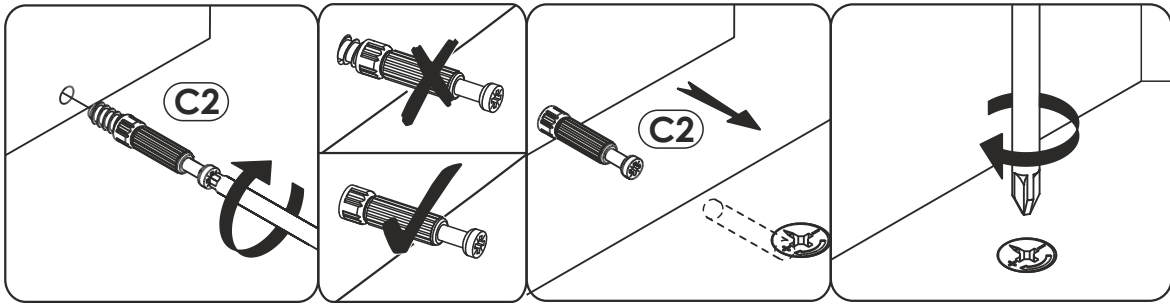




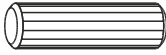


1	449	348	16 x1	1/2
2	449	348	16 x1	1/2
3	197.5	328	16 x1	1/2
4	300	120	16 x1	1/2
5	300	120	16 x1	1/2
6	668	117	16 x1	1/2
7	702	188	16 x1	1/2
8	229.5	328	22 x1	1/2

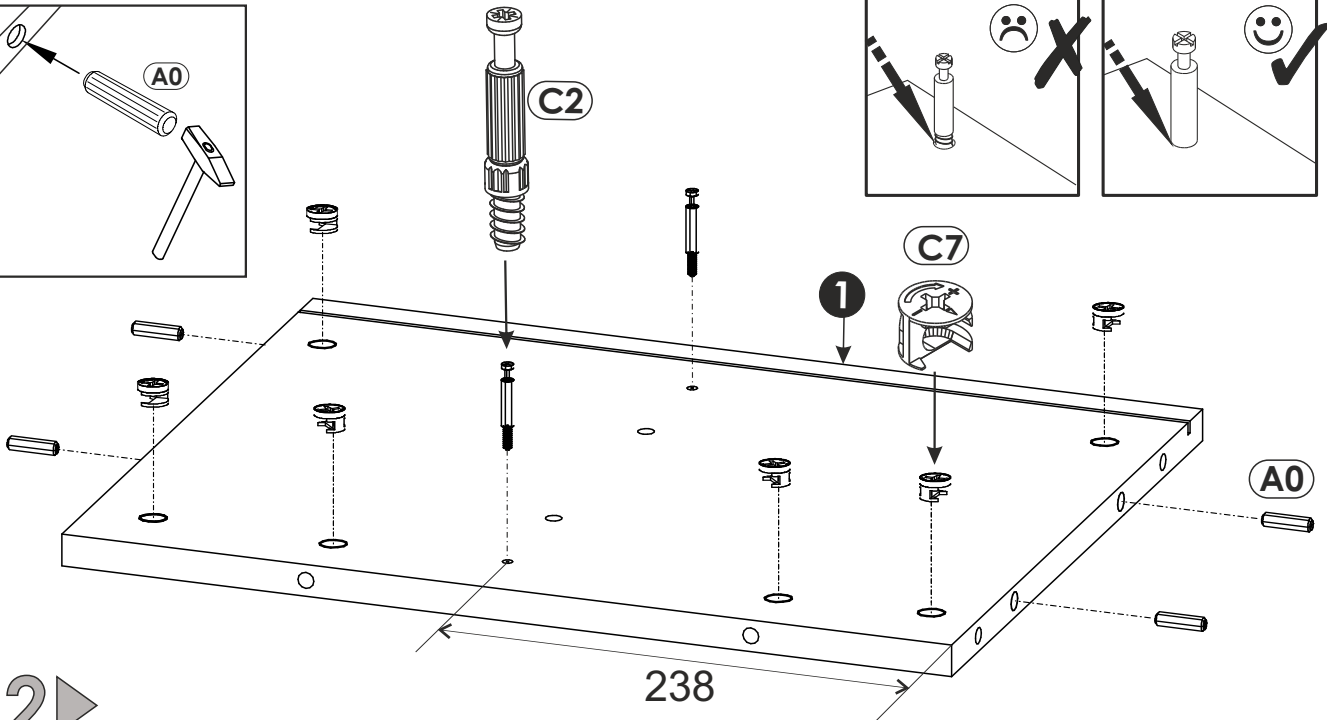
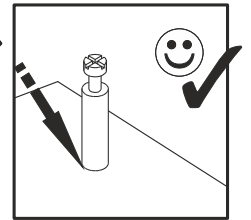
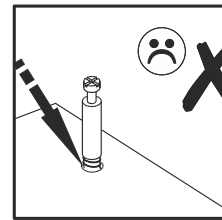
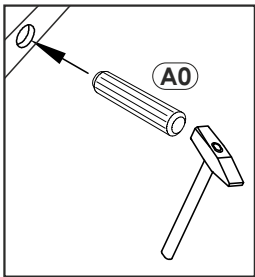
9	229.5	326	22 x1	1/2
10	788	328	22 x1	1/2
11	852	385	40 x1	2/2
12	852	385	40 x1	2/2
13	816	420	25 x1	2/2
14	678	294	2.8 x1	1/2
15	797	459	2.8 x1	2/2
				1/2








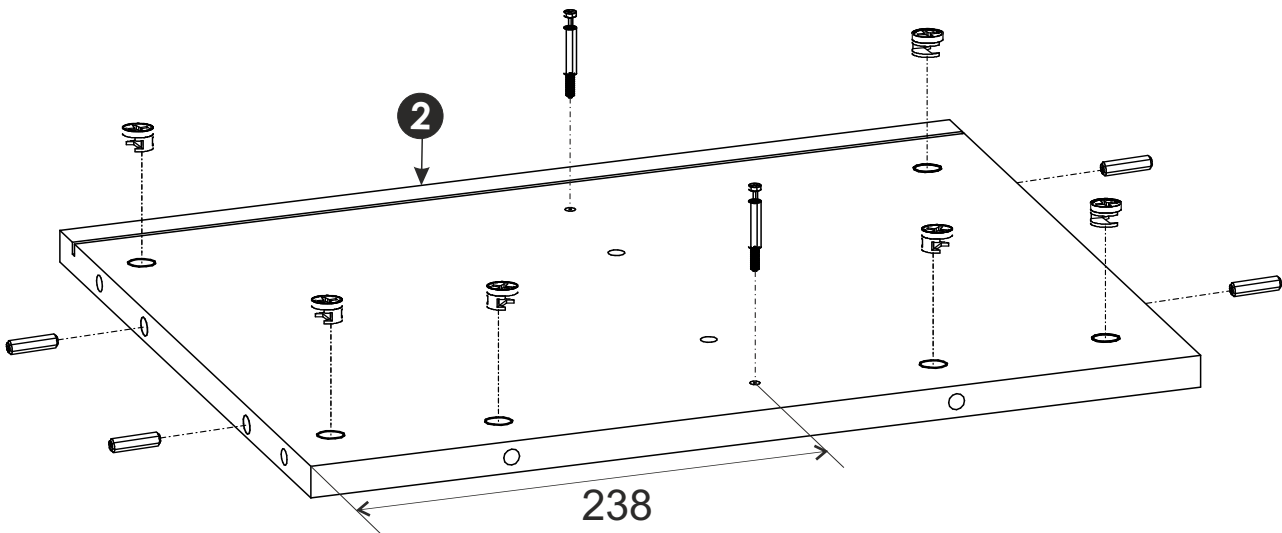
1 ▶

(A0) 8 x 30mm x4 	(C2) x2 	(C7) x6 16mm 
---	--	--

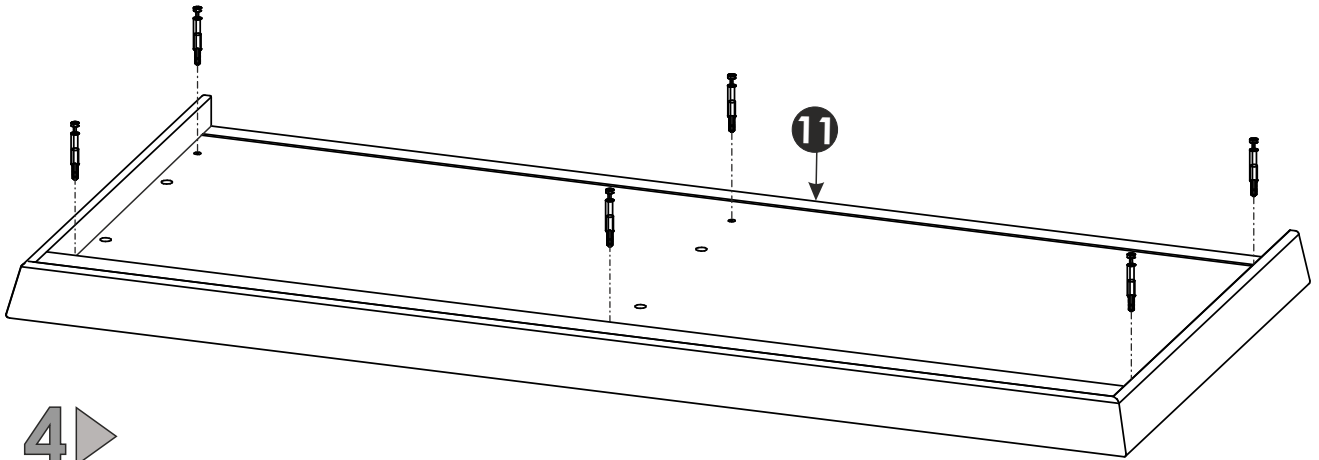
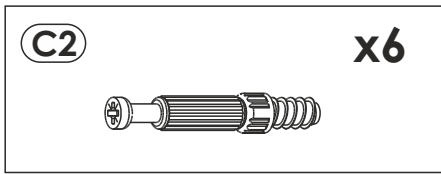


2 ▶

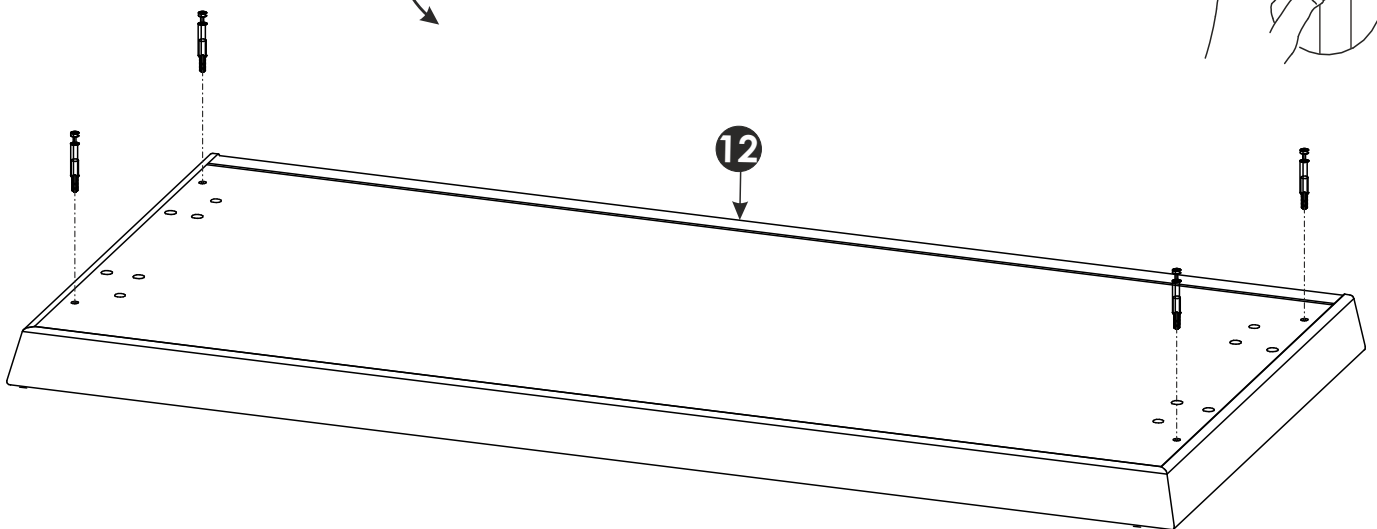
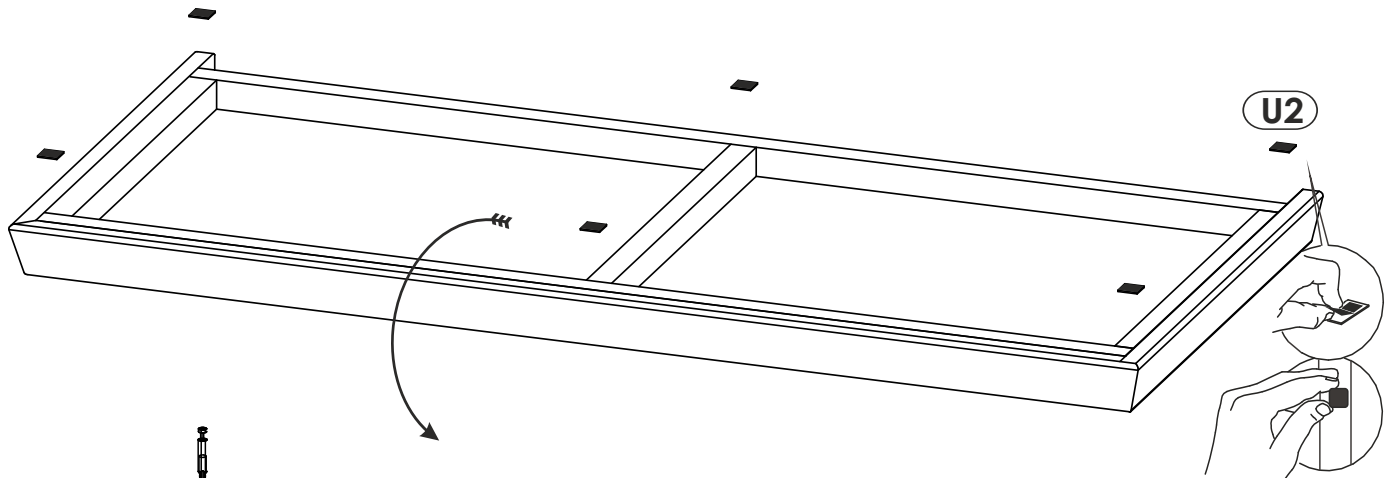
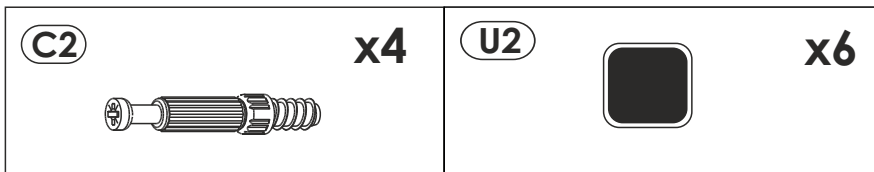
(A0) 8 x 30mm x4 	(C2) x2 	(C7) x6 16mm 
---	--	--



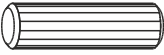


3 ▶

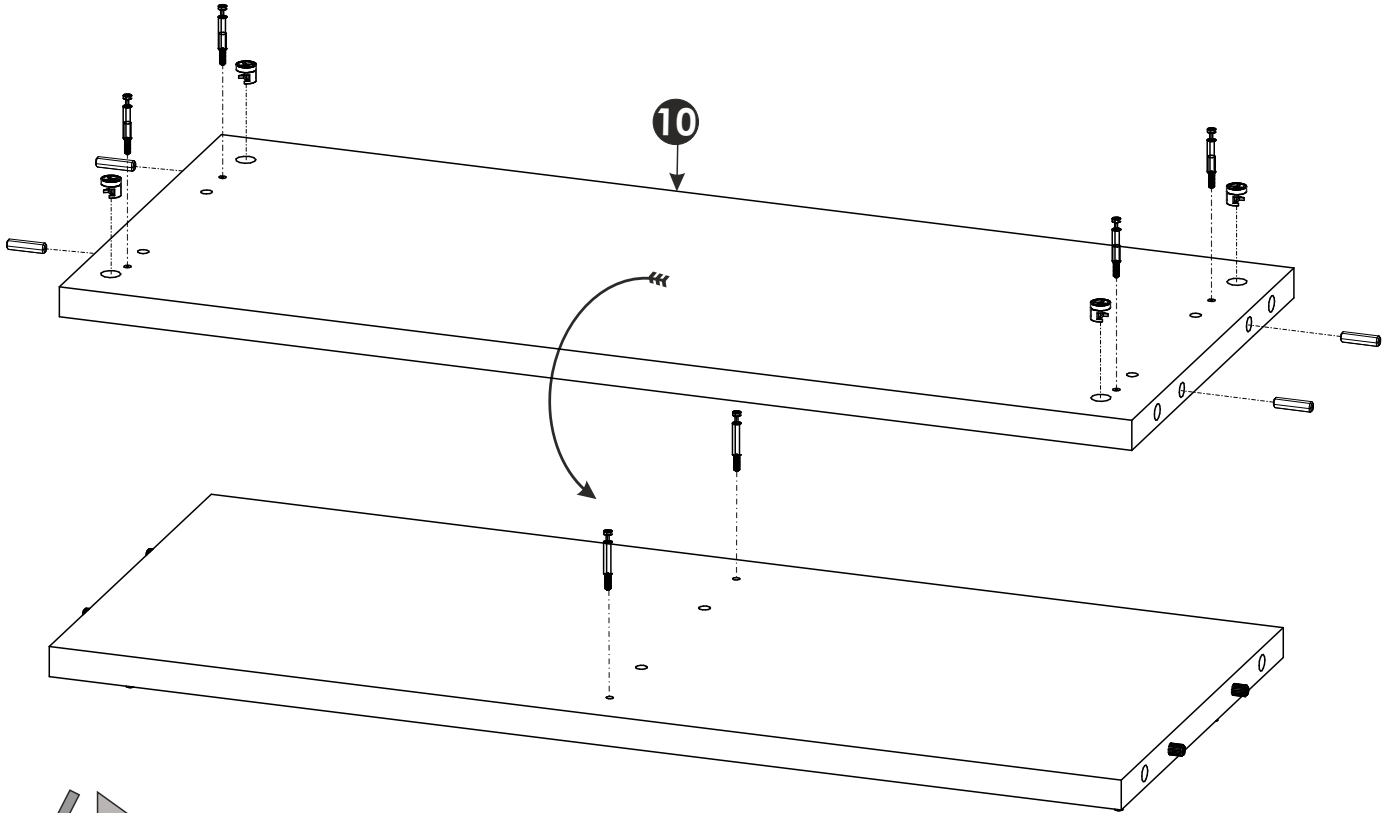


4 ▶




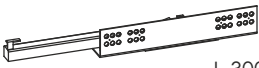


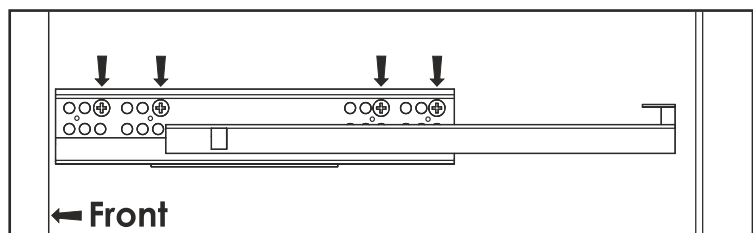
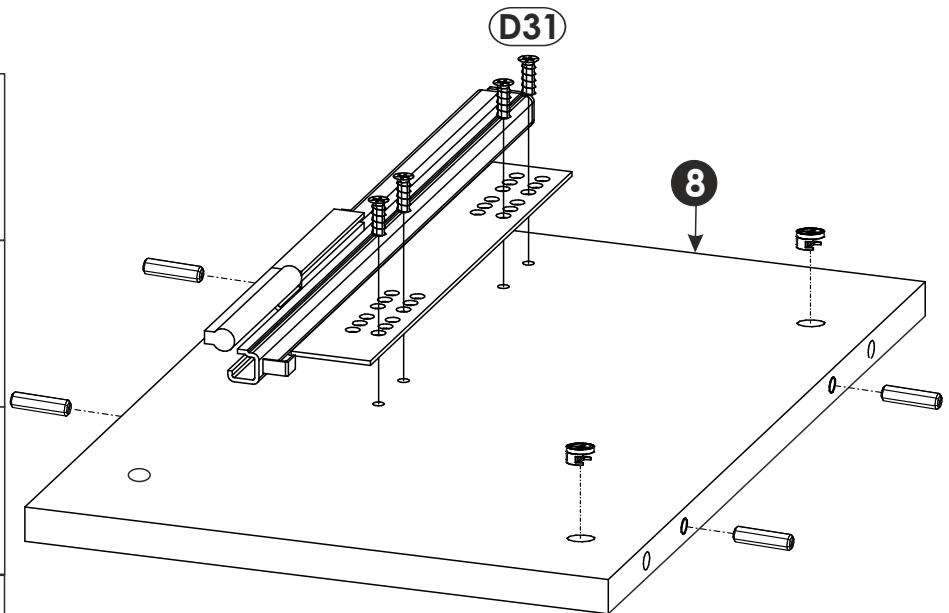
5 ▶

<p>A0 8 x 30mm x4</p> 	<p>C2 x6</p> 	<p>C7 x4</p> <p>16mm</p> 
---	--	--




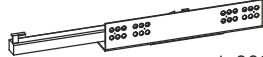


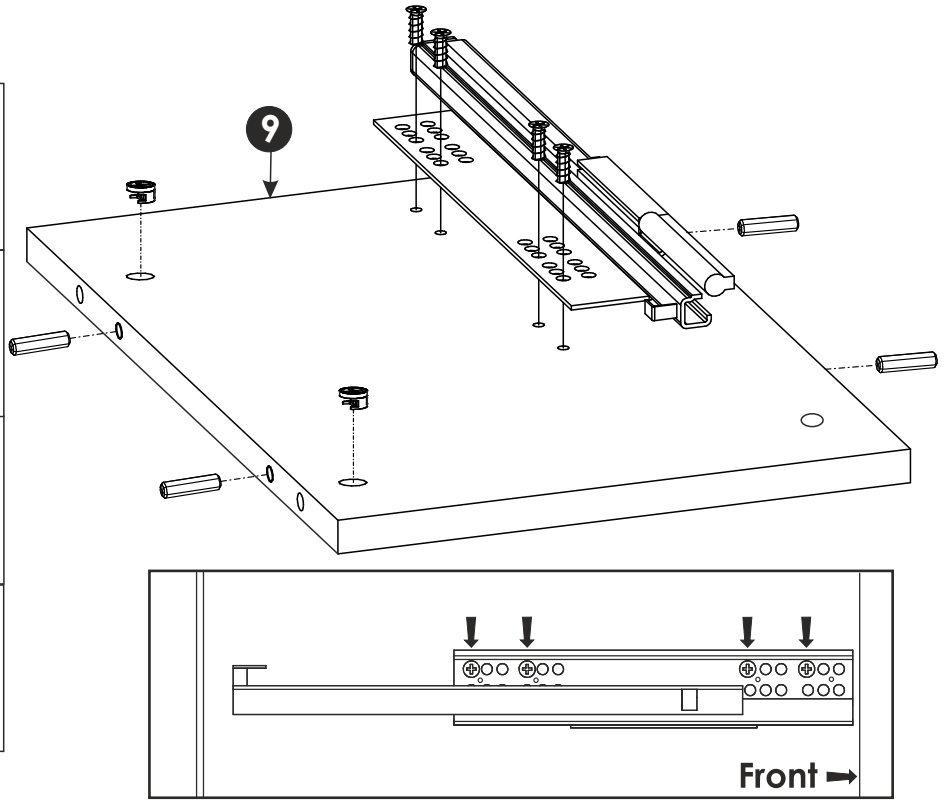
6 ▶

<p>A0 8 x 30mm x4</p> 	<p>C7 x2</p> <p>16mm</p> 	<p>D31 x4</p> <p>6,3 x 13 mm</p> 	<p>N13 x1</p> <p>L-300mm</p> 
---	--	--	--






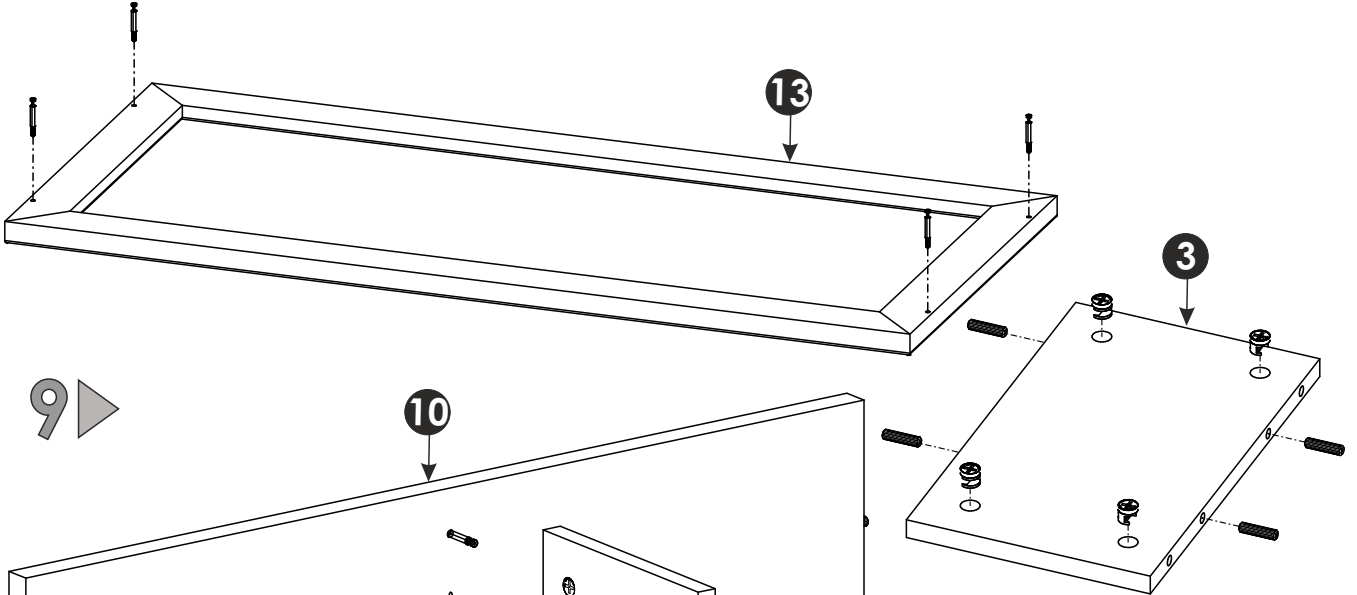
7 ▶

A0	8 x 30mm	x4
		
C7		x2
16mm		
D31	6,3 x 13 mm	x4
		
N13		x1
		L-300mm

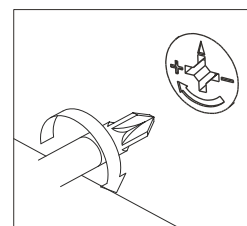
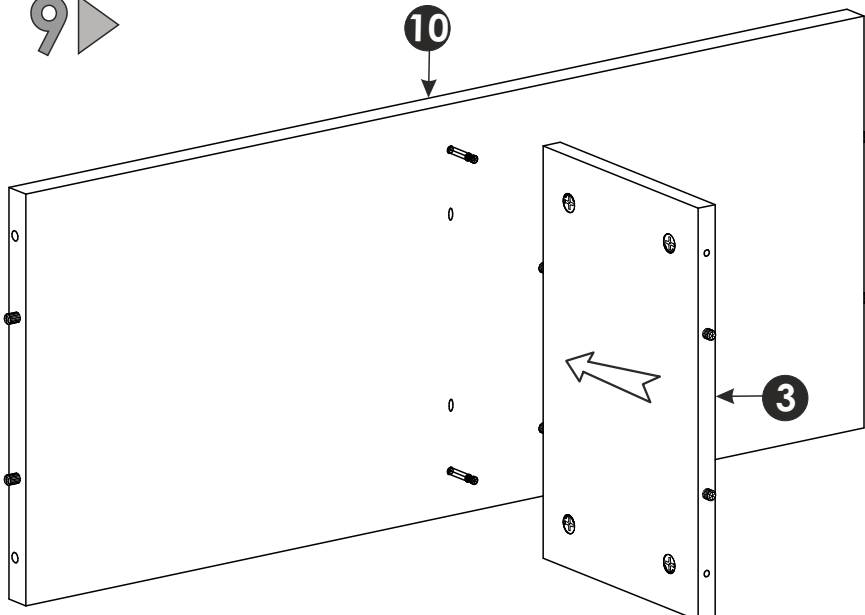


8 ▶

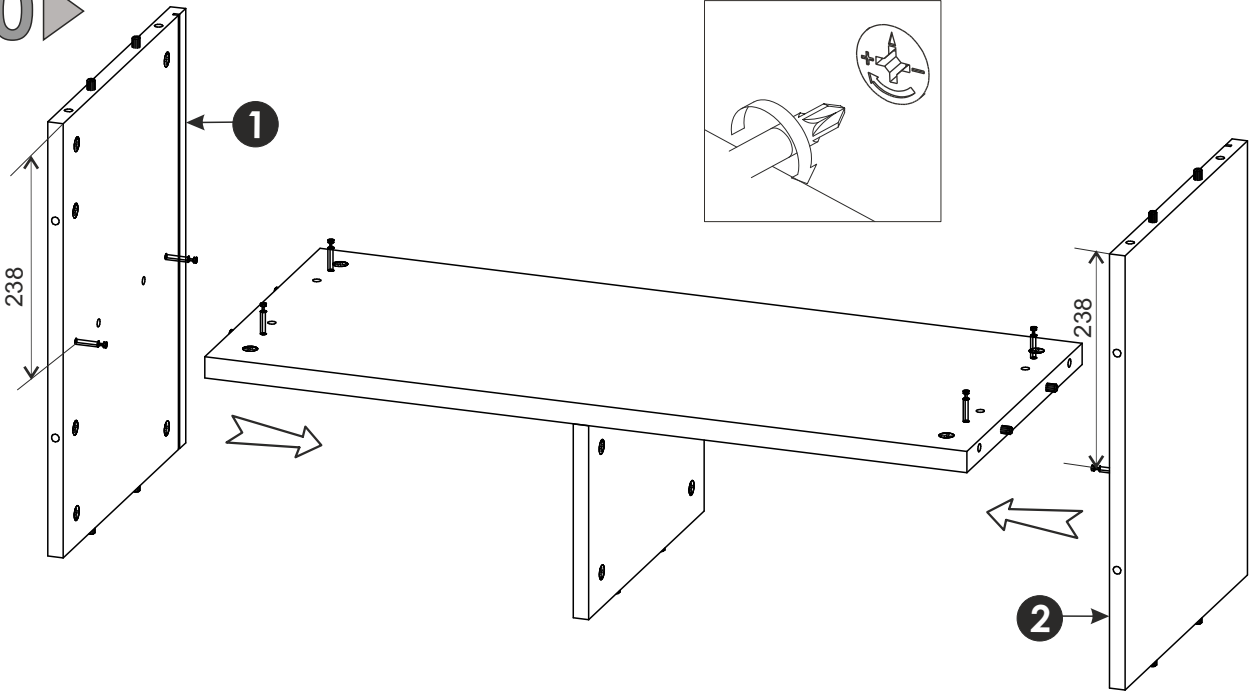
A0	8 x 30mm	x4	C2		x4	C7		x4
						16mm		



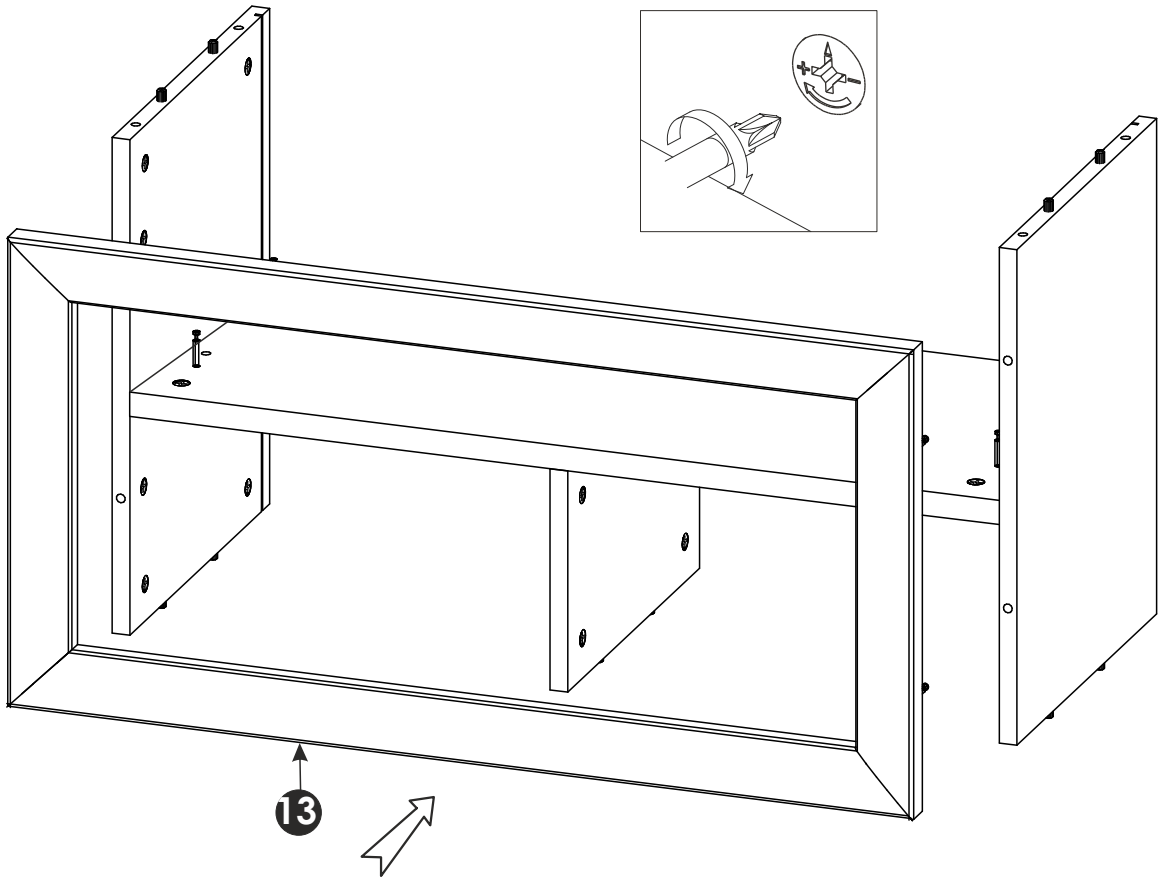
9 ▶



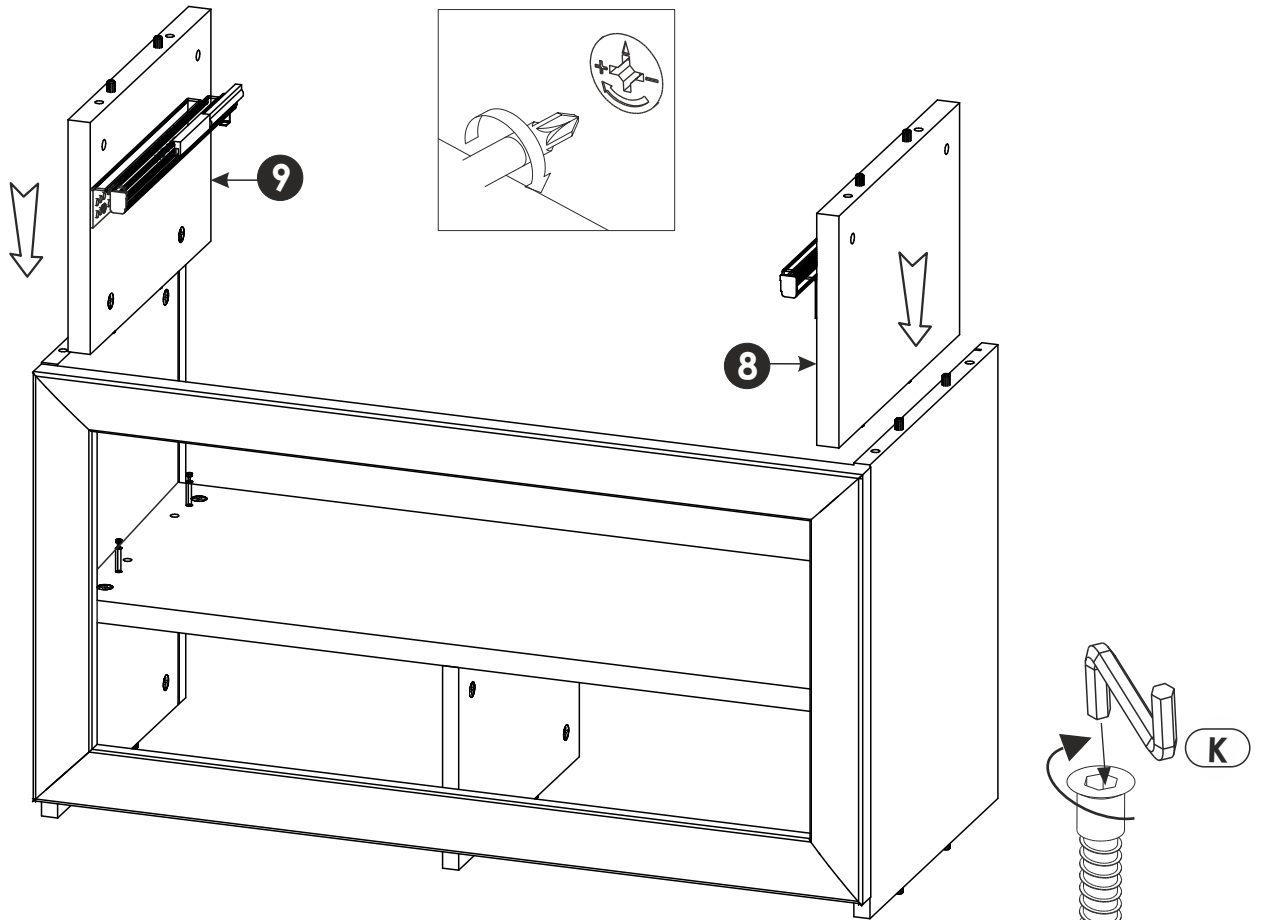
10 ▶



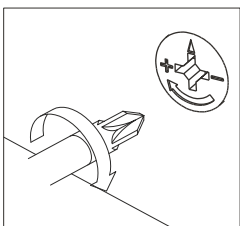
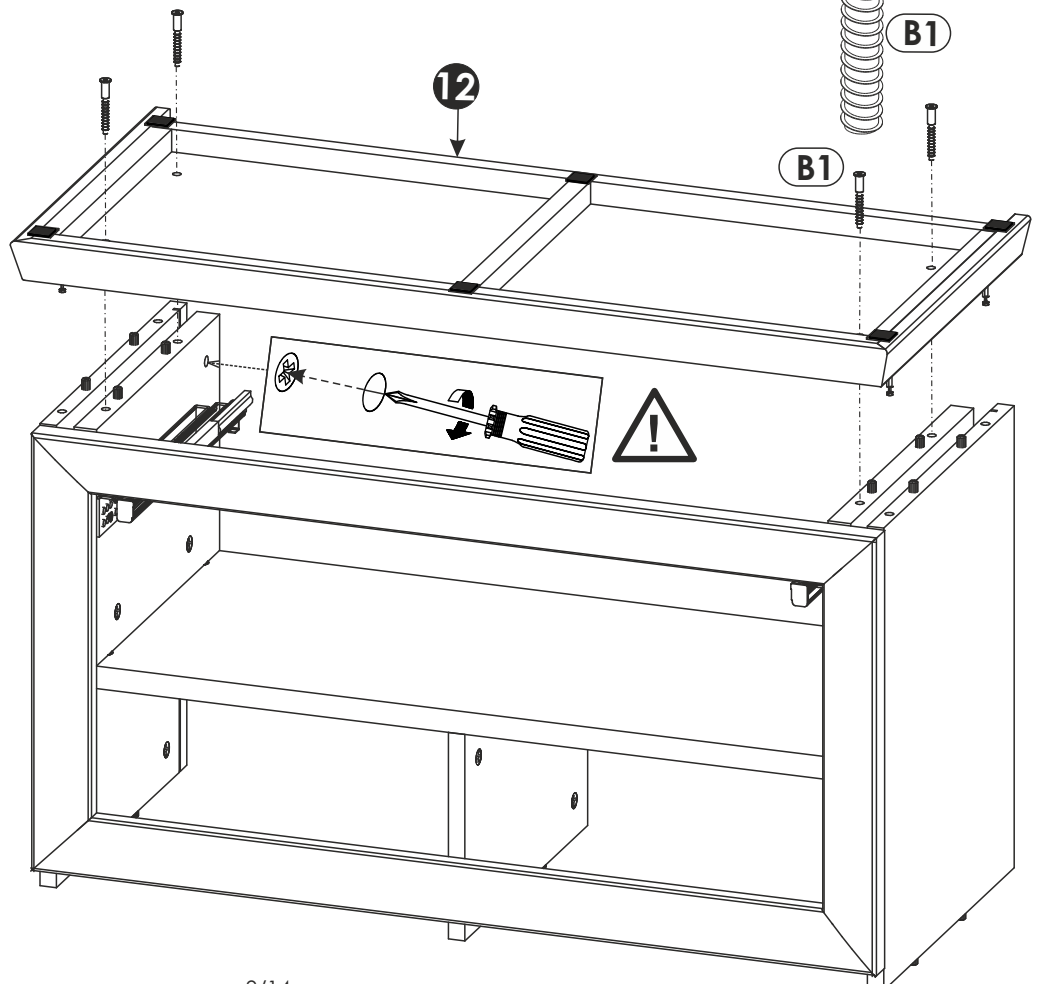
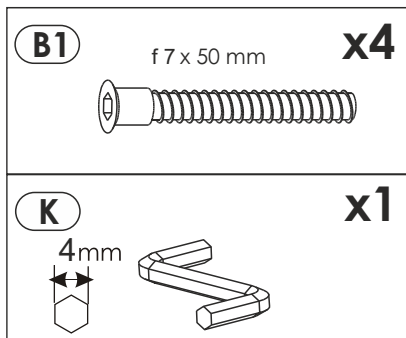
11 ▶



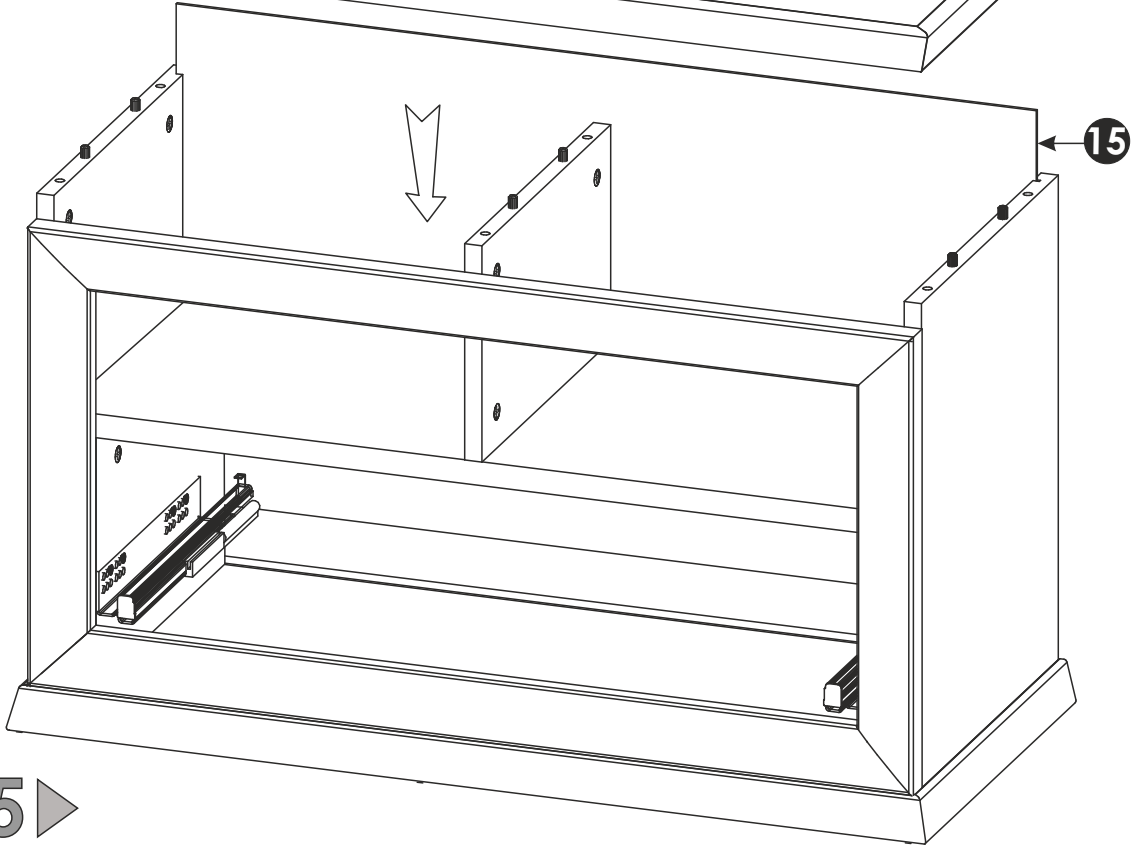
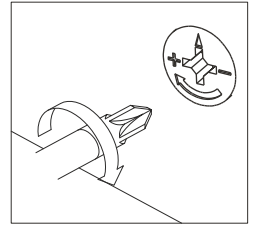
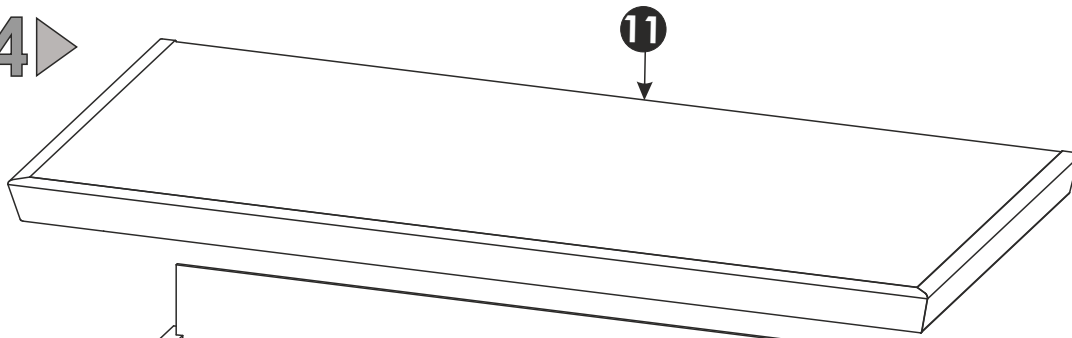
12▶



13▶

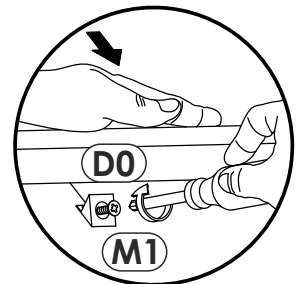
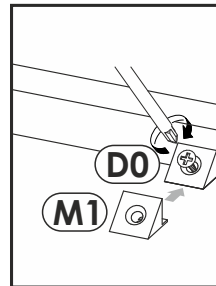
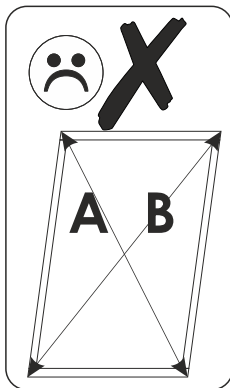
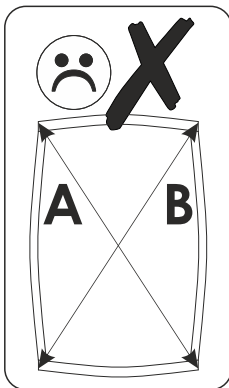
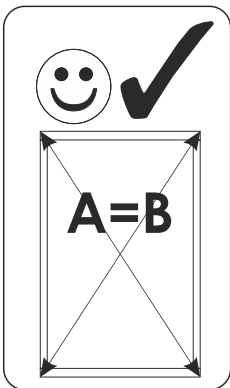


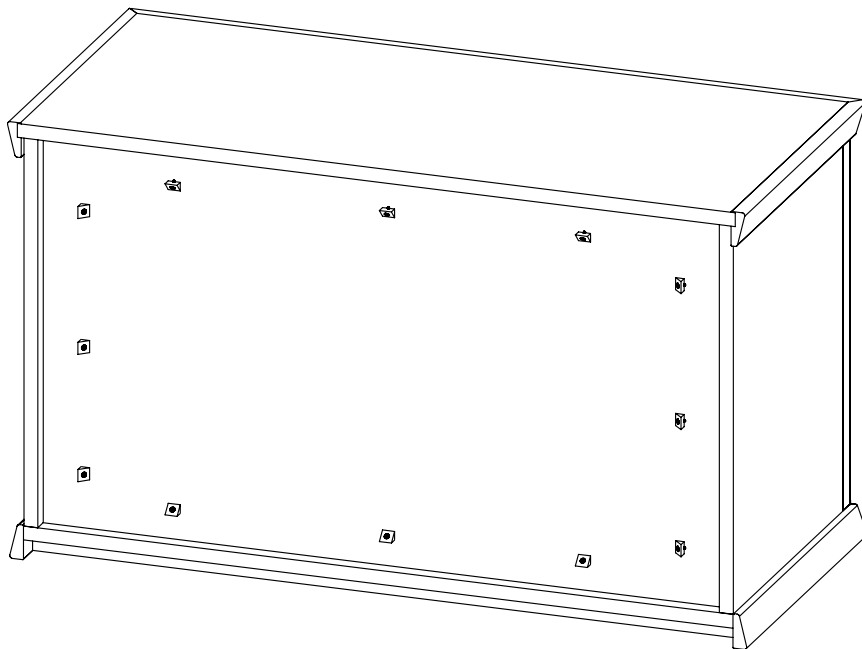
14 ▶






15 ▶

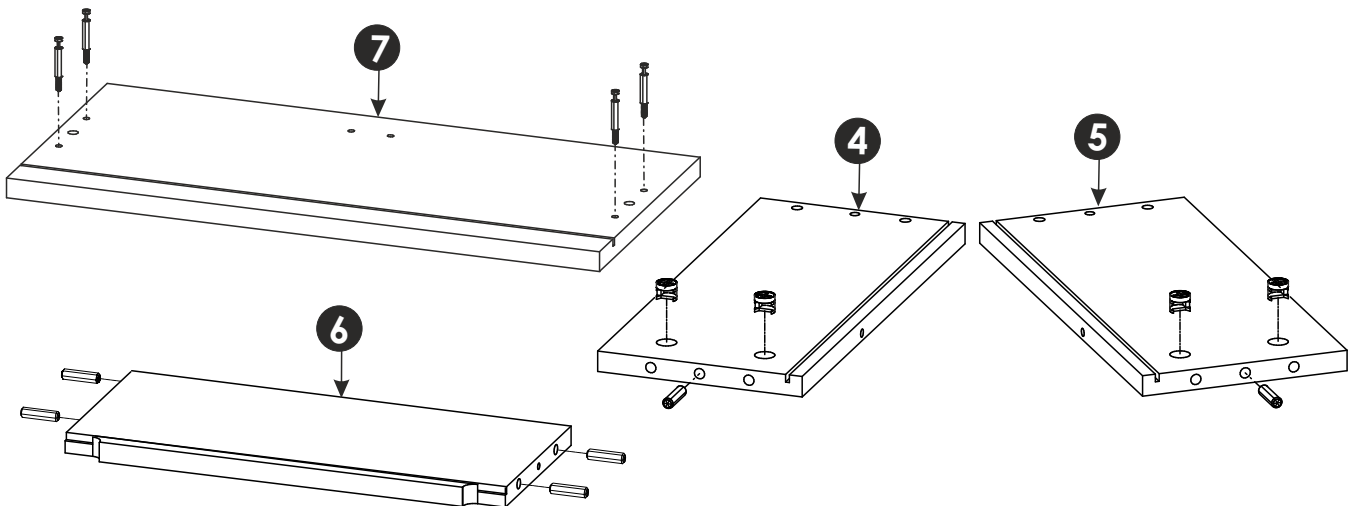
(D0)	3 x 15 mm	x12	(M1)	x12




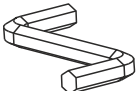


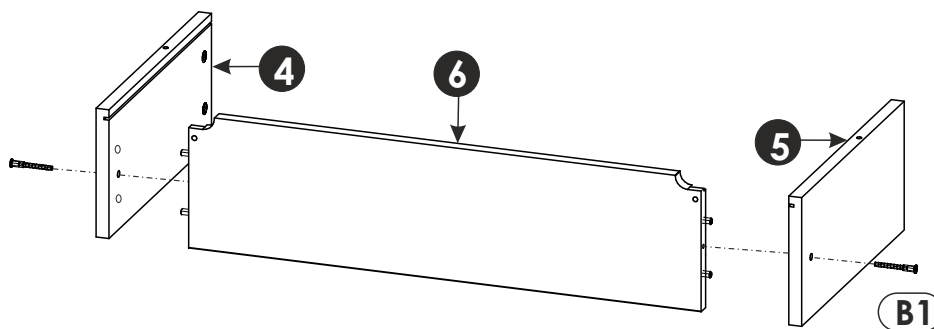
16 ▶

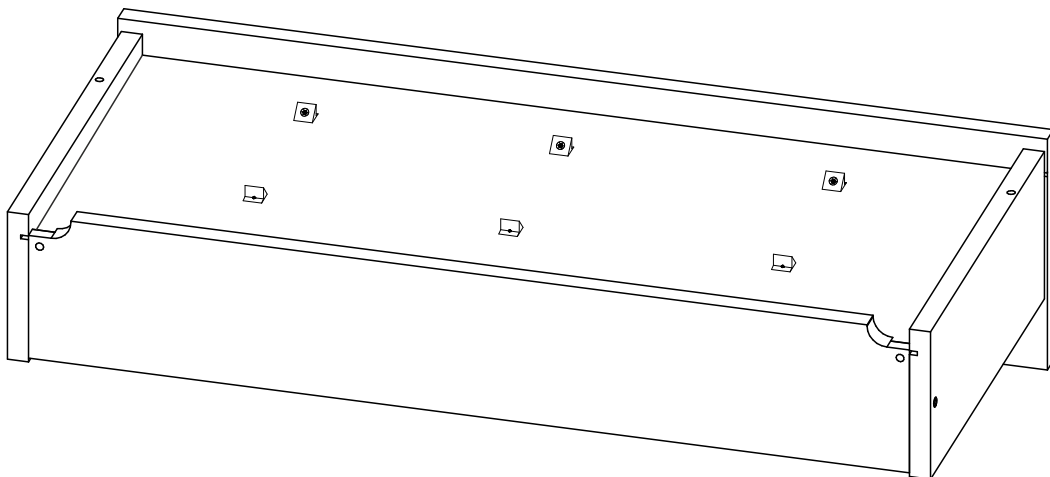
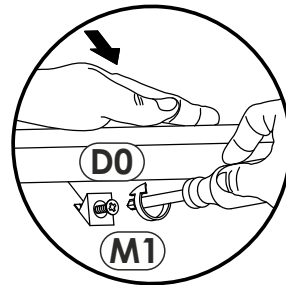
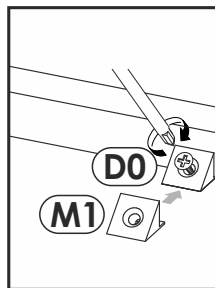
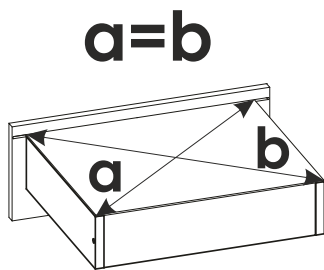
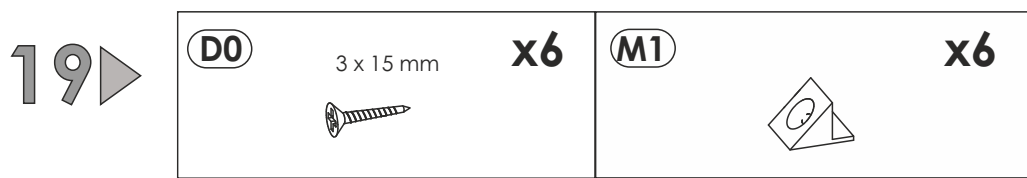
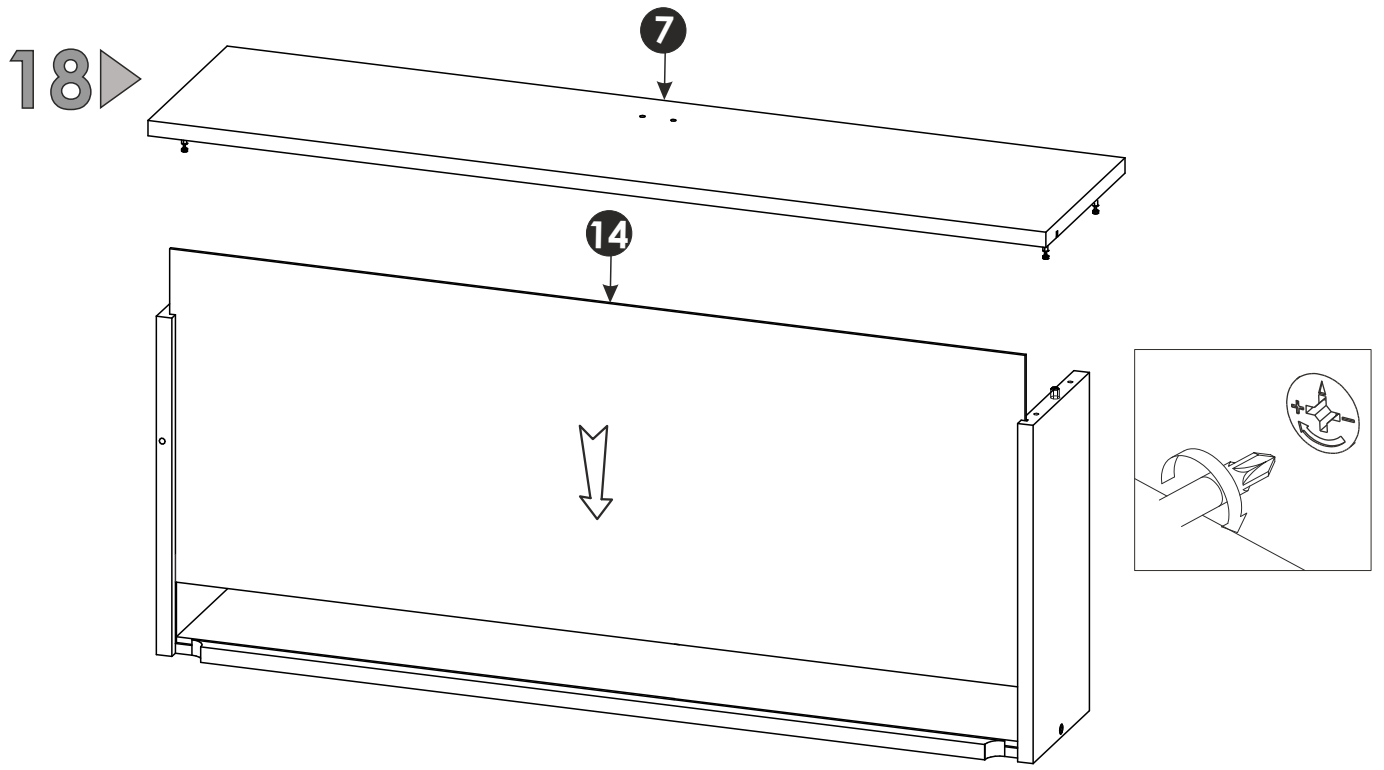
<p>A0 8 x 30mm x6</p> 	<p>C2 x4</p> 	<p>C7 x4</p> <p>16mm</p> 
---	--	--



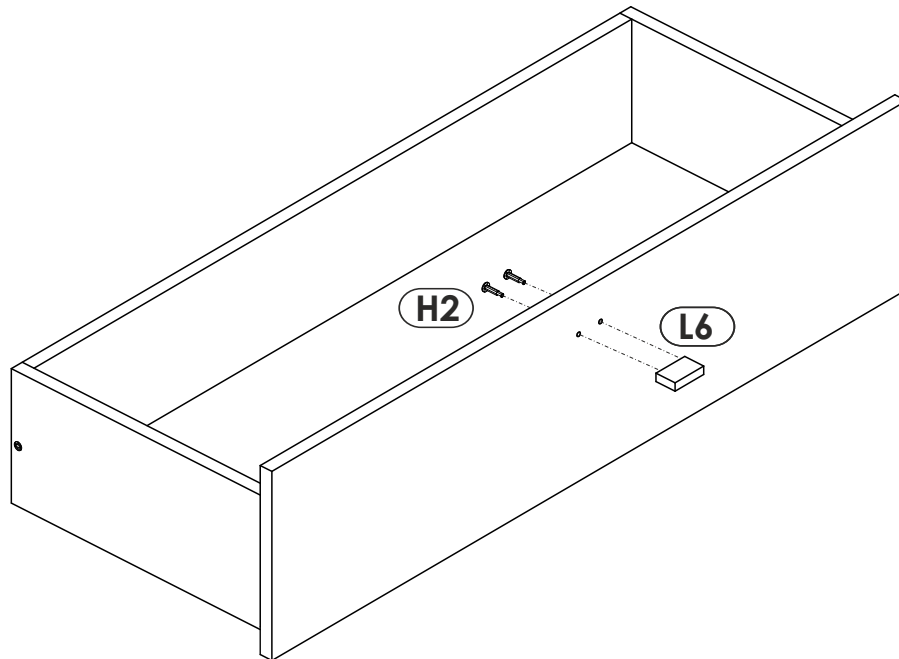
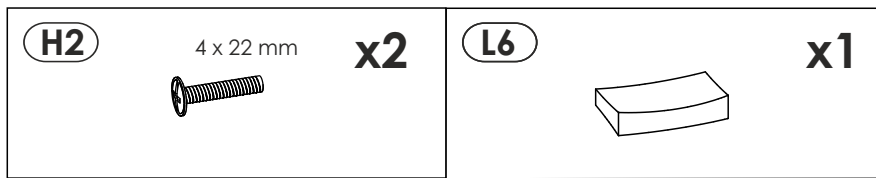
17 ▶

<p>B1 f 7 x 50 mm x2</p> 	<p>K x1</p> <p>4mm</p> 
--	---

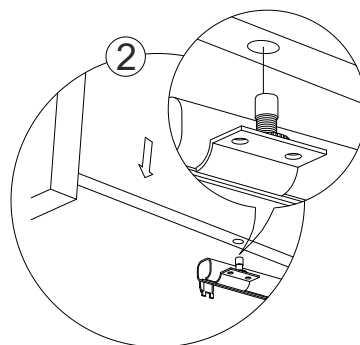
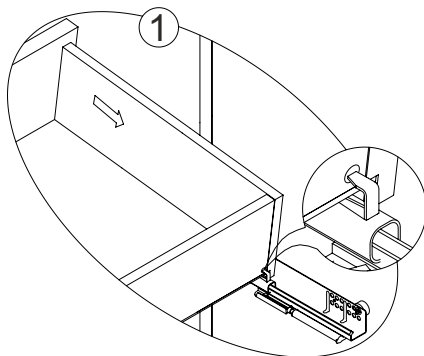
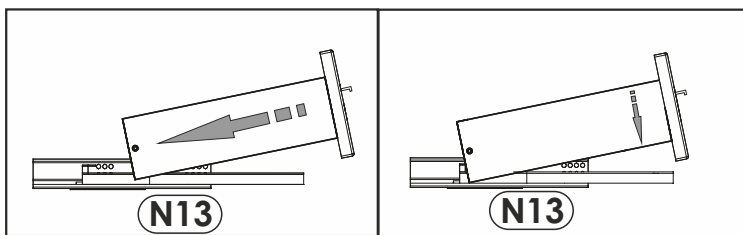
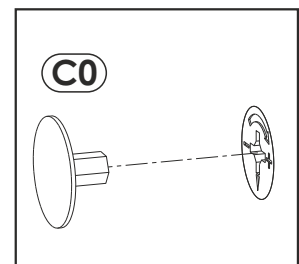
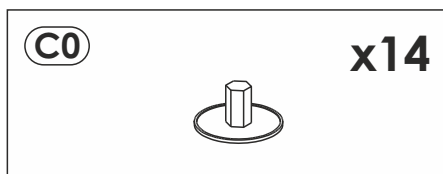


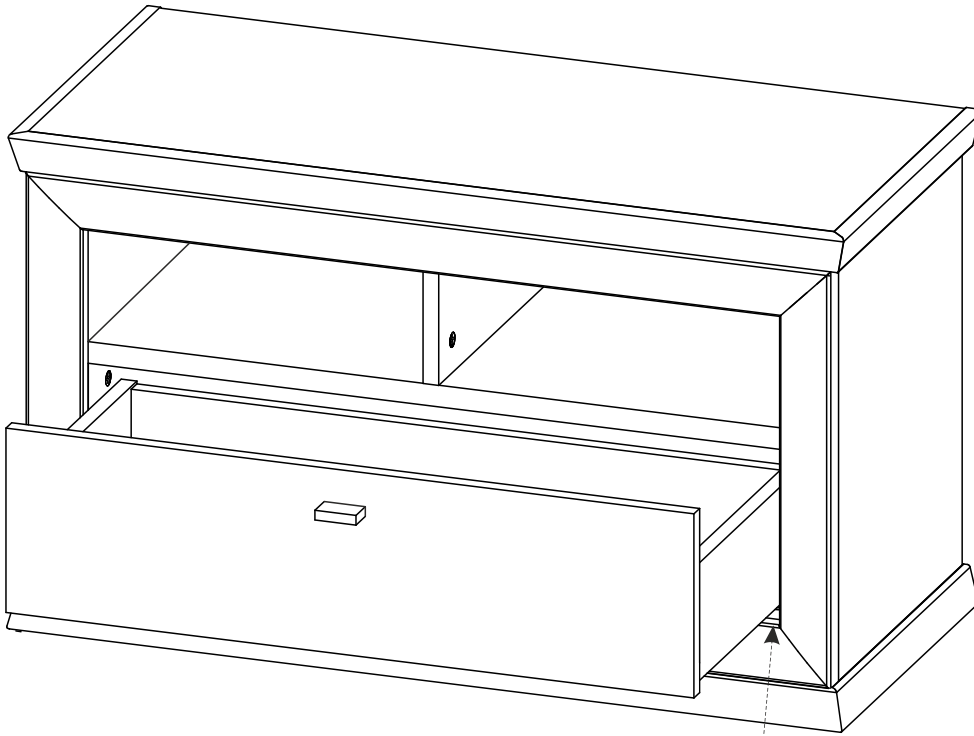


20▶

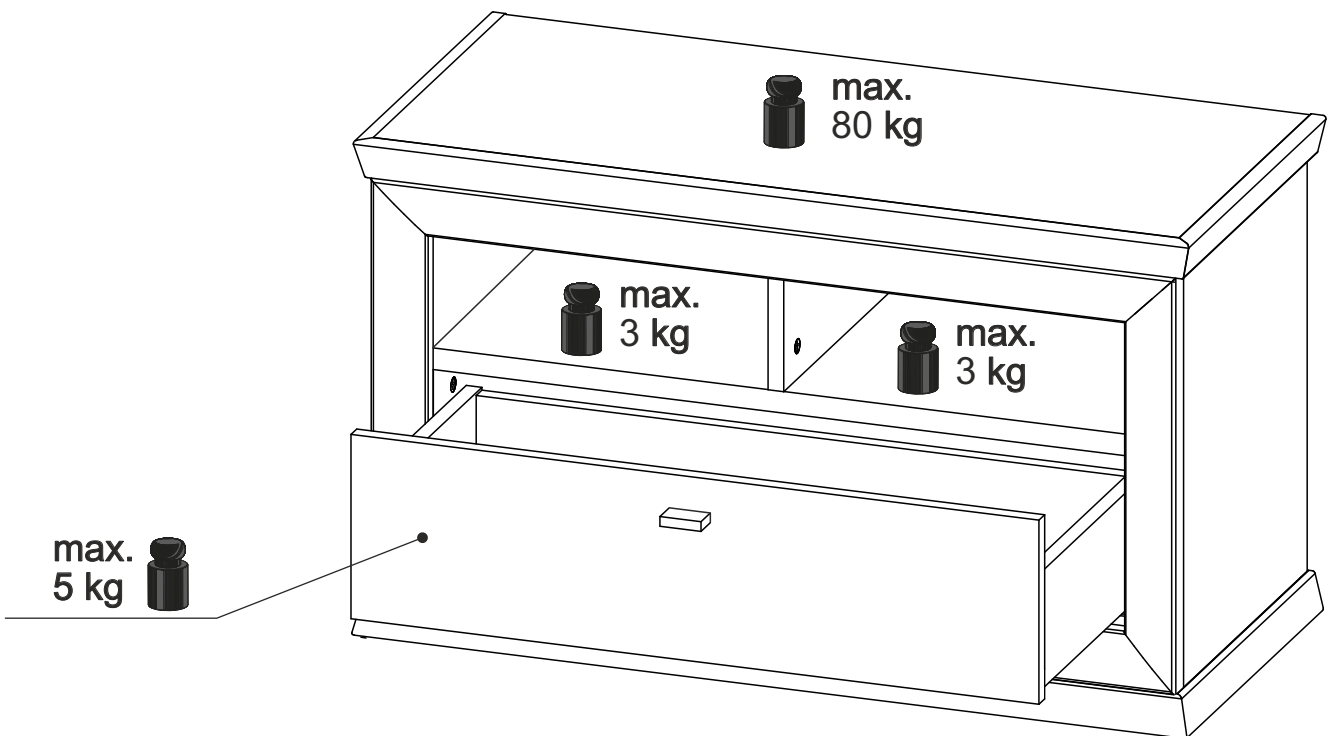
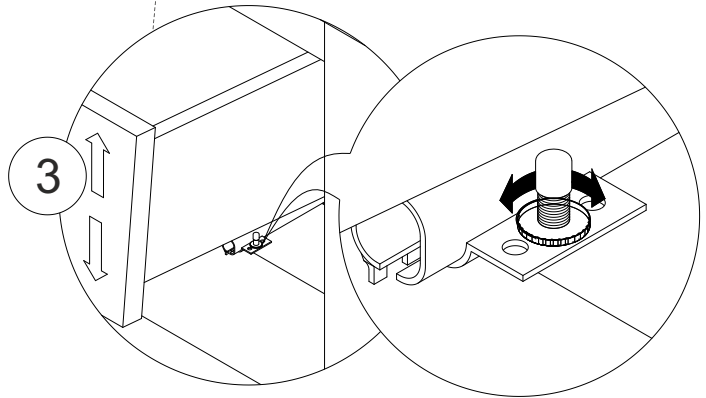


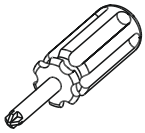
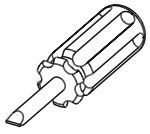
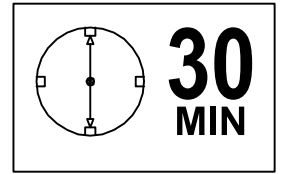
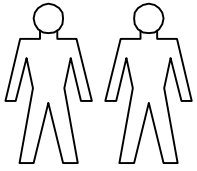
21▶



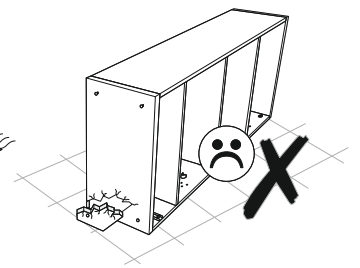
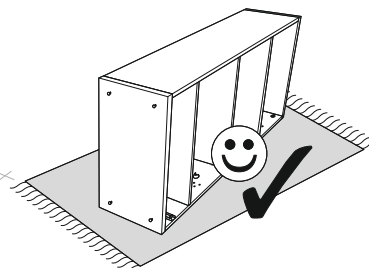
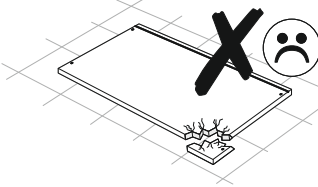
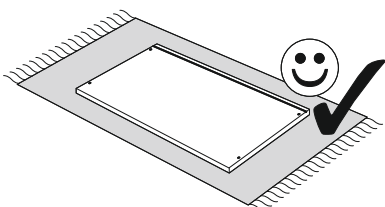
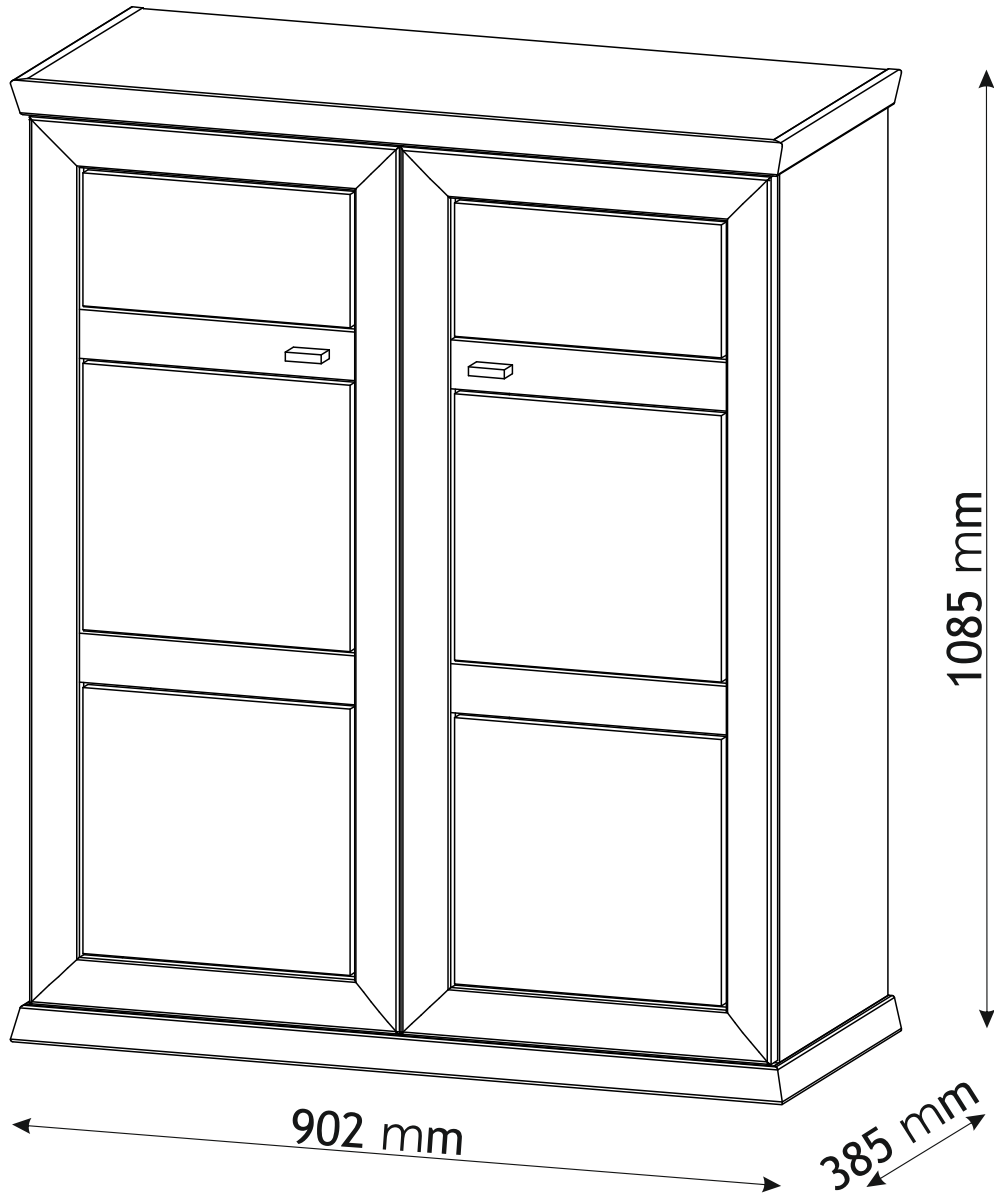
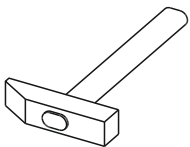


22▶





Ø8



MM

260

250

240

230

220

210

200

190

180

170

160

150

140

130

120

110

100

90

80

70

60

50


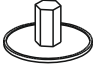
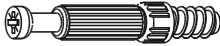


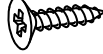

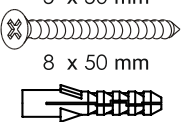

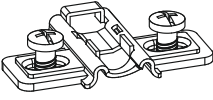
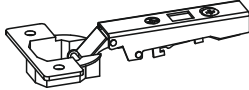

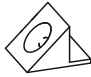
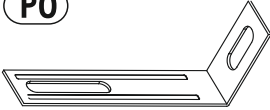
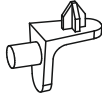

40

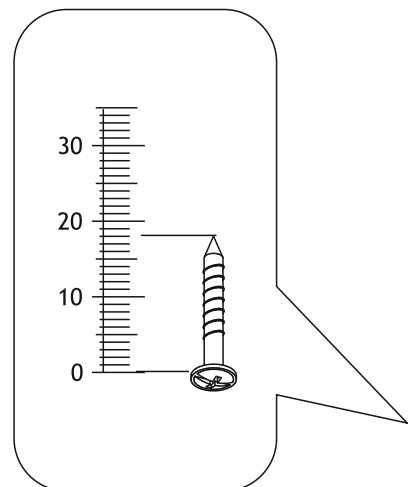
30


20

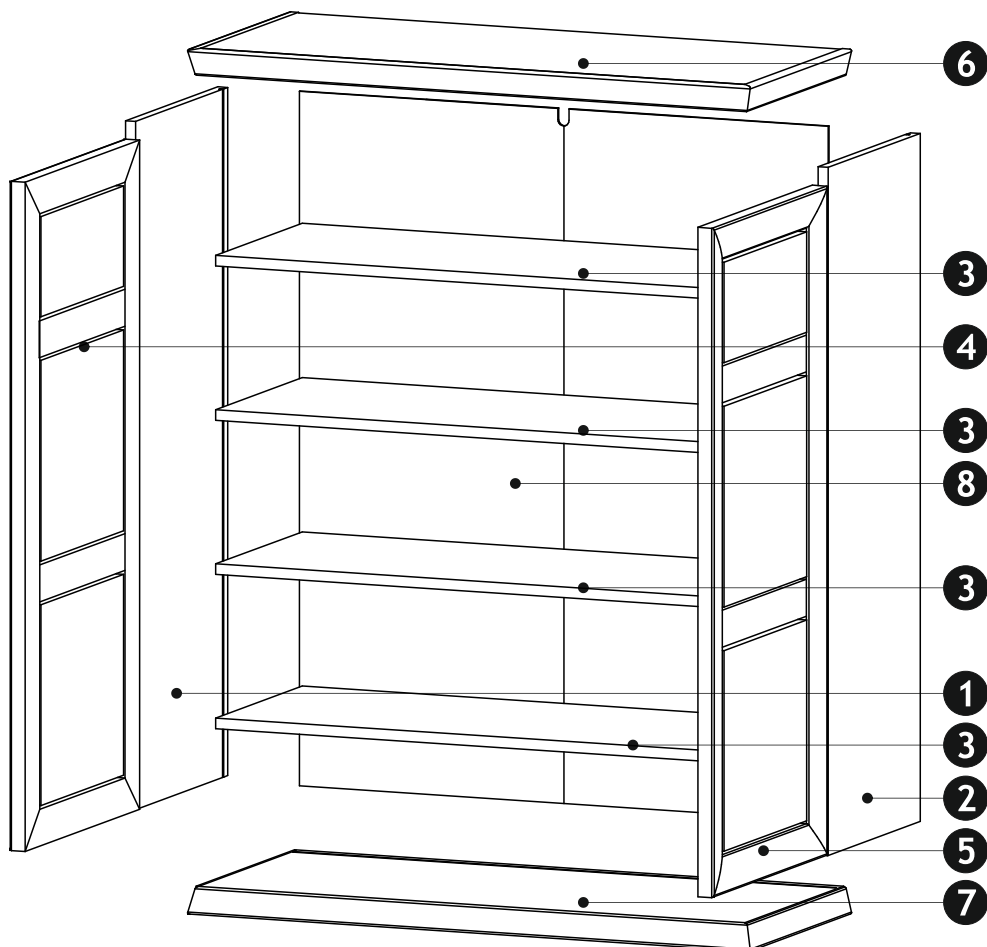
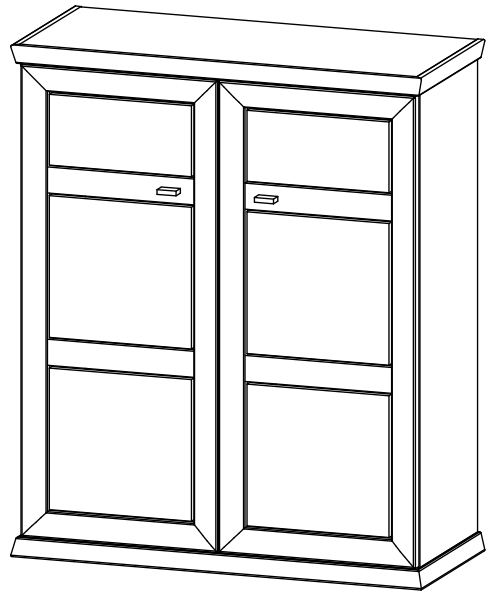
10

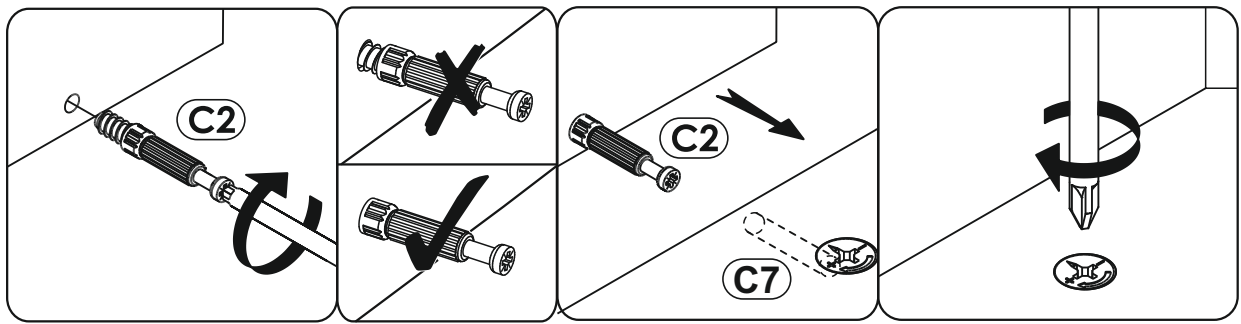
0

A0 8 x 30mm x8 	C0 x8 	C2 x8 
C7 x8 16mm 	D0 3 x 15 mm x16 	D10 4 x 16 mm x8 
D21 5 x 13 mm x1 	E0 x1 5 x 50 mm 8 x 50 mm 	H2 4 x 22 mm x4 
J3 x4 	J10 x4 	L6 x2 
M1 x16 	P0 x1 	Q3 x16 
U2 x4 		


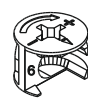
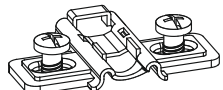
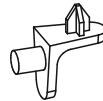


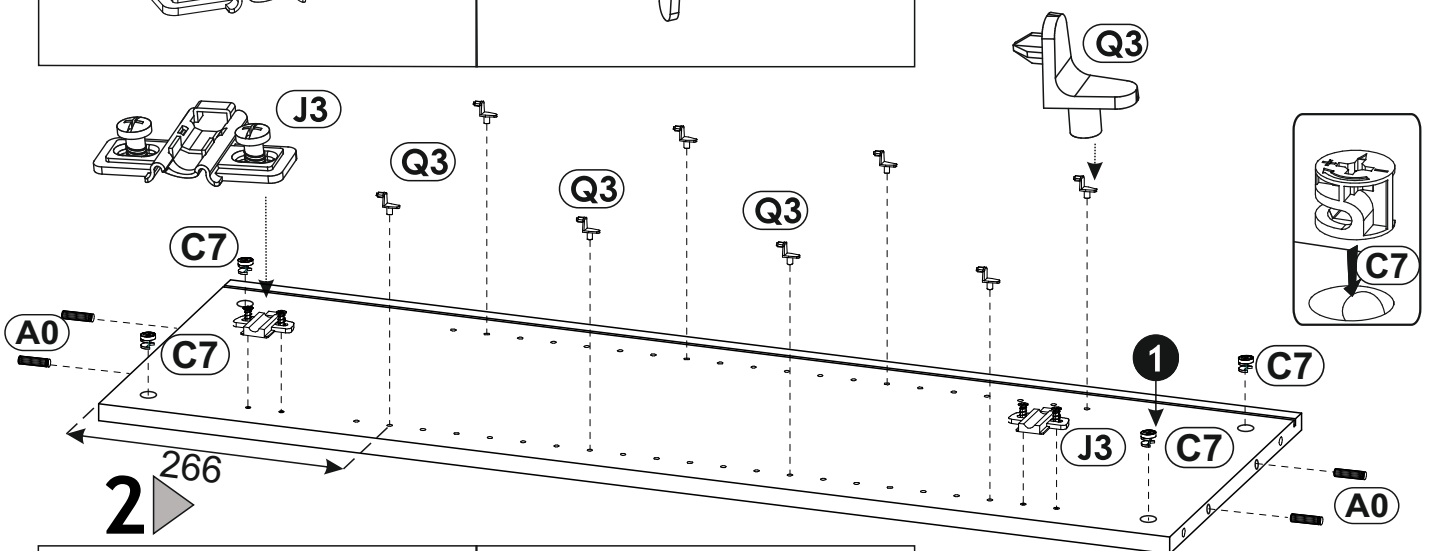
1	1028	348	16	x1	1/3
2	1028	348	16	x1	1/3
3	838	328	16	x4	1/3
4	1000	432	25	x1	3/3
5	1000	432	25	x1	3/3
6	902	385	40	x1	2/3
7	902	385	40	x1	2/3
8	1038	848	2,8	x1	3/3
					1/3





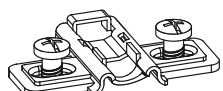
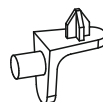


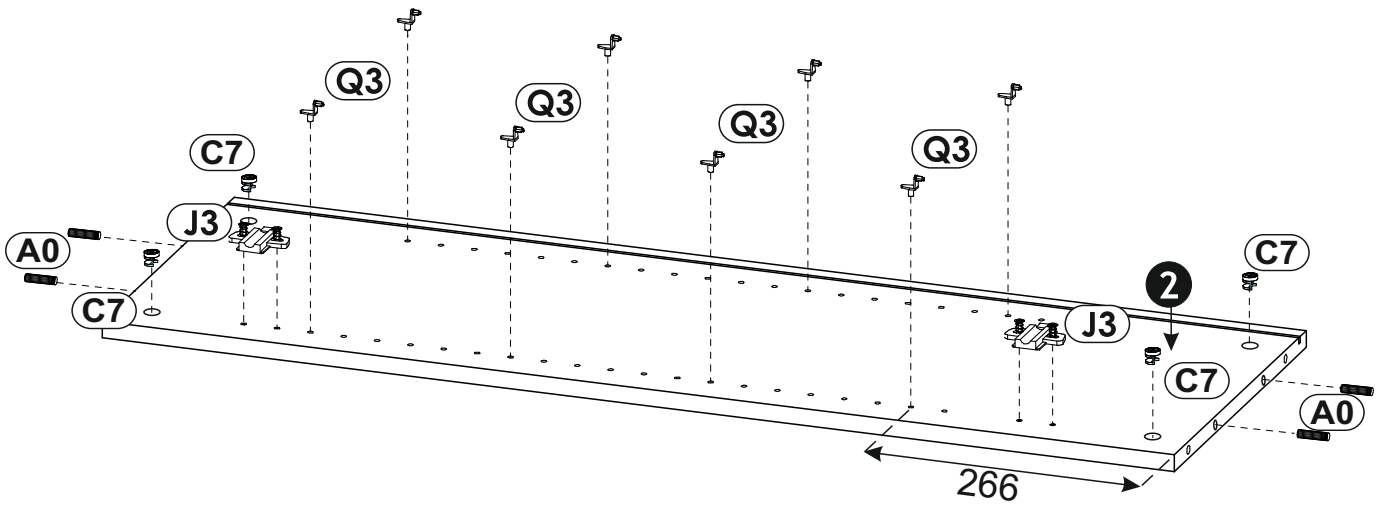
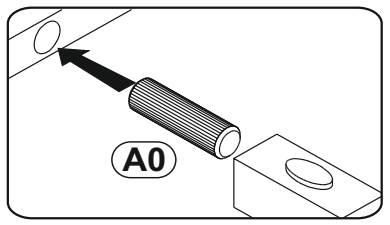
1

(A0) 8 x 30mm 	x4	(C7) 16mm 	x4
(J3) 	x2	(Q3) 	x8



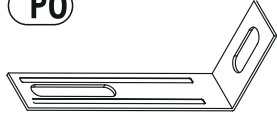


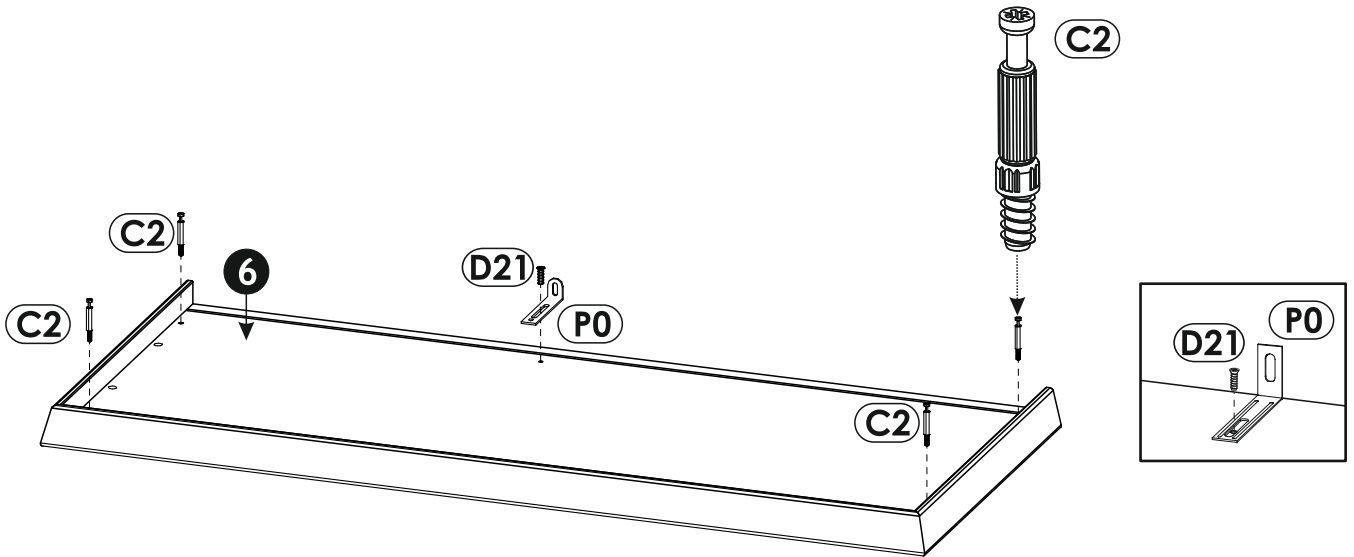
2

(A0) 8 x 30mm 	x4	(C7) 16mm 	x4
(J3) 	x2	(Q3) 	x8





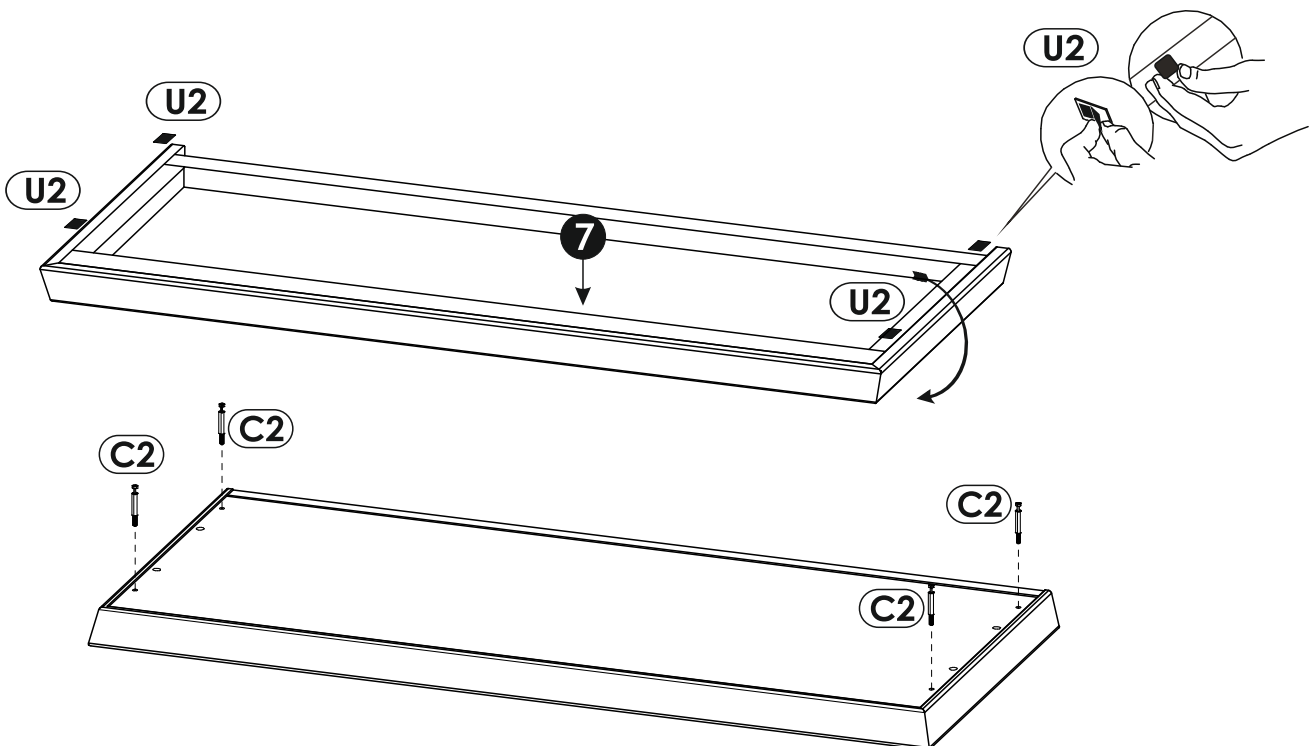
3 ▶

C2 	x4	D21 5 x 13 mm 	x1	P0 	x1
--	-----------	--	-----------	--	-----------



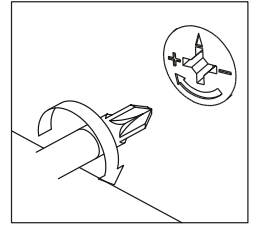
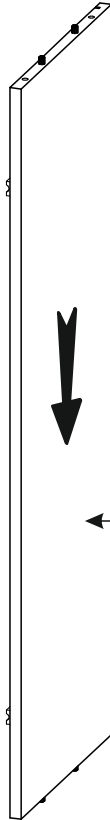
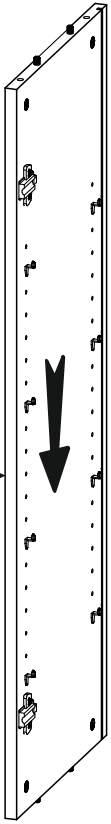
4 ▶

C2 	x4	U2 	x4
--	-----------	--	-----------

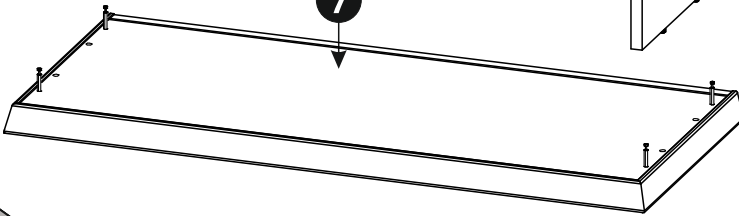


5 ▶

1 →

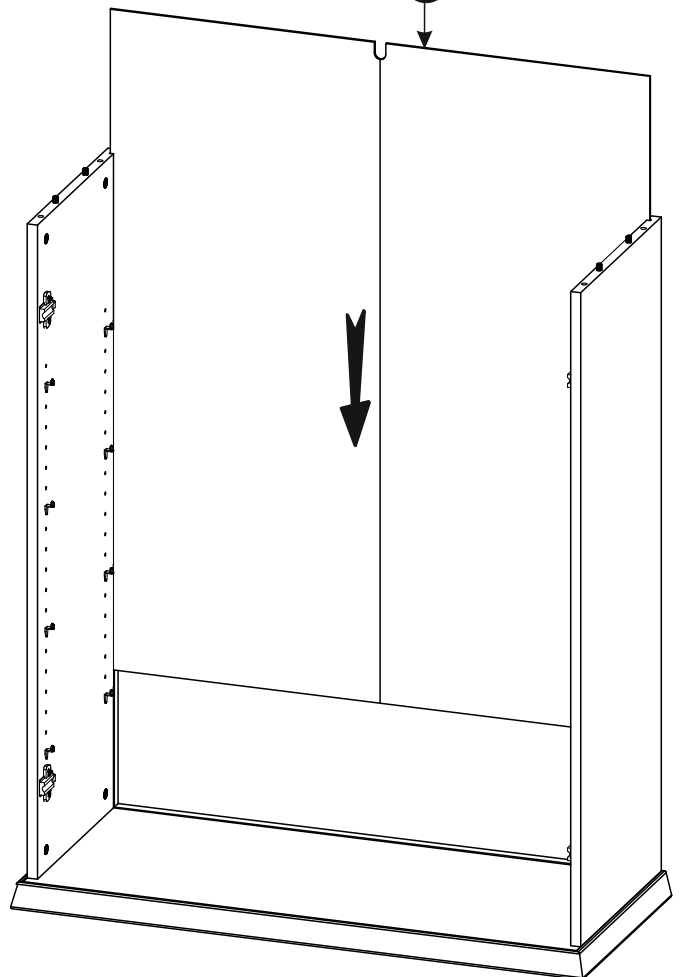


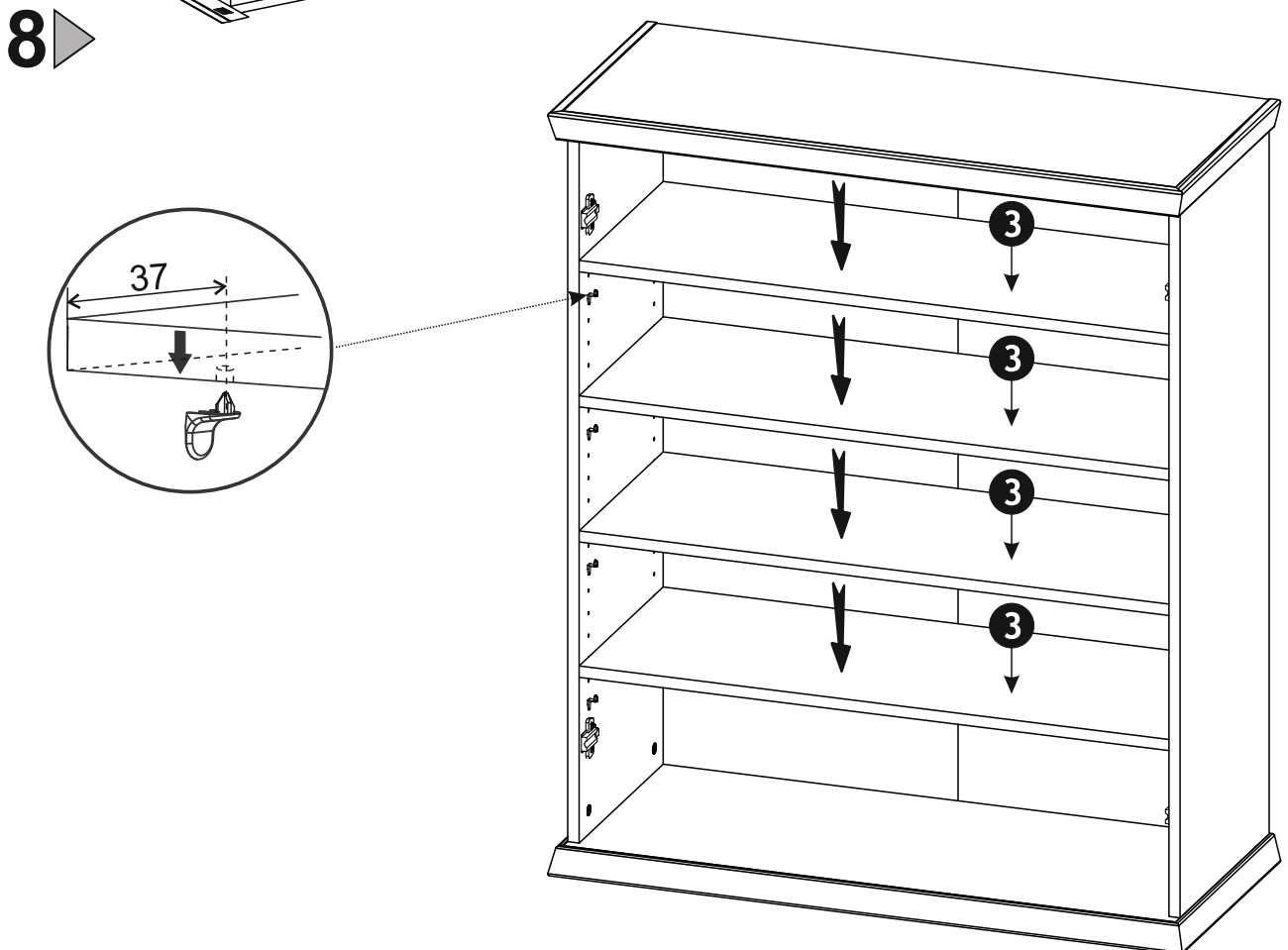
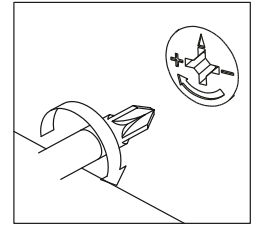
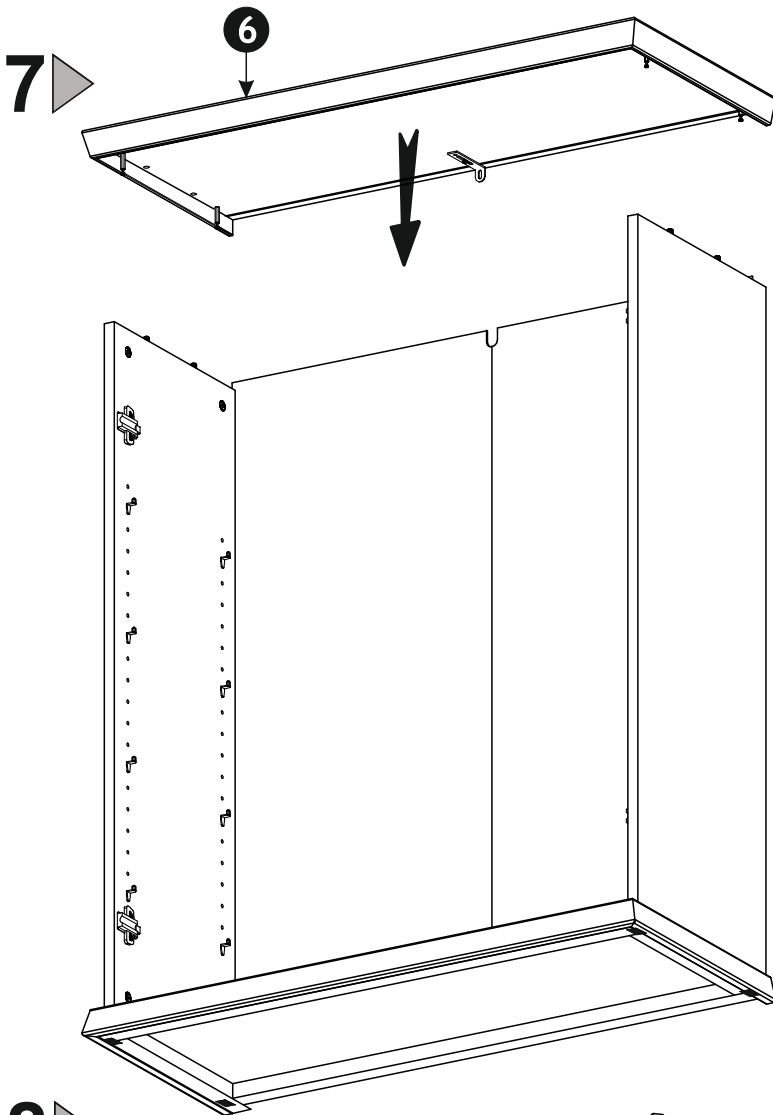
7 ↓





6 ▶

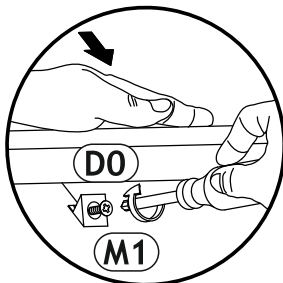
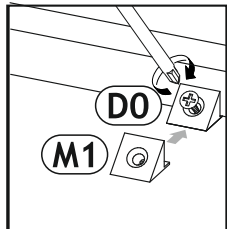
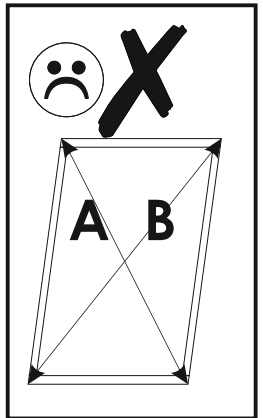
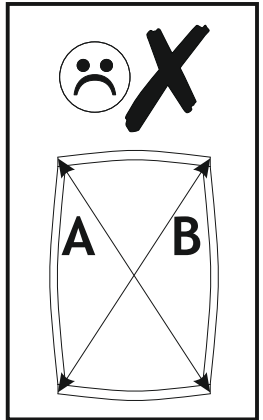
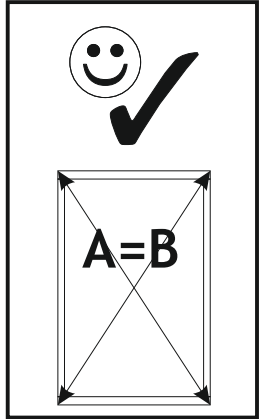
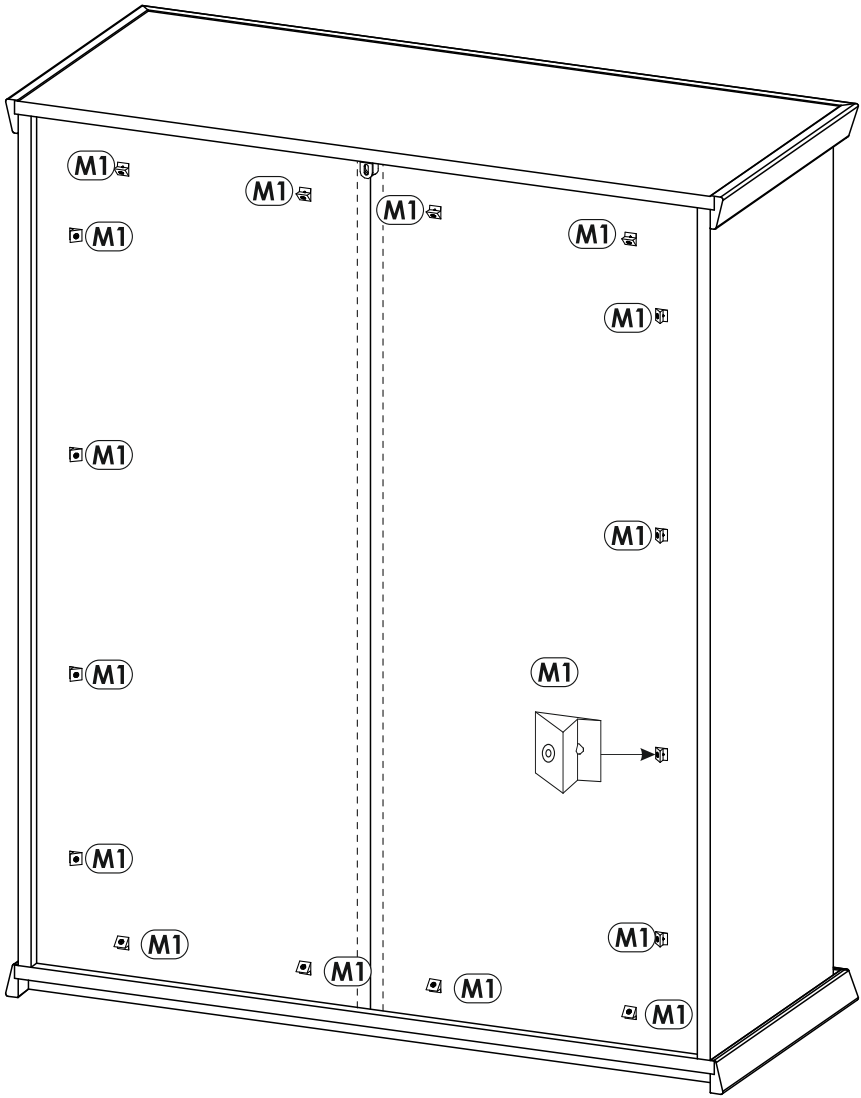
8 ↓





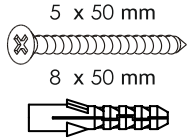
9 ▶

(D0) 3 x 15 mm 	x16	(M1) 	x16
---	------------	--	------------

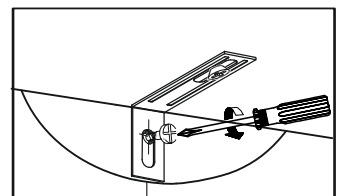
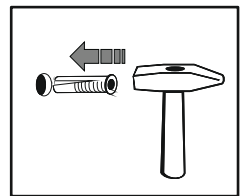
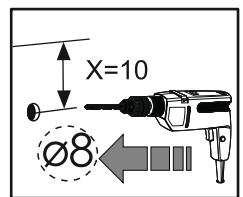
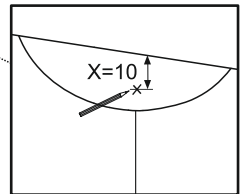
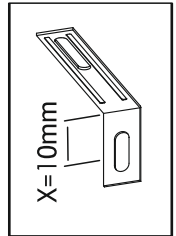
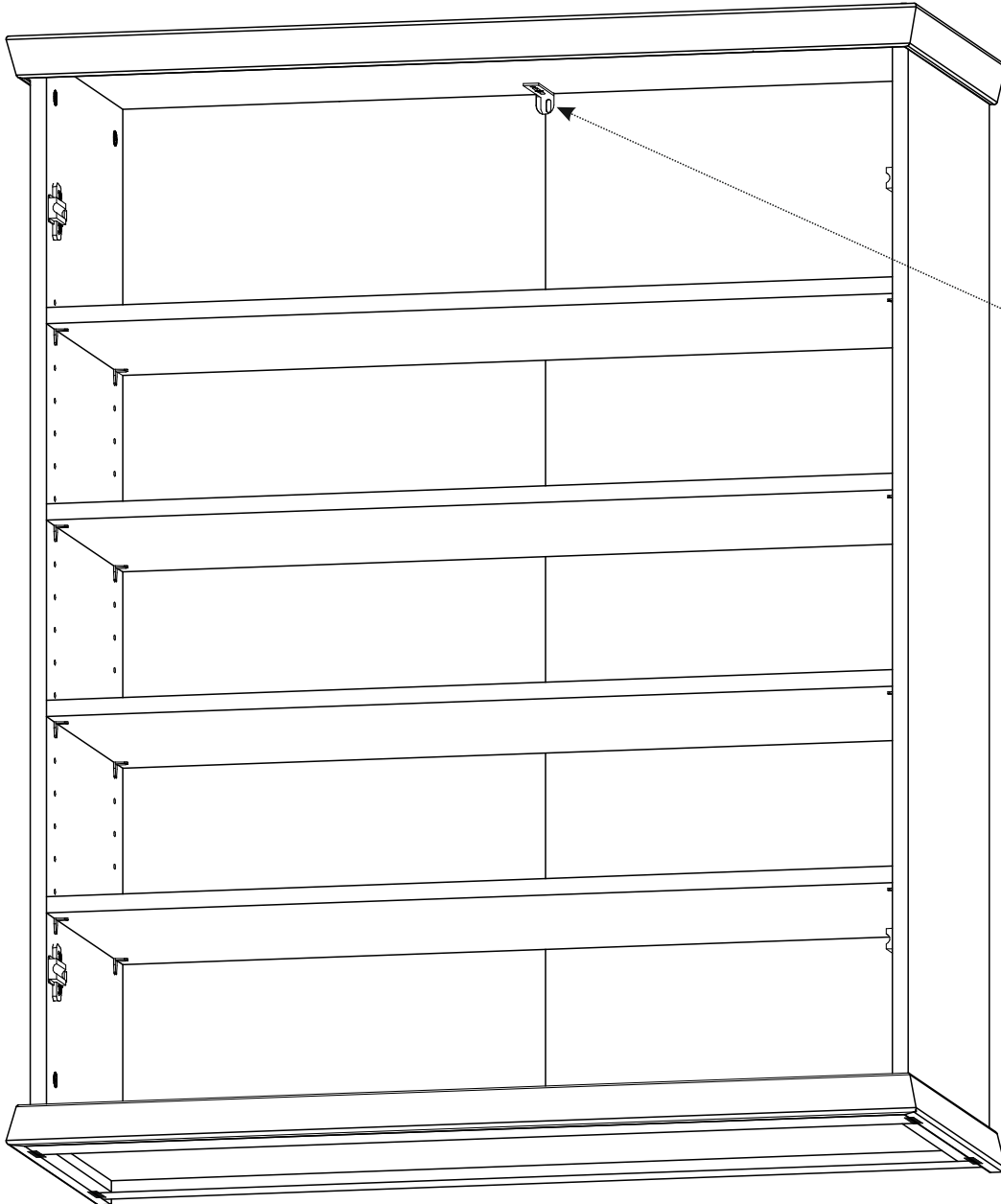
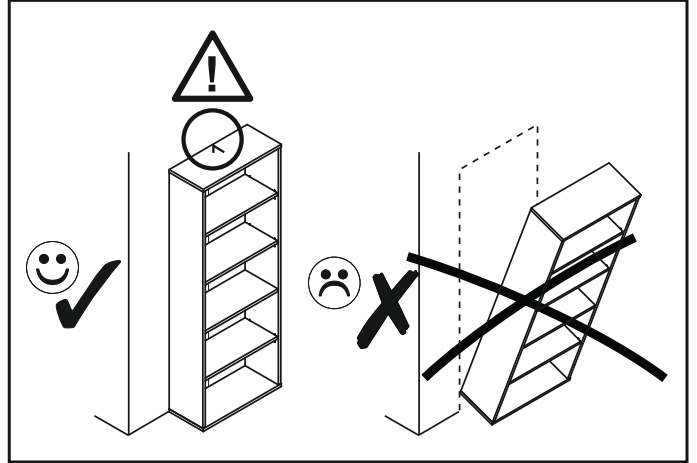
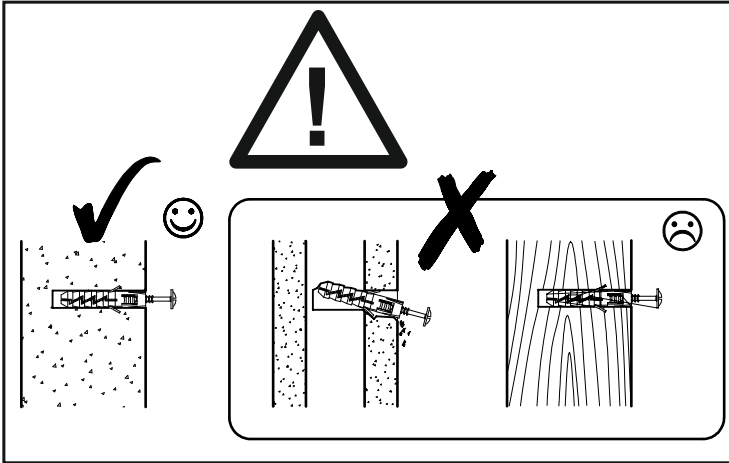


10 ▶

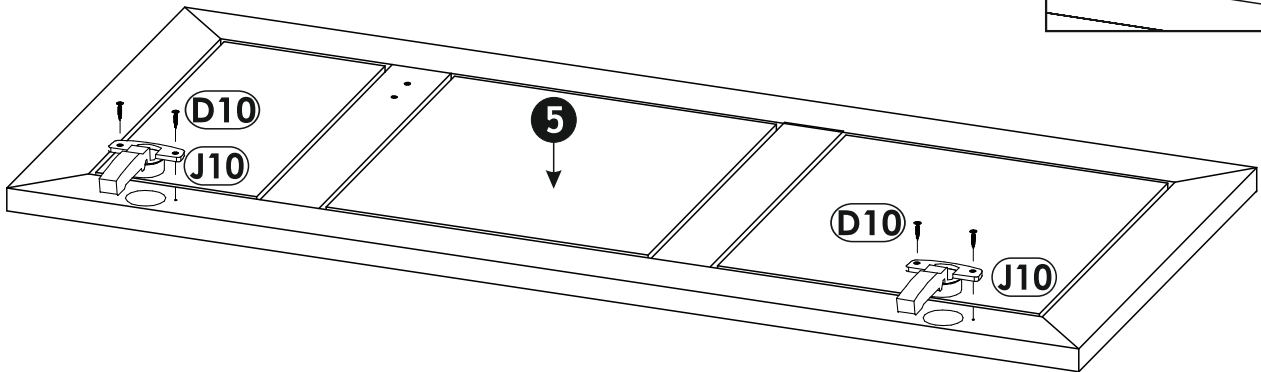
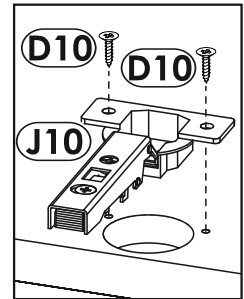
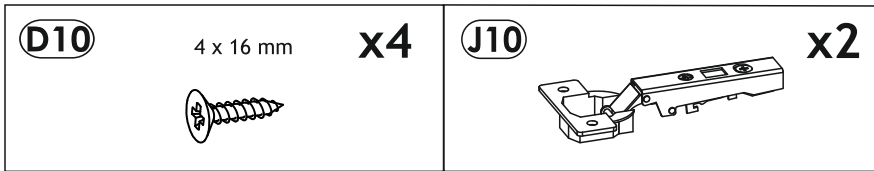
EO



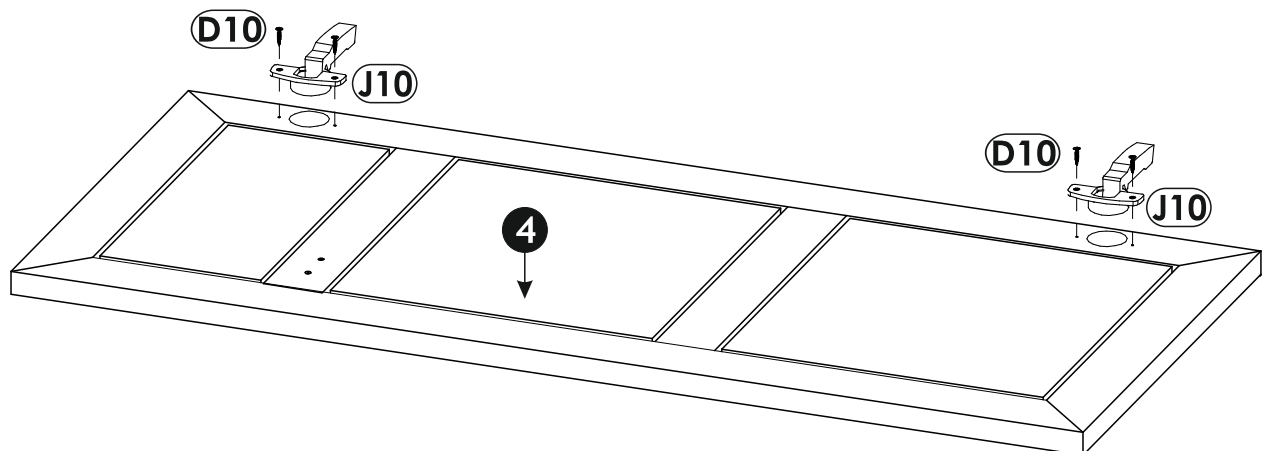
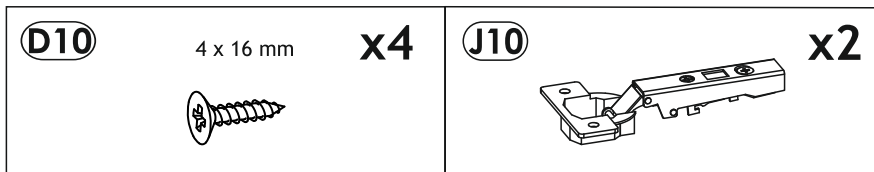
x1



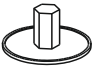


11 ▶

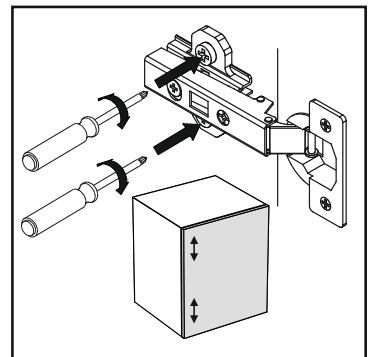
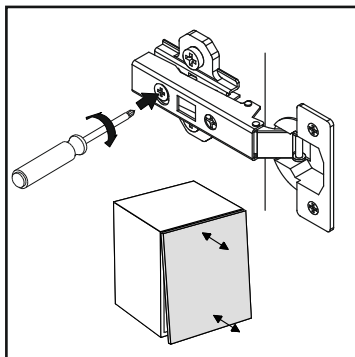
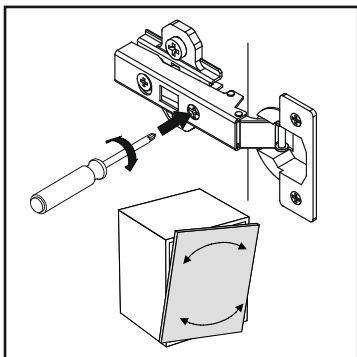
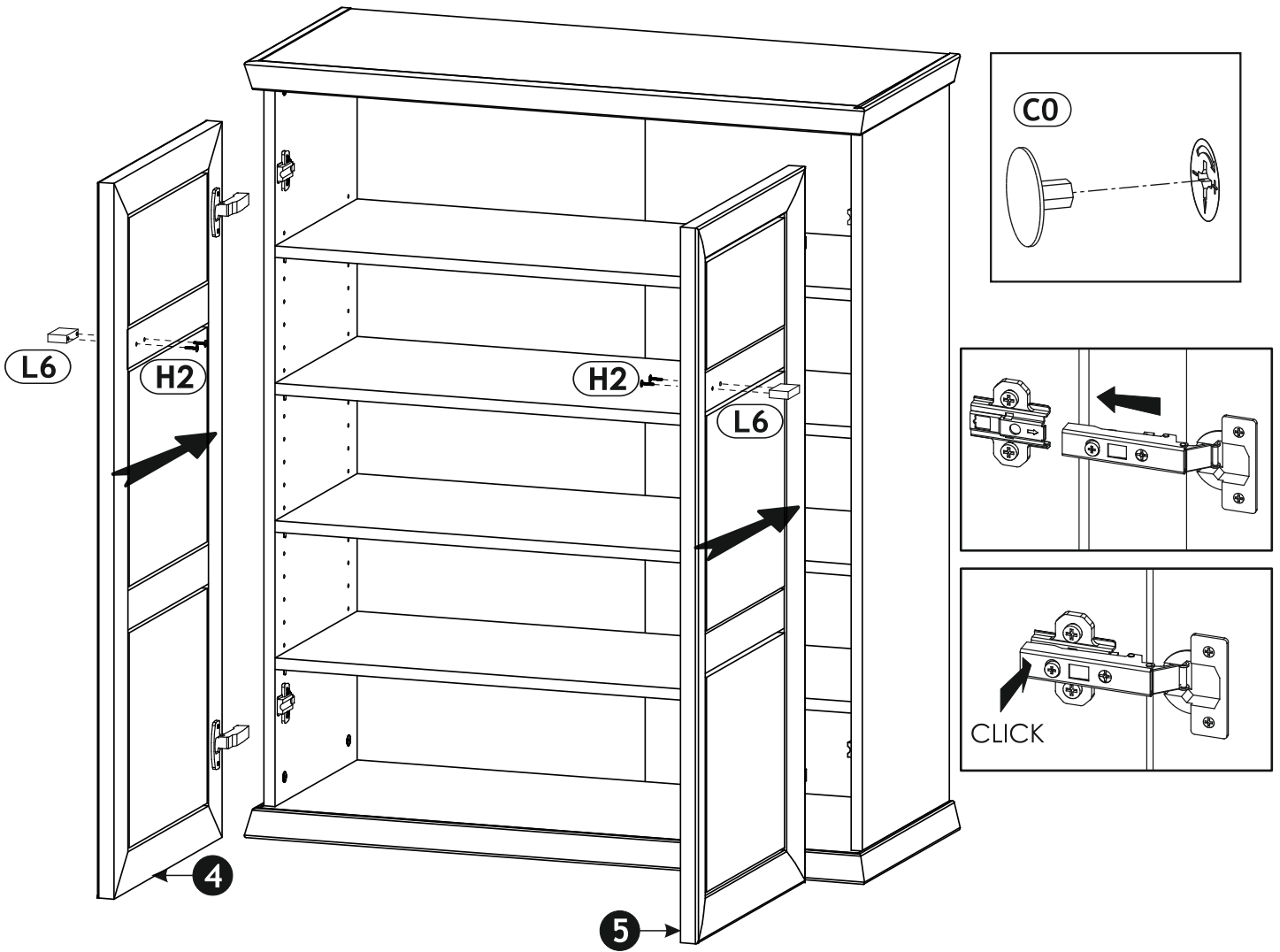


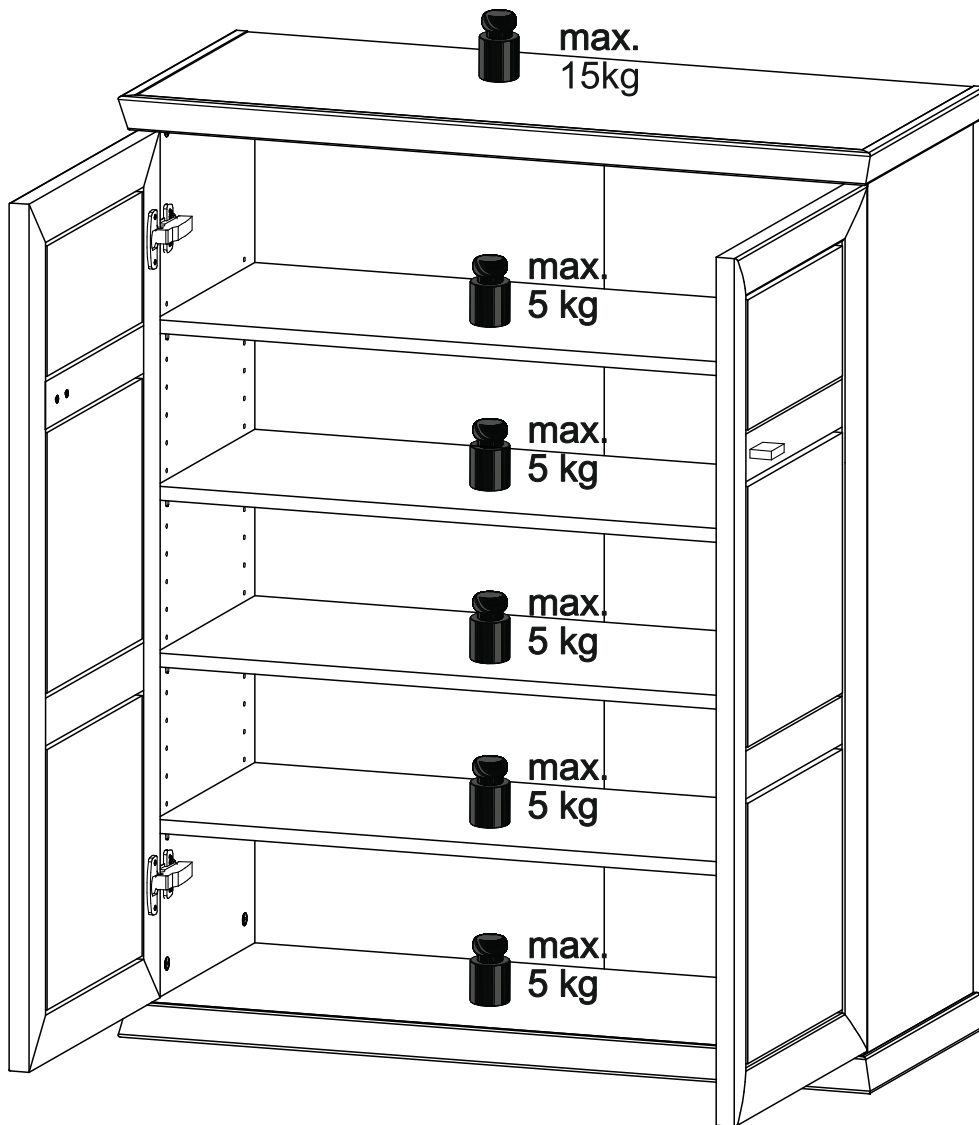
12 ▶

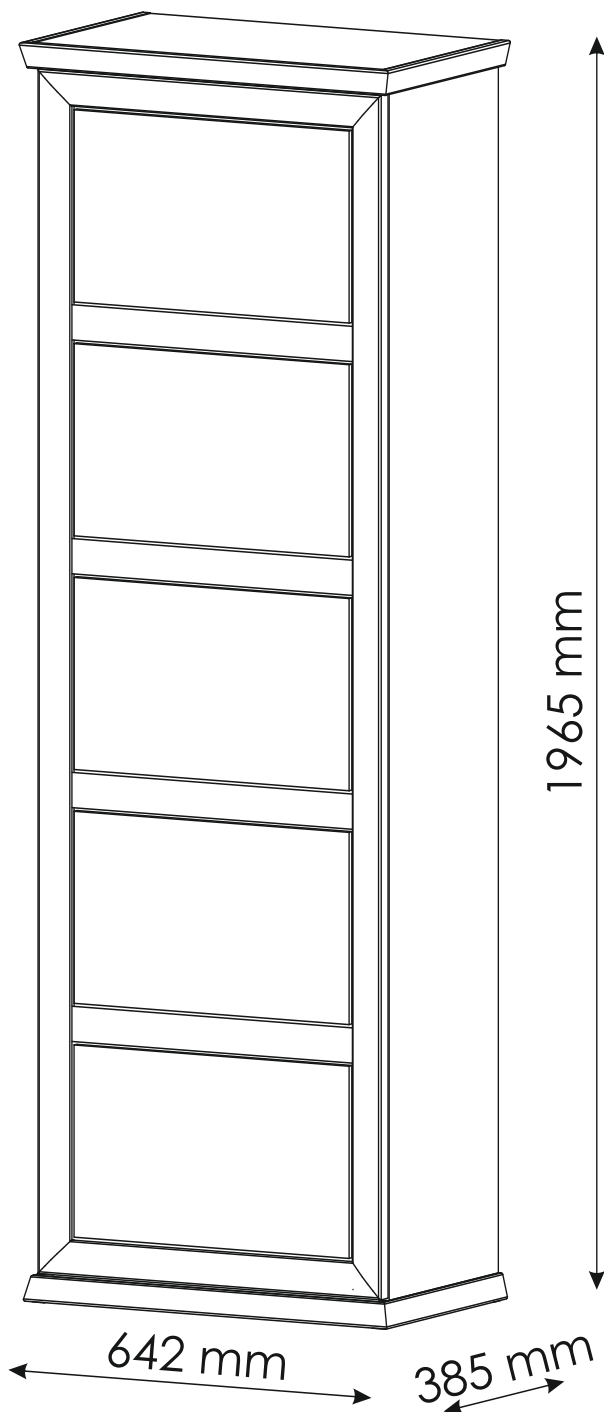
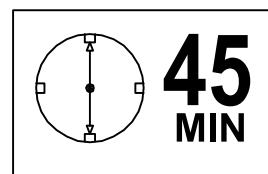
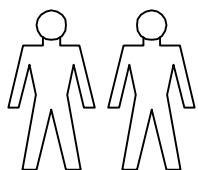


13 ▶

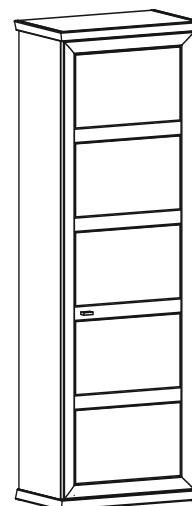
<p>(C0)</p>  <p>x8</p>	<p>(H2)</p> <p>4 x 22 mm</p>  <p>x4</p>	<p>(L6)</p>  <p>x2</p>
---	--	---



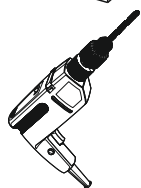
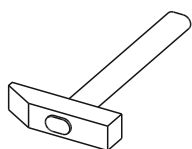
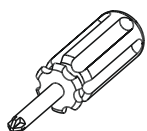
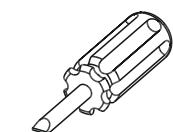
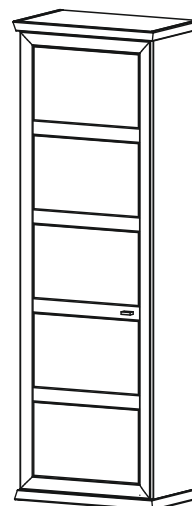




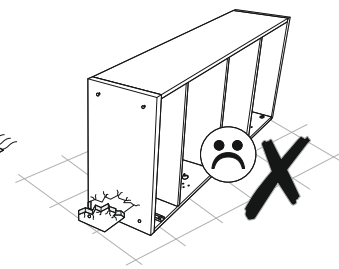
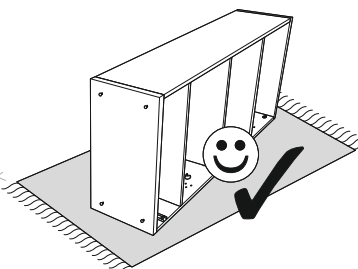
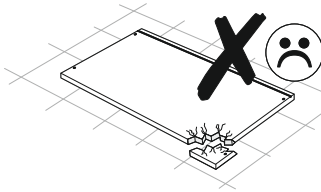
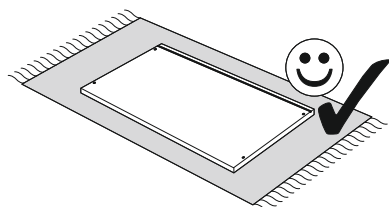
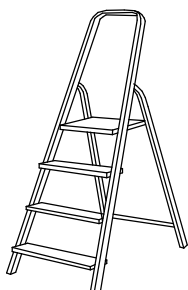
R


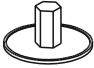



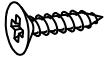

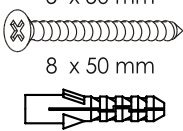


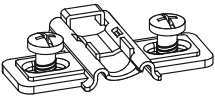
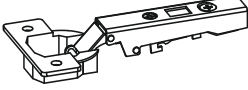


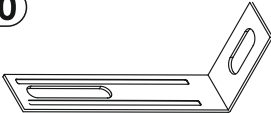
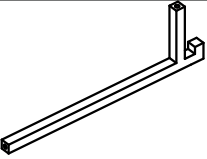



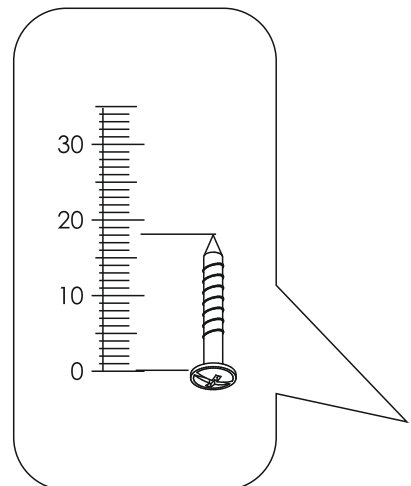
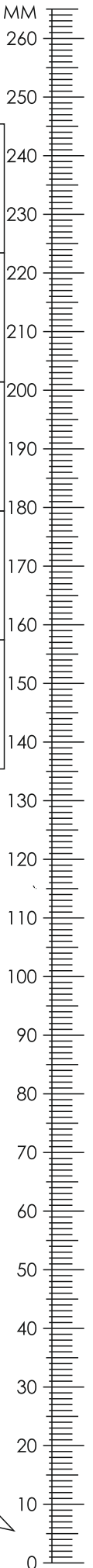
L

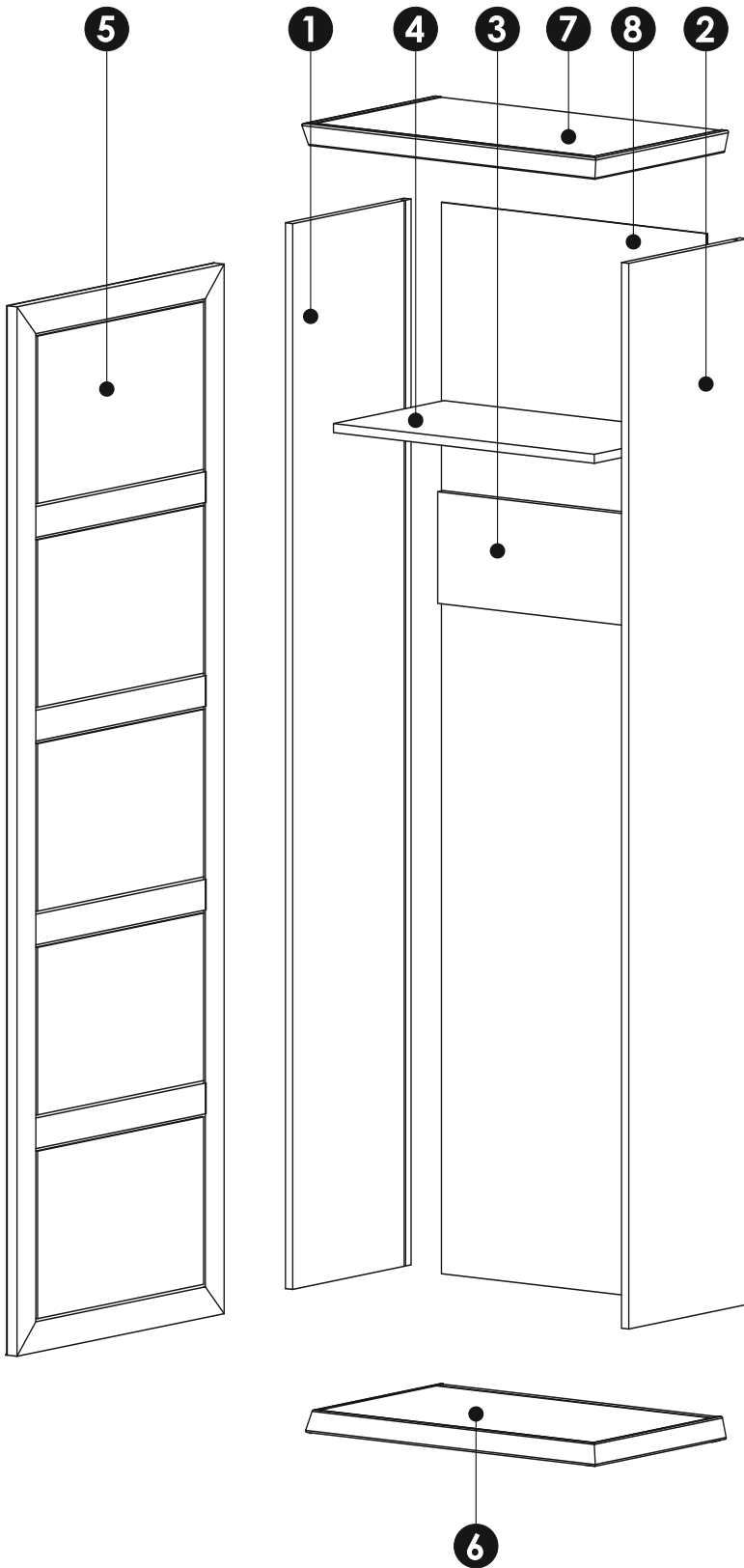



Ø5
Ø8



A0 8 x 30mm x14 	C0  x12	C2  x14
C7 16mm  x14	D0 3 x 15 mm  x20	D10 4 x 16 mm  x8
D21 5 x 13 mm  x1	E0 5 x 50 mm 8 x 50 mm  x1	H2 4 x 22 mm  x2
H6 4 x 22 mm  x2	J3  x4	J10  x4
L6  x1	M1  x20	P0  x1
P17  x1	U2  x4	

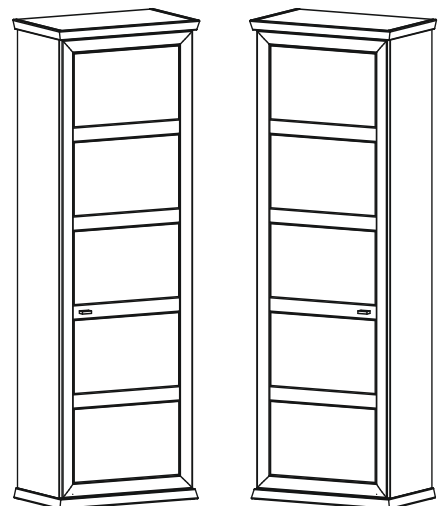


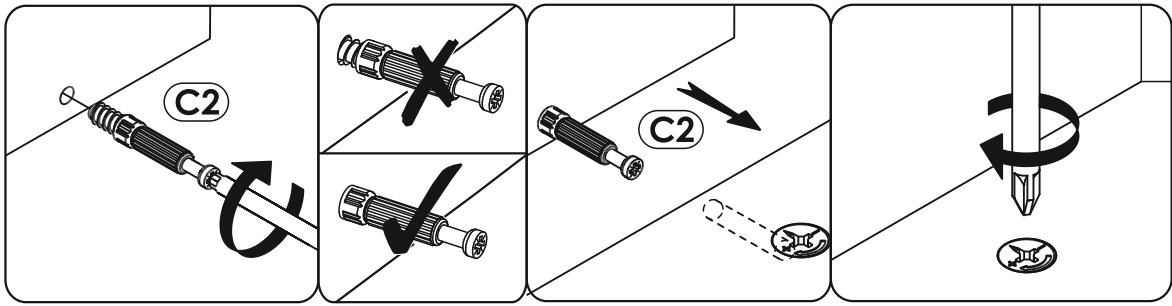


1	1909	348	16	x1	2/2
2	1909	348	16	x1	2/2
3	578	200	16	x1	1/2
4	578	325	16	x1	1/2
5	1880	606	25	x1	2/2
6	642	385	40	x1	1/2
7	642	385	40	x1	1/2
8	588	1919	2,8	x1	2/2
					1/2



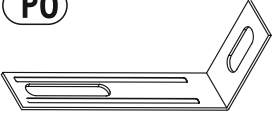
R

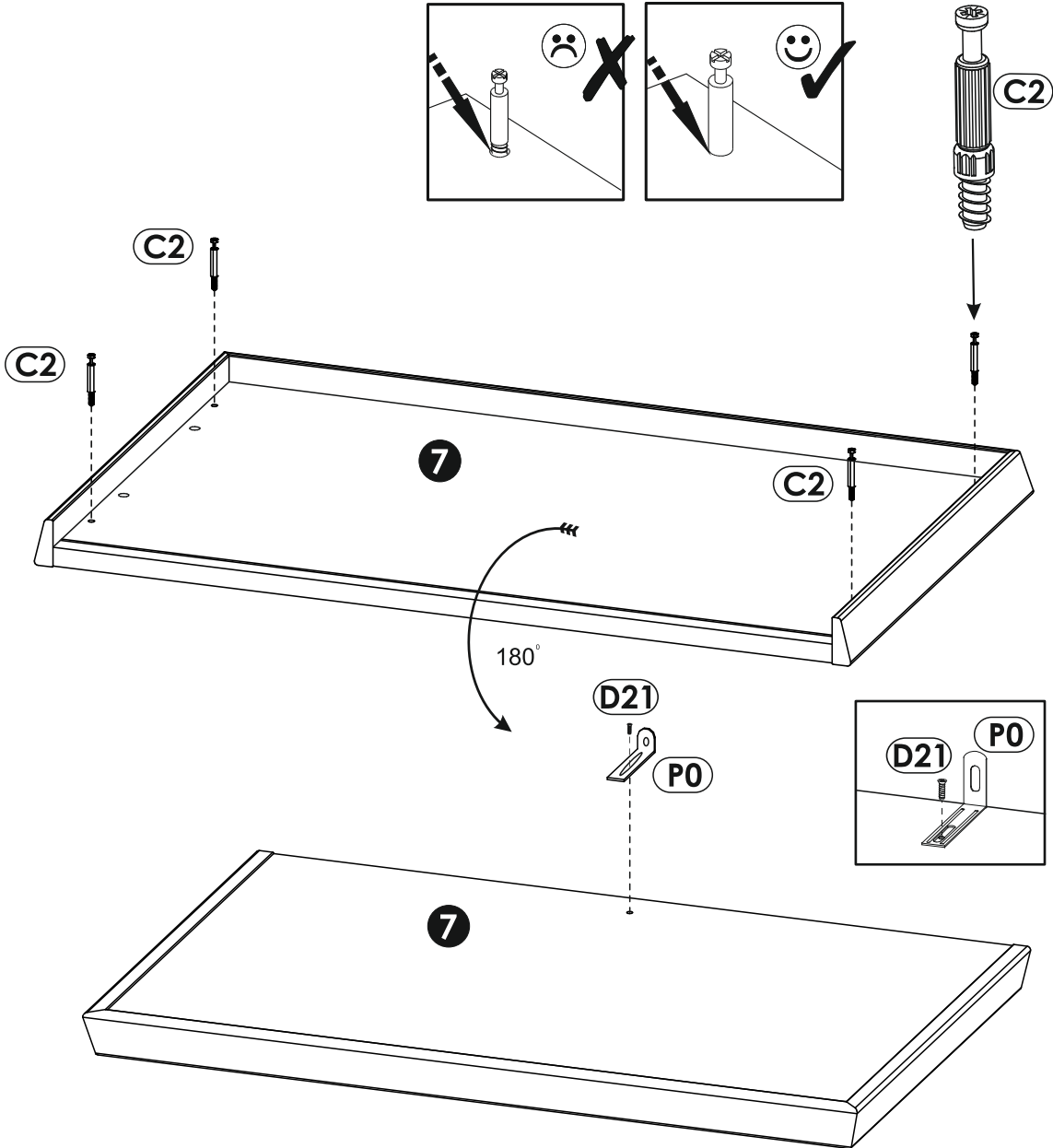
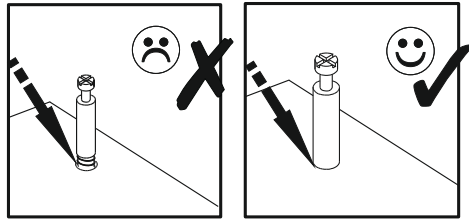
L



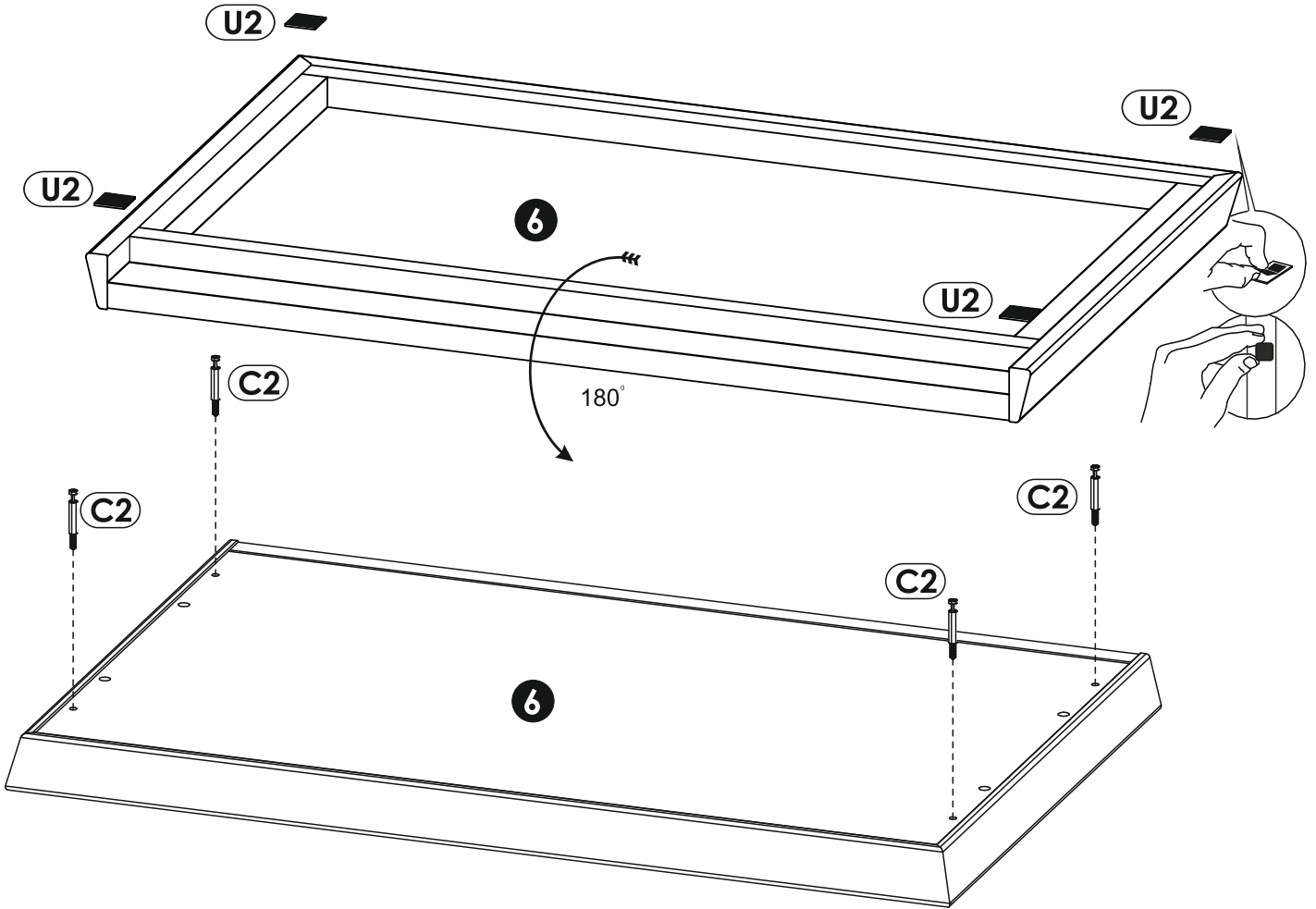
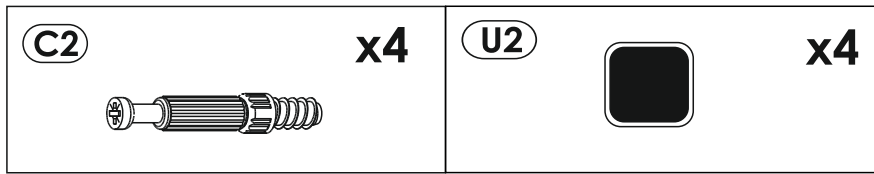


1 ▶

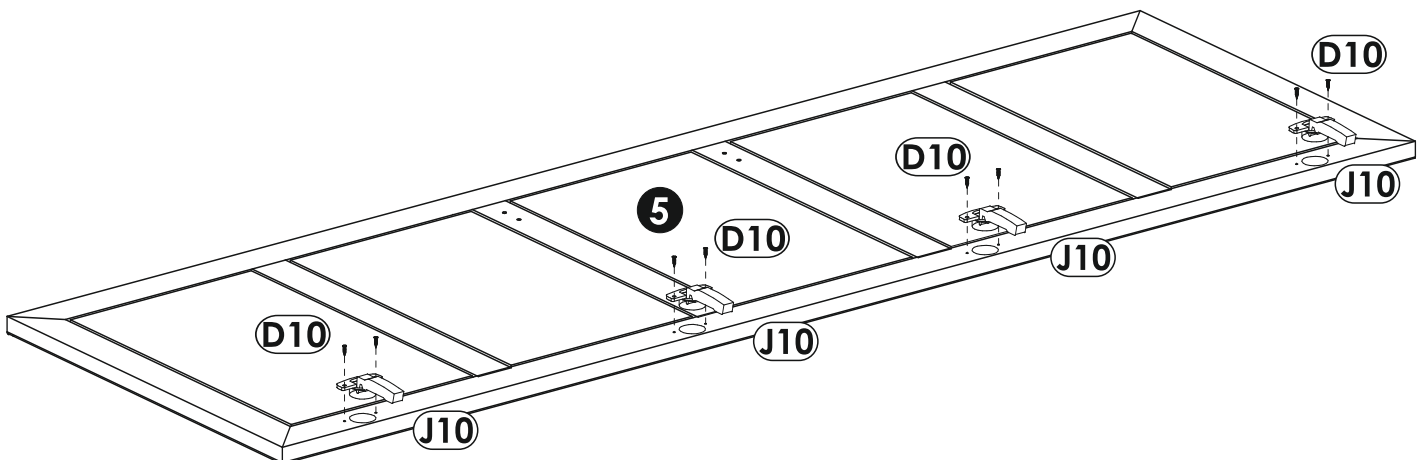
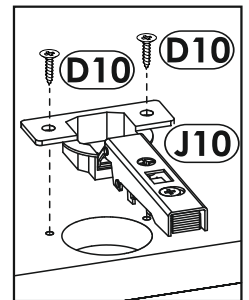
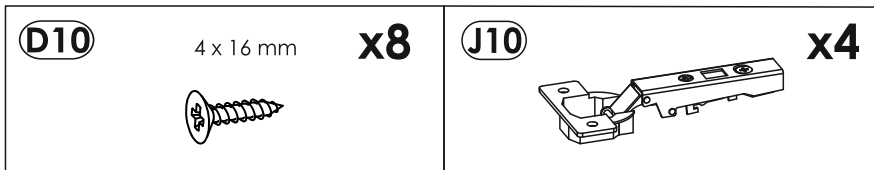
<p>(C2)</p>  <p>x4</p>	<p>(D21)</p> <p>5 x 13 mm</p>  <p>x1</p>	<p>(P0)</p>  <p>x1</p>
---	---	---






2 ▶

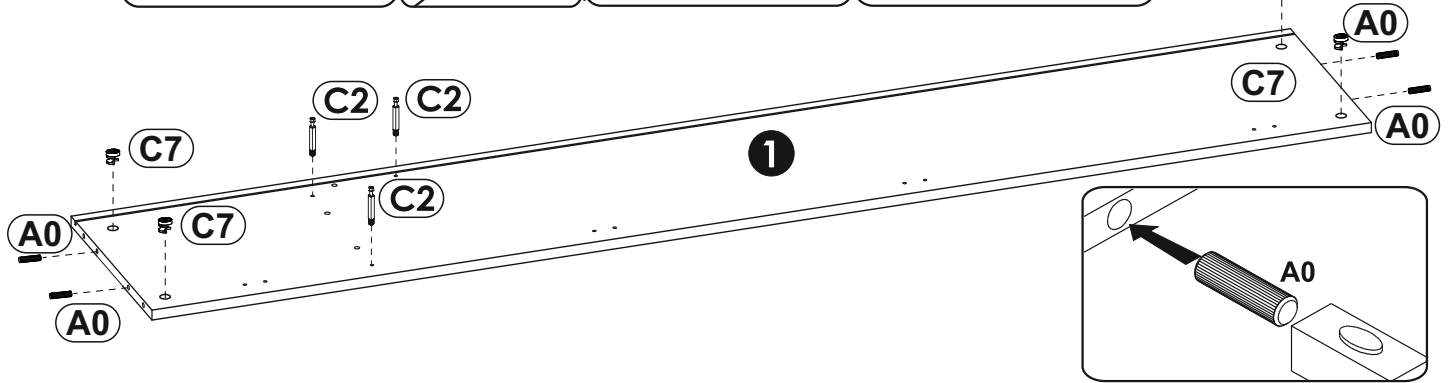
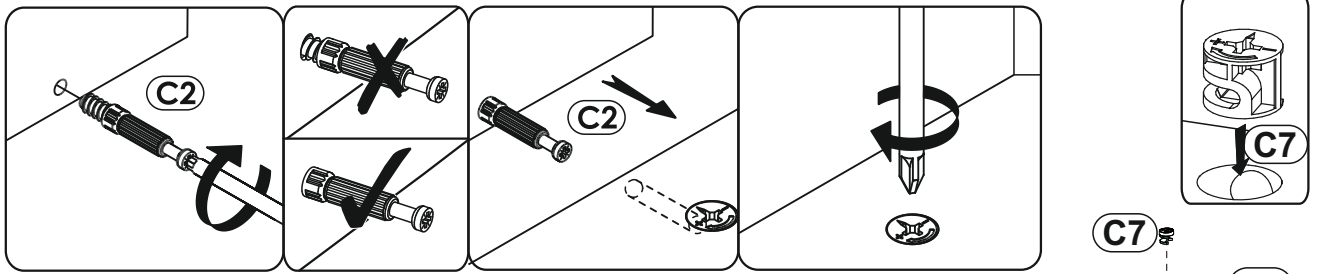


3 ▶






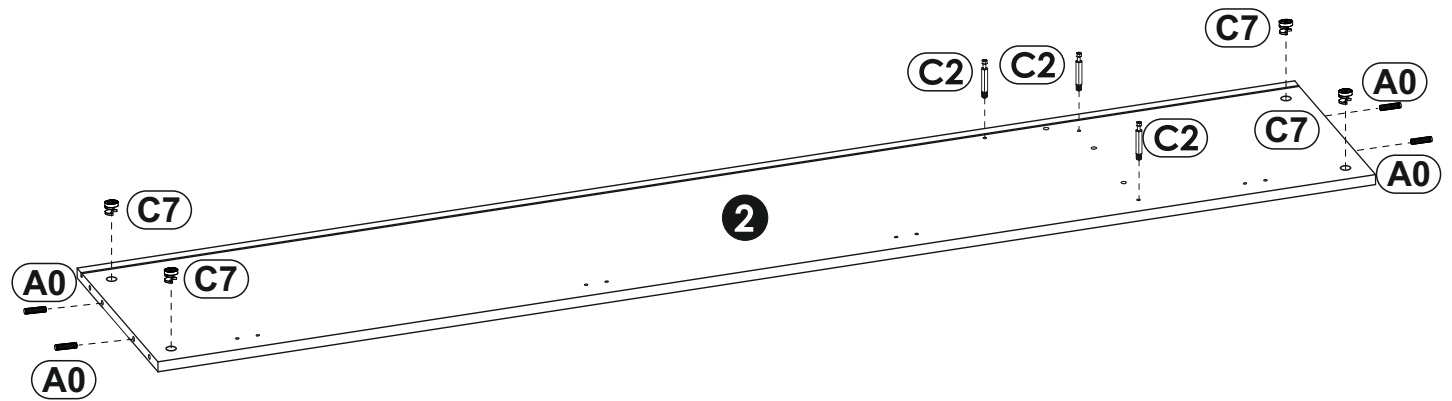
4 ▶

A0 8 x 30mm 	x4	C2 	x3	C7 16mm 	x4
--	-----------	--	-----------	--	-----------

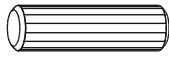



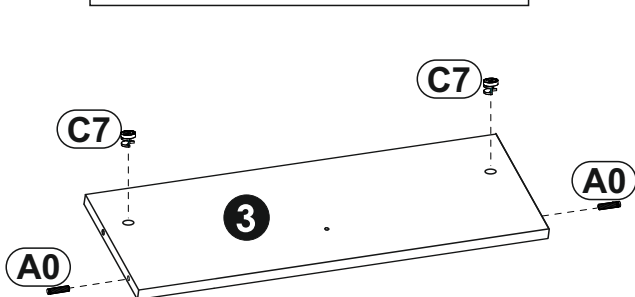
5 ▶

A0 8 x 30mm 	x4	C2 	x3	C7 16mm 	x4
--	-----------	--	-----------	---	-----------

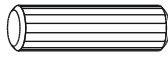



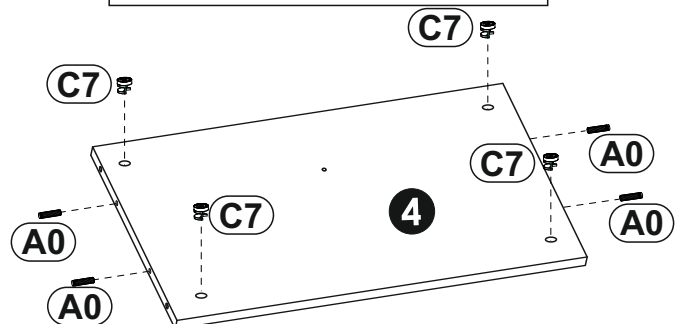
6 ▶

A0 8 x 30mm 	x2
C7 16mm 	x2

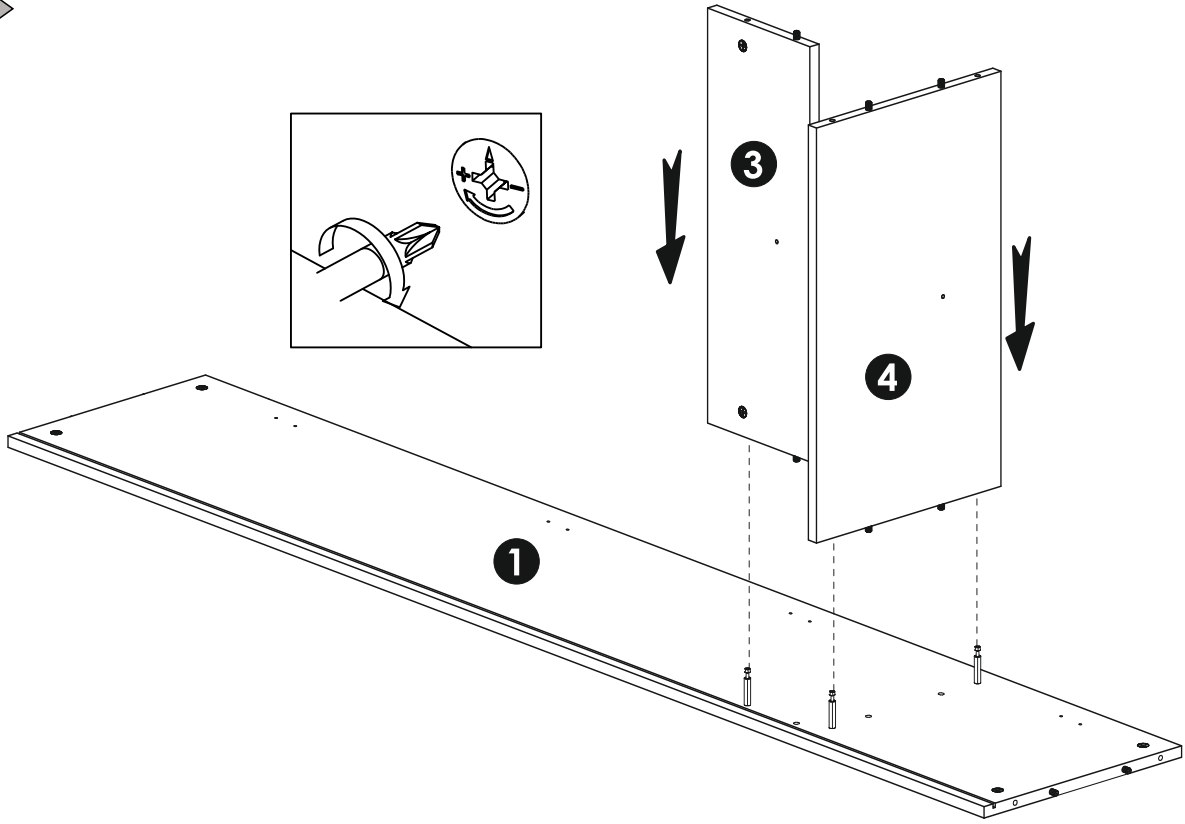


7 ▶

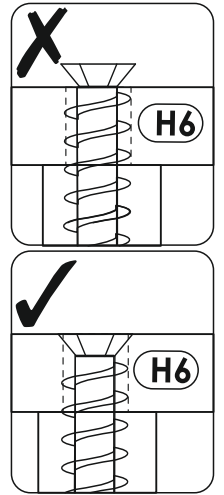
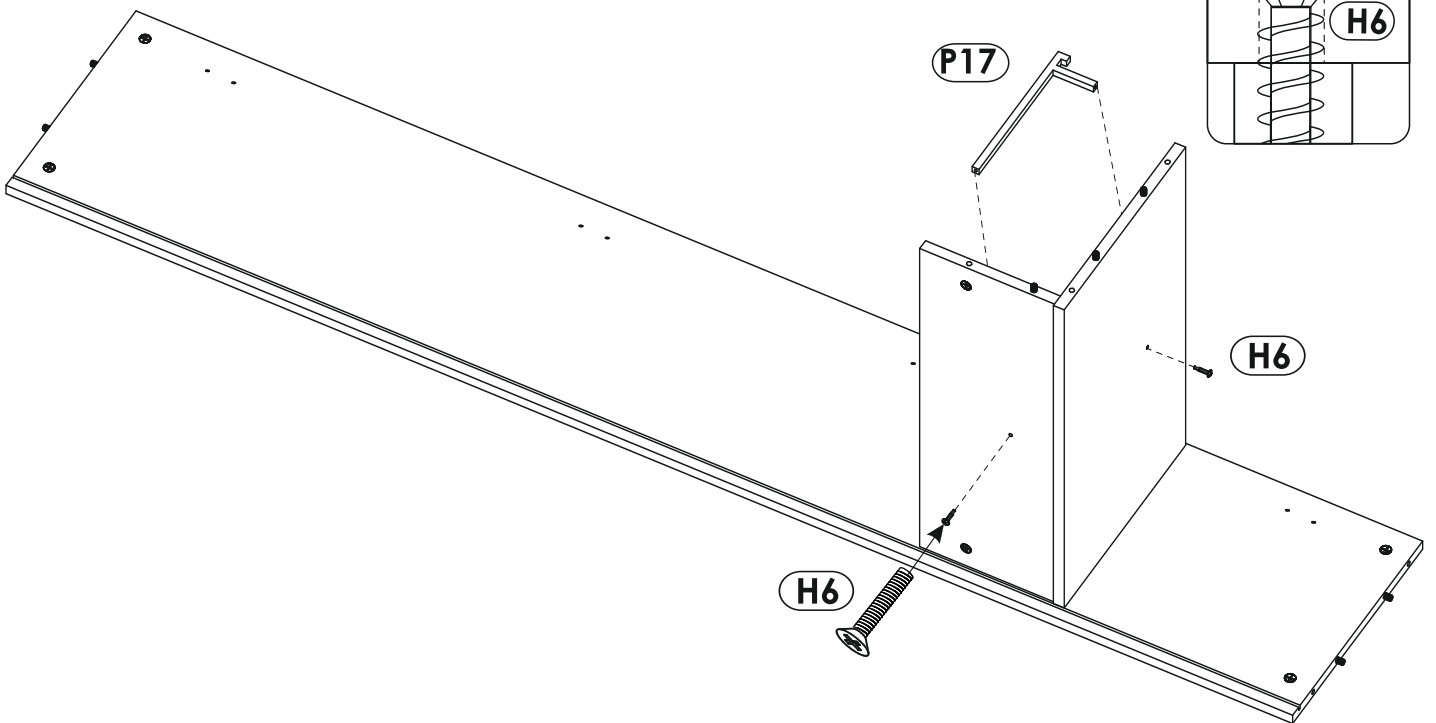
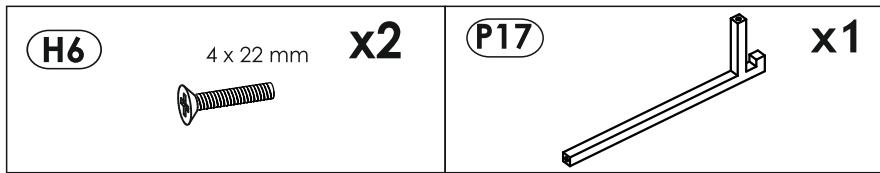
A0 8 x 30mm 	x4
C7 16mm 	x4



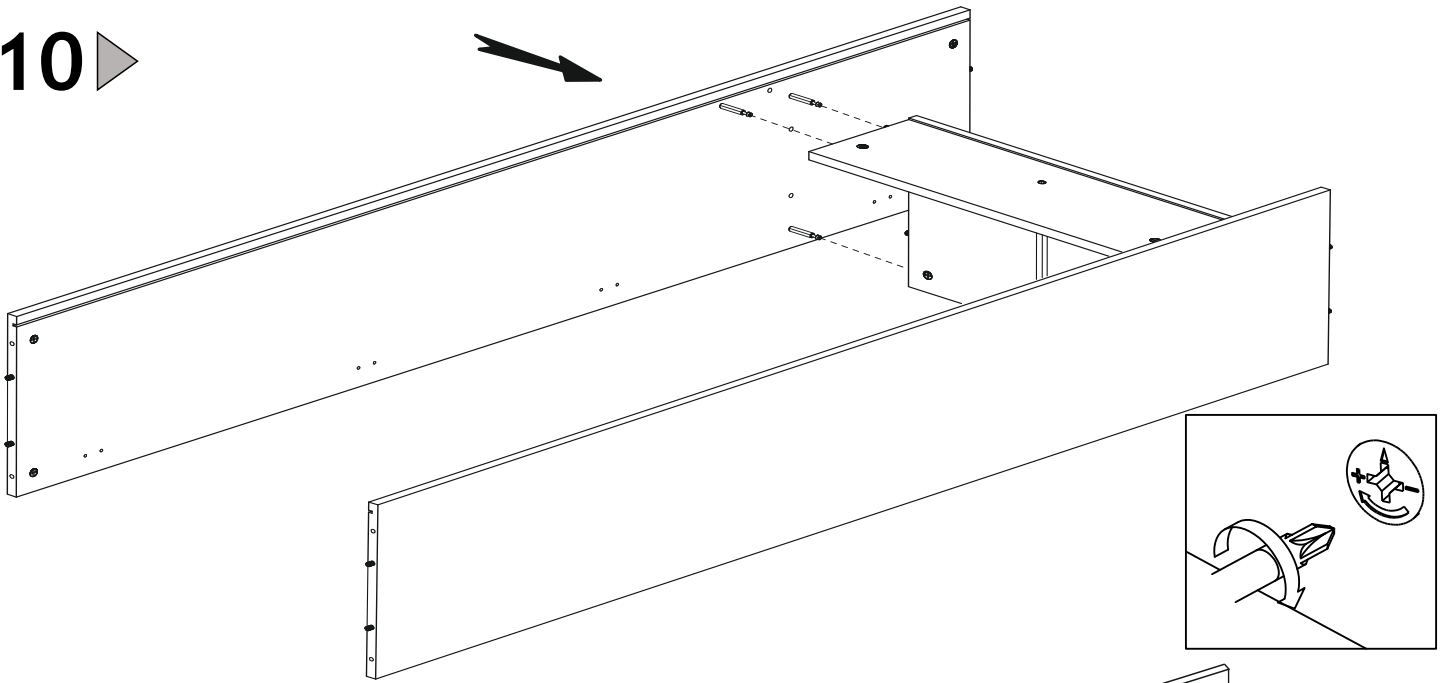
8 ▶



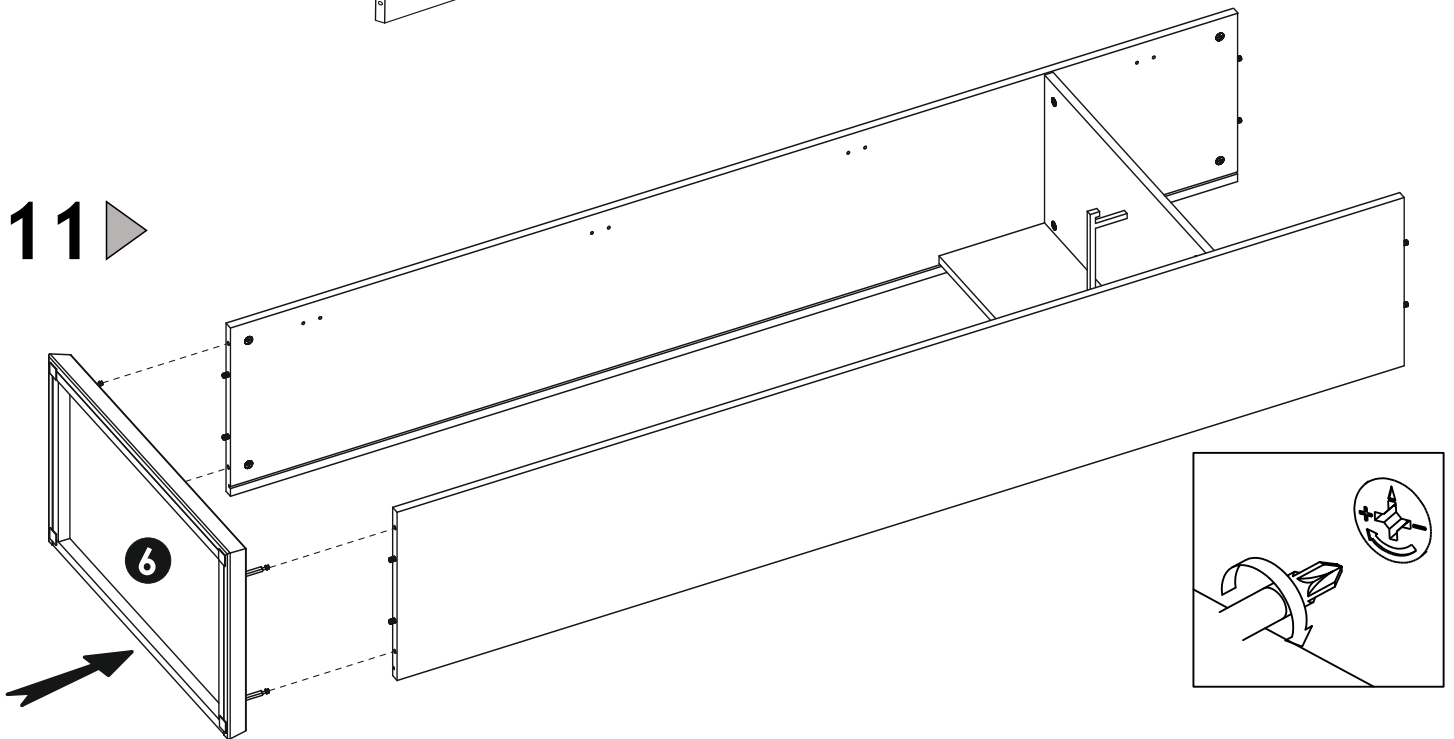
9 ▶



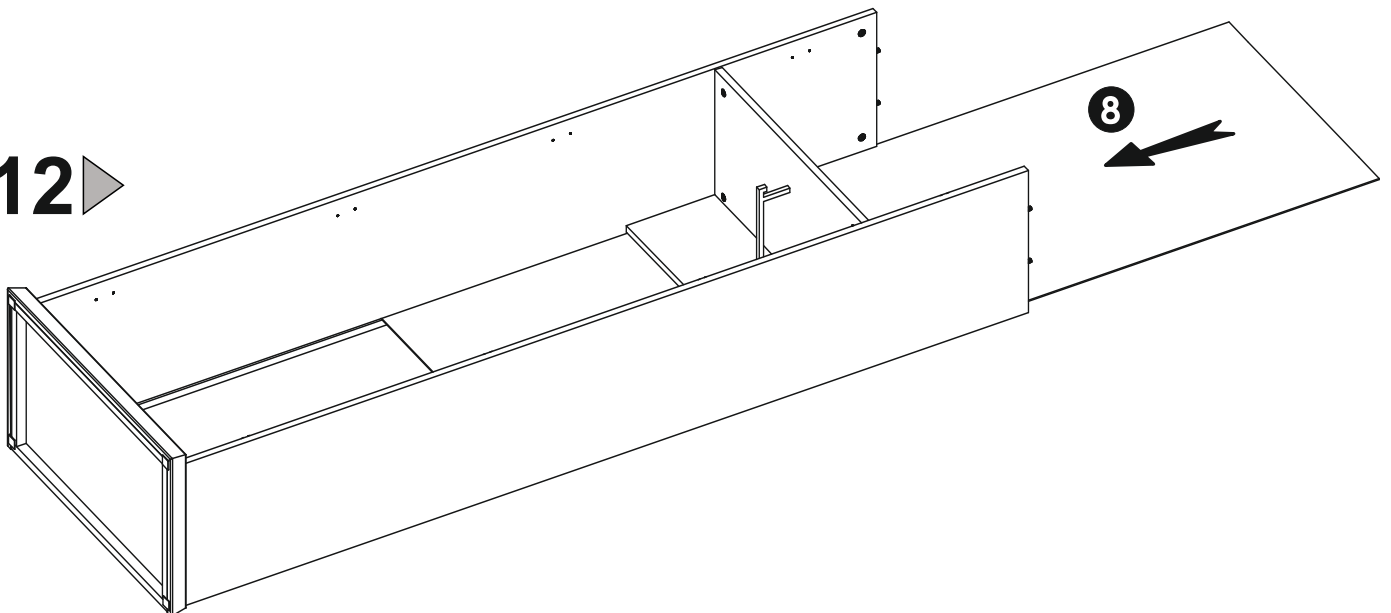
10 ▶



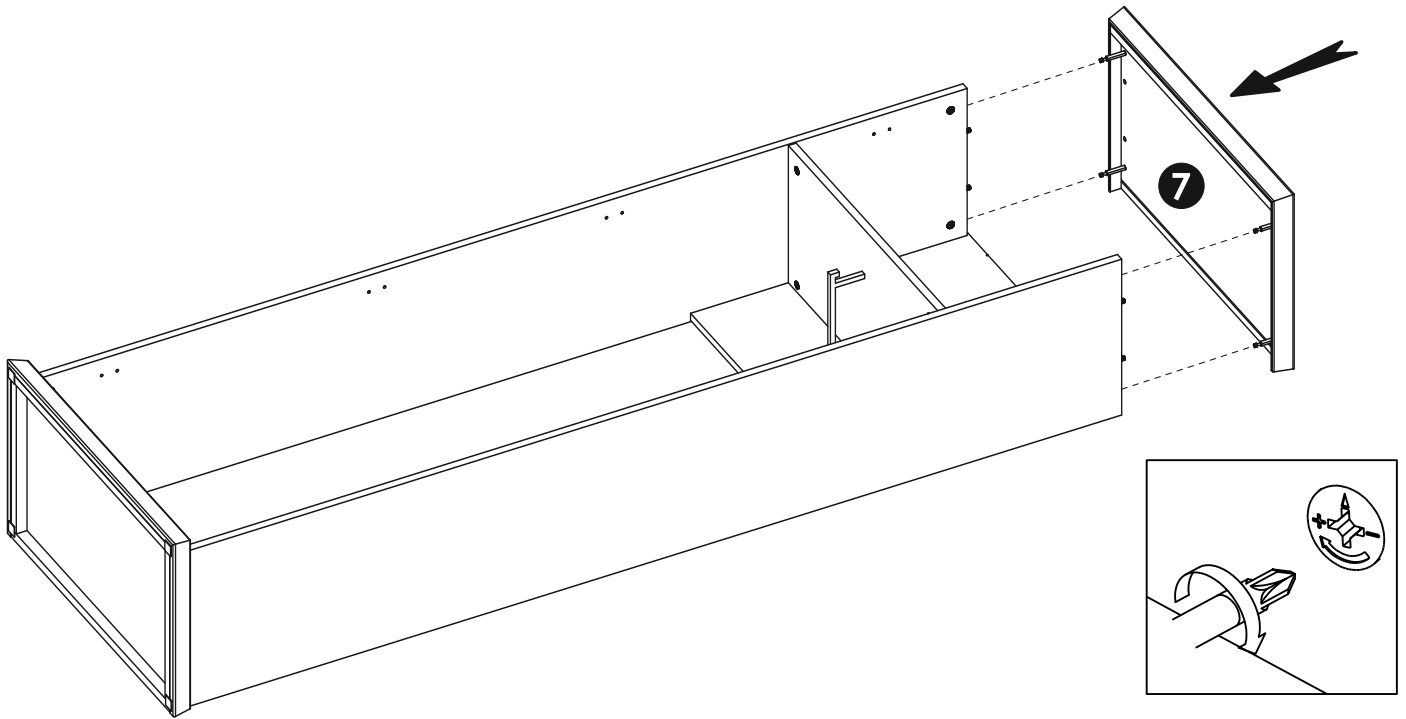
11 ▶



12 ▶

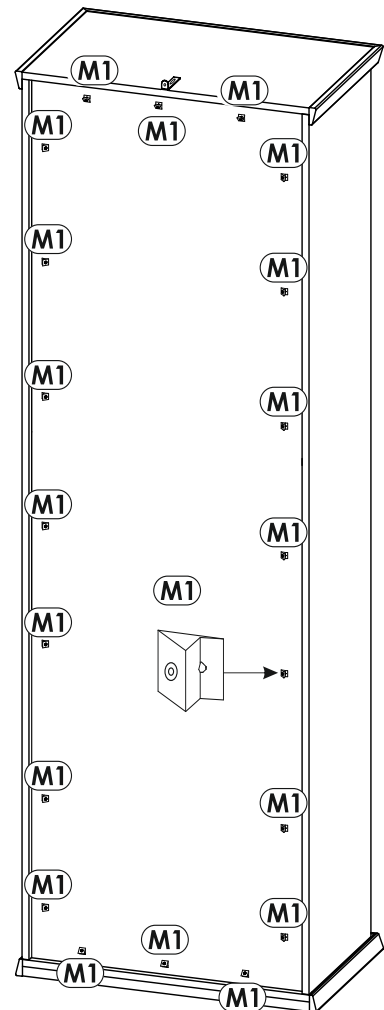
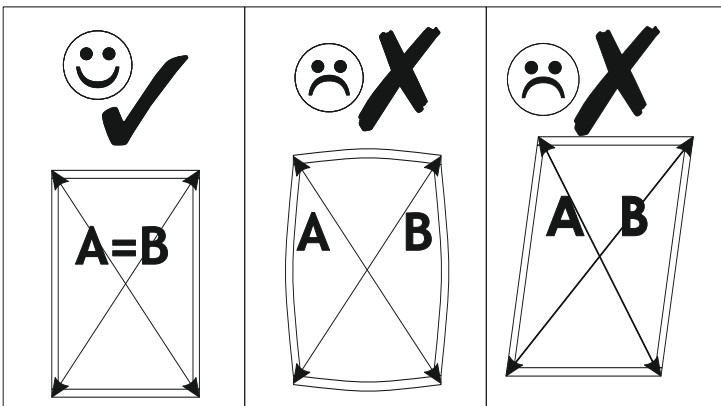
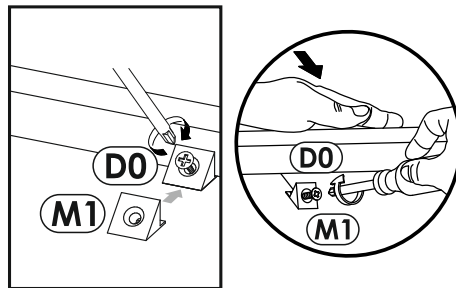


13 ▶

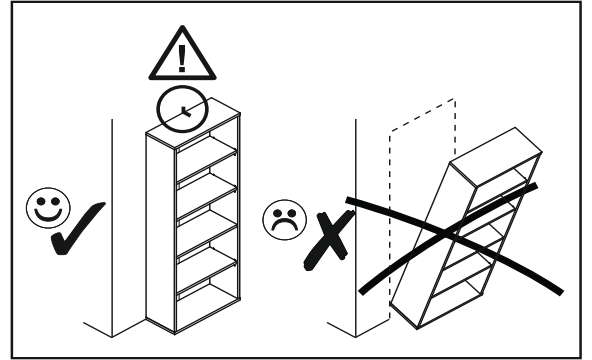
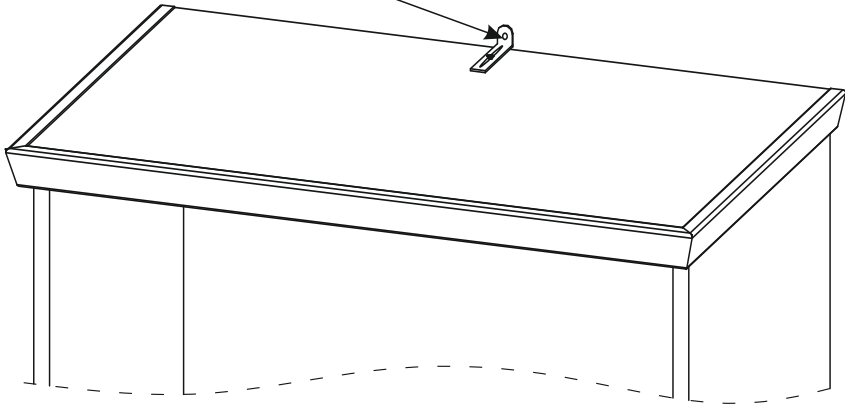
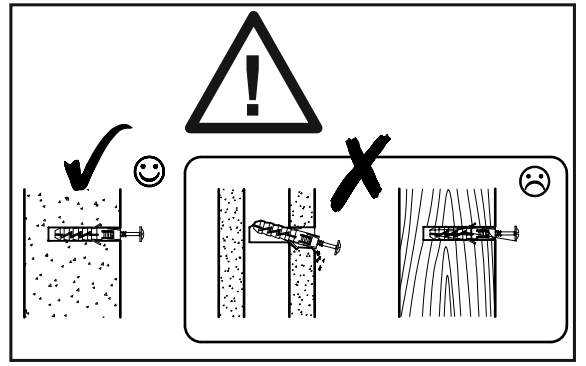
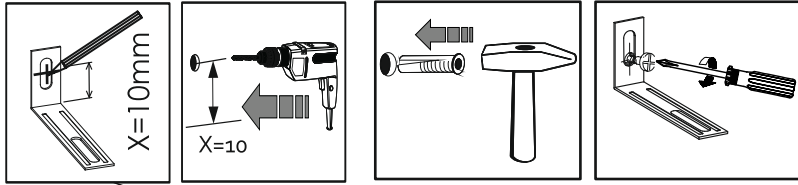
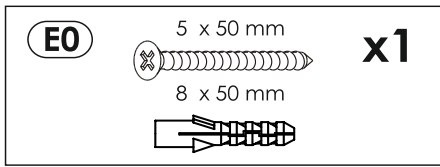


14 ▶

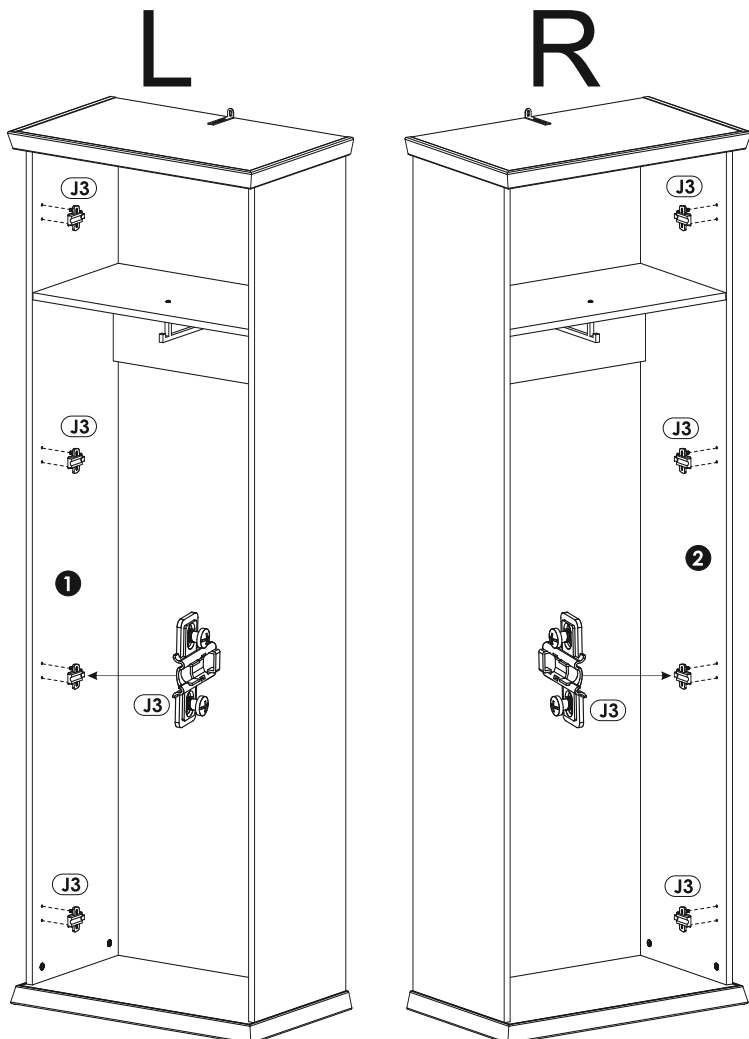
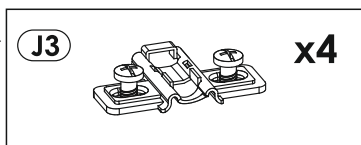
(D0)	3 x 15 mm	x20
(M1)		x20



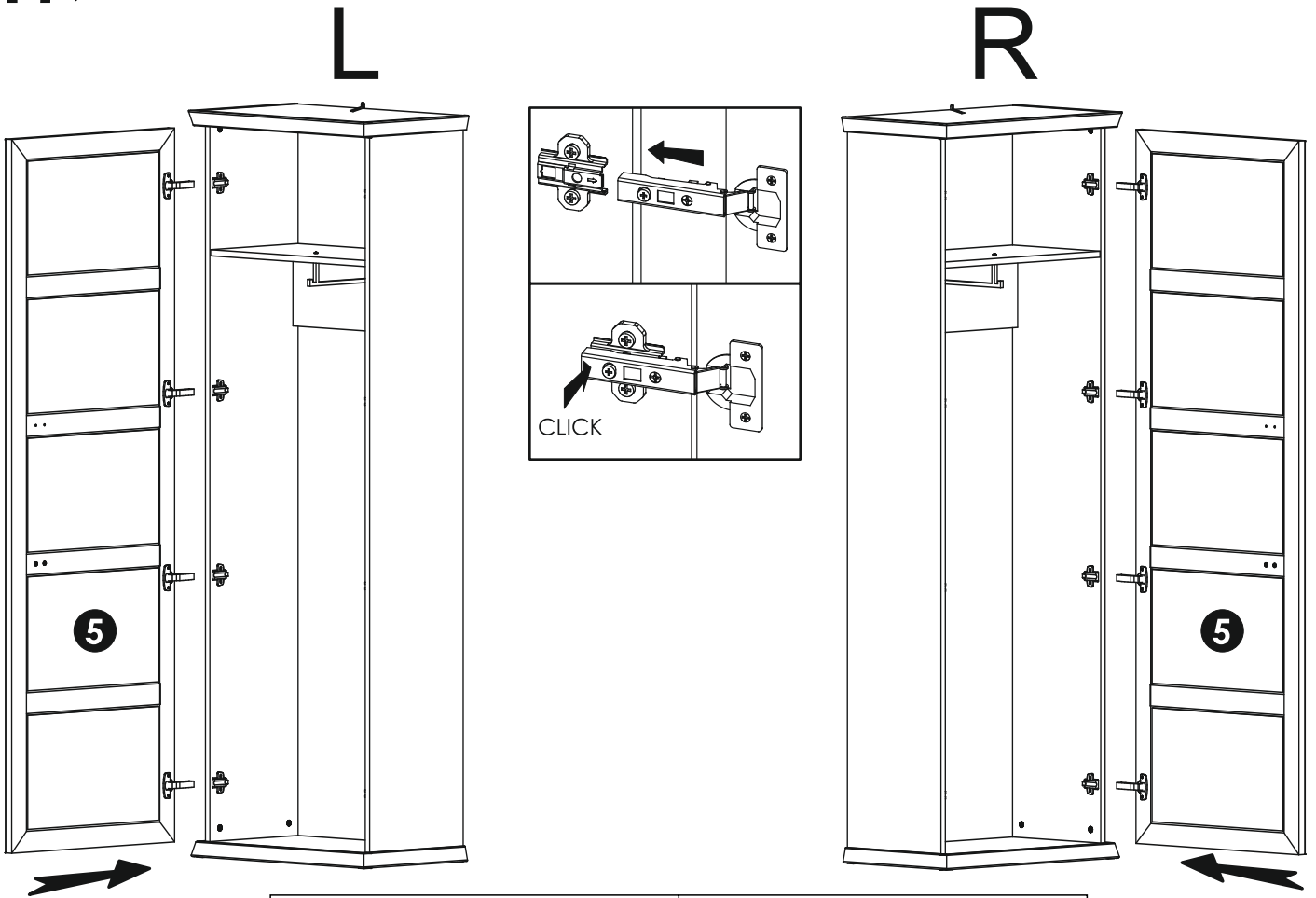
15



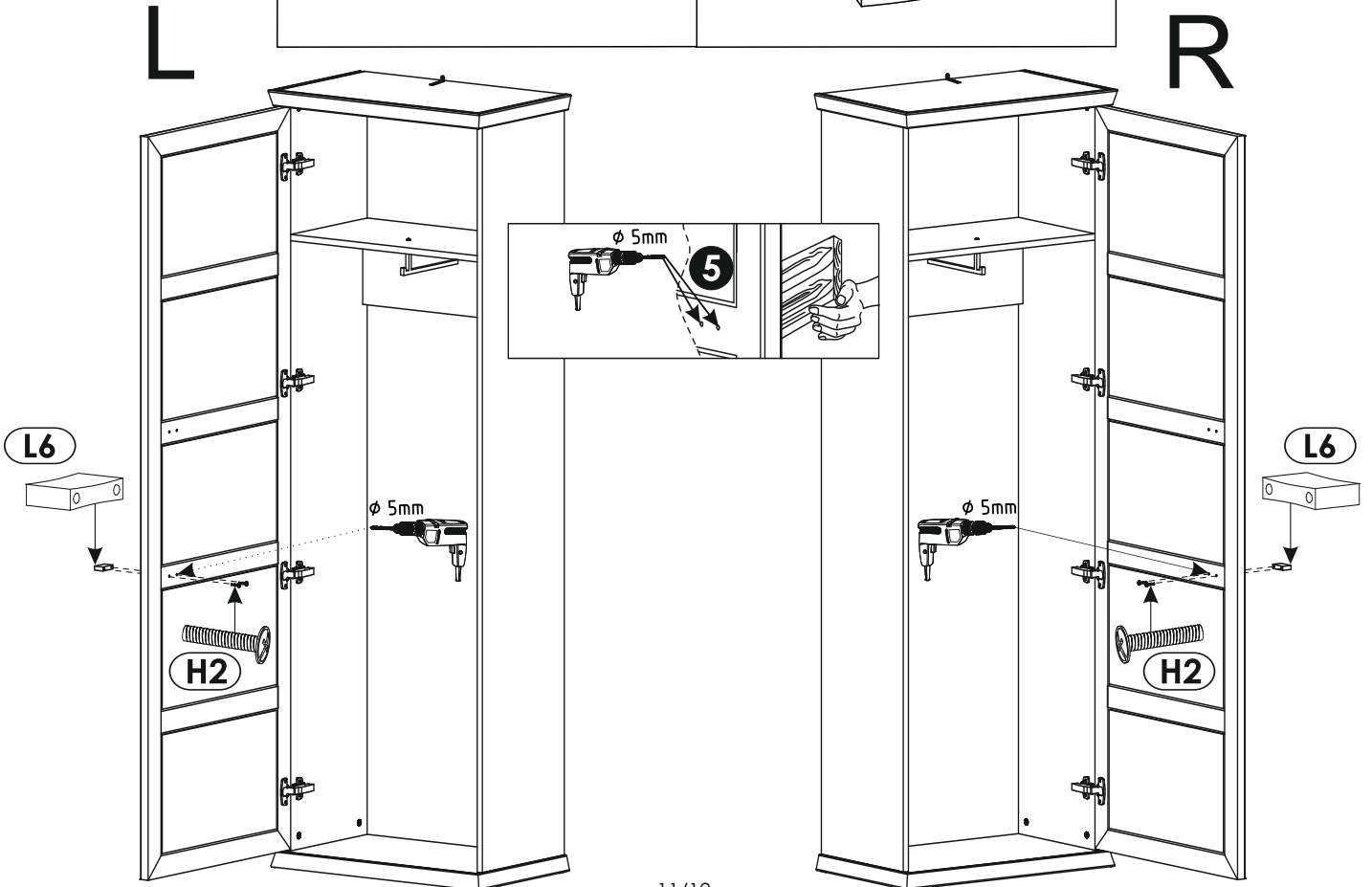
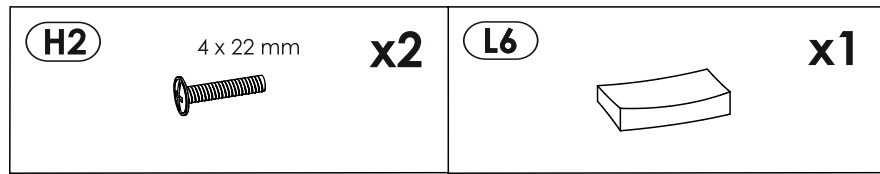
16



17 ▶



18 ▶



19 ▶

