







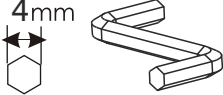


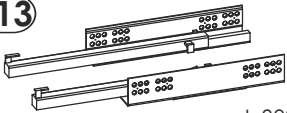

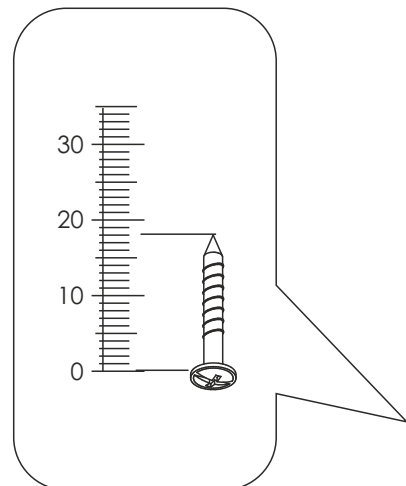
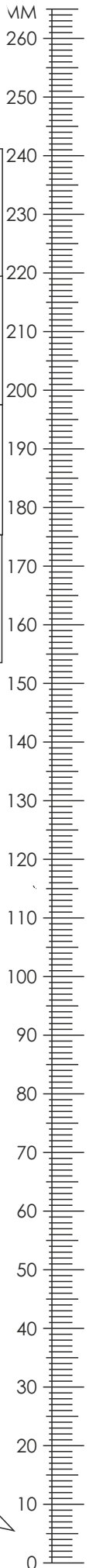
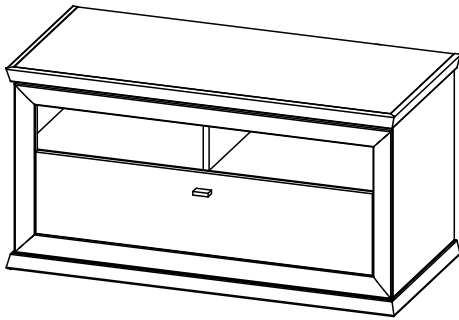



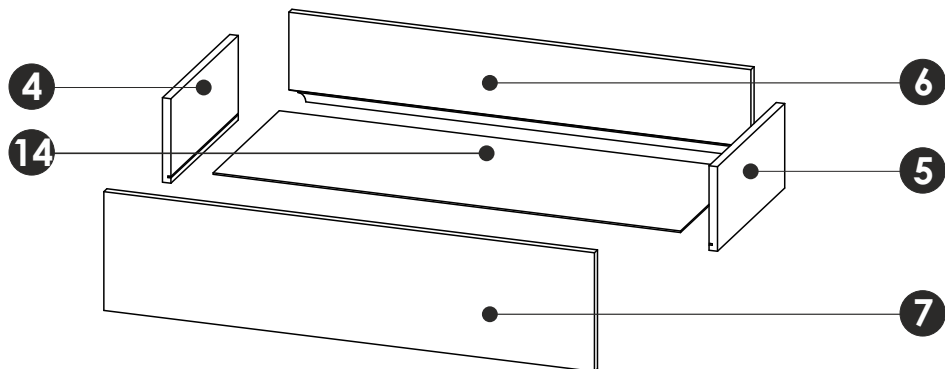
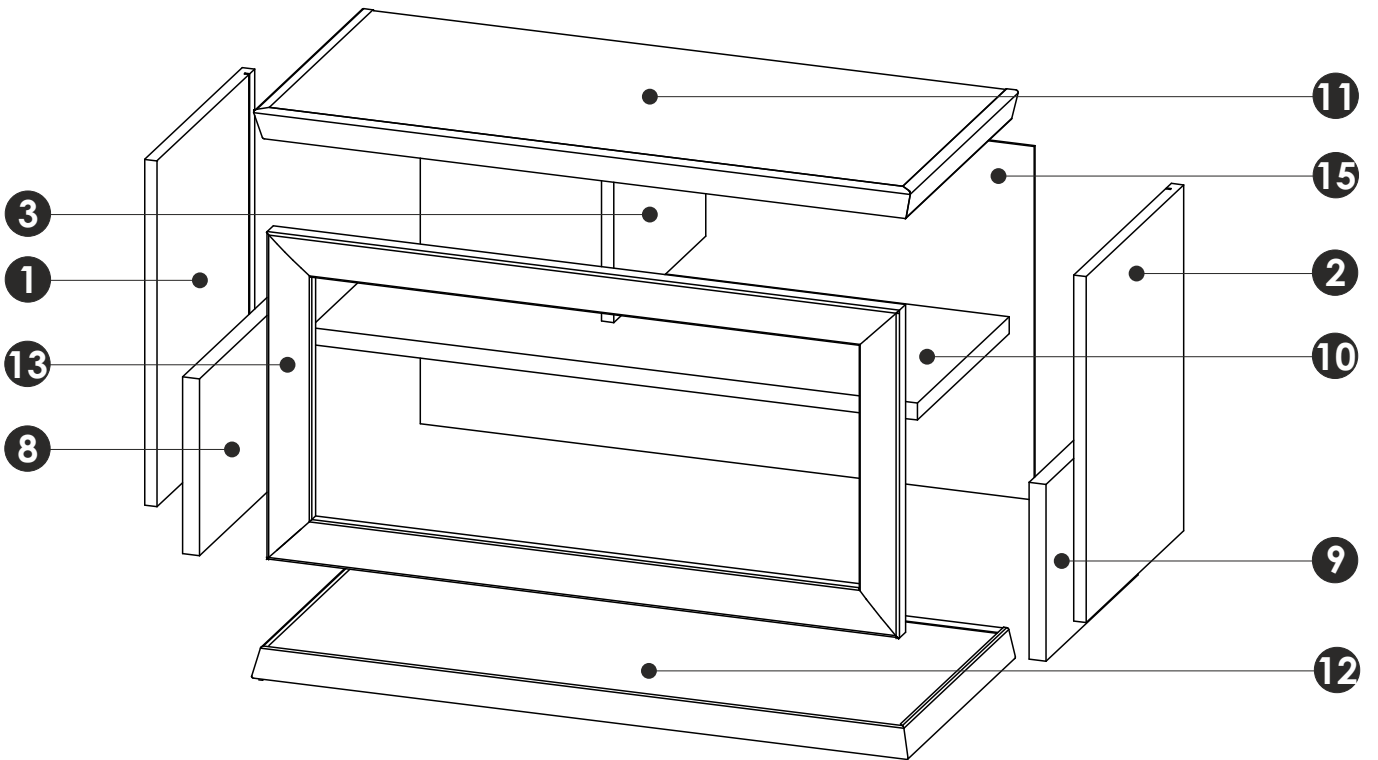
A0 8 x 30mm x32 	B1 f 7 x 50 mm x6 	C0 x14 
C2 x28 	C7 x26 16mm 	D0 3 x 15 mm x18 
D31 6,3 x 13 mm x8 	H2 4 x 22 mm x2 	K x1 4mm 
L6 x1 	M1 x18 	N13 x1  L-300mm
U2 x6 		

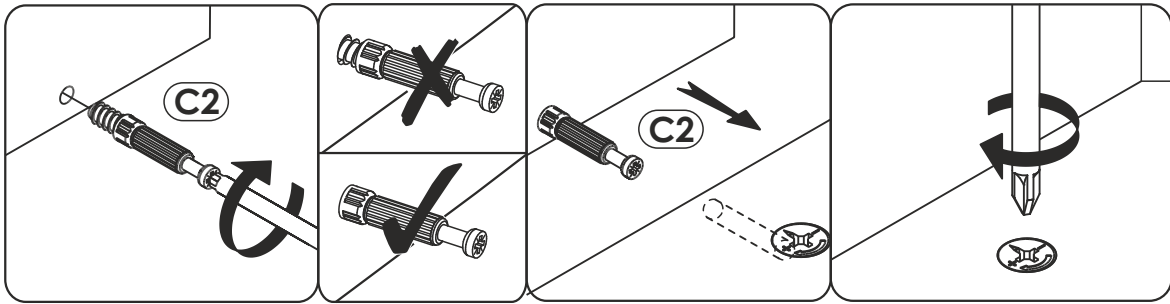







1	449	348	16 x1	1/2
2	449	348	16 x1	1/2
3	197.5	328	16 x1	1/2
4	300	120	16 x1	1/2
5	300	120	16 x1	1/2
6	668	117	16 x1	1/2
7	702	188	16 x1	1/2
8	229.5	328	22 x1	1/2

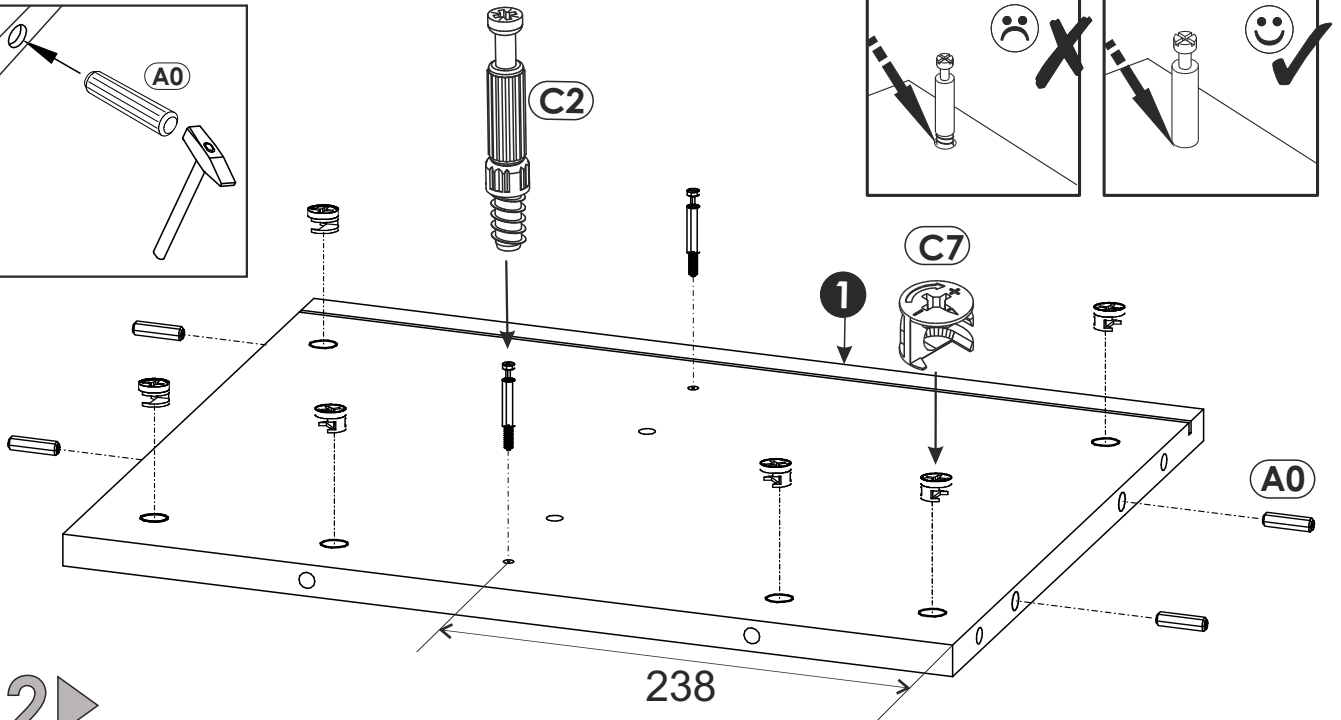
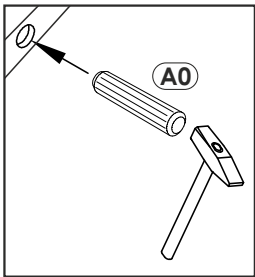
9	229.5	326	22 x1	1/2
10	788	328	22 x1	1/2
11	852	385	40 x1	2/2
12	852	385	40 x1	2/2
13	816	420	25 x1	2/2
14	678	294	2.8 x1	1/2
15	797	459	2.8 x1	2/2
				1/2








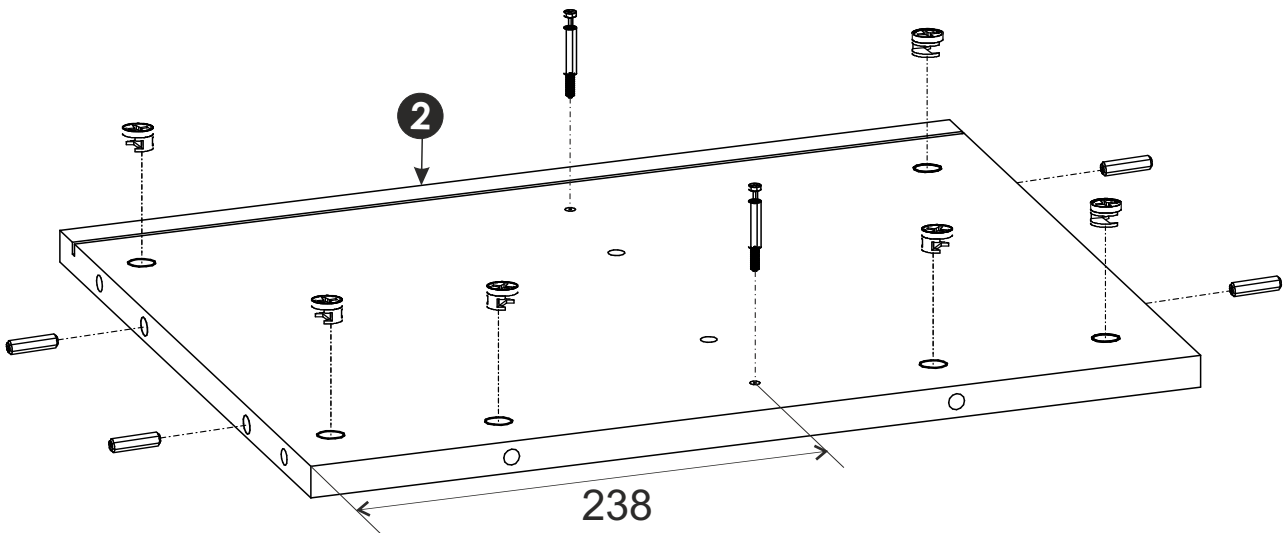
1 ▶

(A0) 8 x 30mm x4 	(C2) x2 	(C7) x6 16mm 
---	--	--

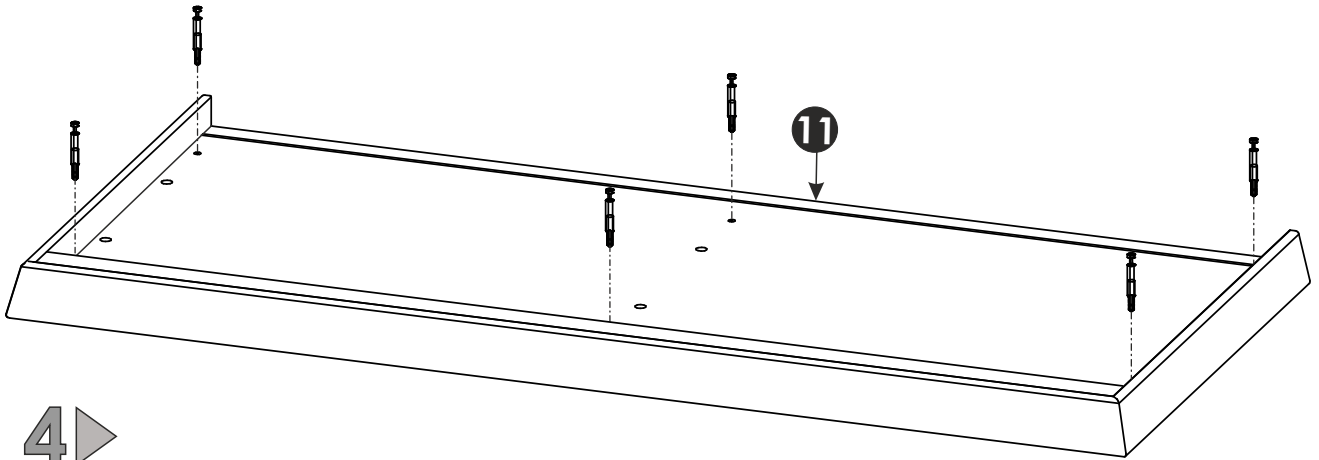
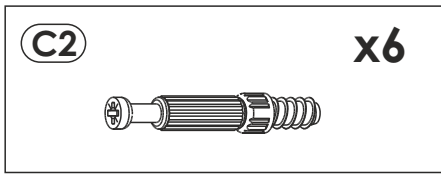


2 ▶

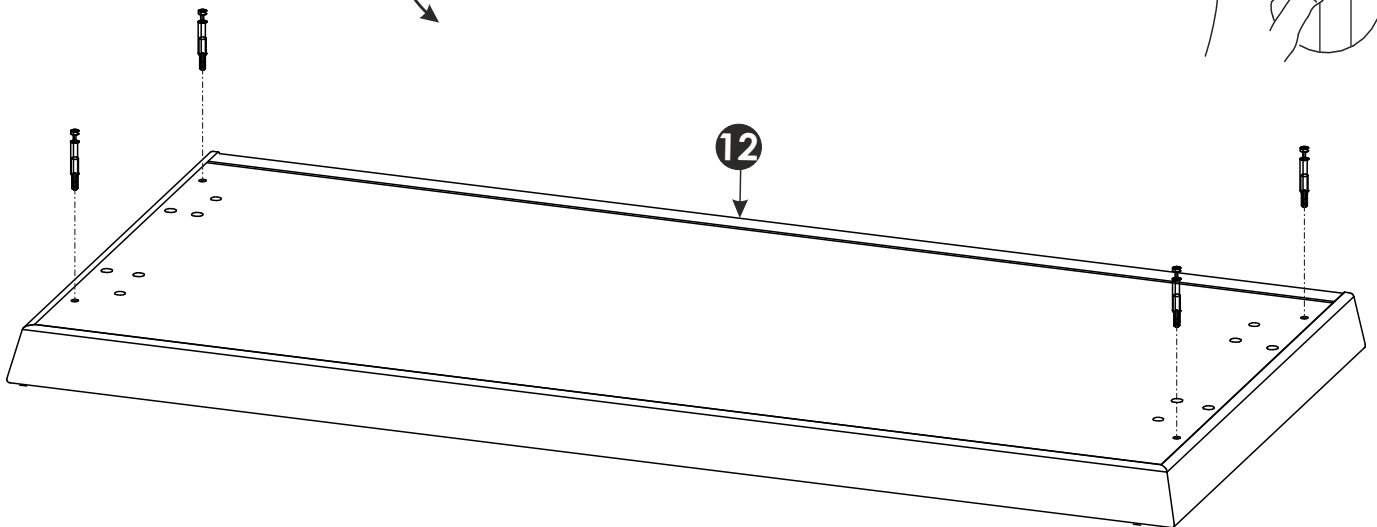
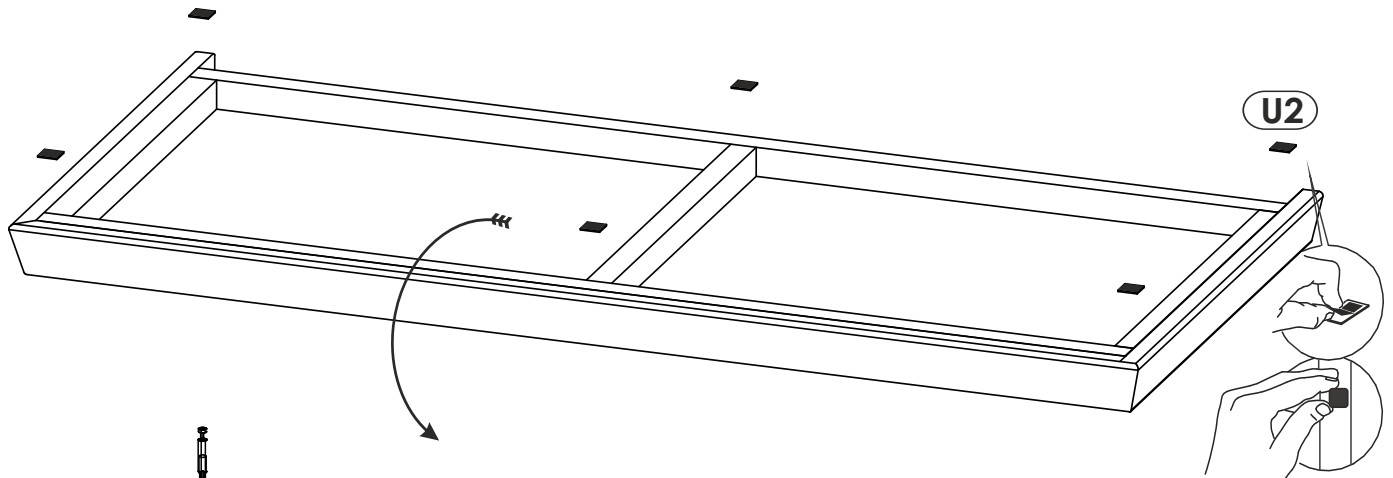
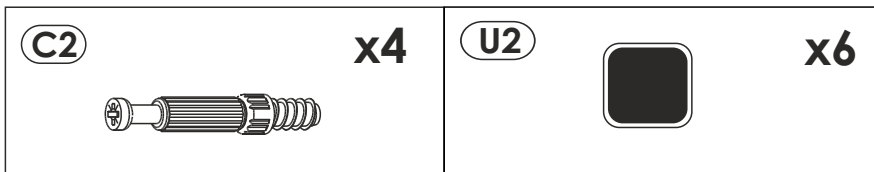
(A0) 8 x 30mm x4 	(C2) x2 	(C7) x6 16mm 
---	--	--



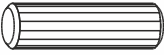


3 ▶

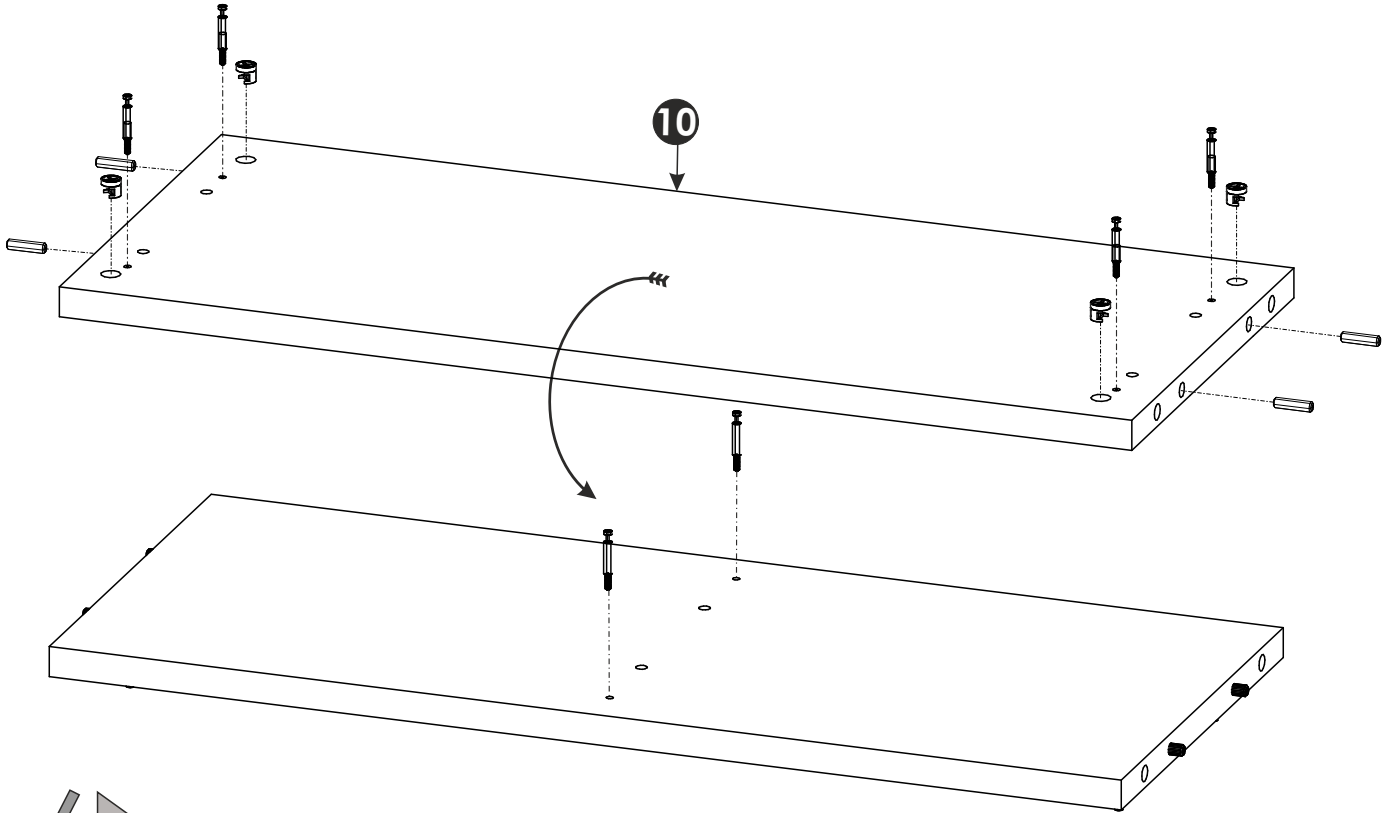


4 ▶




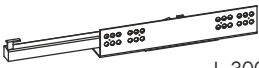


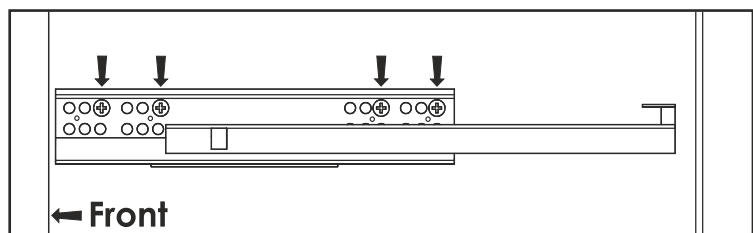
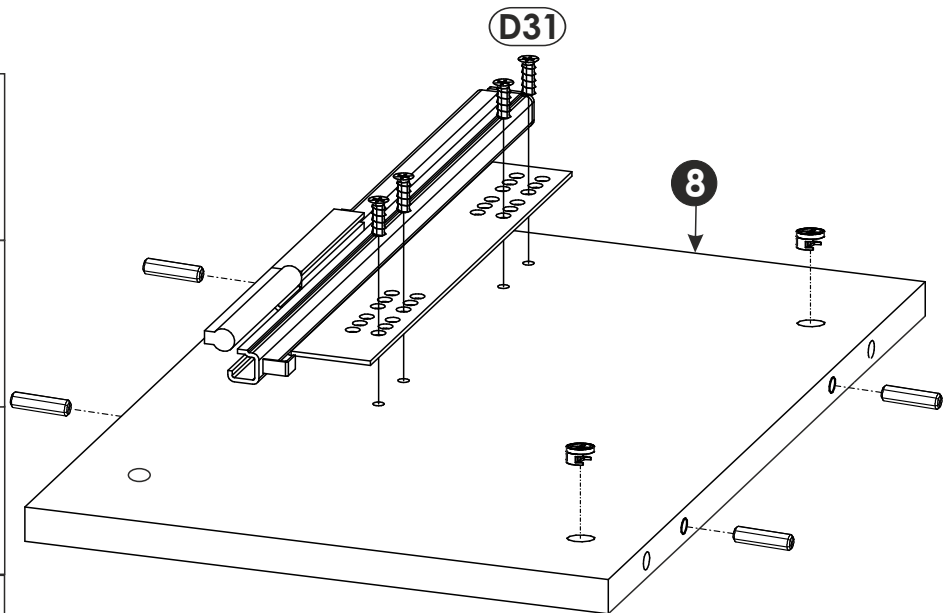
5 ▶

<p>A0 8 x 30mm x4</p> 	<p>C2 x6</p> 	<p>C7 x4</p> <p>16mm</p> 
---	--	--




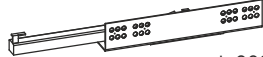


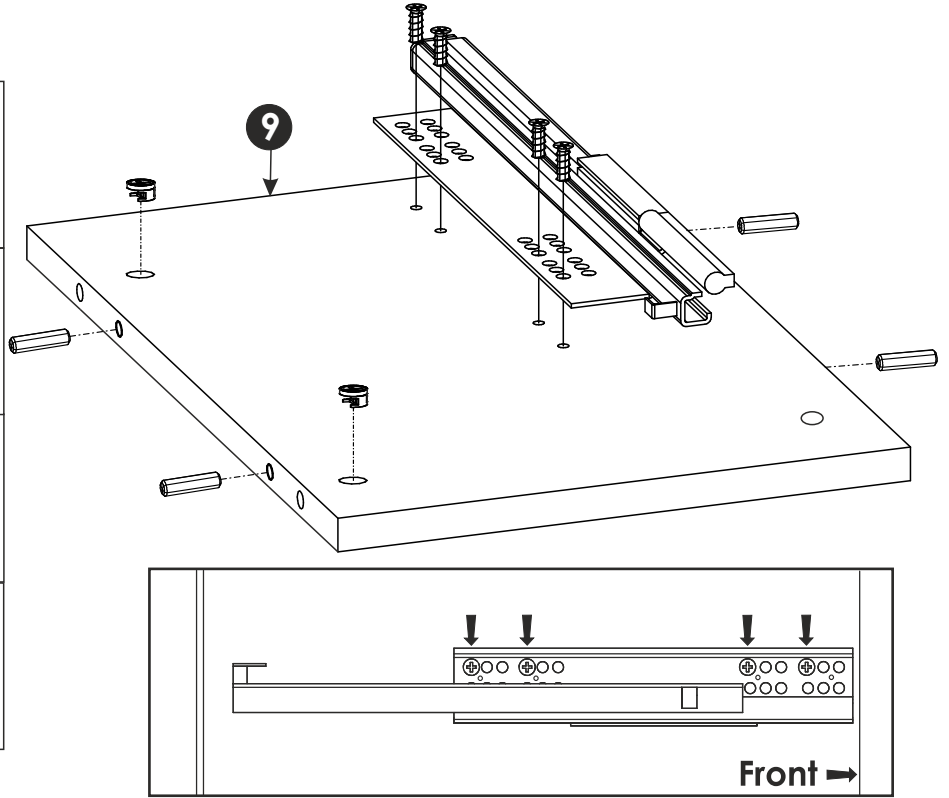
6 ▶

<p>A0 8 x 30mm x4</p> 
<p>C7 x2</p> <p>16mm</p> 
<p>D31 x4</p> <p>6,3 x 13 mm</p> 
<p>N13 x1</p> <p>L-300mm</p> 






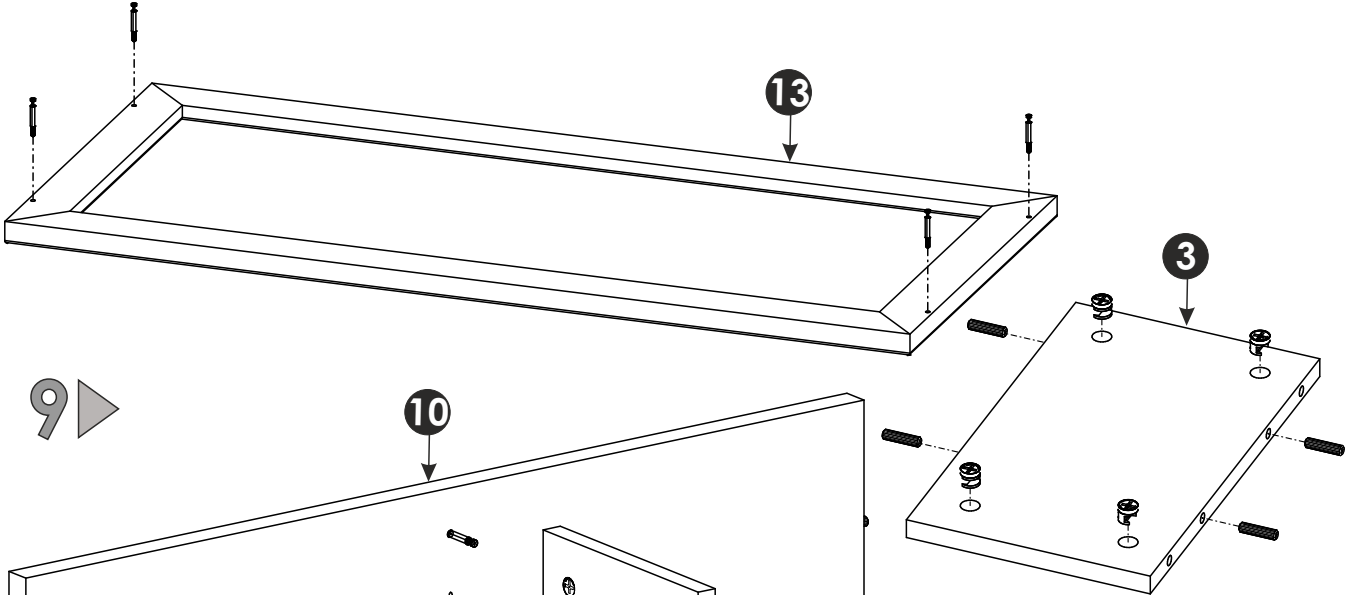
7 ▶

A0	8 x 30mm	x4
		
C7		x2
16mm		
D31	6,3 x 13 mm	x4
		
N13		x1
		L-300mm

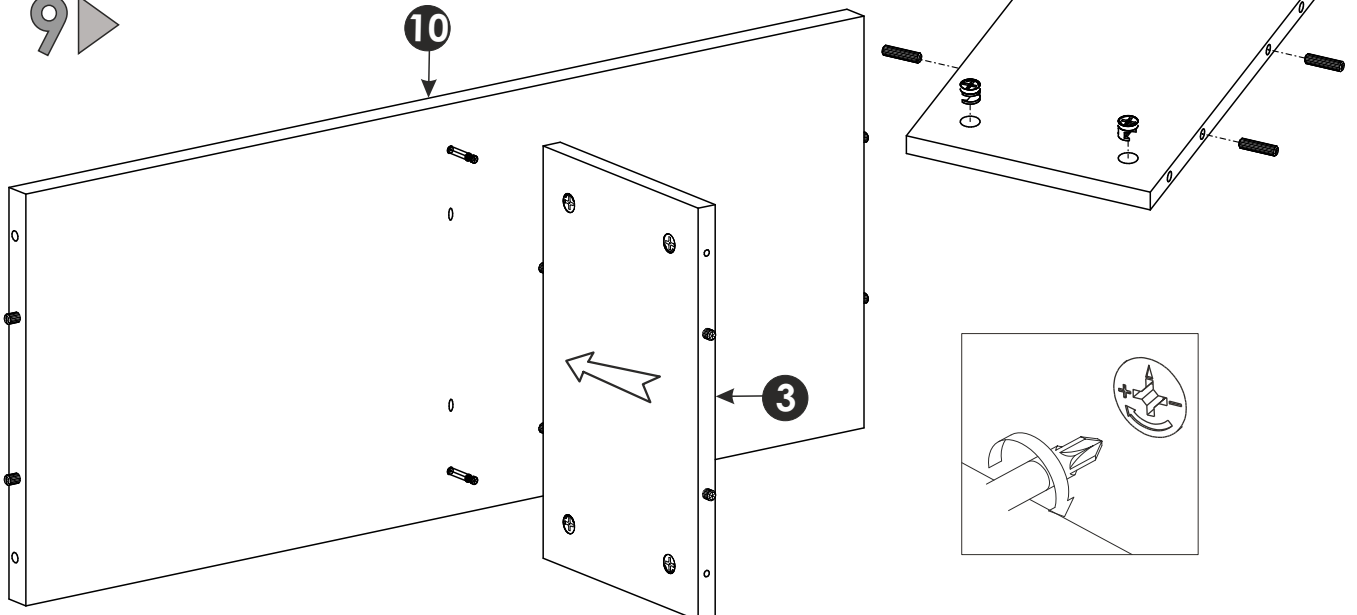


8 ▶

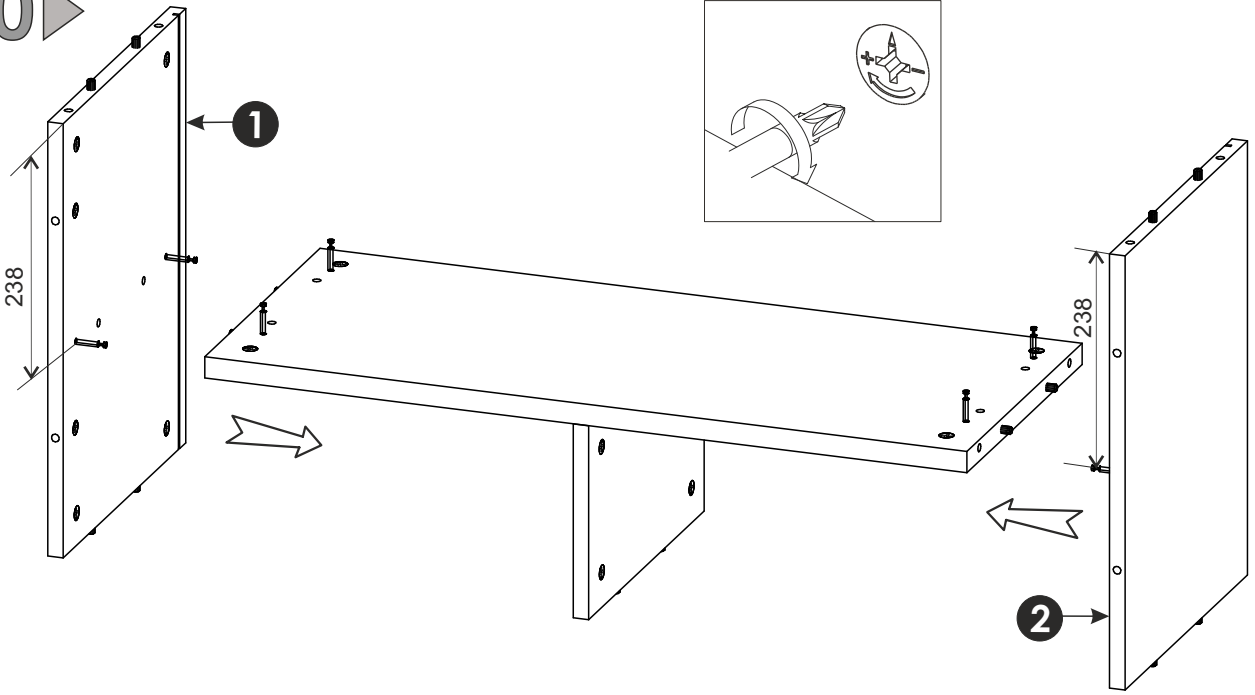
A0	8 x 30mm	x4	C2		x4	C7		x4
							16mm	



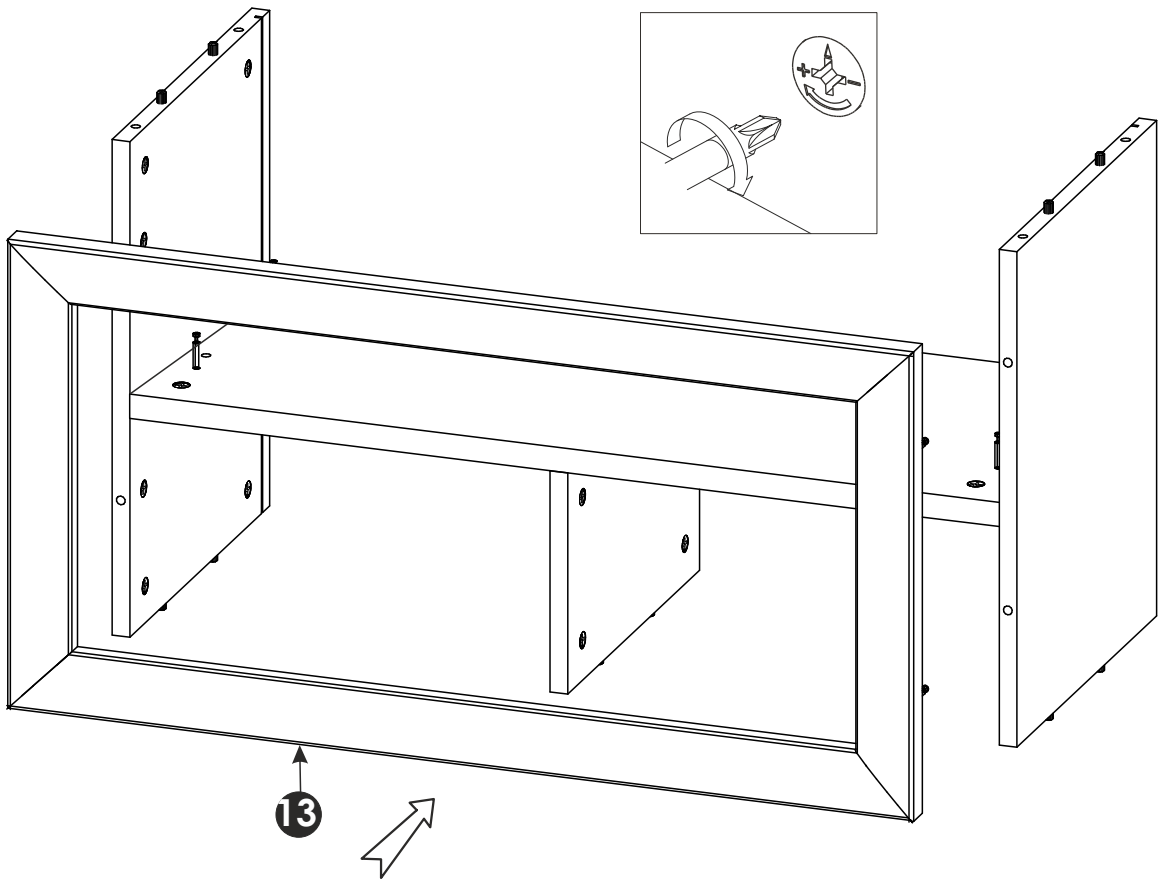
9 ▶



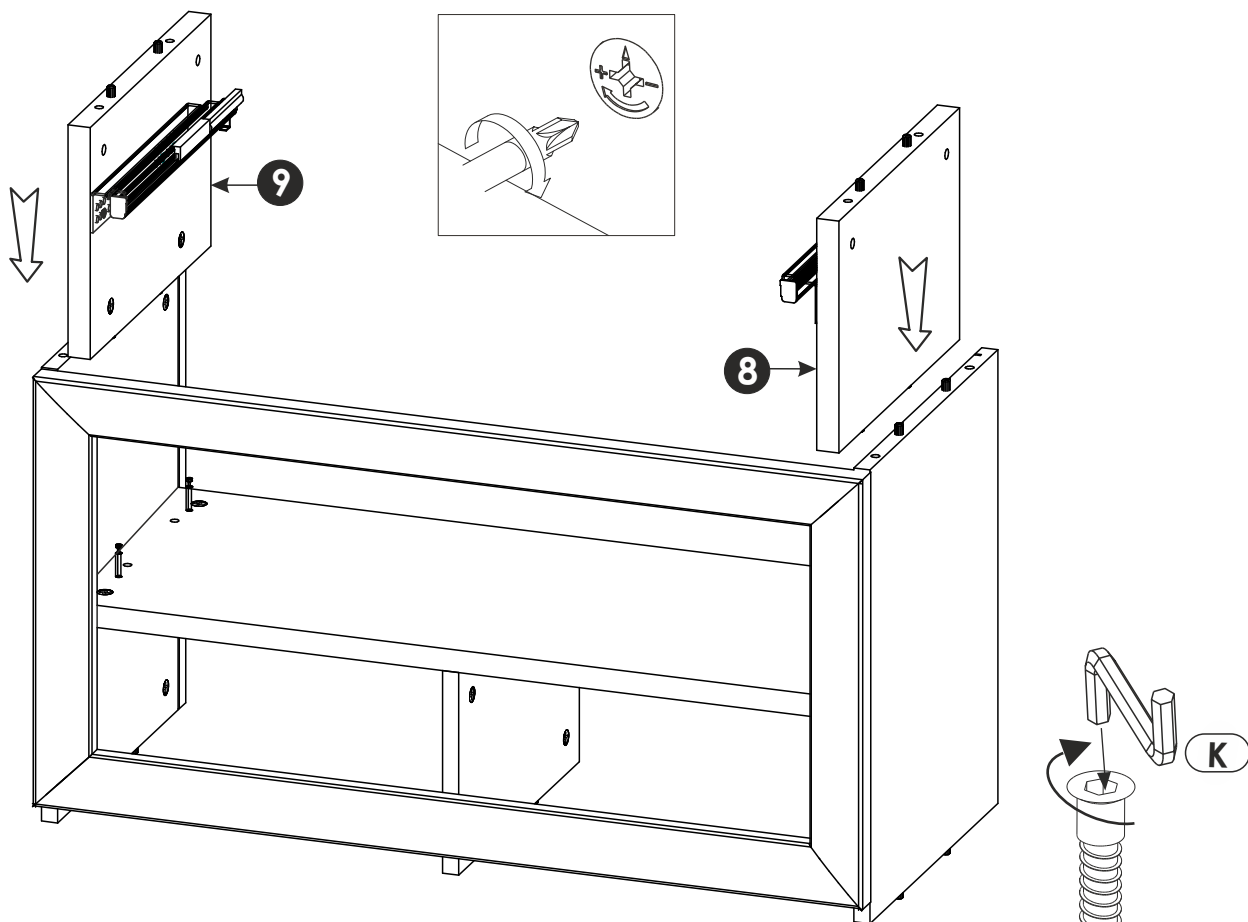
10 ▶



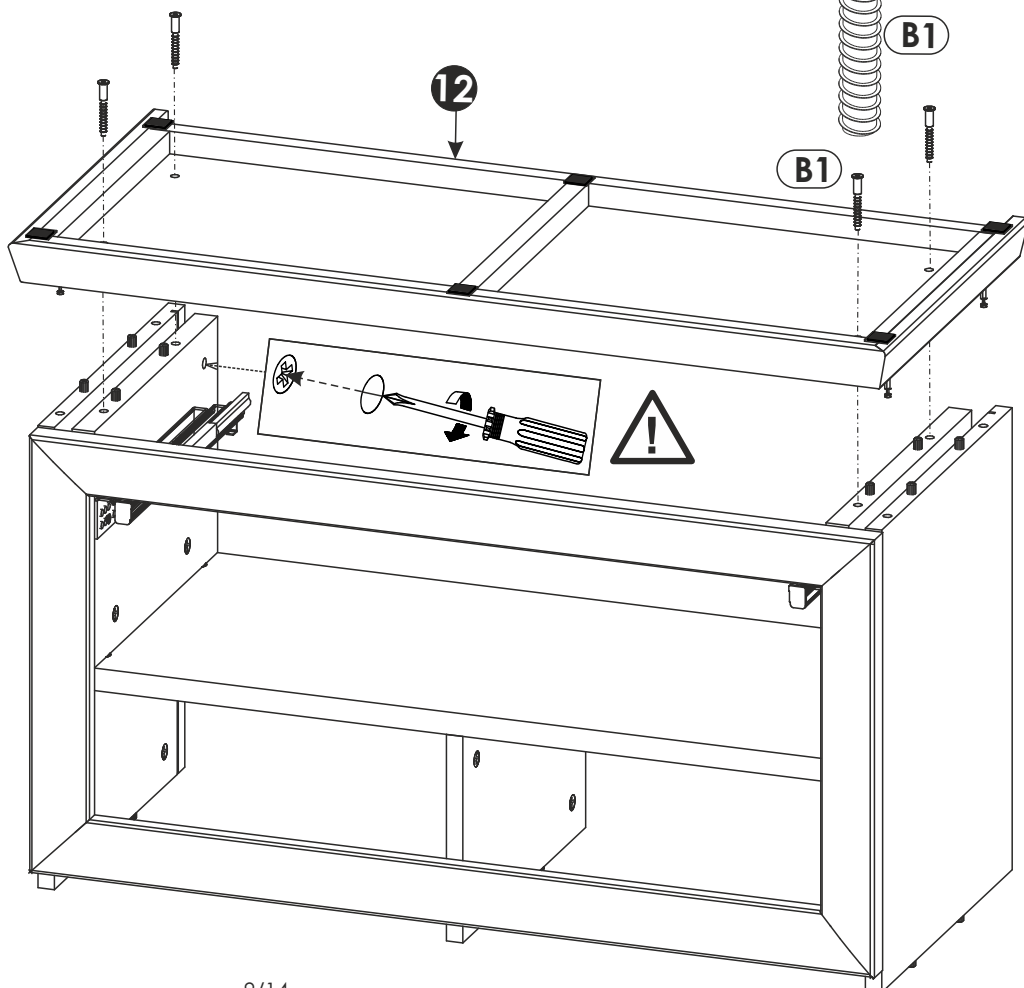
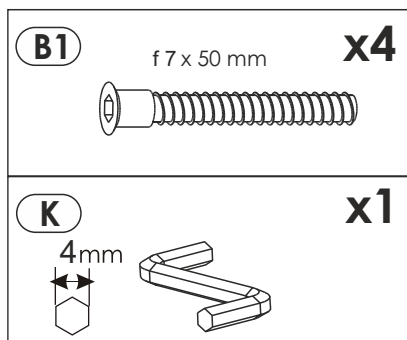
11 ▶



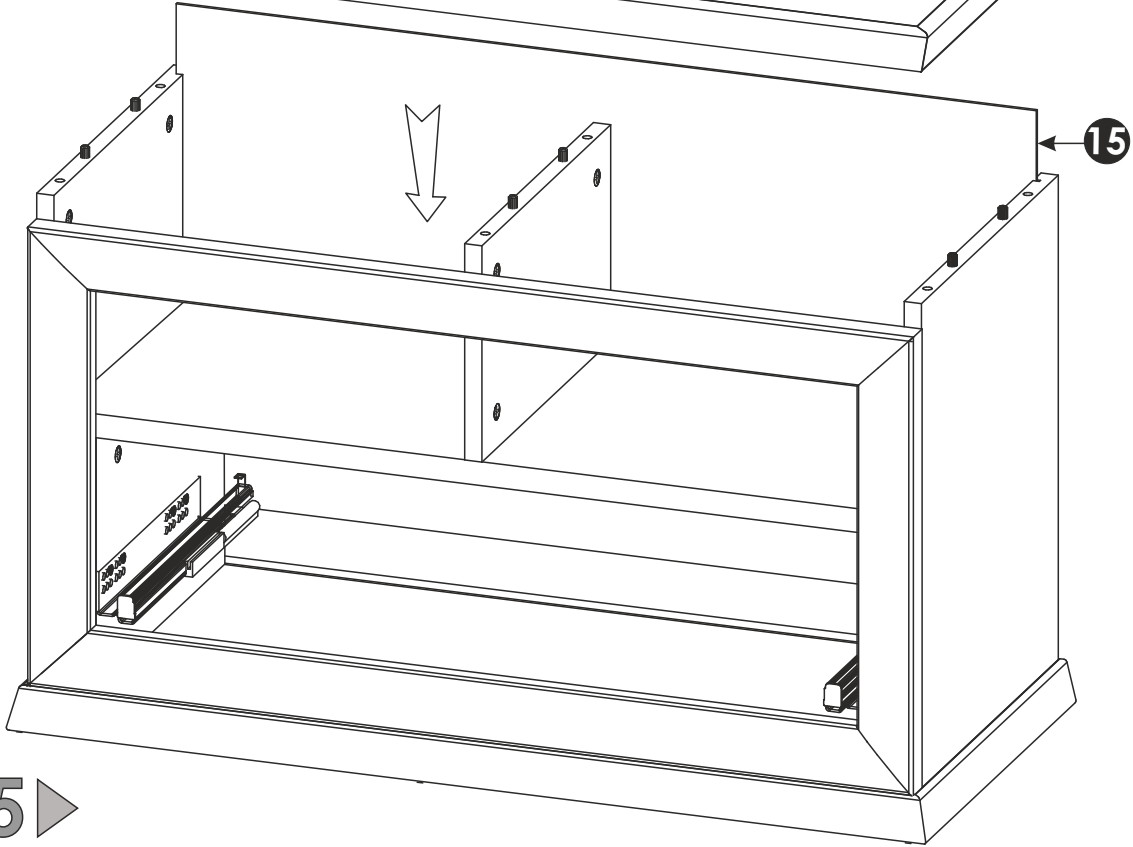
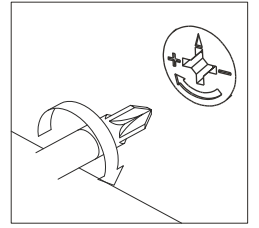
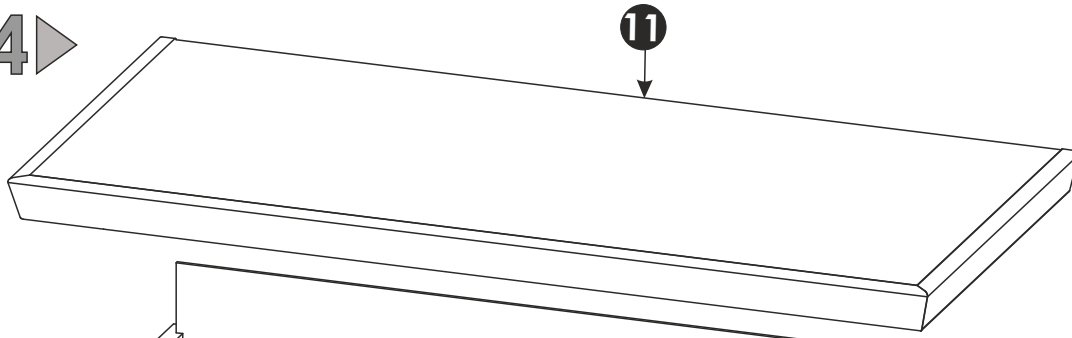
12▶



13▶

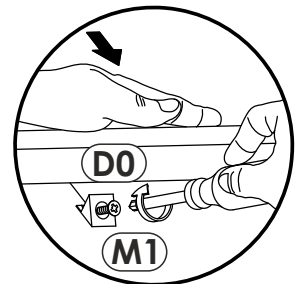
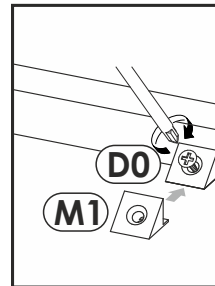
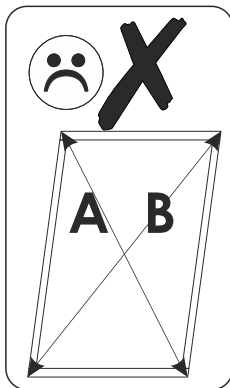
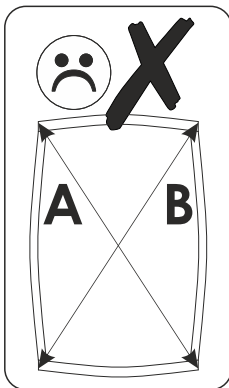
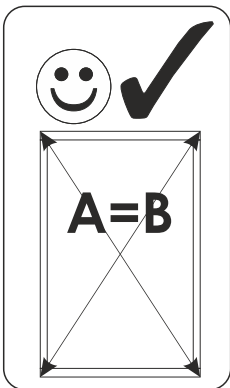


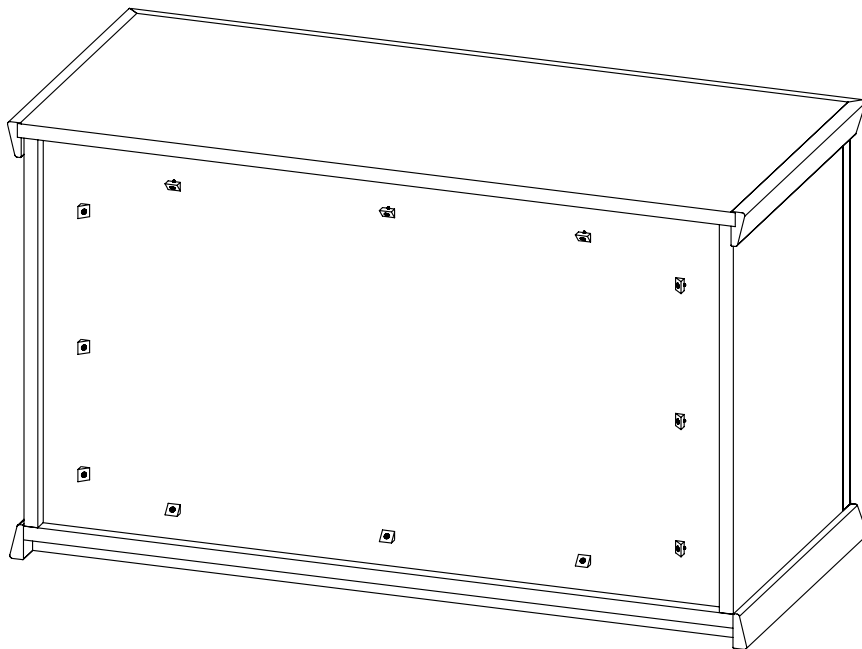
14 ▶






15 ▶

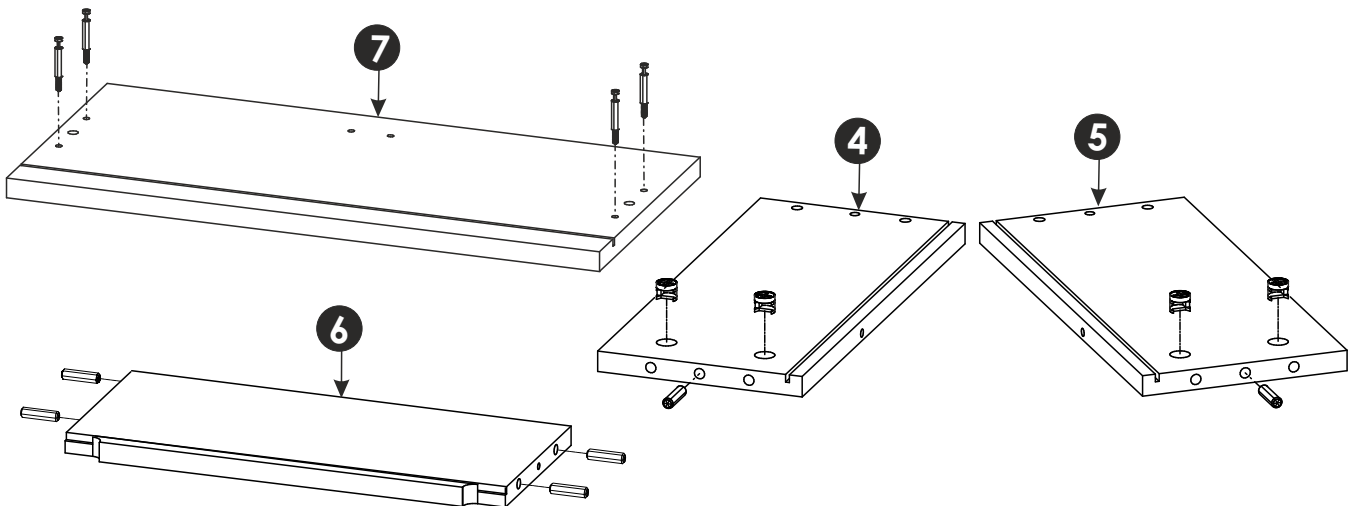
D0	3 x 15 mm	x12	M1	x12




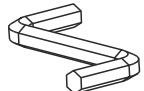


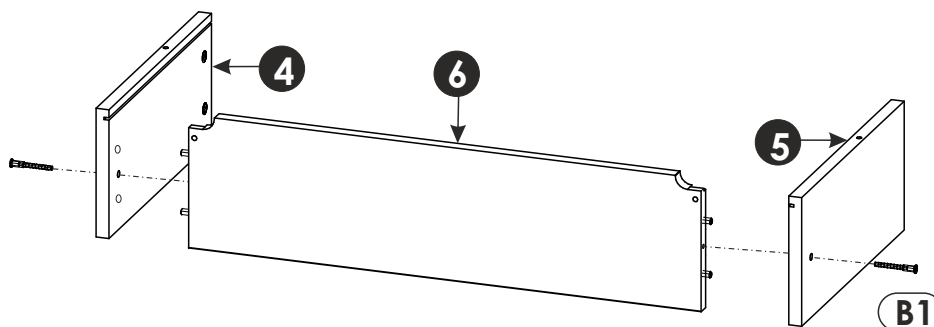
16 ▶

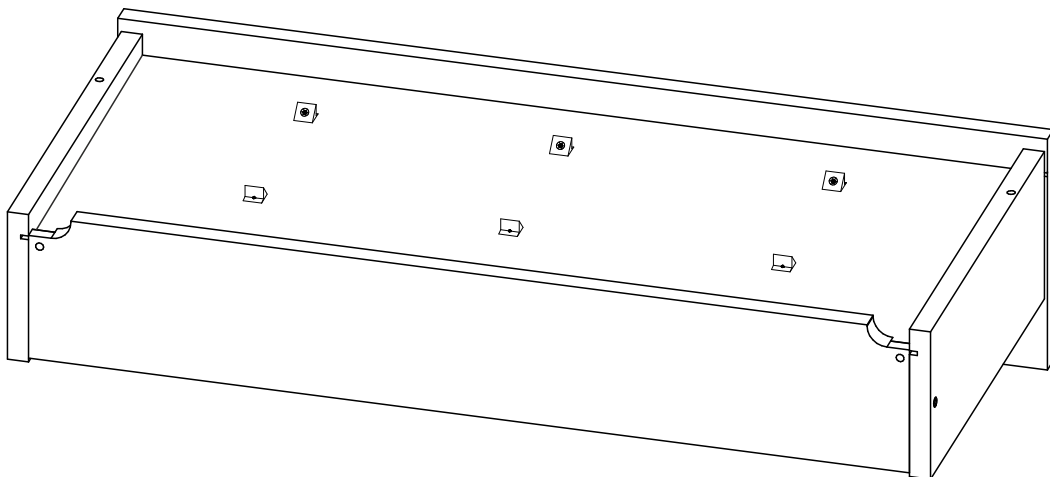
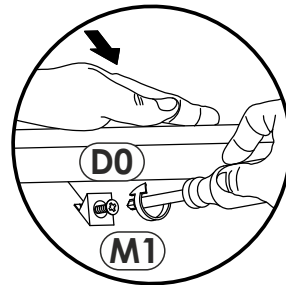
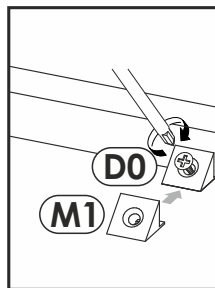
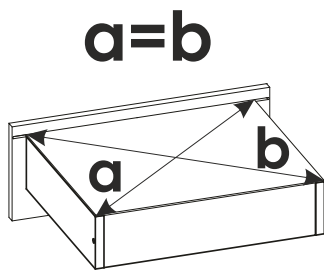
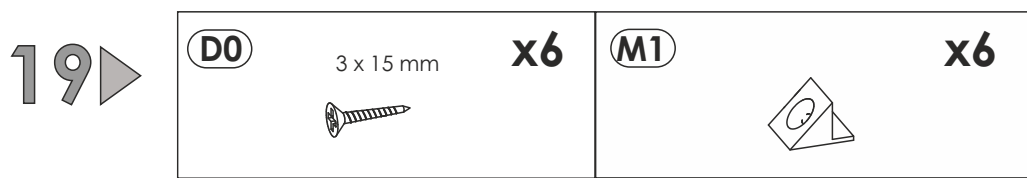
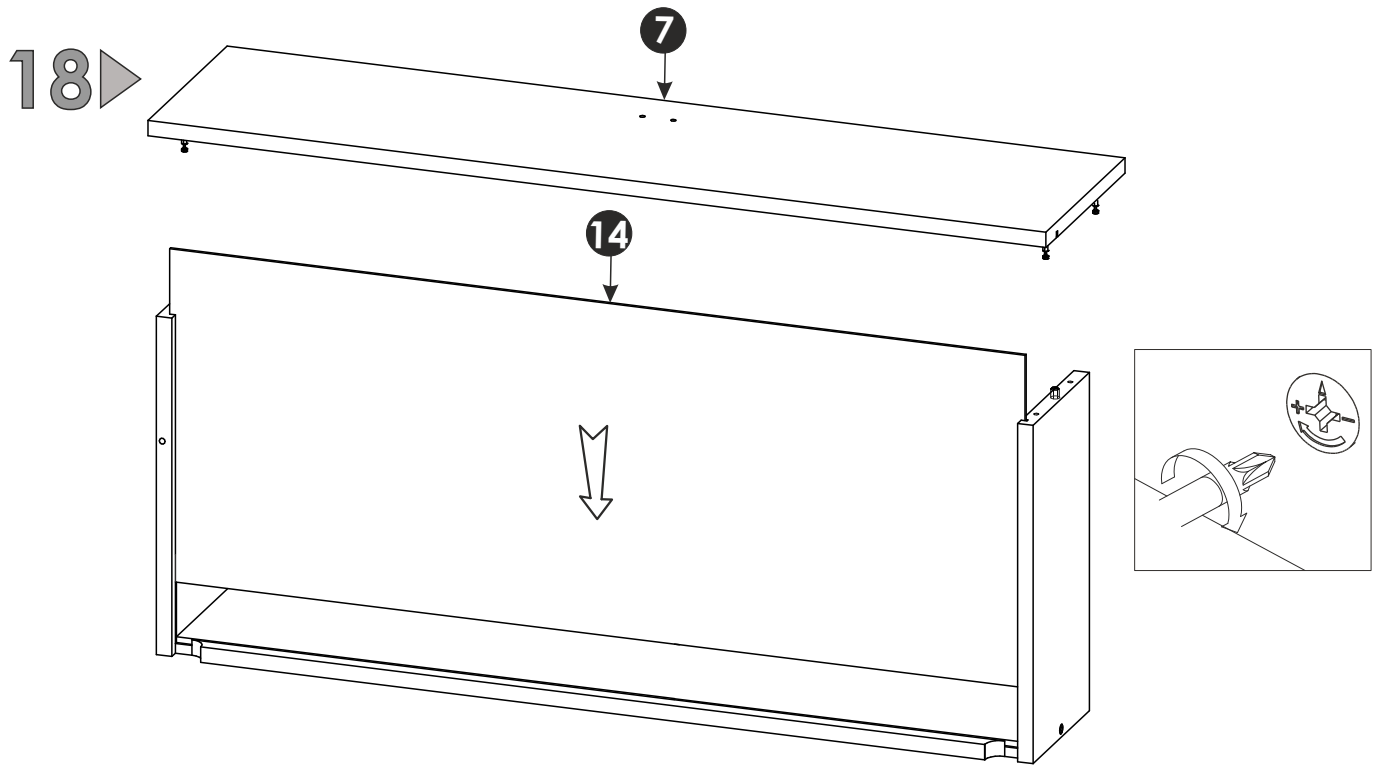
<p>A0 8 x 30mm x6</p> 	<p>C2 x4</p> 	<p>C7 x4</p> <p>16mm</p> 
---	--	--



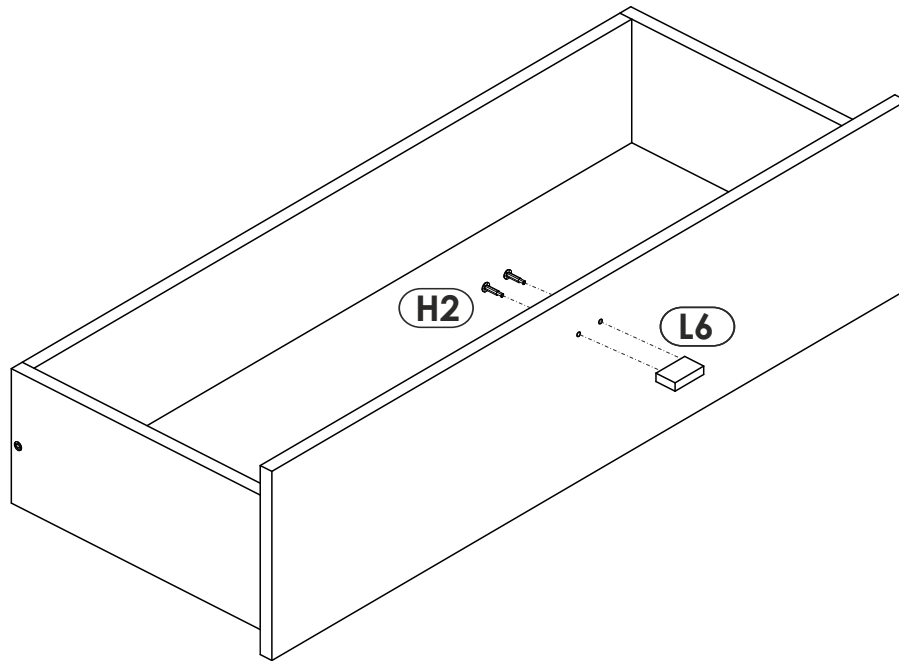
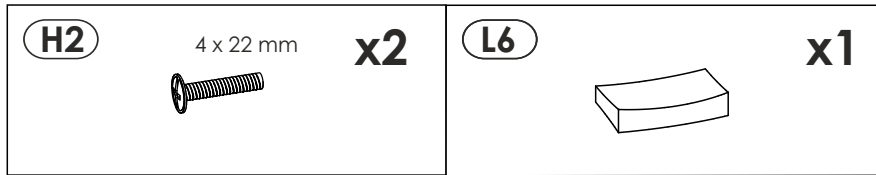
17 ▶

<p>B1 f 7 x 50 mm x2</p> 	<p>K x1</p> <p>4mm</p> 
--	---

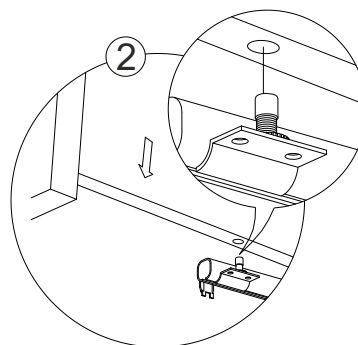
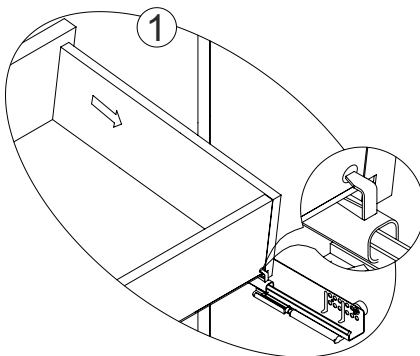
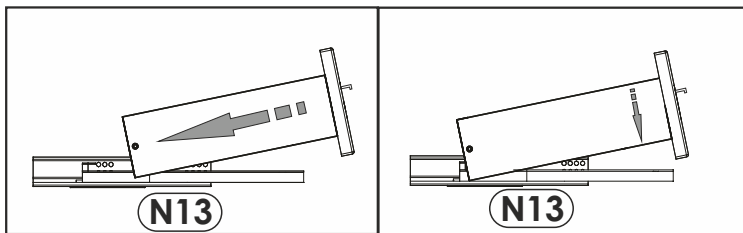
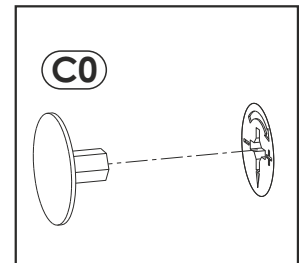
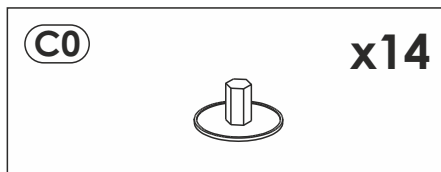


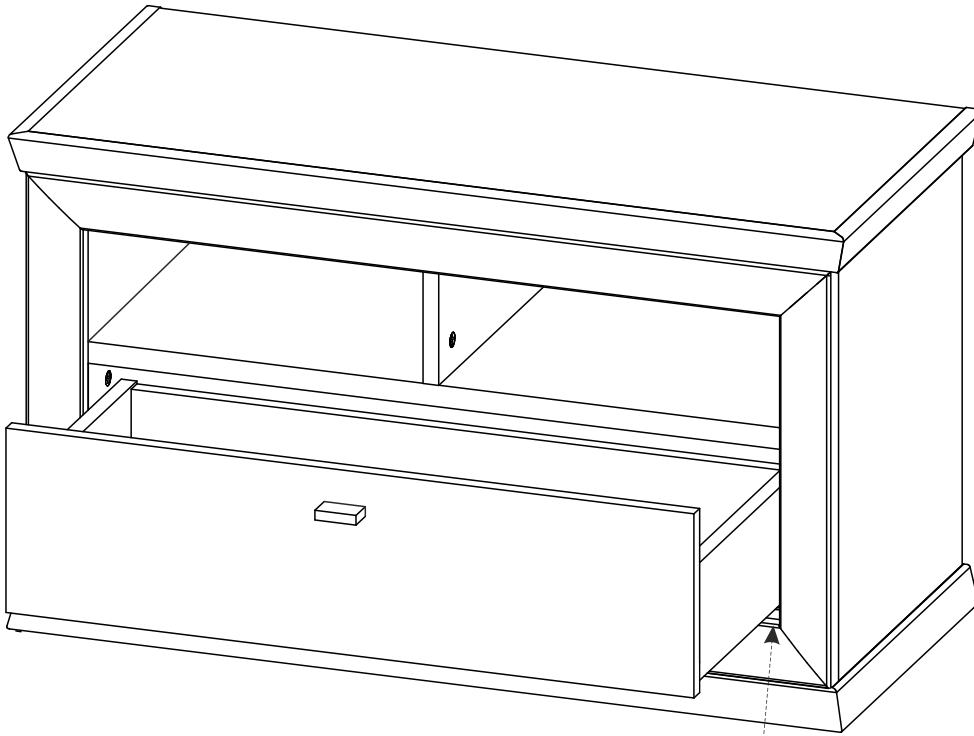


20▶



21▶





22▶

