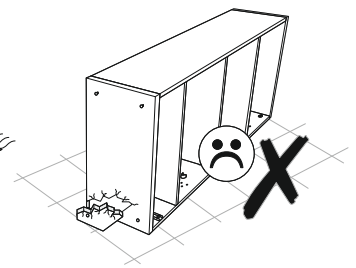
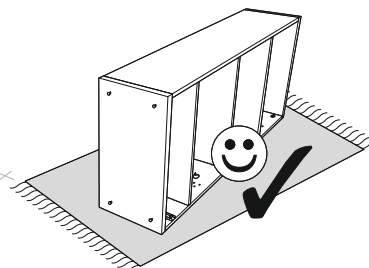
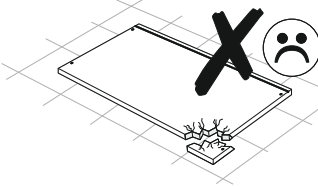
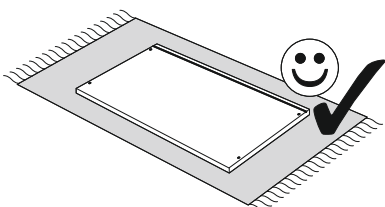
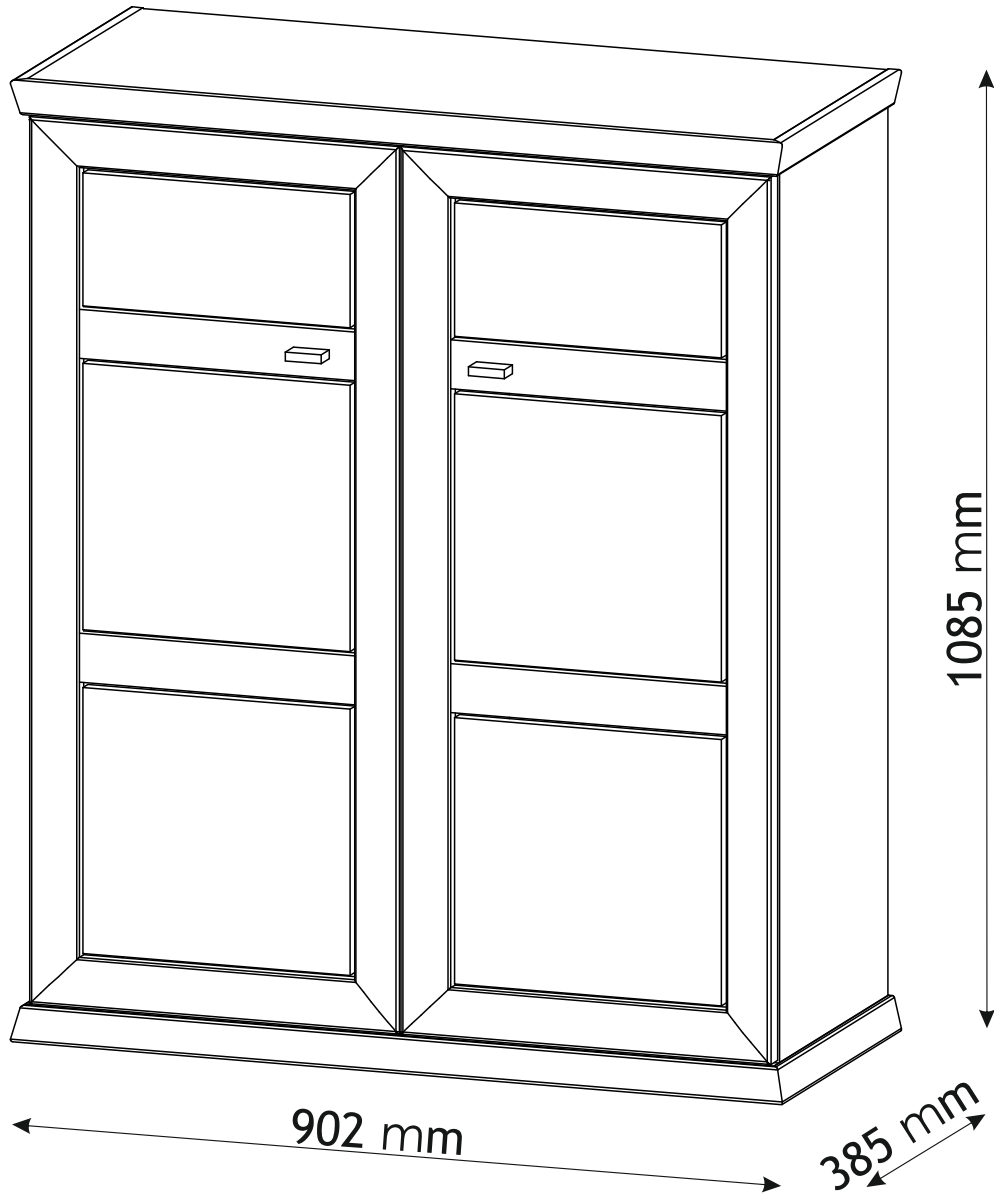
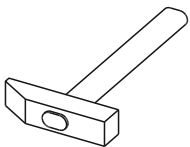

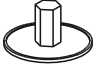
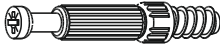


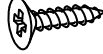

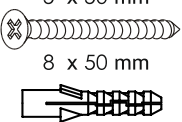

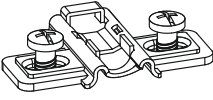
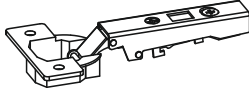

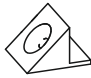
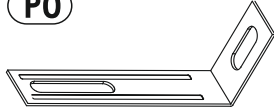
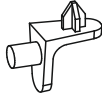

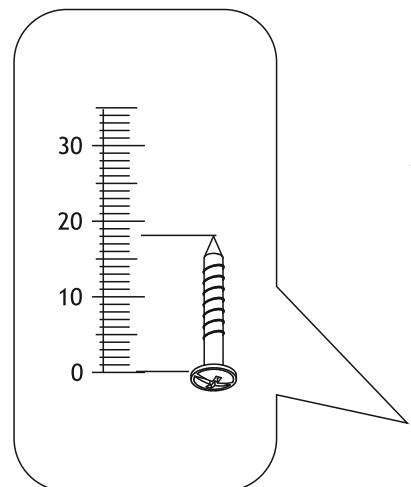
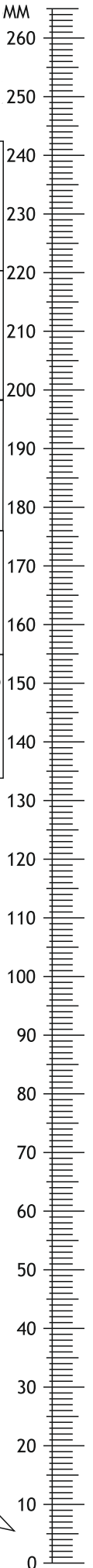



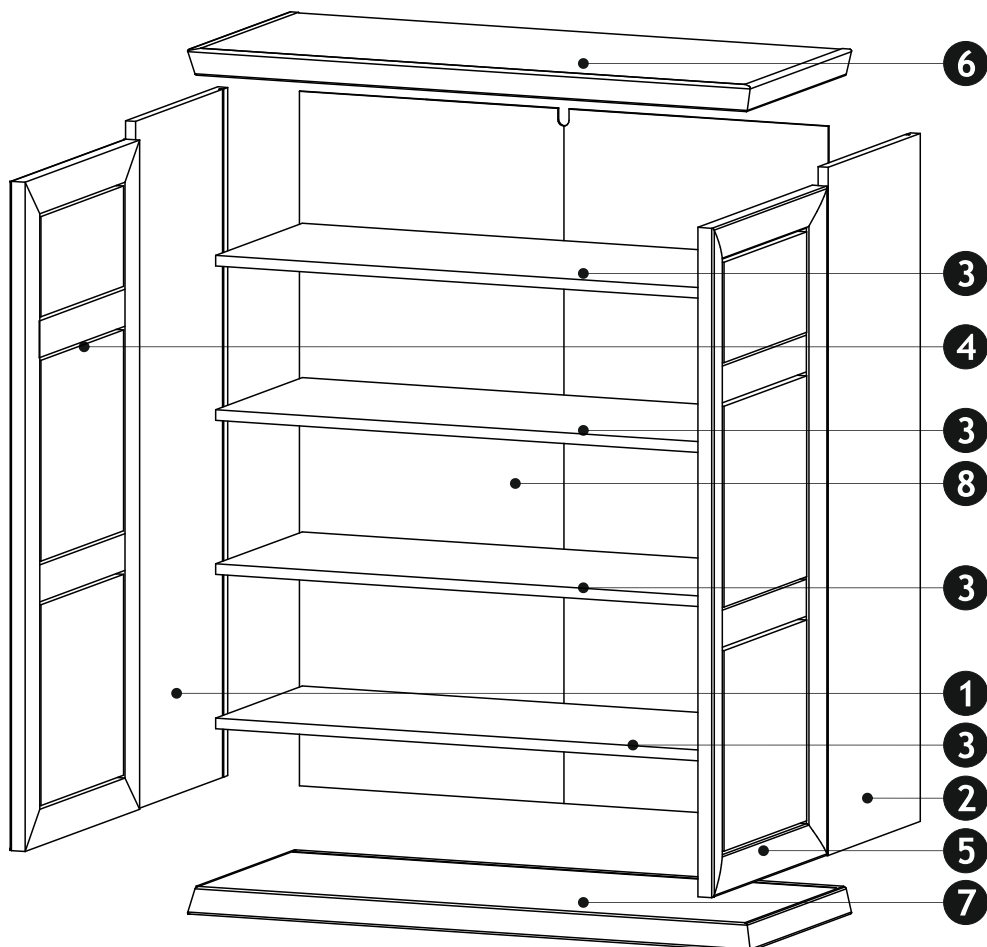
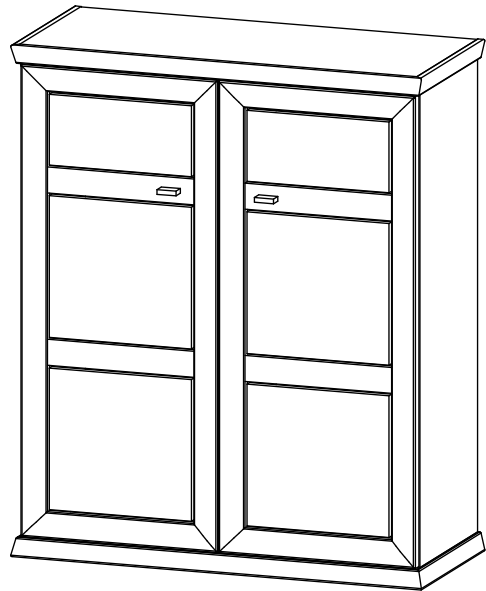
Ø8

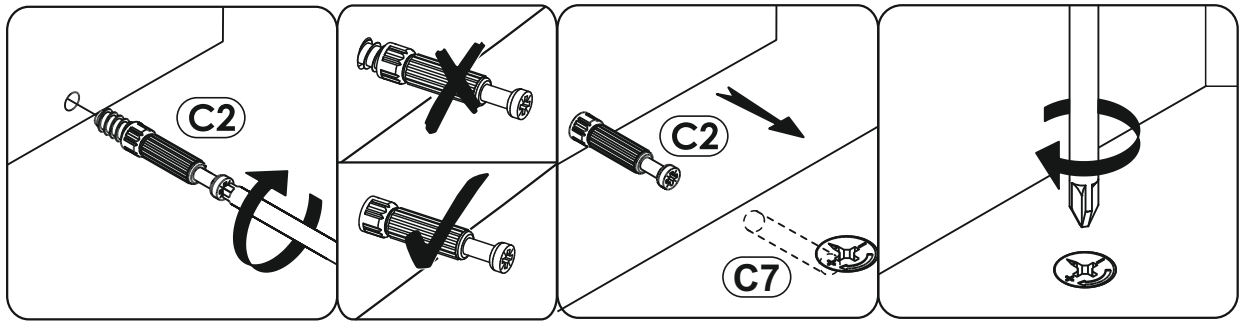


A0 8 x 30mm x8 	C0 x8 	C2 x8 
C7 x8 16mm 	D0 3 x 15 mm x16 	D10 4 x 16 mm x8 
D21 5 x 13 mm x1 	E0 5 x 50 mm x1 8 x 50 mm 	H2 4 x 22 mm x4 
J3 x4 	J10 x4 	L6 x2 
M1 x16 	P0 x1 	Q3 x16 
U2 x4 		



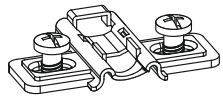
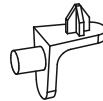


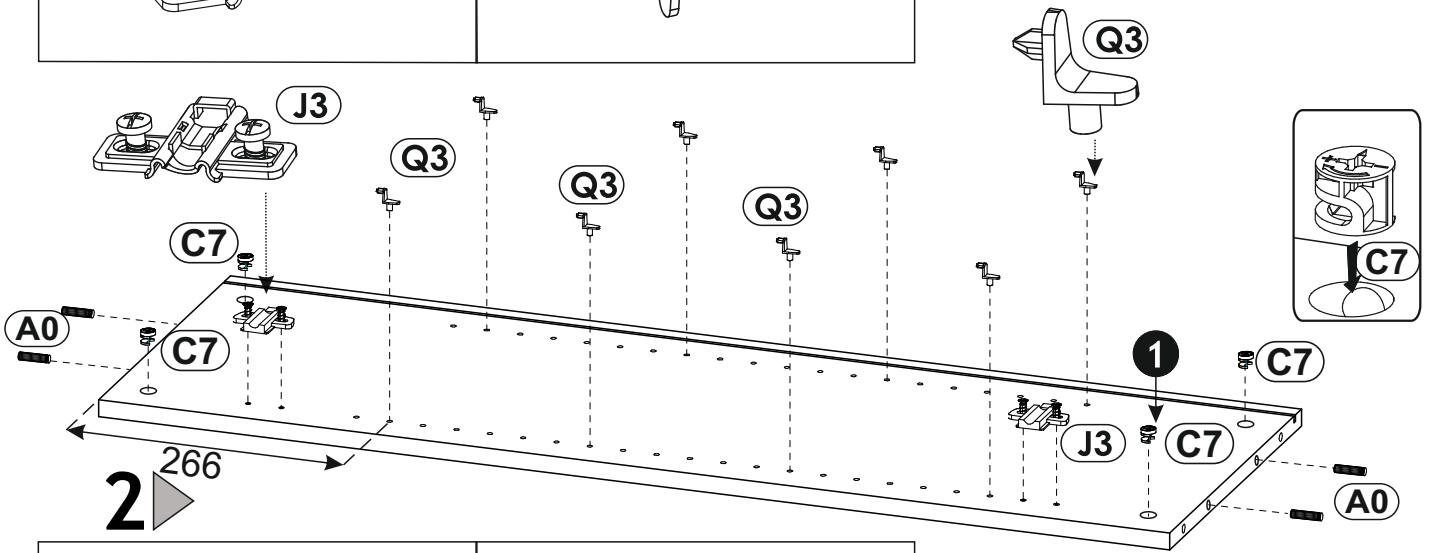
1	1028	348	16	x1	1/3
2	1028	348	16	x1	1/3
3	838	328	16	x4	1/3
4	1000	432	25	x1	3/3
5	1000	432	25	x1	3/3
6	902	385	40	x1	2/3
7	902	385	40	x1	2/3
8	1038	848	2,8	x1	3/3
					1/3





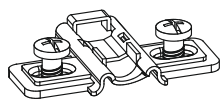
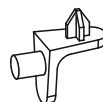


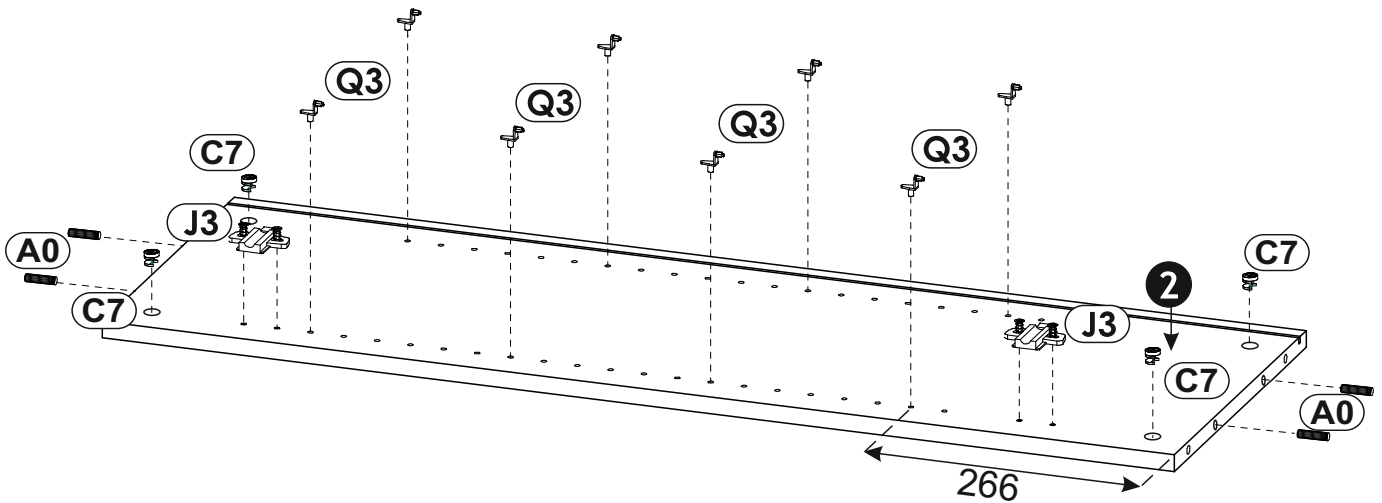
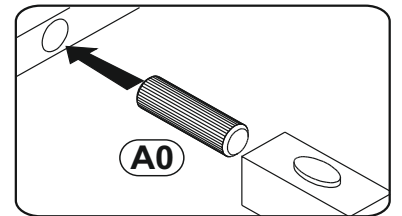
1

(A0) 8 x 30mm 	x4	(C7) 16mm 	x4
(J3) 	x2	(Q3) 	x8



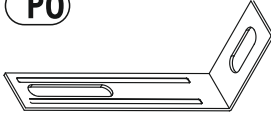


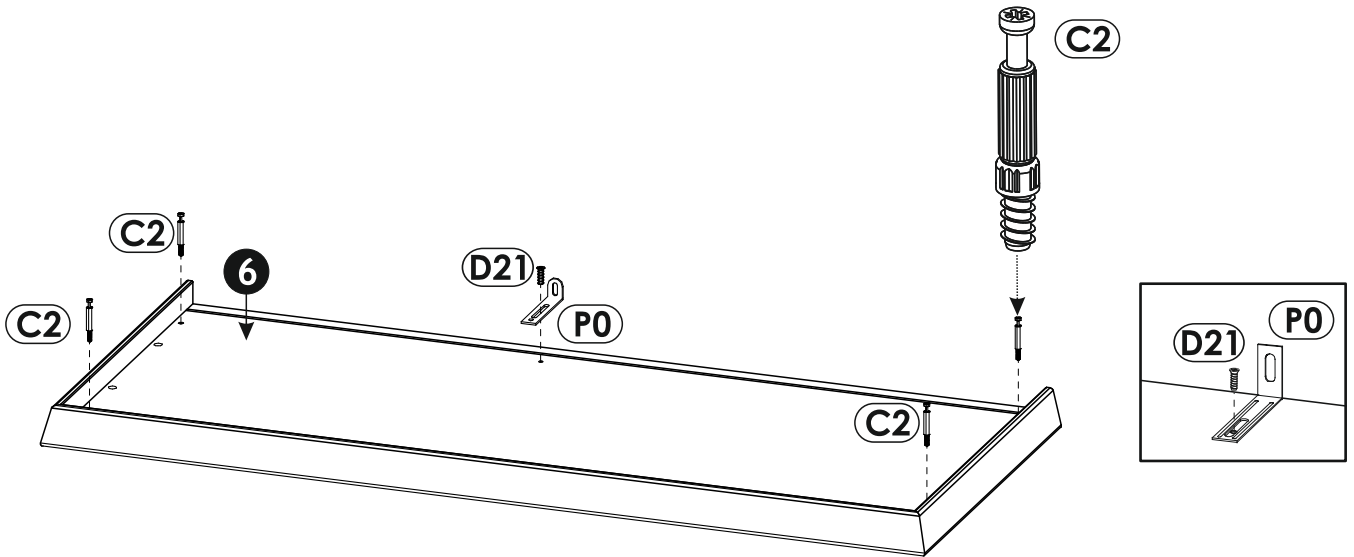
2

(A0) 8 x 30mm 	x4	(C7) 16mm 	x4
(J3) 	x2	(Q3) 	x8





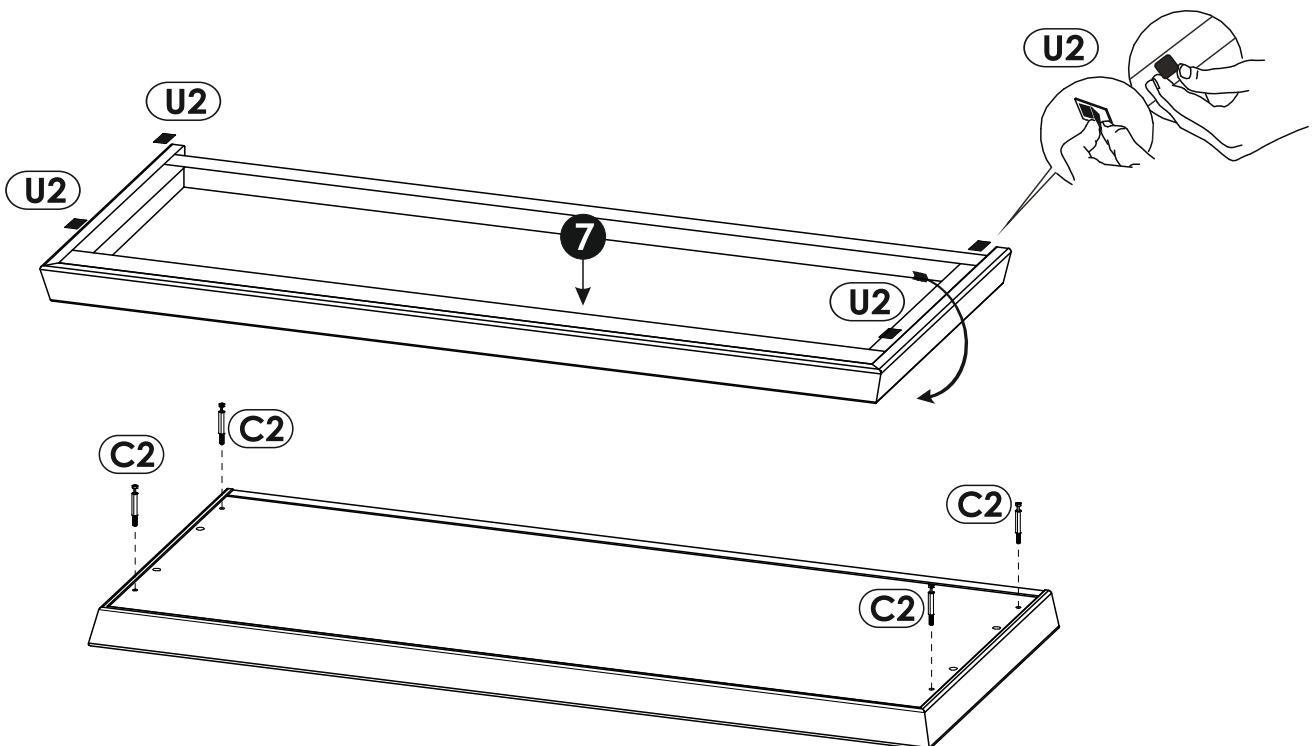
3 ▶

C2 	x4	D21 5 x 13 mm 	x1	P0 	x1
--	-----------	--	-----------	--	-----------



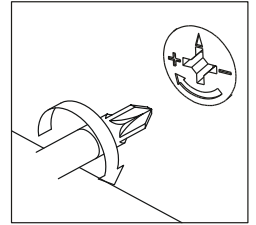
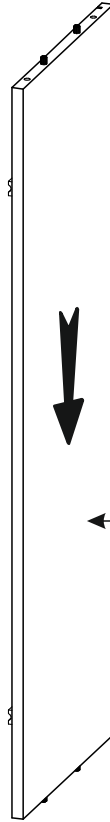
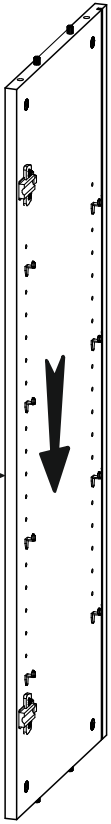
4 ▶

C2 	x4	U2 	x4
--	-----------	--	-----------

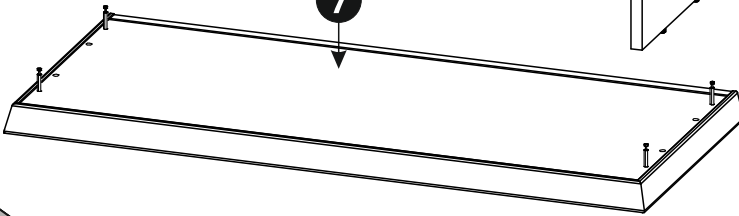


5 ▶

1 →

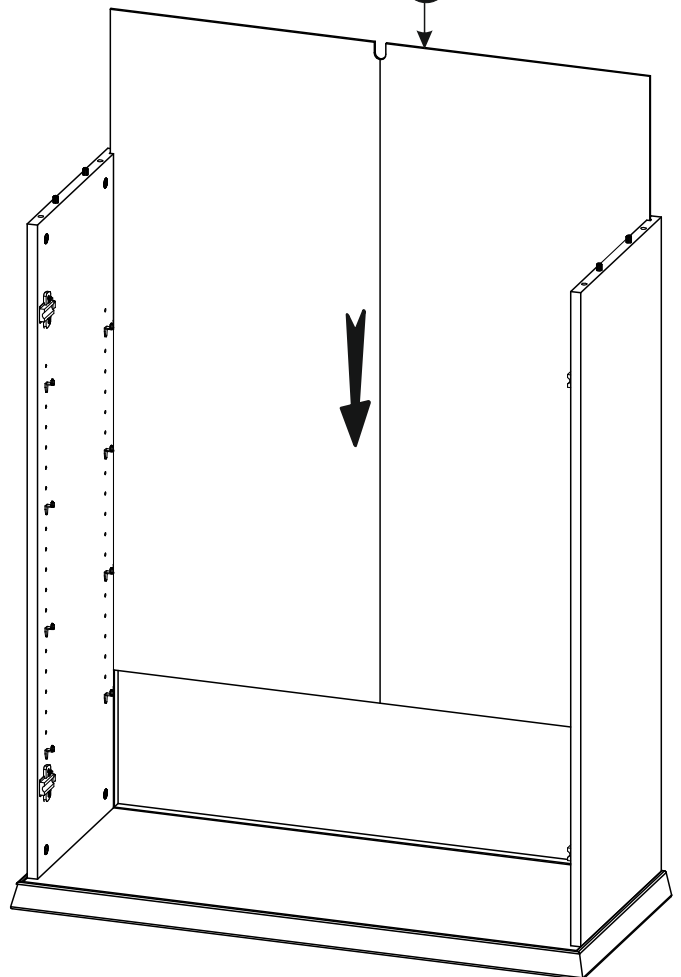


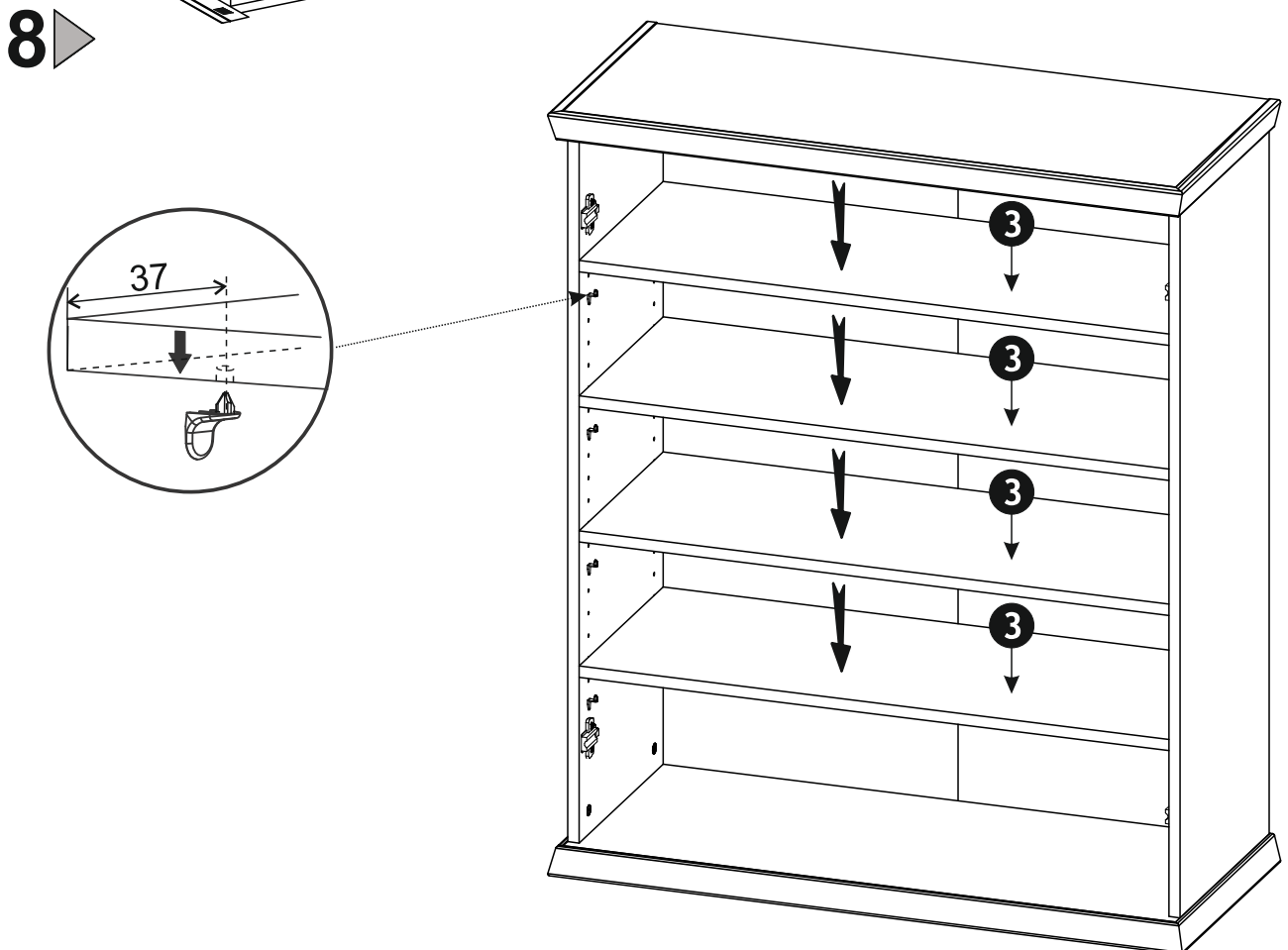
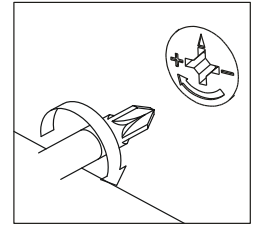
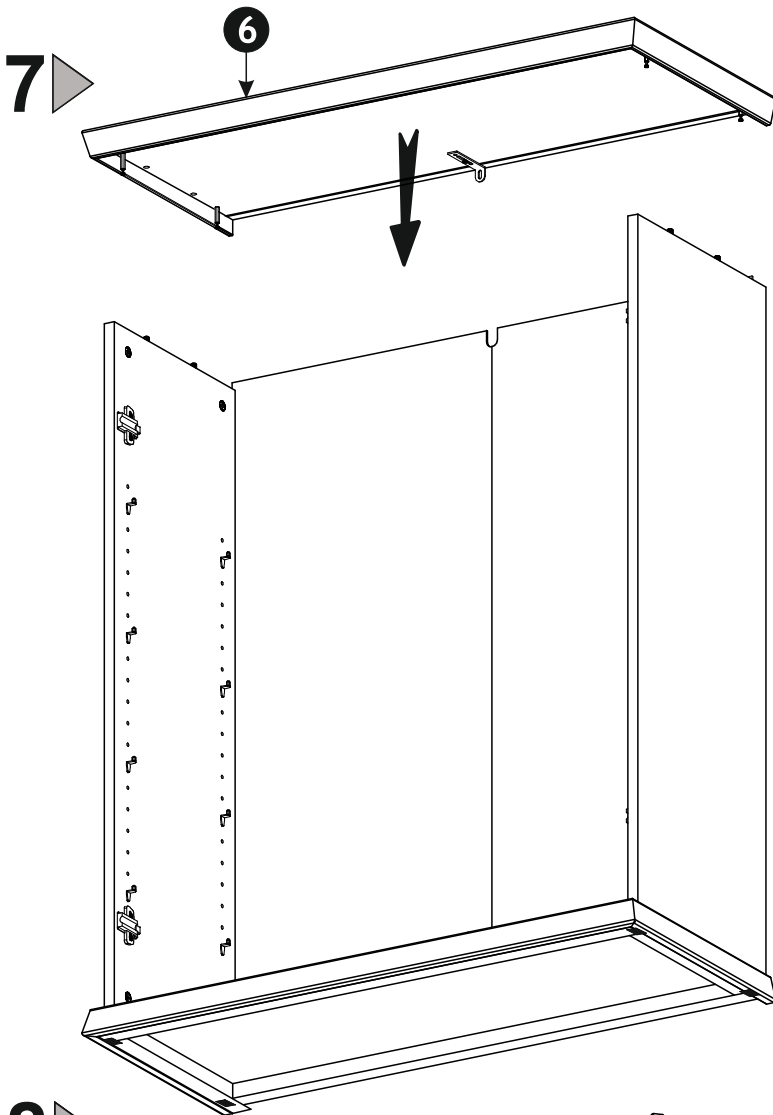
7 ↓





6 ▶

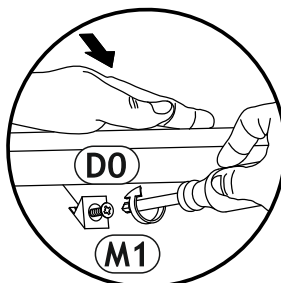
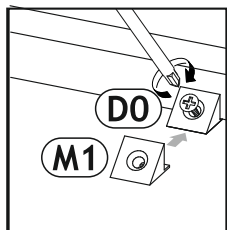
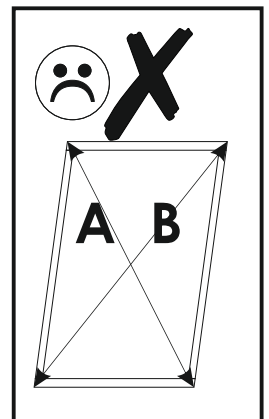
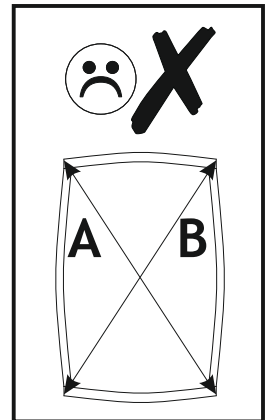
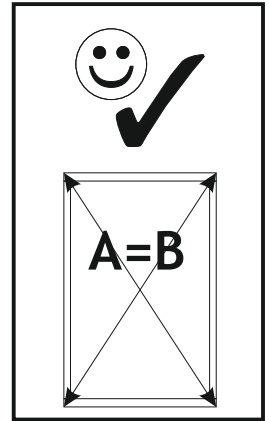
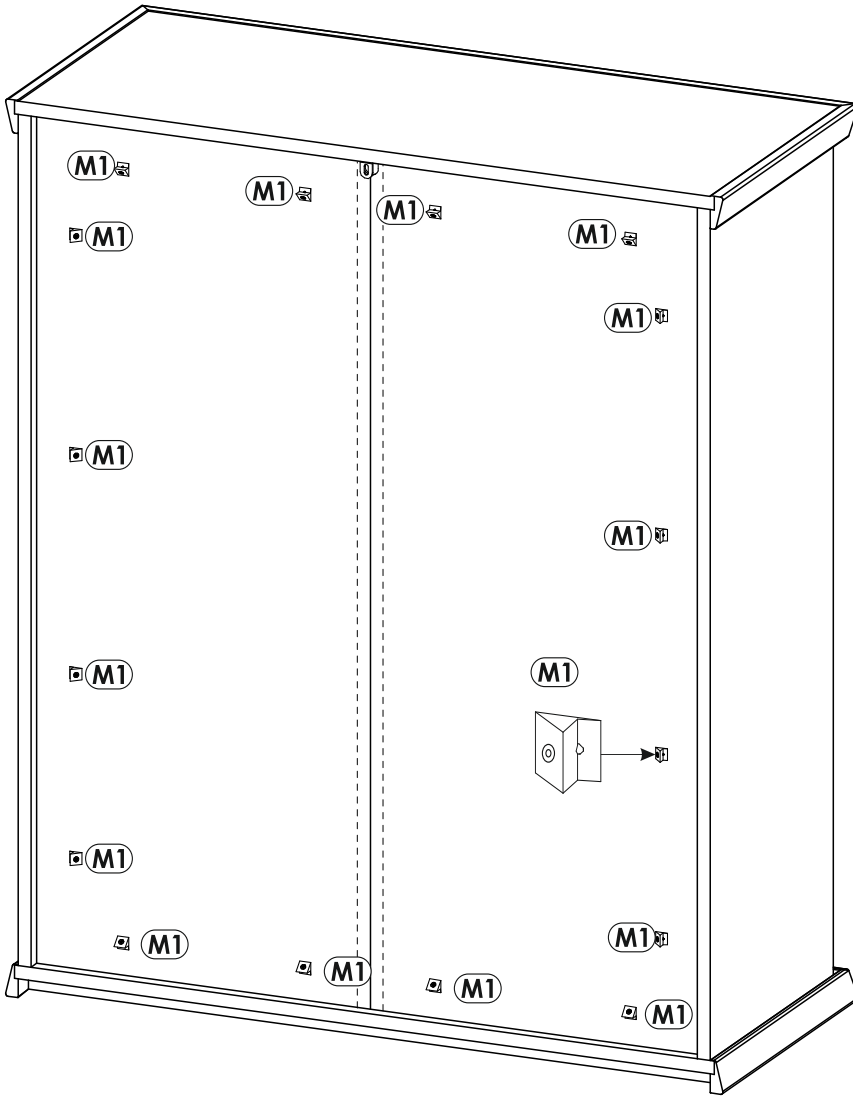
8 ↓





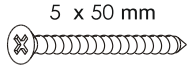
9 ▶

(D0) 3 x 15 mm 	x16	(M1) 	x16
---	------------	--	------------



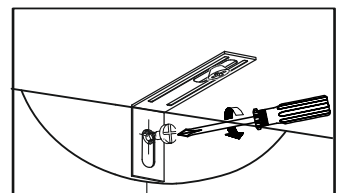
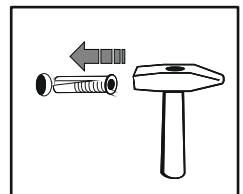
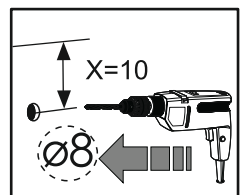
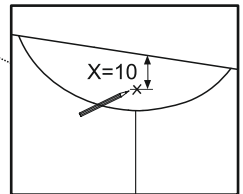
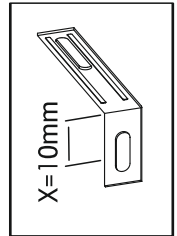
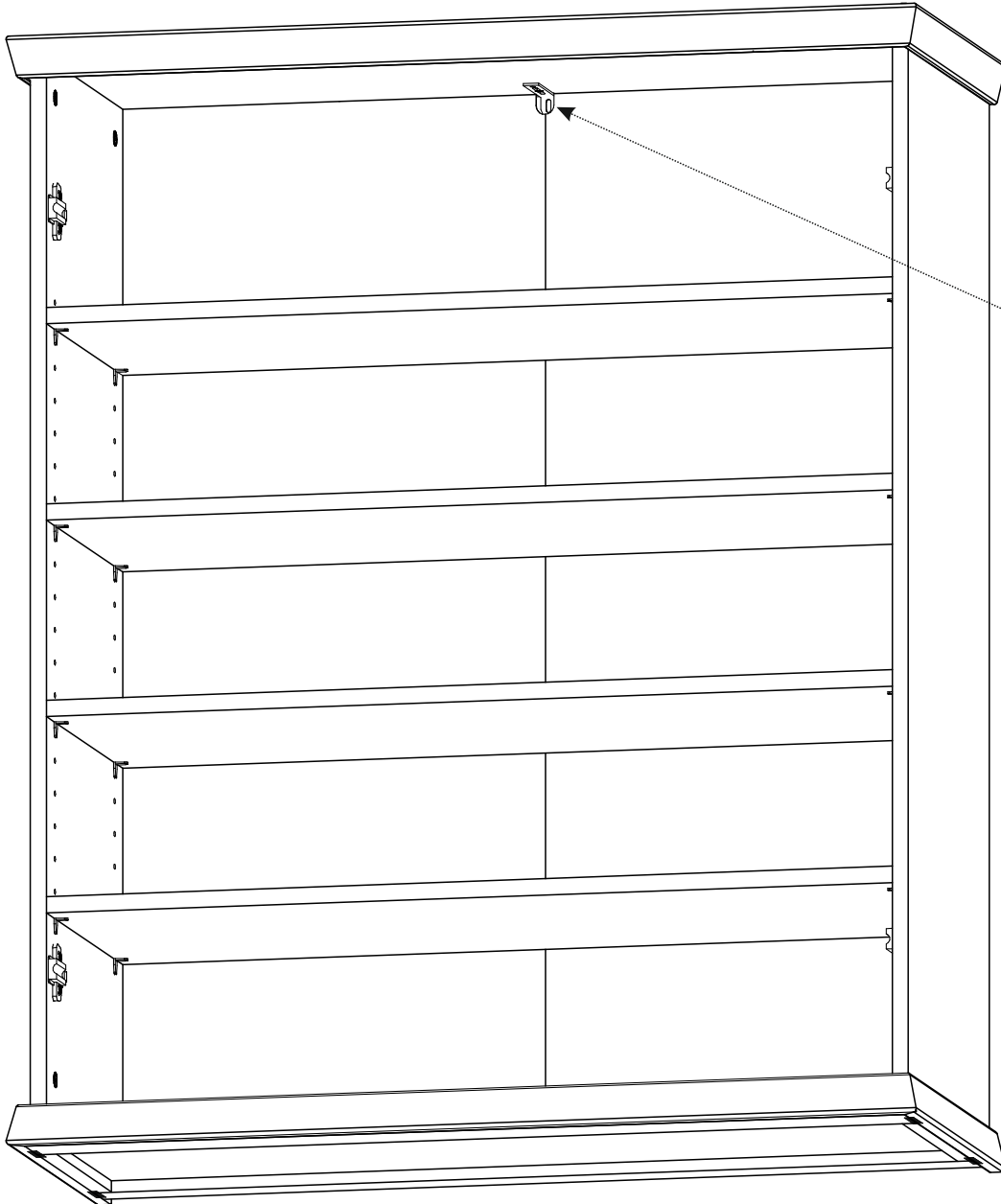
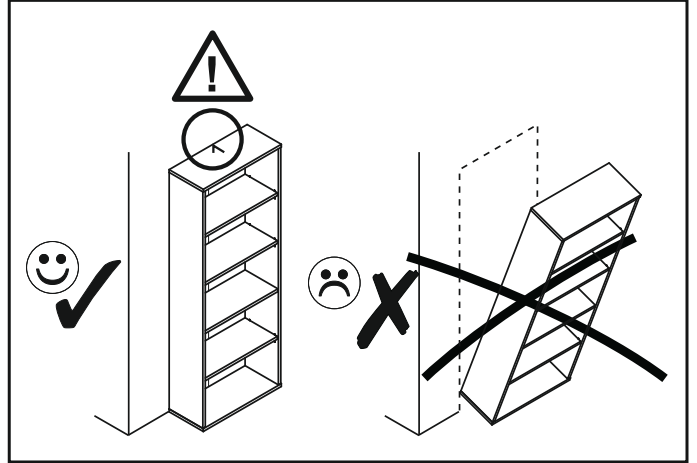
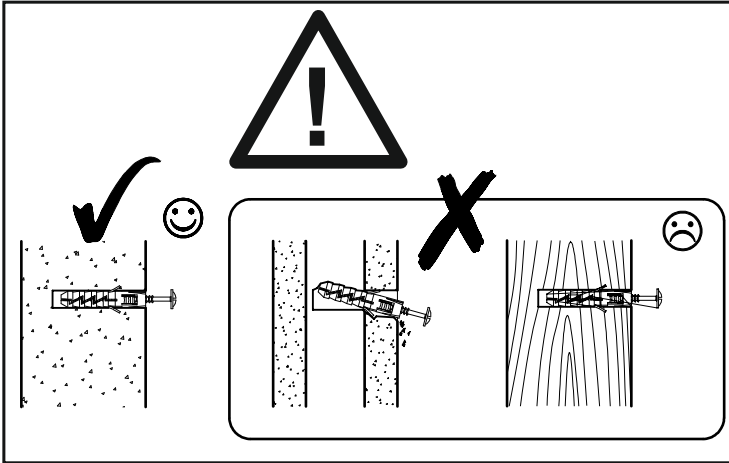
10 ▶

EO

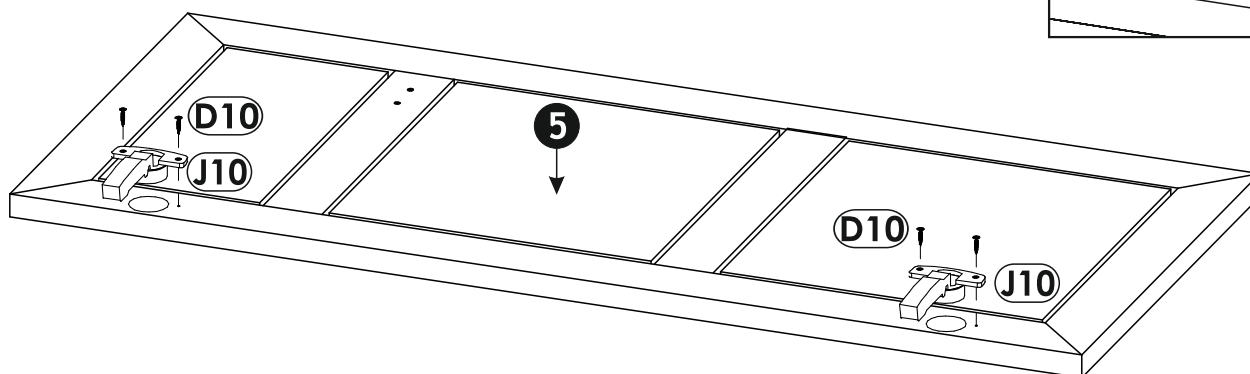
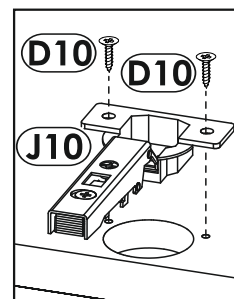
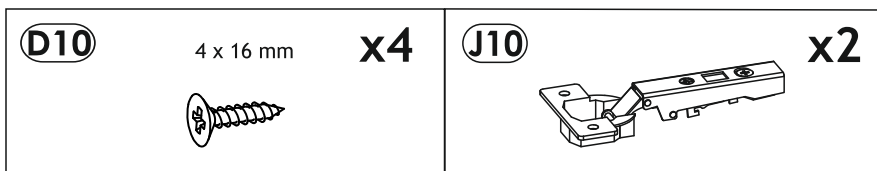


x1

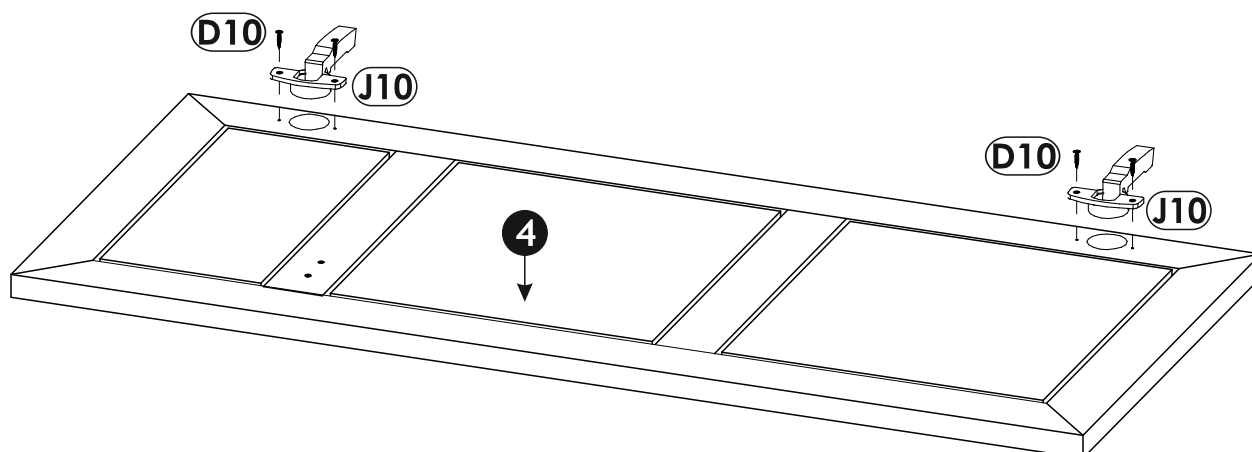
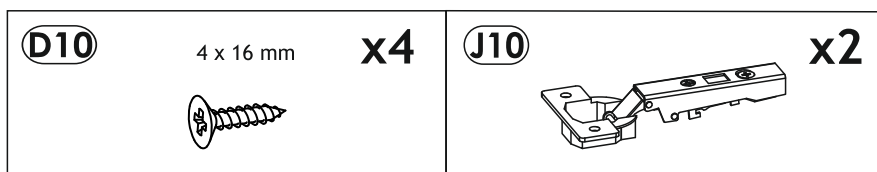
8 x 50 mm



11 ▶



12 ▶



13 ▶

C0	x8	H2	4 x 22 mm	x4	L6	x2
