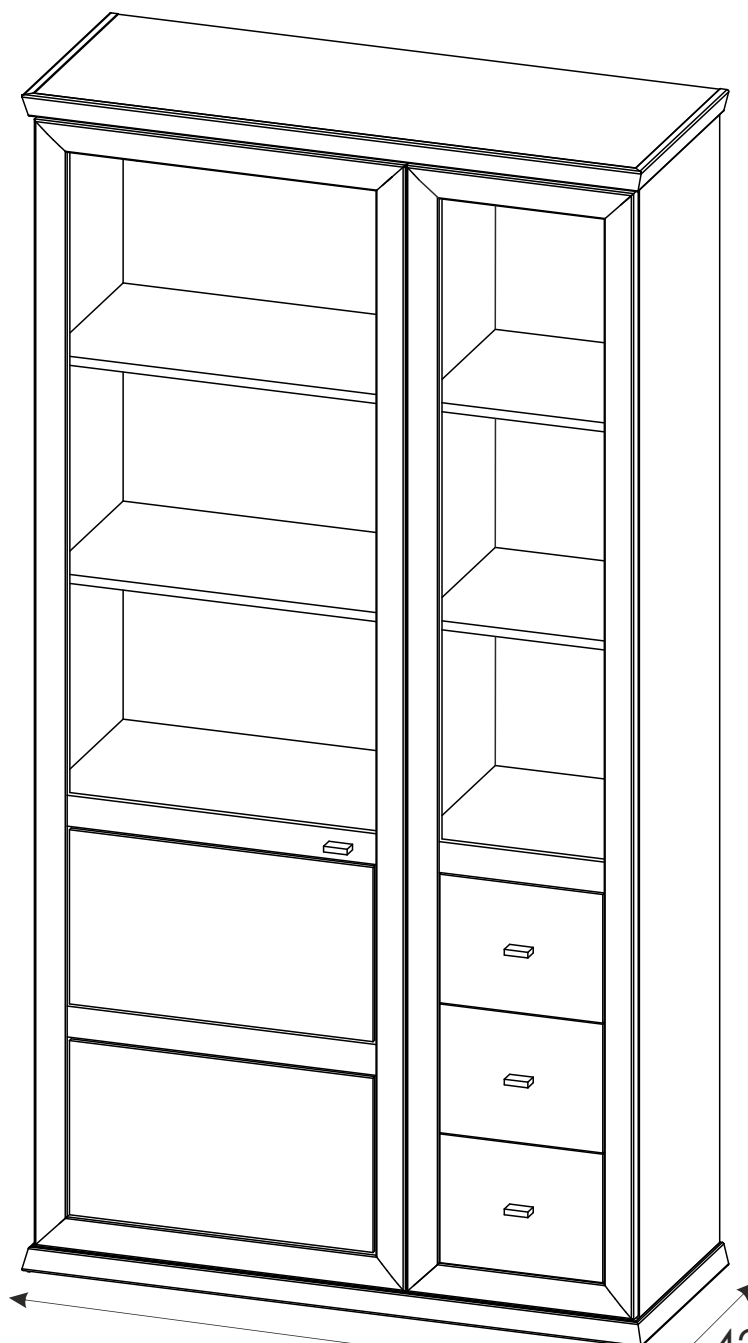


Ø5  
Ø8

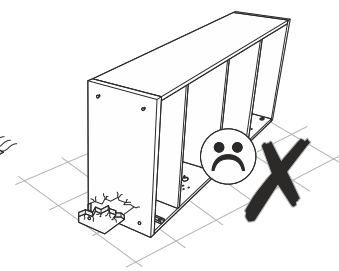
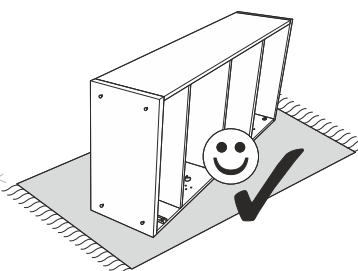
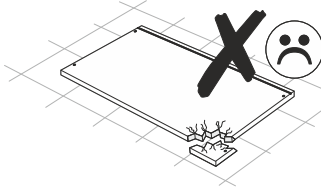
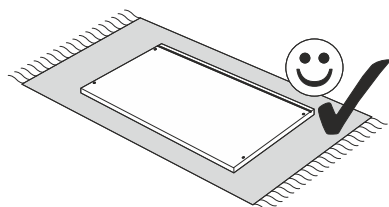








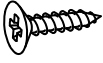


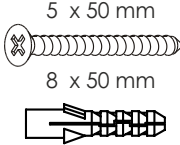



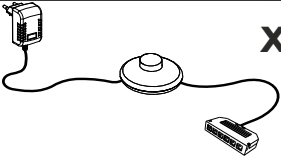


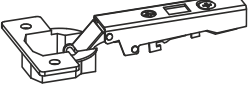
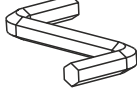


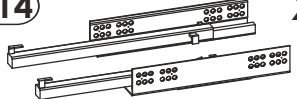
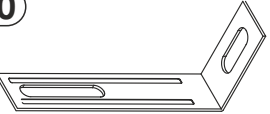
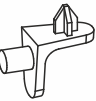

2092 mm

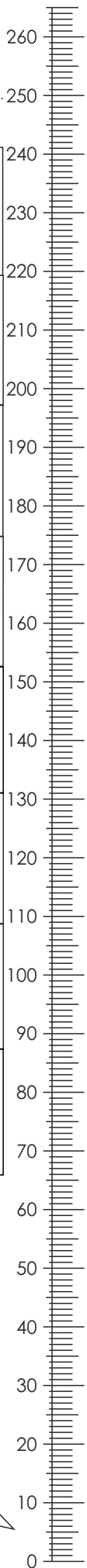
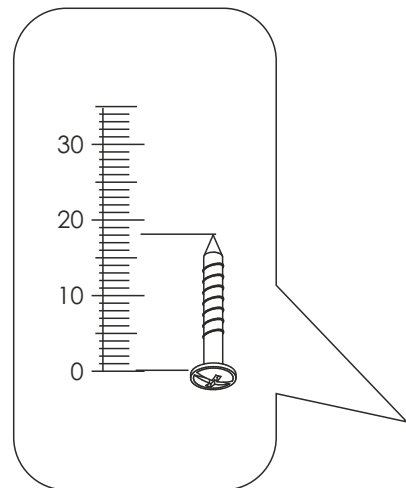


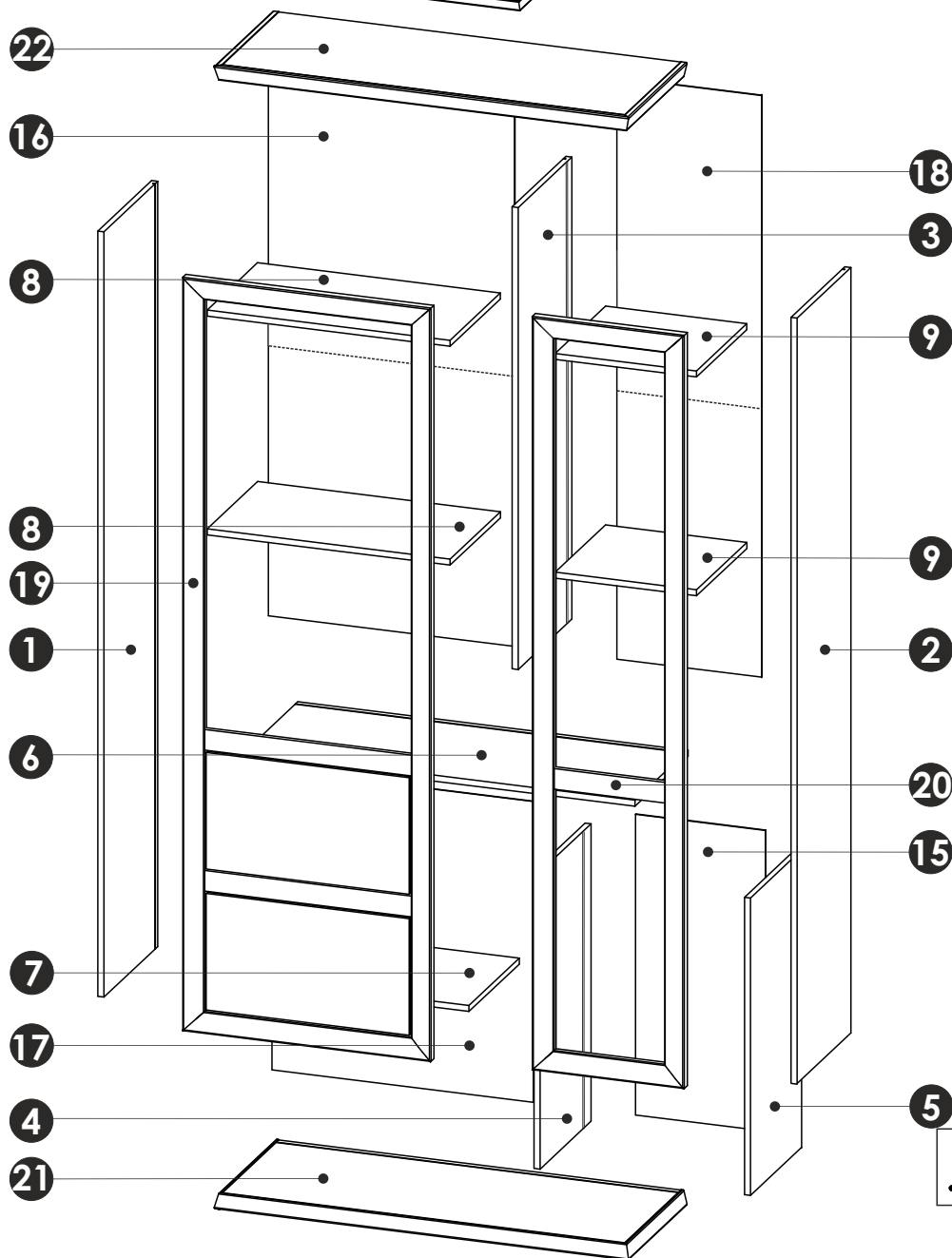
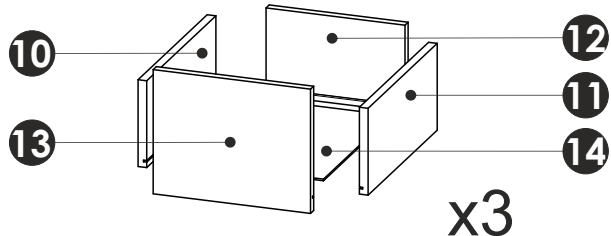
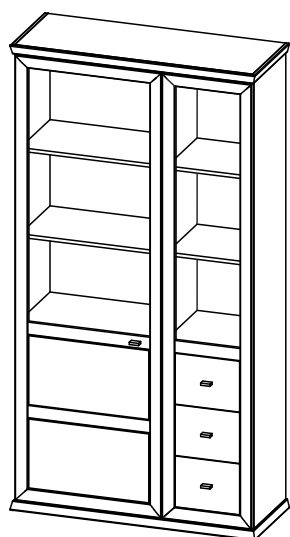
1102 mm

428 mm



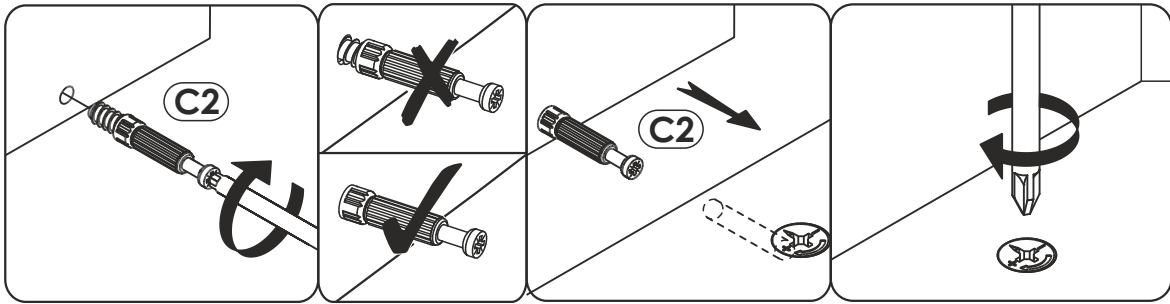
<b>A0</b> 8 x 30mm <b>x48</b> 	<b>B1</b> f 7 x 50 mm <b>x16</b> 	<b>C0</b>  <b>x28</b>
<b>C2</b>  <b>x40</b>	<b>C7</b> 16mm  <b>x40</b>	<b>D0</b> 3 x 15 mm  <b>x66</b>
<b>D10</b> 4 x 16 mm  <b>x8</b>	<b>D21</b> 5 x 13 mm  <b>x2</b>	<b>D31</b> 6,3 x 13 mm  <b>x24</b>
<b>E0</b> 5 x 50 mm 8 x 50 mm  <b>x2</b>	<b>G1</b>  L=638 <b>x2</b>	<b>G2</b>  L=374 <b>x2</b>
<b>G3</b>  <b>x10</b>	<b>G4</b>  <b>x1</b>	<b>H2</b> 4 x 22 mm  <b>x8</b>
<b>J3</b>  <b>x4</b>	<b>J10</b>  <b>x4</b>	<b>K</b> 4mm  <b>x1</b>
<b>L6</b>  <b>x4</b>	<b>M1</b>  <b>x56</b>	<b>N14</b>  L=350mm <b>x3</b>
<b>P0</b>  <b>x2</b>	<b>Q3</b>  <b>x20</b>	<b>U2</b>  <b>x6</b>



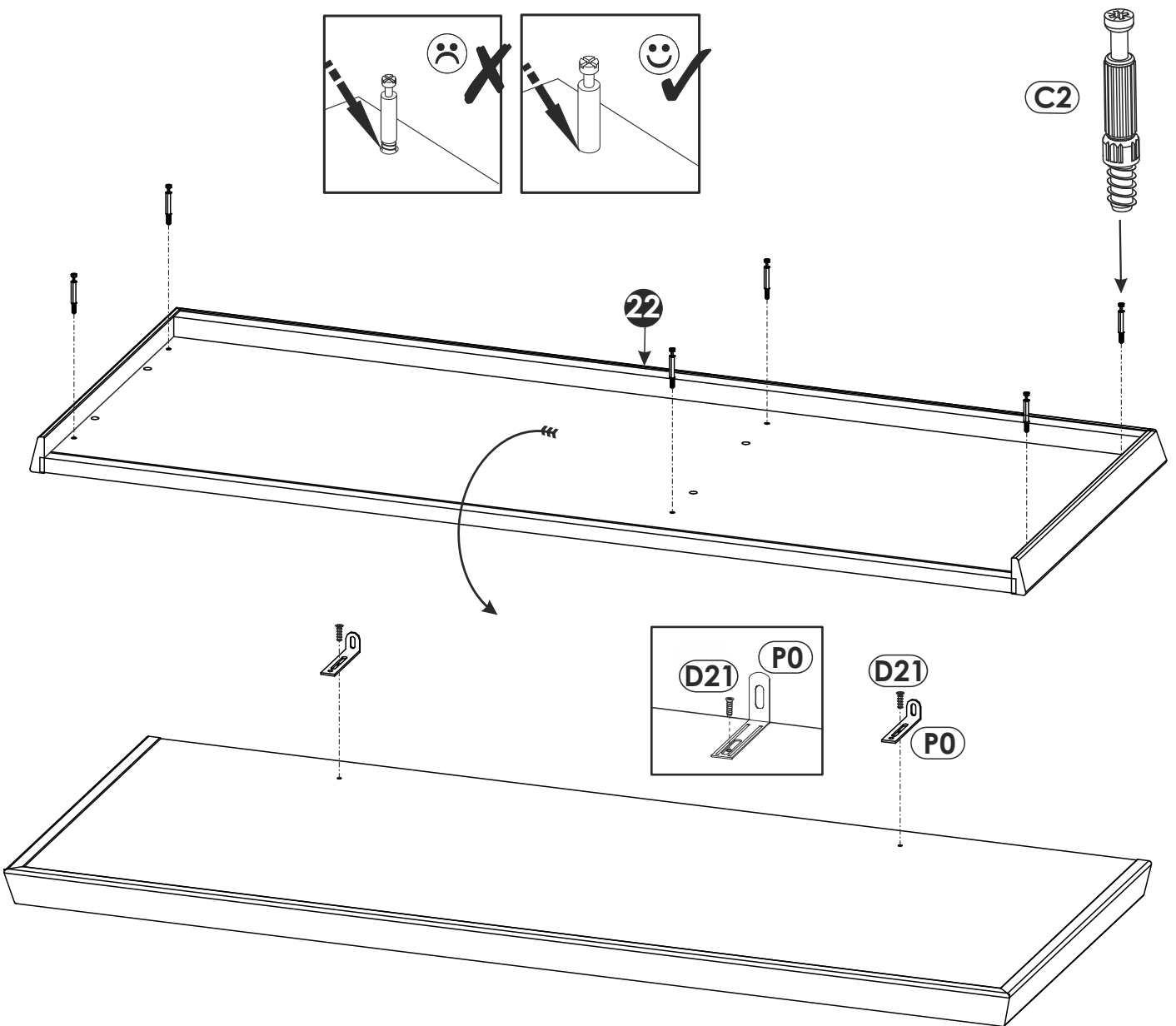
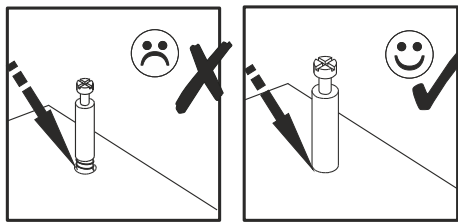


1	2036	393	16 x1	1/5
2	2036	393	16 x1	1/5
3	1229	393	16 x1	2/5
4	791	393	16 x1	2/5
5	791	373	16 x1	2/5
6	1038	393	16 x1	2/5
7	686	373	16 x1	1/5
8	646	350	16 x2	1/5
9	376	354	16 x2	2/5
10	350	160	16 x3	2/5
11	350	160	16 x3	2/5
12	256	157	16 x3	2/5
13	290	229	16 x3	2/5
14	344	266	2.8 x3	1/5
15	345	800	2.8 x1	1/5
16	655	1238	2.8 x1	4/5
17	695	800	2.8 x1	4/5
18	385	1238	2.8 x1	5/5
19	2004	660	25 x1	4/5
20	2004	404	25 x1	5/5
21	1102	428	40 x1	3/5
22	1102	428	40 x1	3/5
5				2/5

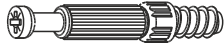



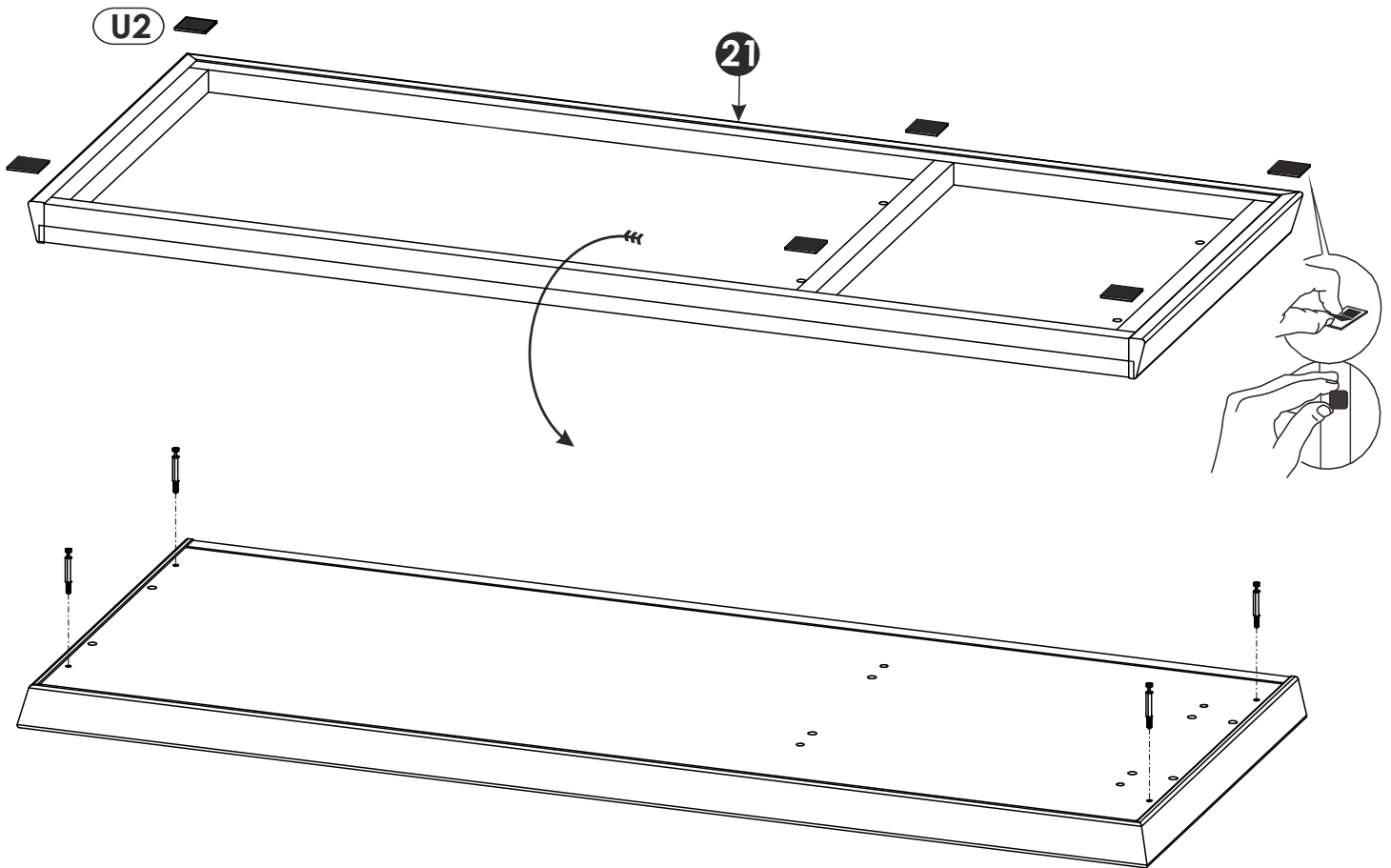


<p><b>C2</b></p>  <p><b>x6</b></p>	<p><b>D21</b></p> <p>5 x 13 mm</p>  <p><b>x2</b></p>	<p><b>P0</b></p>  <p><b>x2</b></p>
---------------------------------------------------------------------------------------------------------------------	---------------------------------------------------------------------------------------------------------------------------------------	-----------------------------------------------------------------------------------------------------------------------






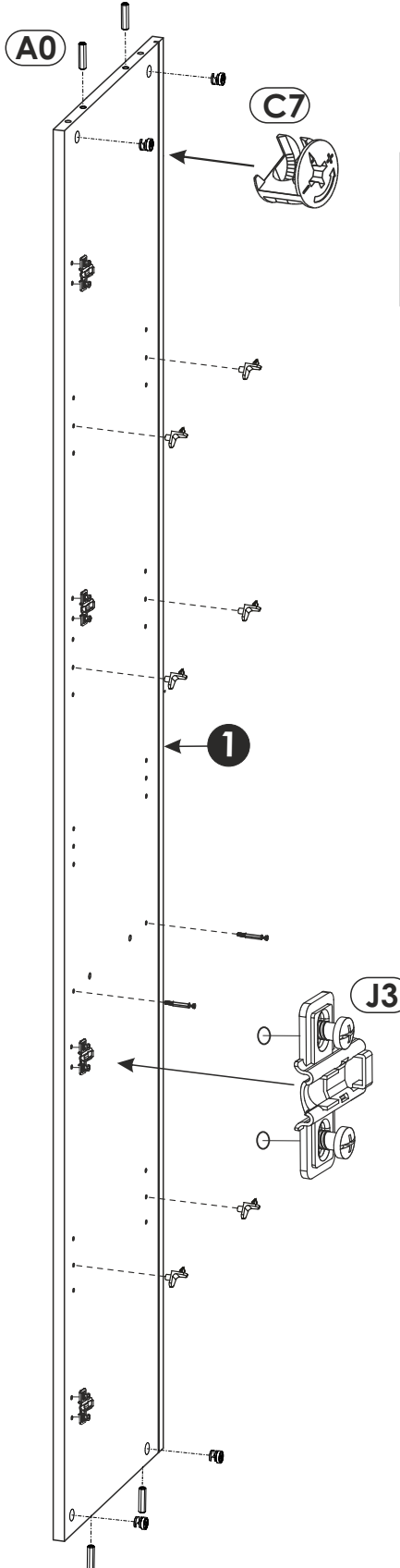
2▶

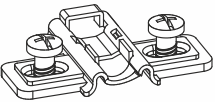
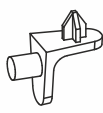
<b>C2</b>	<b>x4</b>	<b>U2</b>	<b>x6</b>
			

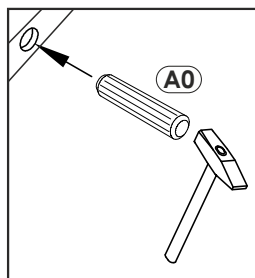
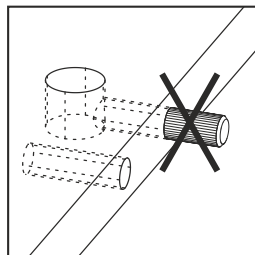
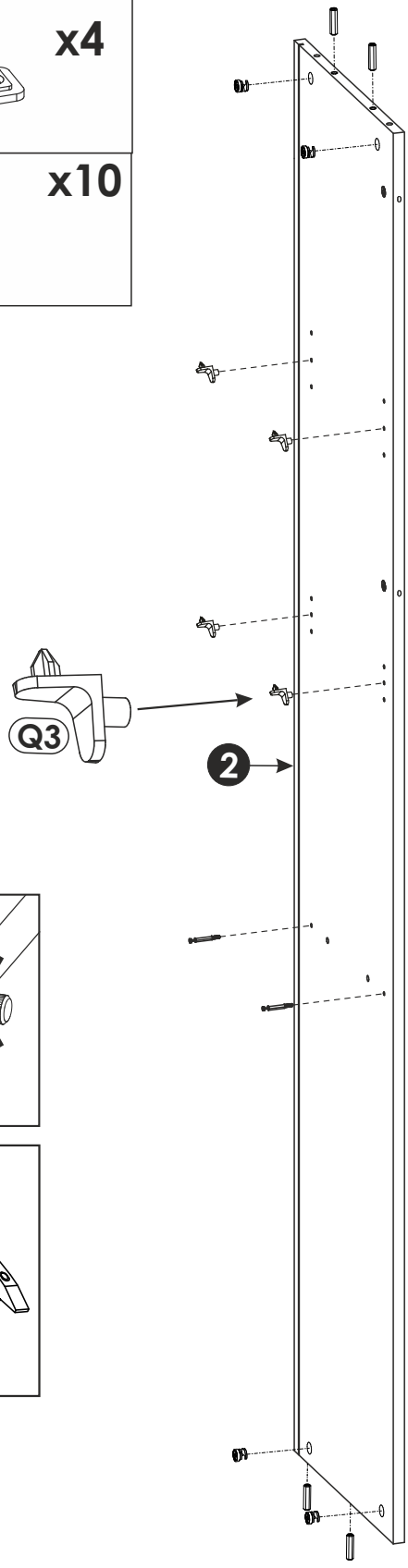


# 3 ▶



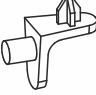
<b>A0</b> 8 x 30mm <b>x8</b> 	<b>C7</b> 16mm <b>x8</b> 	<b>C2</b> <b>x4</b> 
-------------------------------------------------------------------------------------------------------------------------	---------------------------------------------------------------------------------------------------------------------	---------------------------------------------------------------------------------------------------------------






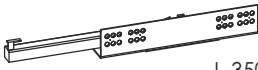
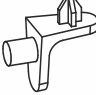
<b>J3</b> <b>x4</b> 	<b>Q3</b> <b>x10</b> 
-------------------------------------------------------------------------------------------------------------	--------------------------------------------------------------------------------------------------------------

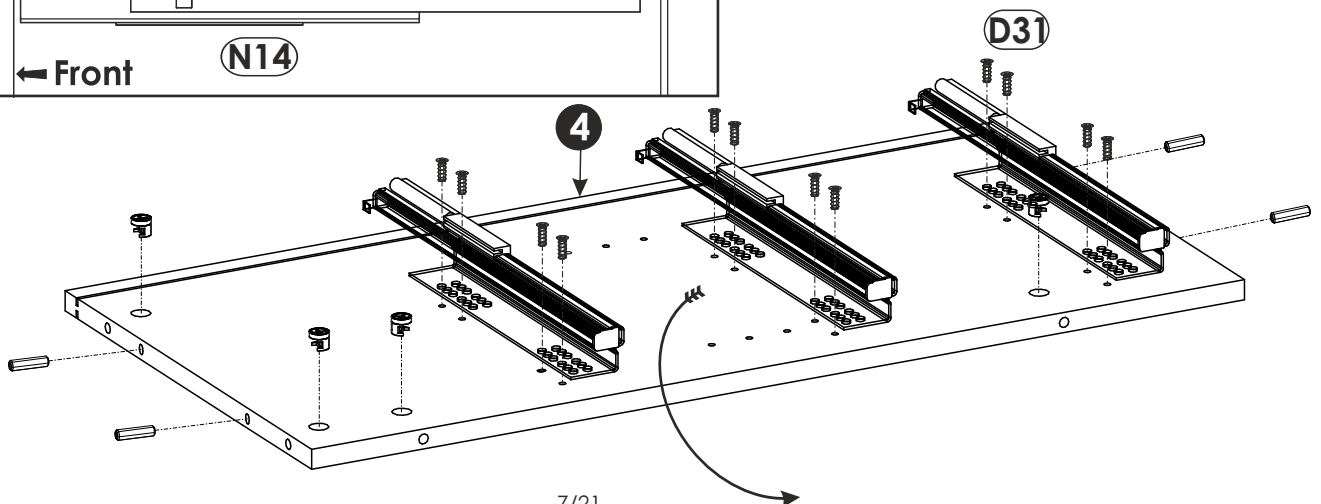
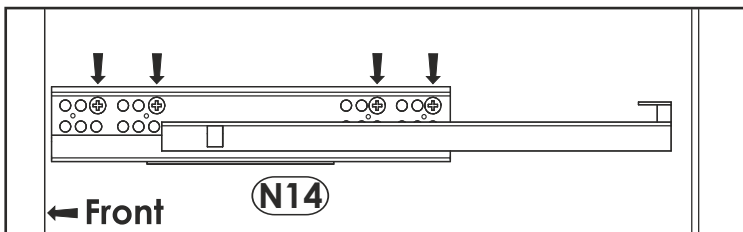
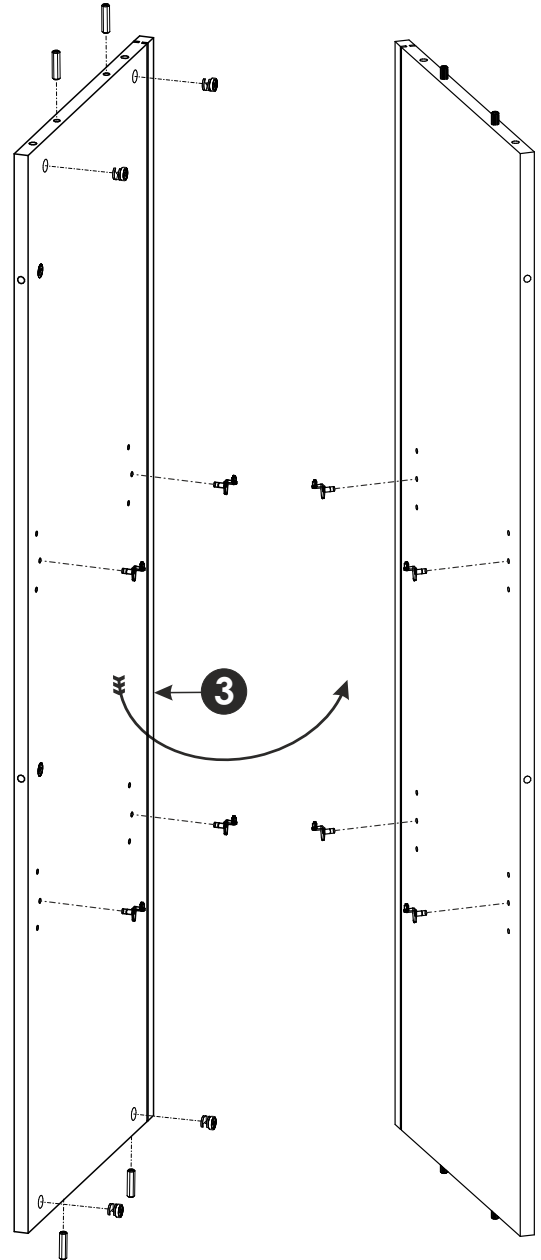


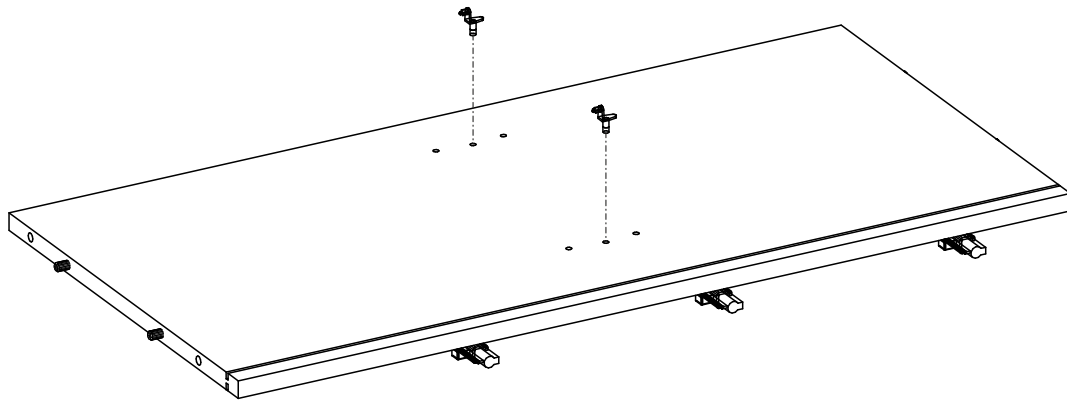
4 ▶

<b>A0</b>	8 x 30mm	<b>x4</b>
		
<b>C7</b>	16mm	<b>x4</b>
		
<b>Q3</b>		<b>x8</b>
		




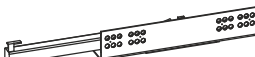
5 ▶

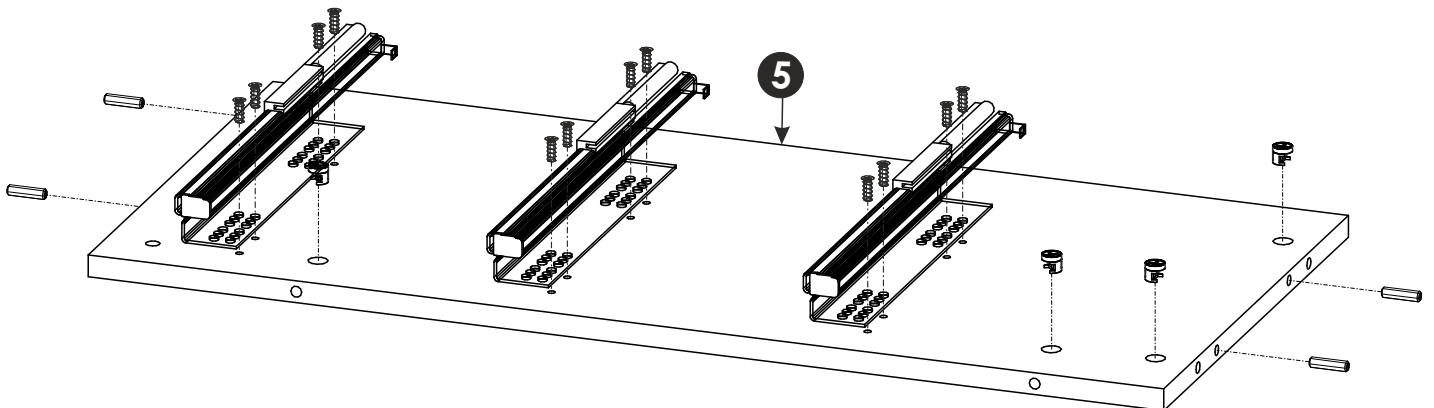
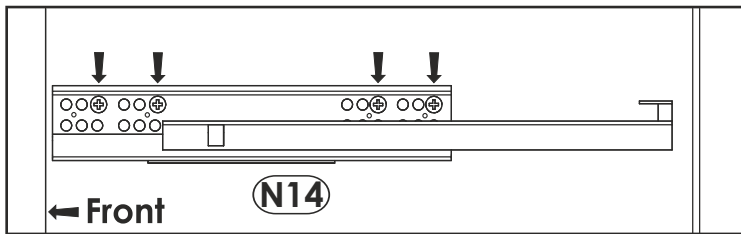
<b>A0</b>	8 x 30mm	<b>x4</b>
		
<b>C7</b>	16mm	<b>x4</b>
		
<b>D31</b>	6,3 x 13 mm	<b>x12</b>
		
<b>N14</b>	L-350mm	<b>x3</b>
		
<b>Q3</b>		<b>x2</b>
		








6 ▶

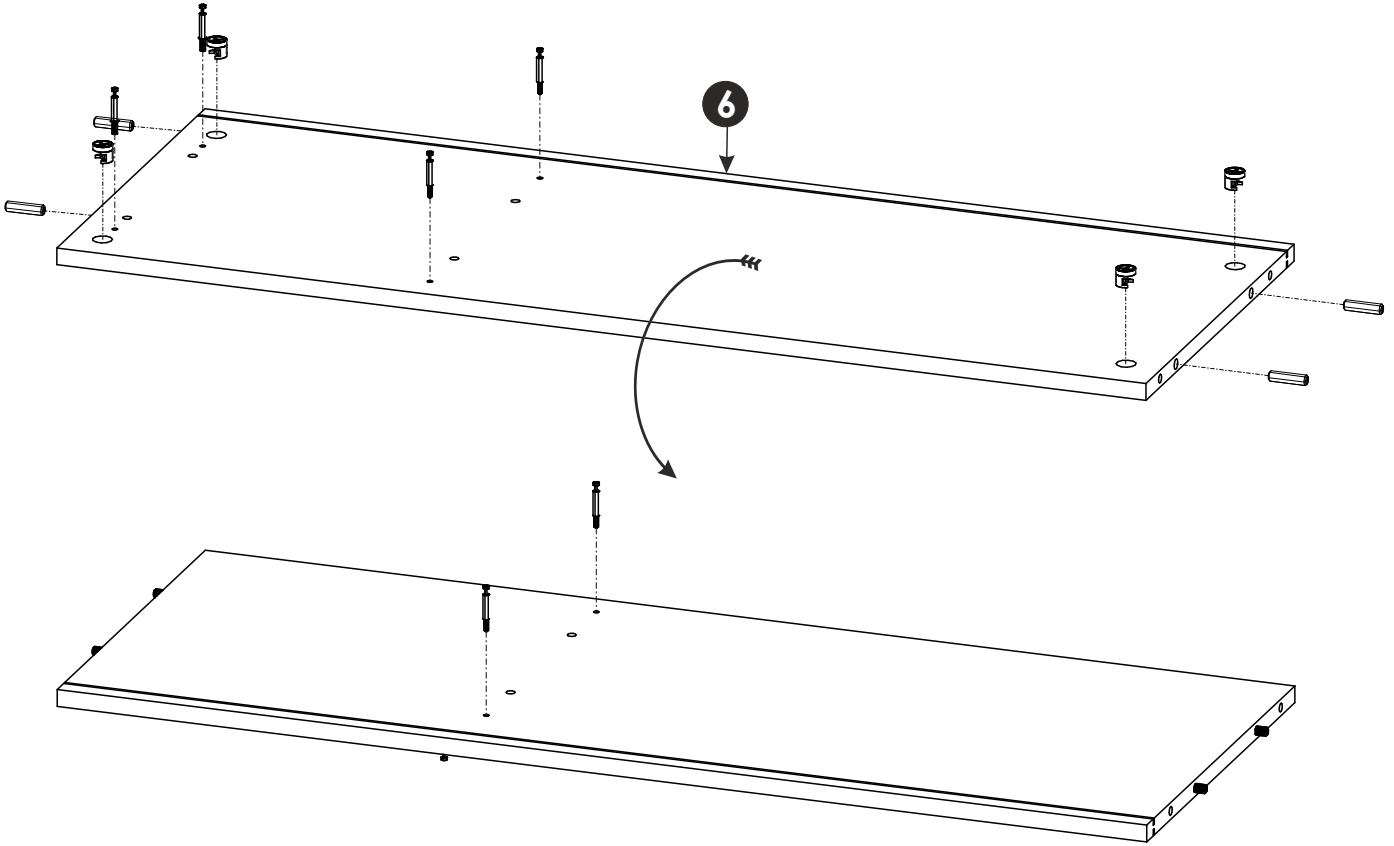
<p><b>A0</b> 8 x 30mm <b>x4</b></p> 	<p><b>C7</b> <b>x4</b></p>  <p>16mm</p>
<p><b>D31</b> 6,3 x 13 mm <b>x12</b></p> 	<p><b>N14</b> <b>x3</b></p>  <p>L-350mm</p>






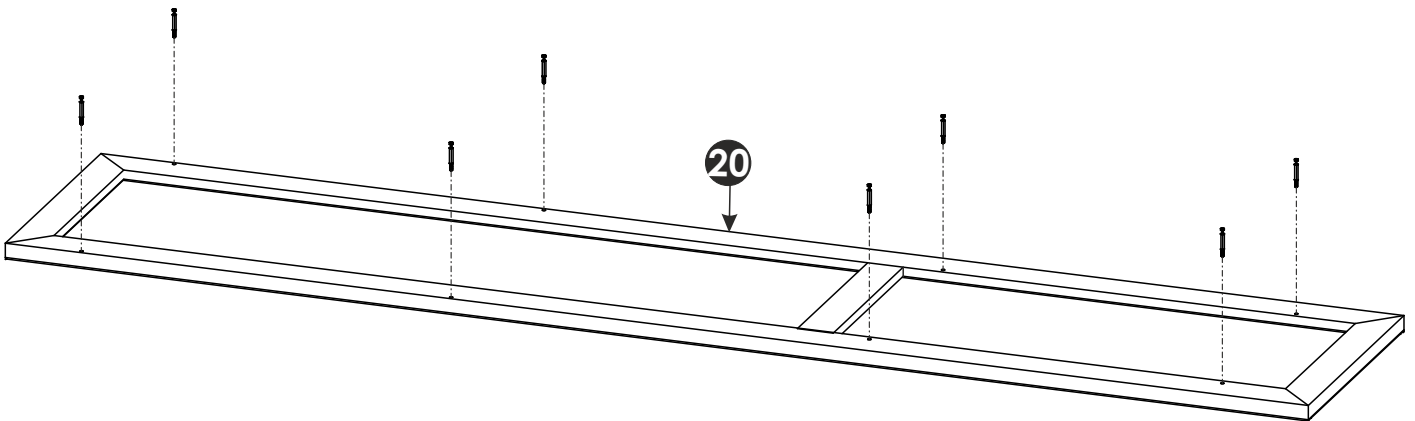
7 ▶

<p><b>A0</b> 8 x 30mm <b>x4</b></p> 	<p><b>C2</b> <b>x6</b></p> 	<p><b>C7</b> <b>x4</b></p> <p>16mm</p> 
-----------------------------------------------------------------------------------------------------------------------	--------------------------------------------------------------------------------------------------------------	----------------------------------------------------------------------------------------------------------------------------

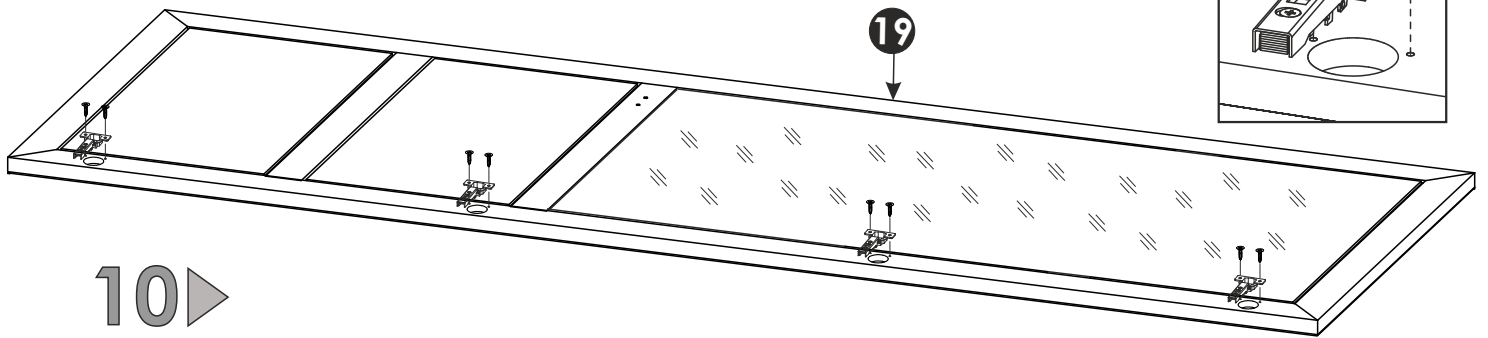
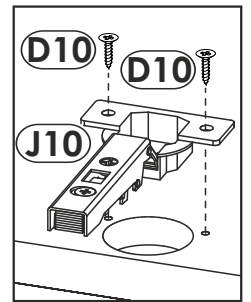
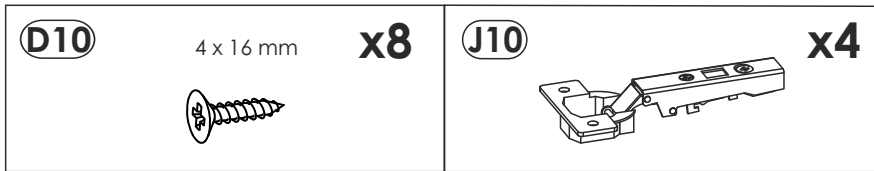


8 ▶

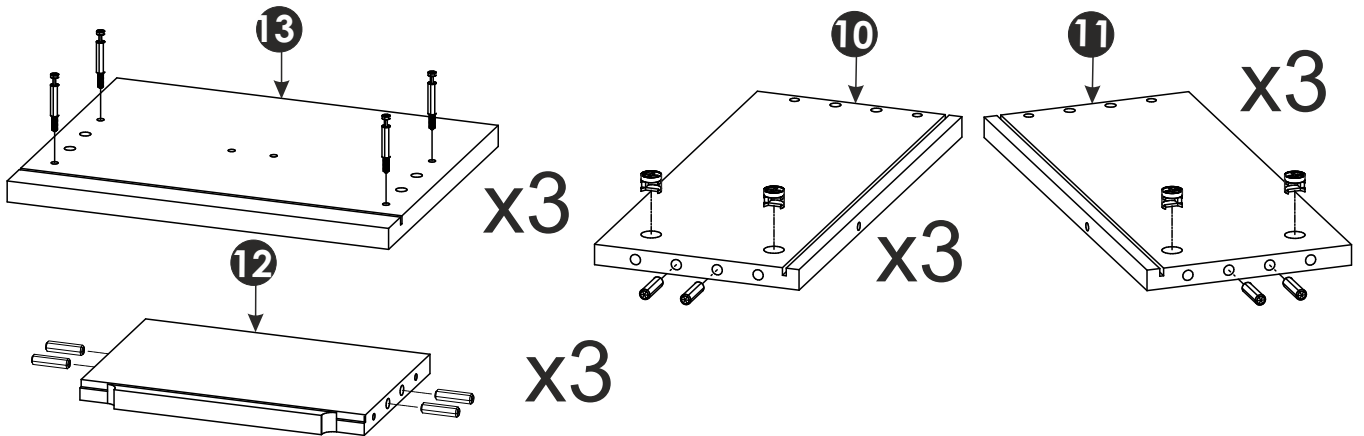
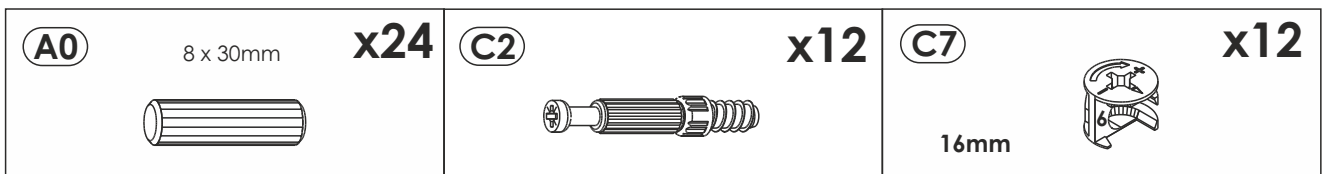
<p><b>C2</b> <b>x8</b></p> 
----------------------------------------------------------------------------------------------------------------



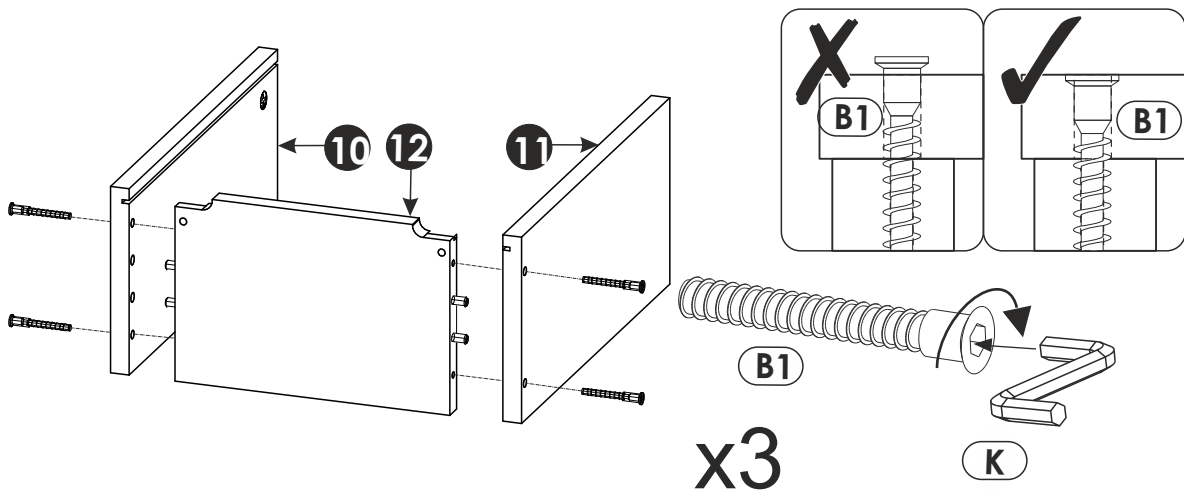
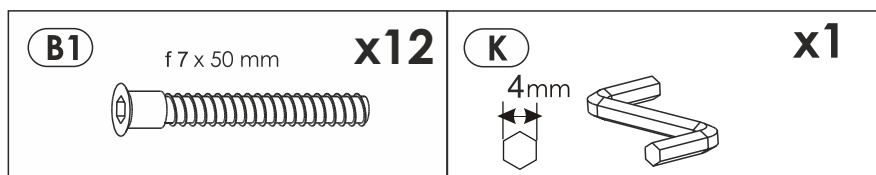
9 ▶



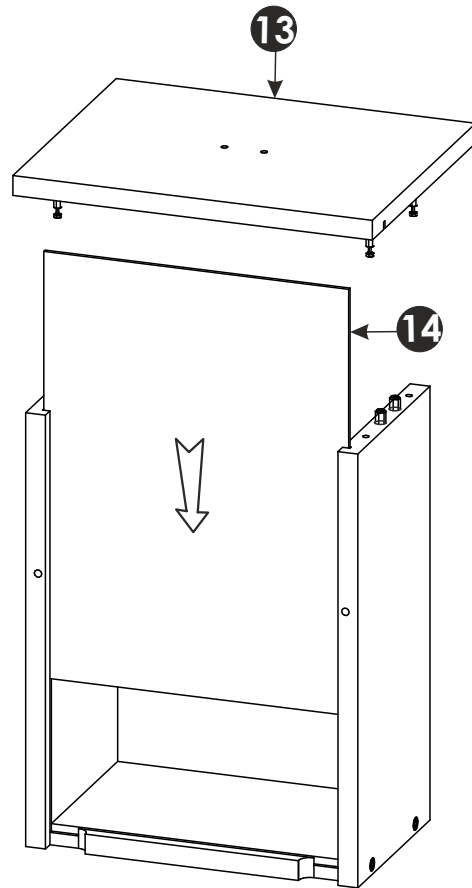
10 ▶



11 ▶





12▶

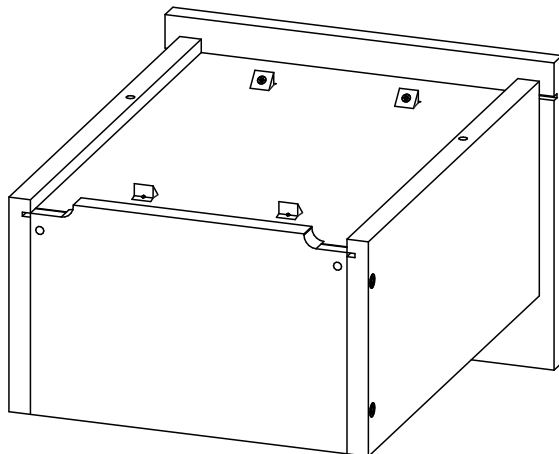
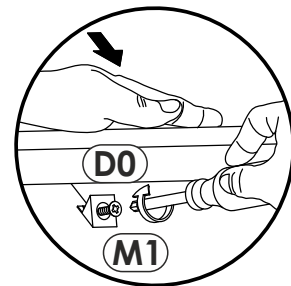
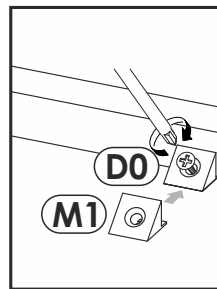
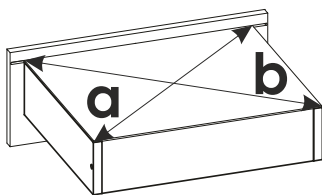


x3

13▶

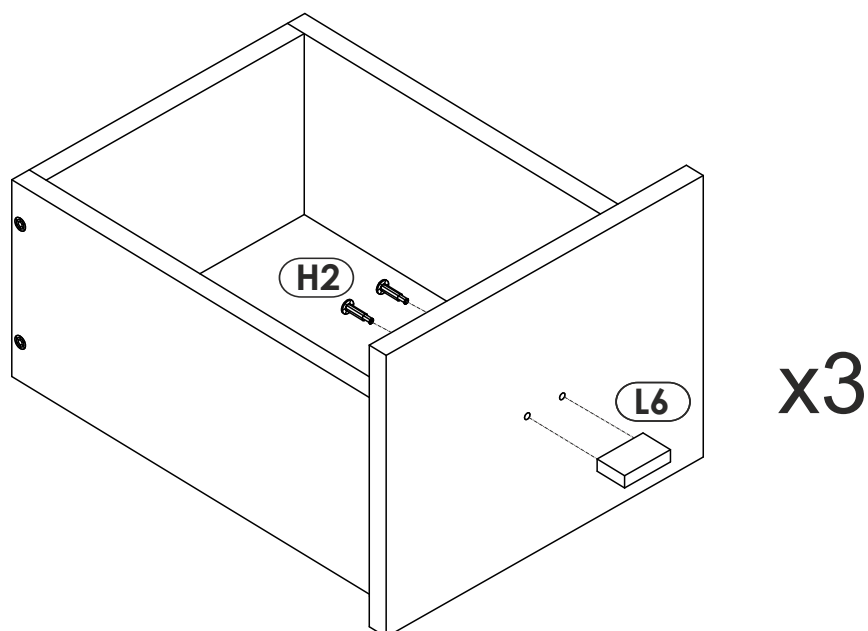
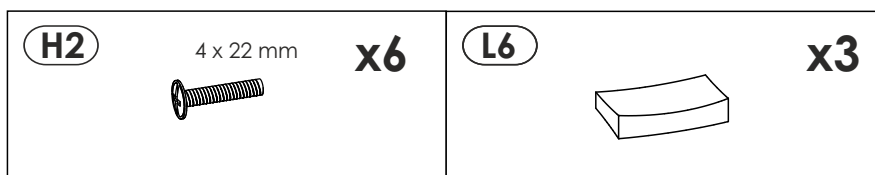
<b>(D0)</b> 3 x 15 mm 	<b>x12</b>	<b>(M1)</b> 	<b>x12</b>
-----------------------------------------------------------------------------------------------------------------	------------	-----------------------------------------------------------------------------------------------------	------------

**a=b**

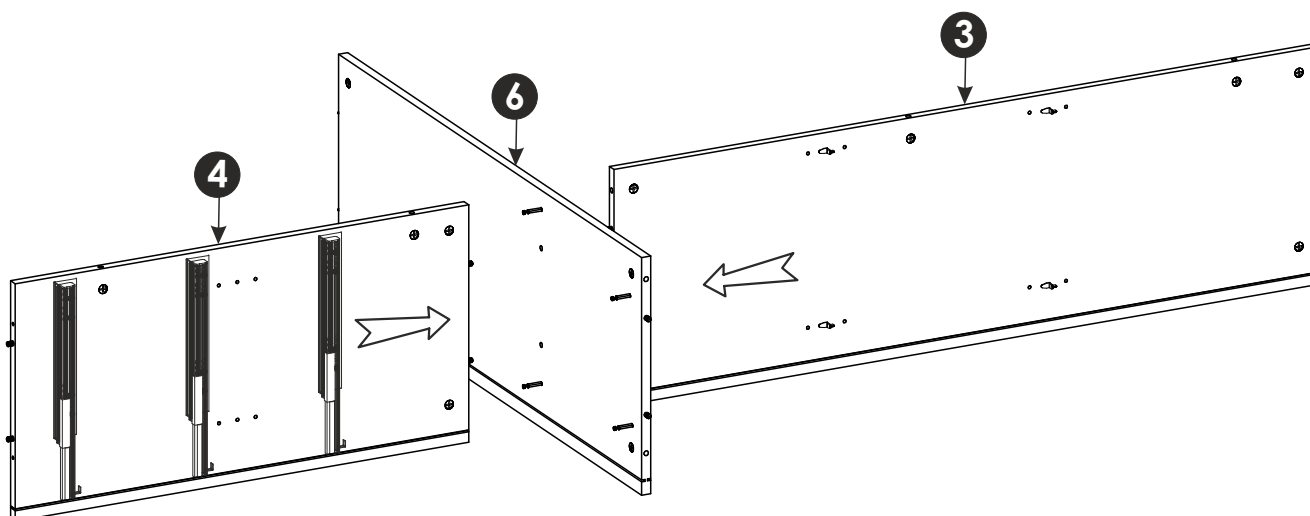
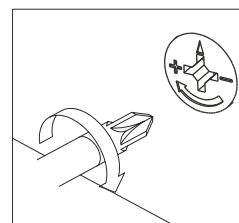


x3

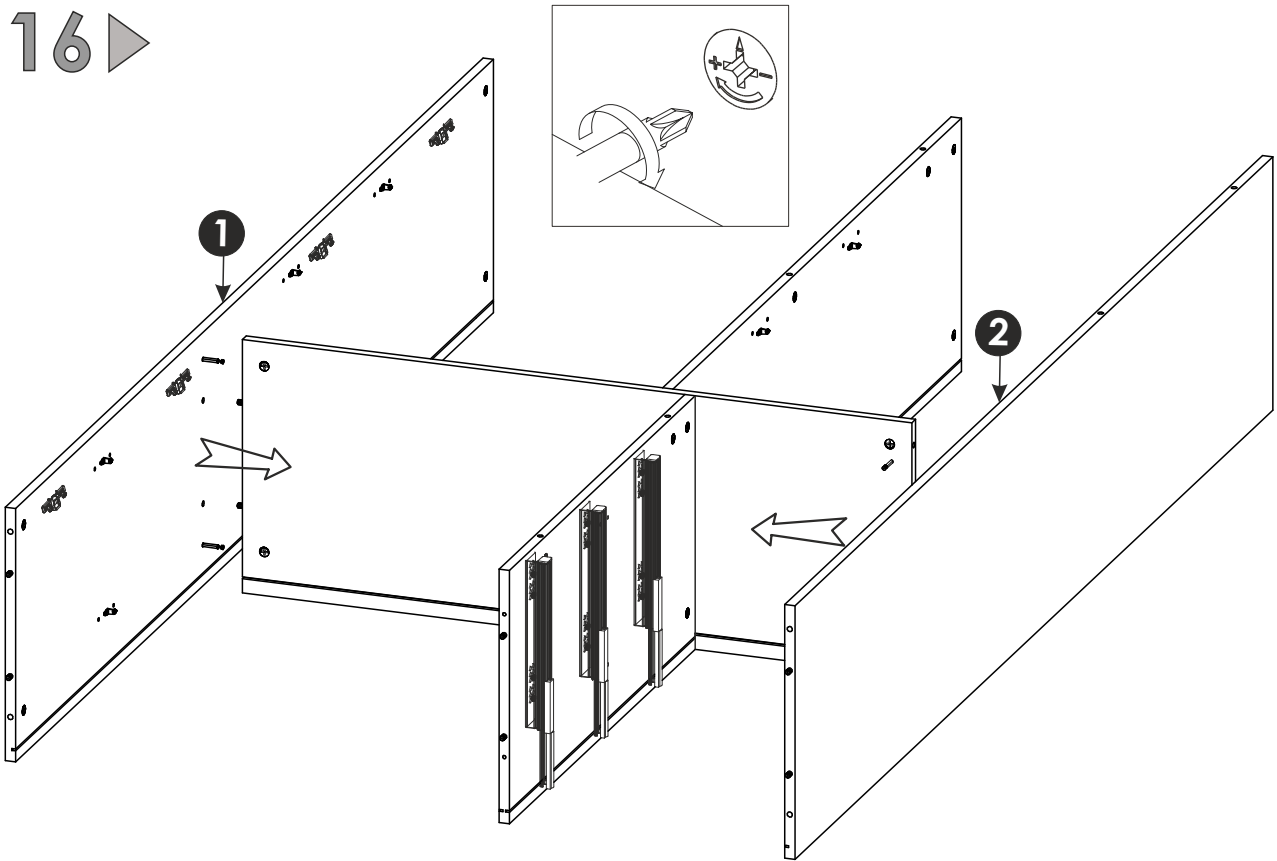
14▶



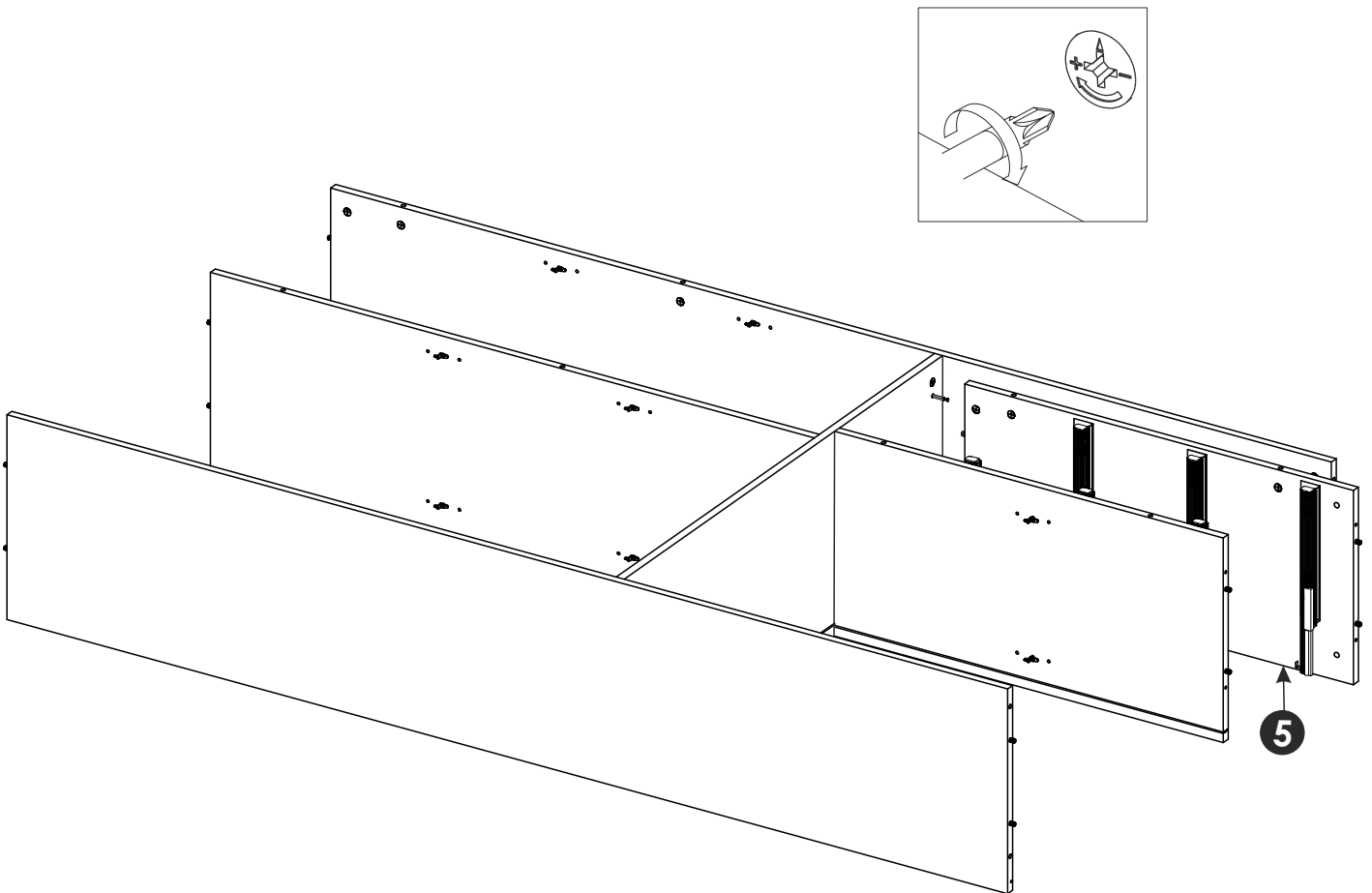
15▶



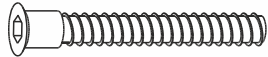
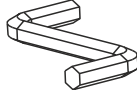
16 ▶

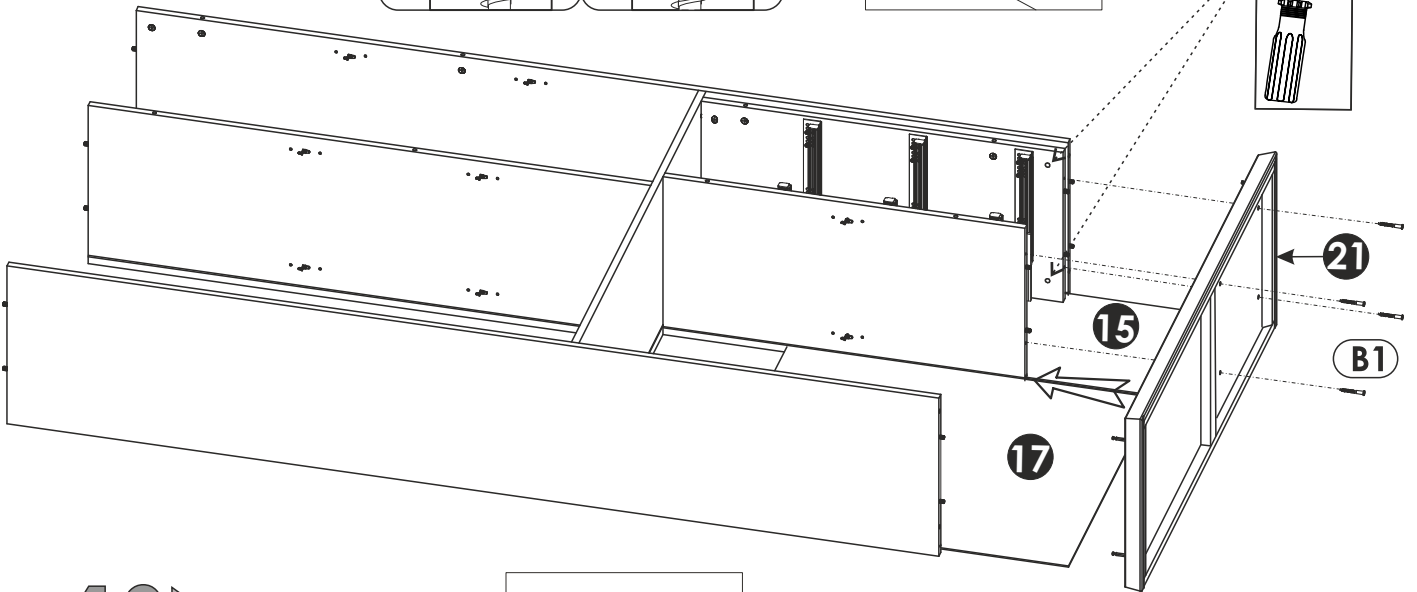
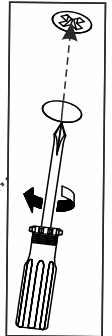
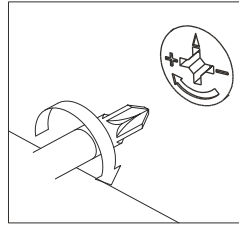
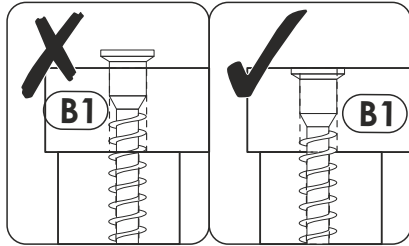


17 ▶

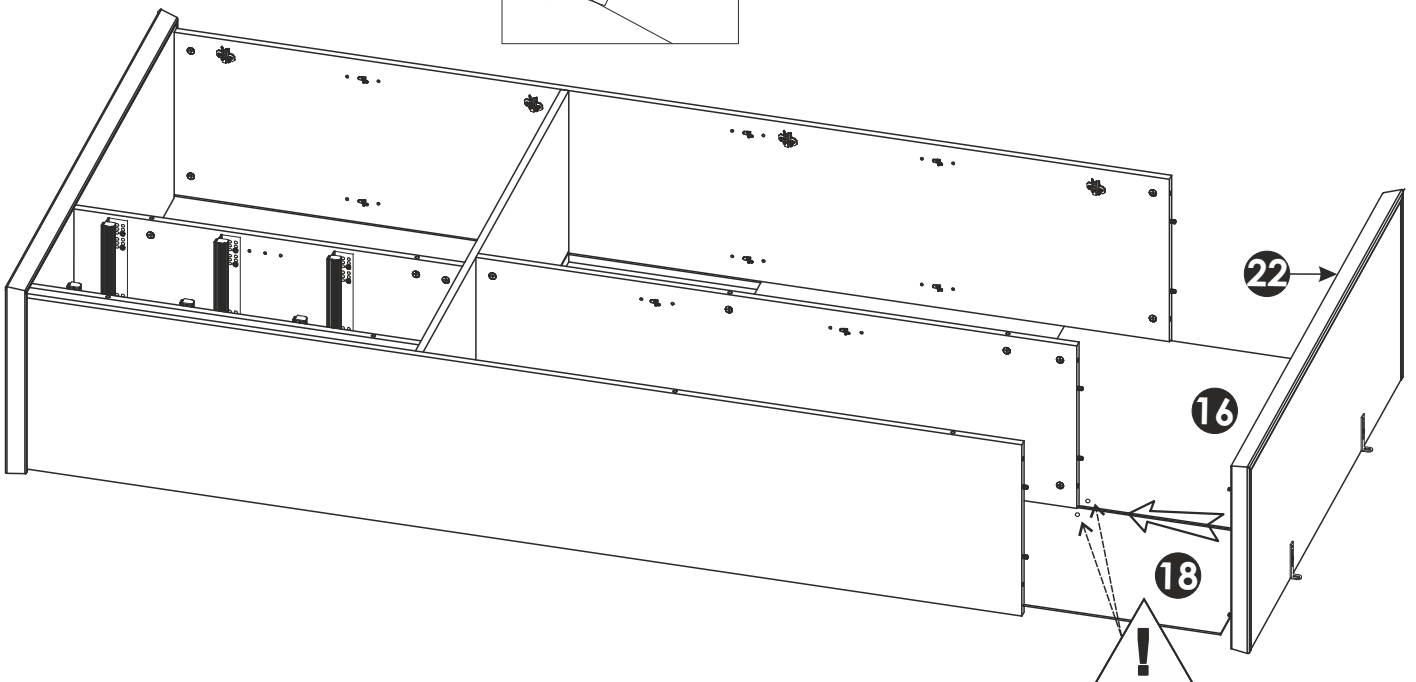
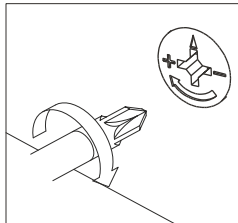


18▶



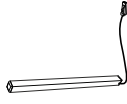

<b>B1</b>	f 7 x 50 mm	<b>x4</b>	<b>K</b>	<b>x1</b>
				
			4mm	

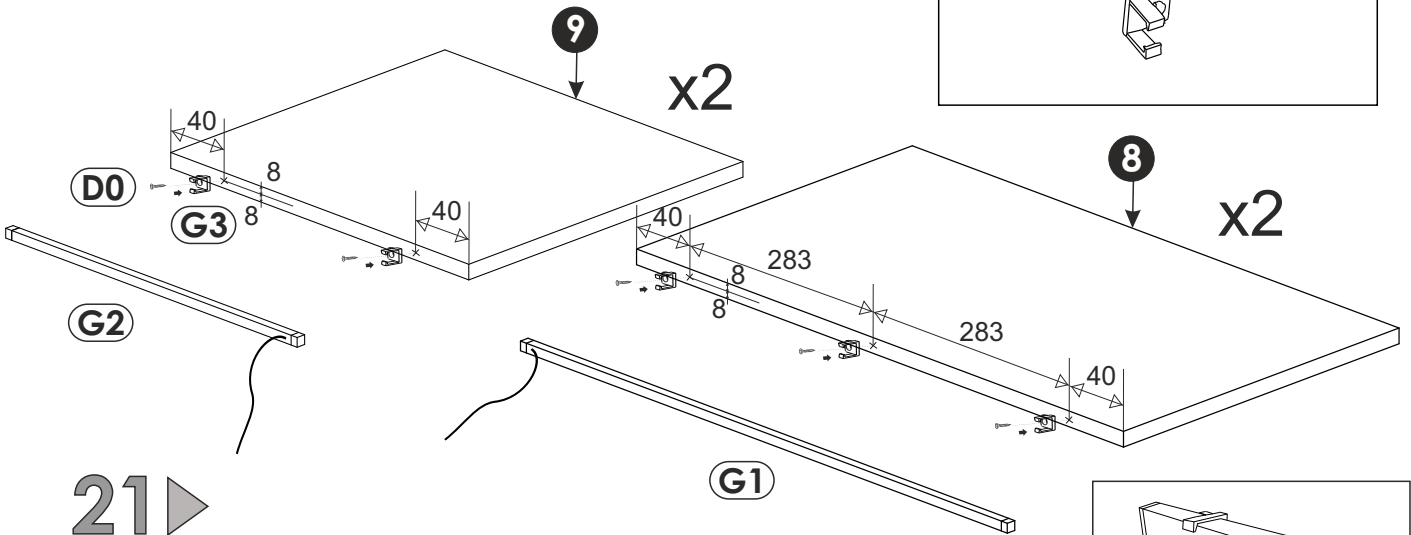


19▶

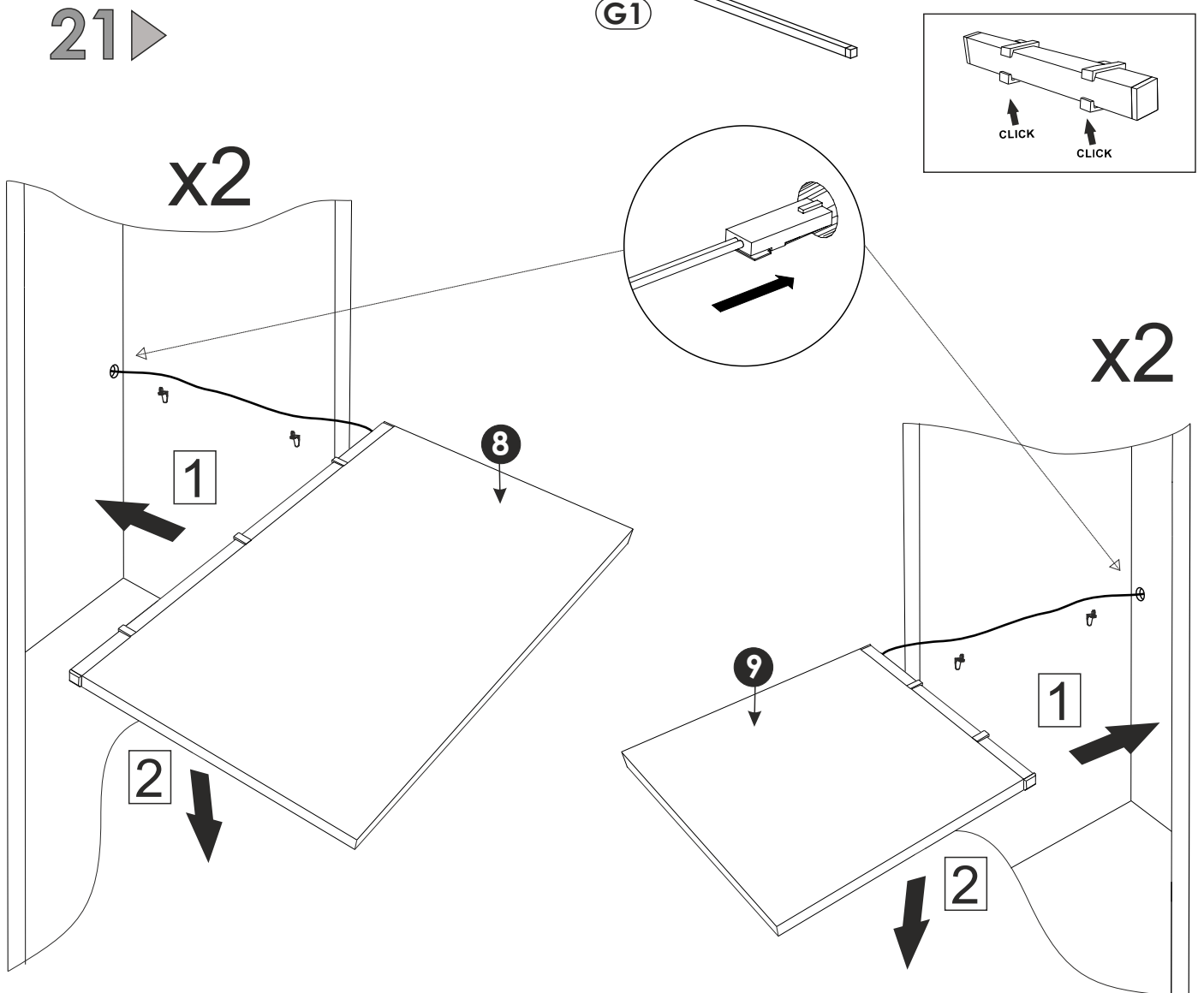


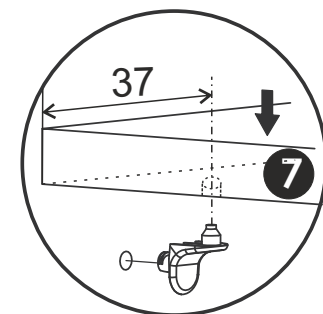
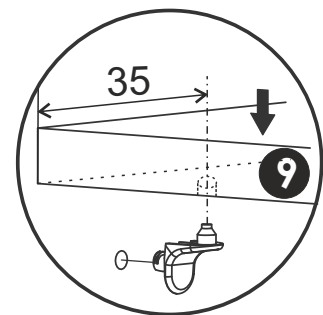
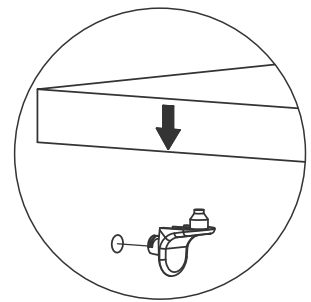
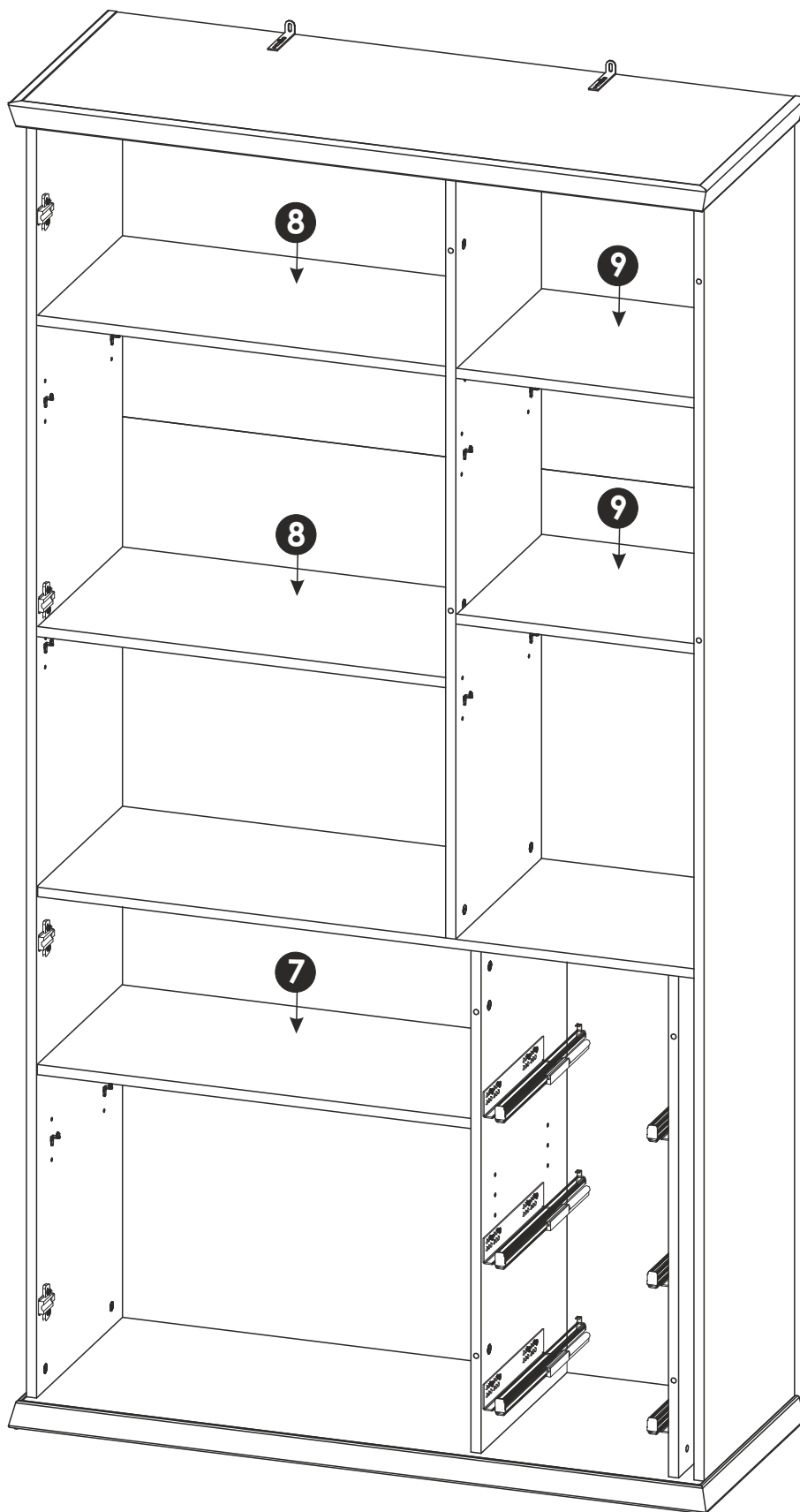
# 20 ▶

<b>(D0)</b> 3 x 15 mm <b>x10</b> 	<b>(G1)</b>  L=638 <b>x2</b>	<b>(G2)</b>  L=374 <b>x2</b>
		<b>(G3)</b>  <b>x10</b>



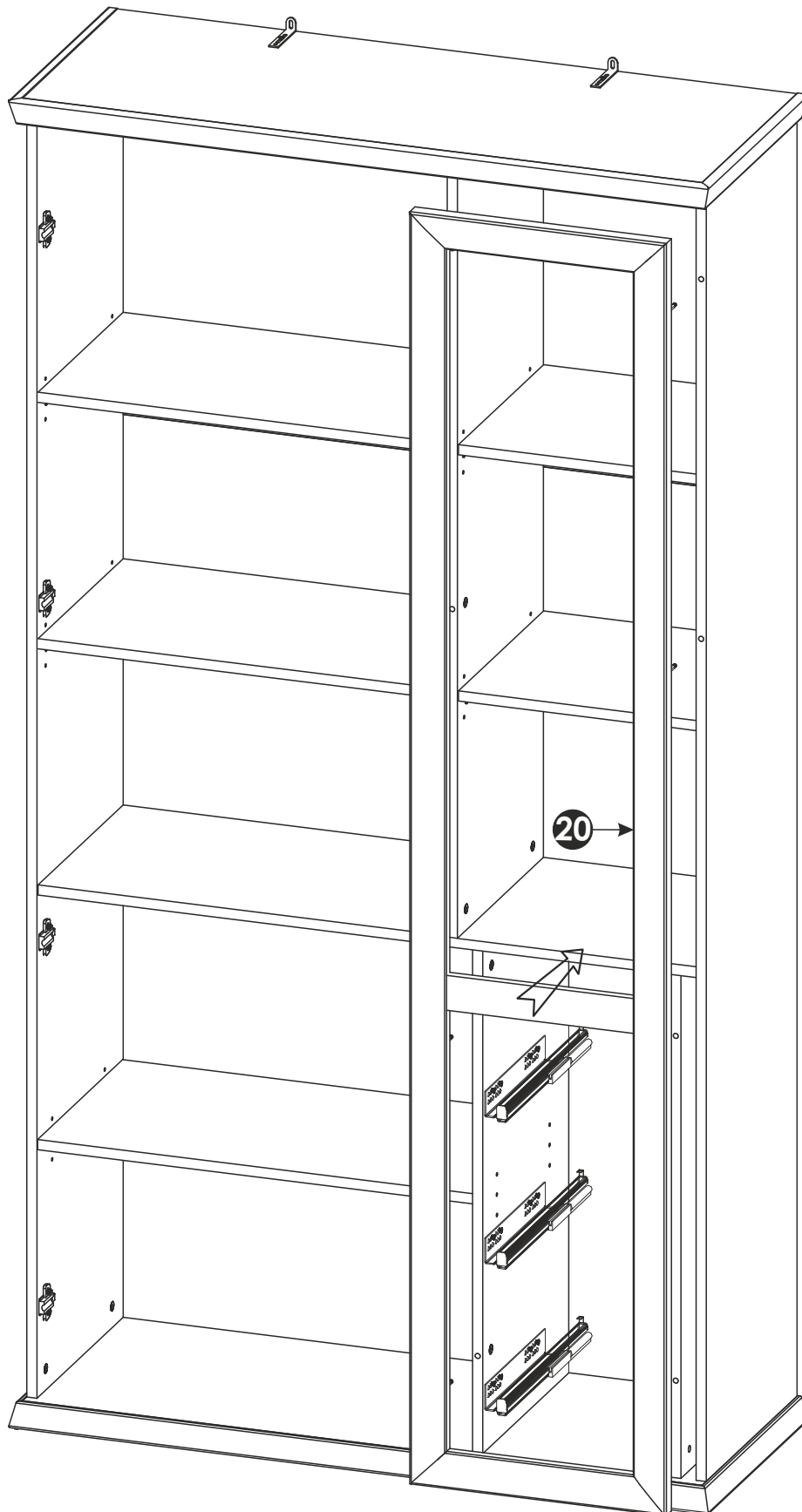
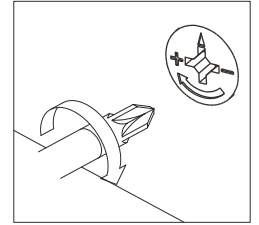
# 21 ▶





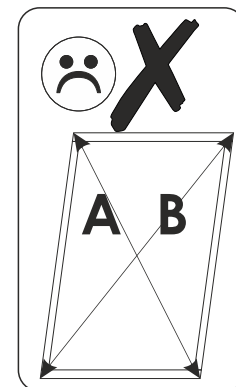
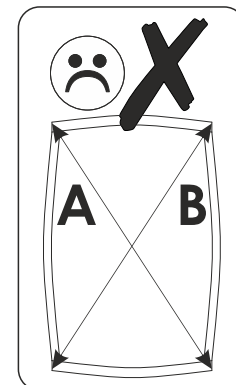
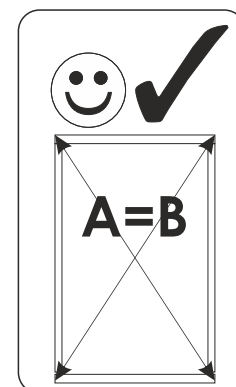
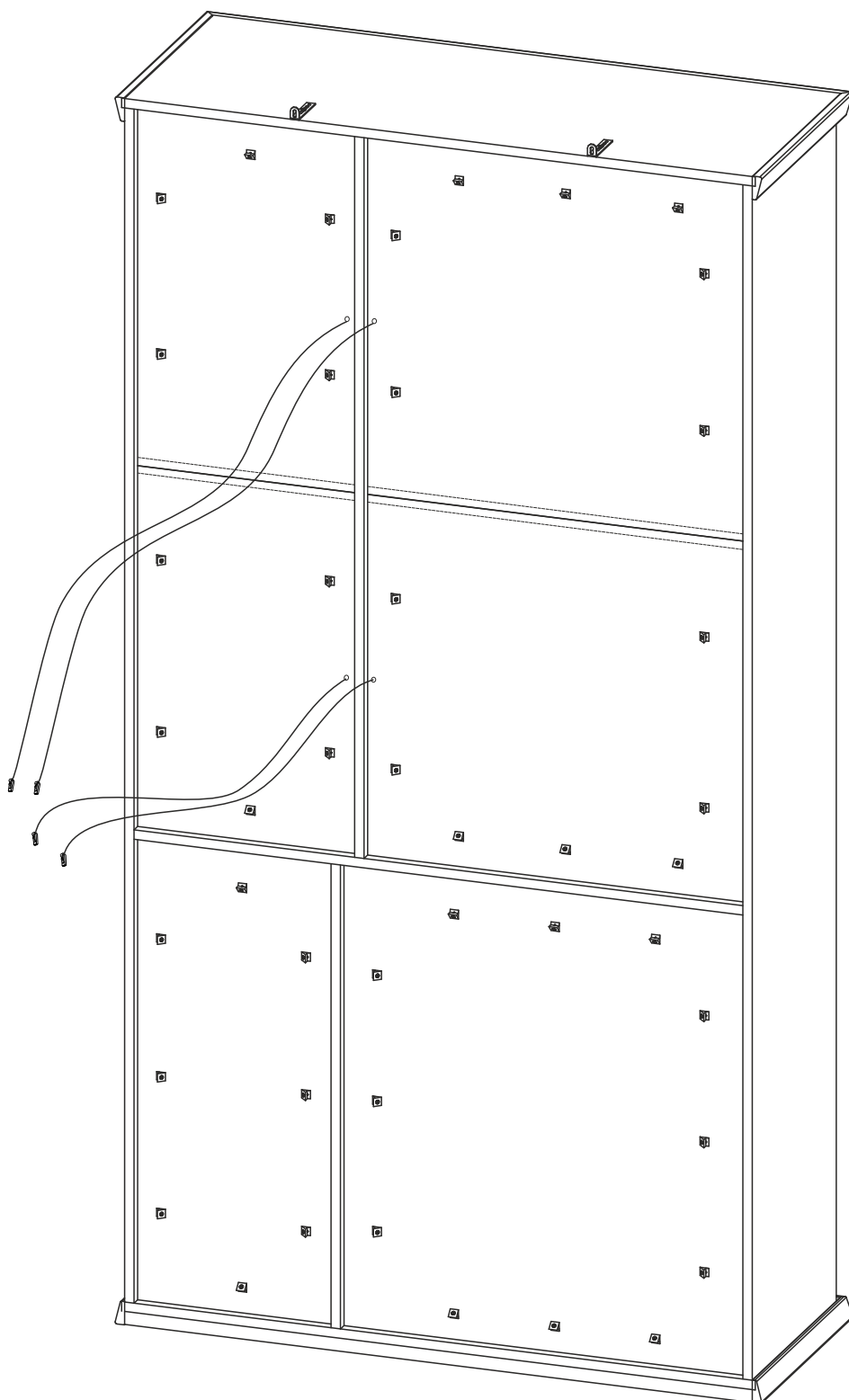
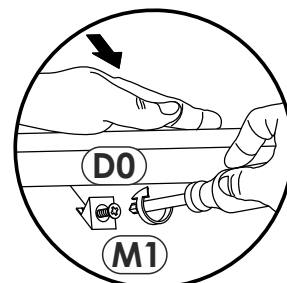
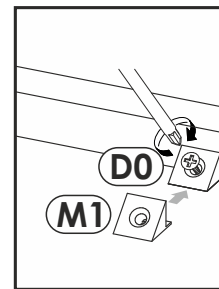


22 ▶



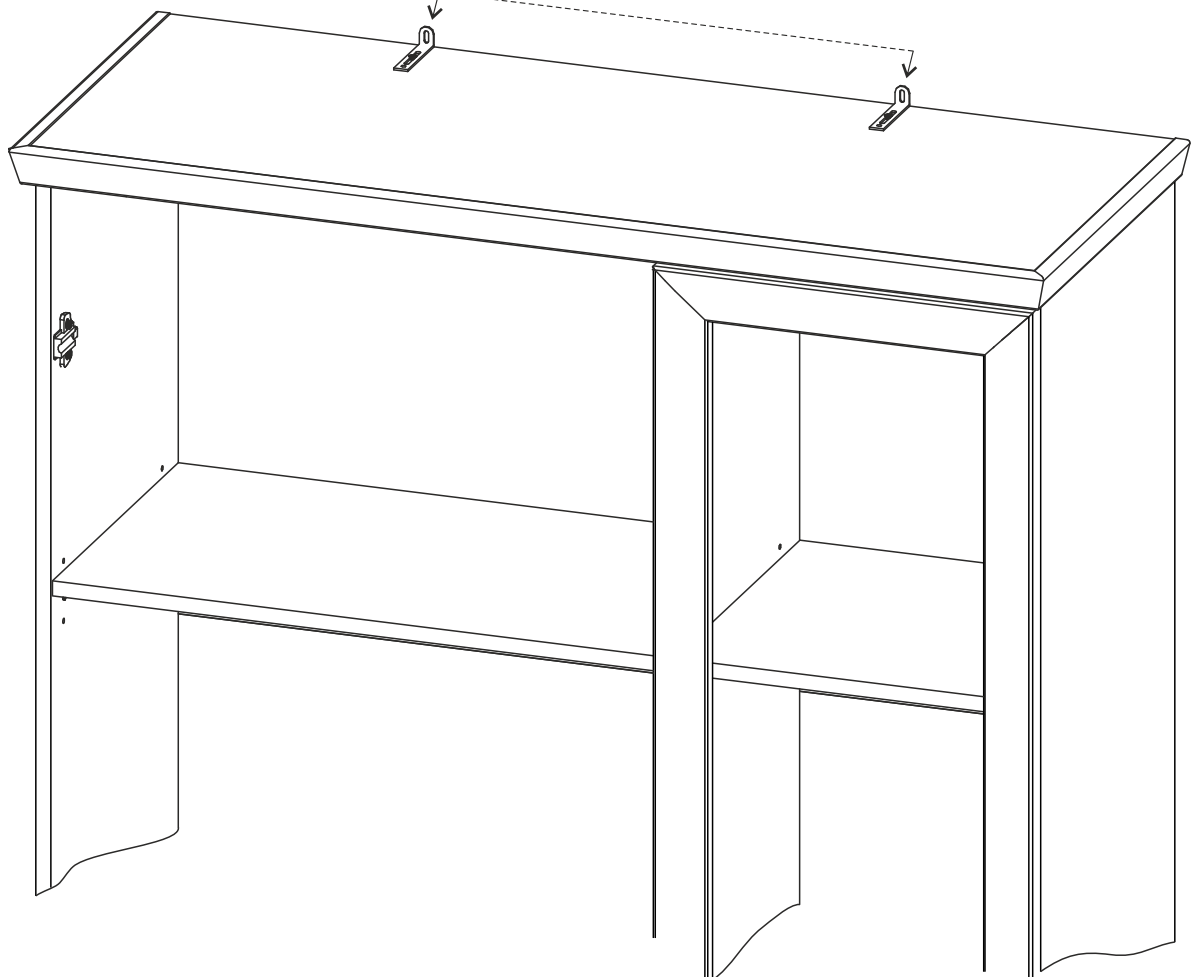
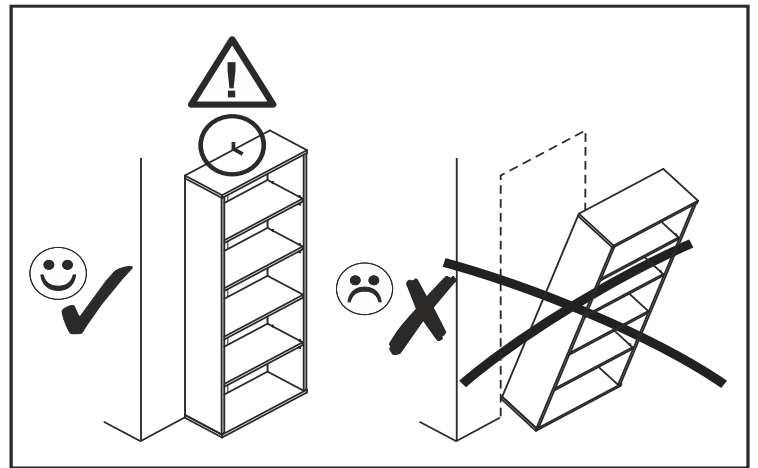
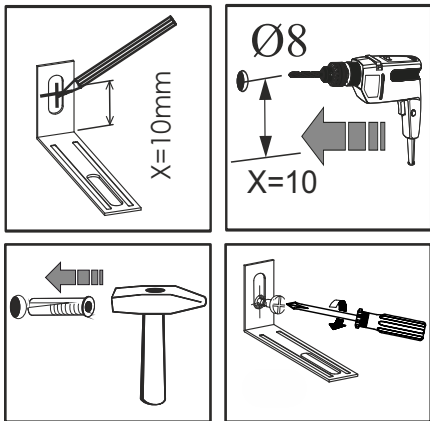
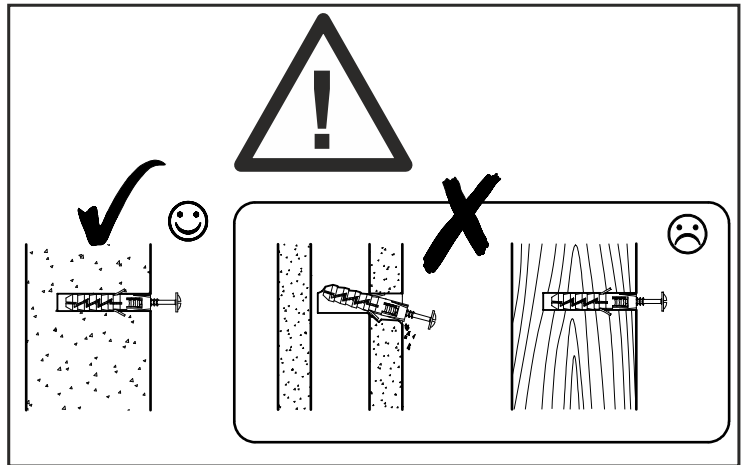
23 ▶

<b>D0</b>	3 x 15 mm	<b>x44</b>	<b>M1</b>	<b>x44</b>
-----------	-----------	------------	-----------	------------





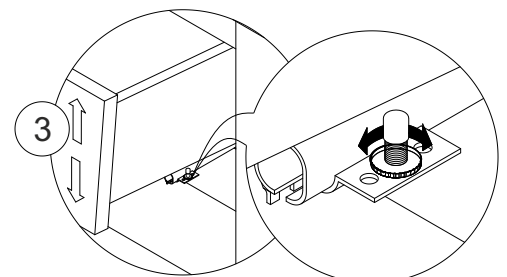
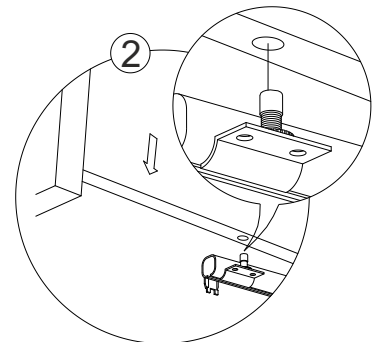
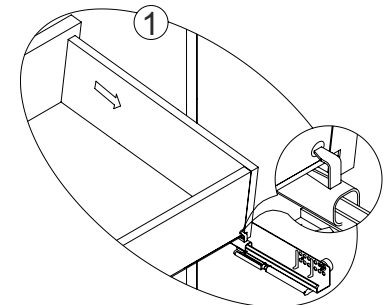
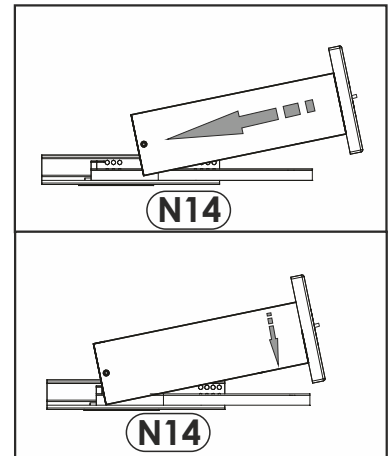
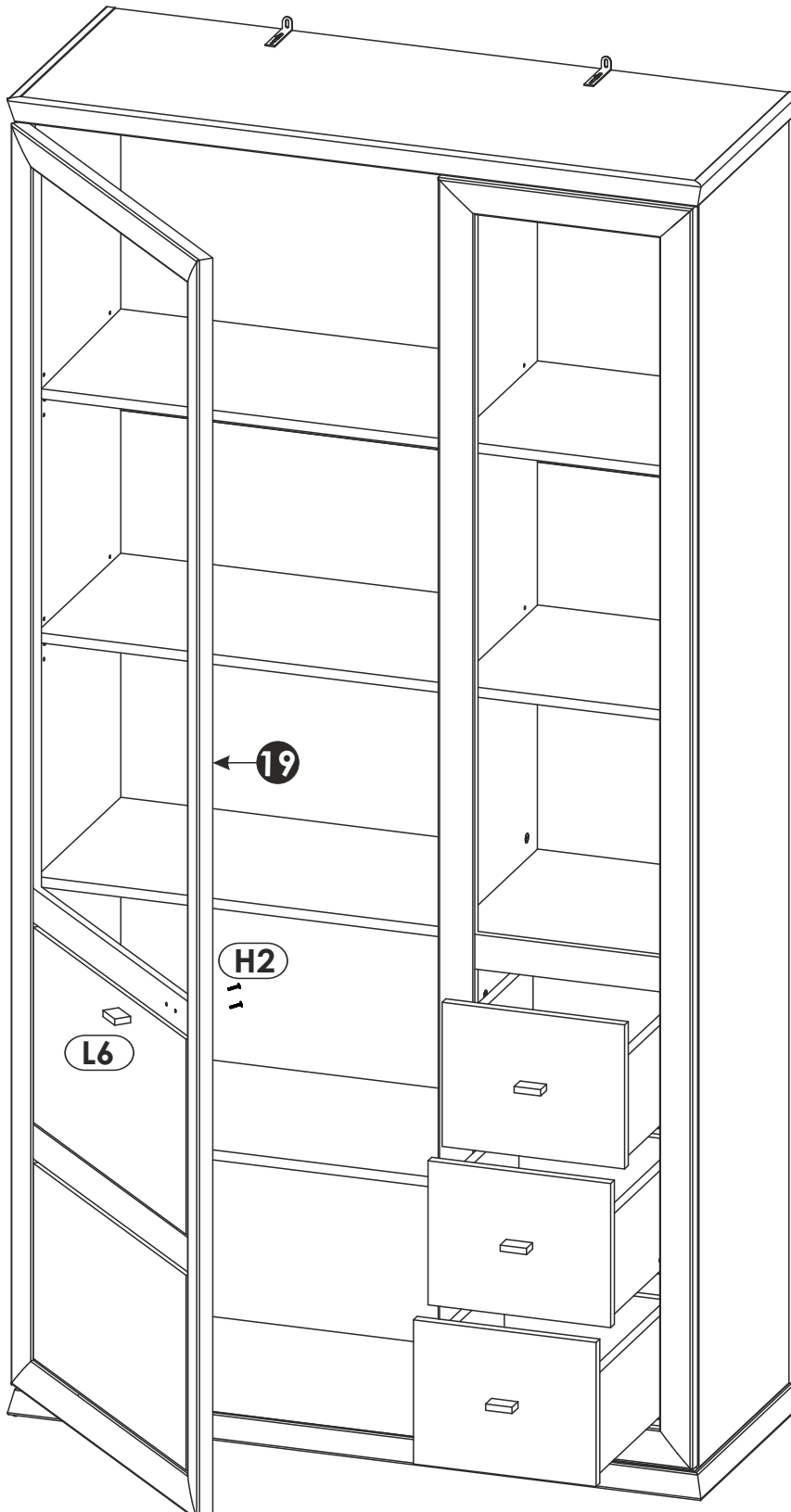
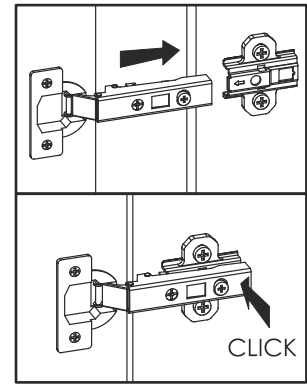
24 ▶

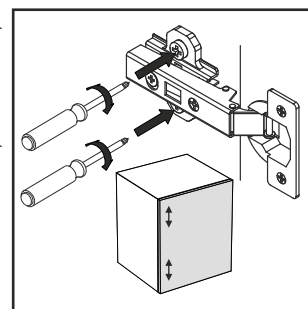
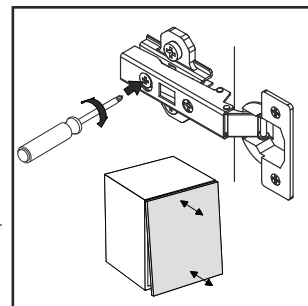
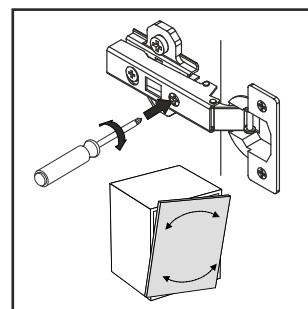
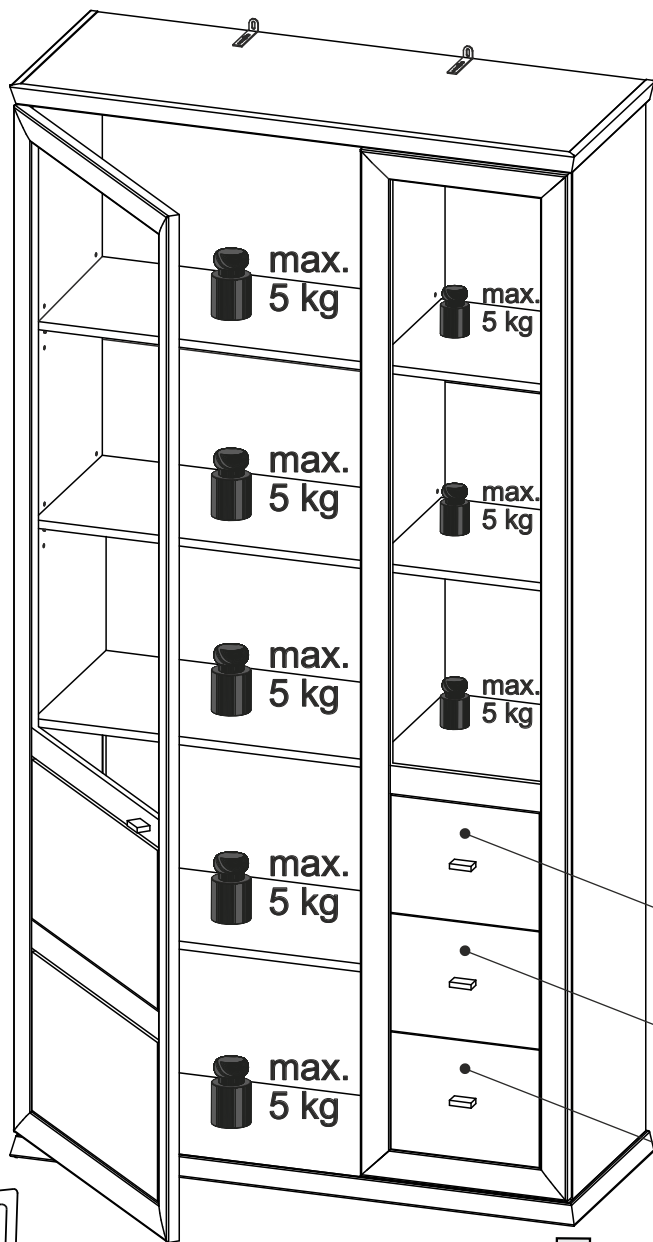
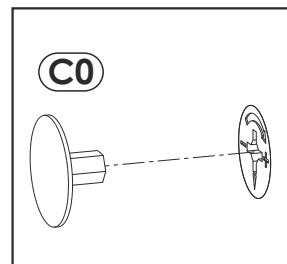
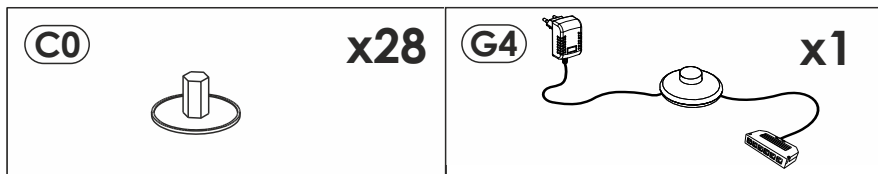
**EO** 5 x 50 mm x2  
8 x 50 mm



# 25 ▶

<b>H2</b>	4 x 22 mm	<b>x2</b>	<b>L6</b>		<b>x1</b>
					





**max. 5 kg**

**max. 5 kg**

**max. 5 kg**

