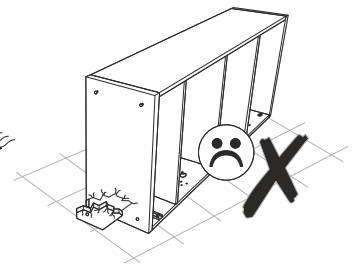
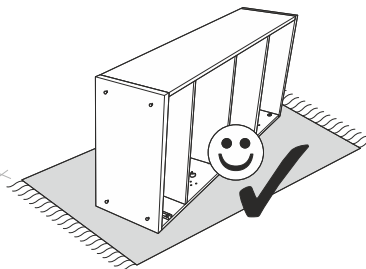
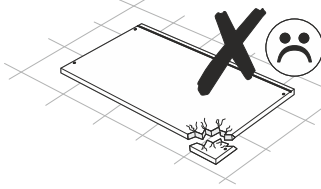
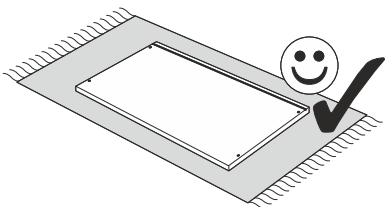
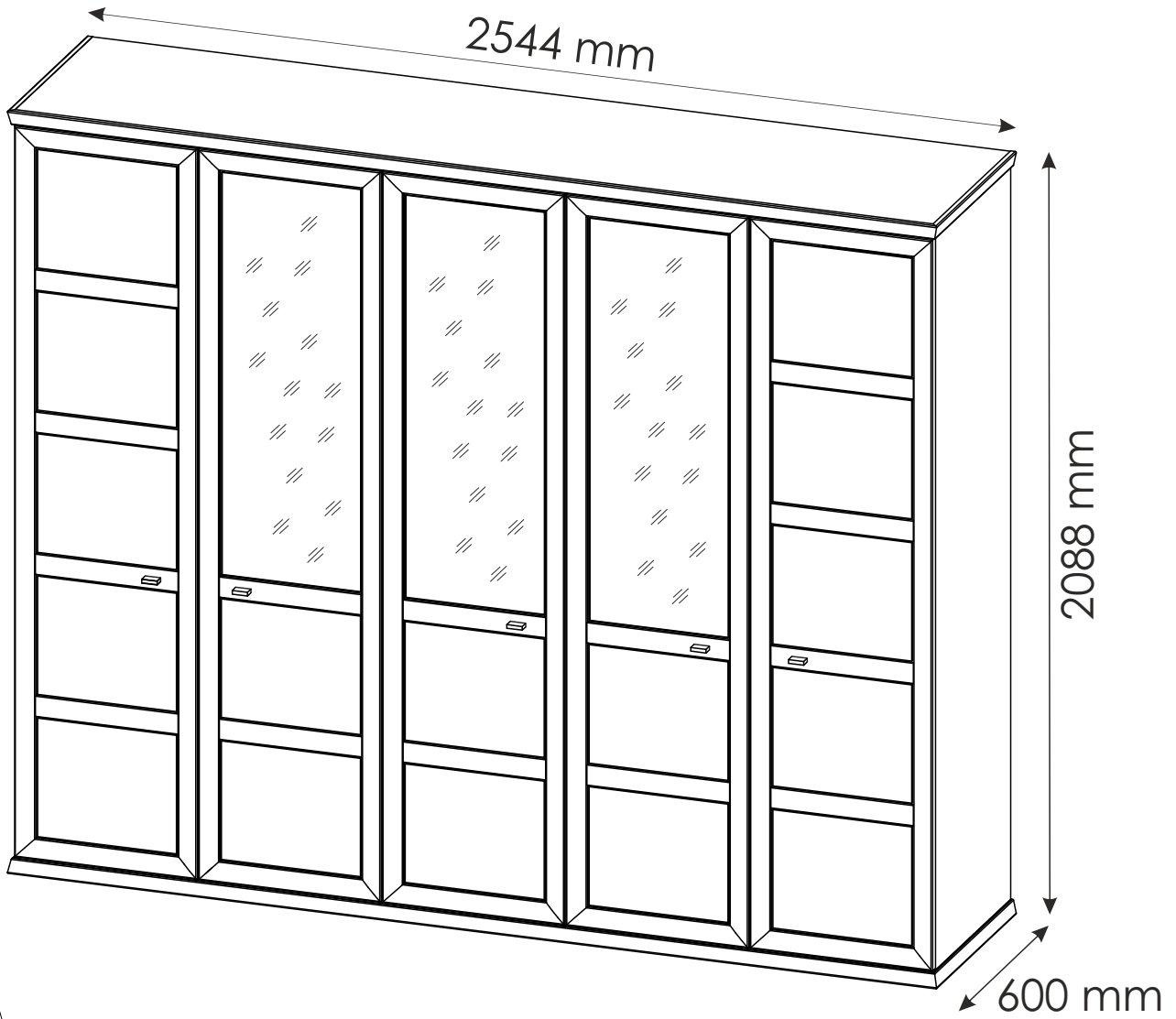
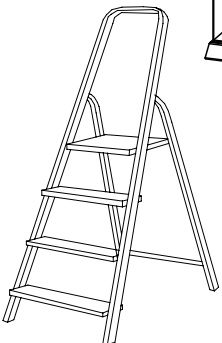









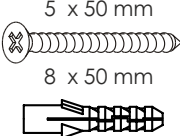

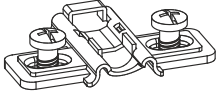
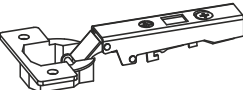
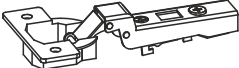
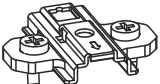


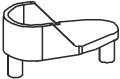
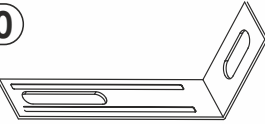


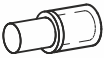

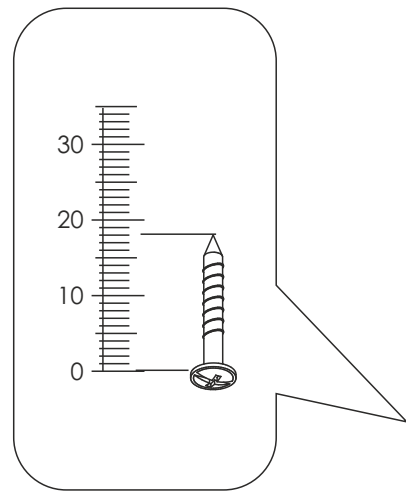
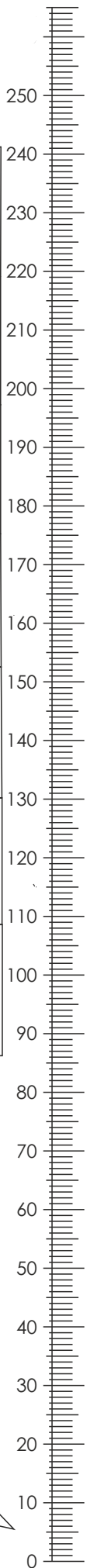
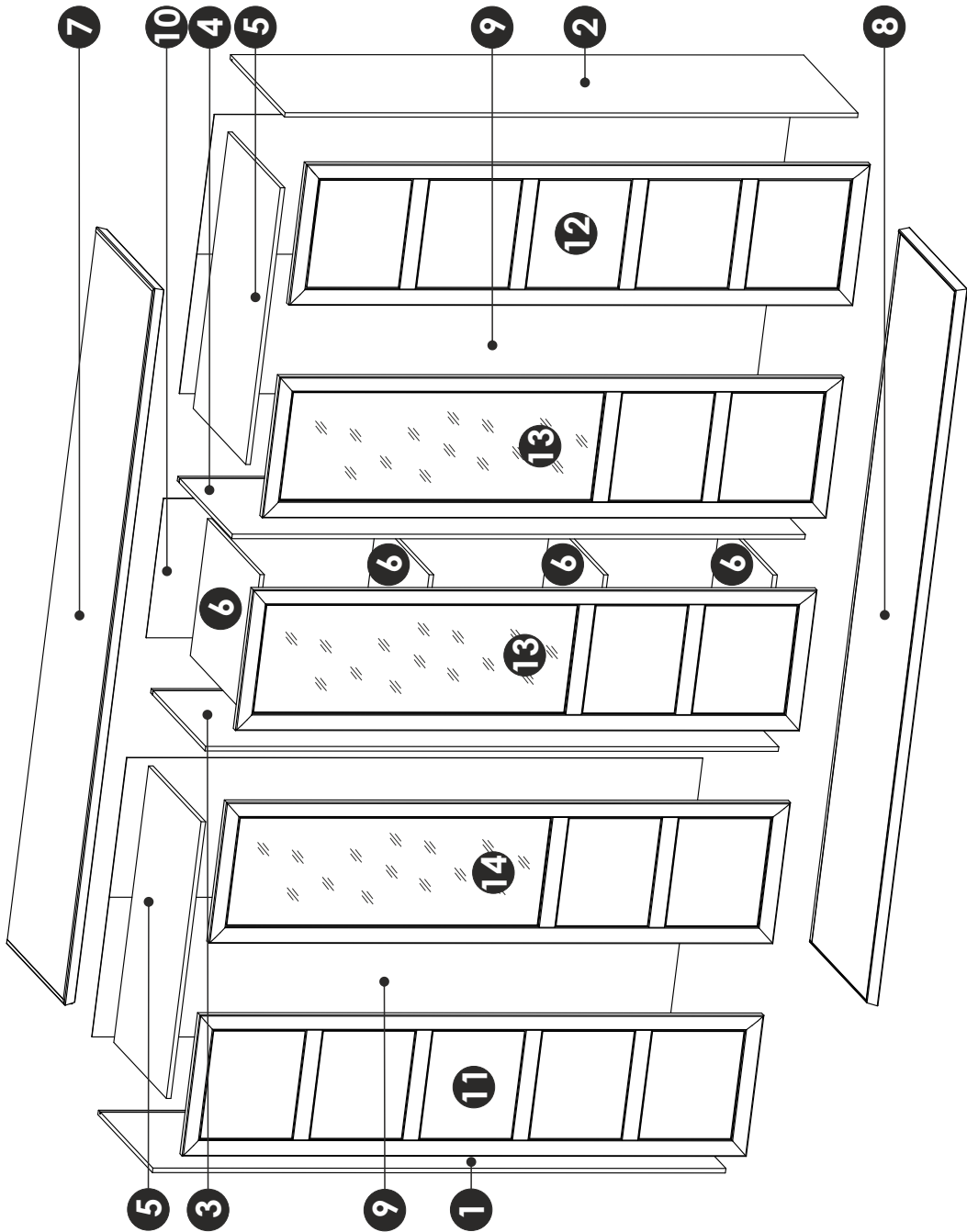
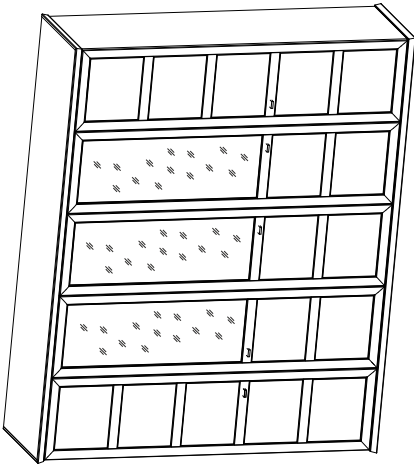


Ø8

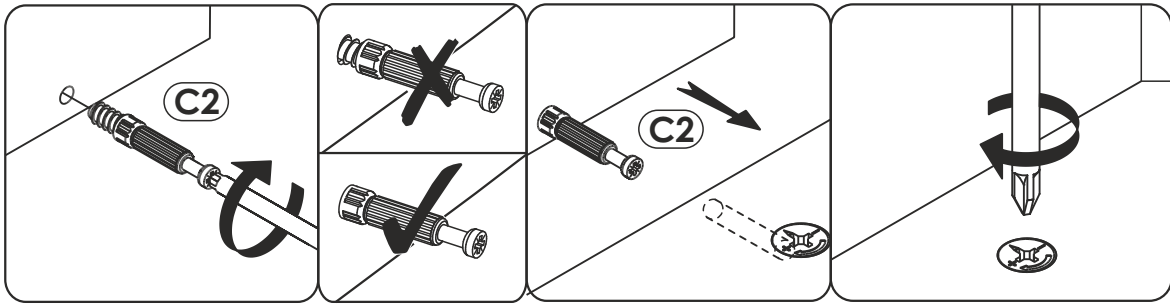


A0 8 x 30mm 	x16	C0 	x16	C7 16mm 	x16
C2 	x16	C10 6.3 x 20 mm 	x8	D5 3.5 x 16 mm 	x4
D10 4 x 16 mm 	x40	D21 5 x 13 mm 	x2	D30 EURO 6.3 x 13 mm 	x26
E0 5 x 50 mm 8 x 50 mm 	x2	H2 4 x 22 mm 	x10	J3 	x12
J10 	x8	J13 	x12	J14 	x8
L6 	x5	M0 	x26	O0 	x4
P0 	x2	S0 L-972 	x2	Q3 	x16
Q4 	x4	U2 	x12		


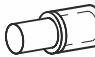



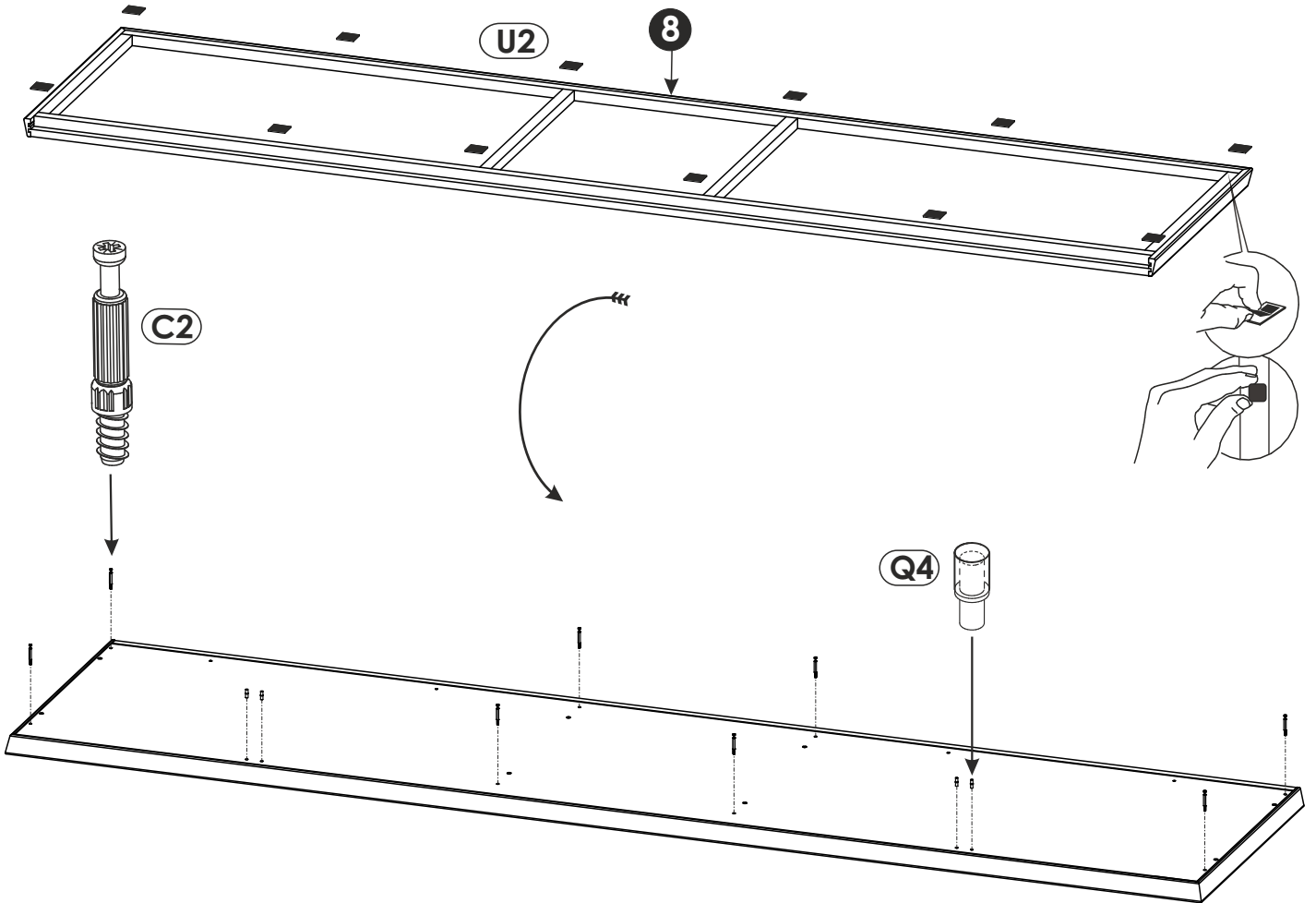


1	2032	565	16 x1	1/8
2	2032	565	16 x1	1/8
3	2032	565	16 x1	2/8
4	2032	565	16 x1	2/8
5	981	545	16 x2	3/8
6	486	536	16 x4	3/8
7	2544	600	40 x1	7/8
8	2544	600	40 x1	8/8
9	2042	990	2,8 x1	1/8
9	2042	990	2,8 x1	2/8
10	2042	494	2,8 x1	1/8
11	2000	500	25 x1	4/8
12	2000	500	25 x1	4/8
13	2000	500	25 x2	5/8
14	2000	500	25 x1	6/8
S0			x2	3/8



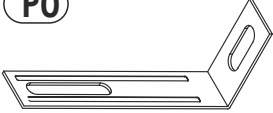


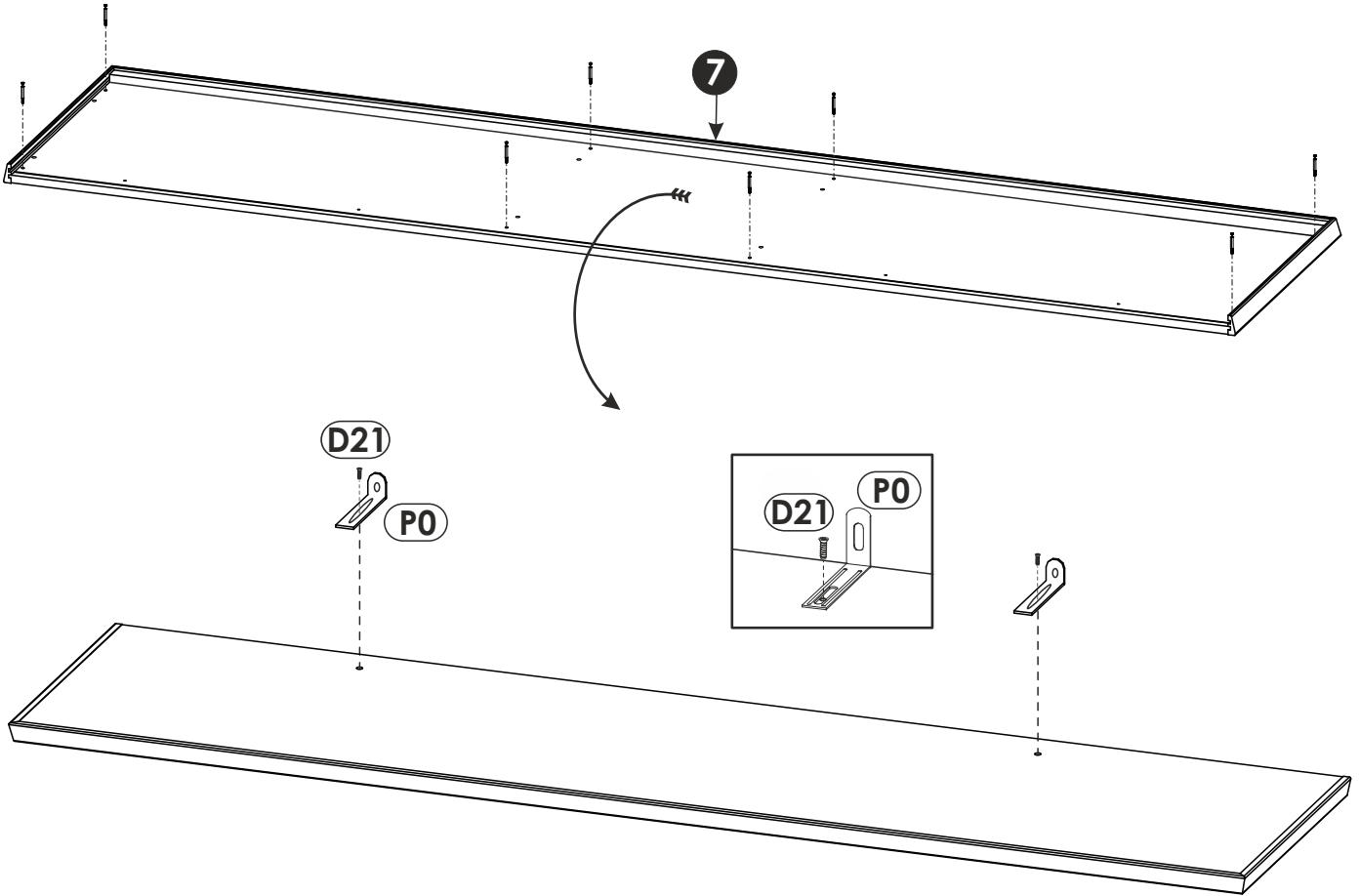
1 ▶

<p>C2 x8</p> 	<p>Q4 x4</p> 	<p>U2 x12</p> 
--	--	---






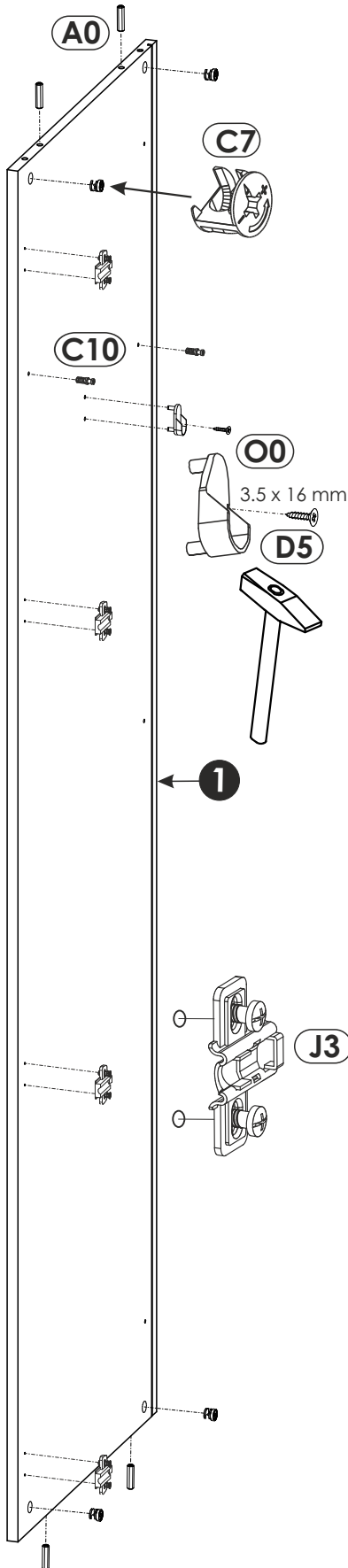
2▶


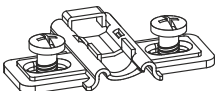

C2 	x8	D21 5 x 13 mm 	x2	P0 	x2
--	-----------	--	-----------	--	-----------

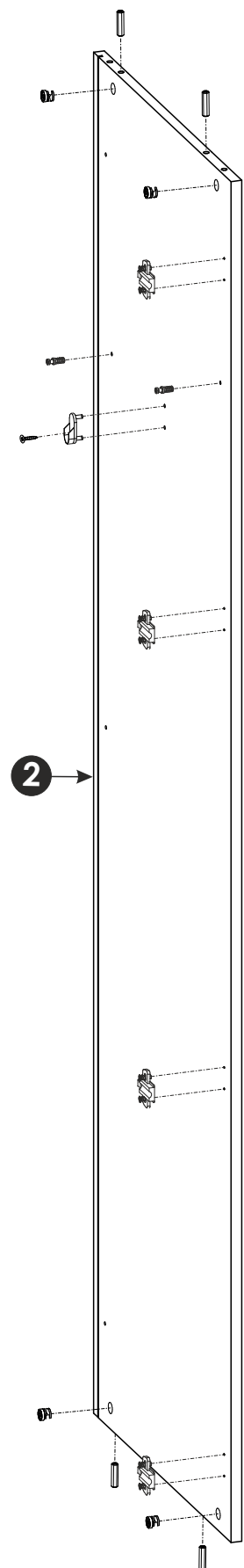
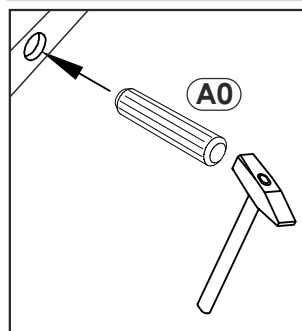
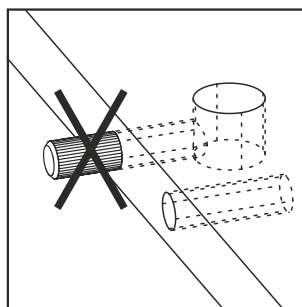
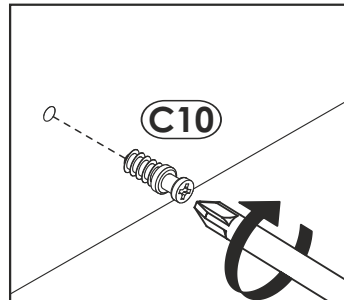


3 ▶




A0 8 x 30mm x8 	C7 16mm x8 	C10 6.3 x 20 mm x4 
---	---	---


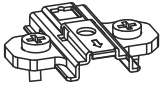
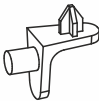
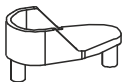


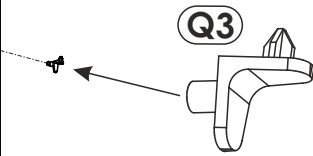
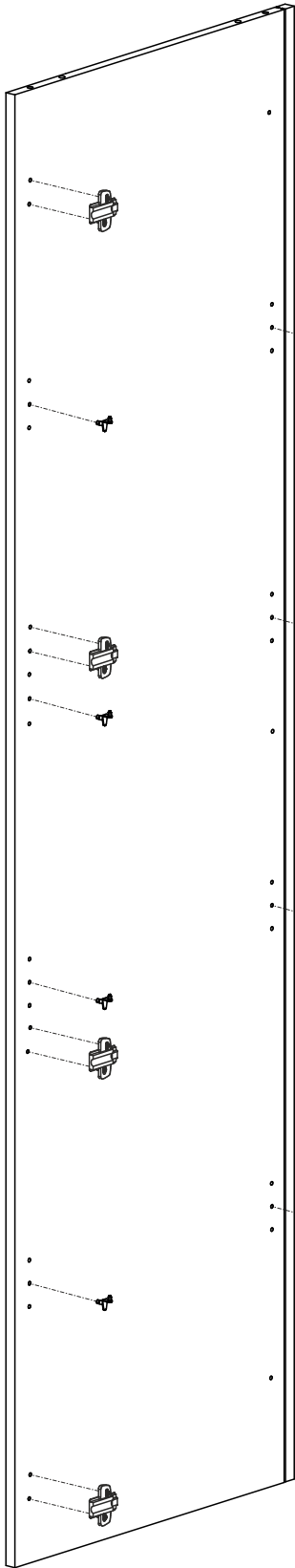
D5 3.5 x 16 mm x2 	J3 x8 	O0 x2 
--	---	---



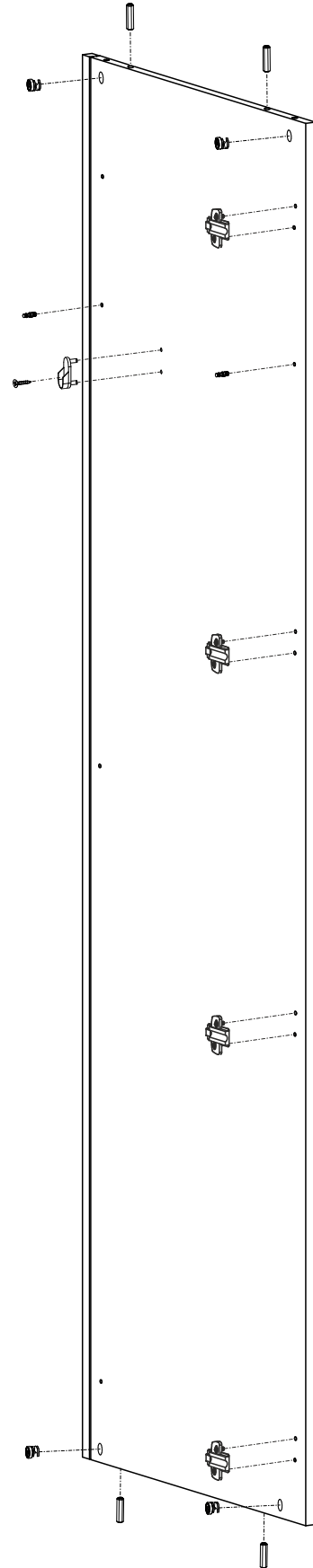
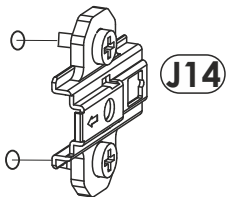
4 ▶

A0 8 x 30mm 	C7 16mm 	C10 6.3 x 20 mm 
--	--	--




D5 3.5 x 16 mm 	J14 
Q3 	O0 


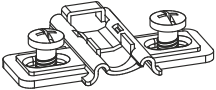
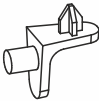
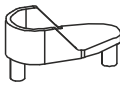


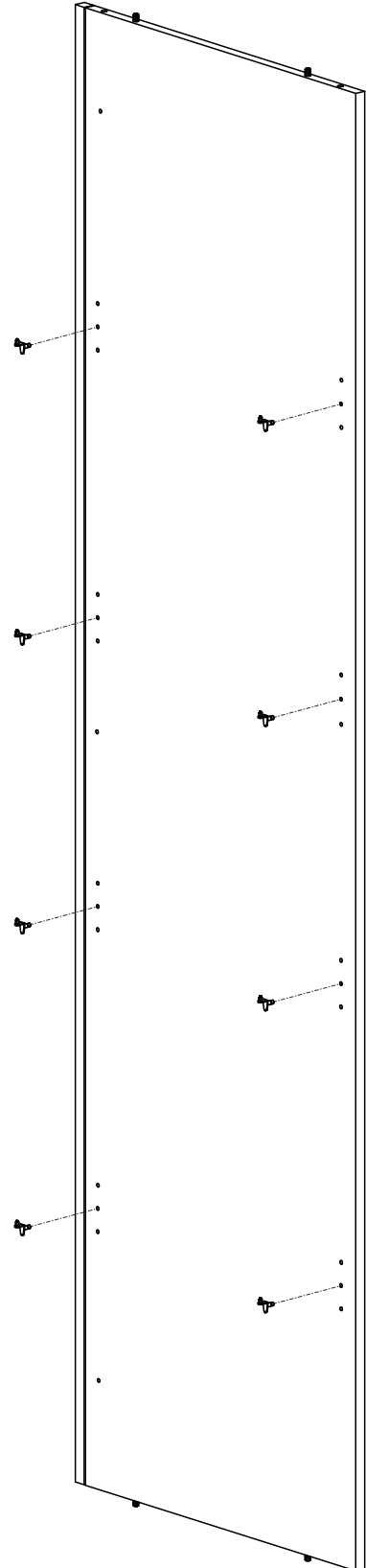
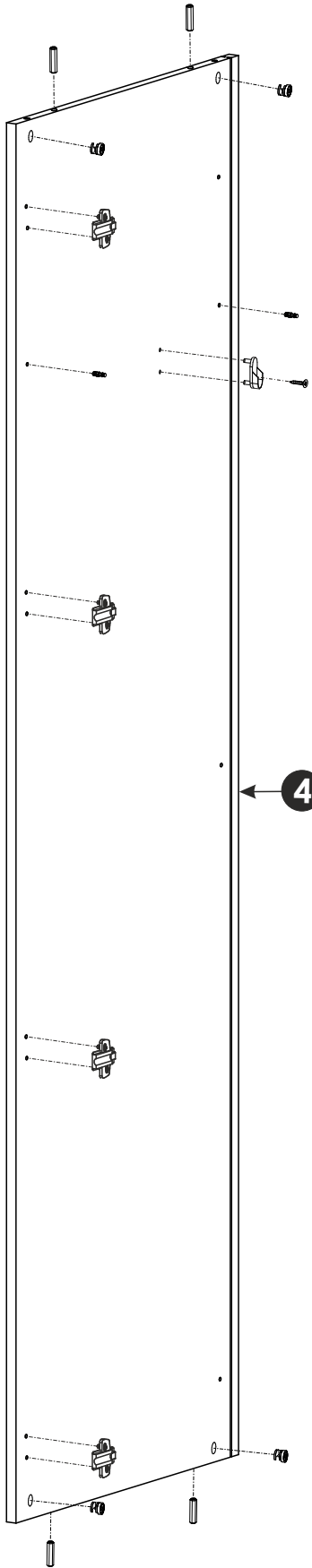
3



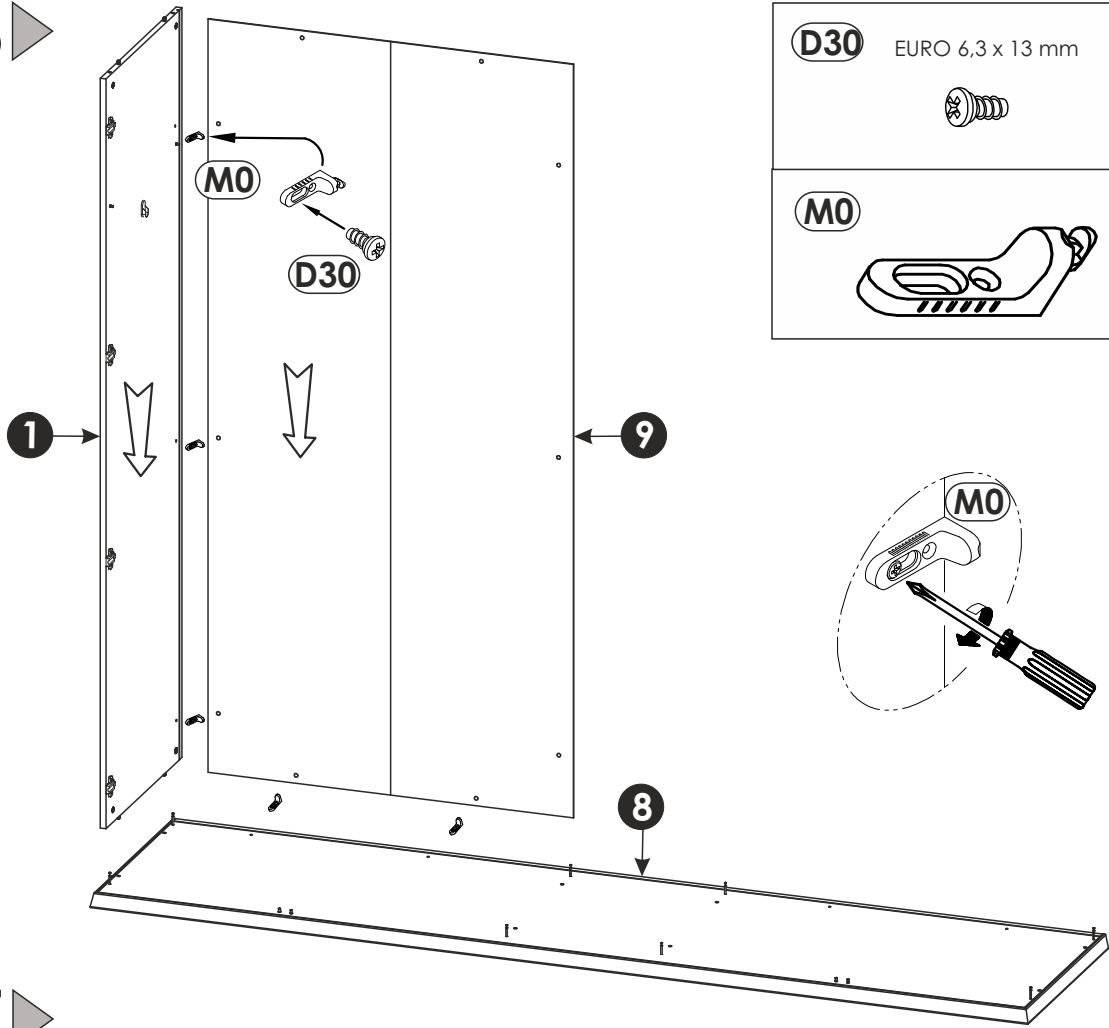
5 ▶



A0 8 x 30mm 	C7 16mm 	C10 6.3 x 20 mm 
--	--	--

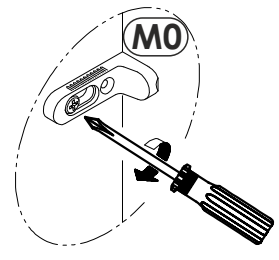
D5 3.5 x 16 mm 	J3 
Q3 	O0 



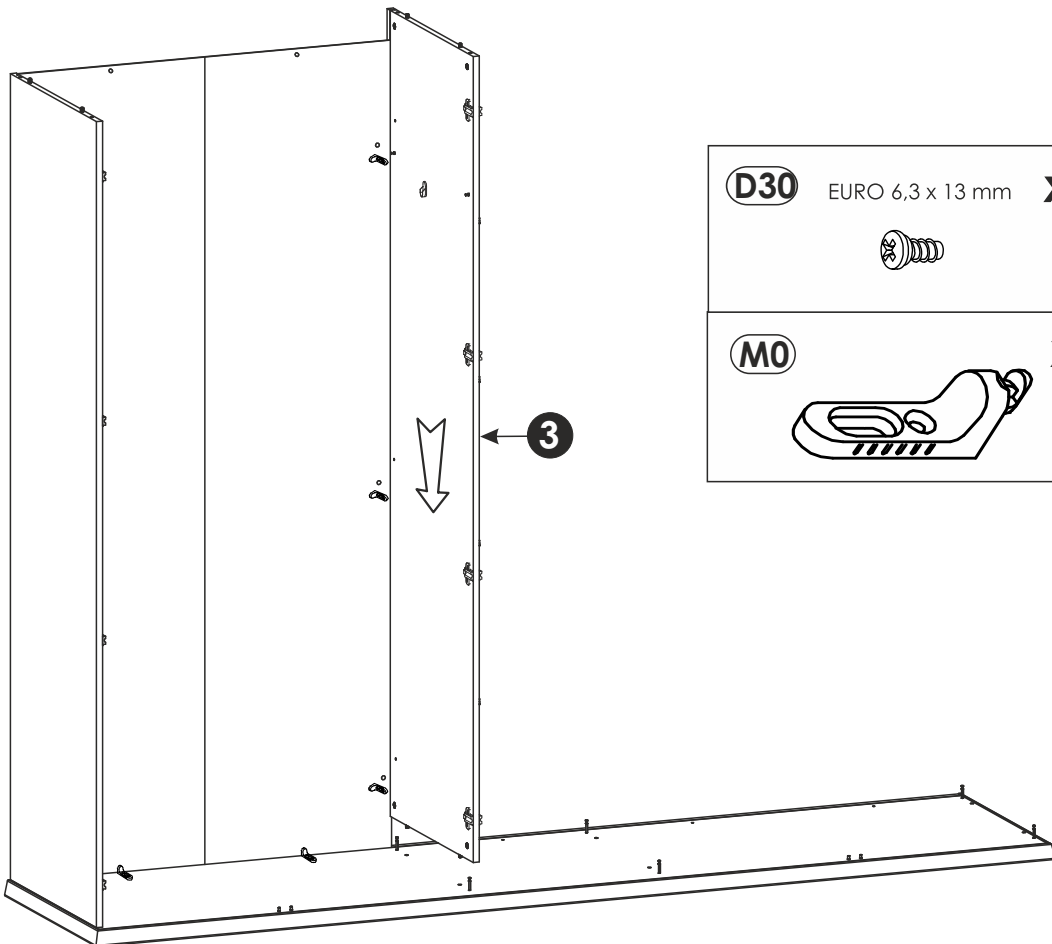
6 ▶




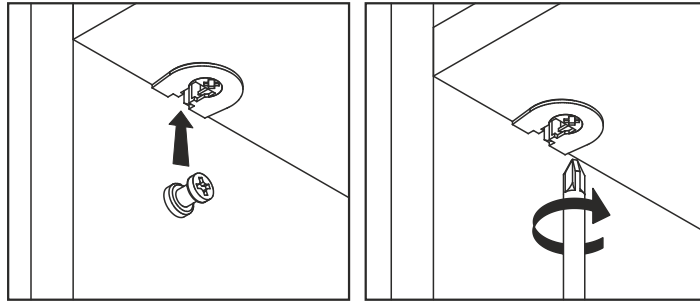
D30	EURO 6,3 x 13 mm	x5
		
M0		x5
		



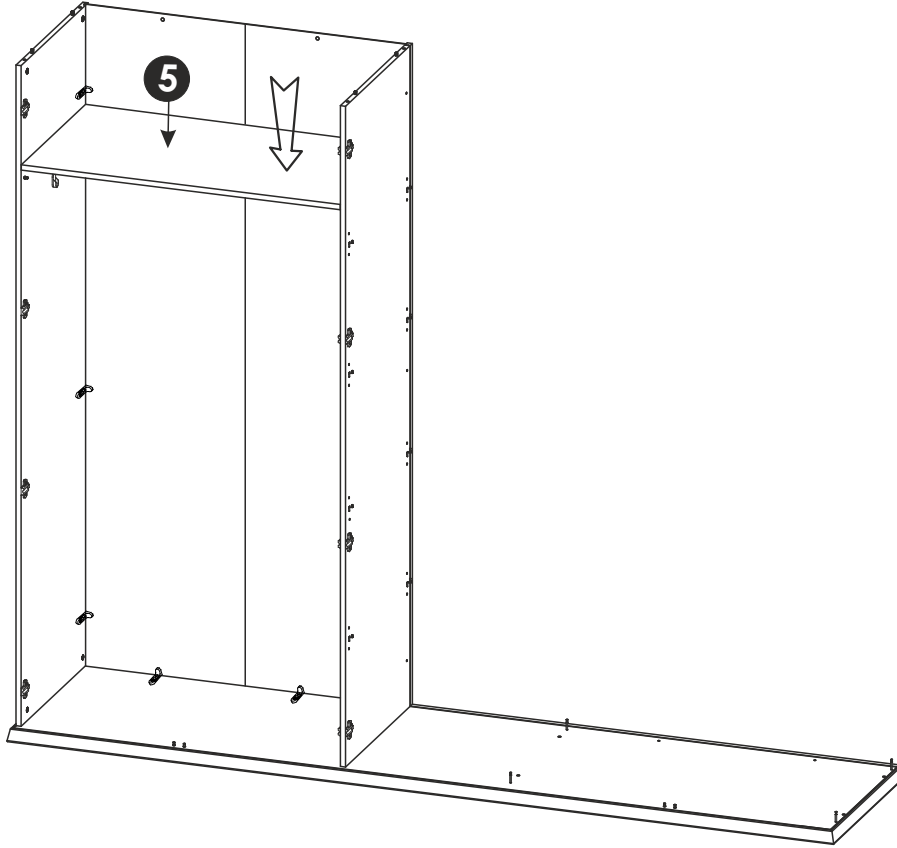
7 ▶



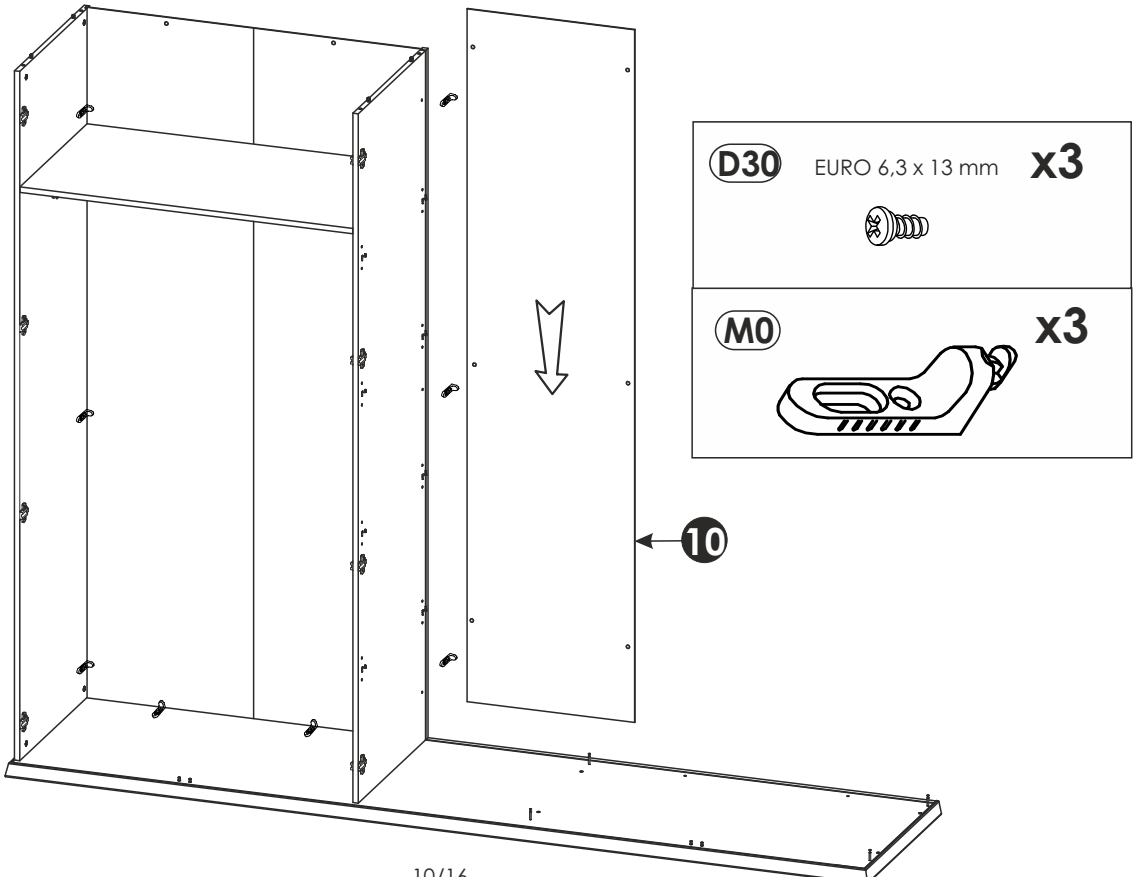
D30	EURO 6,3 x 13 mm	x3
		
M0		x3
		





8 ▶

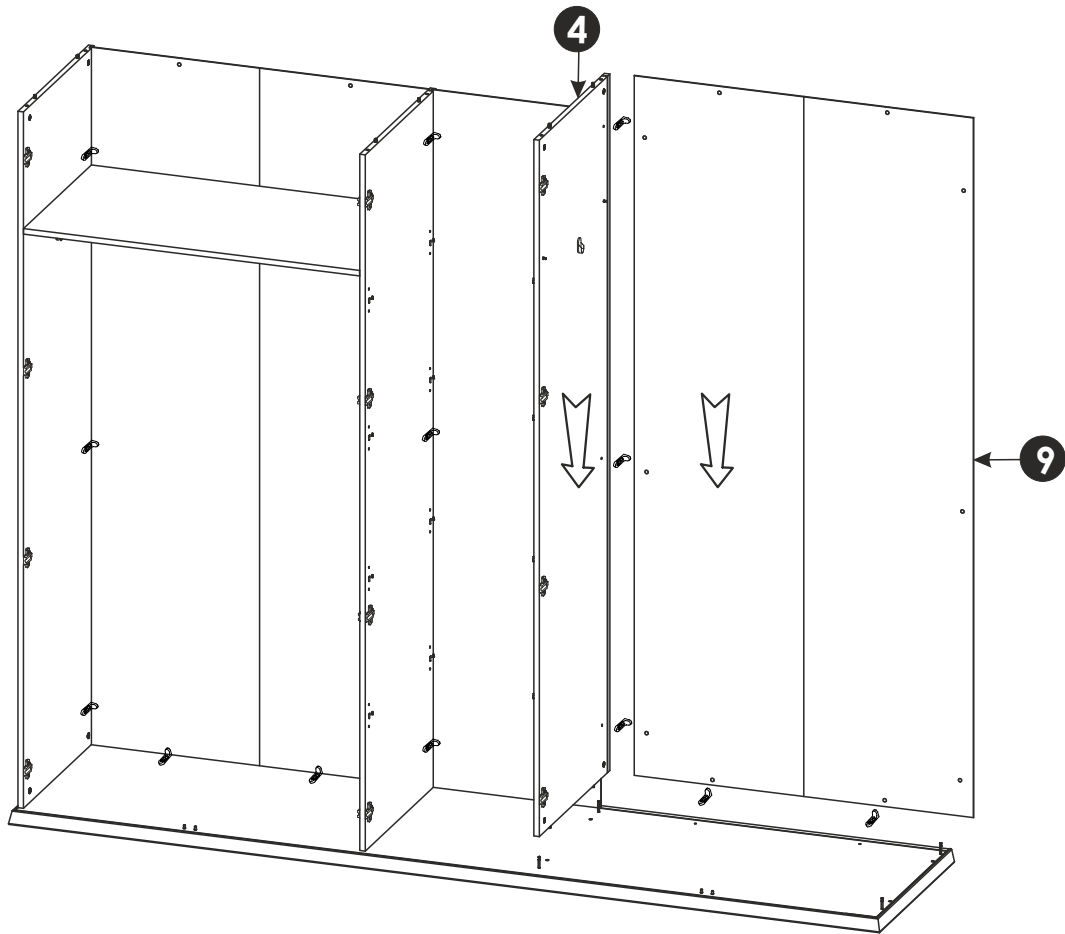


9 ▶





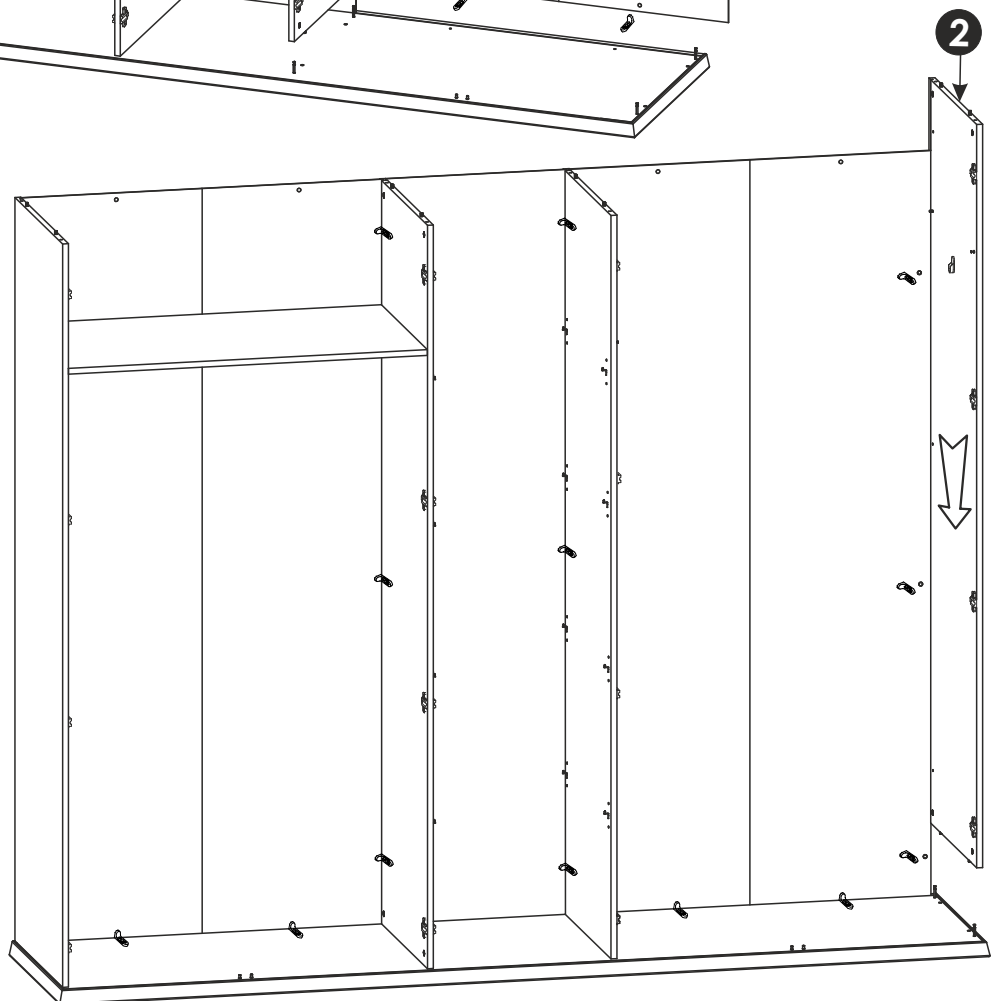
10 ▶

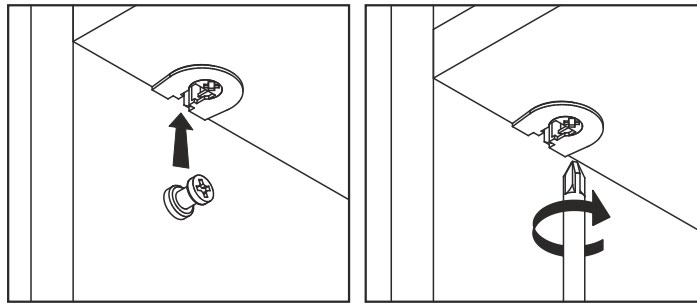
D30	EURO 6,3 x 13 mm	x5	M0		x5
					



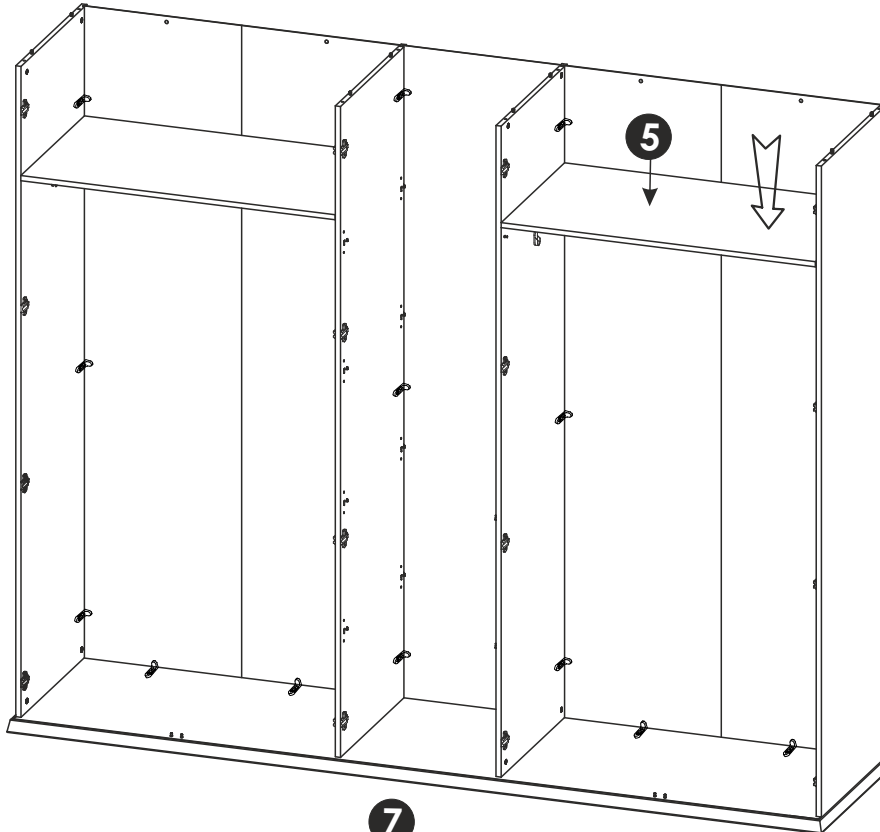
11 ▶

D30	EURO 6,3 x 13 mm	x3
		
M0		x3
		

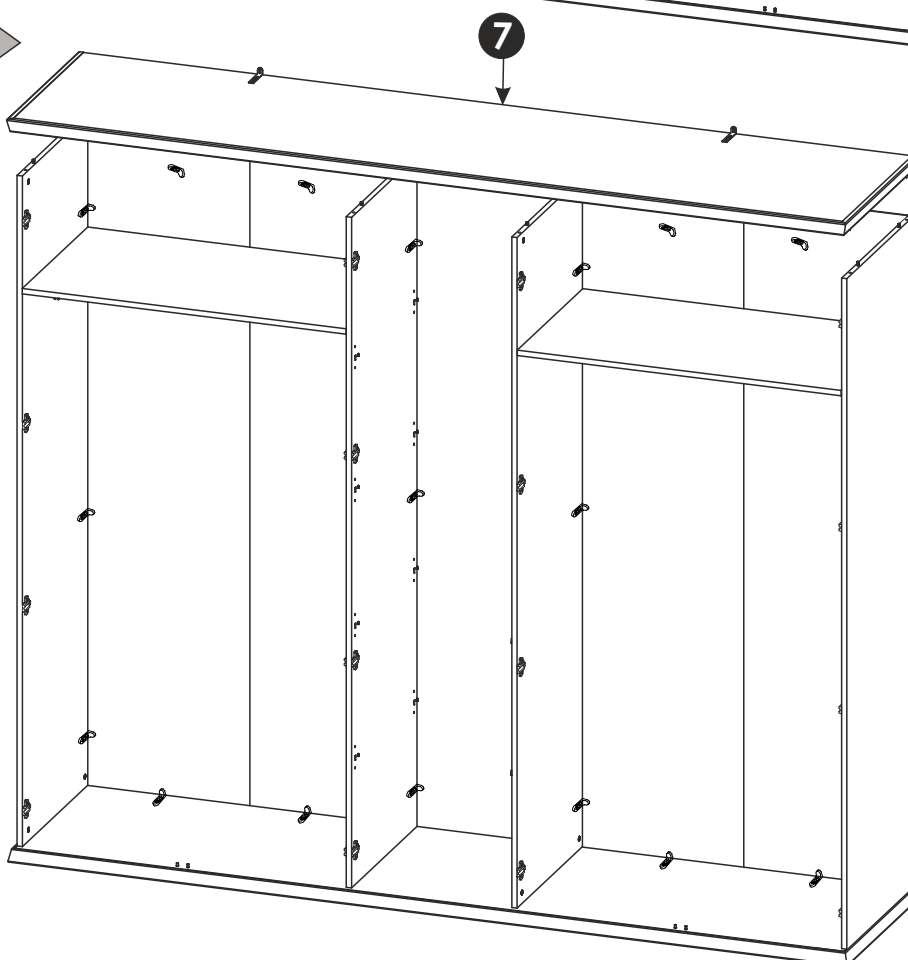




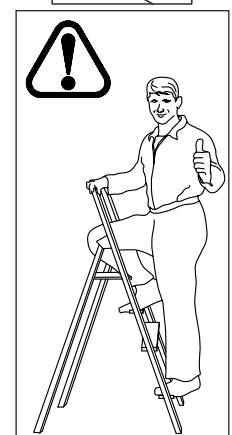
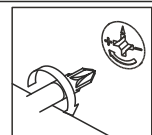
12 ▶



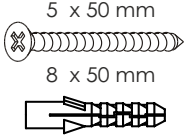

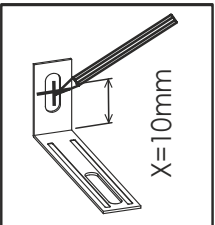
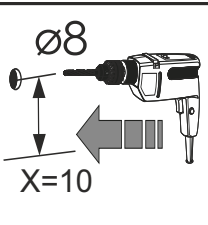
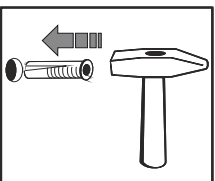
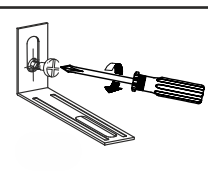
13 ▶

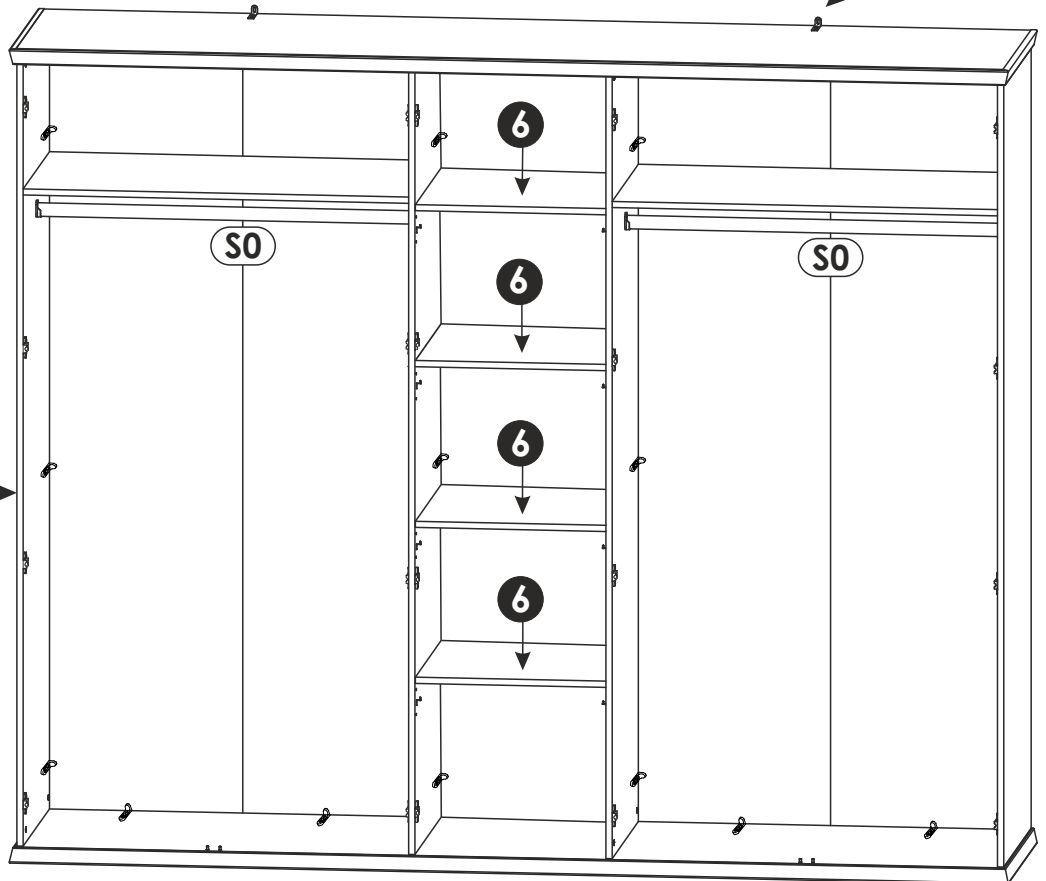
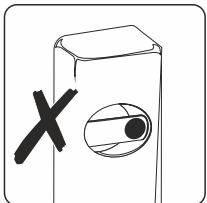
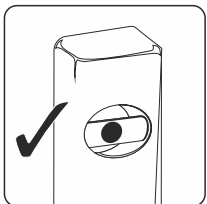
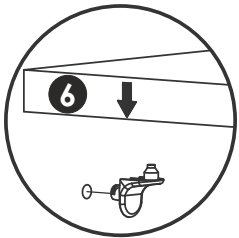
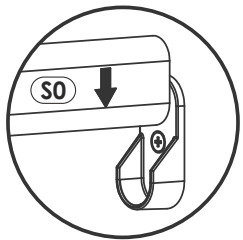
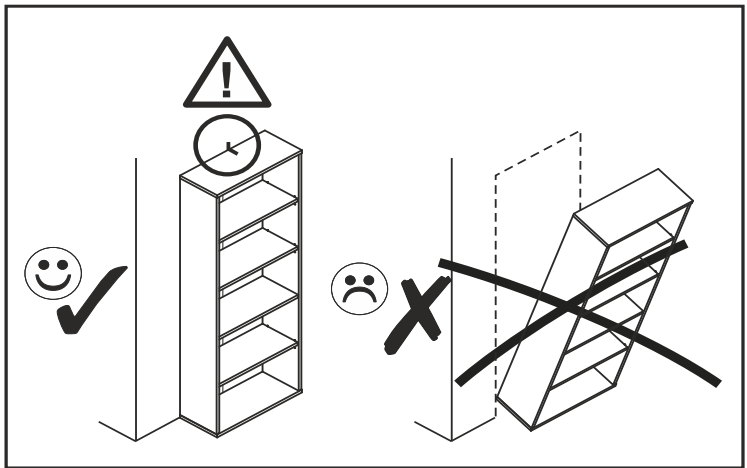
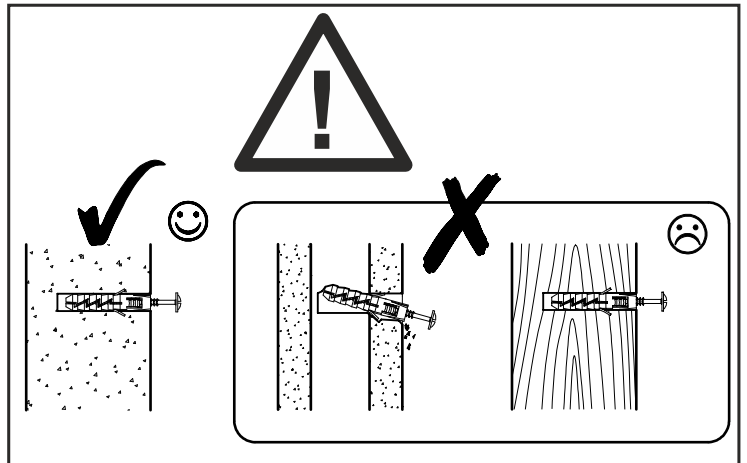


(D30)	EURO 6,3 x 13 mm	x4
(M0)		x4

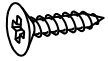
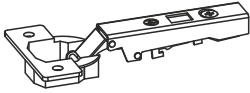


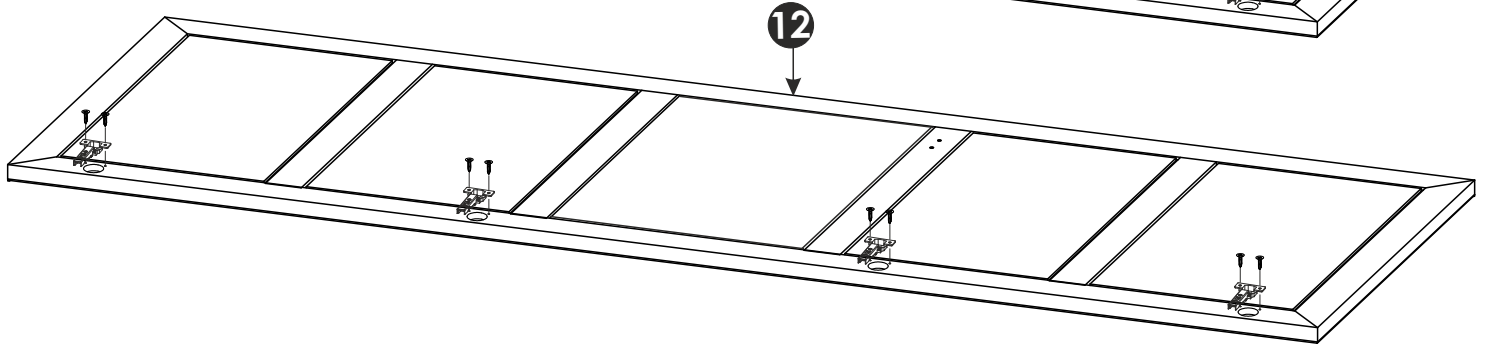
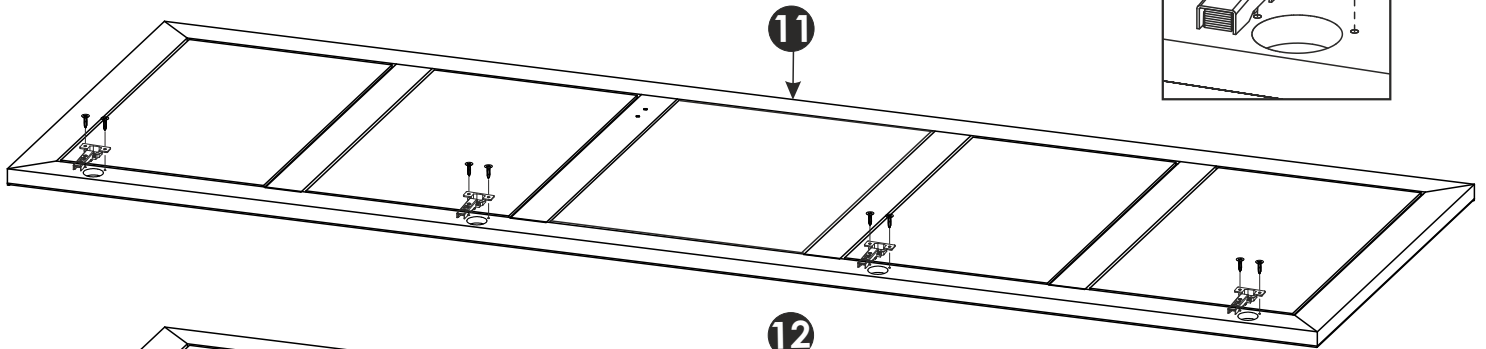
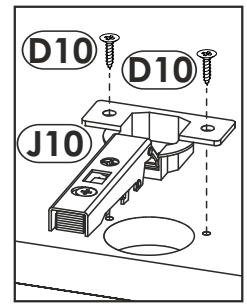
14 ▶

EO	5 x 50 mm 8 x 50 mm 	x2
S0	L-972 	x2
	X=10mm	
	∅8 X=10	
		
		

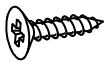
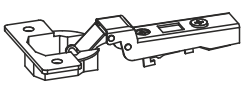


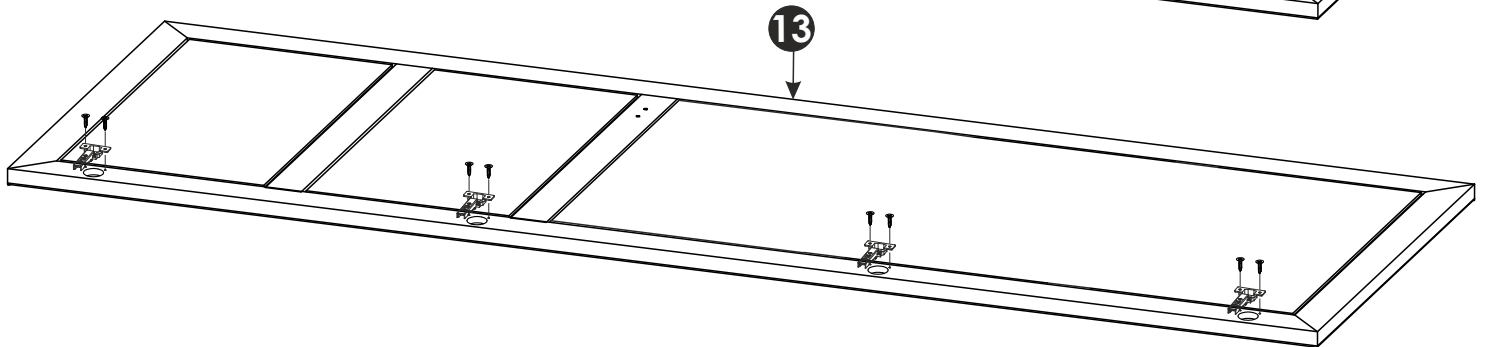
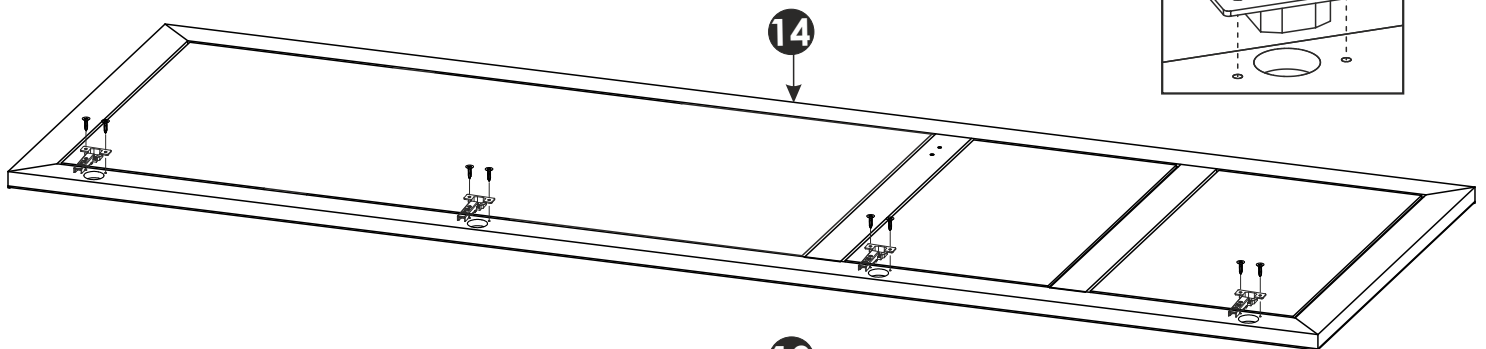
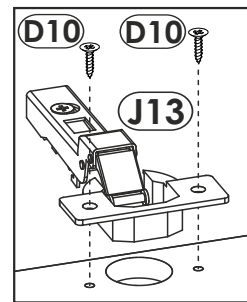
15 ▶

D10	4 x 16 mm	x16	J10	x8
				





16 ▶

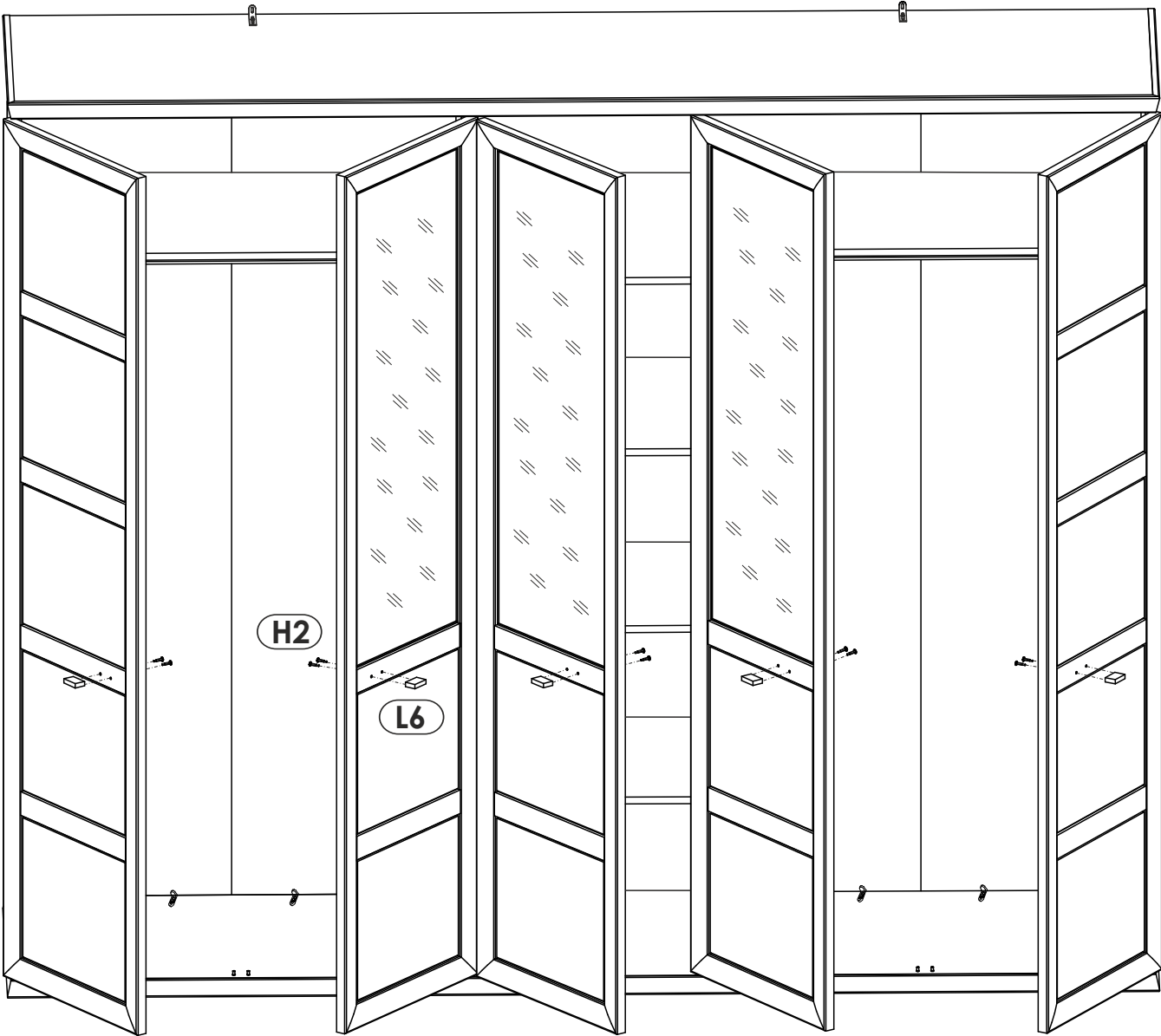
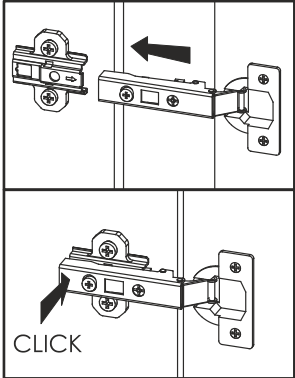
D10	4 x 16 mm	x24	J13	x12
				



x2

17▶

<p>H2</p>  <p>x10</p>	<p>L6</p>  <p>x5</p>
--	---



18▶

