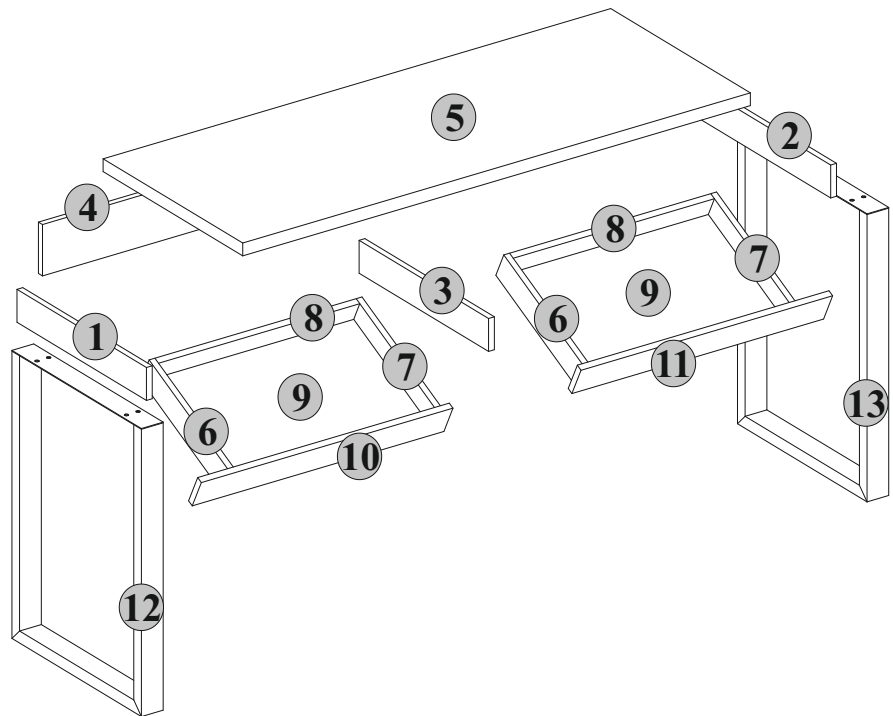
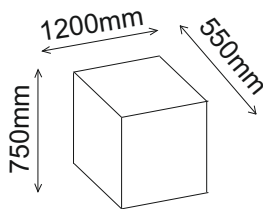


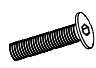




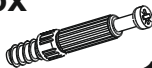
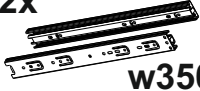
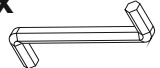
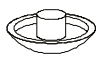






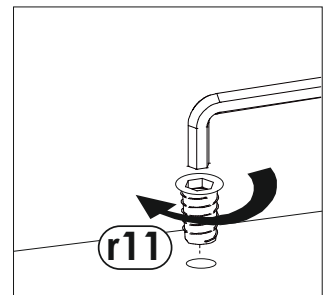
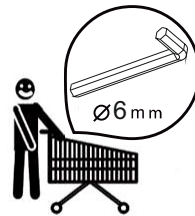
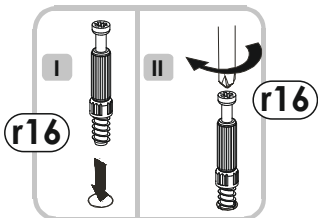
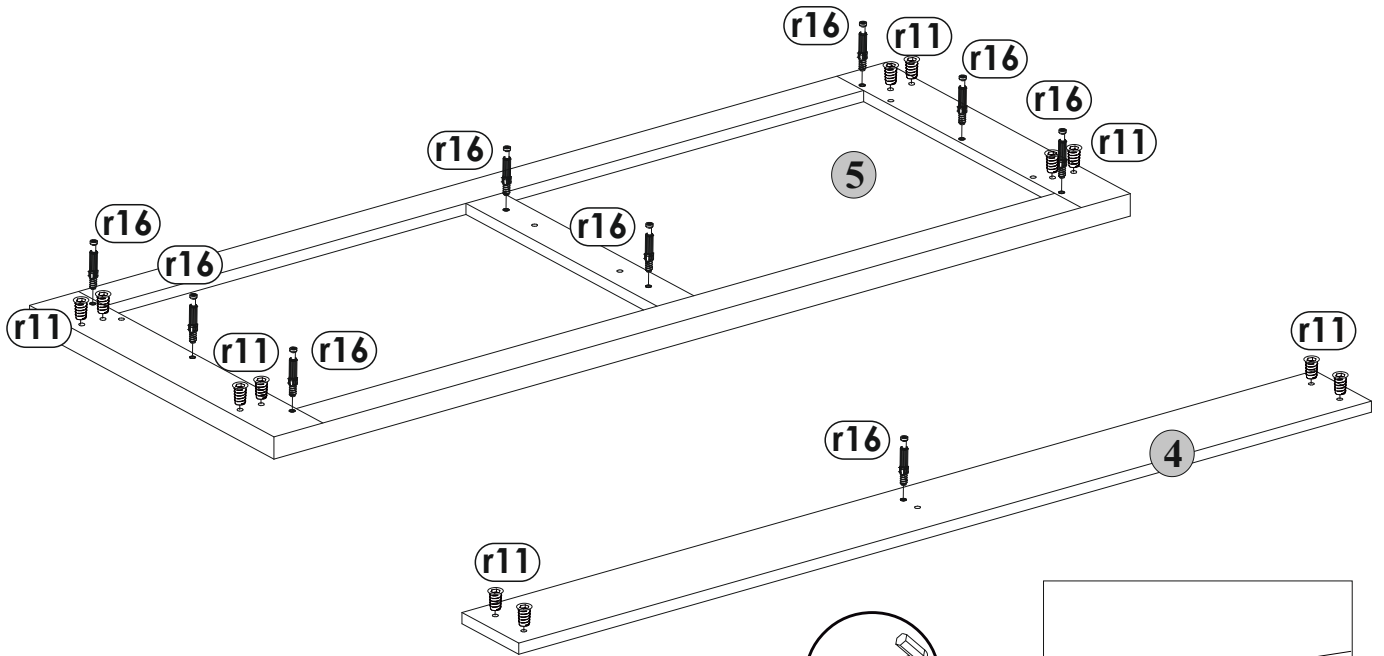
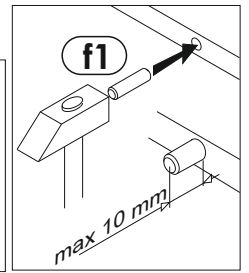
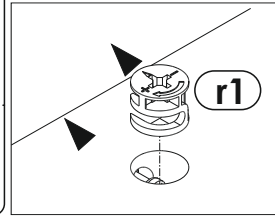
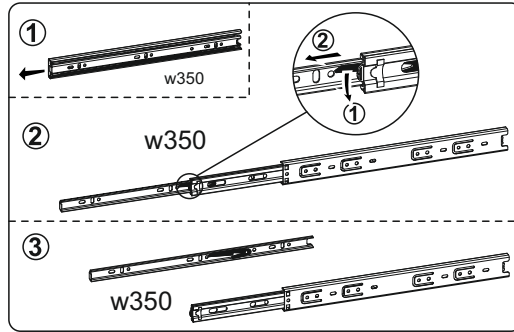
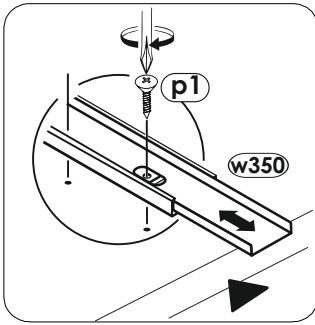
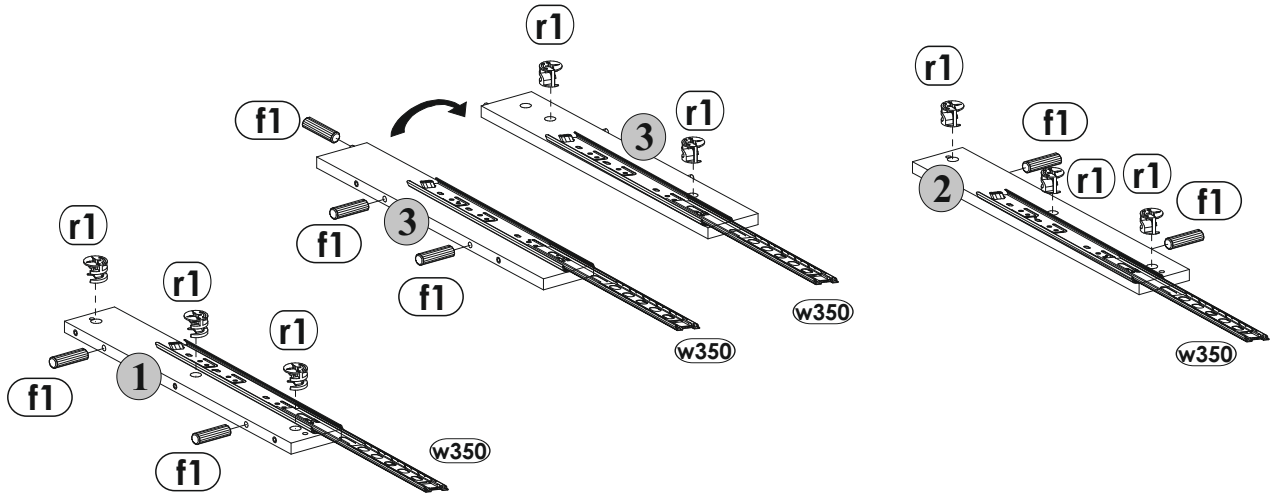


number	Measurements	Pcs.
1	82x510	1
2	82x510	1
3	82x510	1
4	1194x128	1
5	1200x550	1
6	350x70	2
7	350x70	2
8	455x70	2
9	455x334	2
10	594x80	1
11	594x80	1
12	716x510x60	1
13	716x510x60	1

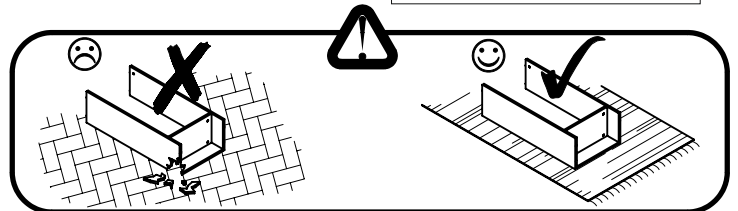
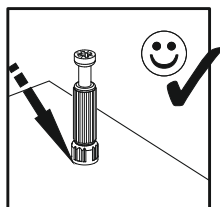
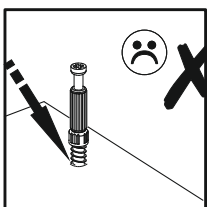


<b>15x</b>  $\phi 15$ #16 <b>r1</b>	<b>15x</b>  <b>s2</b>	<b>4x</b>  $\phi 6 \times 45$ mm <b>j12</b>	<b>12x</b>  <b>r11</b>	<b>2x</b>  <b>c234</b>	<b>2x</b>  <b>o21</b>
<b>4x</b>  $\phi 3.5 \times 25$ mm <b>p8</b>	<b>15x</b>  <b>r16</b>	<b>2x</b>  <b>w350</b>	<b>1x</b>  <b>z1</b>	<b>8x</b>  <b>s1</b>	<b>24x</b>  $\phi 3.5 \times 13$ mm <b>p1</b>
<b>4x</b>  $\phi 24$ mm <b>k22</b>	<b>9x</b>  $\phi 8 \times 30$ mm <b>f1</b>	<b>8x</b>  $\phi 6 \times 20$ mm <b>j10</b>	<b>4x</b>  $\phi 6 \times 30$ mm <b>j8</b>	<b>8x</b>  <b>7x50</b> <b>e1</b>	<b>1</b>

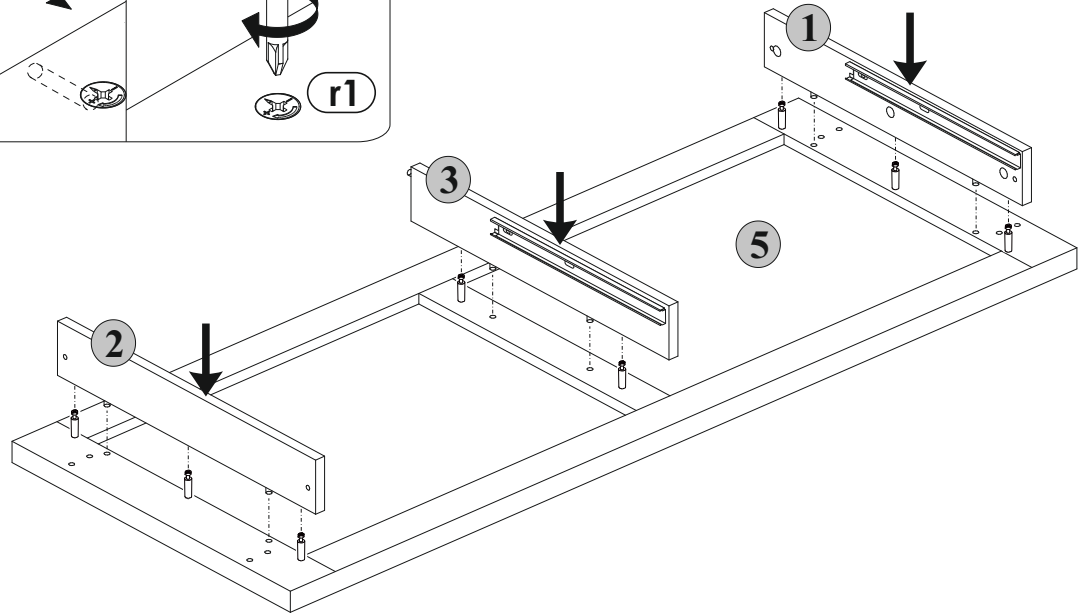
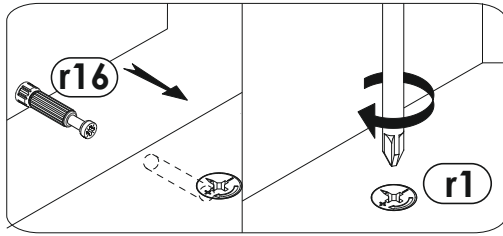
# I



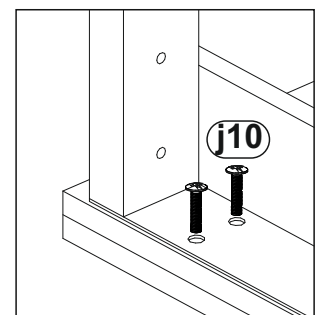
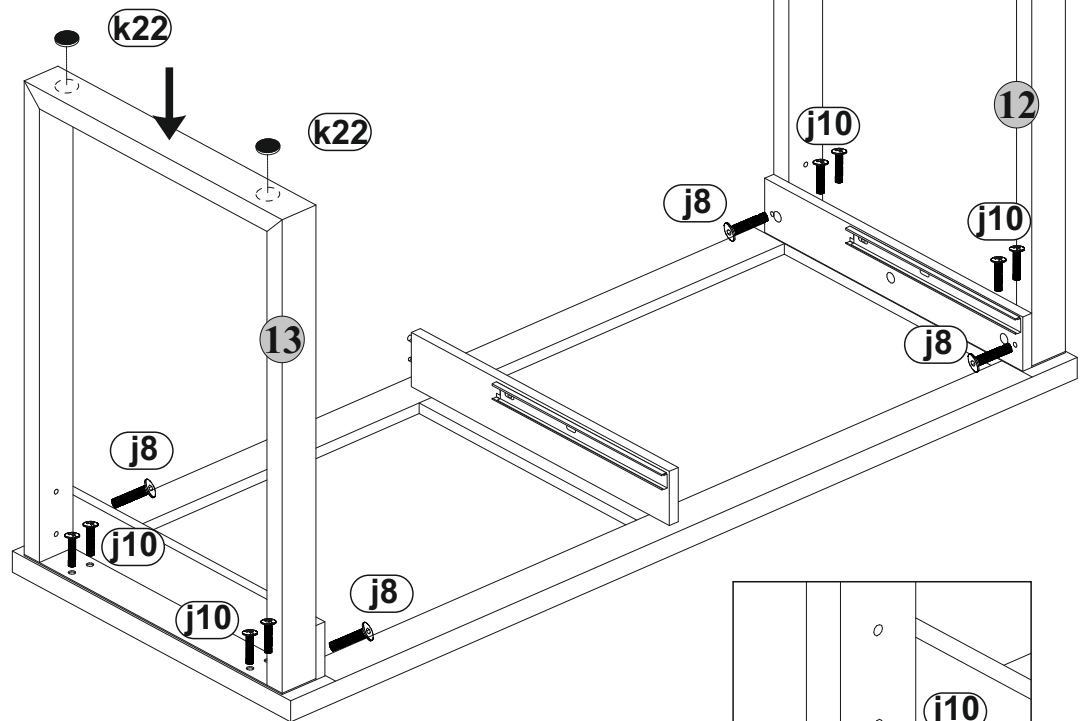
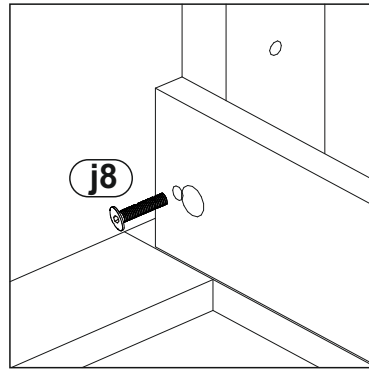
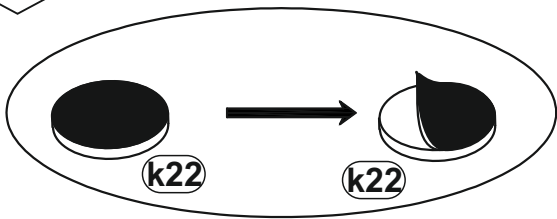
# 2



**2**



**3**



**3**

