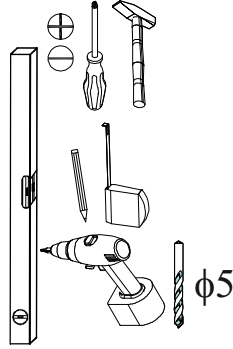
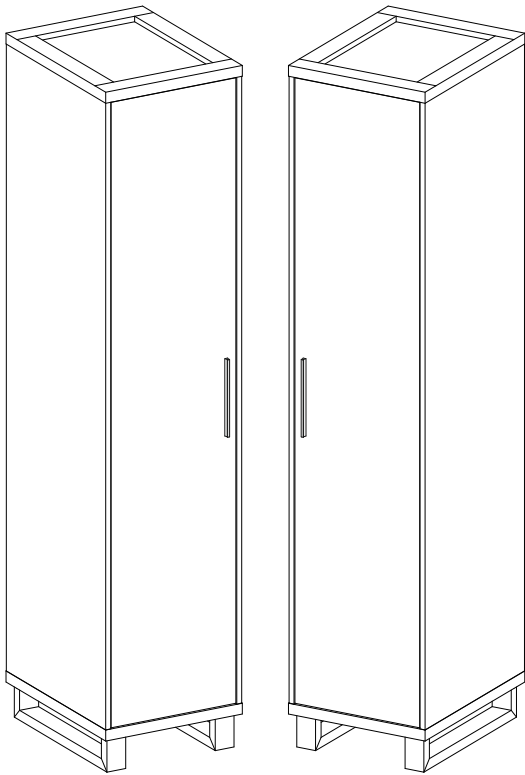
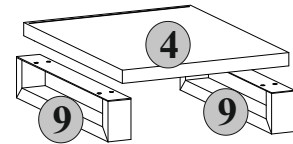
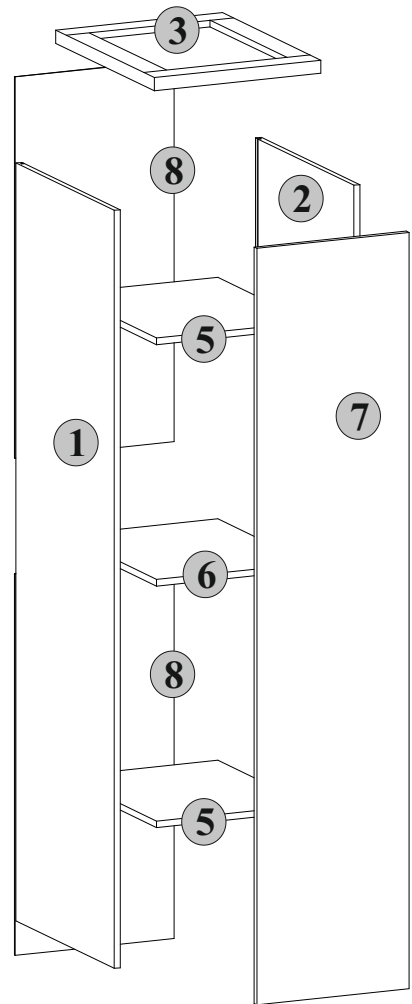
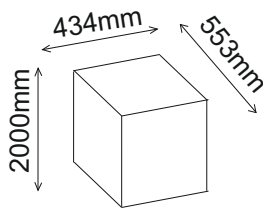


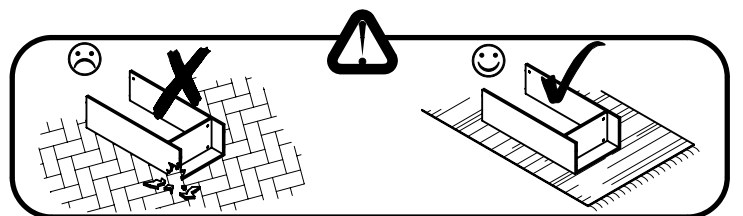
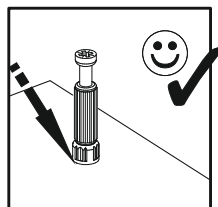
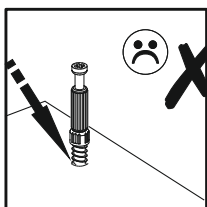
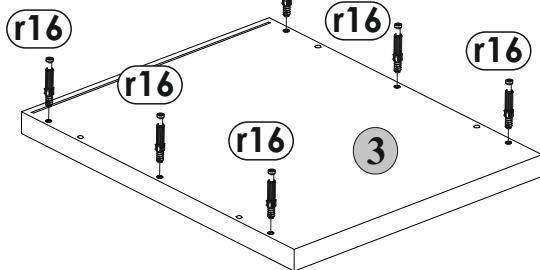
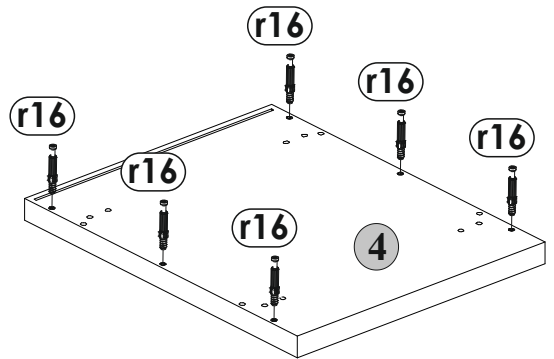
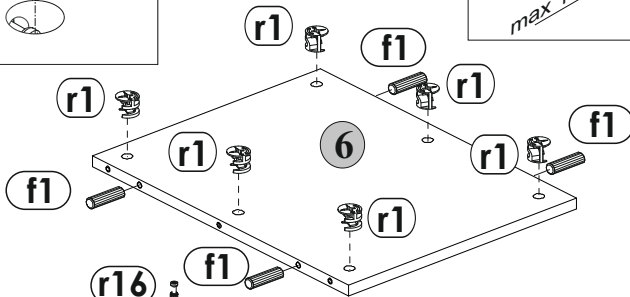
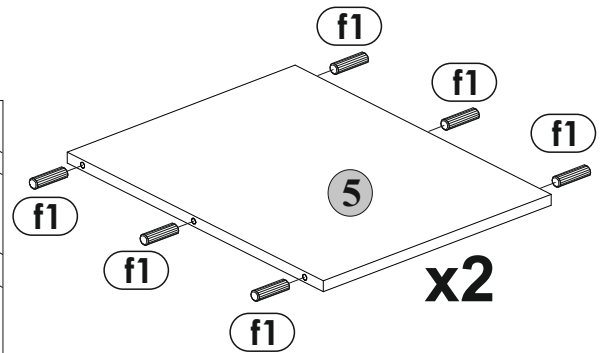
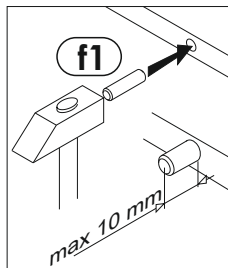
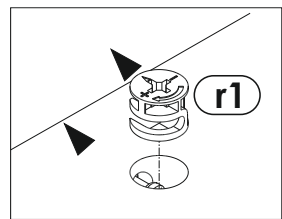
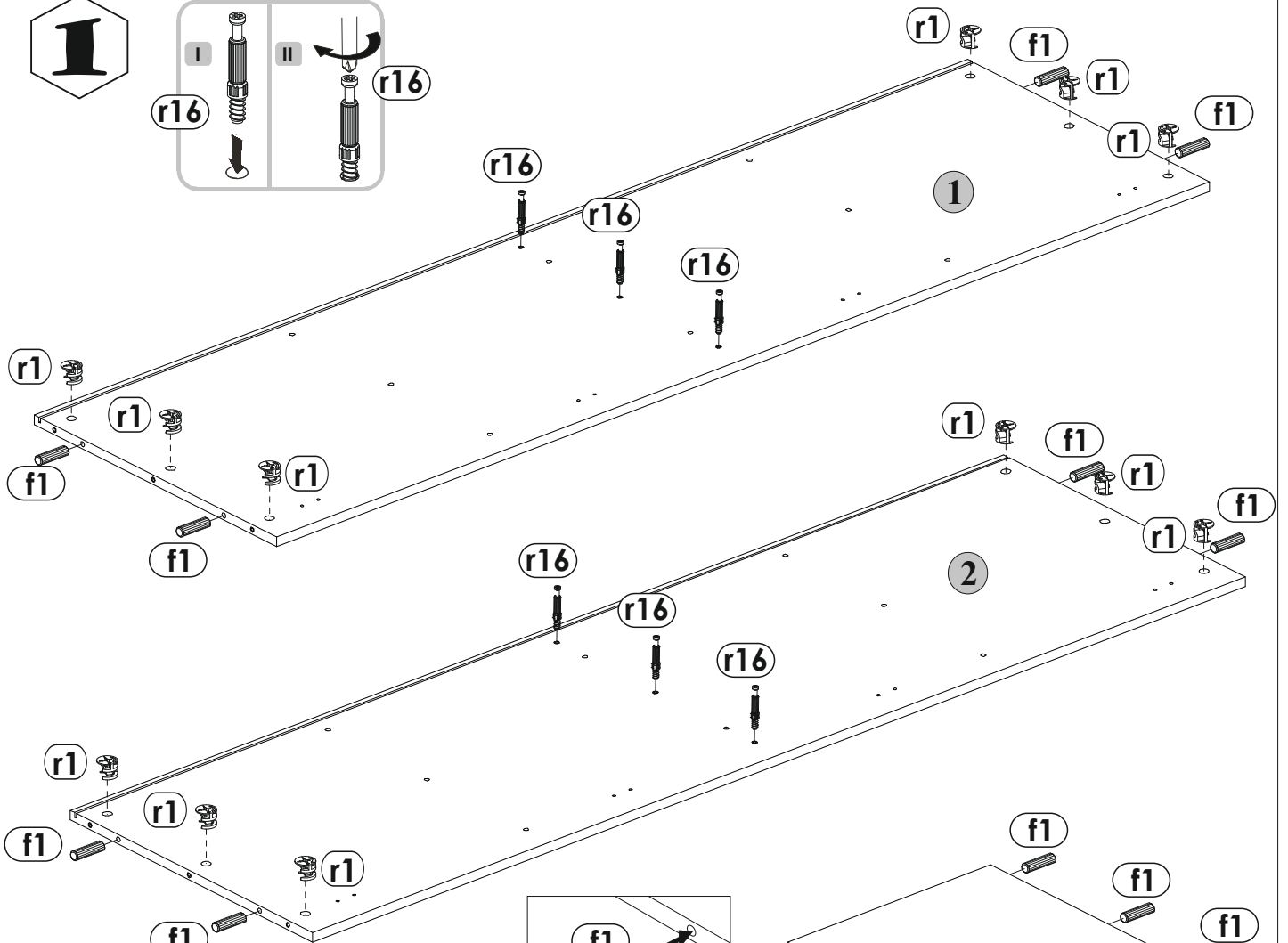
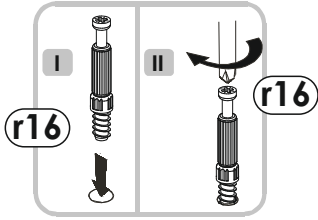
L**R**

number	Measurements	Pcs.
1	1836x548	1
2	1836x548	1
3	434x550	1
4	434x550	1
5	400x516	2
6	400x516	1
7	1832x396	1
8	924x414	2
9	510x100x60	2



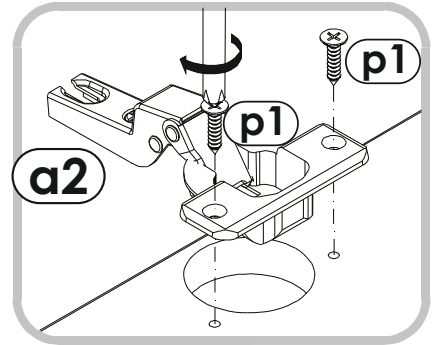
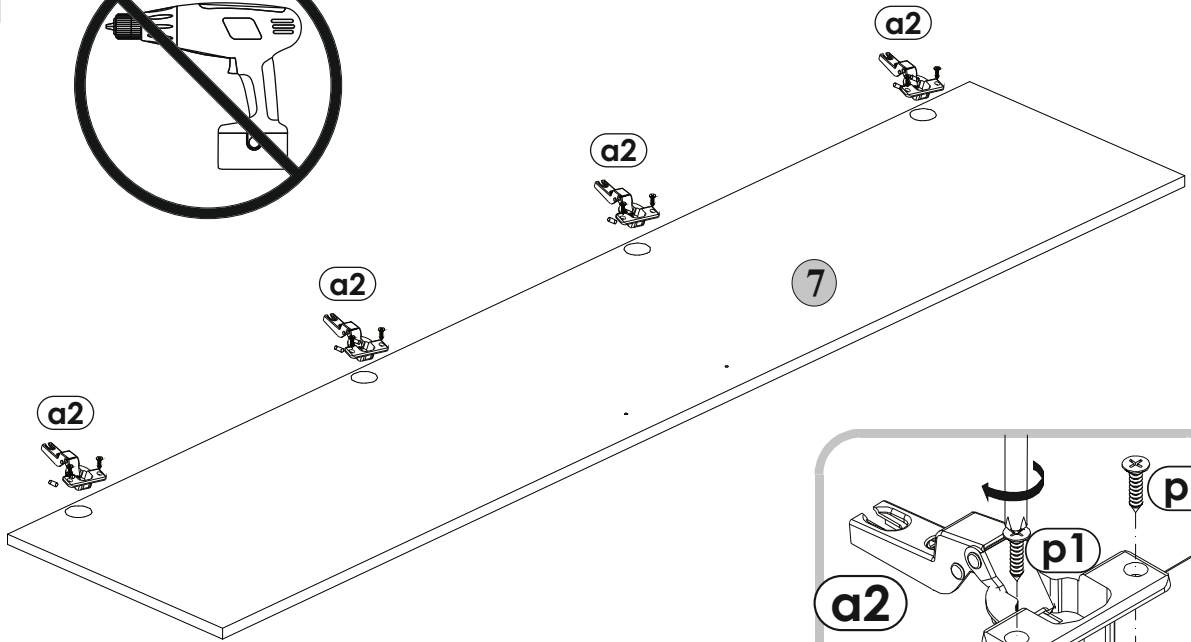
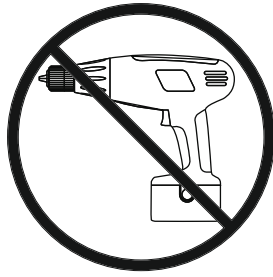
1x c234	3x 3.5 x 20 mm p4	2x o21
18x φ15 #16 r1	18x s2	3x i9
2x φ3.5x25 mm p8	18x r16	8x φ6.3x13 mm e2
4x φ24 mm k22	24x φ8x30 mm f1	16x i2
4x j5²	8x j5¹	4x b1
8x φ3.5x13 mm p1	4x a1	

1

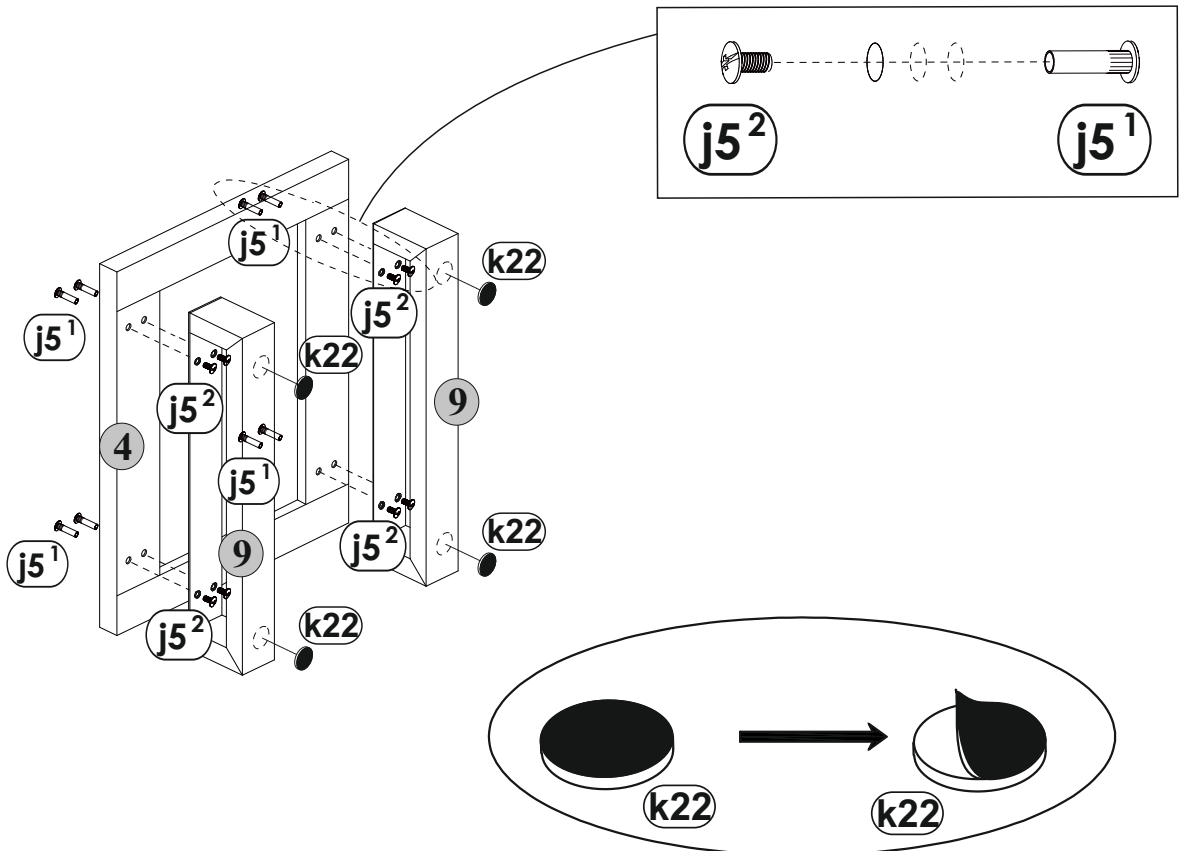


2

2

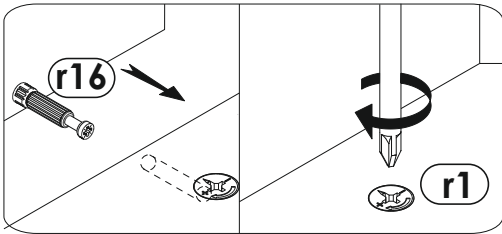
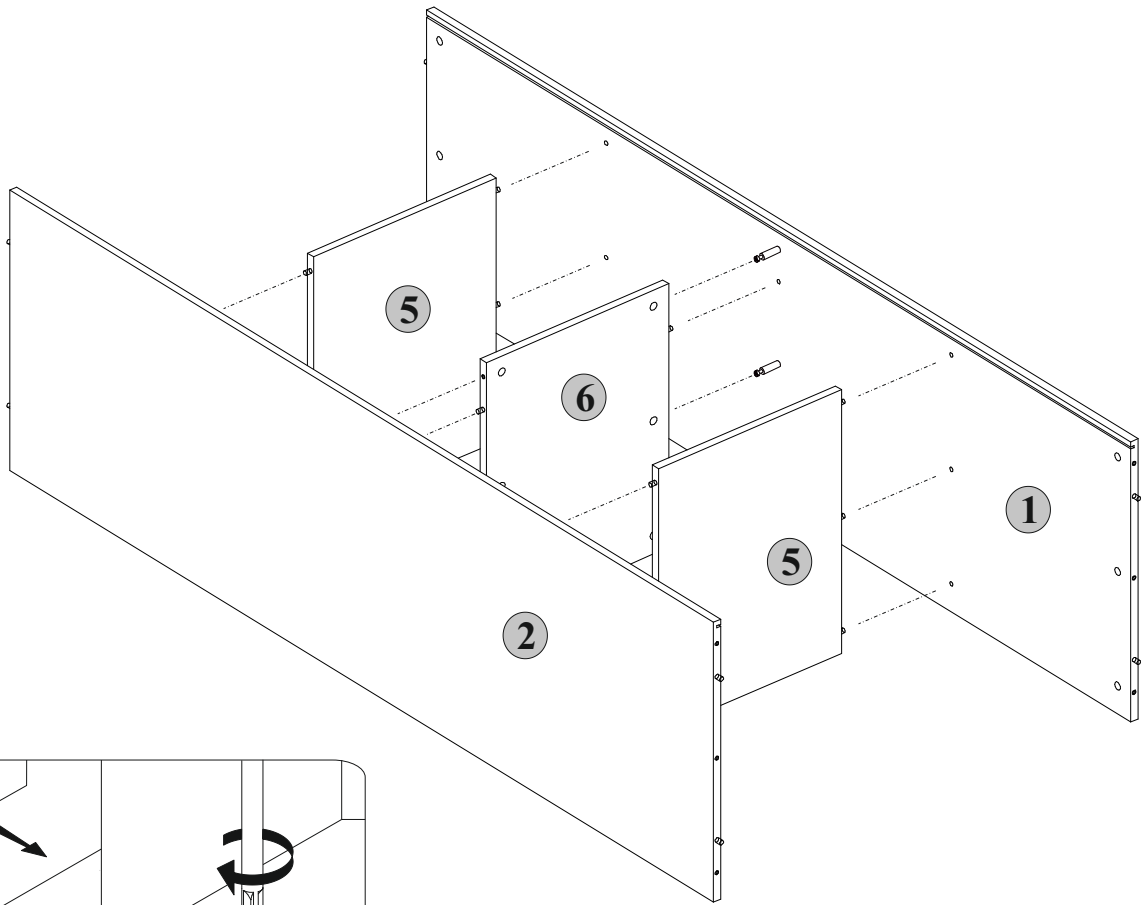


3

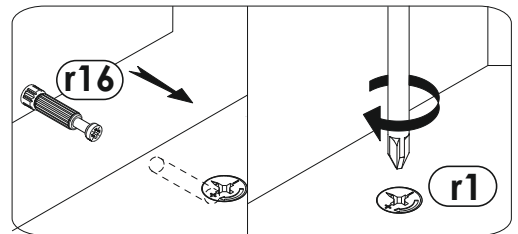
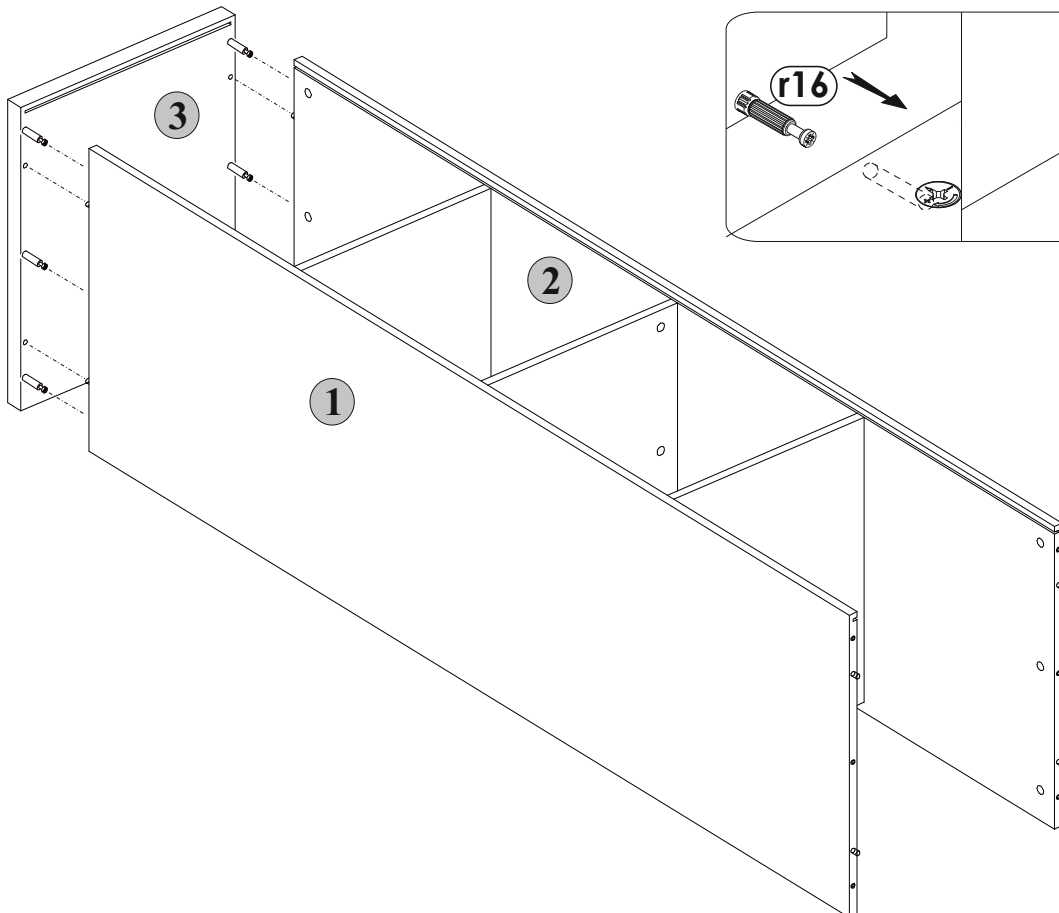


3

4

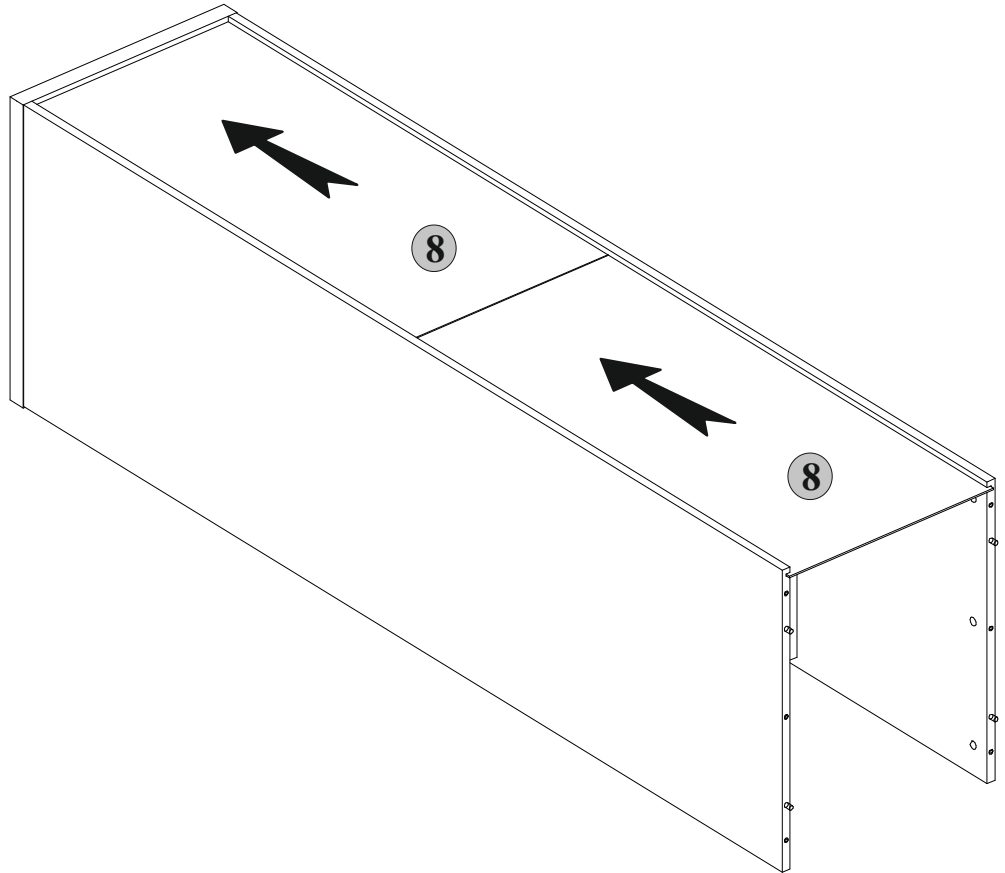


5

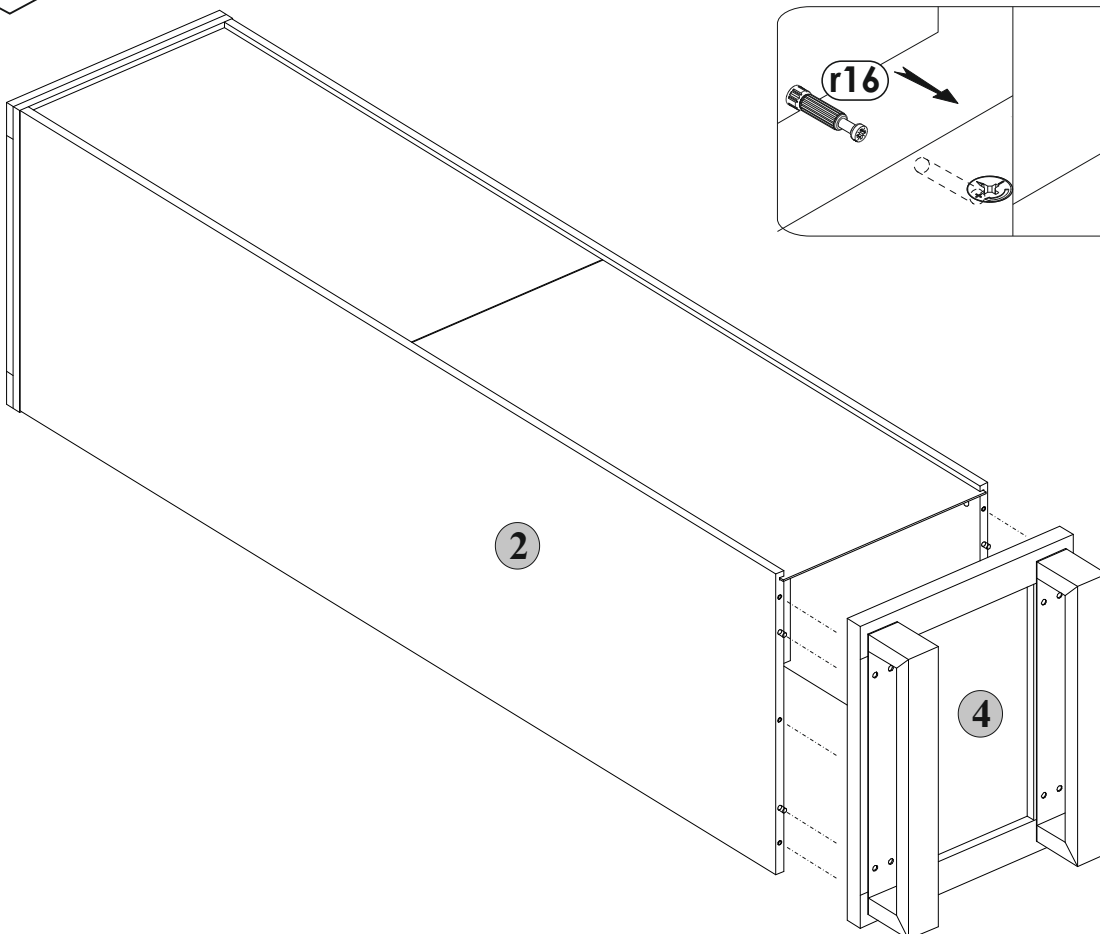


4

6

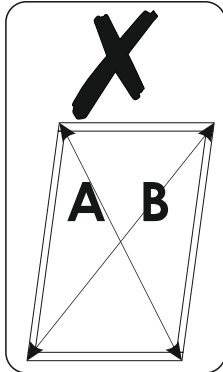
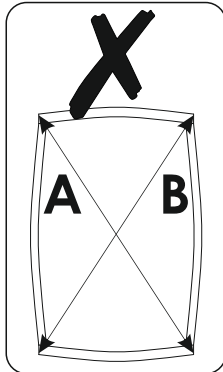
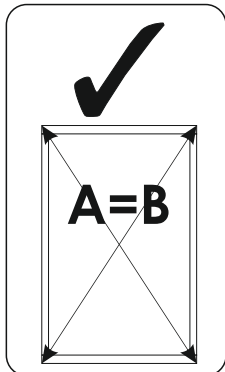
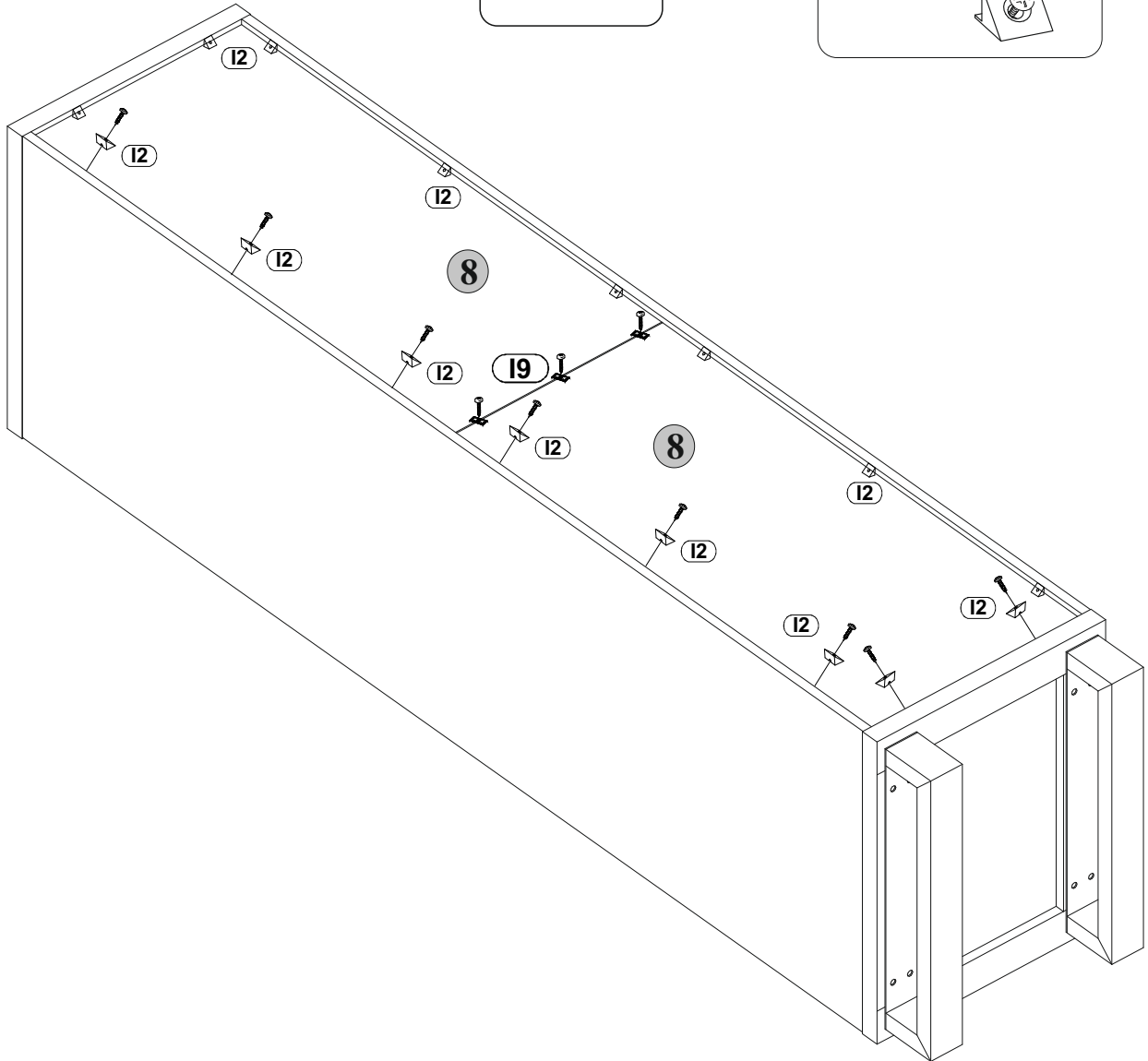
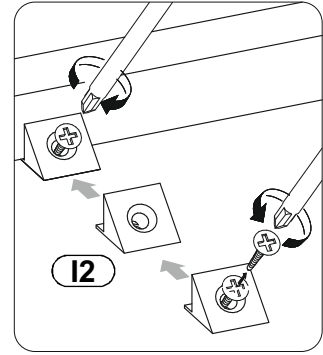
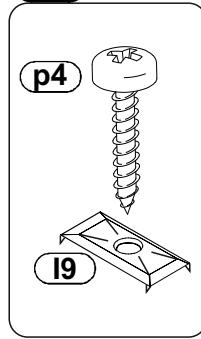


7



5

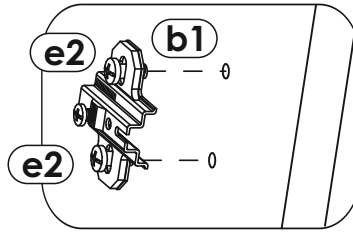
8



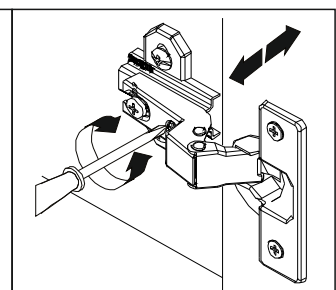
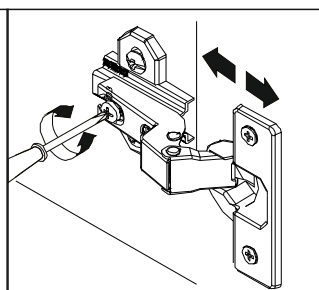
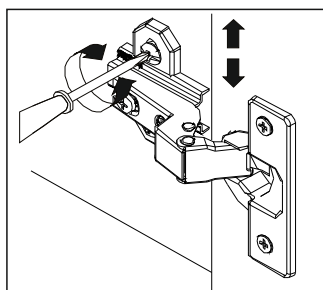
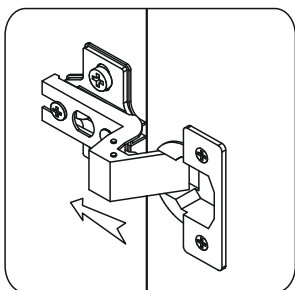
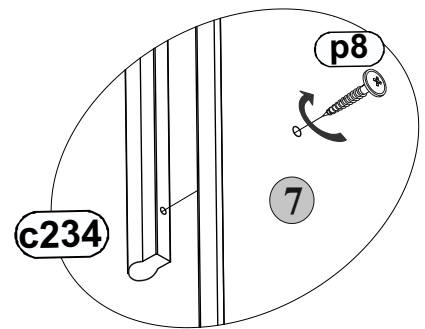
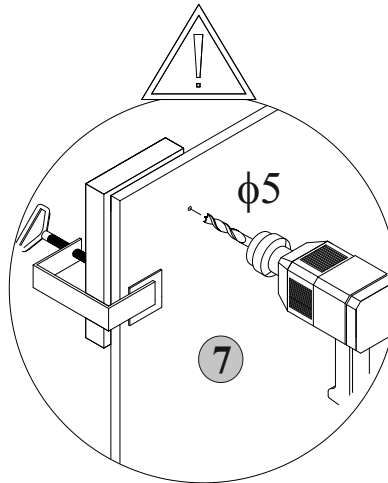
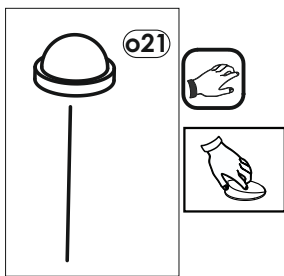
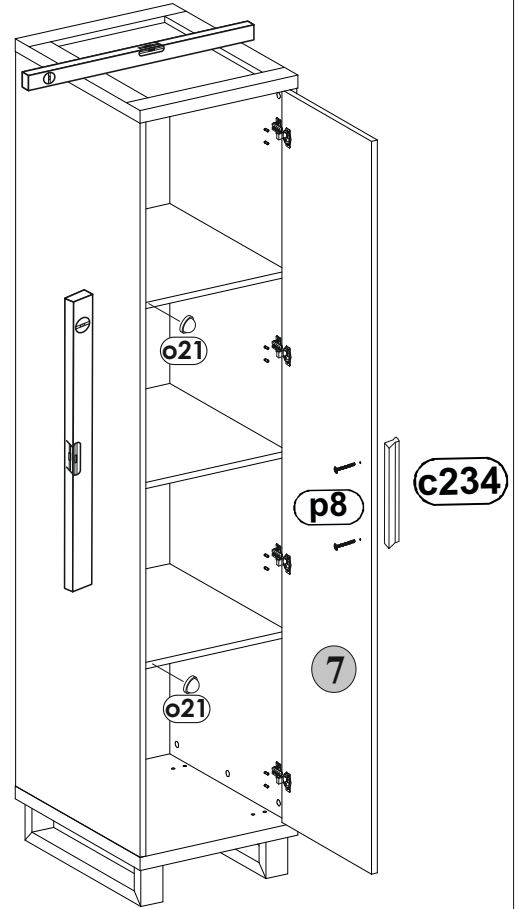
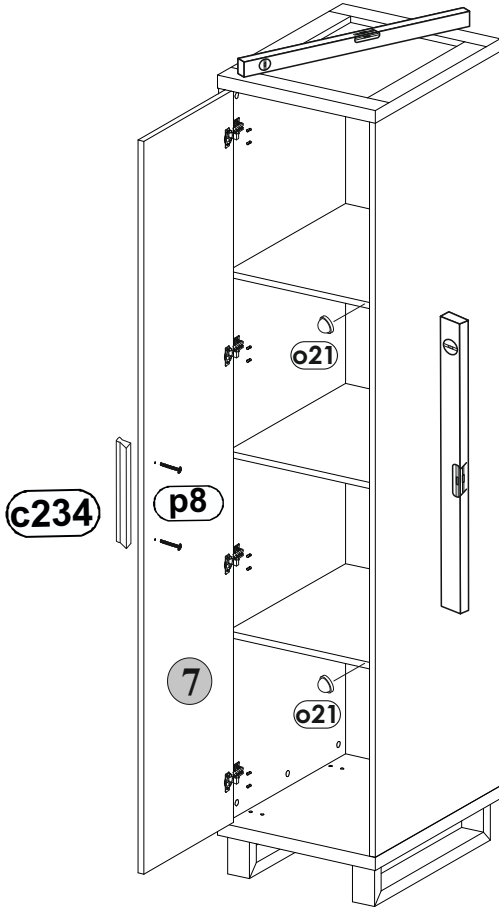
6

9

L



R



7