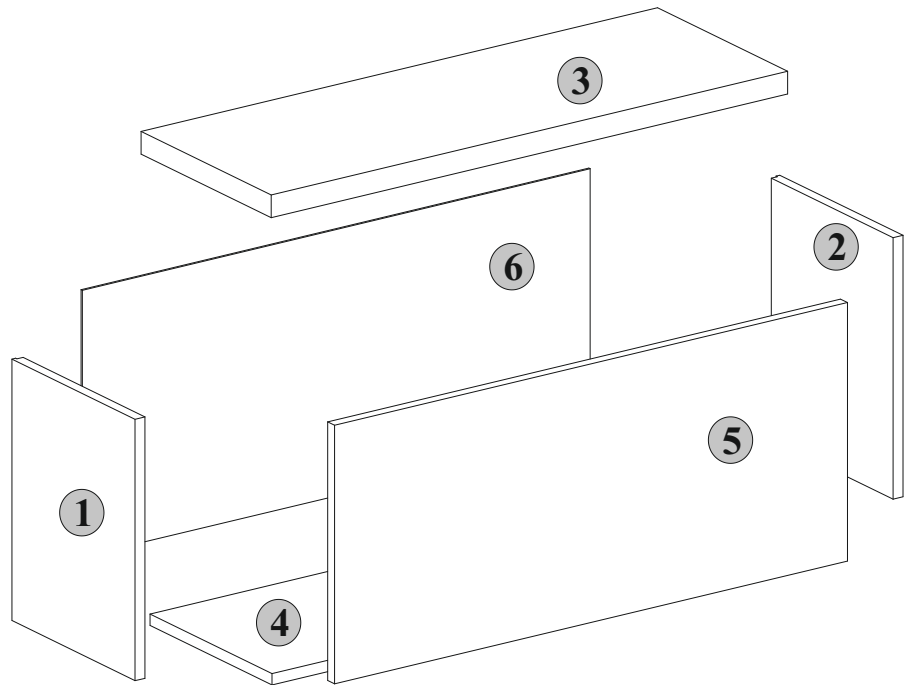
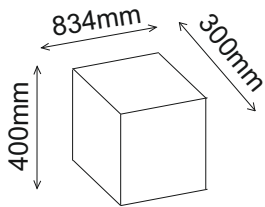
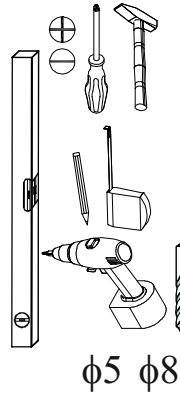
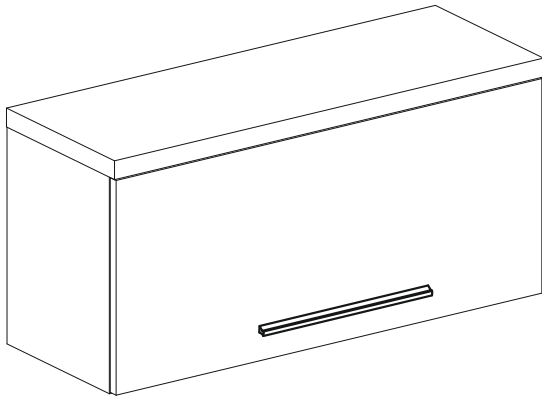


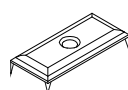

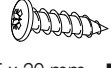


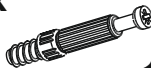
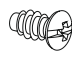



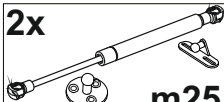

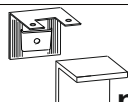
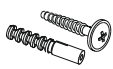
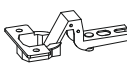


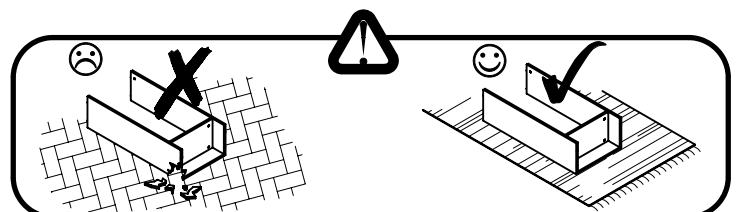
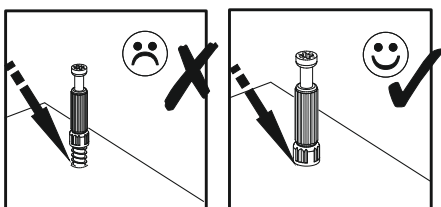
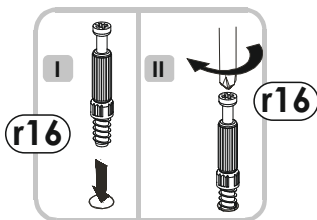
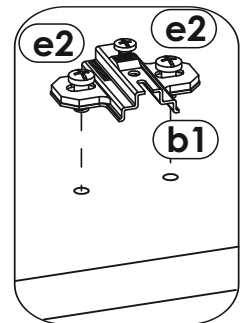
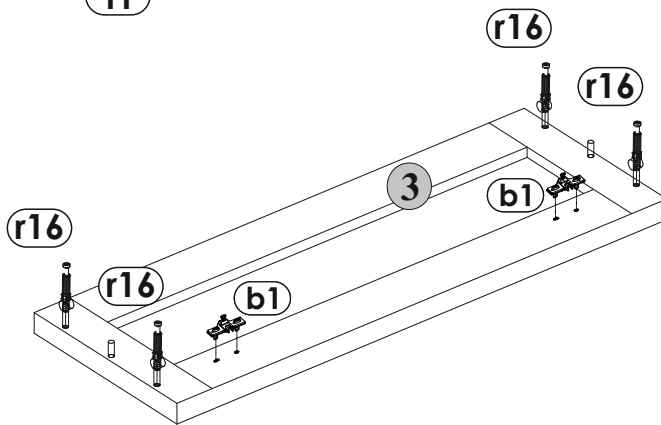
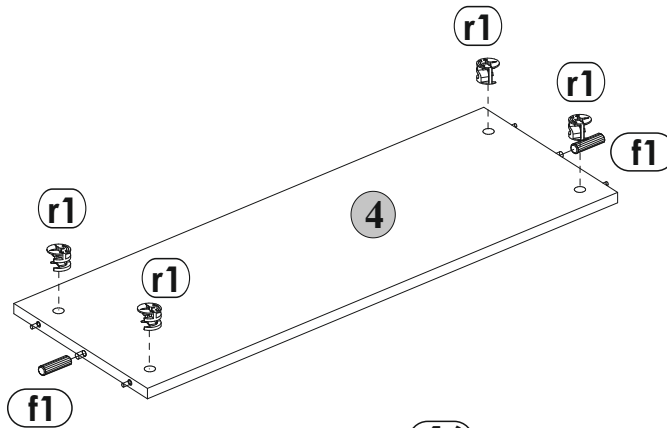
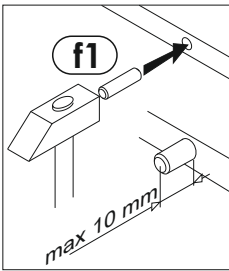
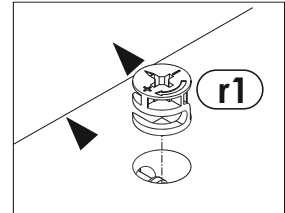
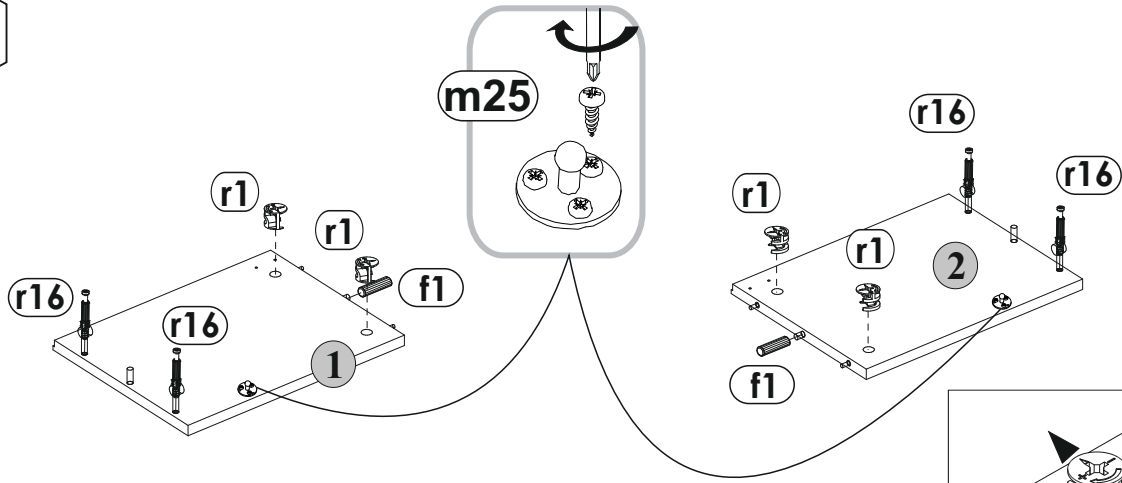


number	Measurements	Pcs.
1	368x284	1
2	368x284	1
3	834x300	1
4	800x281	1
5	828x364	1
6	375x820	1



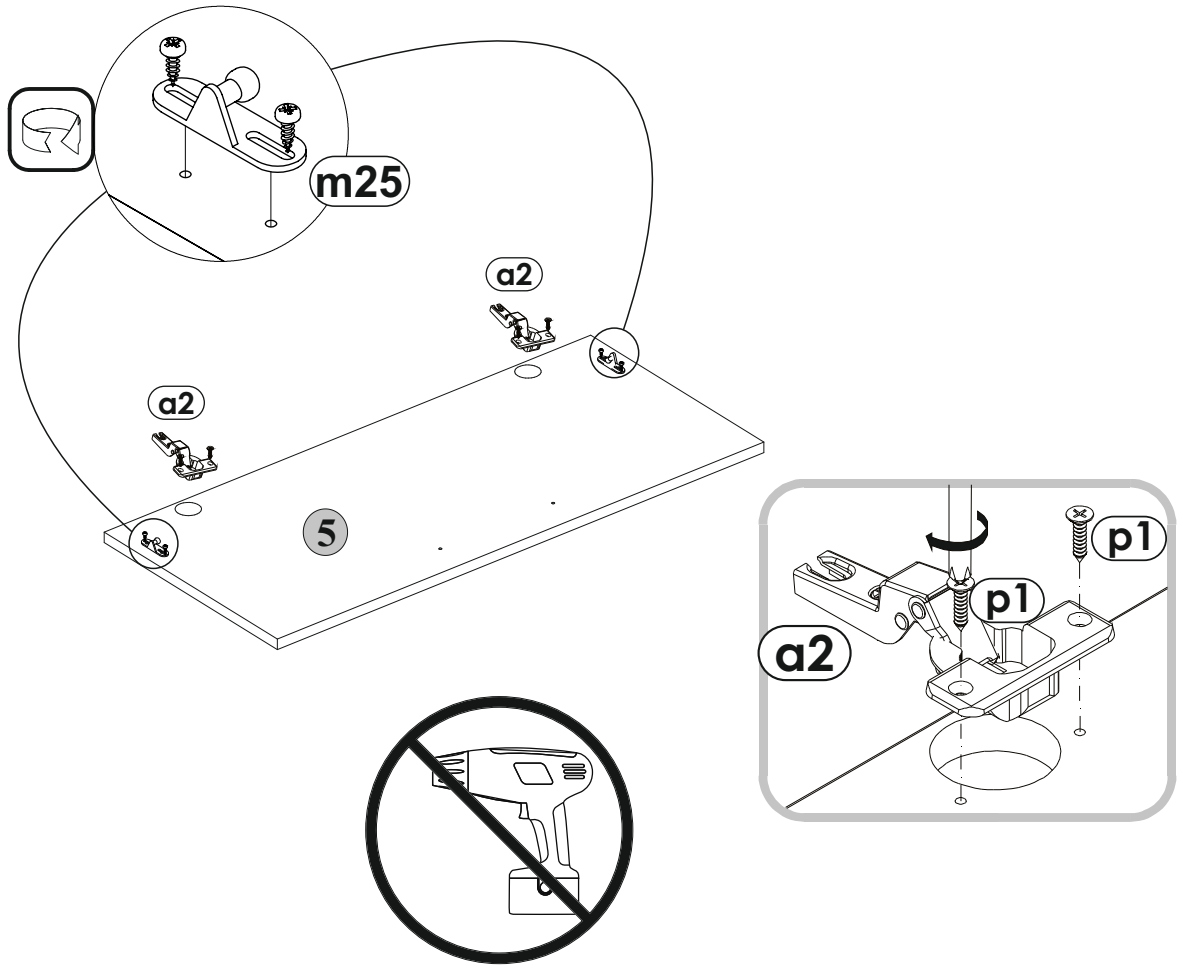
8x  φ15 #16 r1	8x  s2	2x  i9	1x  c234	2x  3.5 x 20 mm p4	2x  o21
2x  φ3.5x25 mm p8	8x  r16	4x  φ6.3x13 mm e2	50x  l1	2x  b1	12x  φ3.5x13 mm p1
2x  m25	4x  φ8x30 mm f1	2x  n31	2x  t17	2x  a1	1

I

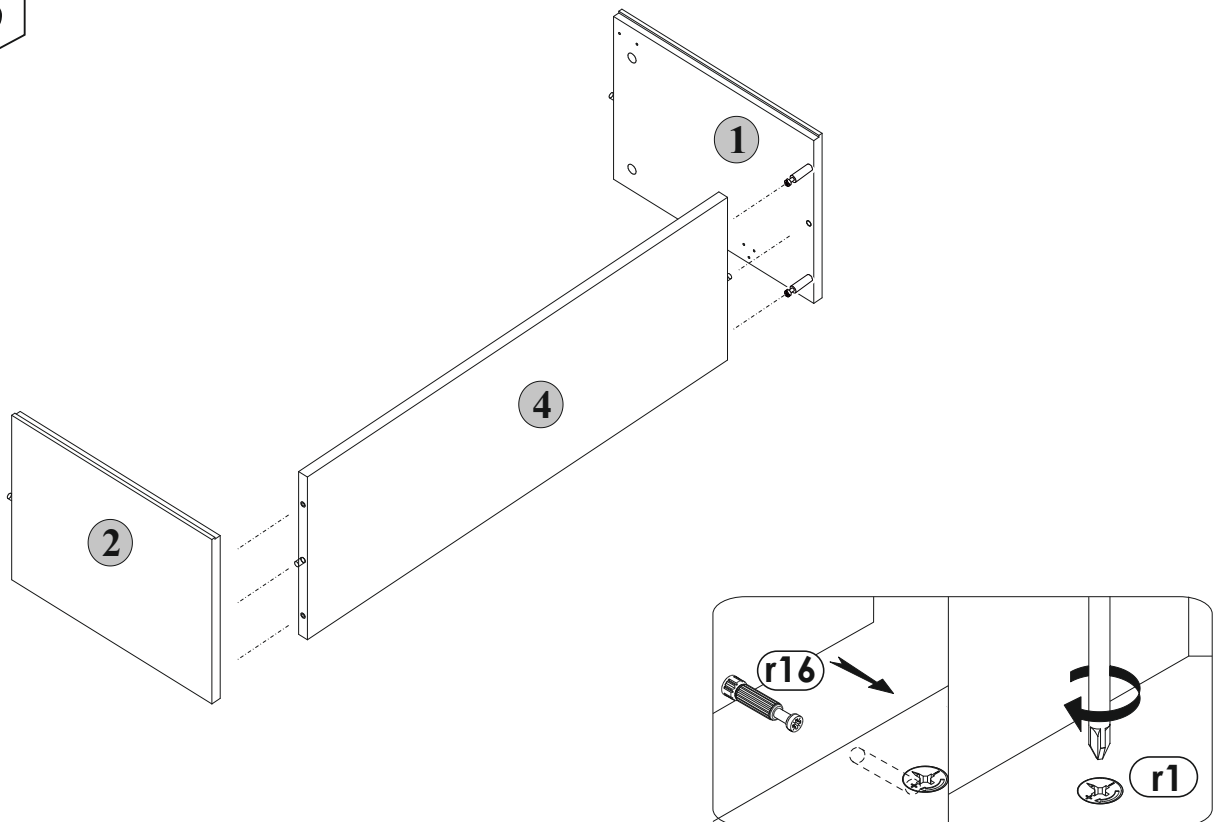


2

2

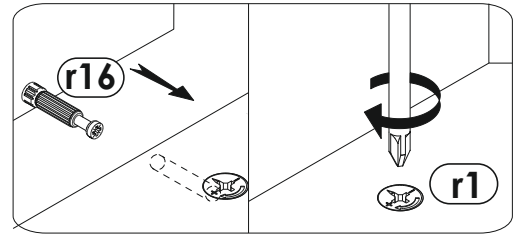
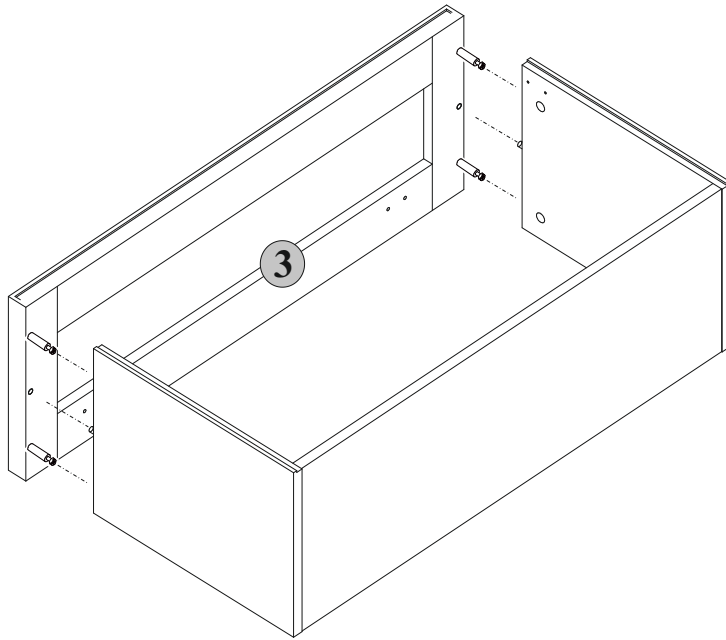


3

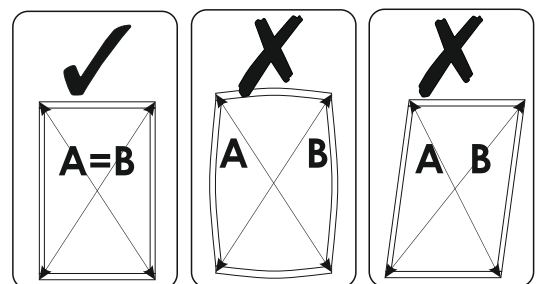
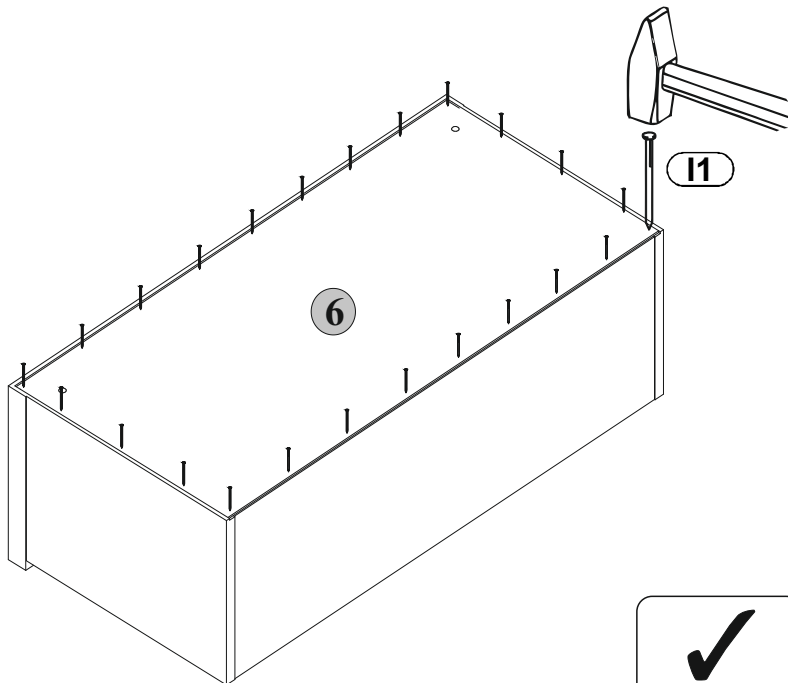


3

4

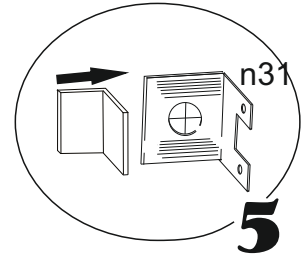
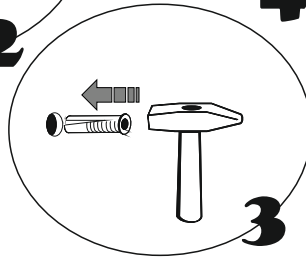
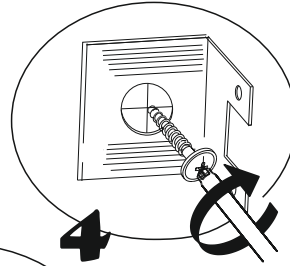
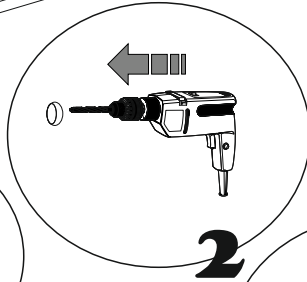
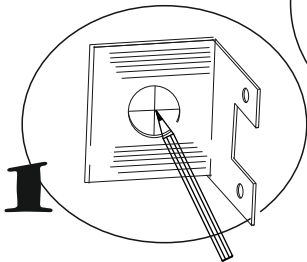
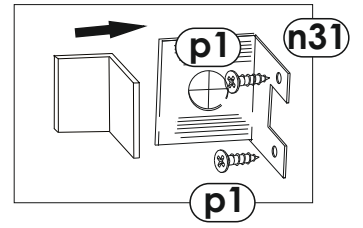
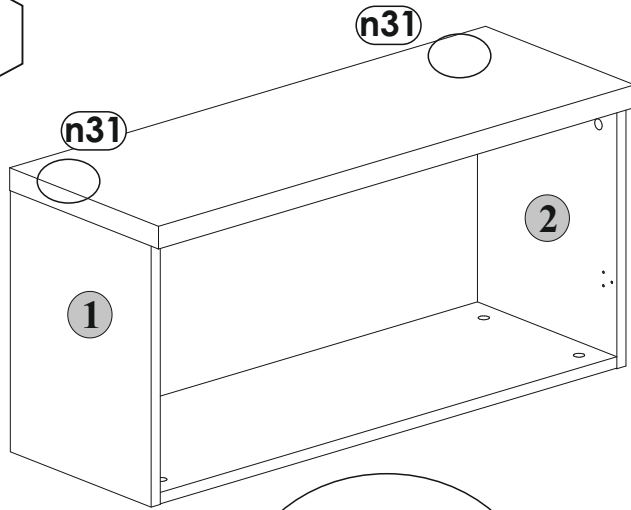


5

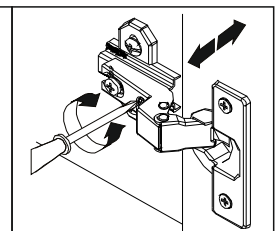
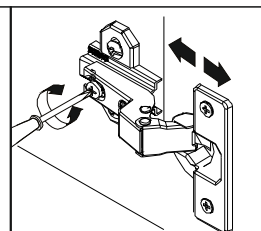
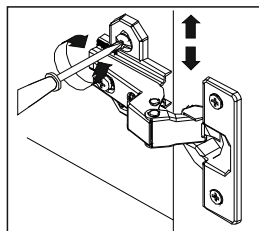
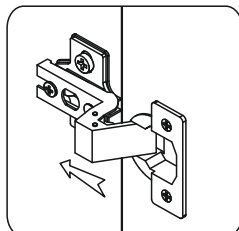
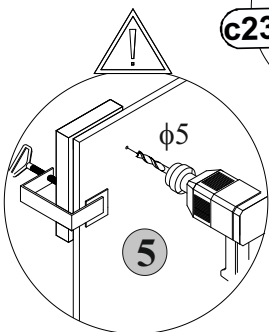
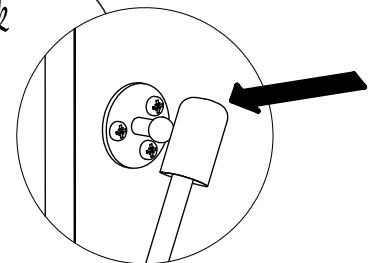
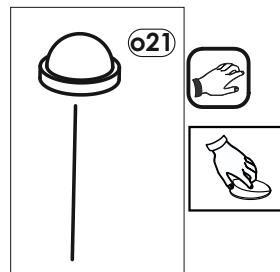
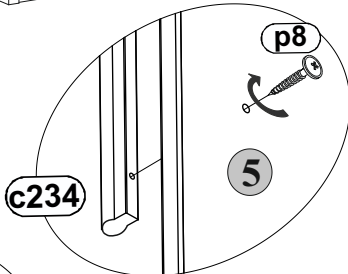
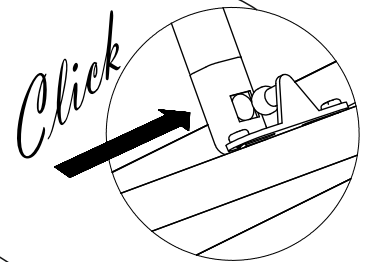
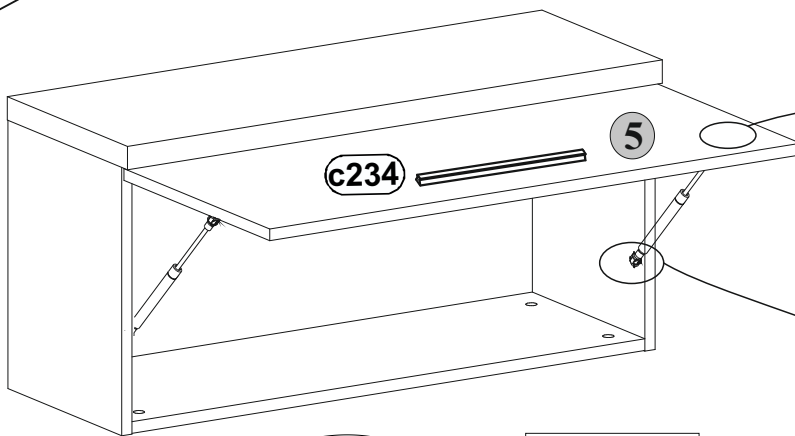


4

6



7



5