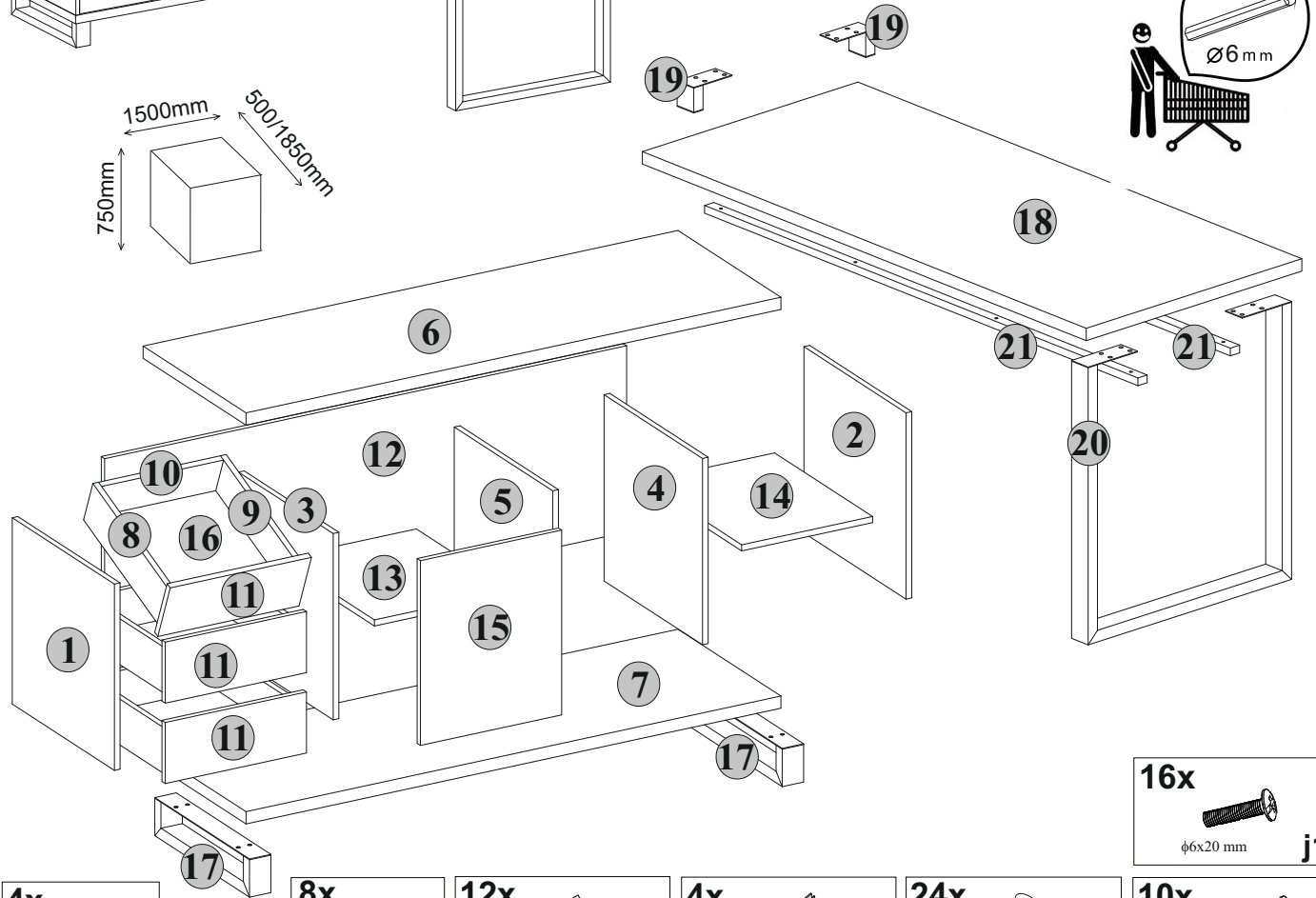
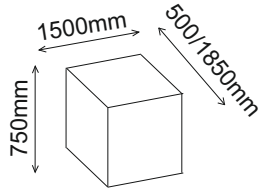
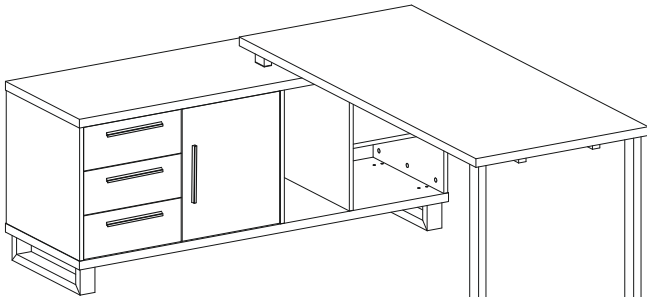


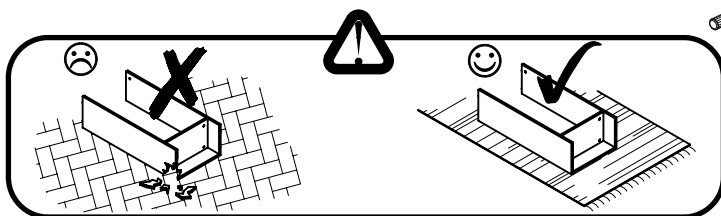
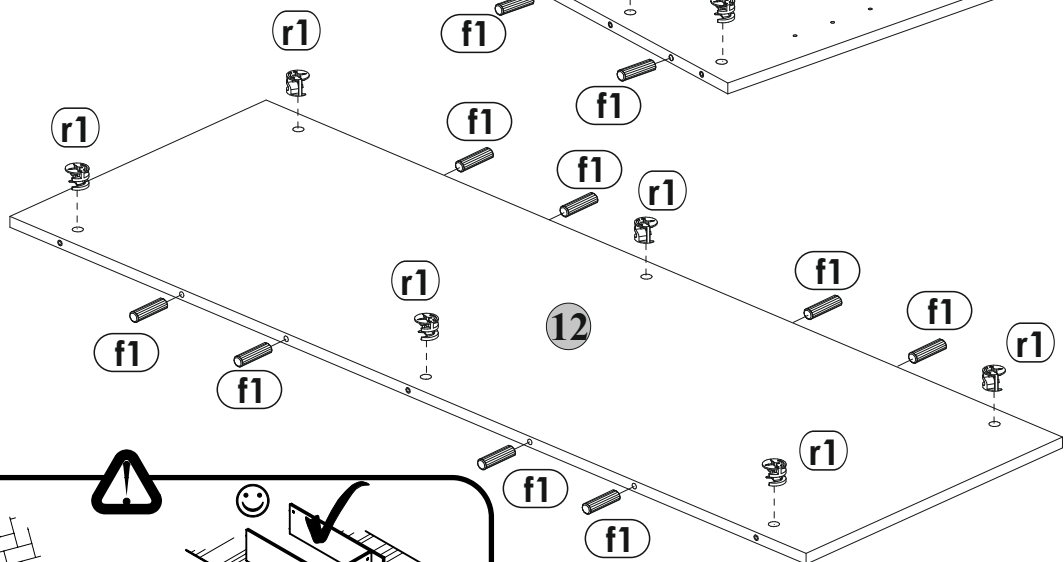
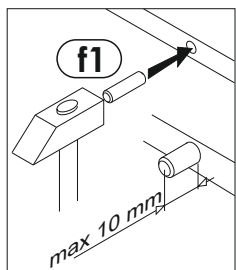
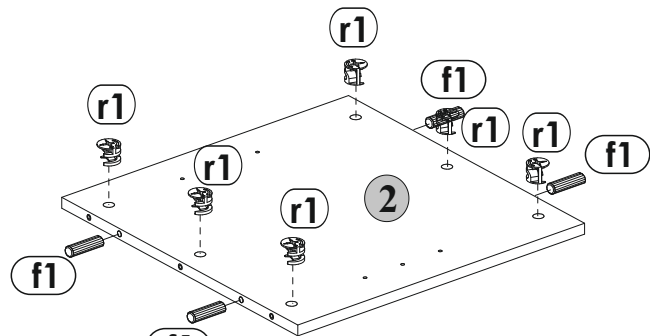
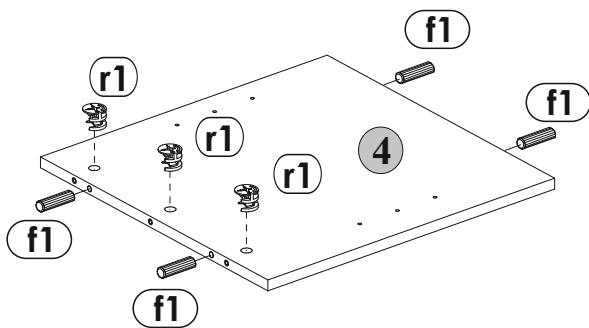
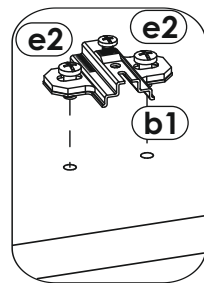
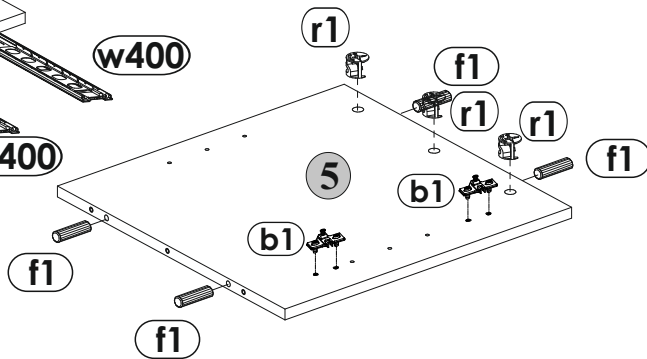
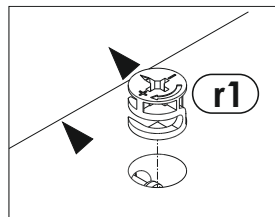
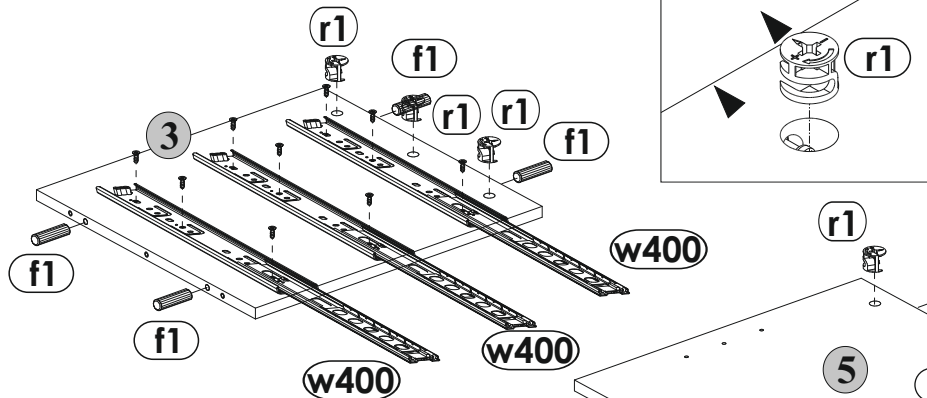
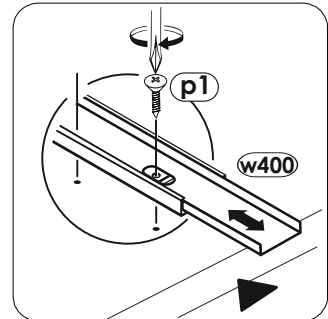
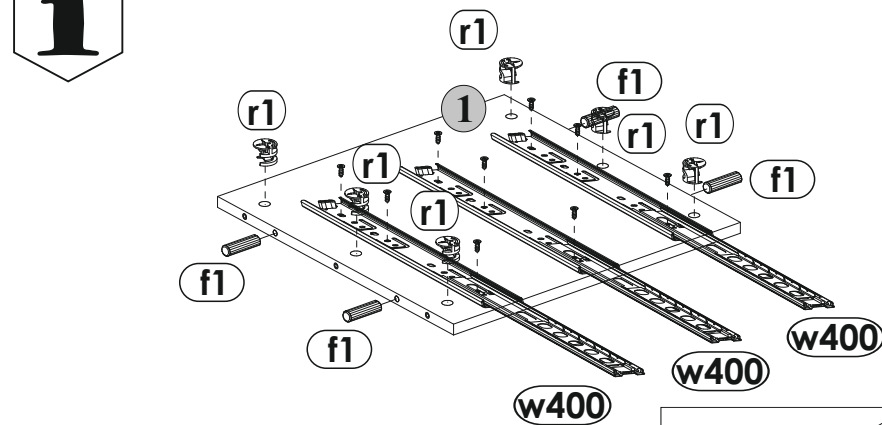
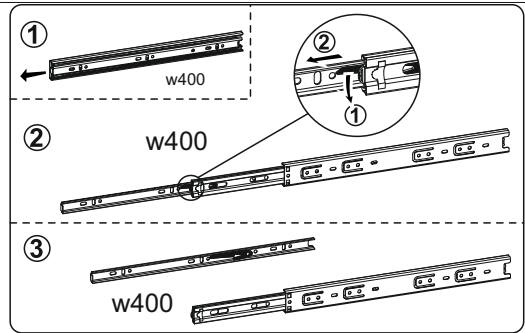
number	Measurements	Pcs.
1	488x496	1
2	488x496	1
3	488x460	1
4	488x478	1
5	488x478	1
6	1500x500	1
7	1500x500	1
8	400x120	3
9	400x120	3
10	342x120	3
11	394x160	3

12	488x1464	3
13	383x460	1
14	367x476	1
15	484x396	1
16	352x394	3
17	460x100x60	2
18	1600x700	1
19	124x66x60	2
20	660x715x60	1
21	1562x30x20	2

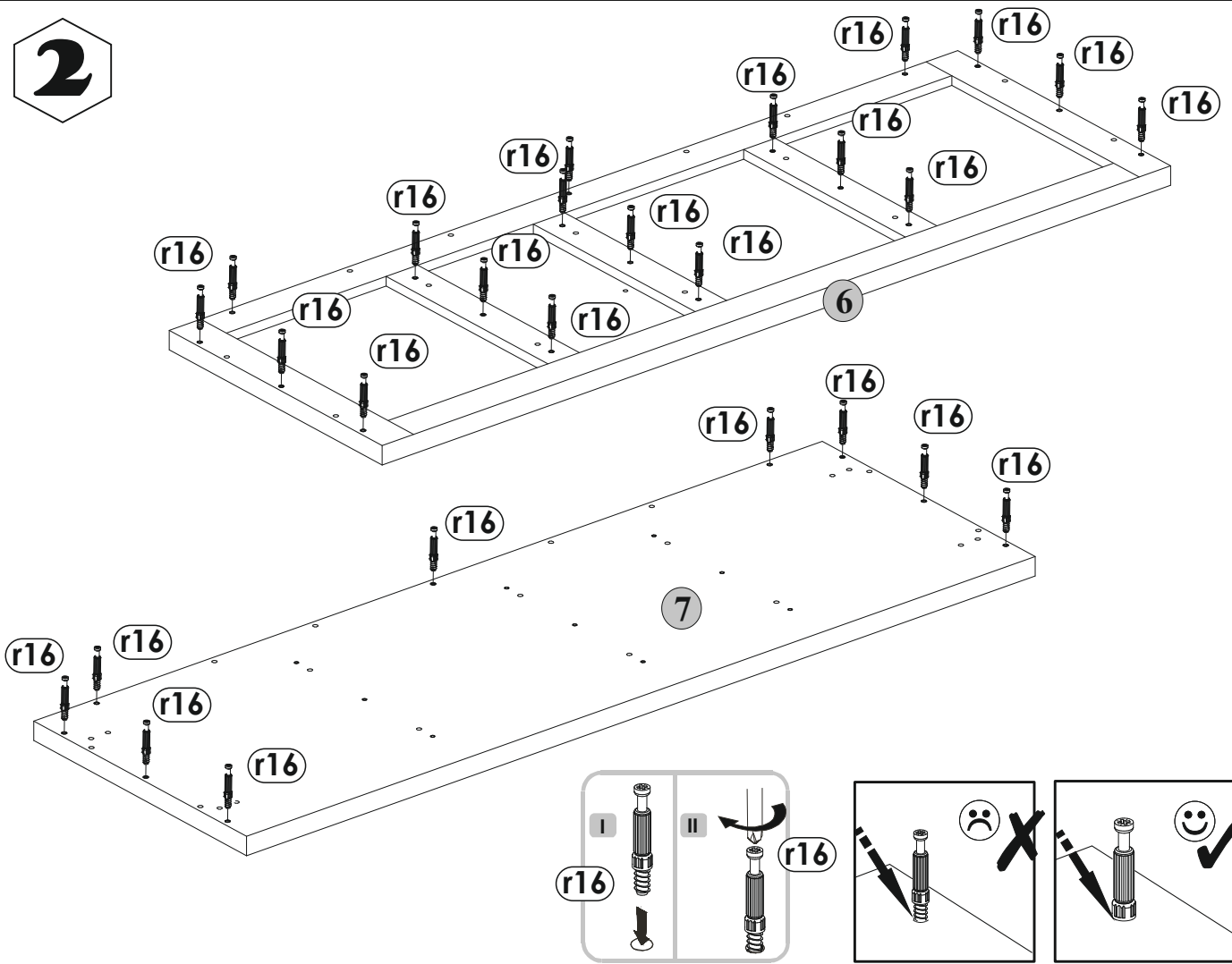


4x 	8x 	12x 	4x 	24x 	16x  φ6x20 mm
39x  φ15 #16	39x 	4x 	8x  φ6.3x13 mm	2x 	10x  φ6x30 mm
8x  φ3.5x25 mm	39x 	3x 	1x 	21x 	2x 
6x  φ24 mm	28x  φ8x30 mm	8x 	8x 	21x  7x50	40x  φ3.5x13 mm

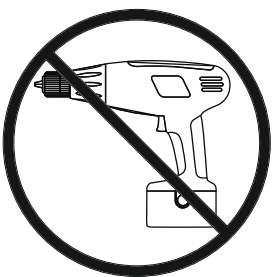
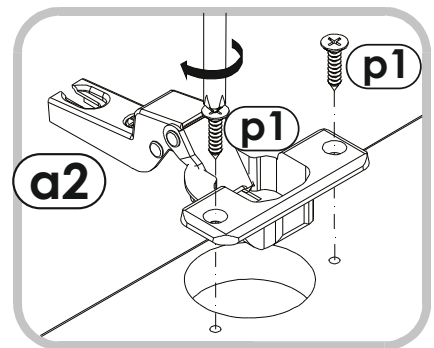
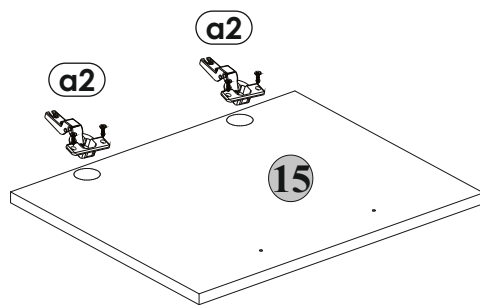
# I



2

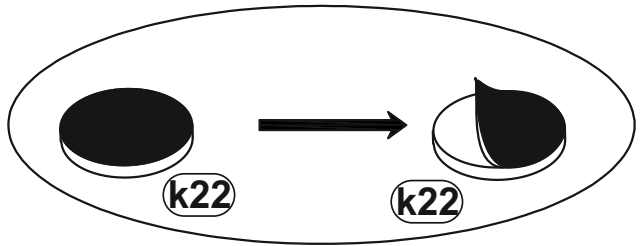
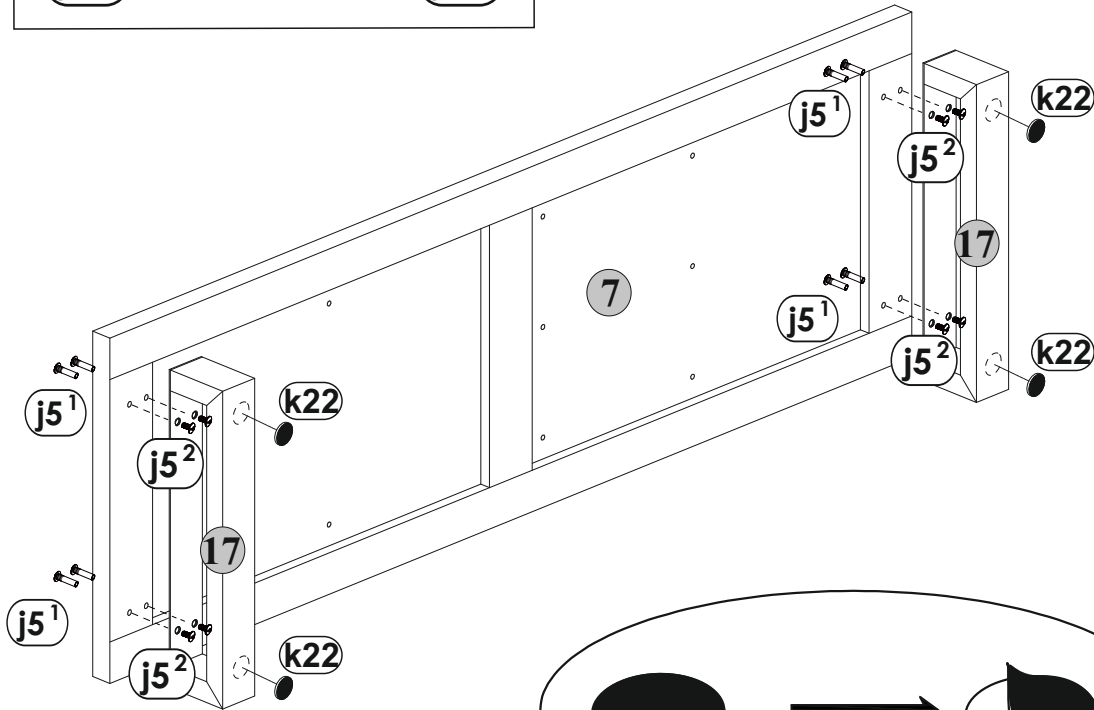
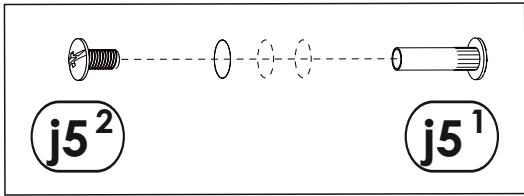


3

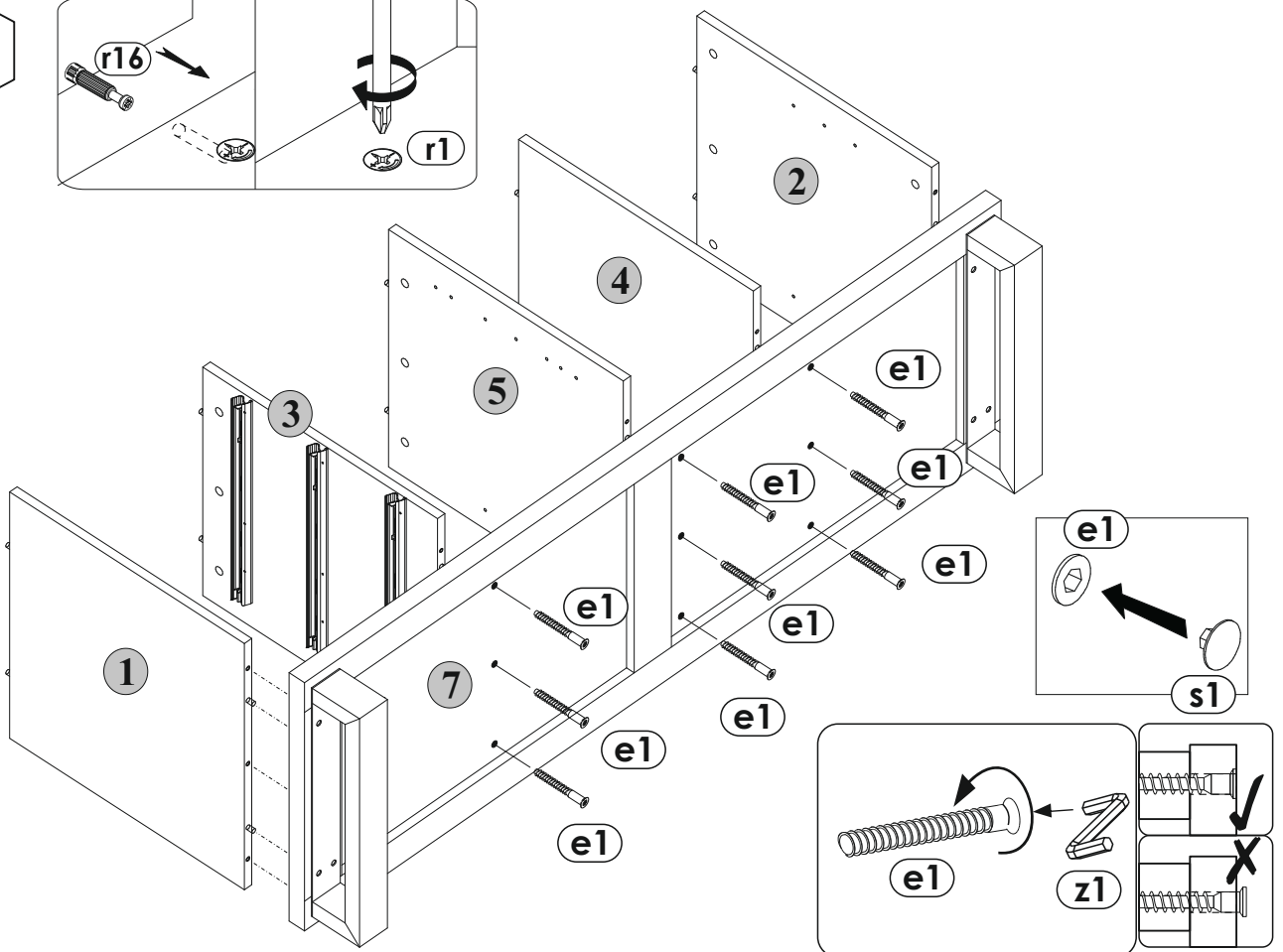
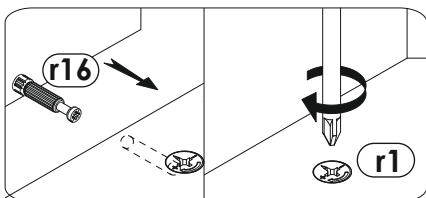


3

4



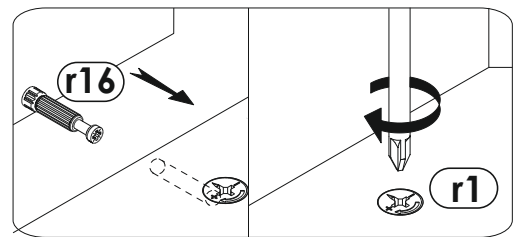
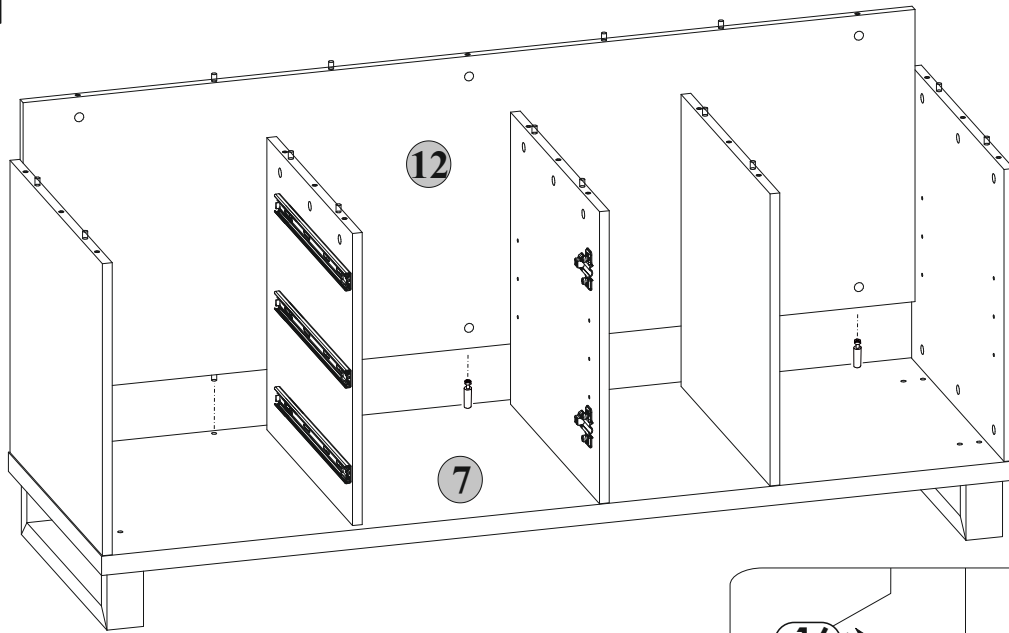
5



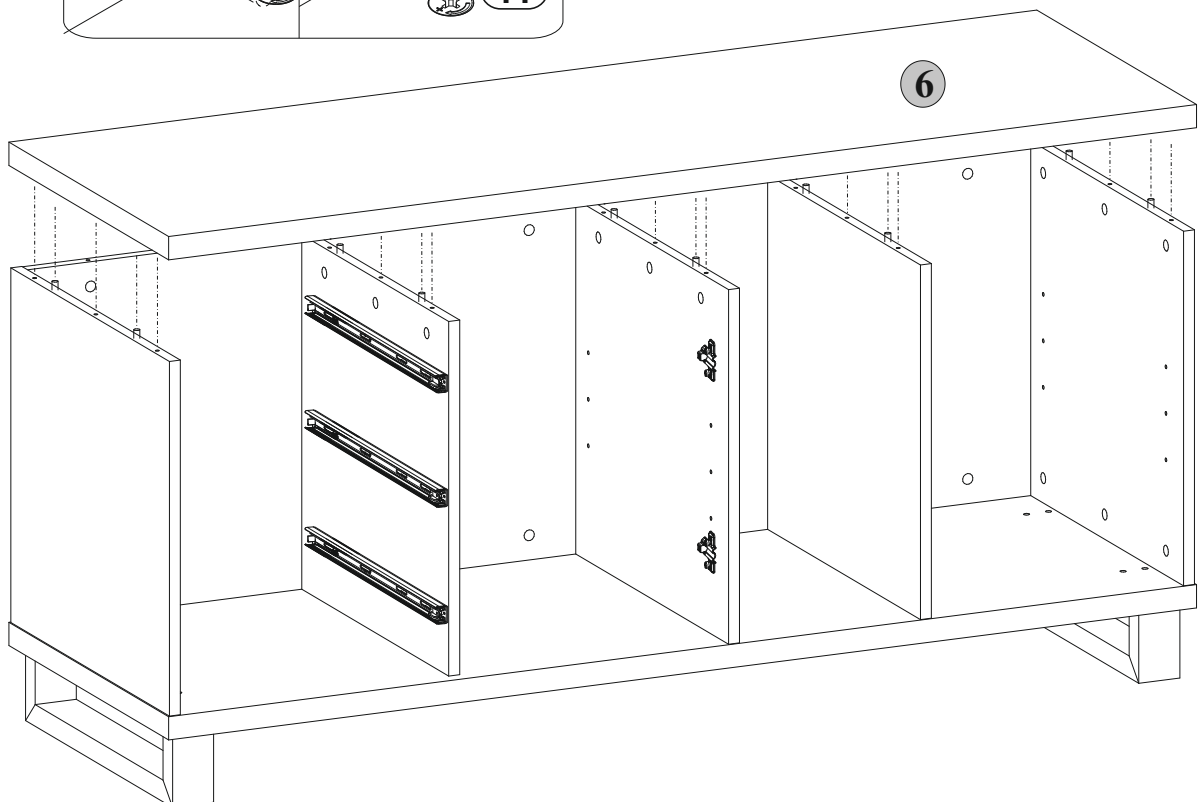
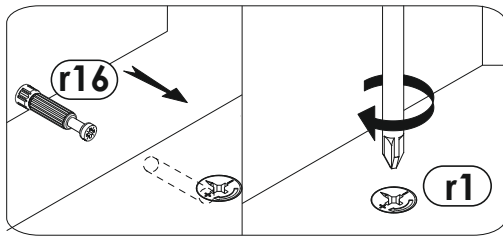
4



6

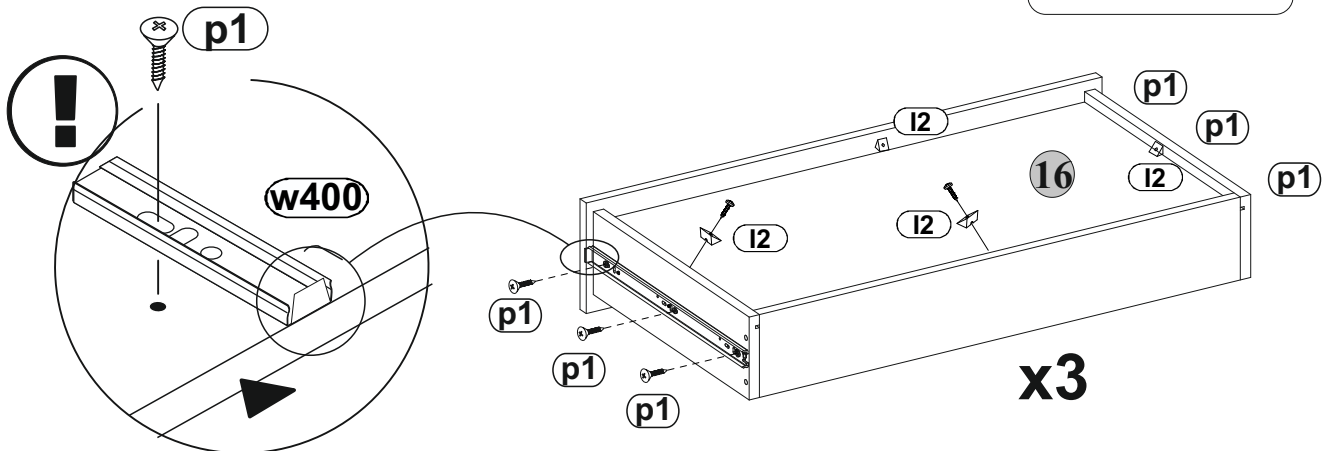
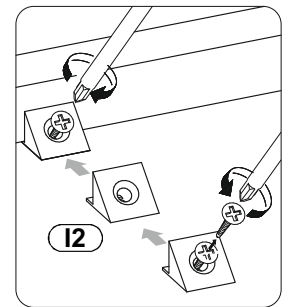
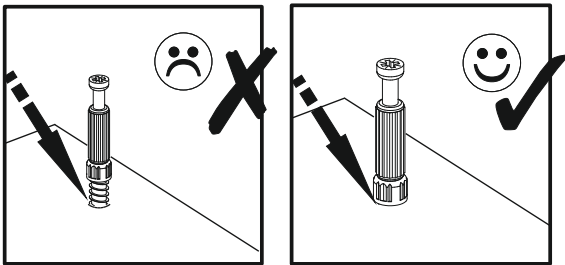
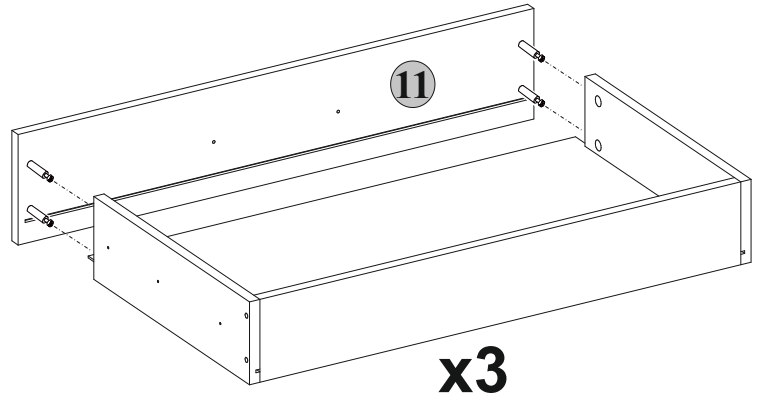
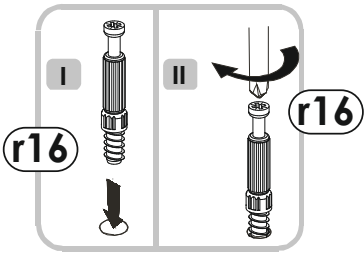
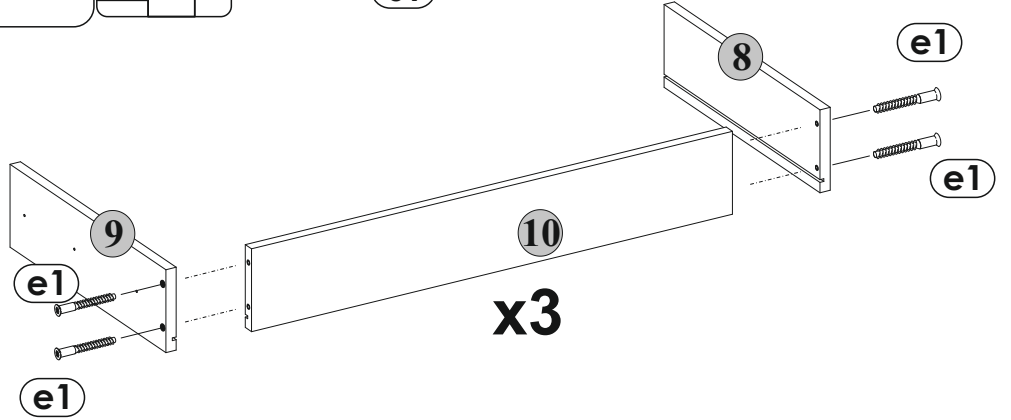
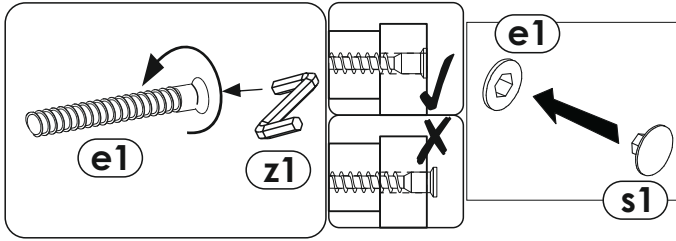


7



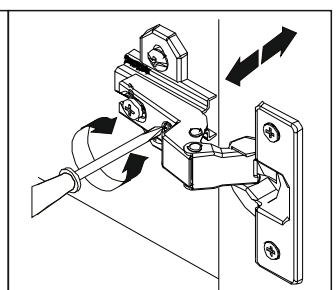
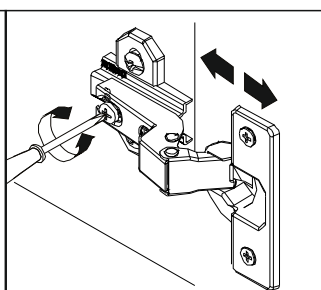
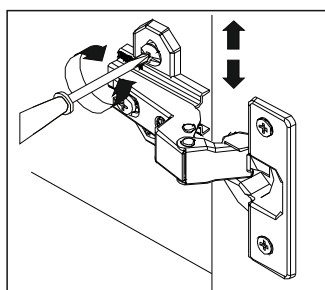
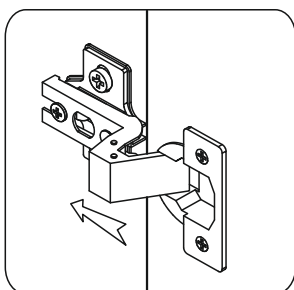
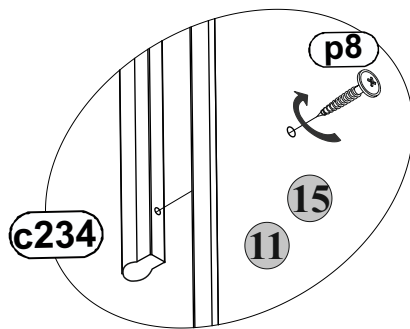
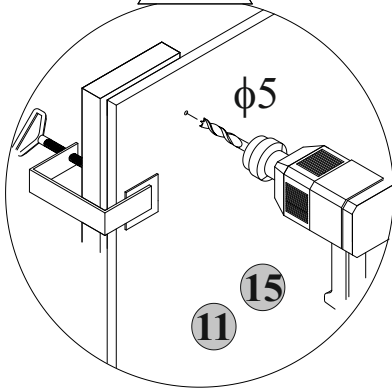
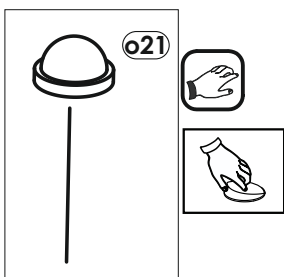
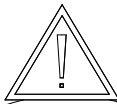
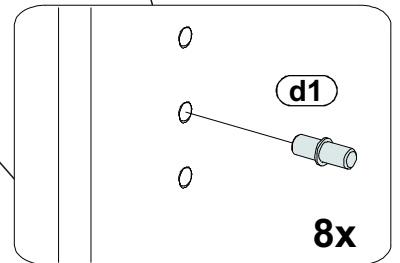
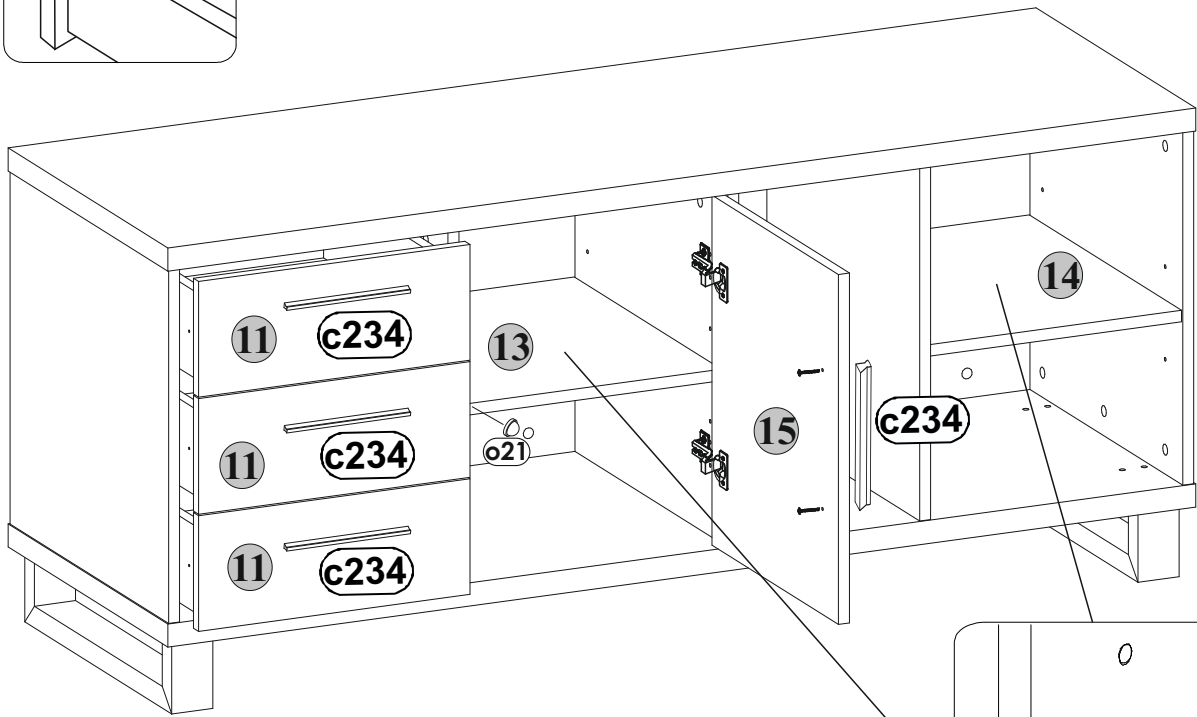
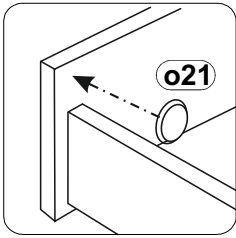
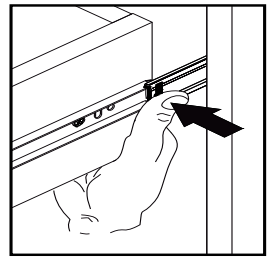
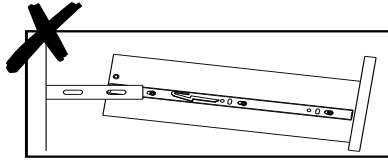
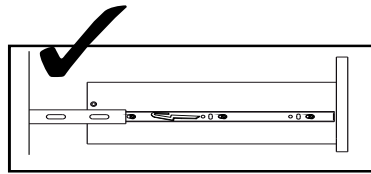
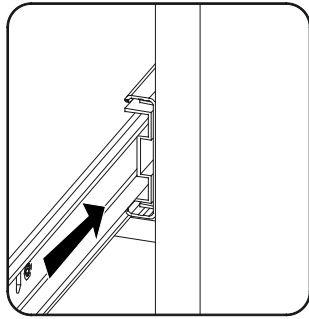
5

8



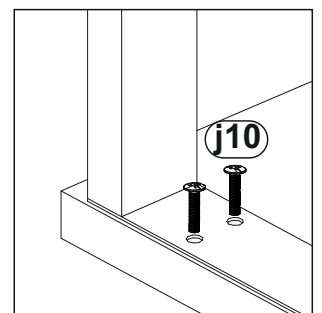
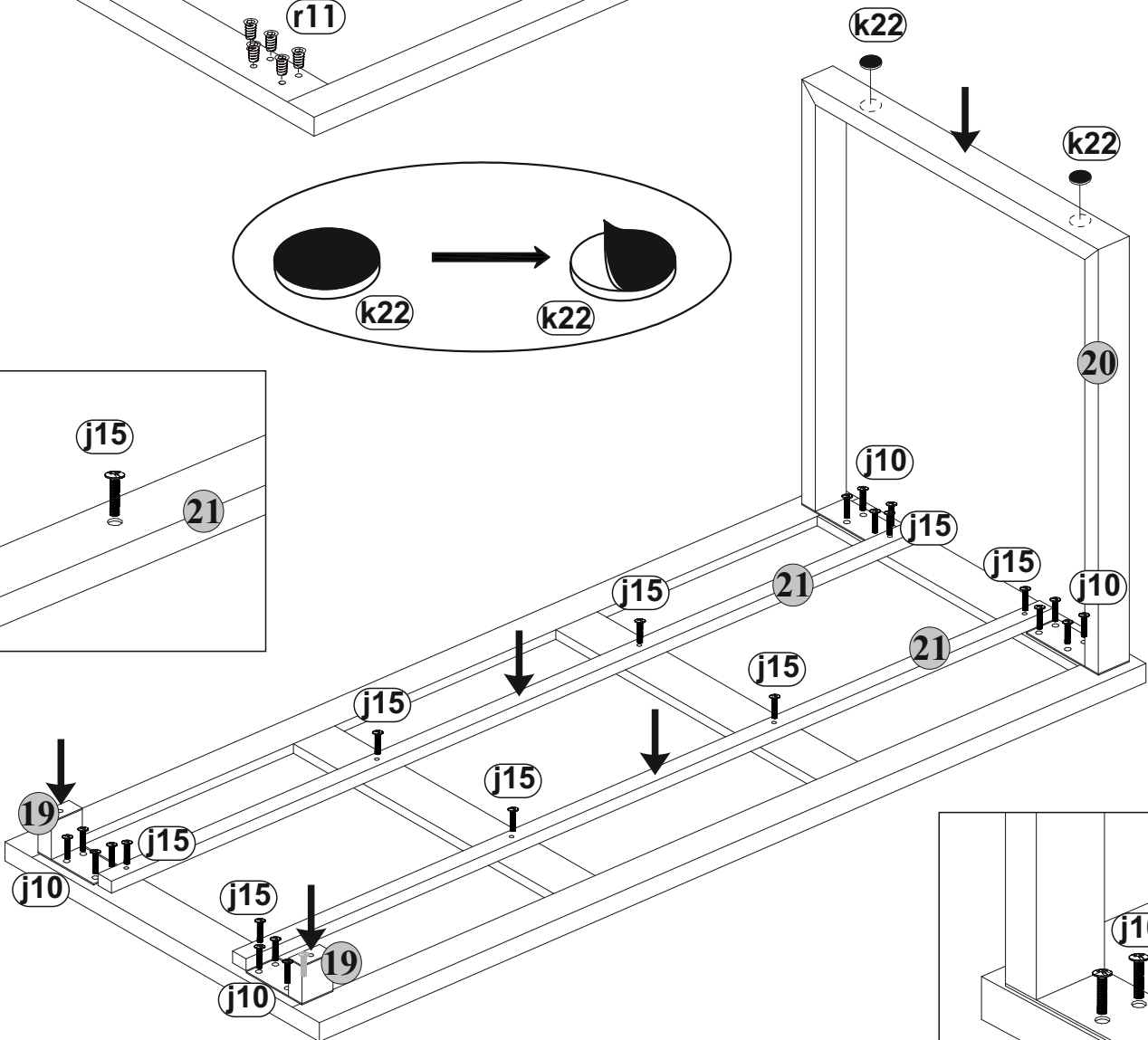
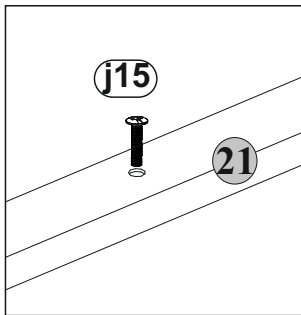
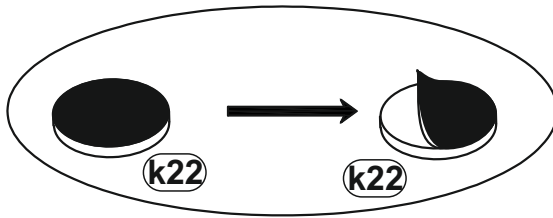
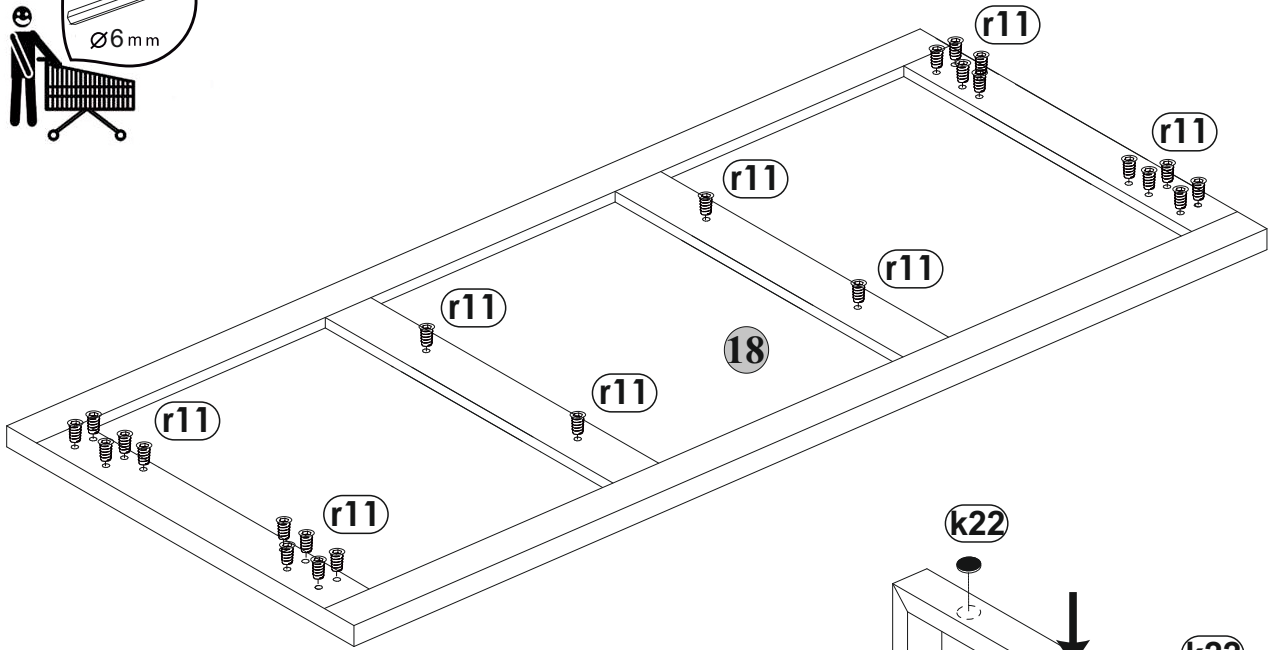
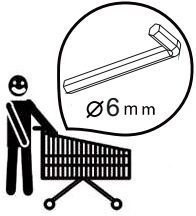
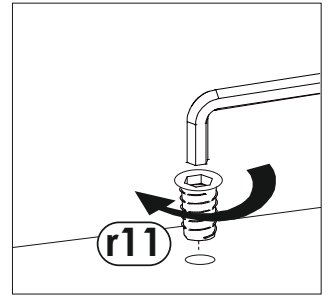
6

9



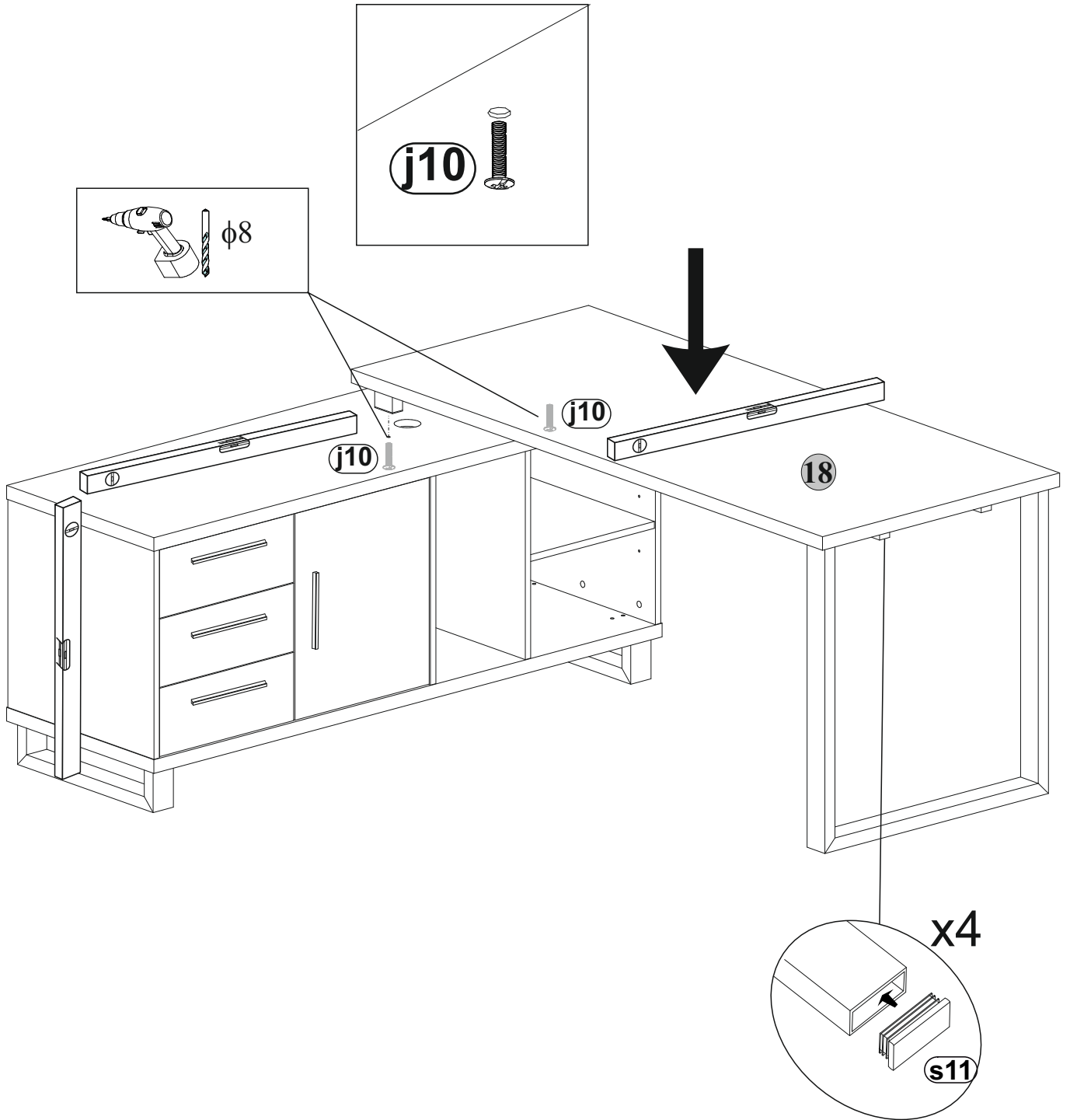
7

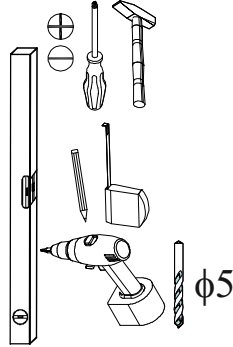
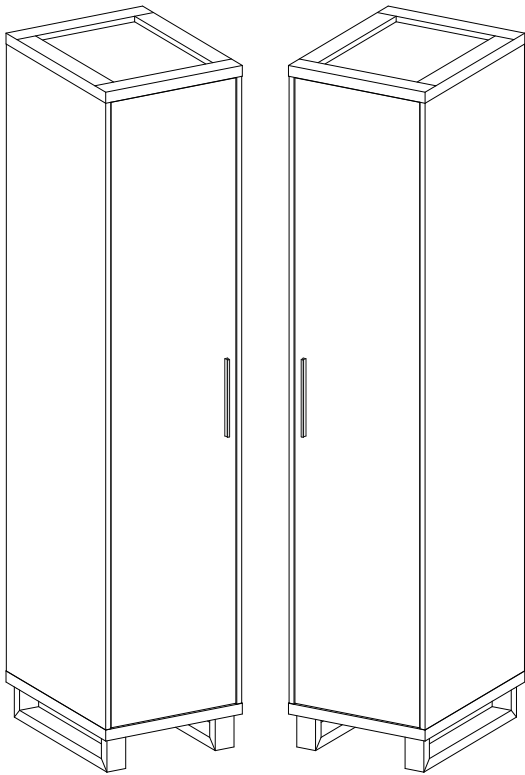
**10**



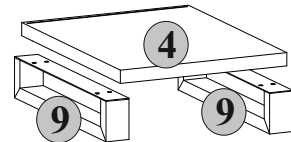
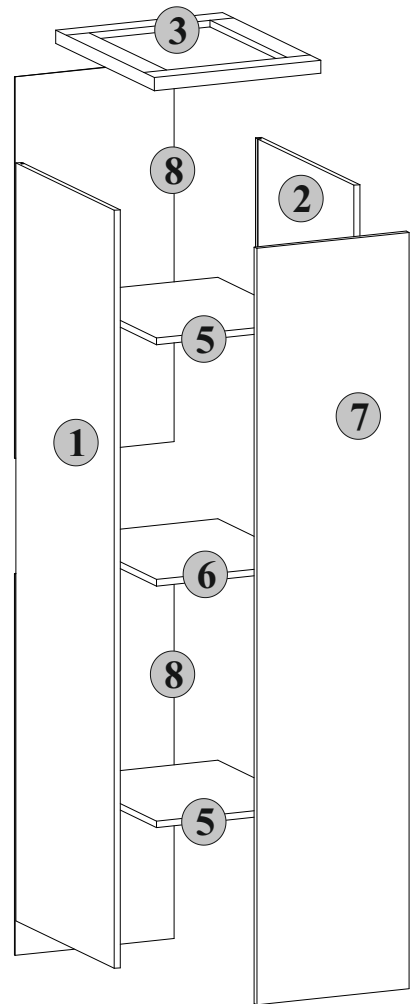
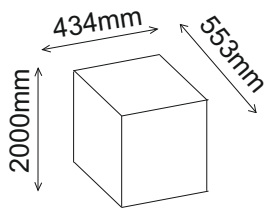
**8**

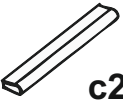
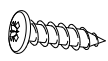


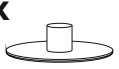
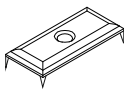

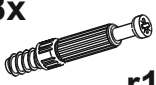
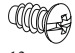

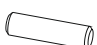






**11**



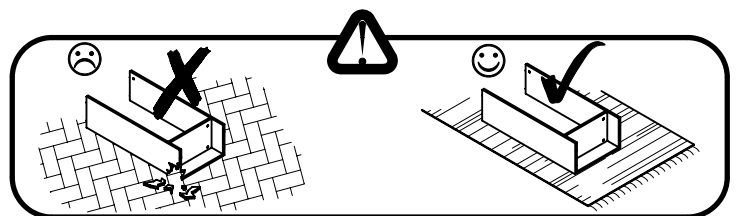
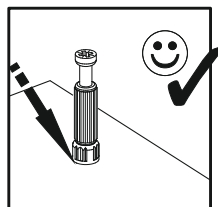
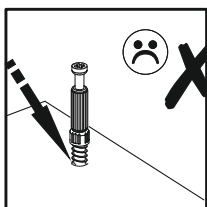
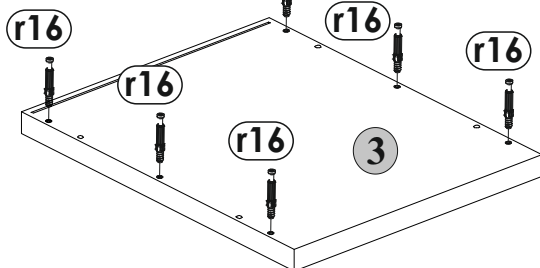
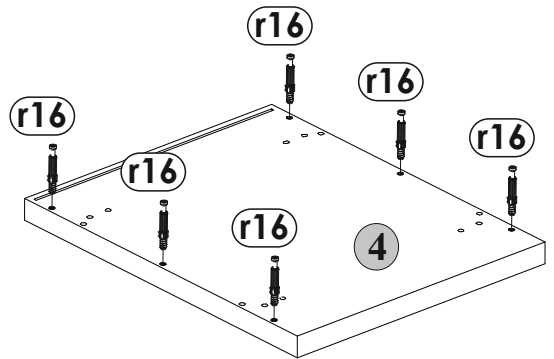
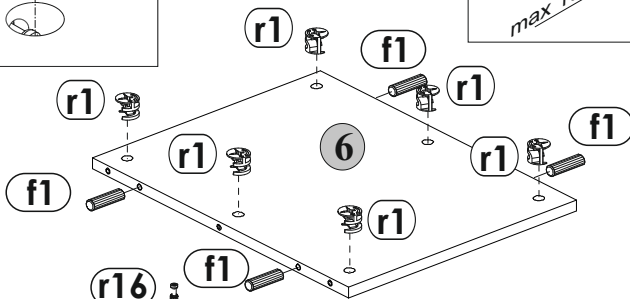
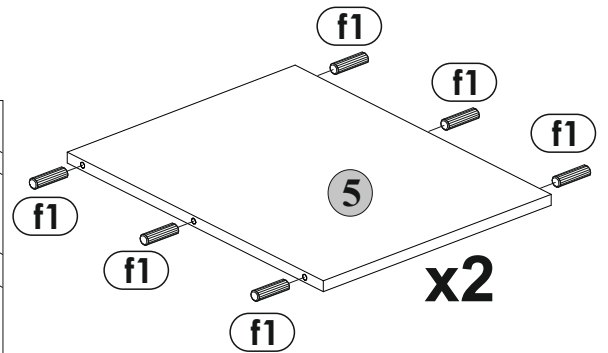
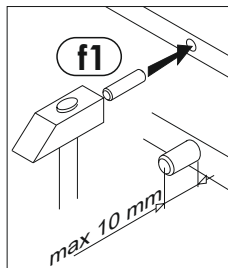
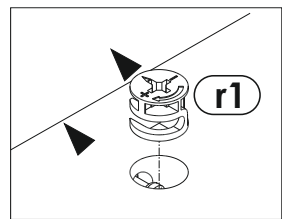
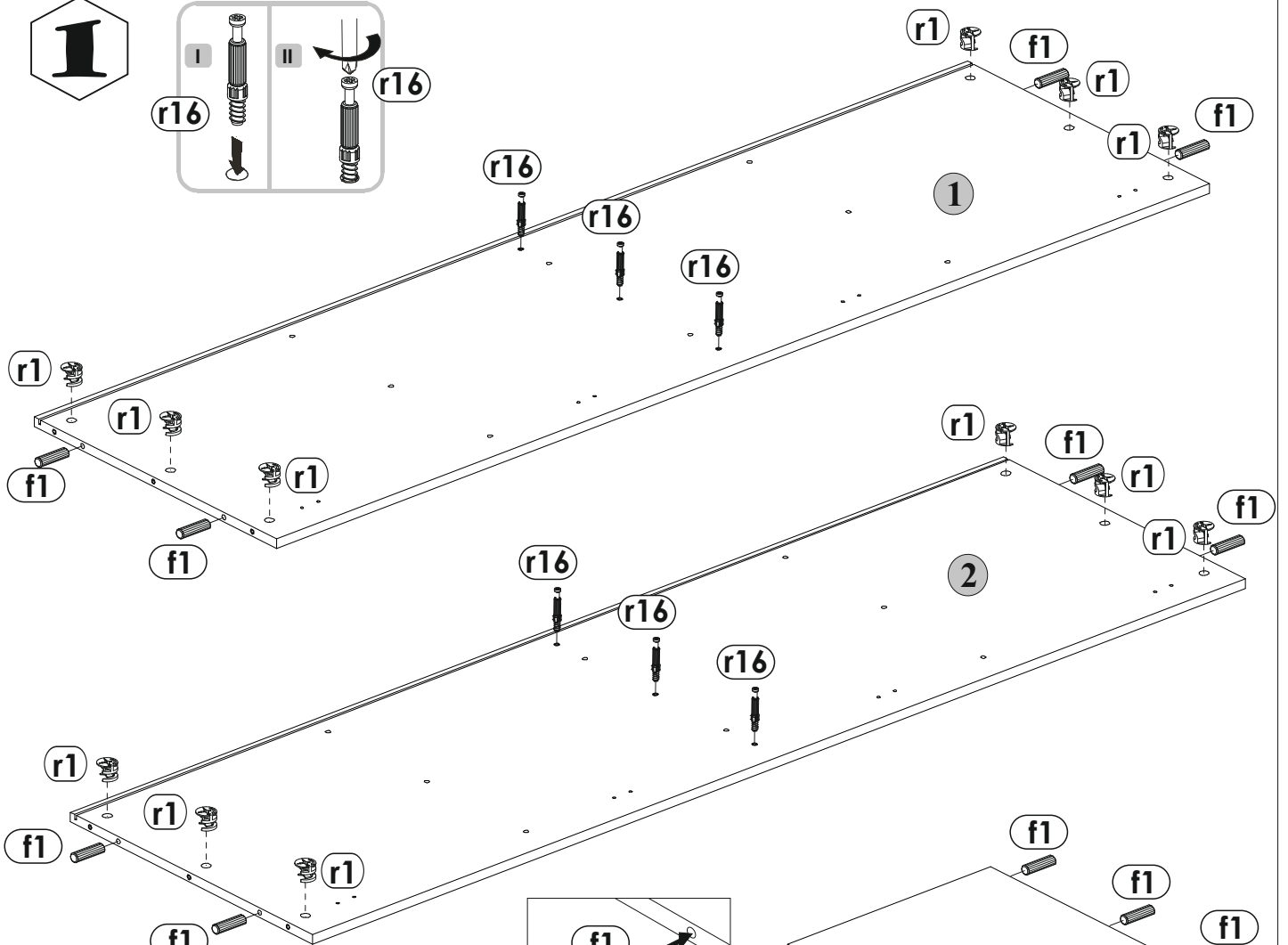
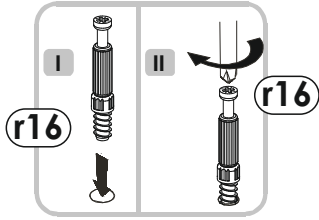
**L****R**

number	Measurements	Pcs.
1	1836x548	1
2	1836x548	1
3	434x550	1
4	434x550	1
5	400x516	2
6	400x516	1
7	1832x396	1
8	924x414	2
9	510x100x60	2



1x  <b>c234</b>	3x  3.5 x 20 mm <b>p4</b>	2x  <b>o21</b>
18x  φ15 #16 <b>r1</b>	18x  <b>s2</b>	3x  <b>i9</b>
2x  φ3.5x25 mm <b>p8</b>	18x  <b>r16</b>	8x  φ6.3x13 mm <b>e2</b>
4x  φ24 mm <b>k22</b>	24x  φ8x30 mm <b>f1</b>	8x  <b>j5<sup>1</sup></b>
16x  <b>i2</b>	4x  <b>b1</b>	8x  φ3.5x13 mm <b>p1</b>
8x  <b>j5<sup>2</sup></b>	4x  <b>a1</b>	

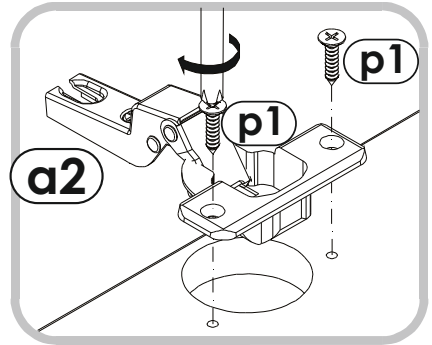
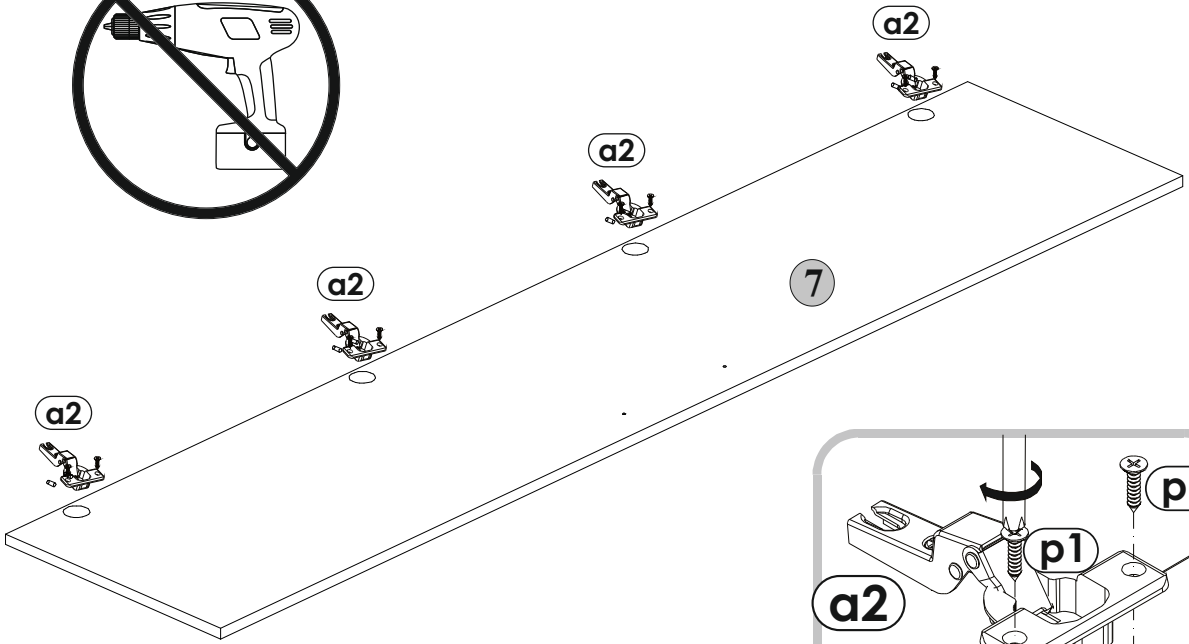
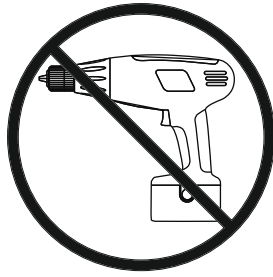
**1**



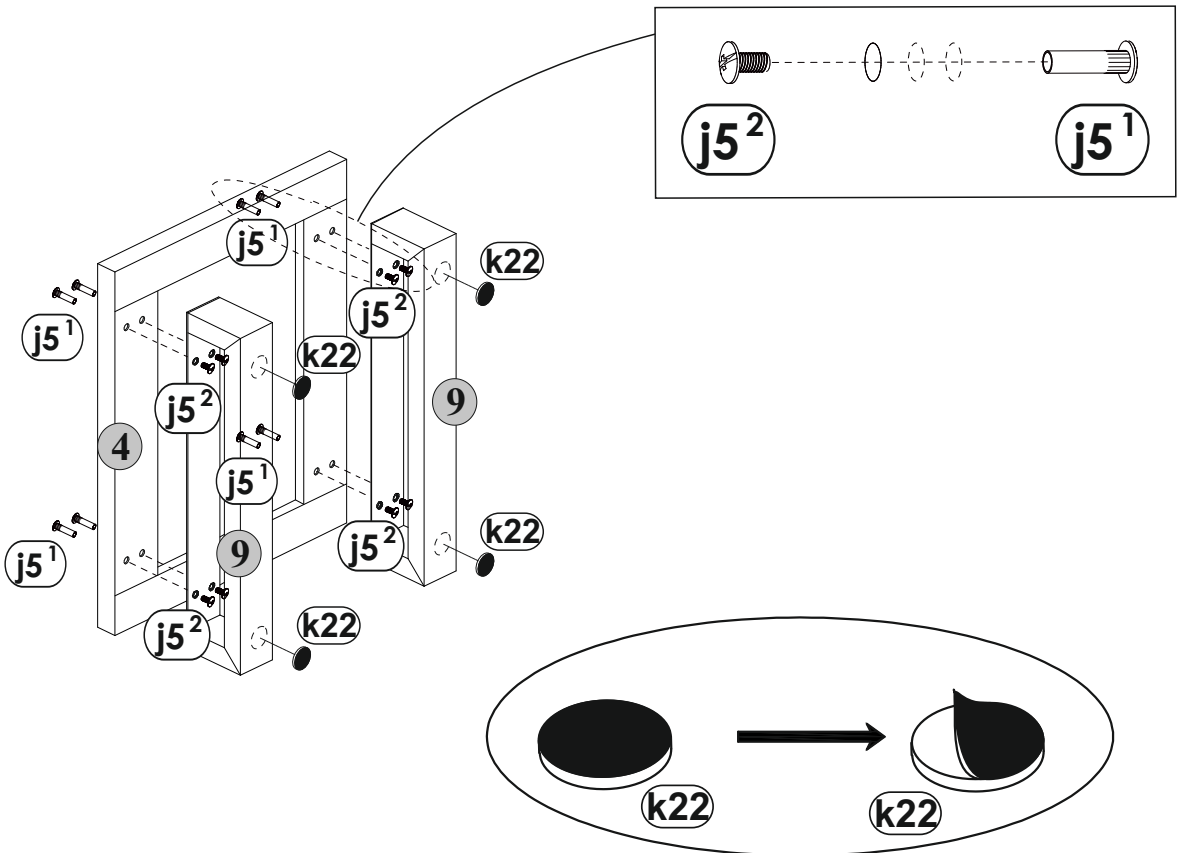
2



**2**

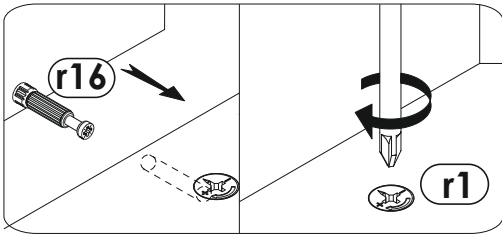
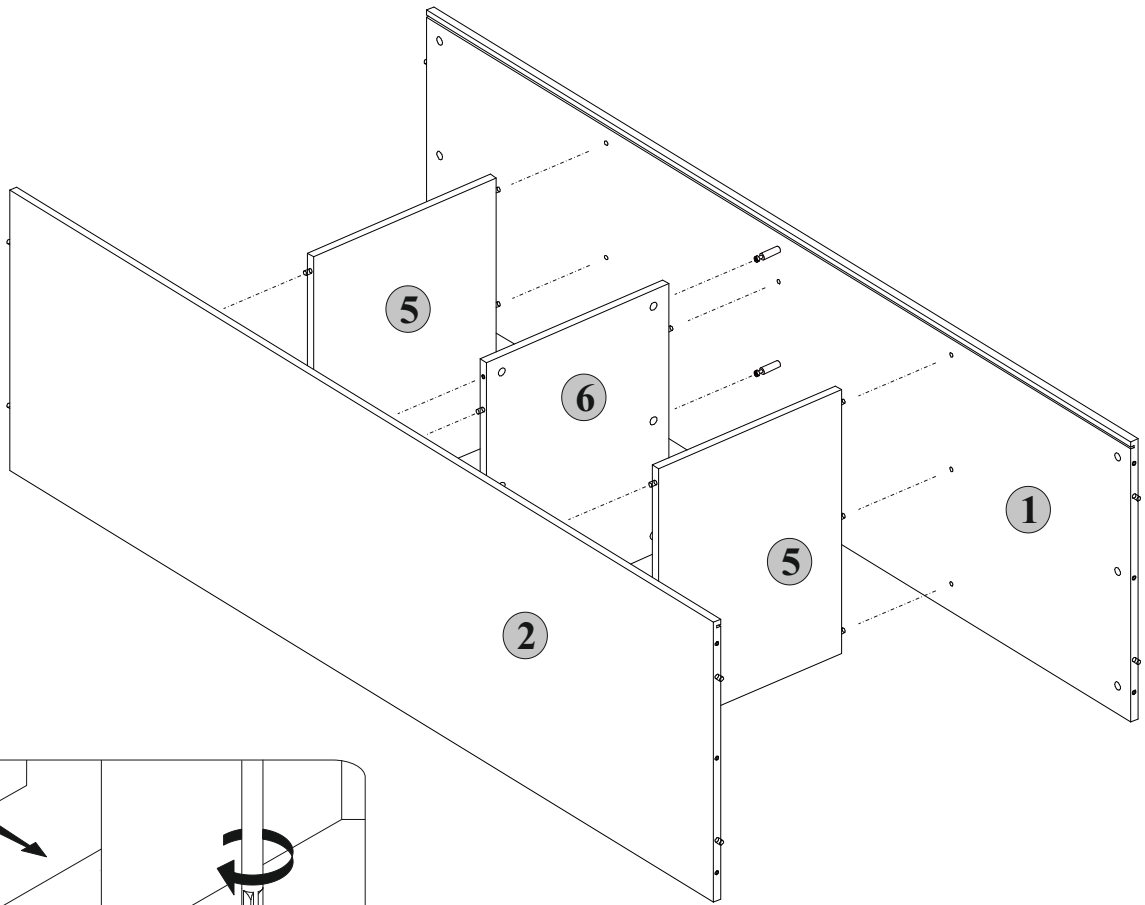


**3**

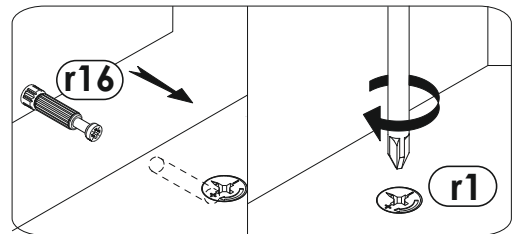
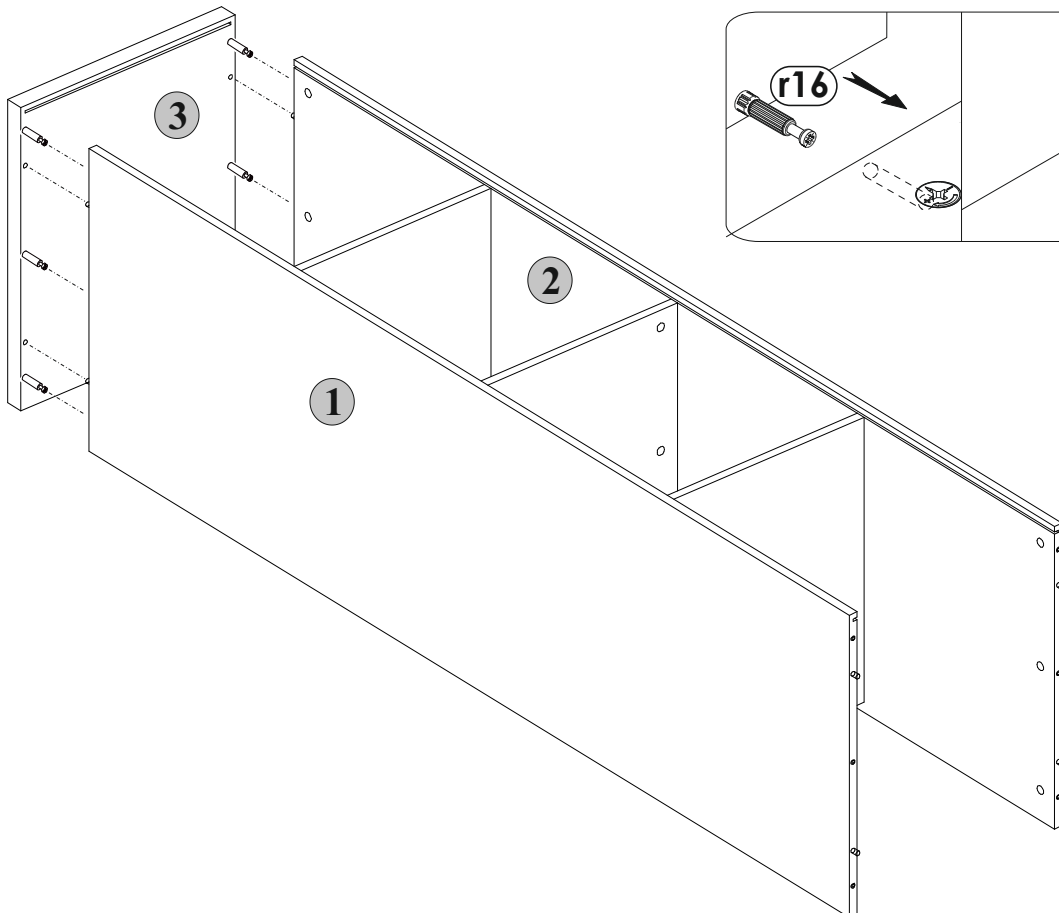


**3**

4

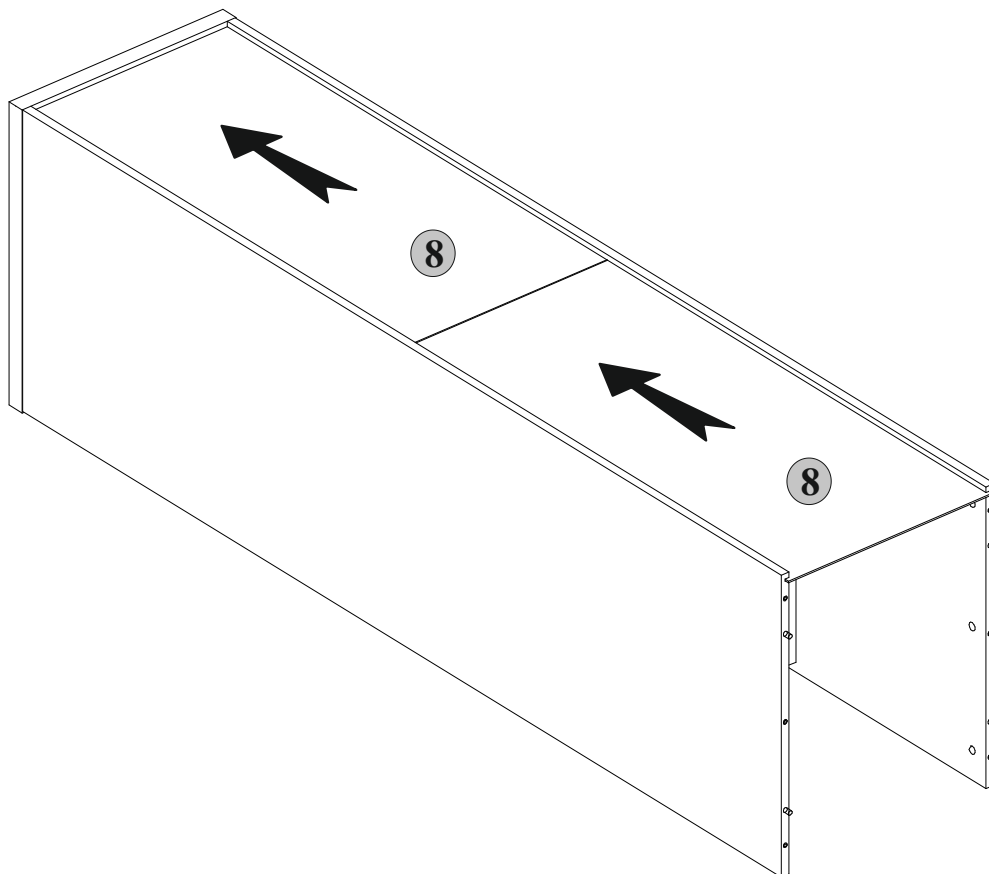


5

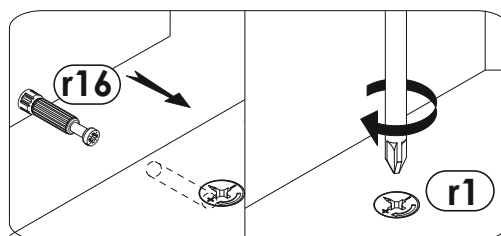
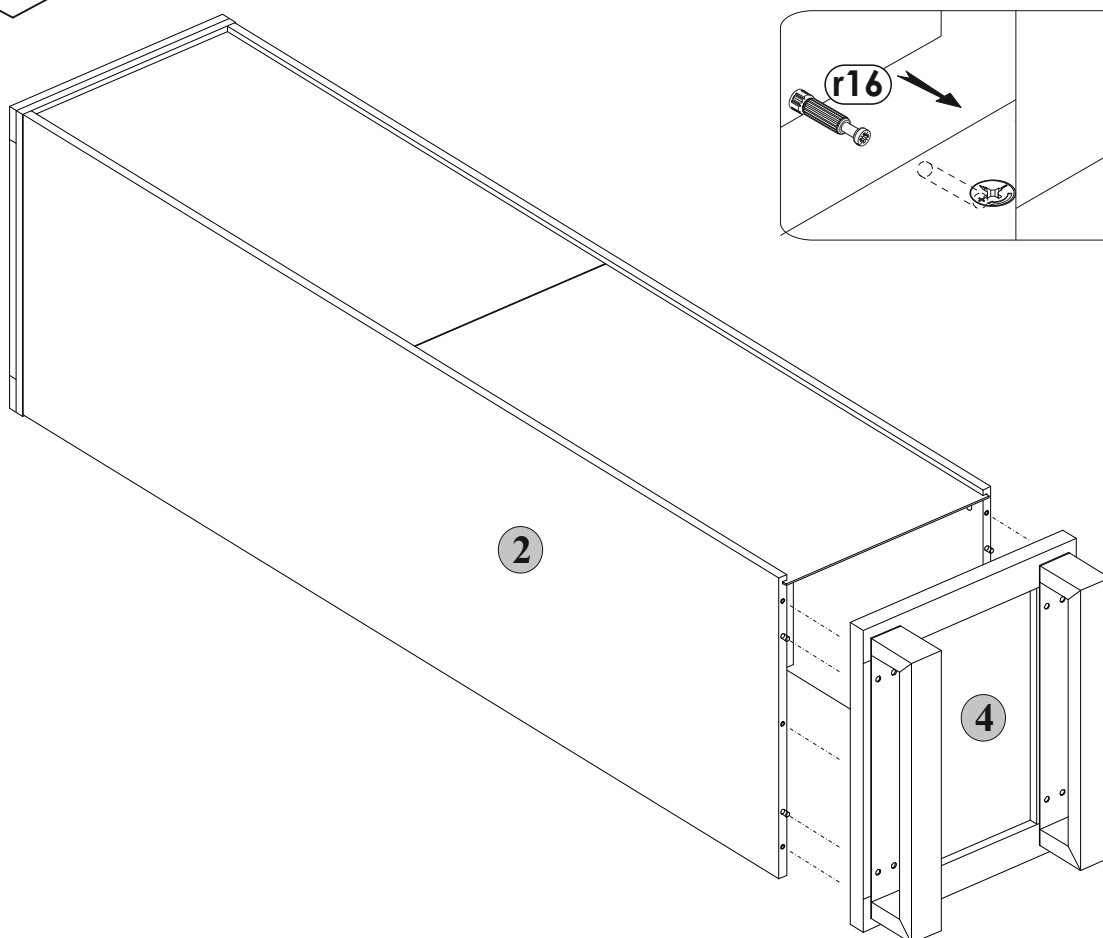


4

6

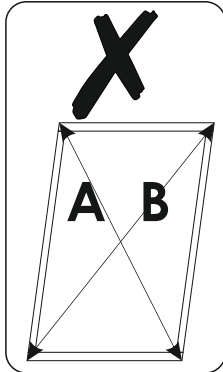
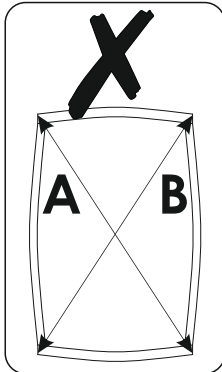
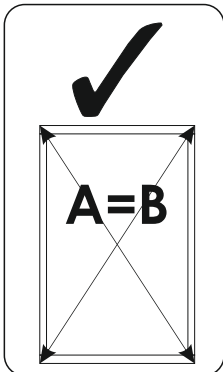
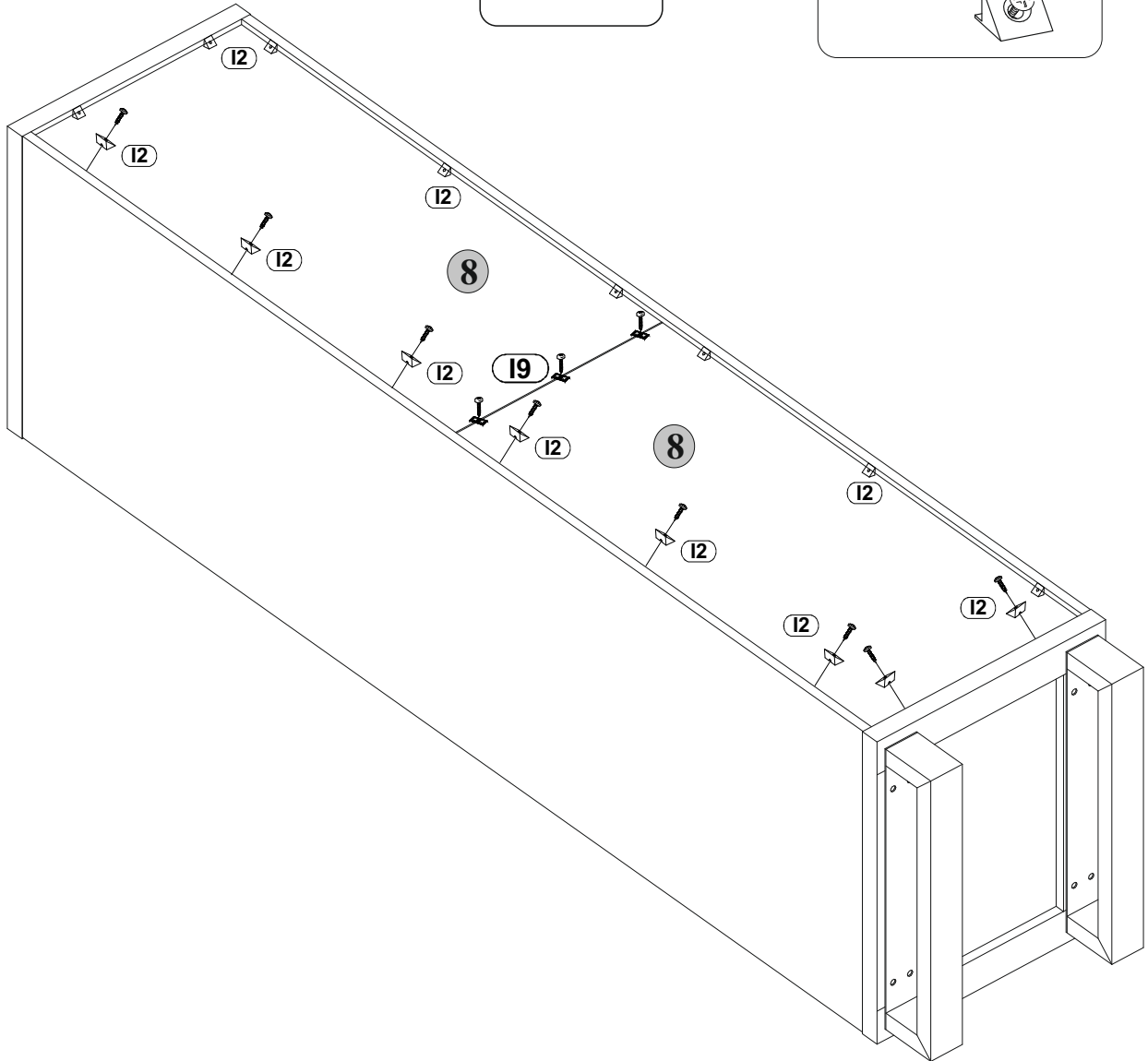
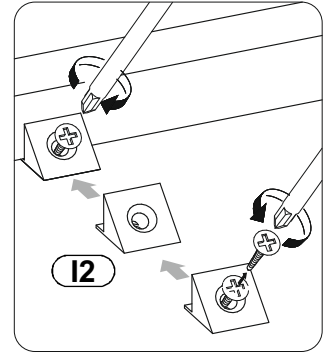
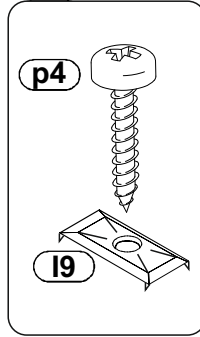


7



5

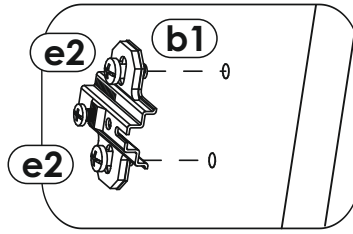
8



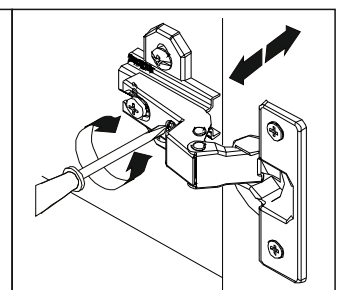
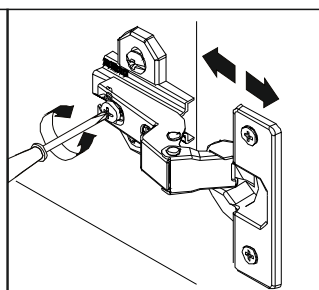
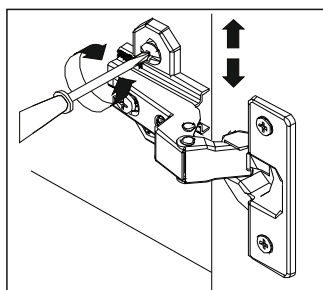
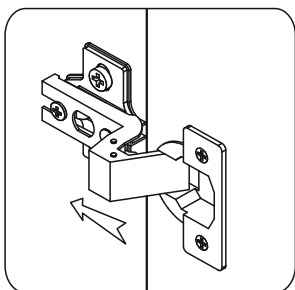
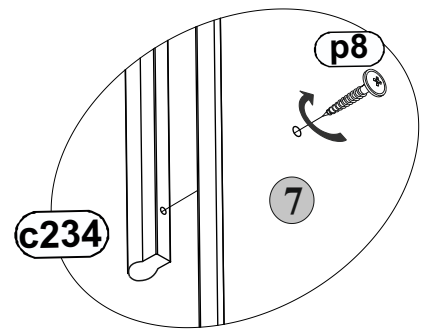
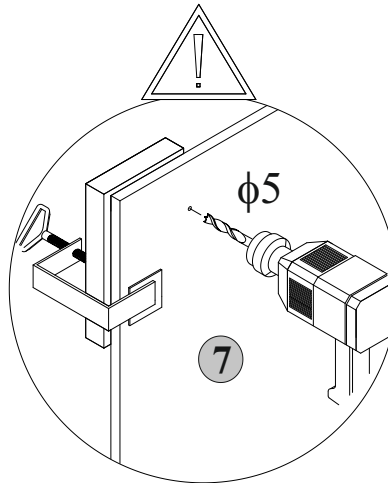
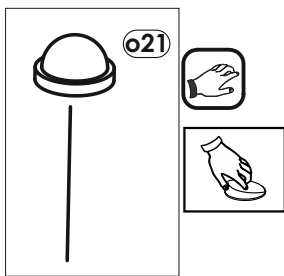
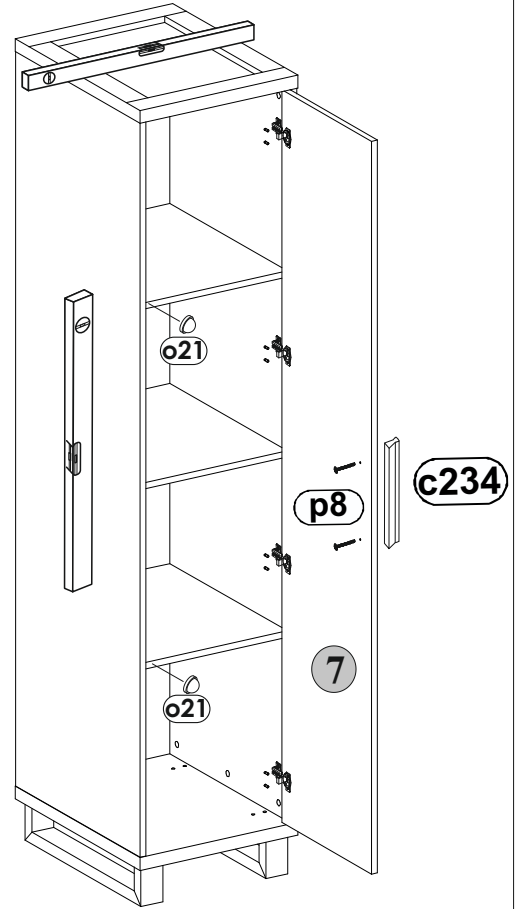
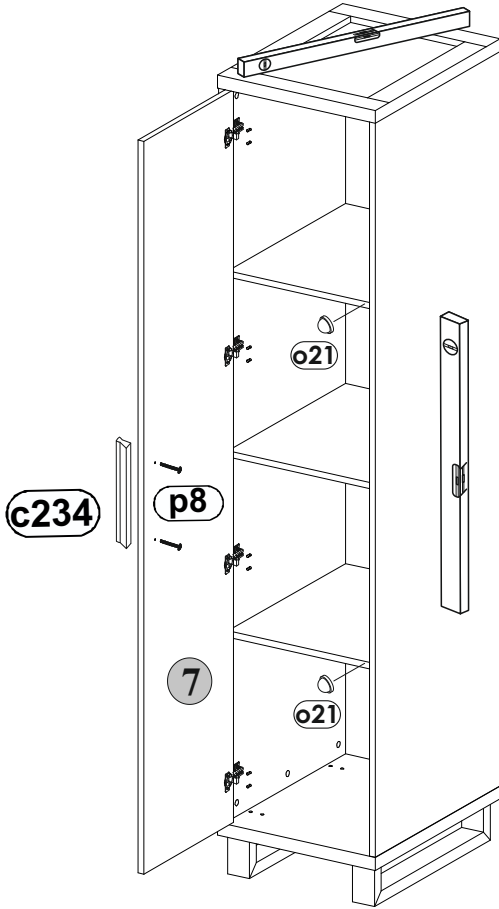
6

9

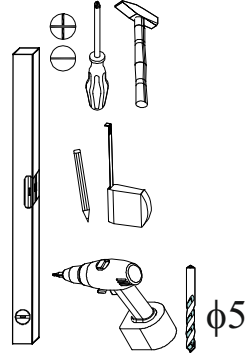
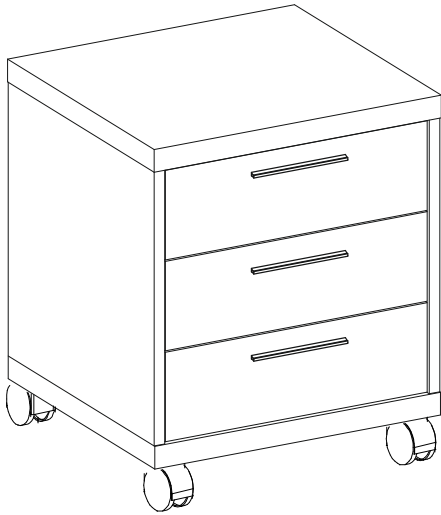
**L**



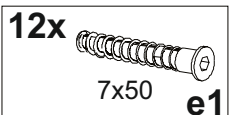
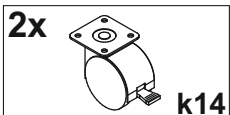
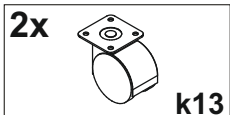
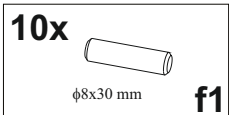
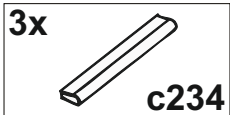
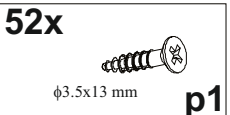
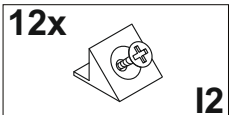
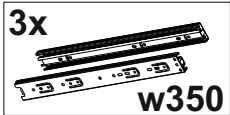
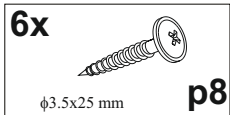
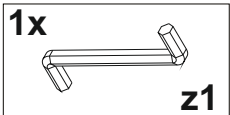
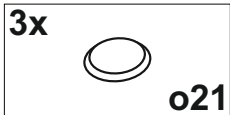
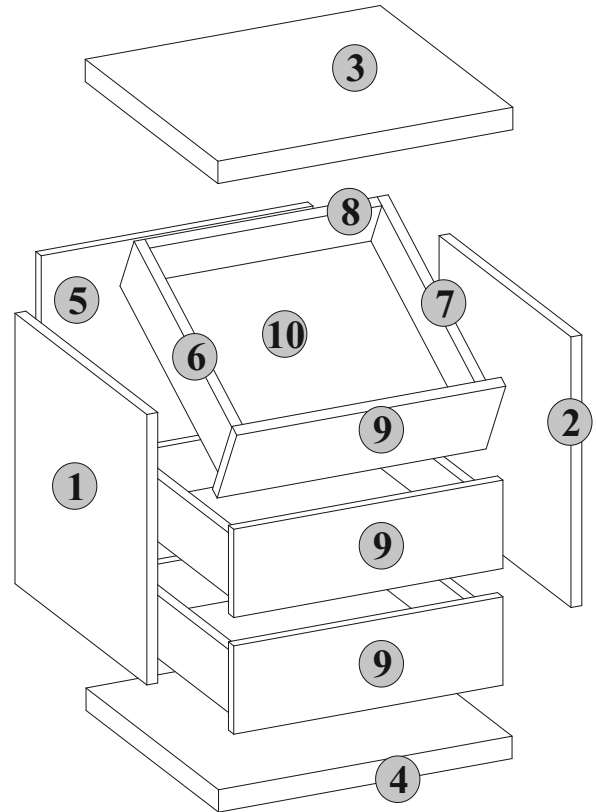
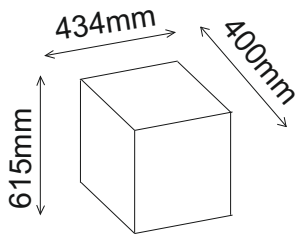
**R**



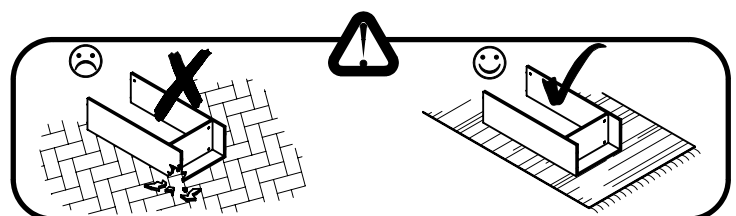
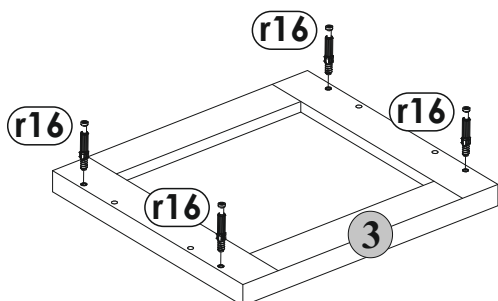
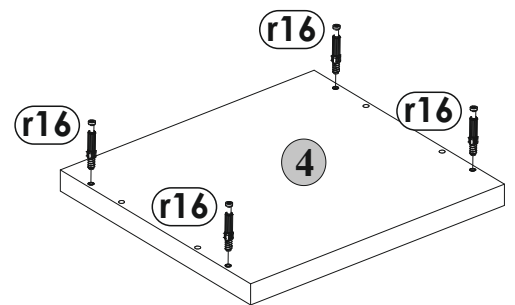
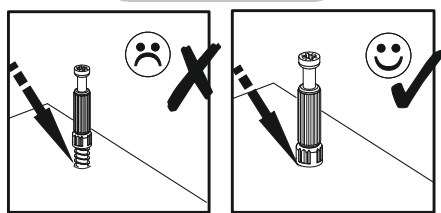
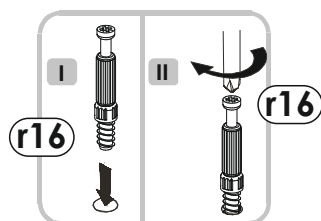
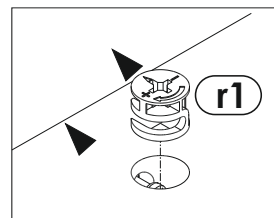
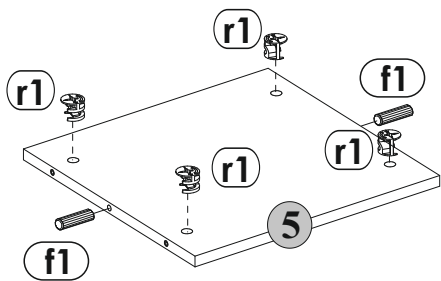
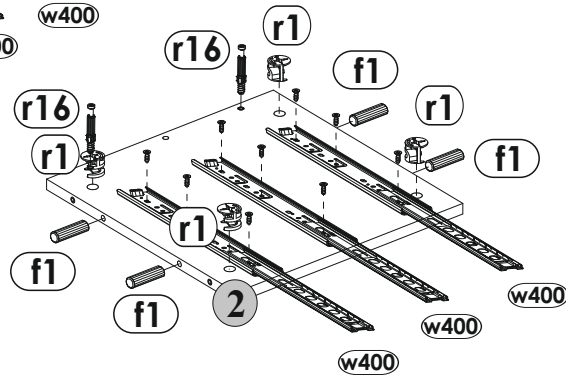
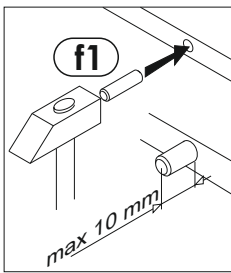
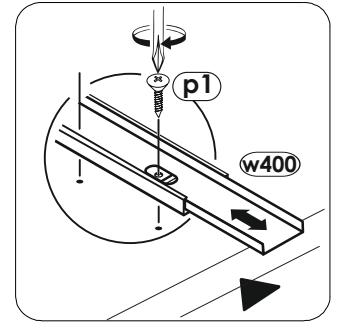
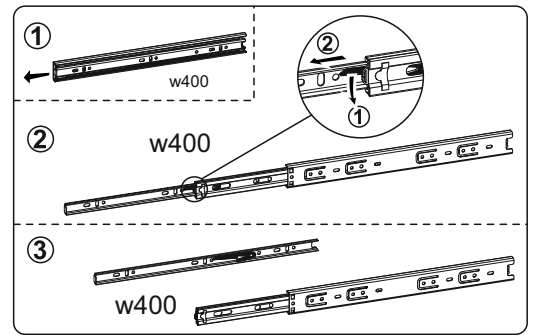
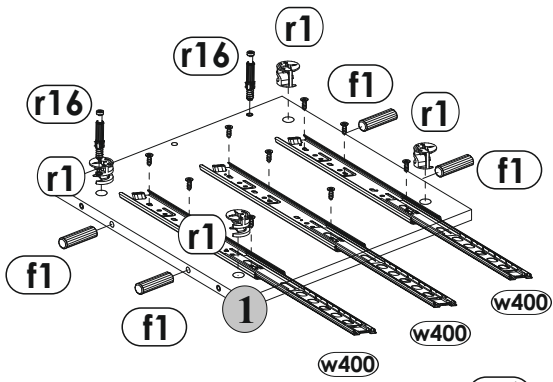
7



number	Measurements	Pcs.
1	386x398	1
2	386x398	1
3	434x400	1
4	432x400	1
5	386x400	1
6	350x90	3
7	350x90	3
8	342x90	3
9	394x126	3
10	352x344	3



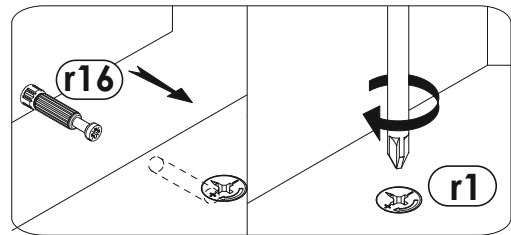
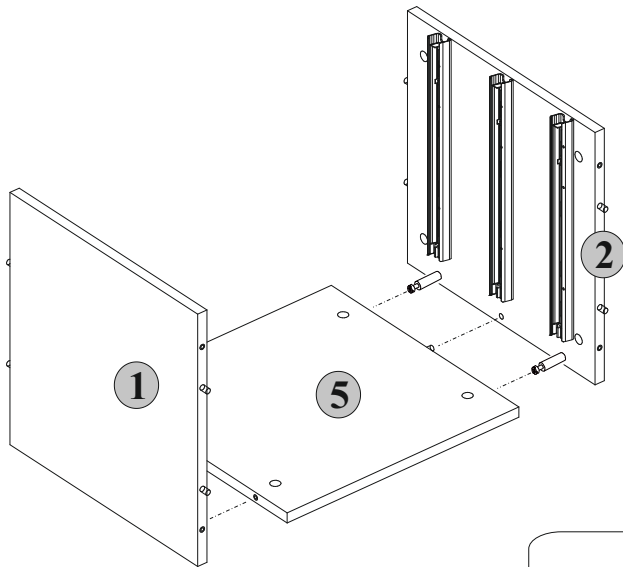
# I



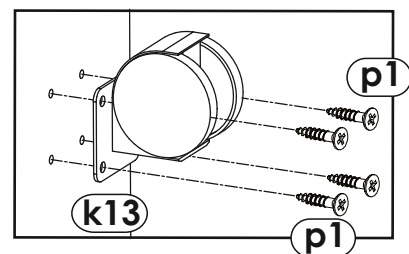
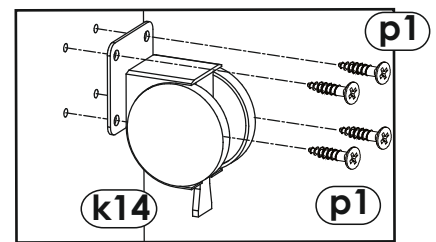
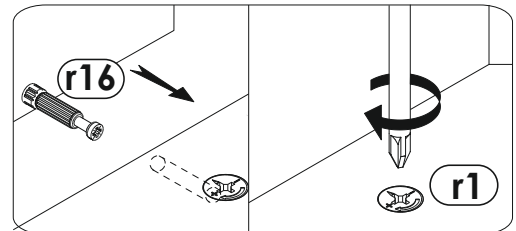
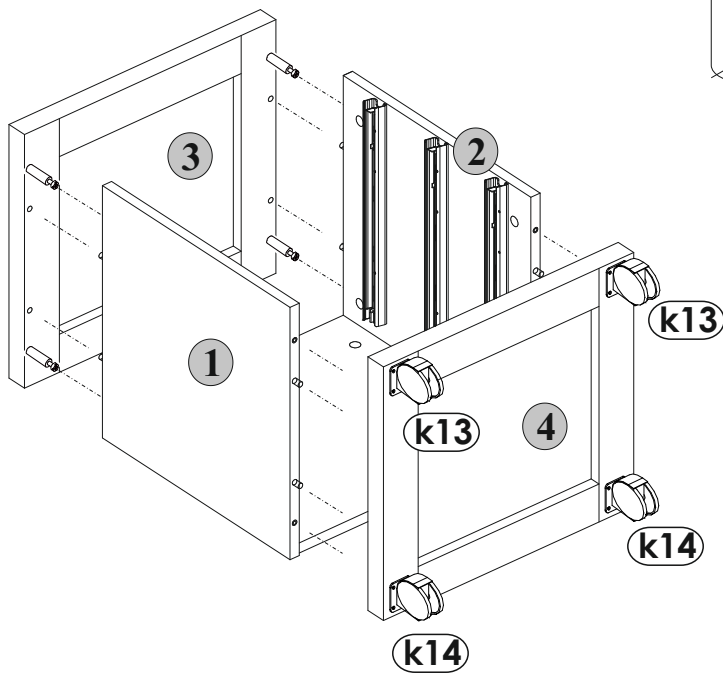
# 2



**2**

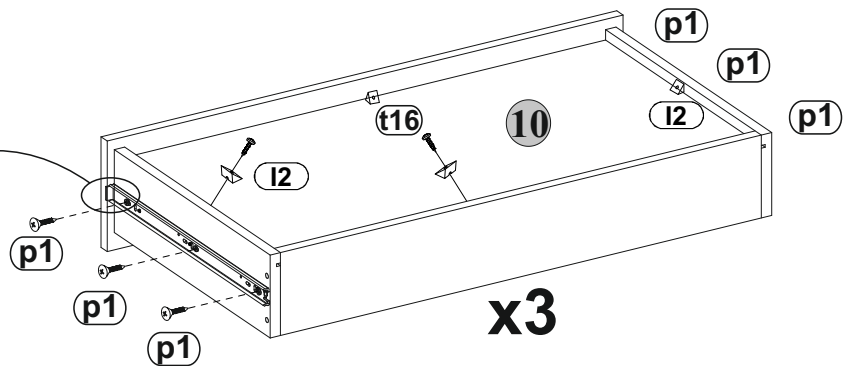
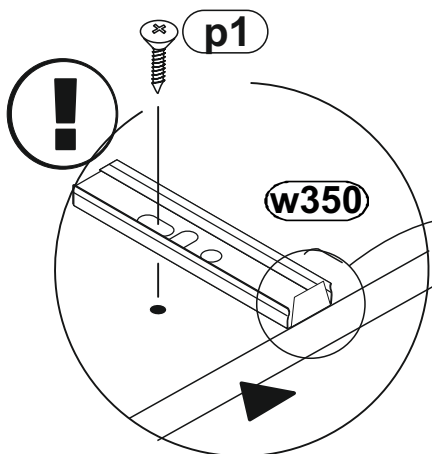
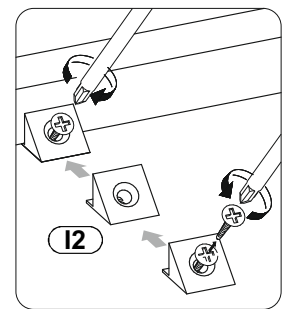
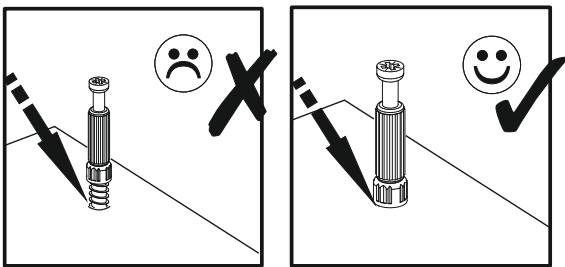
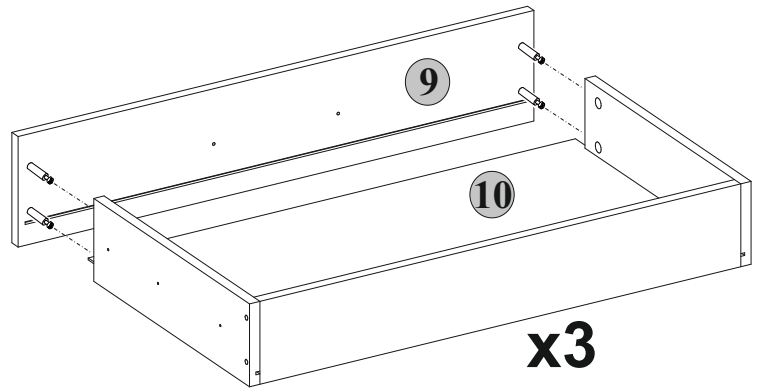
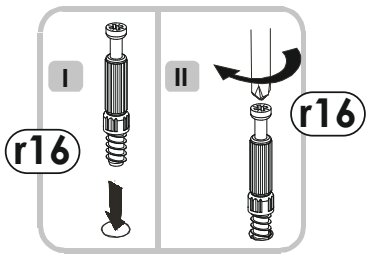
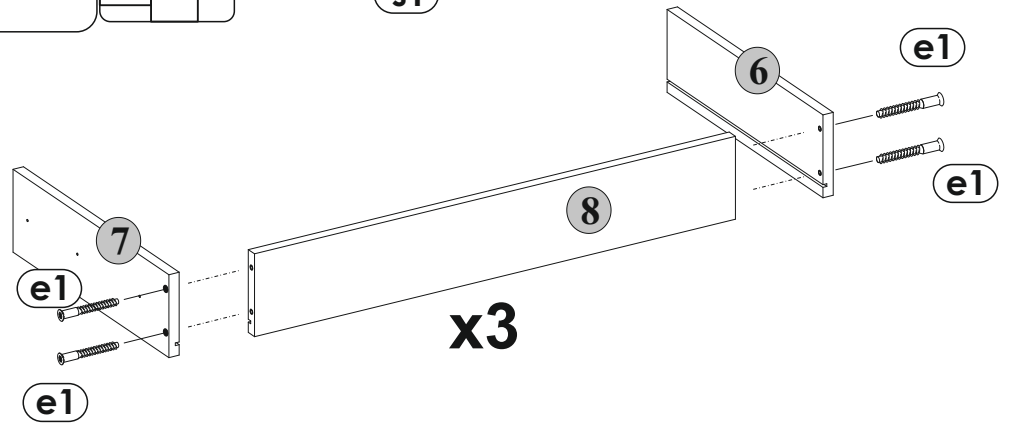
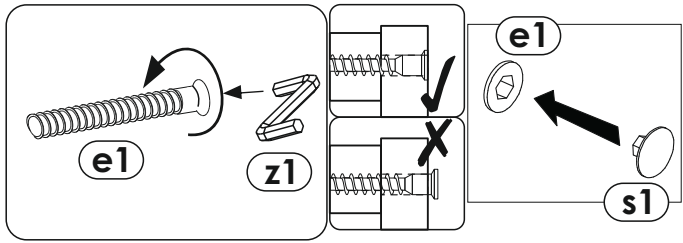


**3**



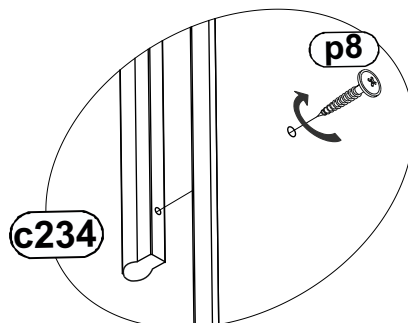
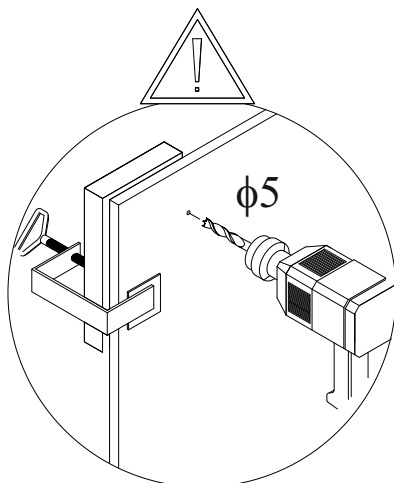
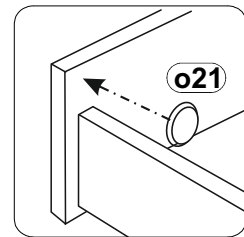
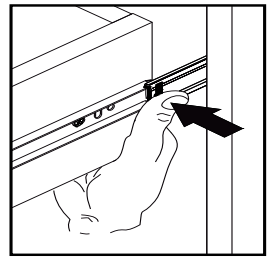
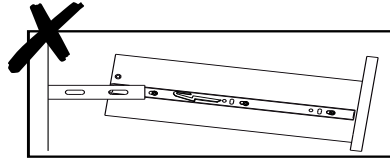
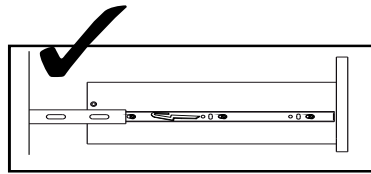
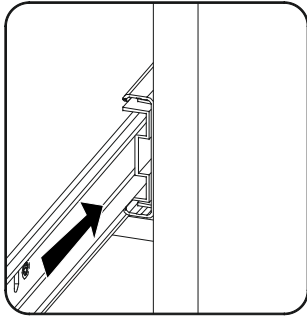
**3**

4



3

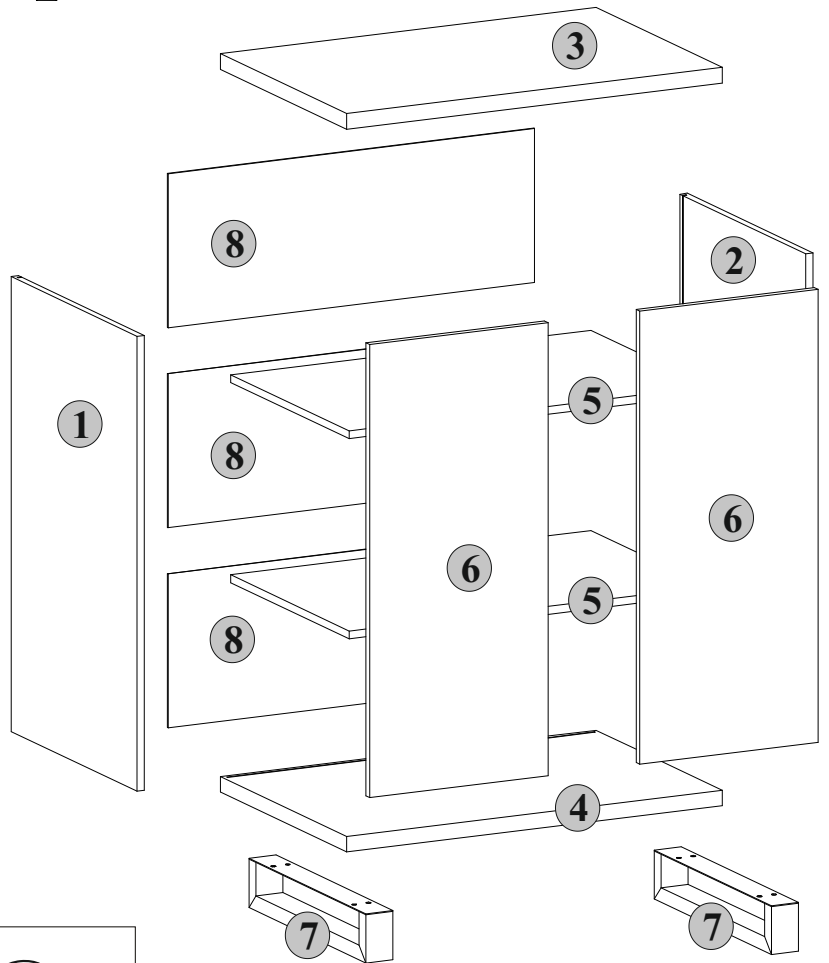
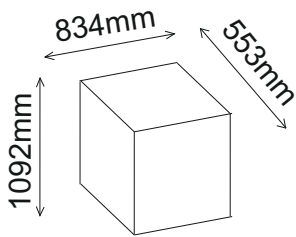
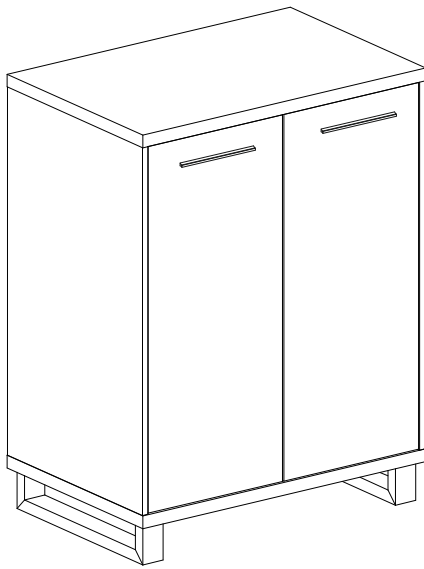
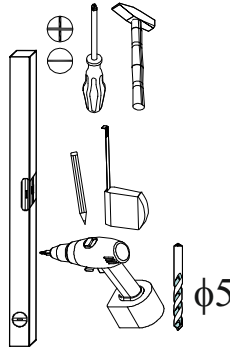
5

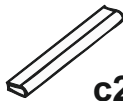
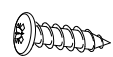



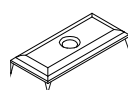

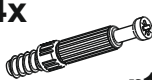
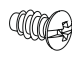


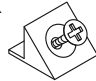







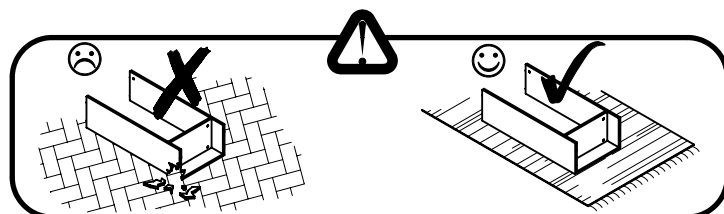
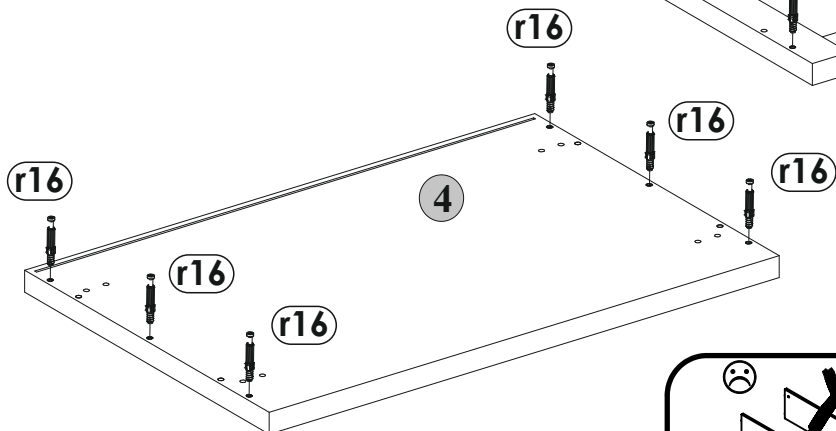
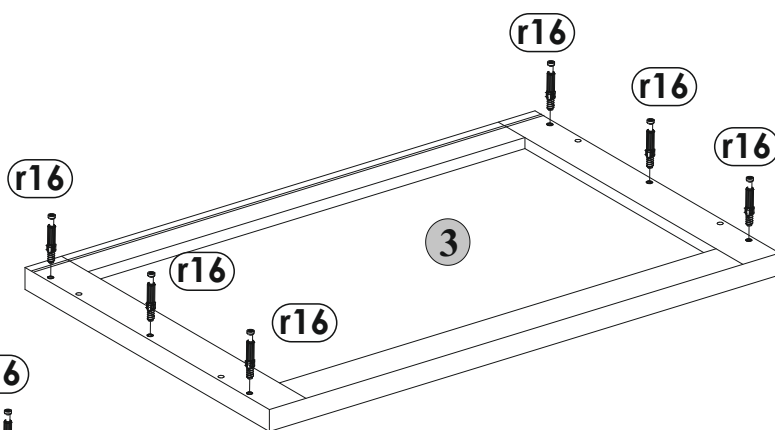
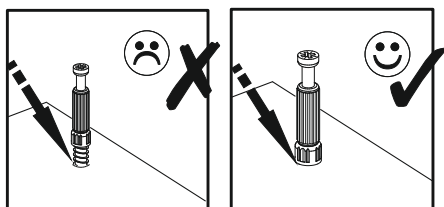
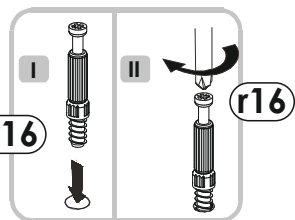
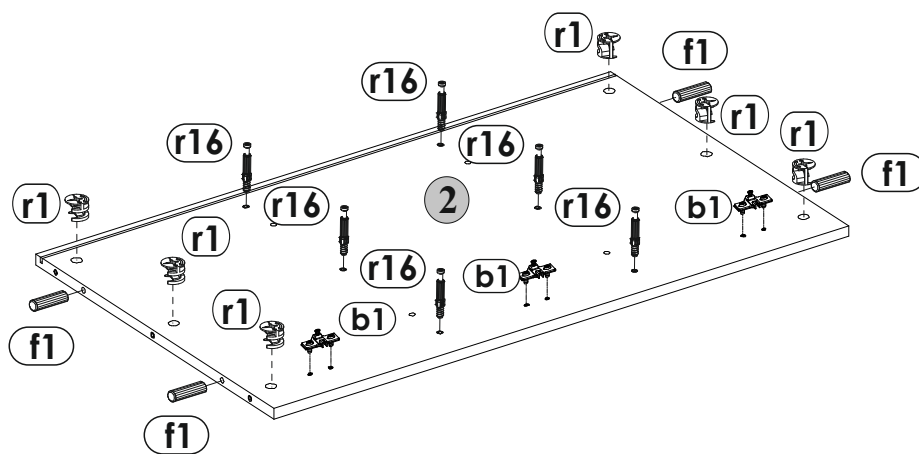
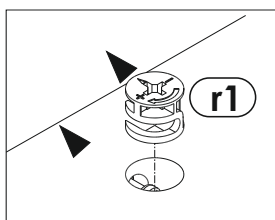
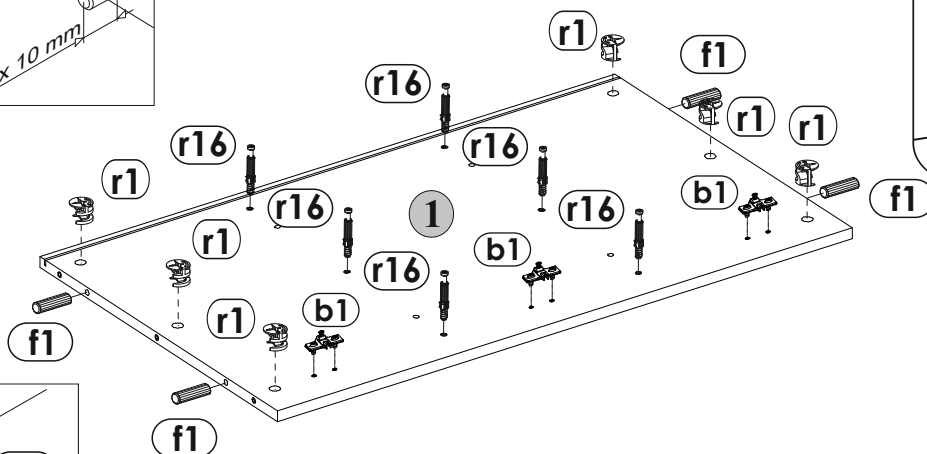
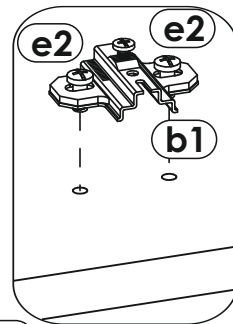
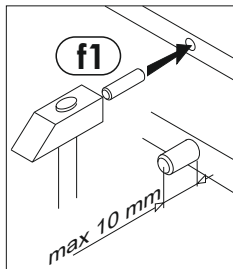
5



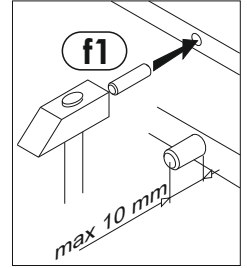
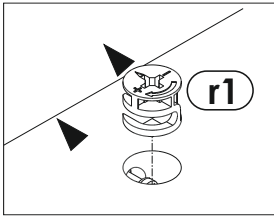
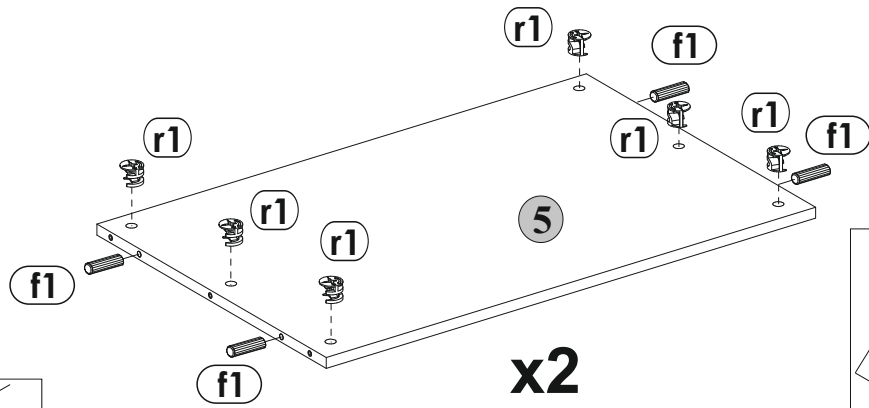
number	Measurements	Pcs.
1	928x548	1
2	928x548	1
3	834x550	1
4	834x550	1
5	800x516	2
6	924x396	2
7	510x100x60	1
8	314x814	3



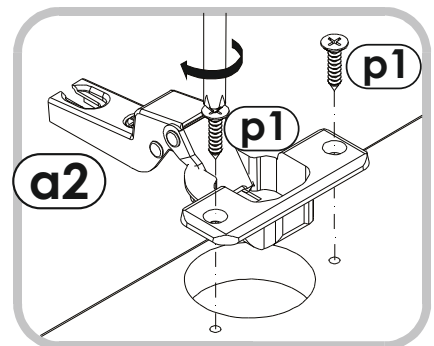
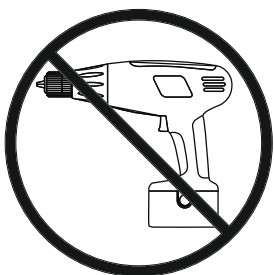
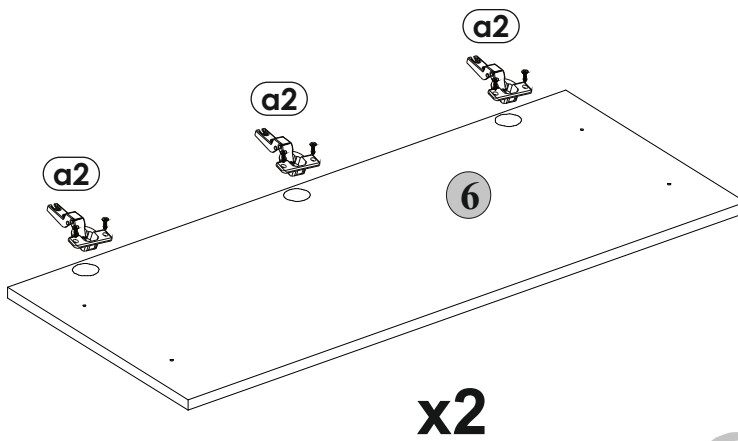
2x  c234	6x  3.5 x 20 mm p4	2x  o21
24x  φ15 #16 r1	24x  s2	6x  l9
4x  φ3.5x25 mm p8	24x  r16	12x  φ6.3x13 mm e2
4x  φ24 mm k22	12x  φ8x30 mm f1	14x  l2
8x  j5 <sup>1</sup>	8x  j5 <sup>2</sup>	6x  b1
6x  a1	12x  φ3.5x13 mm p1	



**2**

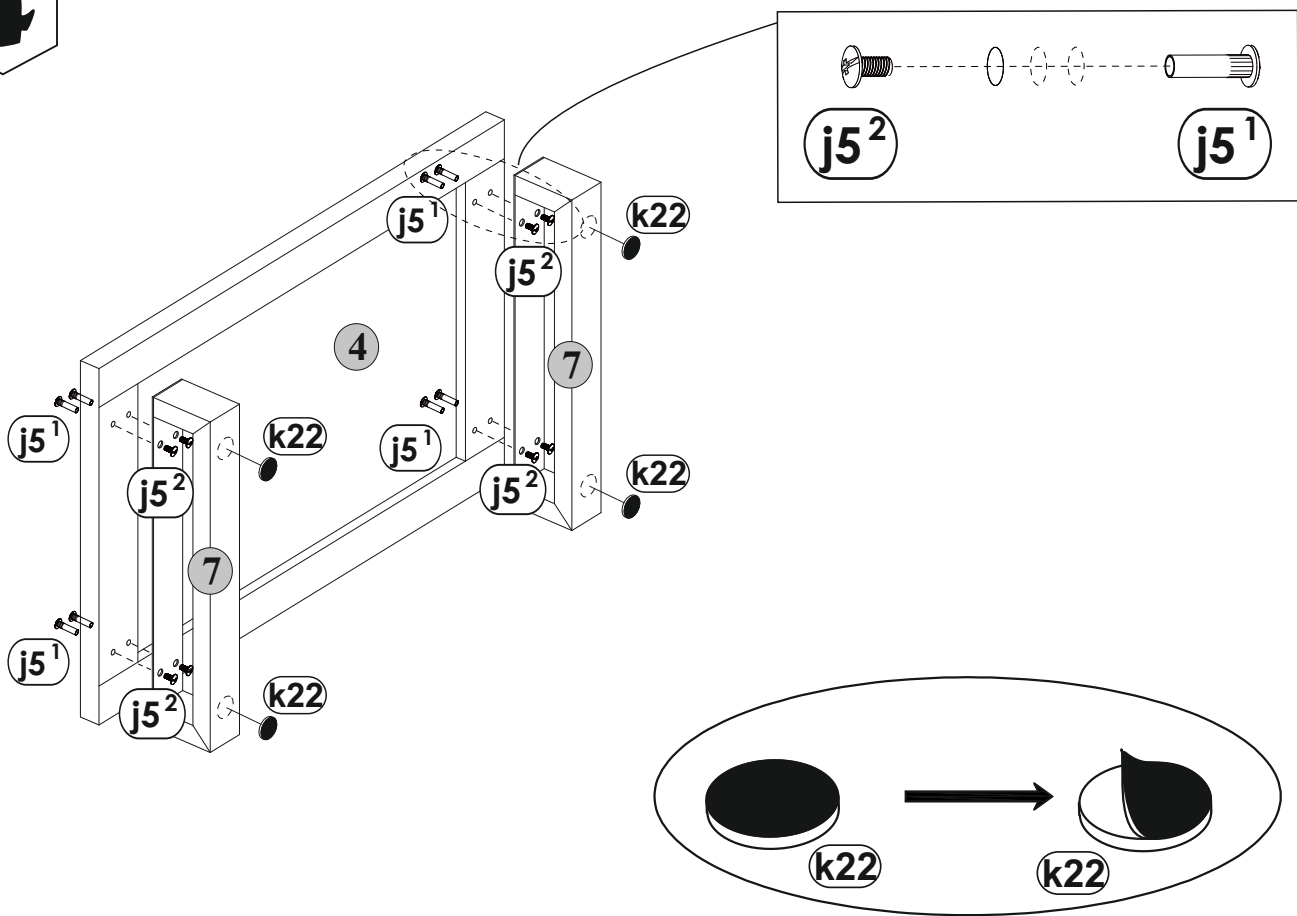


**3**

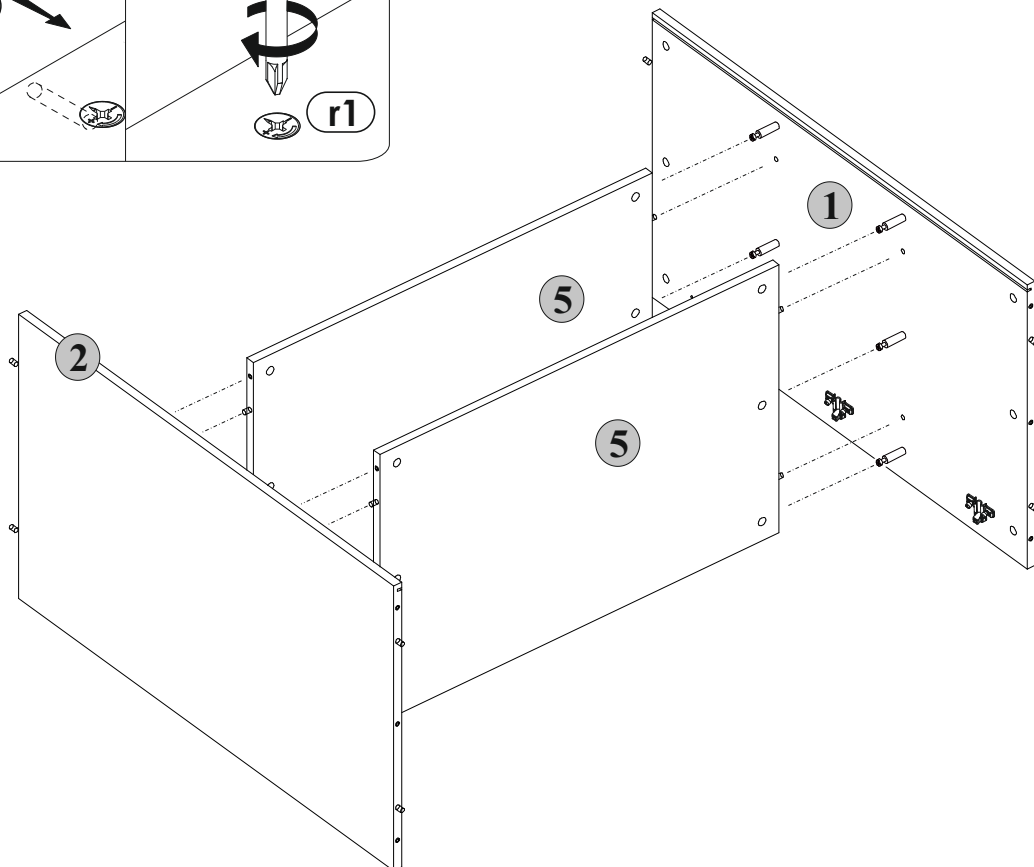
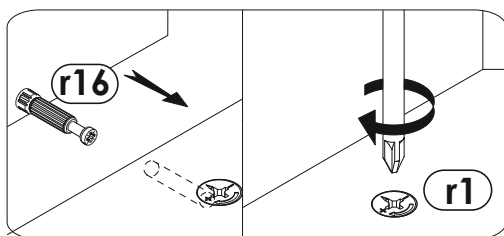


**3**

4



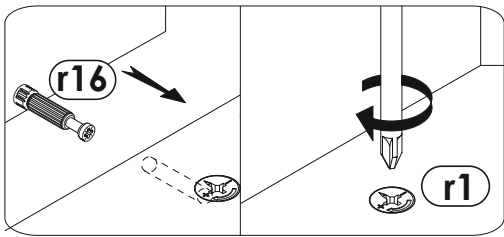
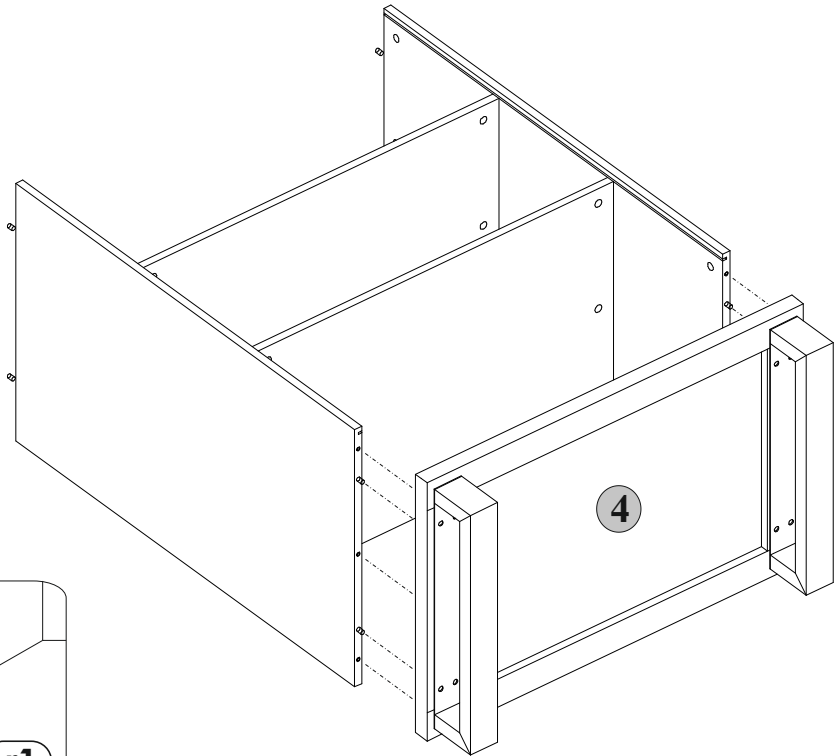
5



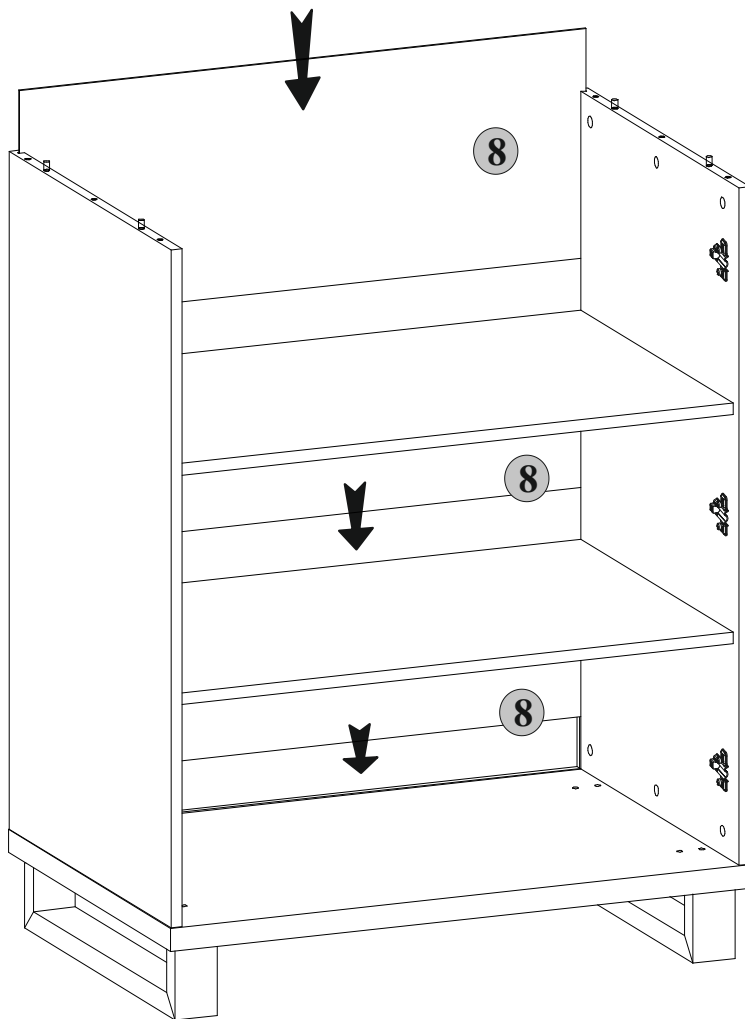
4



6

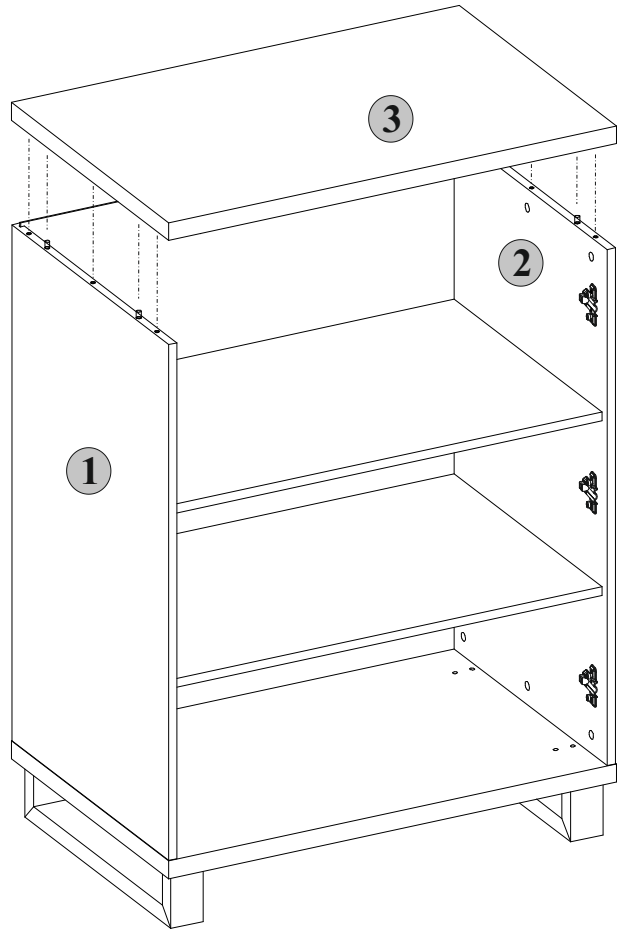
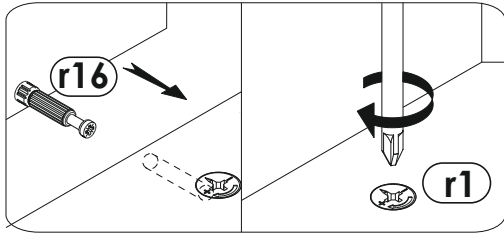


7

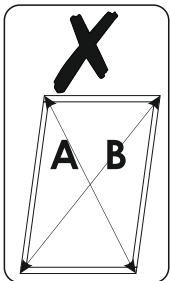
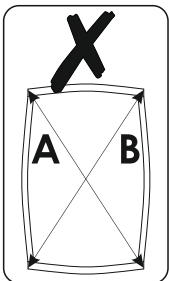
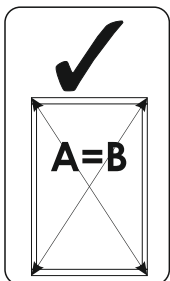
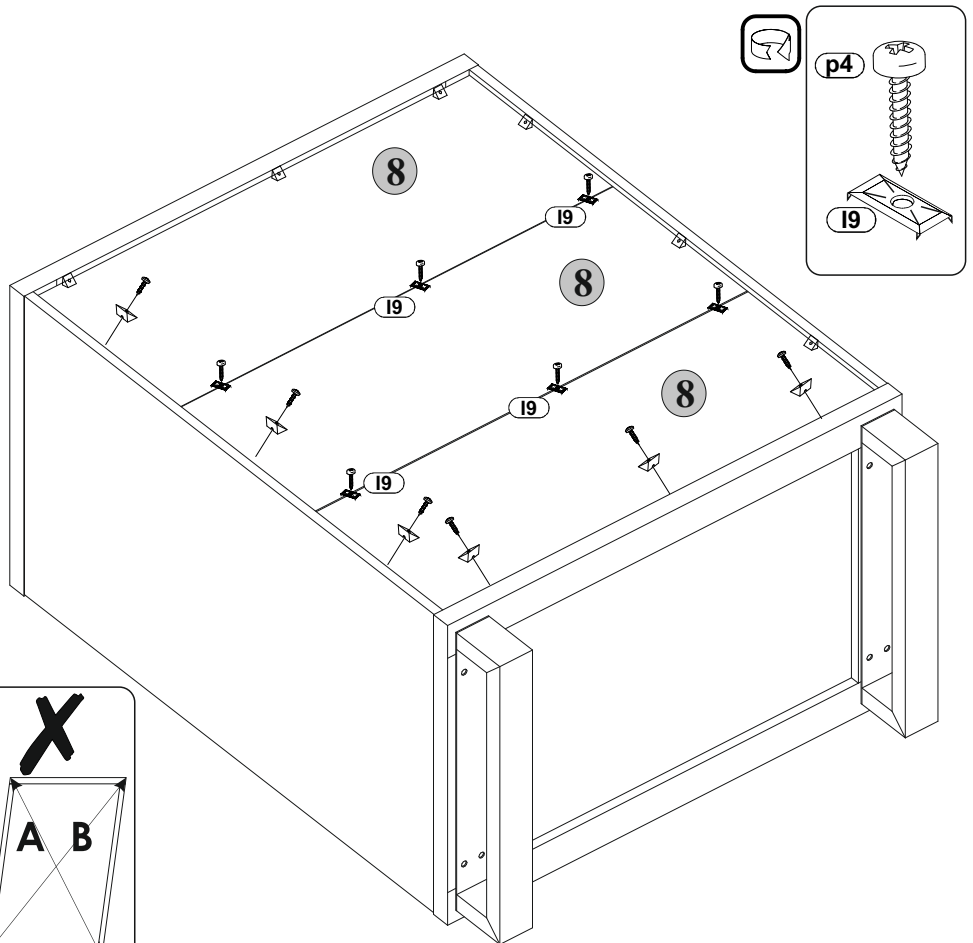
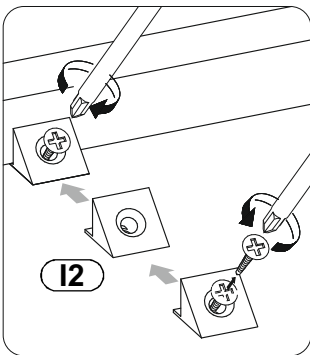


5

8

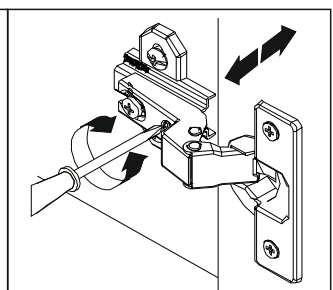
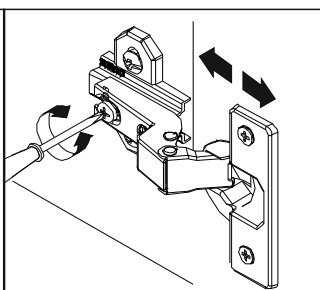
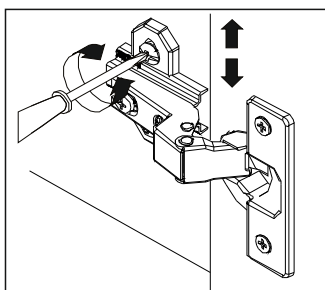
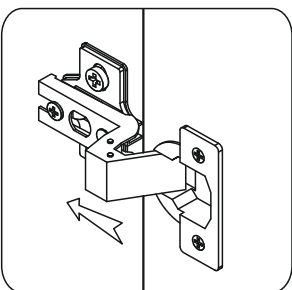
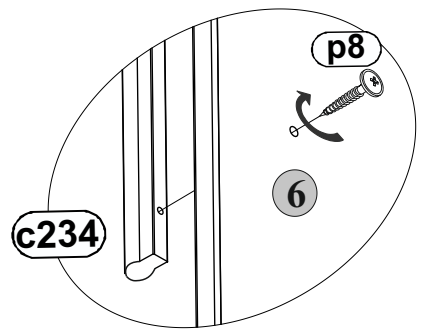
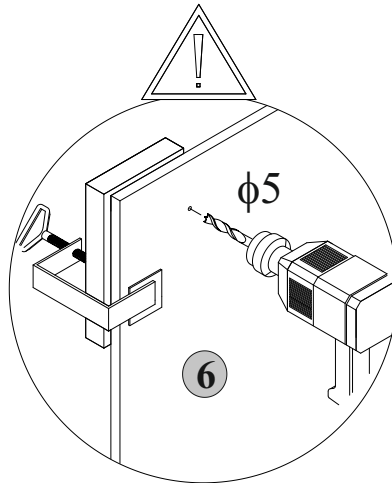
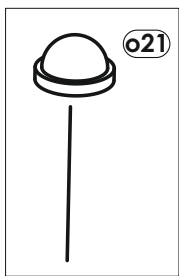
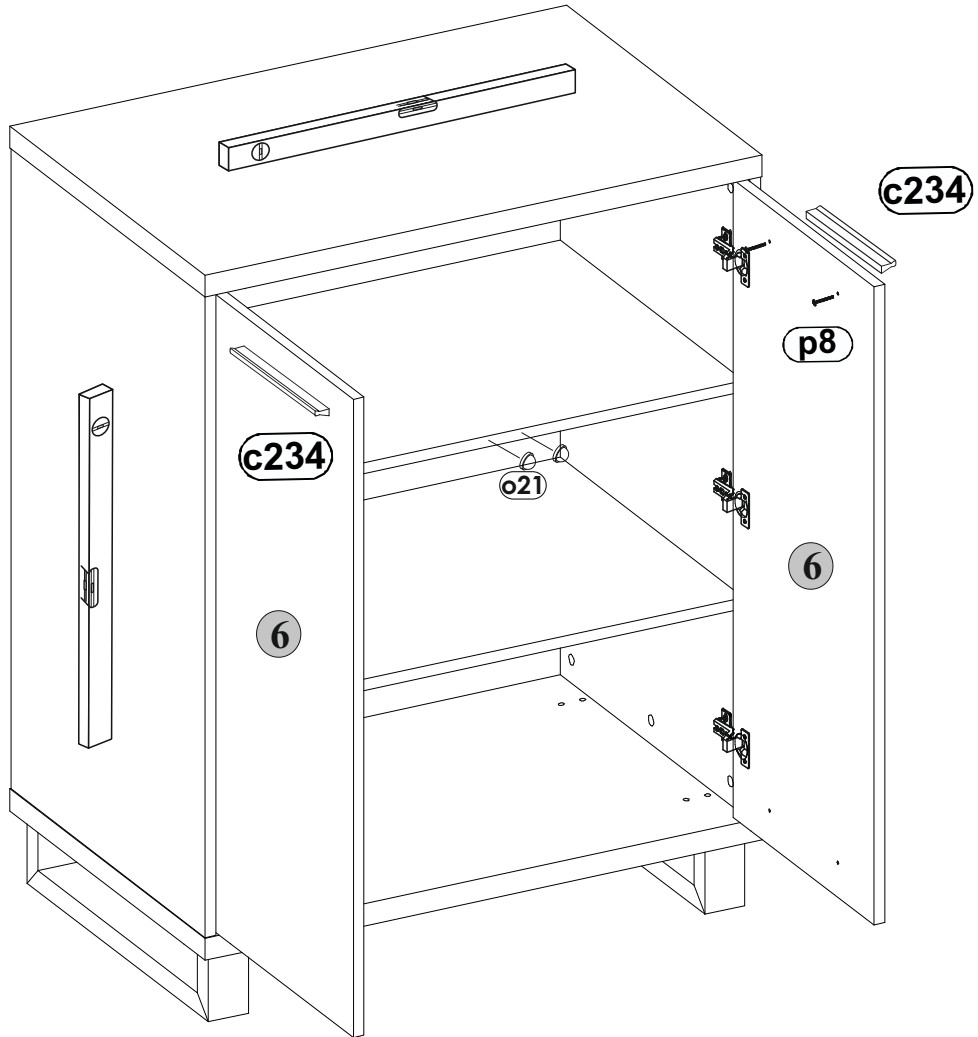


9



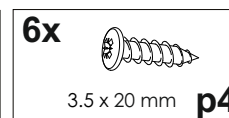
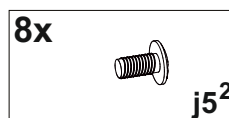
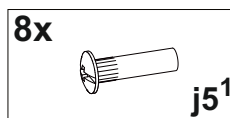
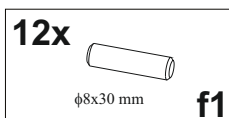
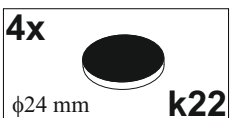
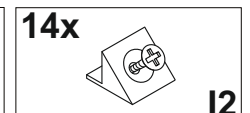
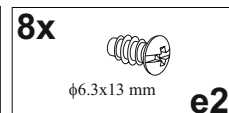
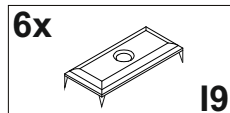
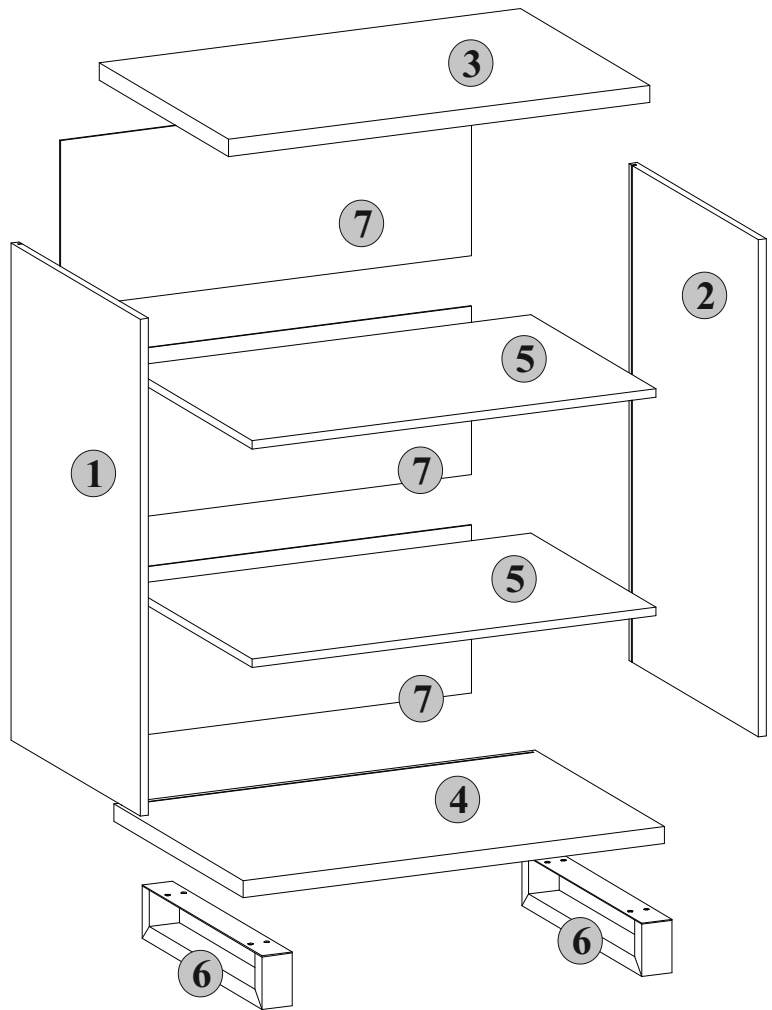
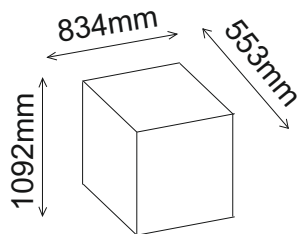
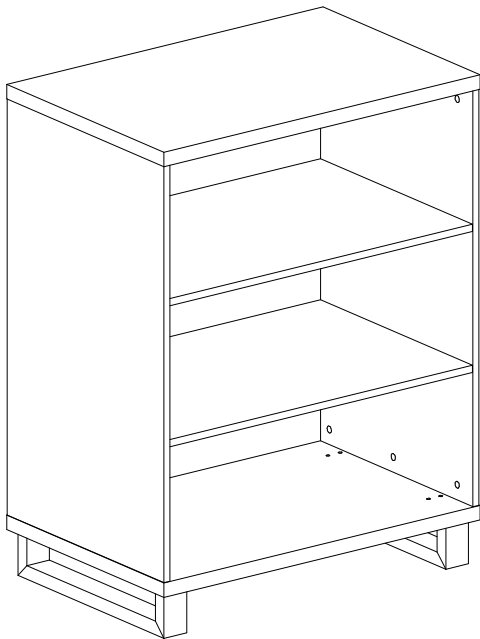
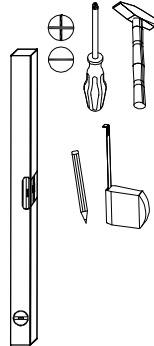
6

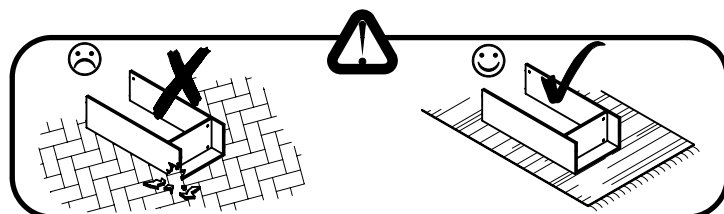
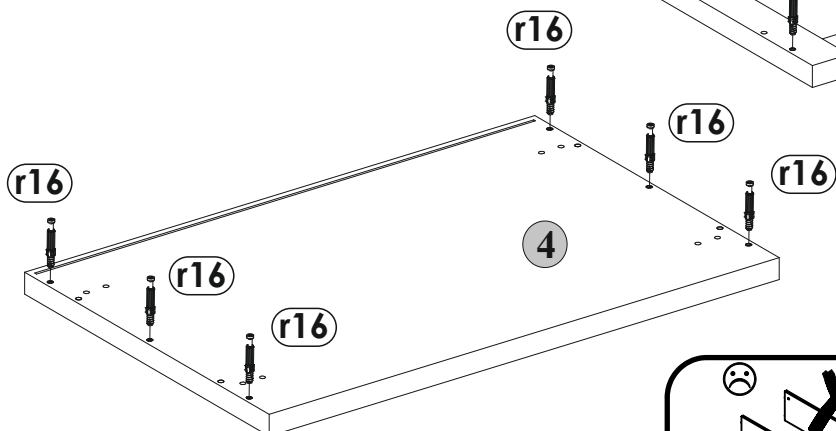
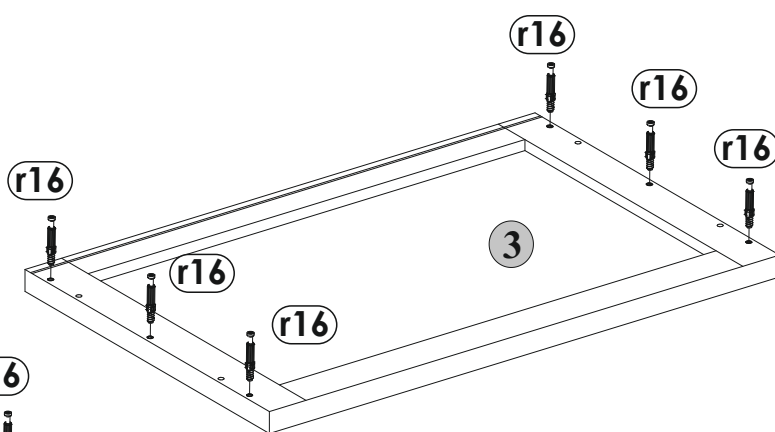
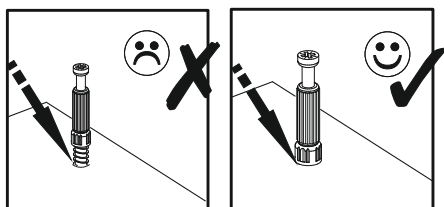
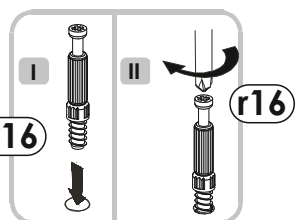
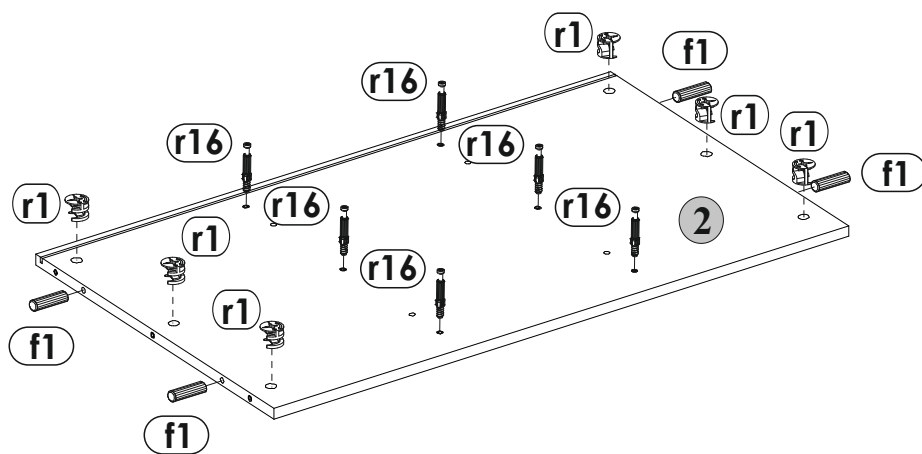
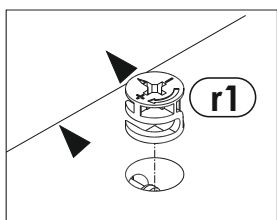
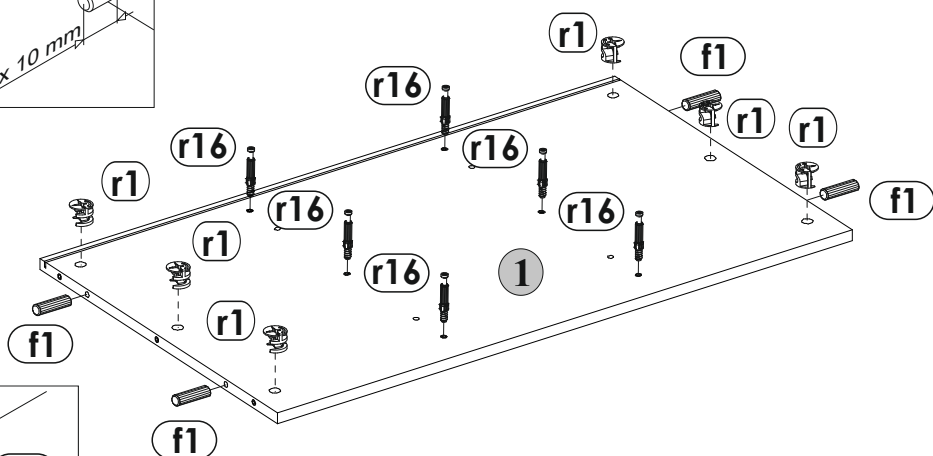
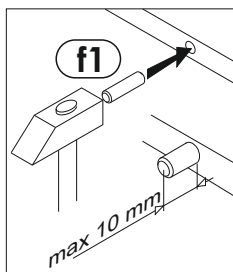
# 10



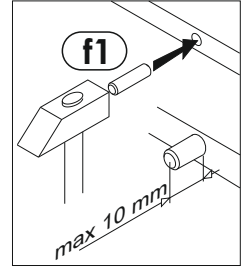
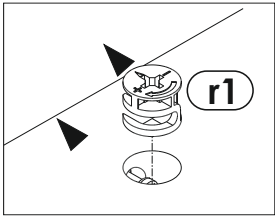
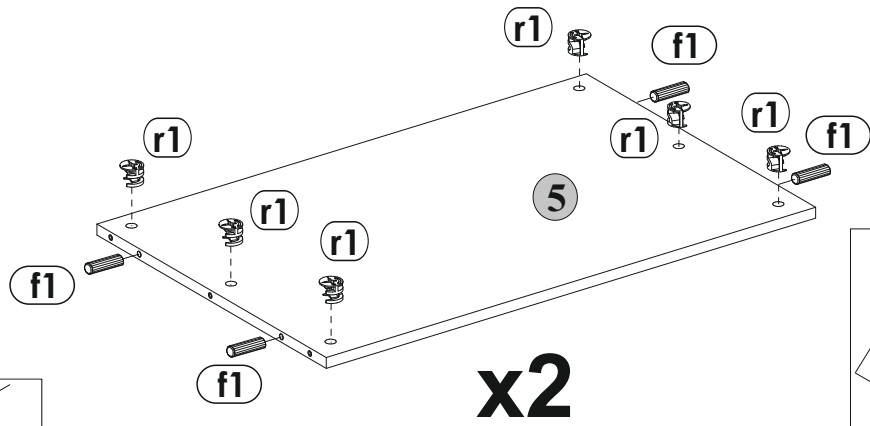


number	Measurements	Pcs.
1	886x408	1
2	886x408	1
3	790x405	1
4	790x405	1
5	924x441	1
6	866x405	1
7	866x80	1

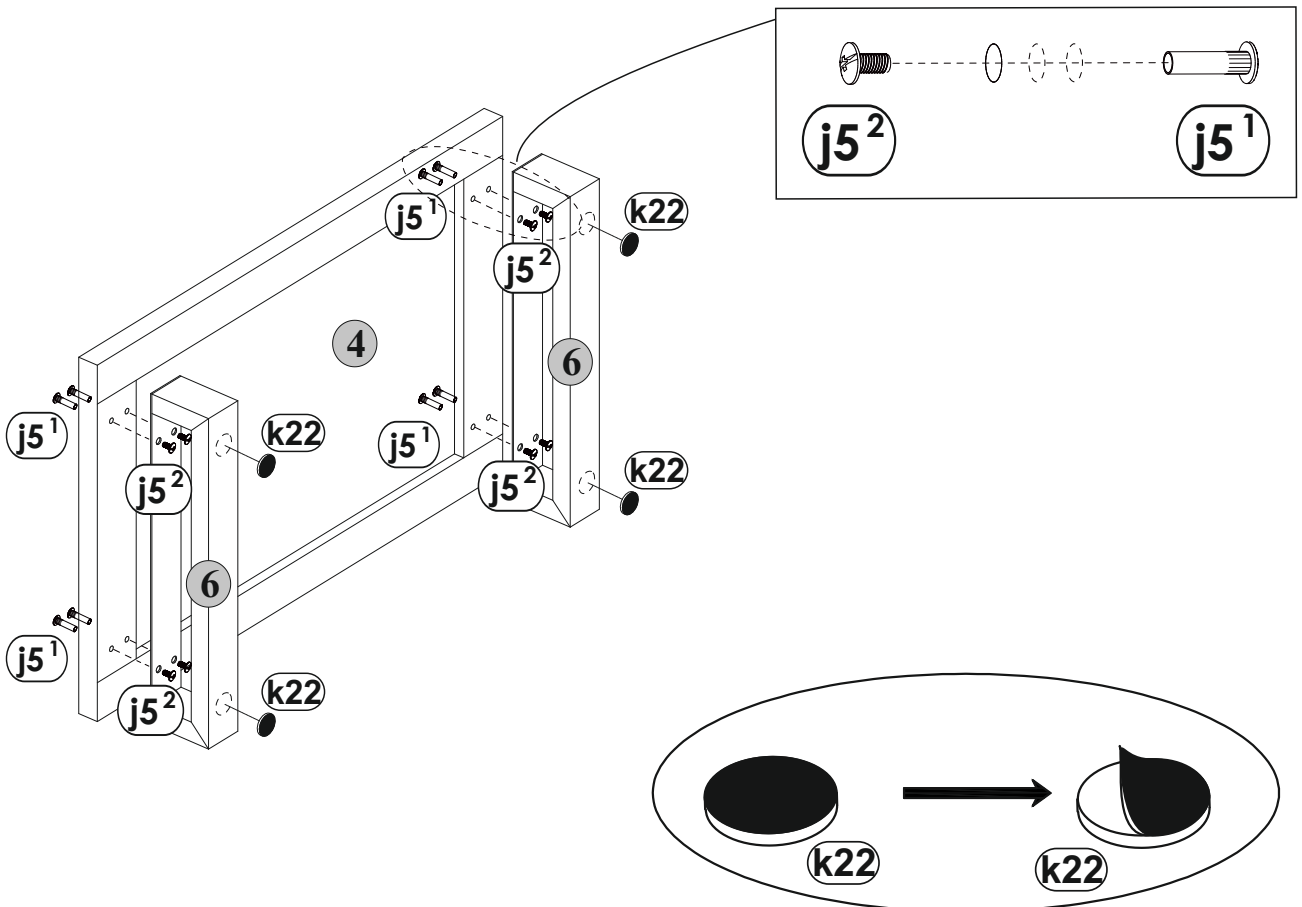




**2**

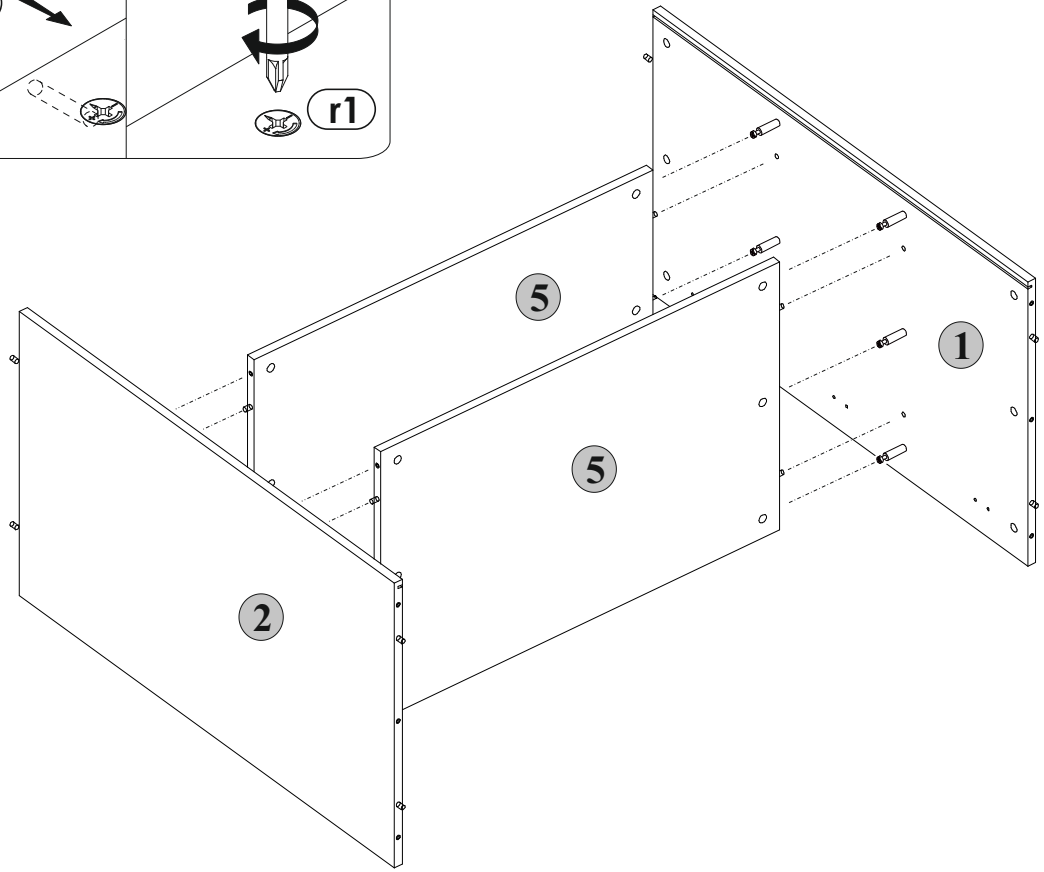
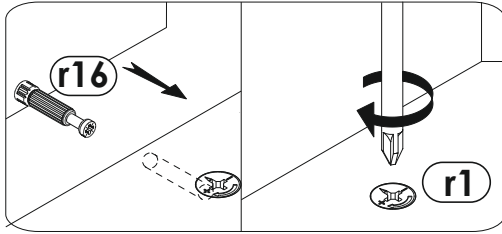


**3**

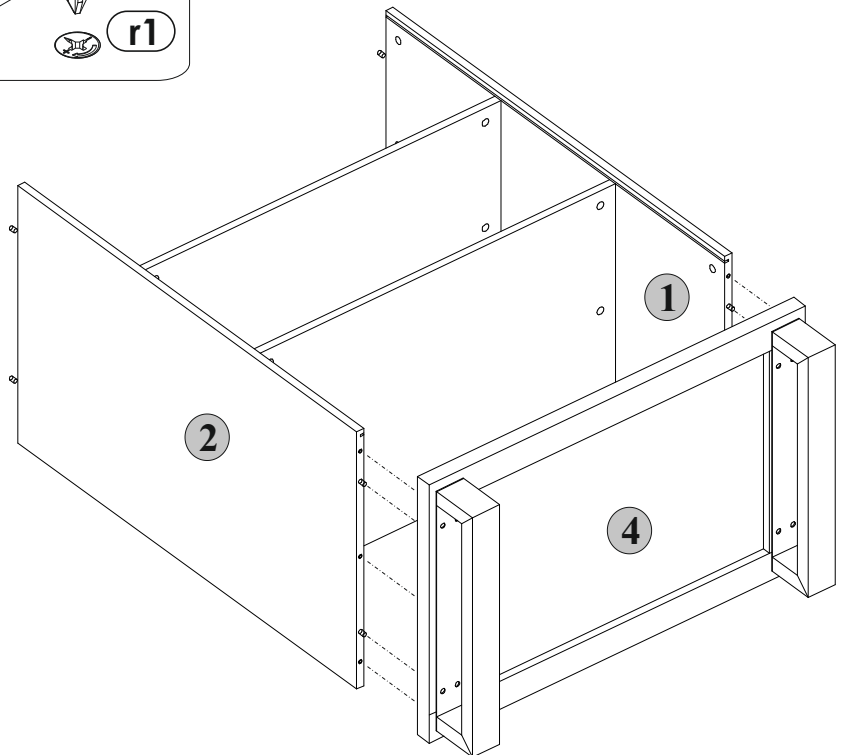
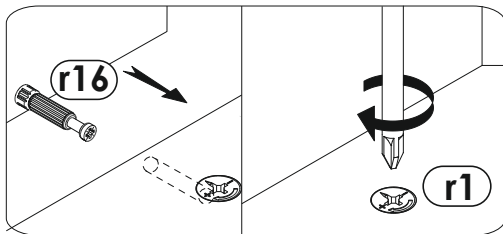


**3**

4



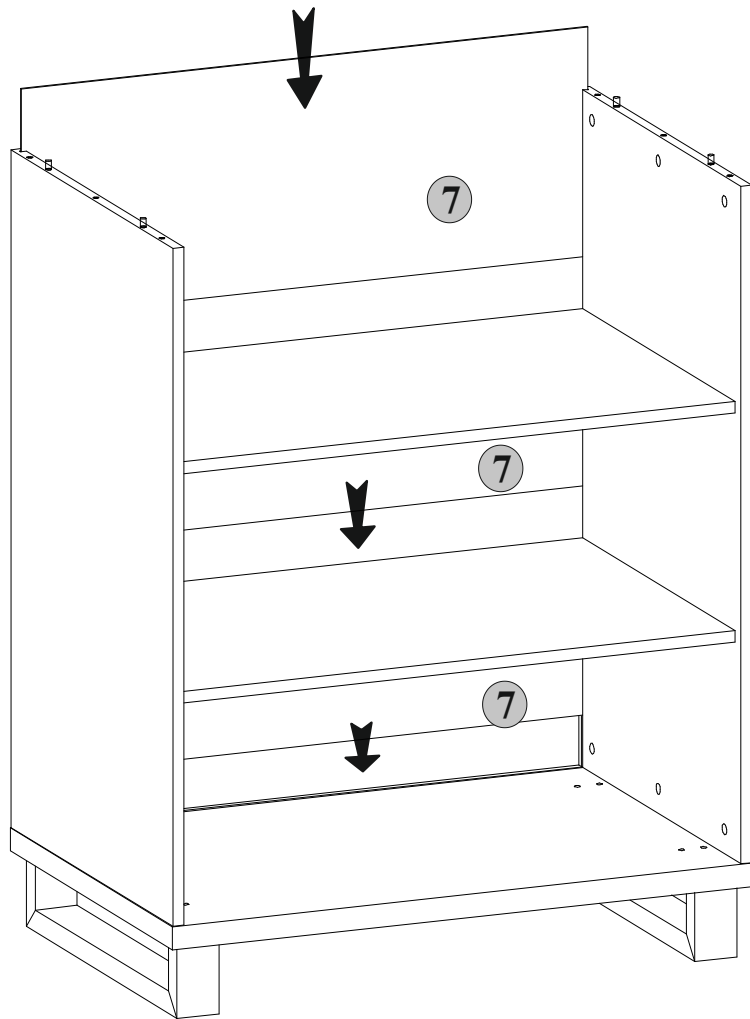
5



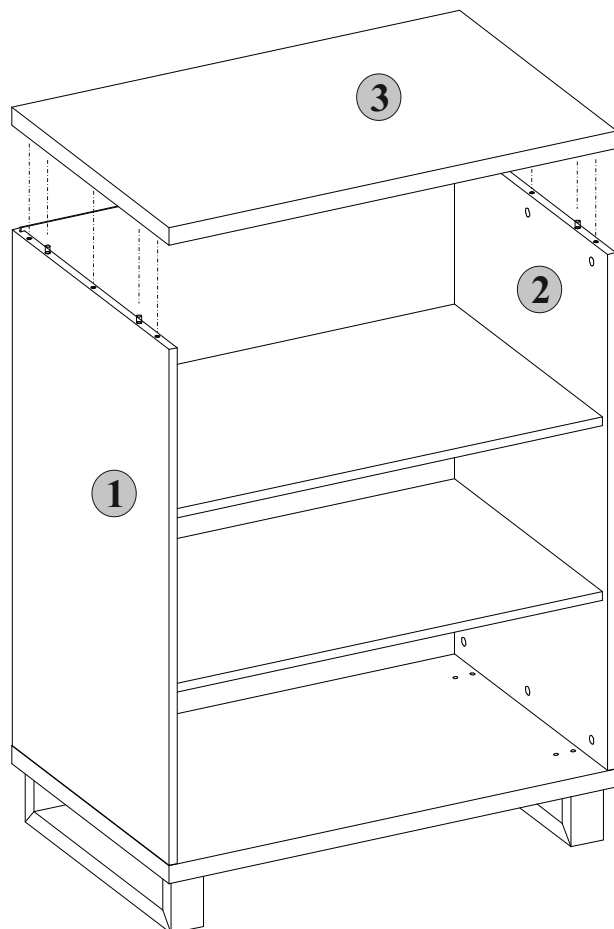
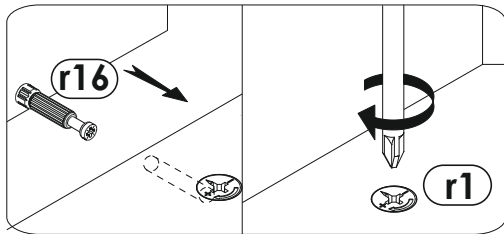
4



6

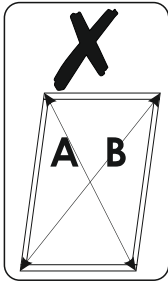
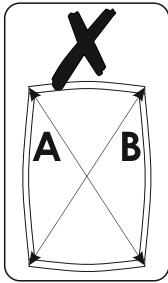
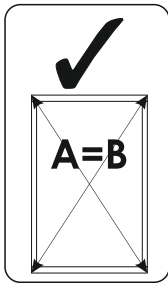
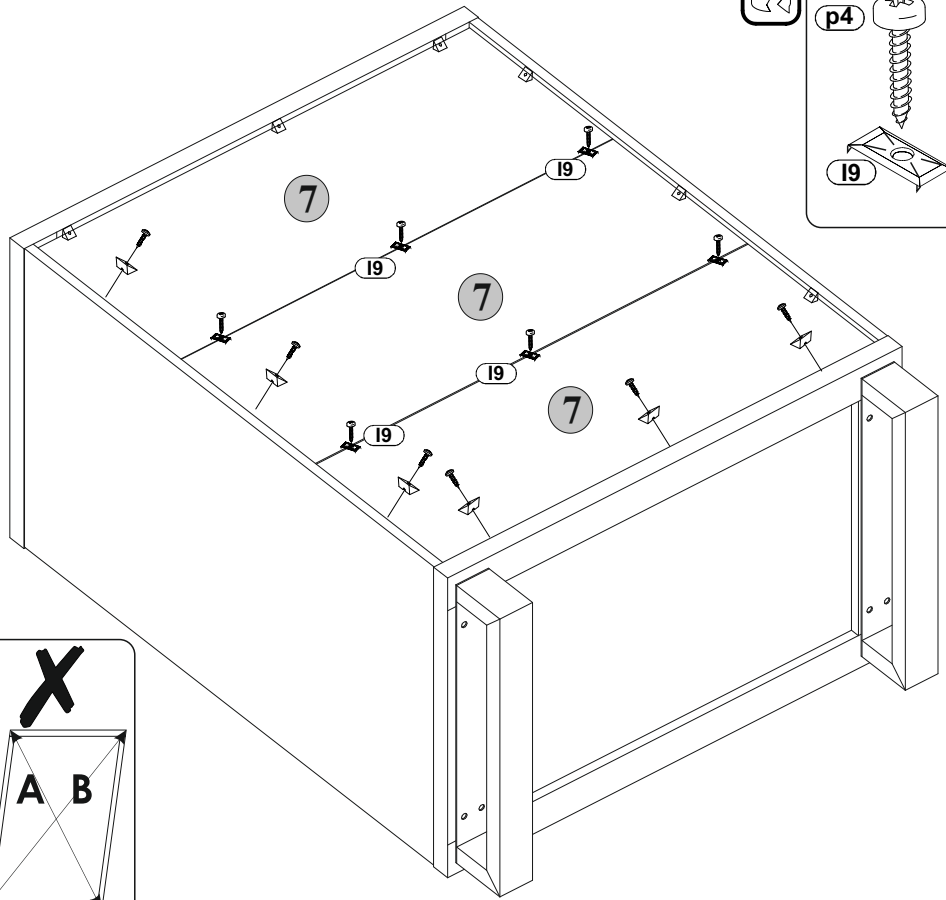
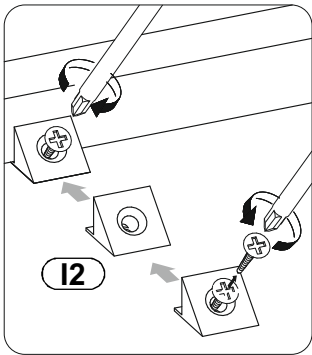


7

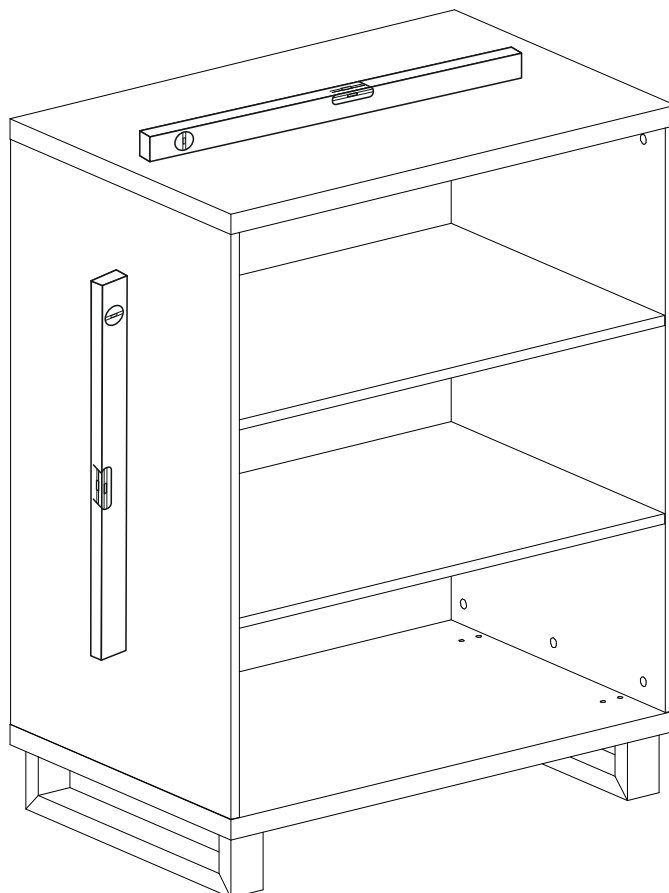


5

8

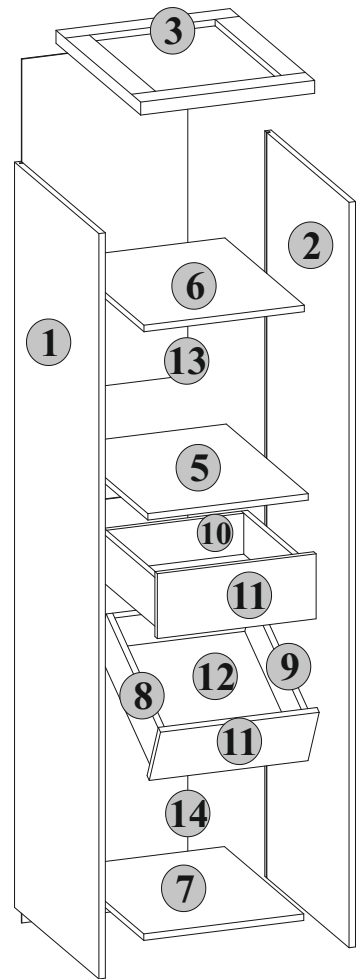
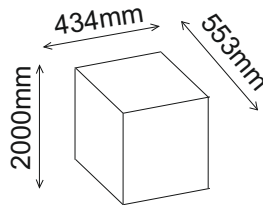
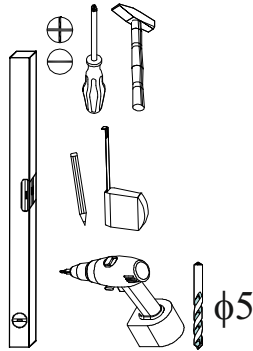
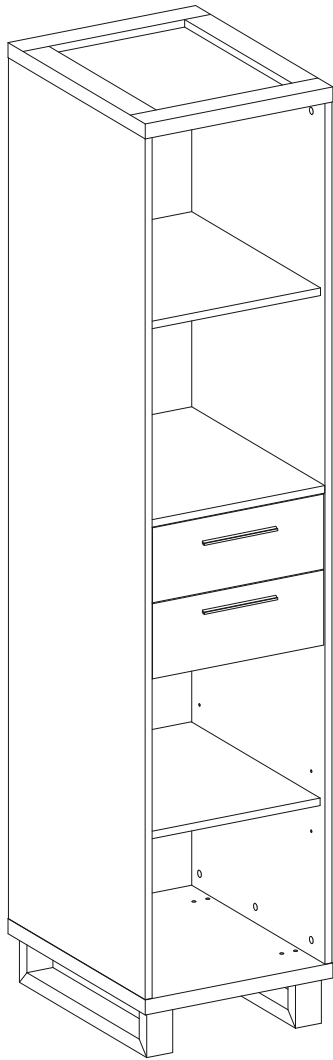


9

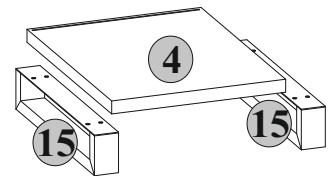


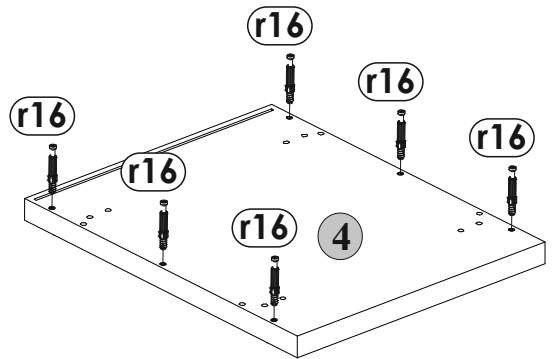
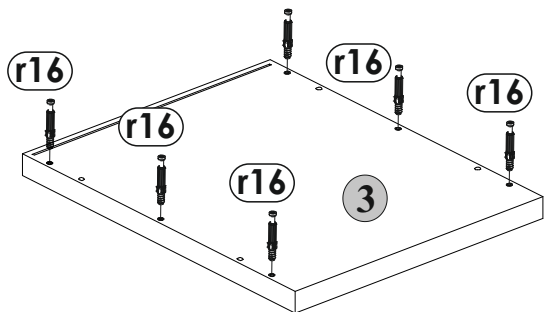
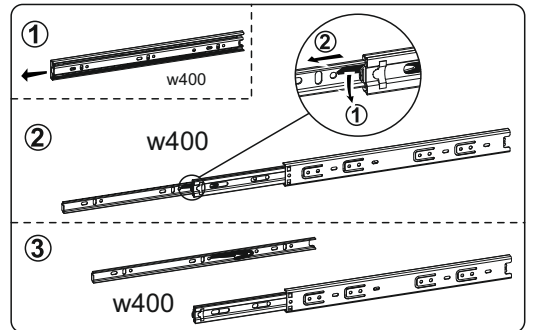
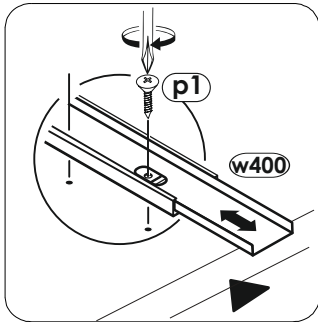
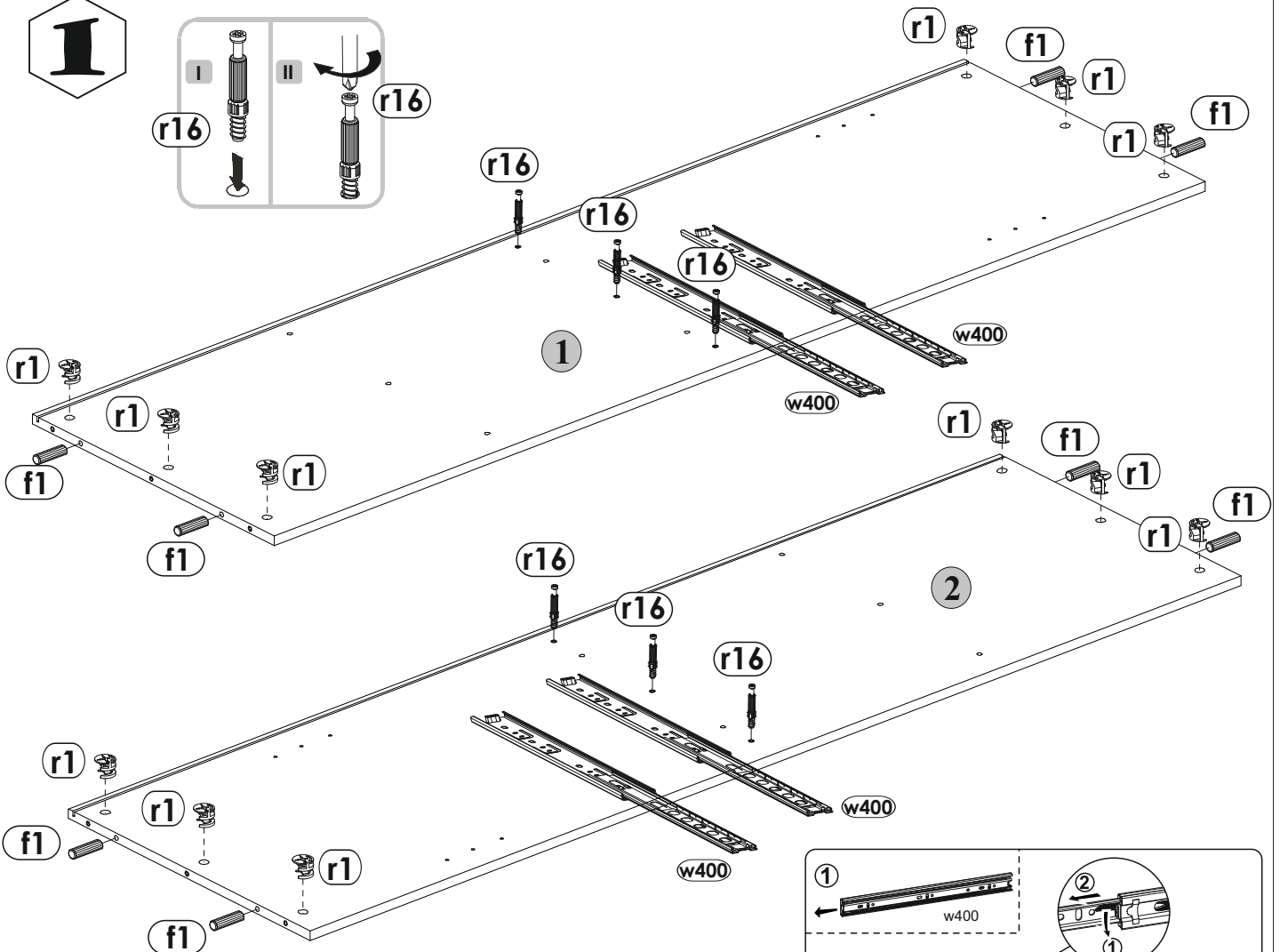
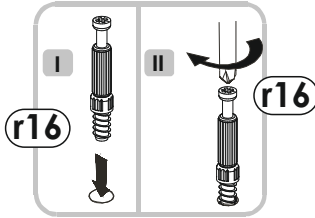
number	Measurements	Pcs.
1	1836x548	1
2	1836x548	1
3	434x550	1
4	434x550	1
5	400x533	1
6	400x516	1
7	399x516	1
8	400x120	2
9	400x120	2
10	342x120	2
11	394x160	2

12	352x394	2
13	830x414	1
14	1018x414	1
15	510x100x60	2

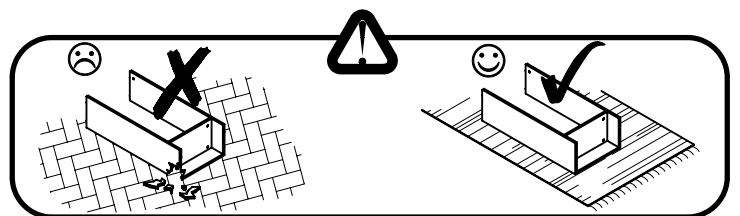
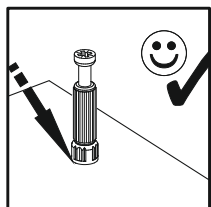
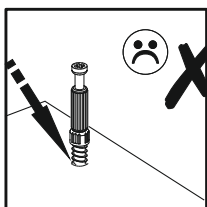


2x  c234	3x  3.5 x 20 mm p4	2x  o21	1x  z1
26x  φ15 #16 r1	26x  s2	3x  i9	4x  d1
4x  φ3.5x25 mm p8	26x  r16	2x  w400	24x  i2
4x  φ24 mm k22	18x  φ8x30 mm f1	8x  j5 <sup>1</sup>	8x  j5 <sup>2</sup>
			8x  7x50 e1

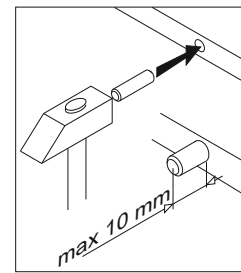
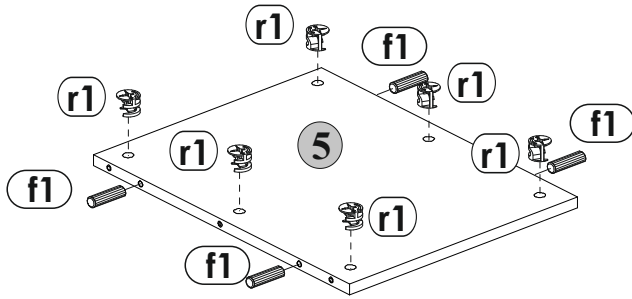
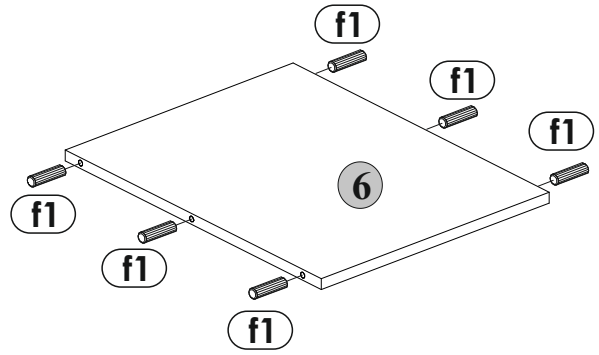
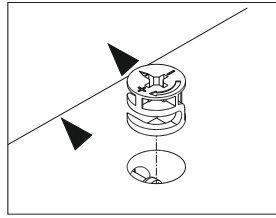




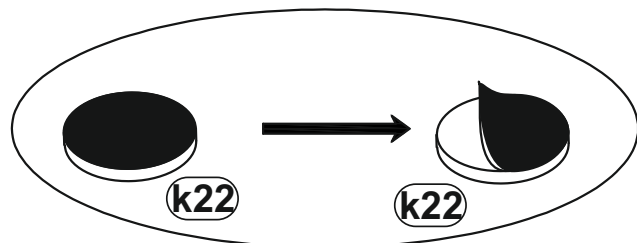
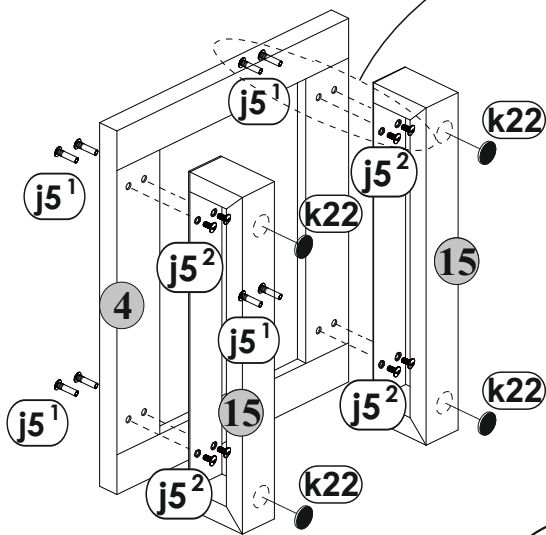
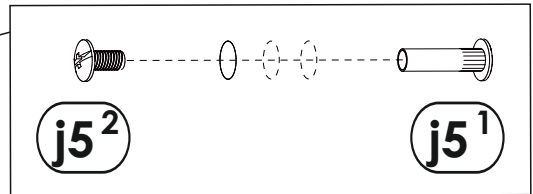
2



**2**

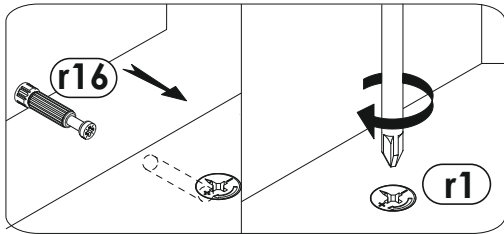
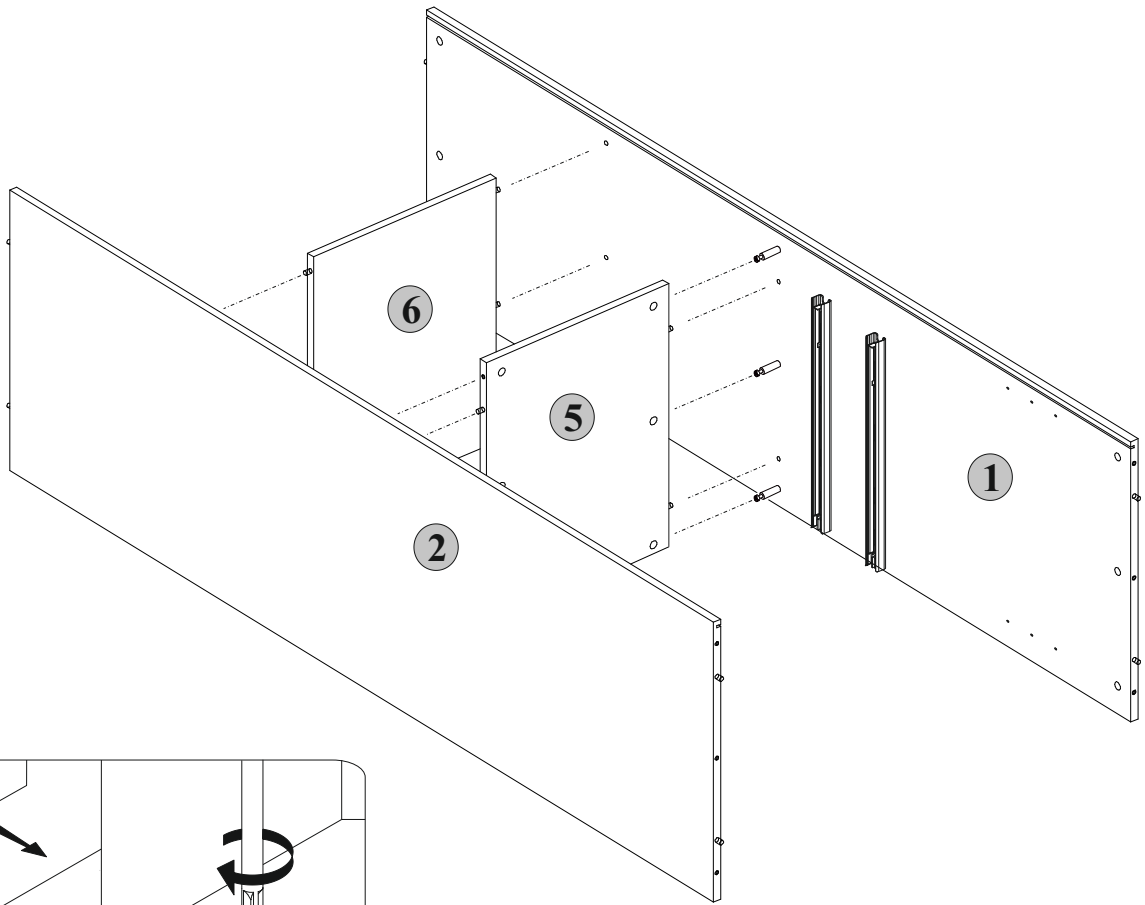


**3**

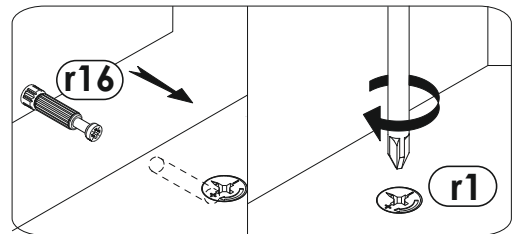
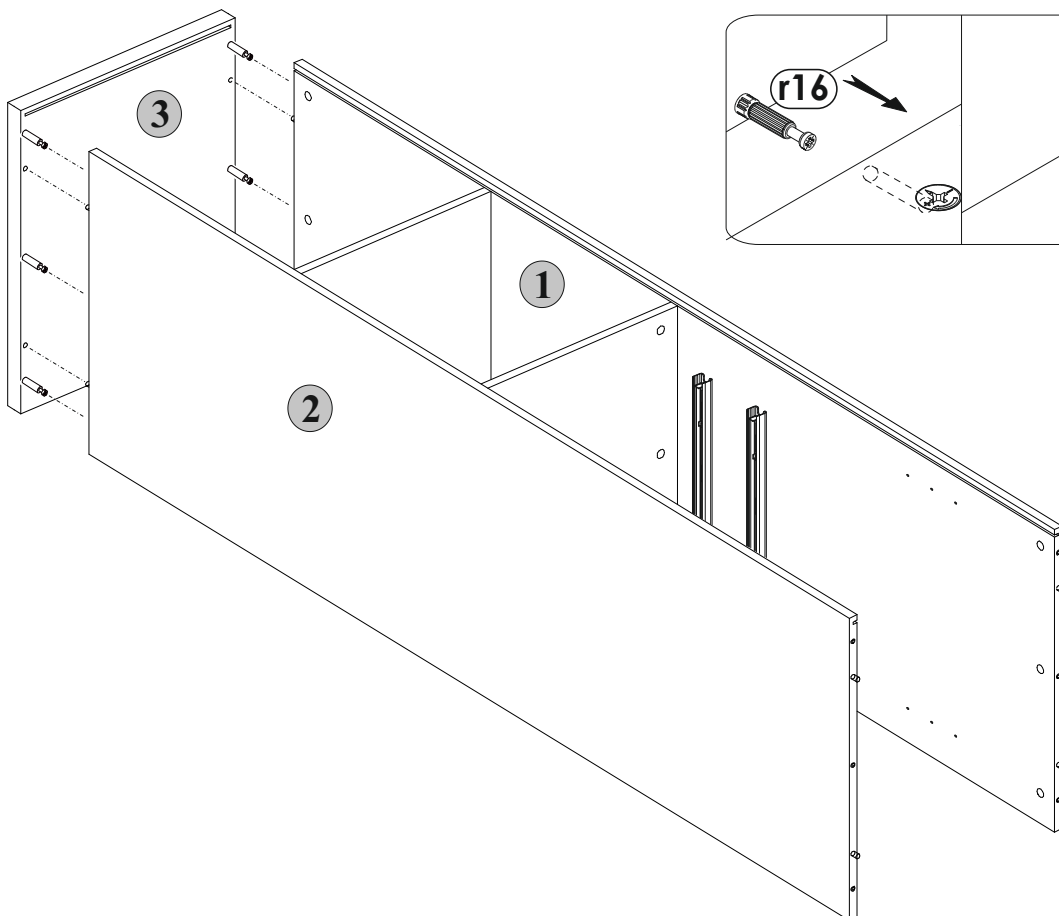


**3**

4

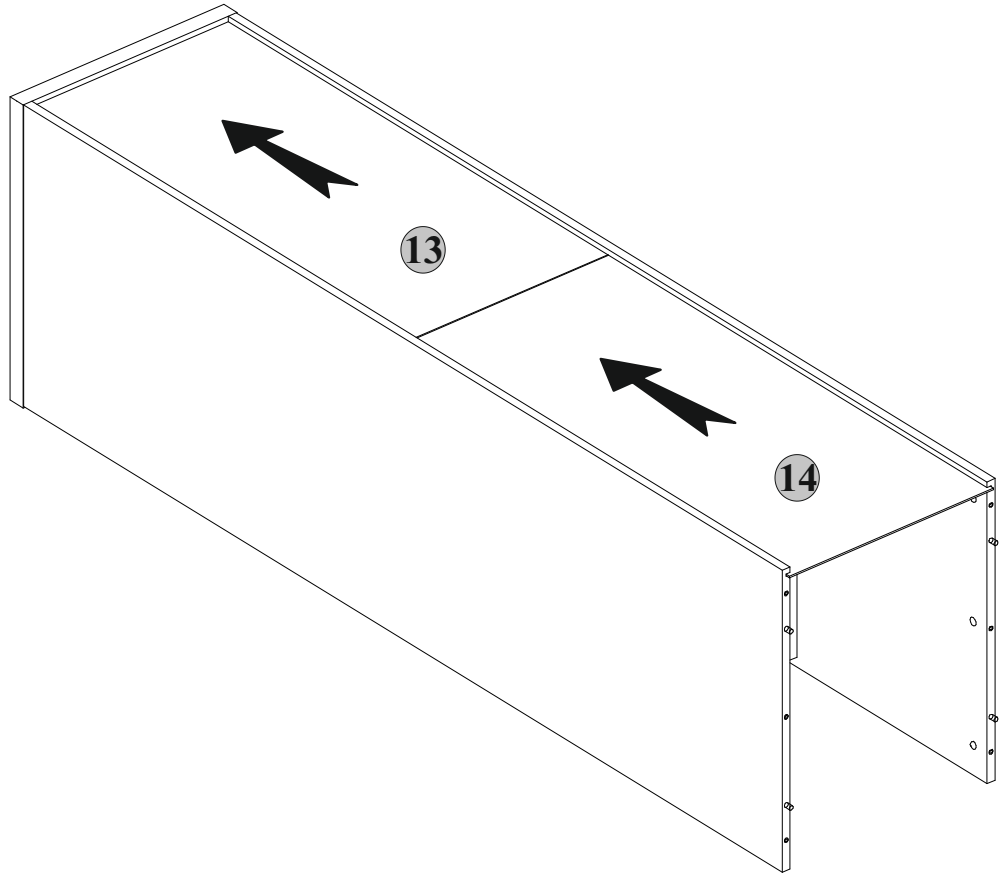


5

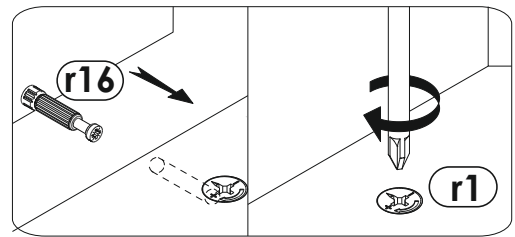
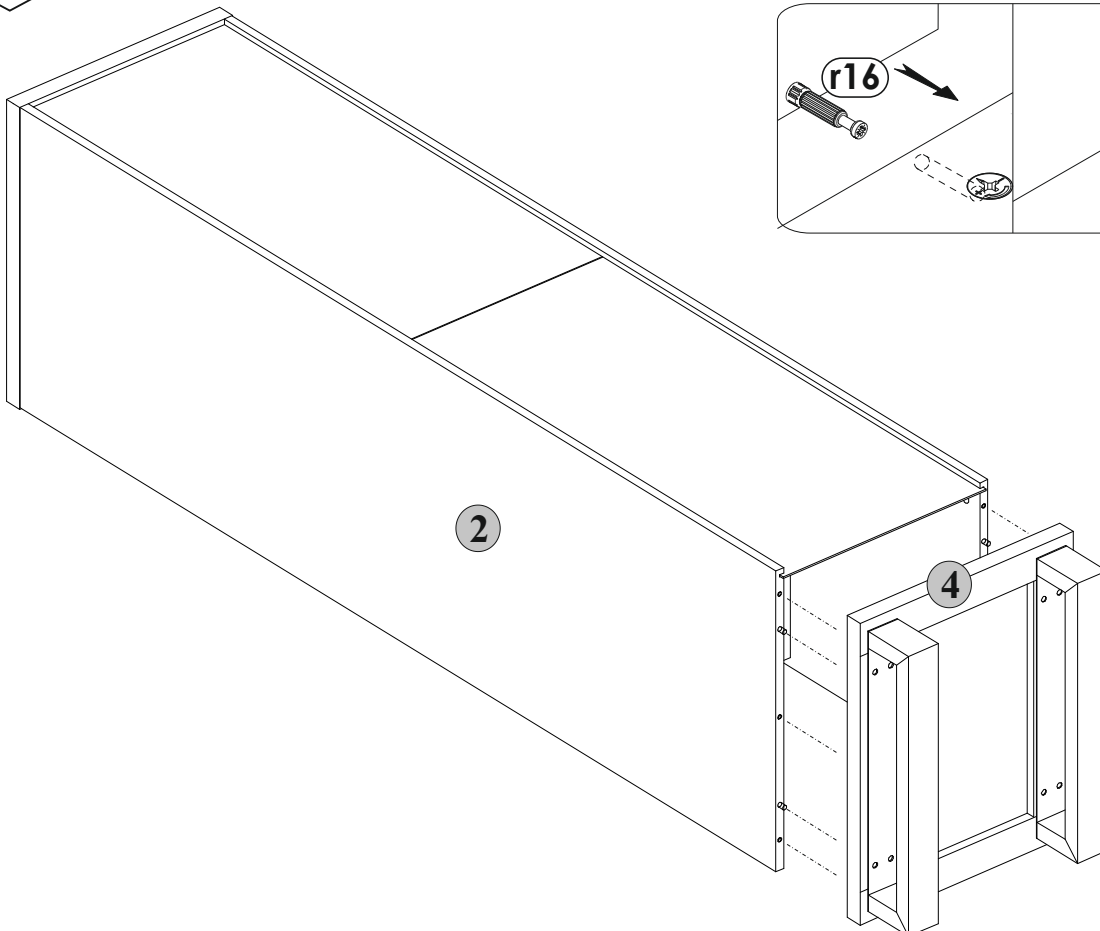


4

**6**

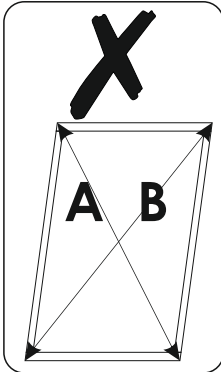
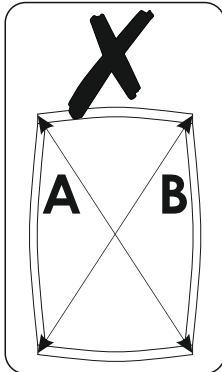
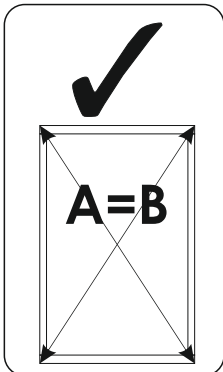
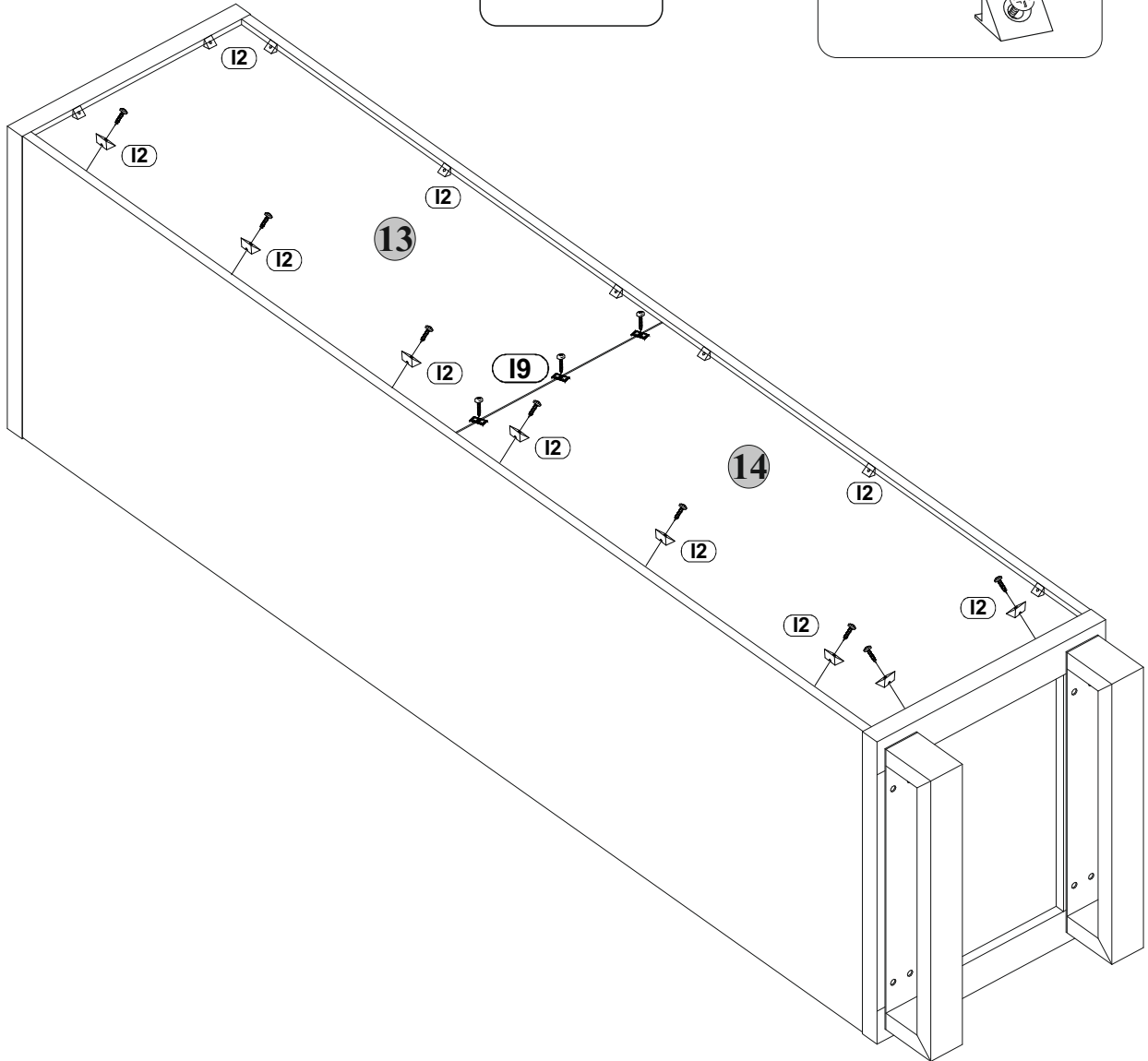
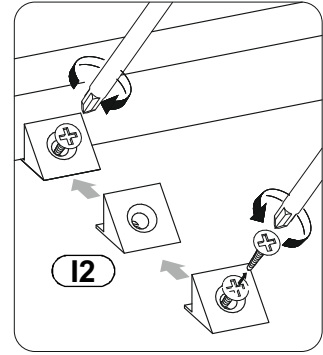
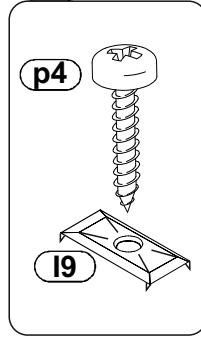


**7**



**5**

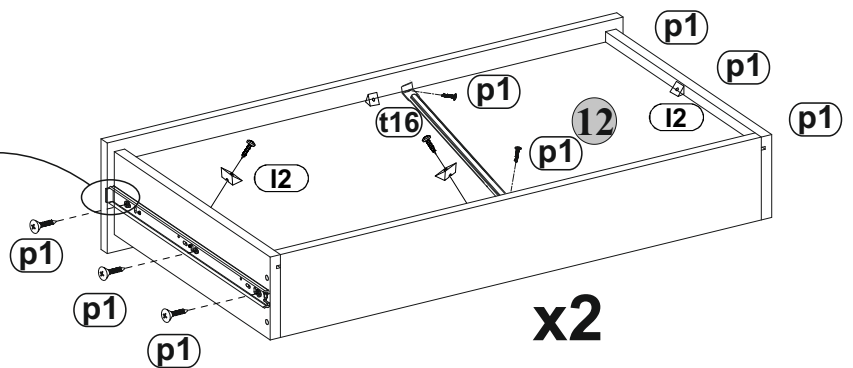
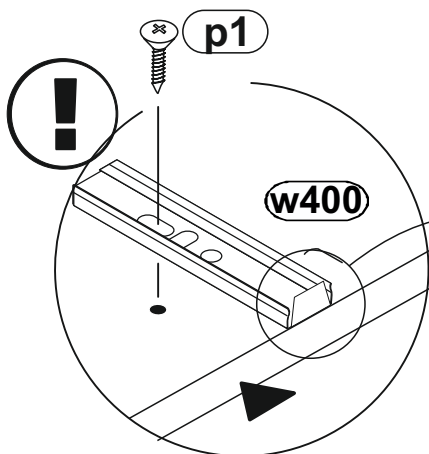
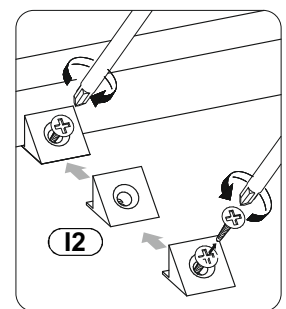
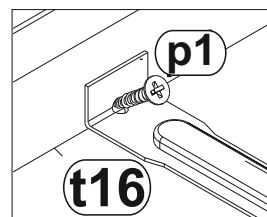
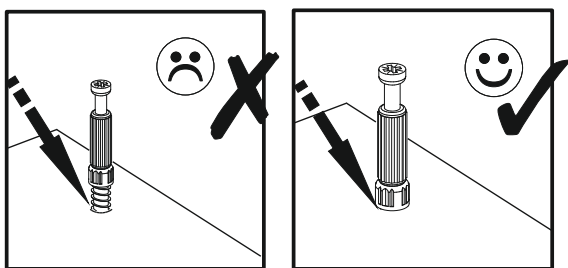
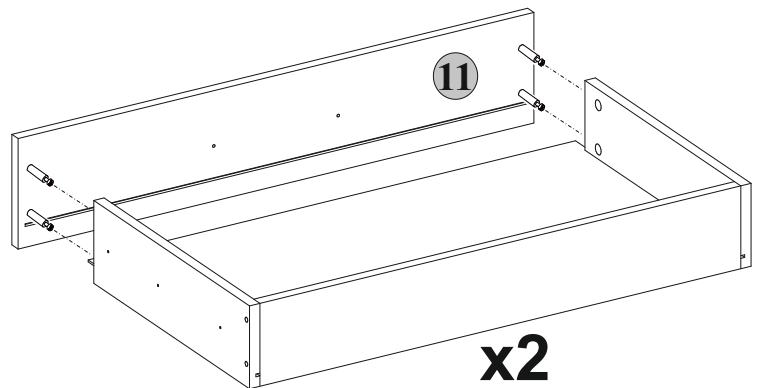
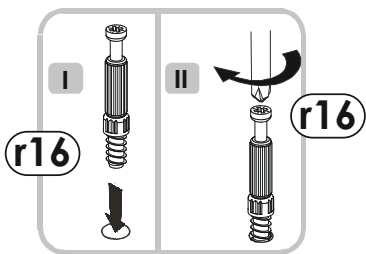
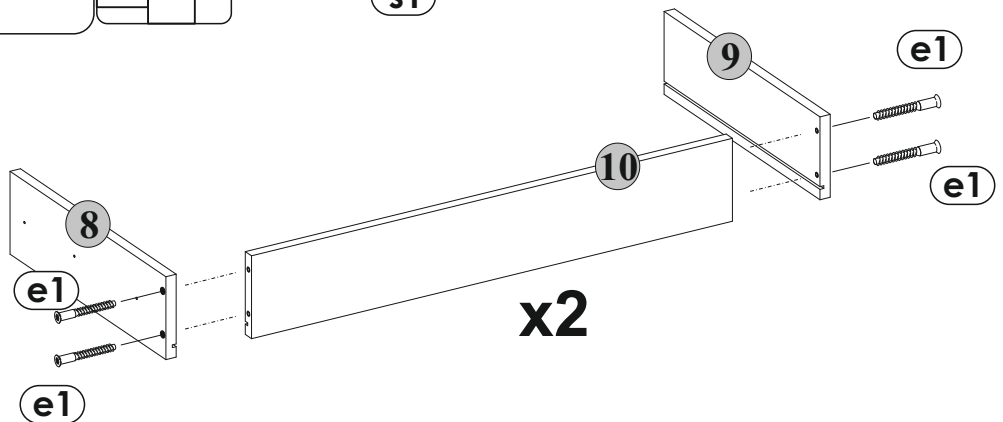
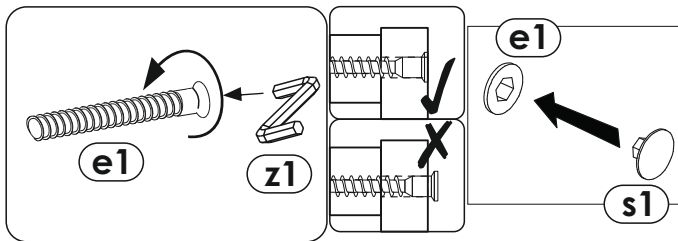
8



6

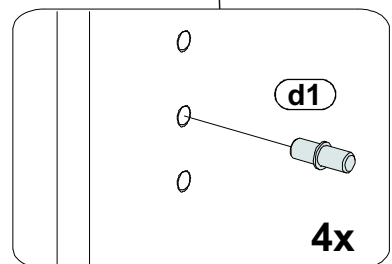
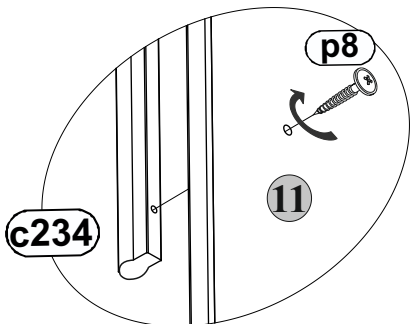
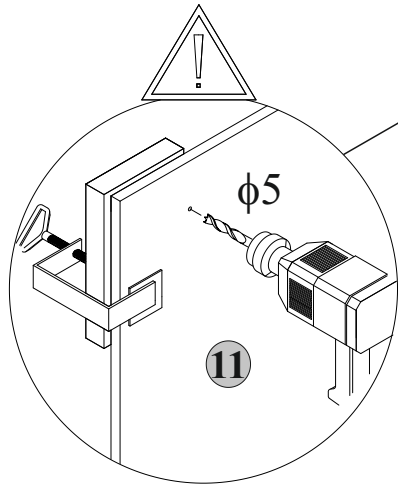
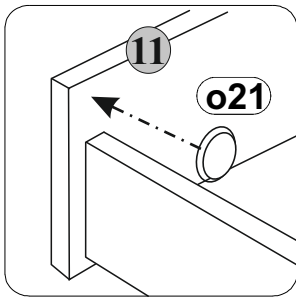
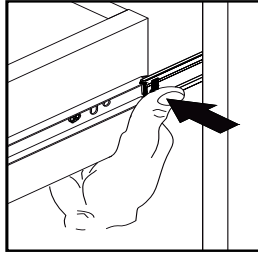
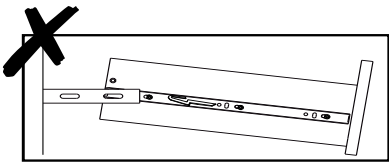
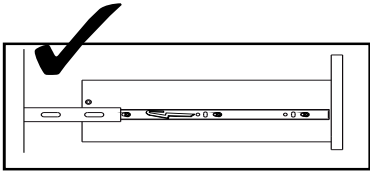
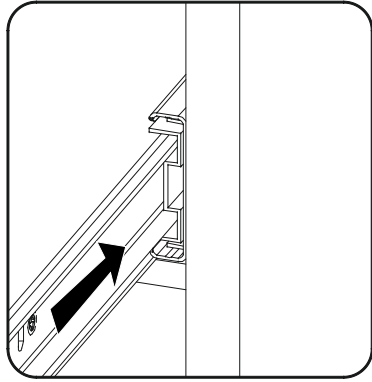


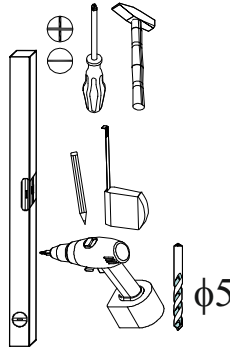
9



7

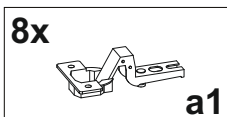
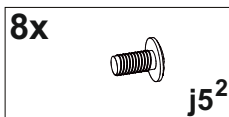
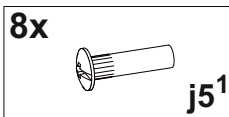
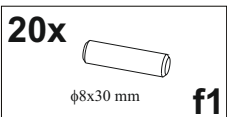
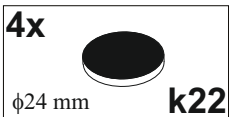
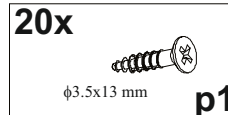
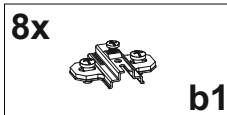
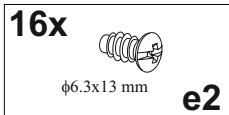
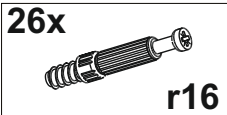
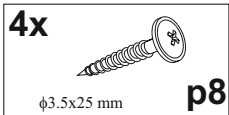
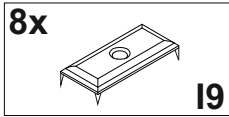
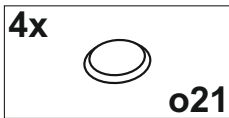
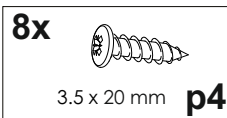
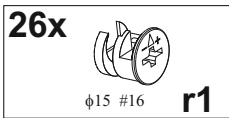
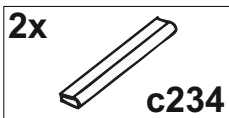
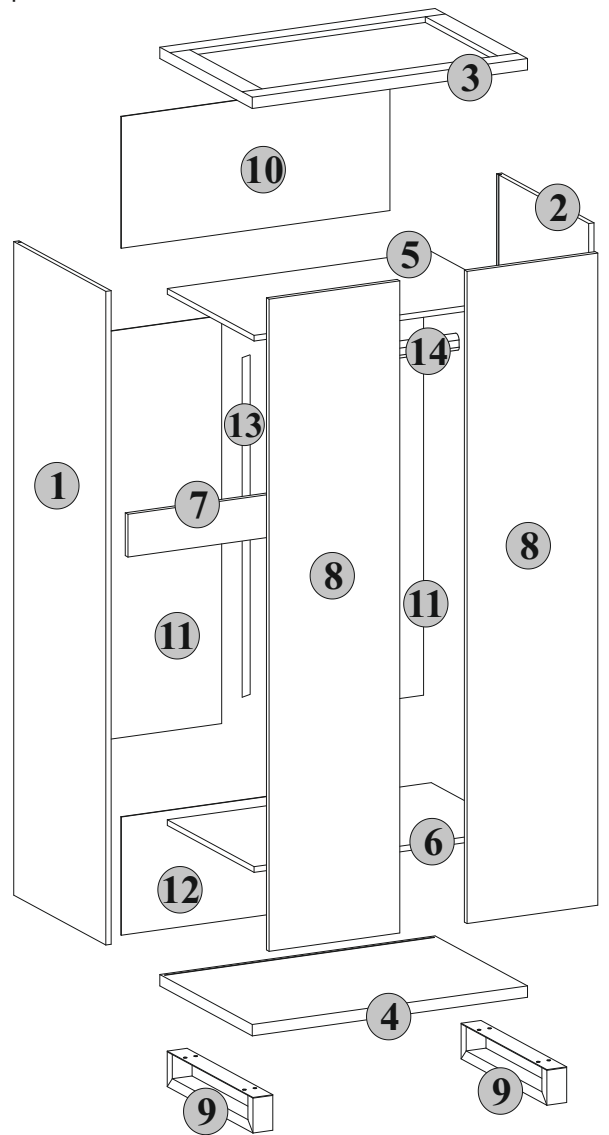
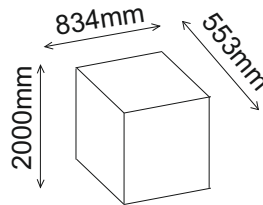
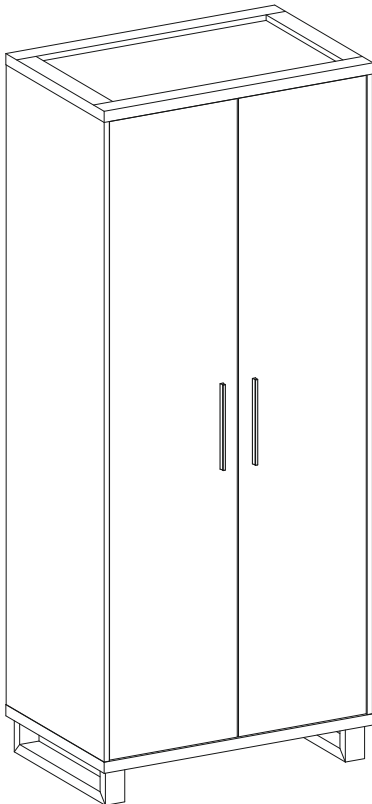
**10**



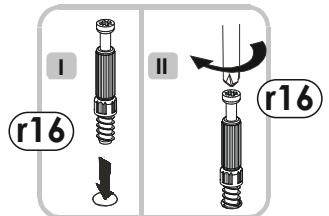
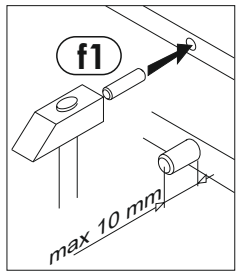
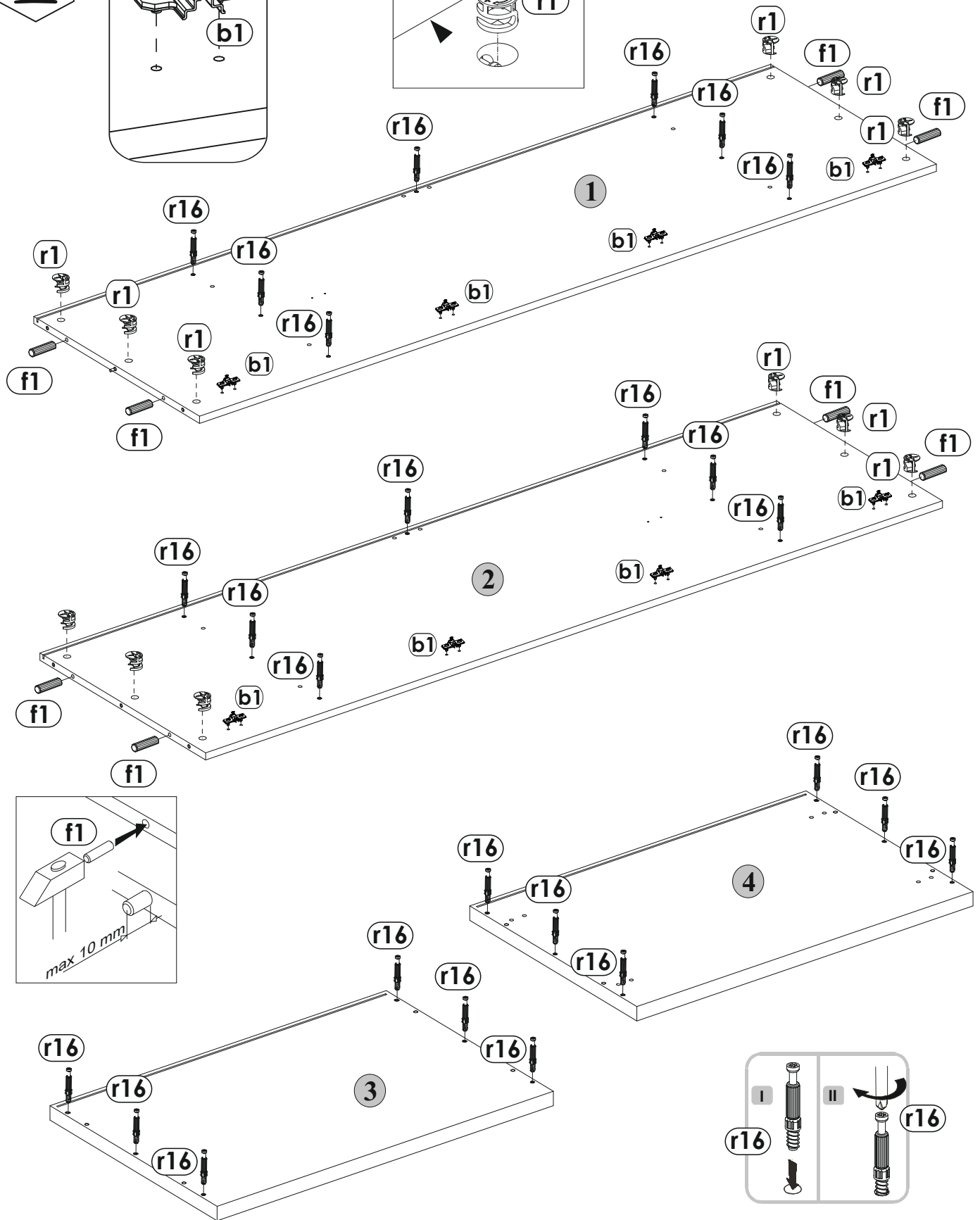
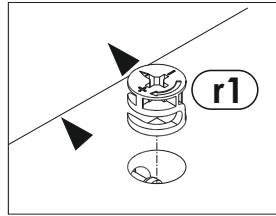
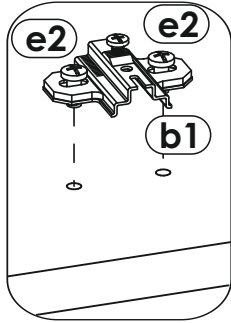


number	Measurements	Pcs.
1	1836x548	1
2	1836x548	1
3	834x550	1
4	834x550	1
5	800x516	1
6	800x516	1
7	800x120	1
8	1832x396	2
9	510x100x60	2
10	370x814	1
11	1146x406	2

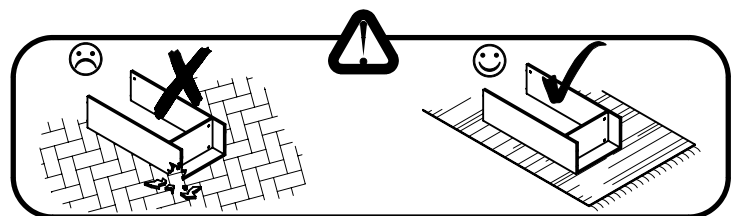
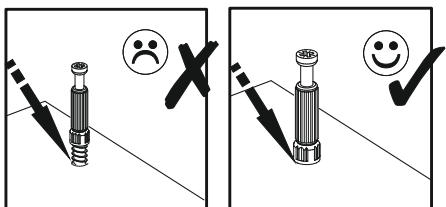
12	332x814	1
13	1146x	1
14	796x	1



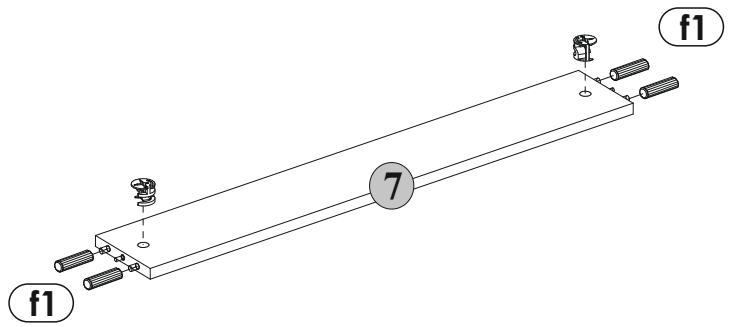
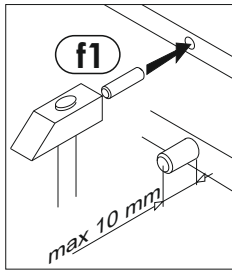
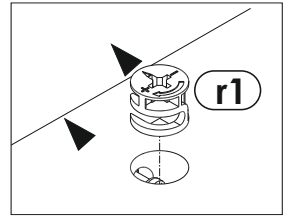
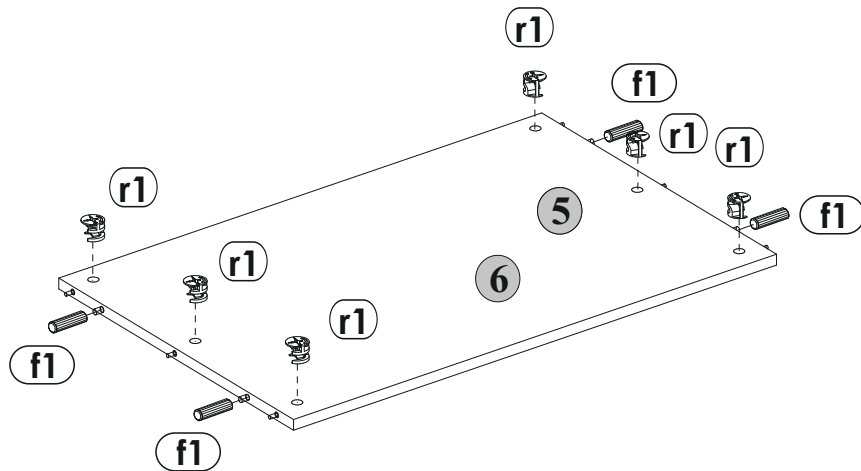
# I



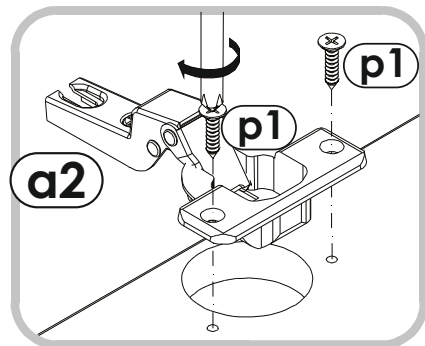
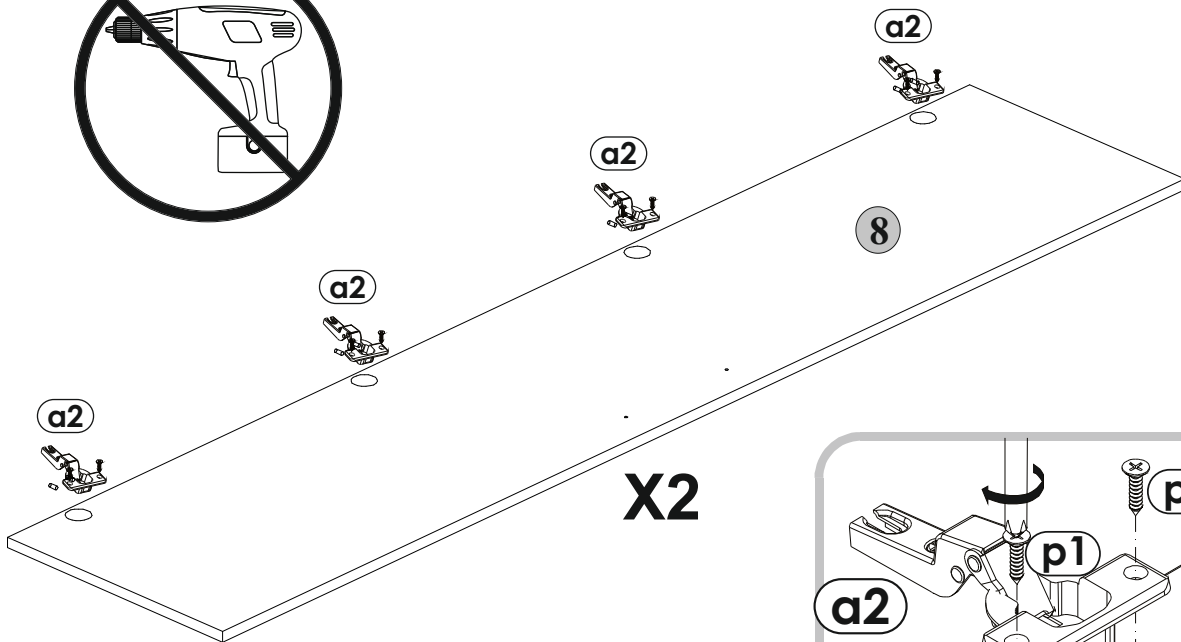
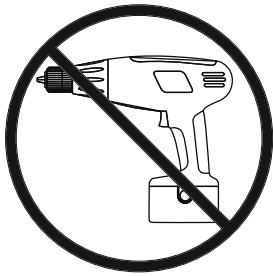
# 2



**2**

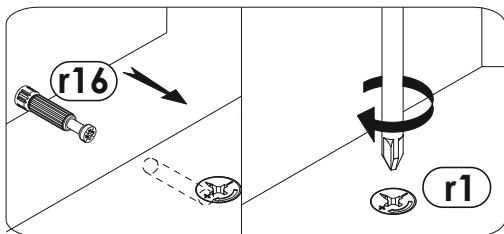
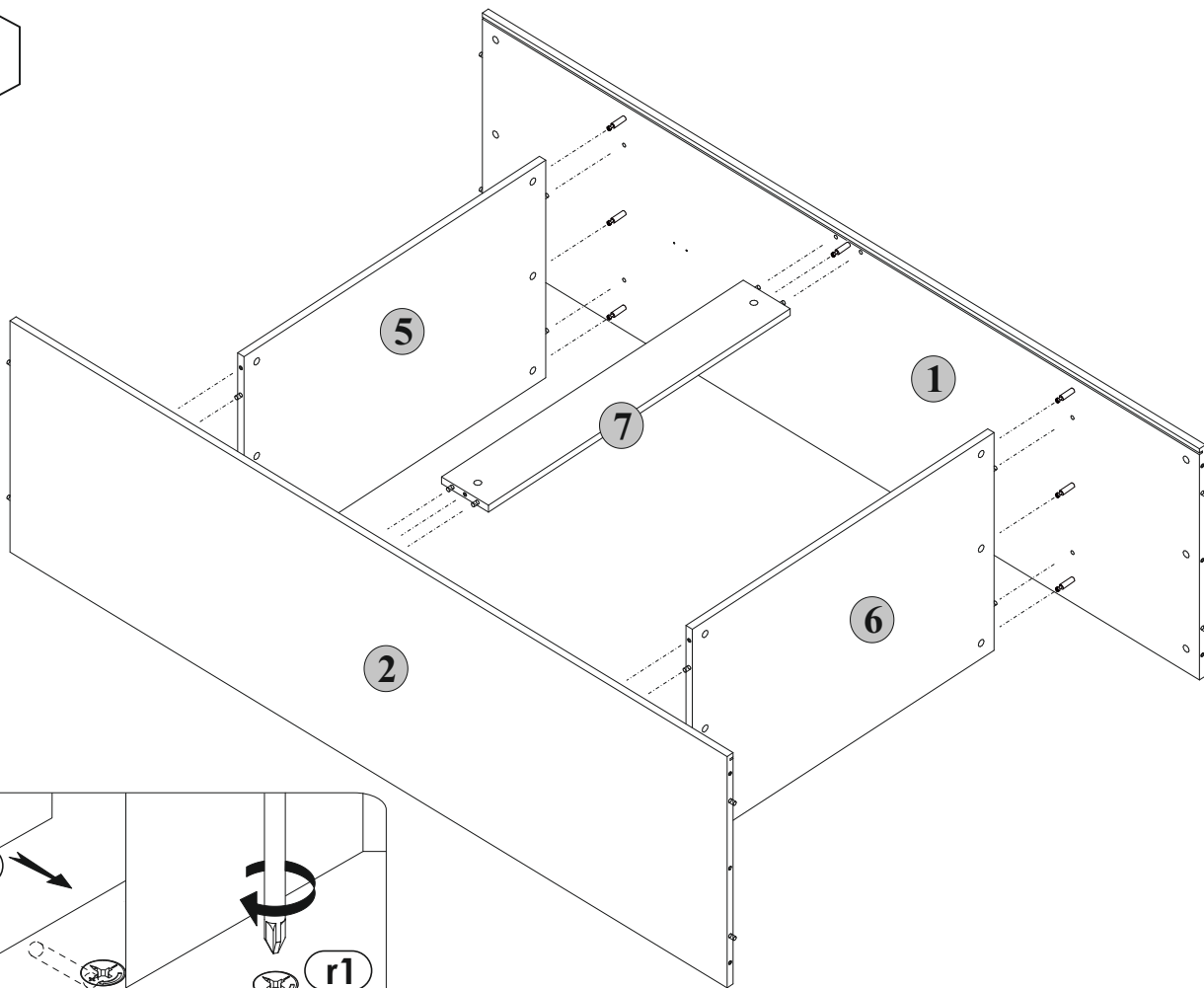


**3**

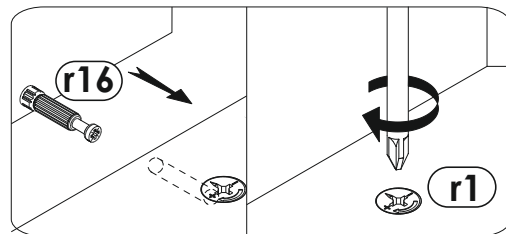
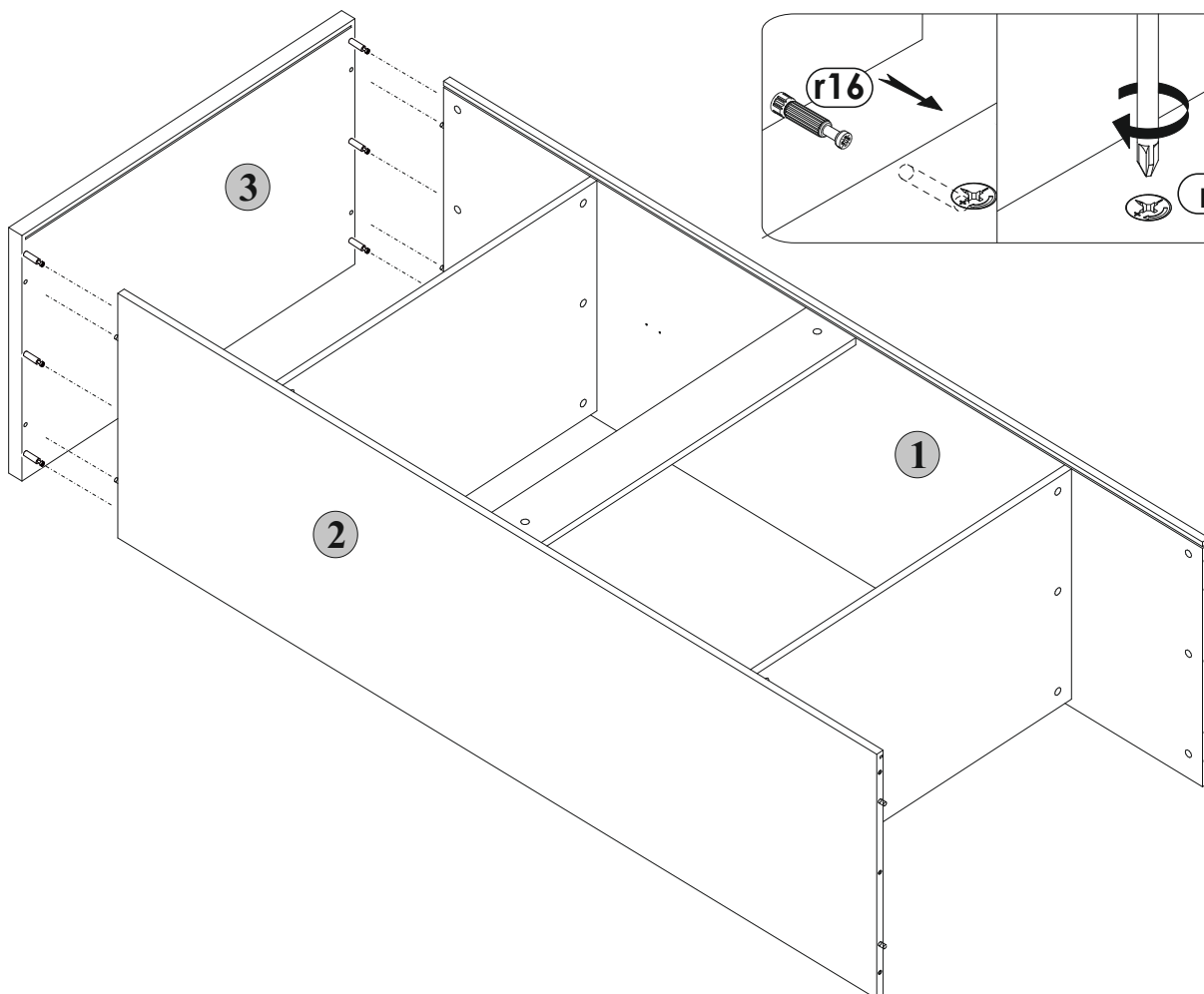


**3**

4

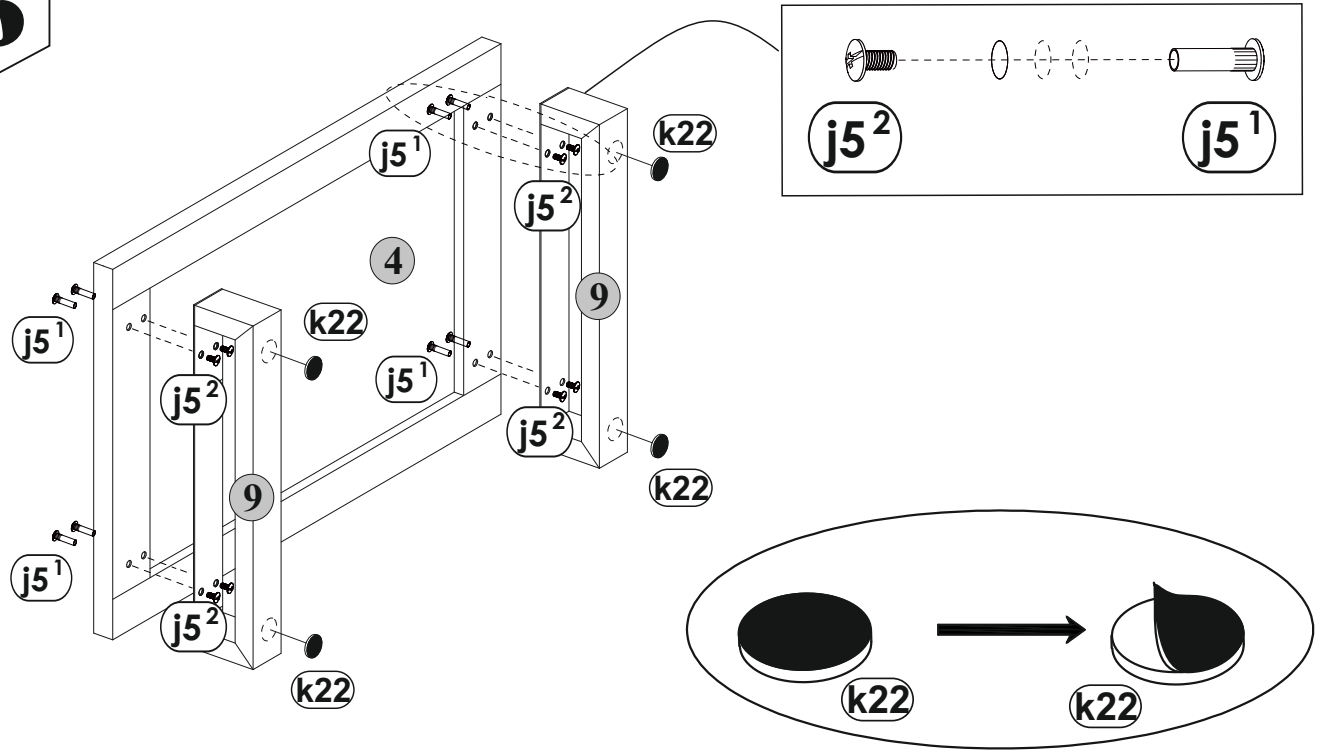


5

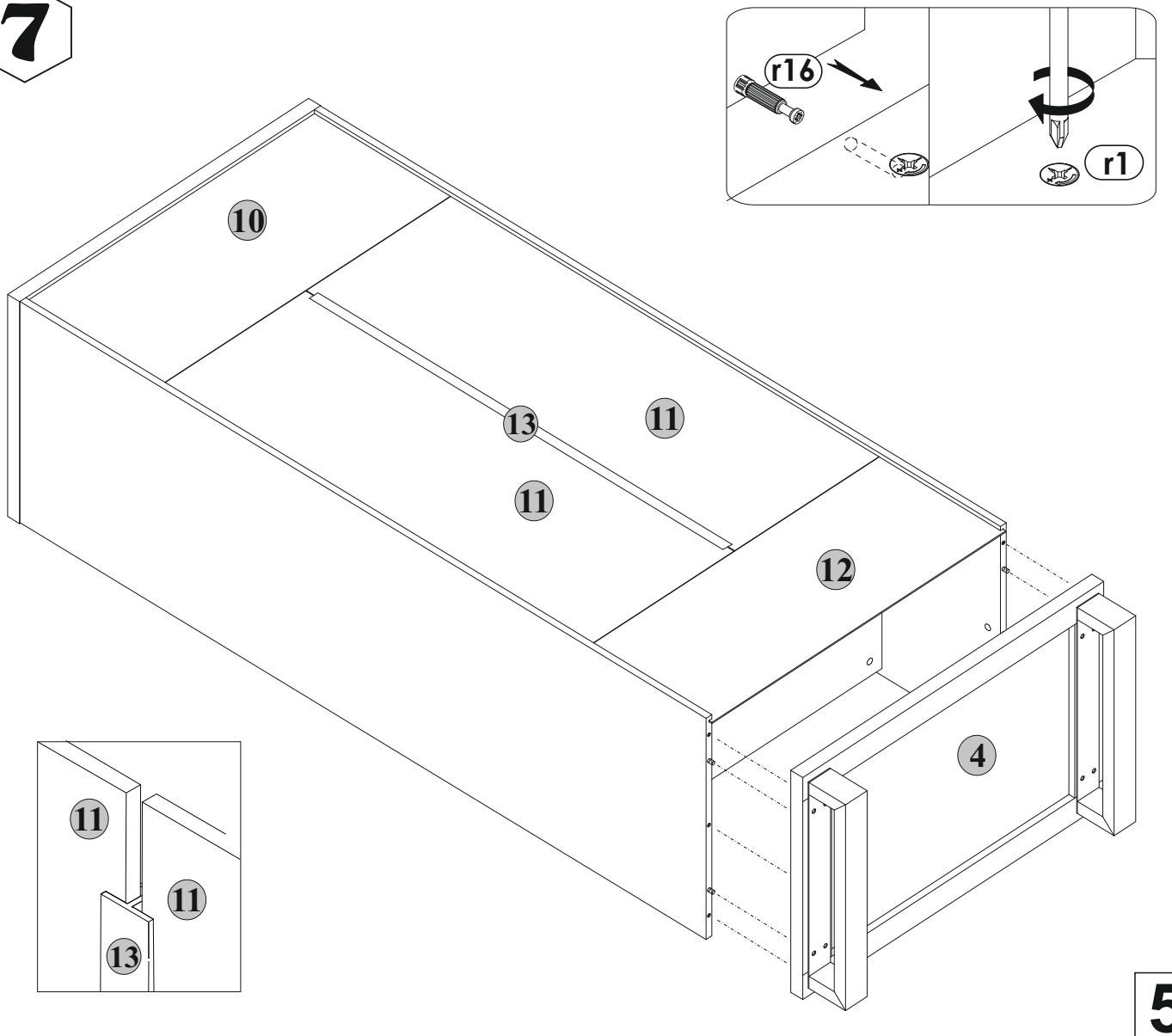


4

6

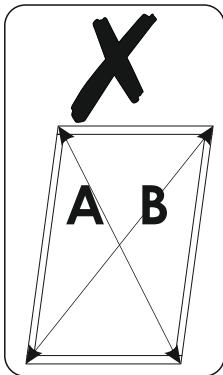
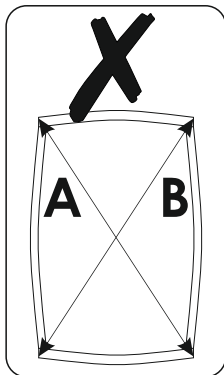
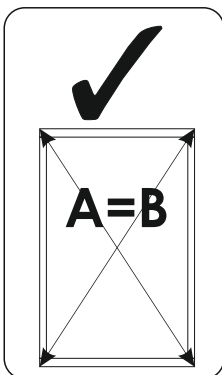
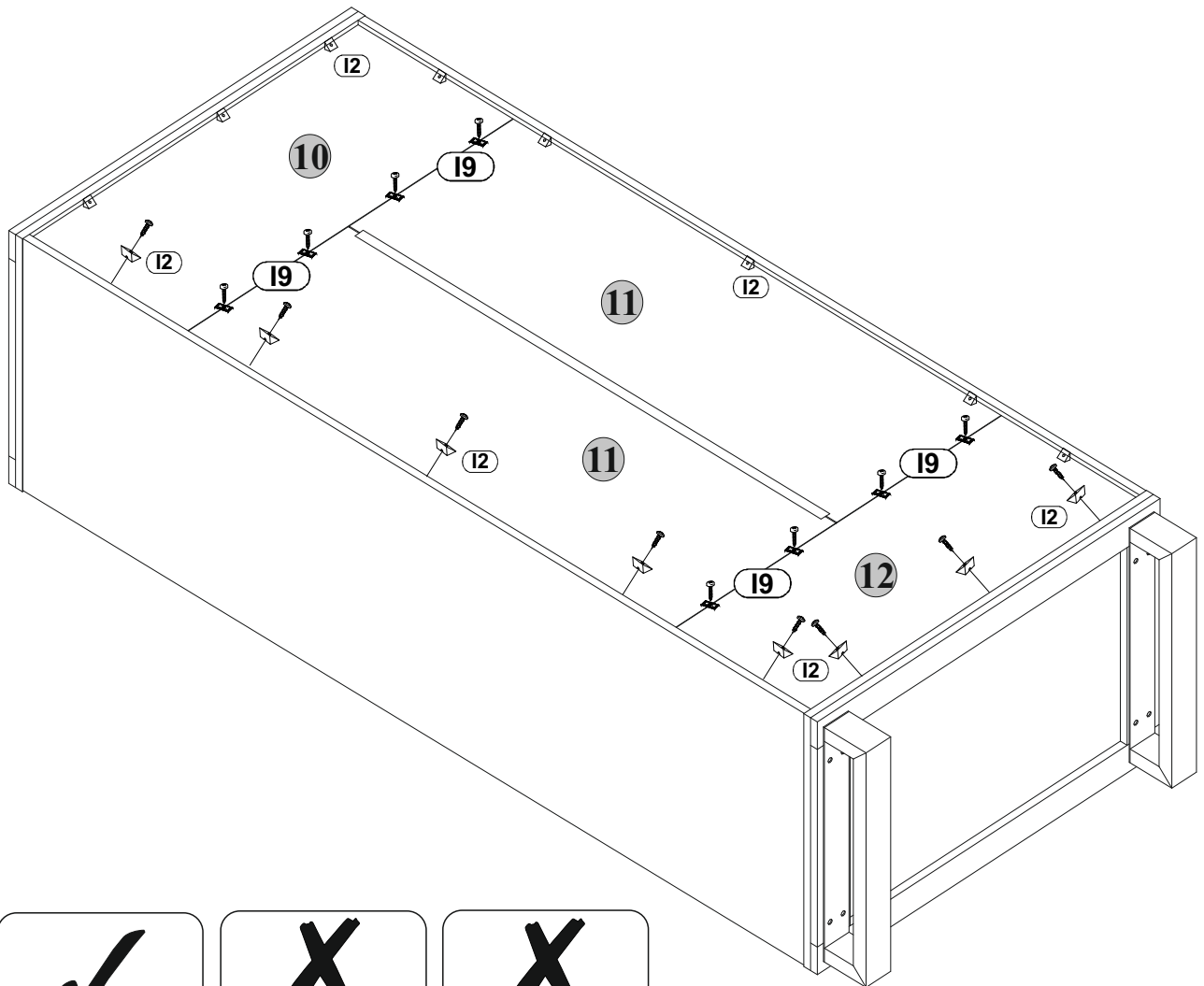
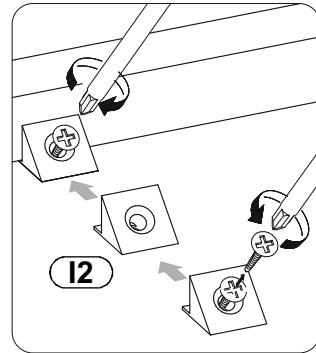
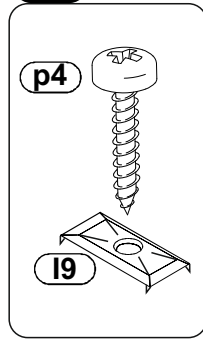


7



5

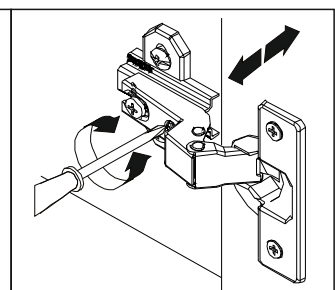
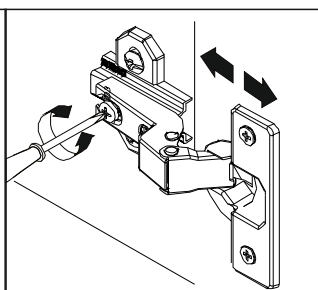
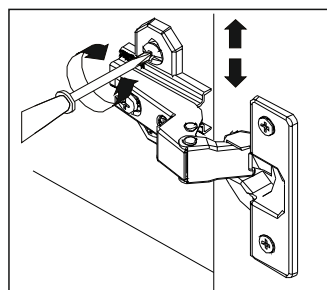
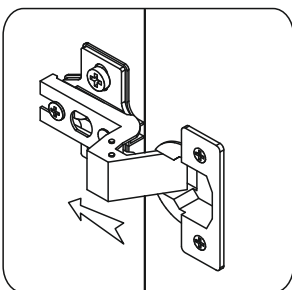
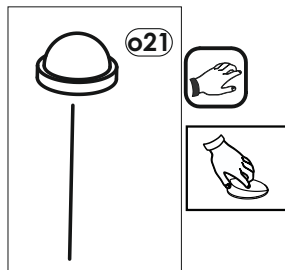
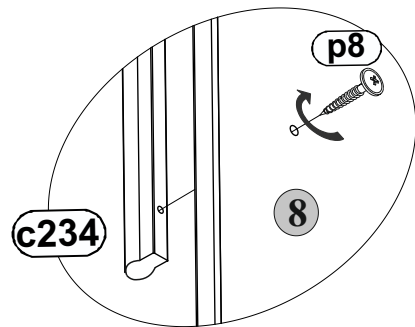
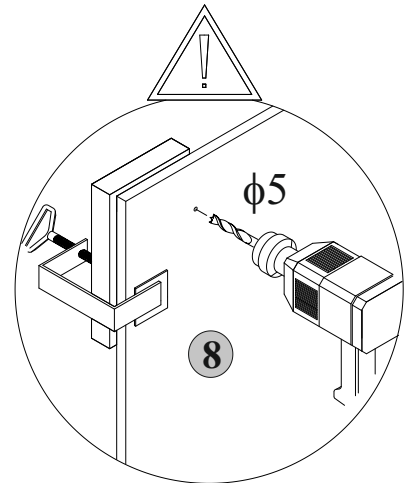
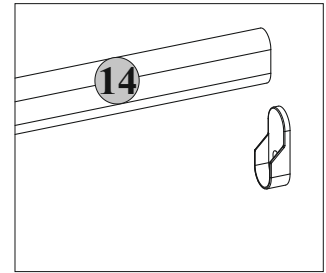
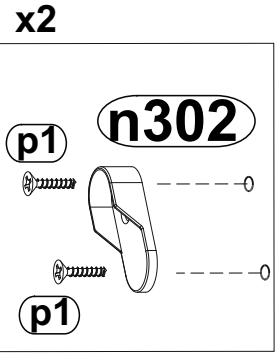
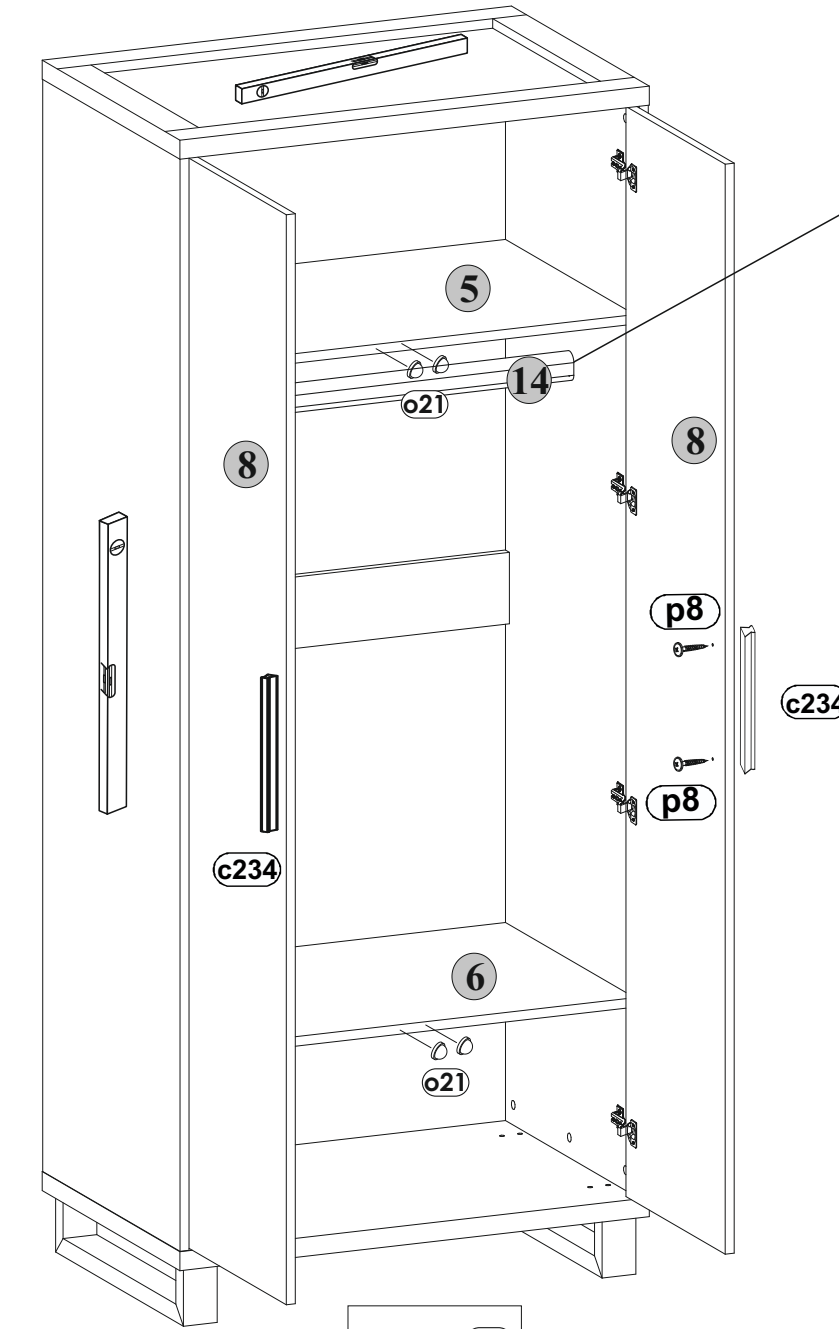
8



6



9



7