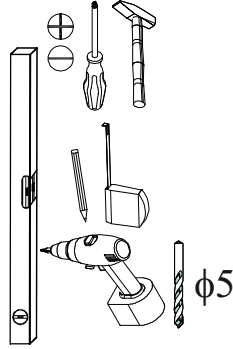
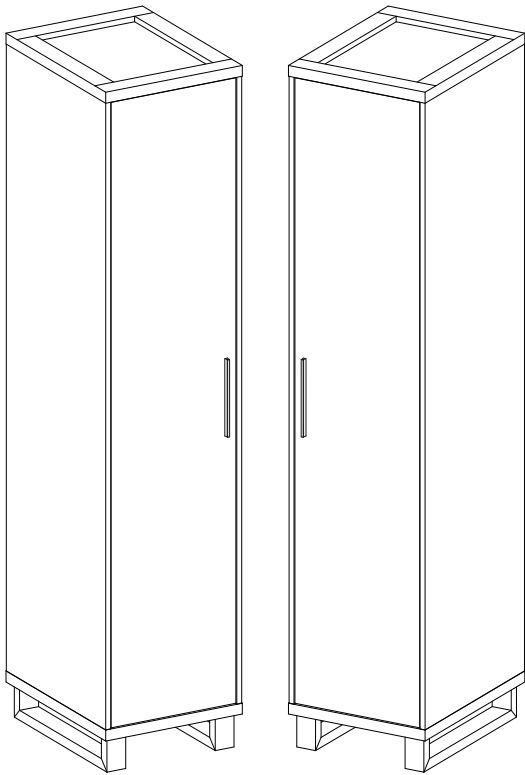
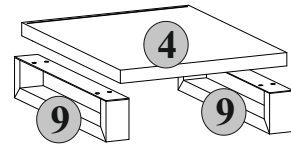
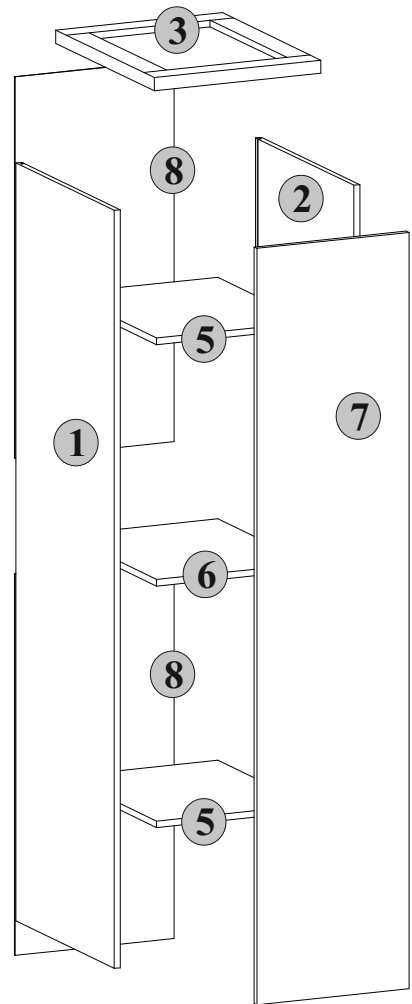
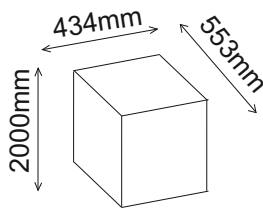
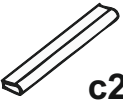
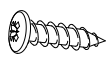


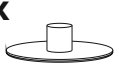
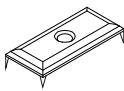


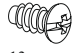

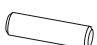






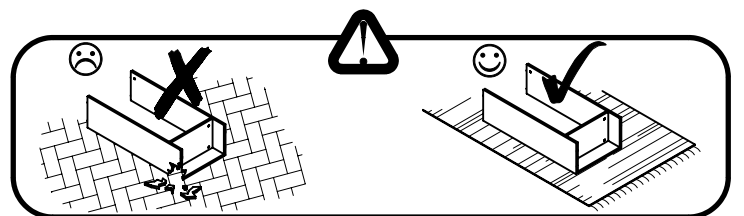
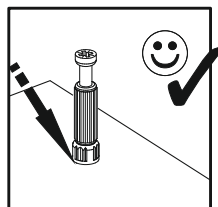
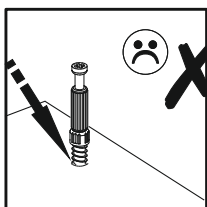
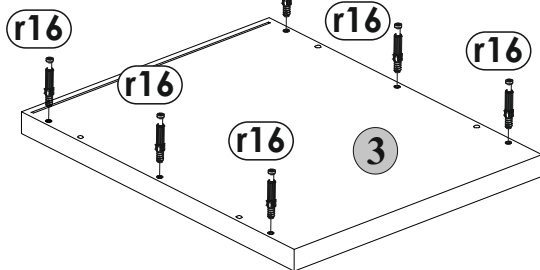
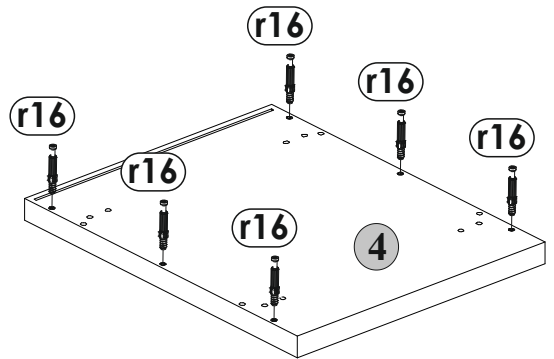
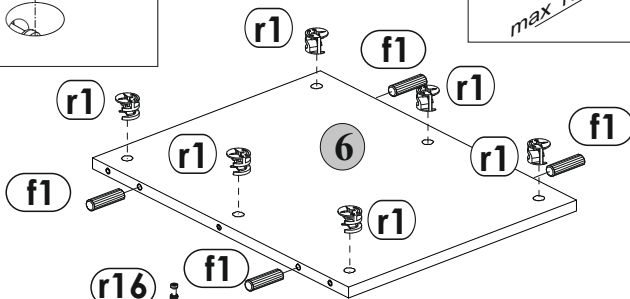
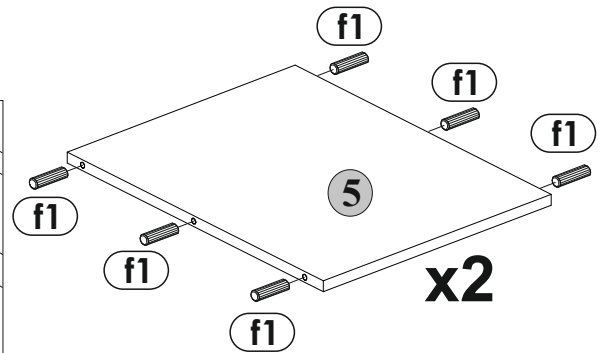
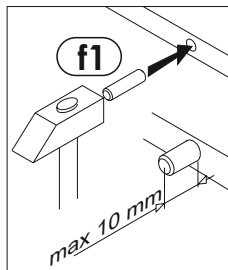
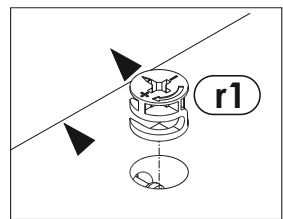
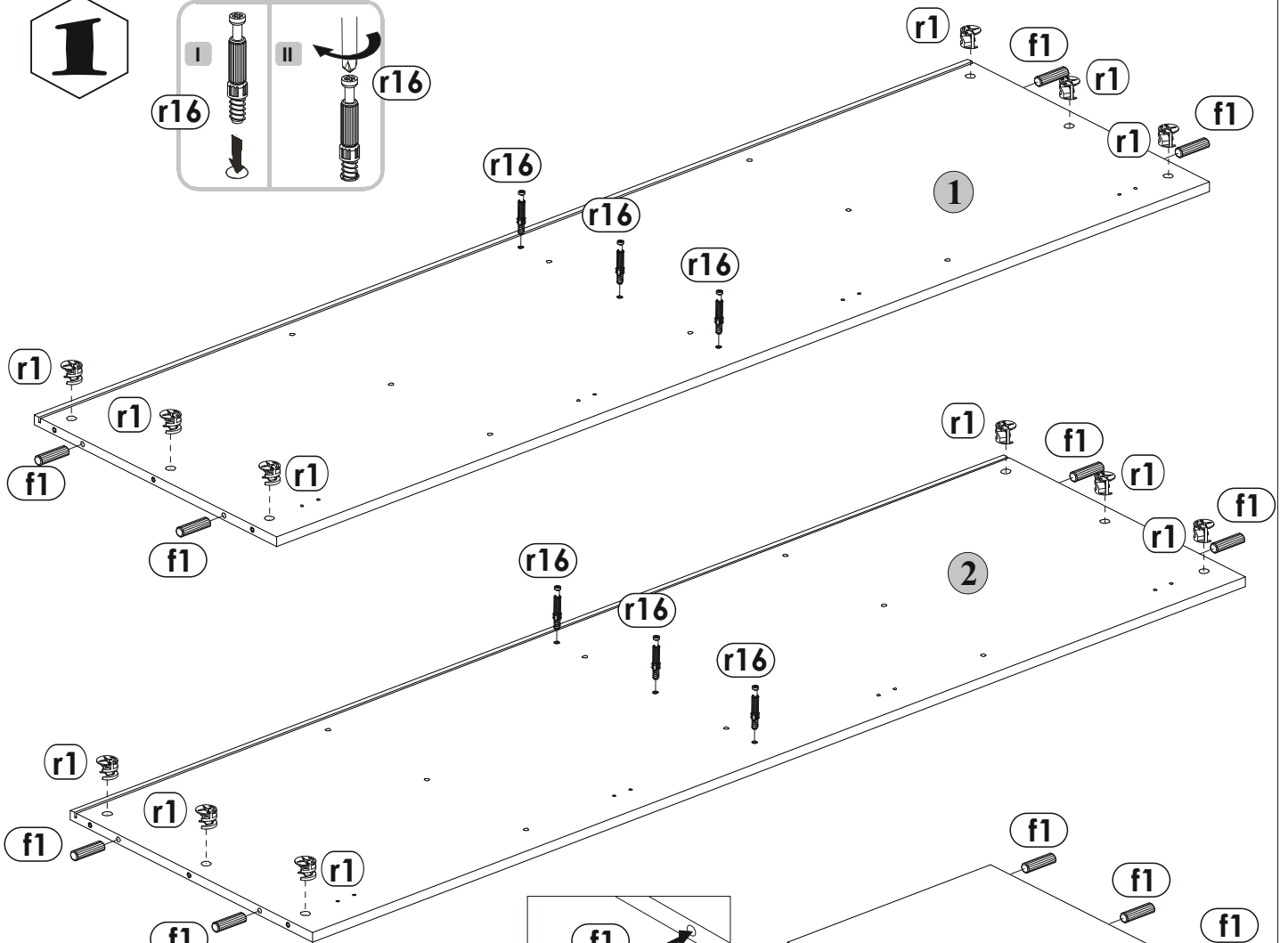
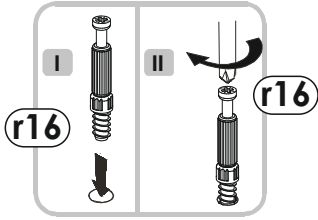


L**R**

| number | Measurements | Pcs. |
|--------|--------------|------|
| 1 | 1836x548 | 1 |
| 2 | 1836x548 | 1 |
| 3 | 434x550 | 1 |
| 4 | 434x550 | 1 |
| 5 | 400x516 | 2 |
| 6 | 400x516 | 1 |
| 7 | 1832x396 | 1 |
| 8 | 924x414 | 2 |
| 9 | 510x100x60 | 2 |

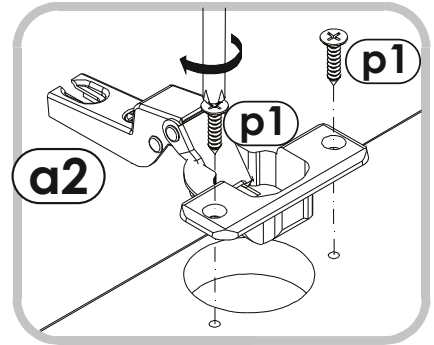
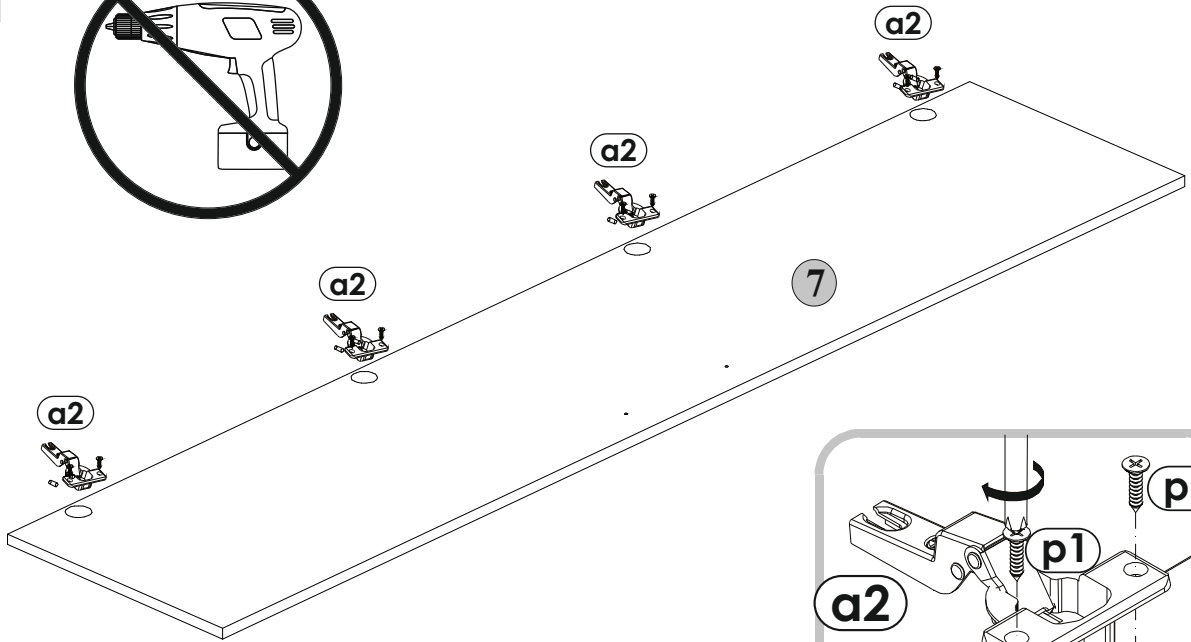
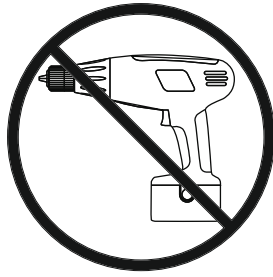


| | | |
|--|---|--|
| 1x  c234 | 3x  3.5 x 20 mm p4 | 2x  o21 |
| 18x  φ15 #16 r1 | 18x  s2 | 3x  i9 |
| 2x  φ3.5x25 mm p8 | 18x  r16 | 8x  φ6.3x13 mm e2 |
| 4x  φ24 mm k22 | 24x  φ8x30 mm f1 | 8x  j5¹ |
| 16x  i2 | 4x  b1 | 8x  φ3.5x13 mm p1 |
| 8x  j5² | 4x  a1 | 1 |

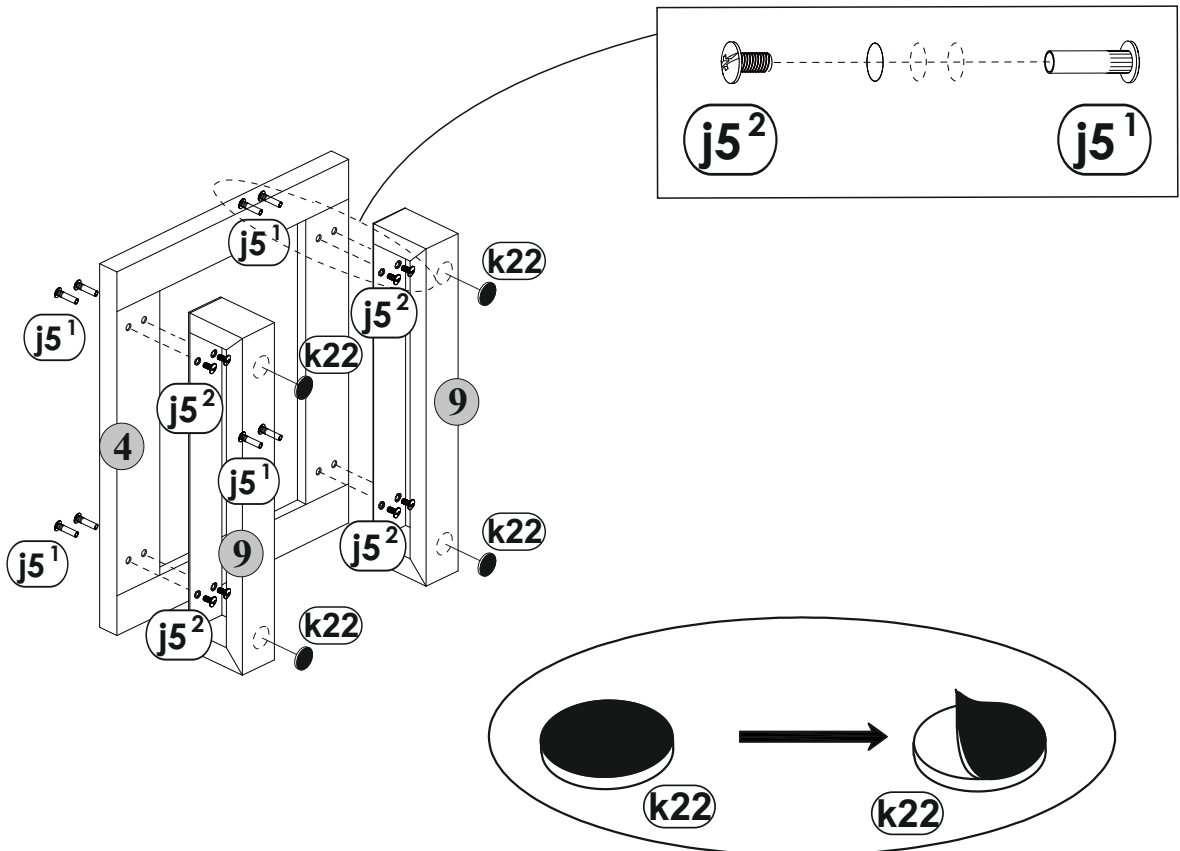


2

2

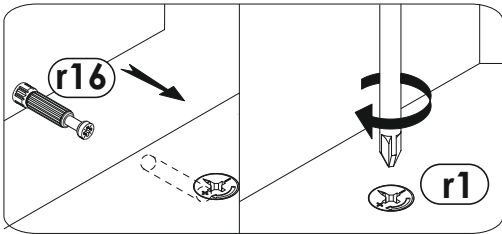
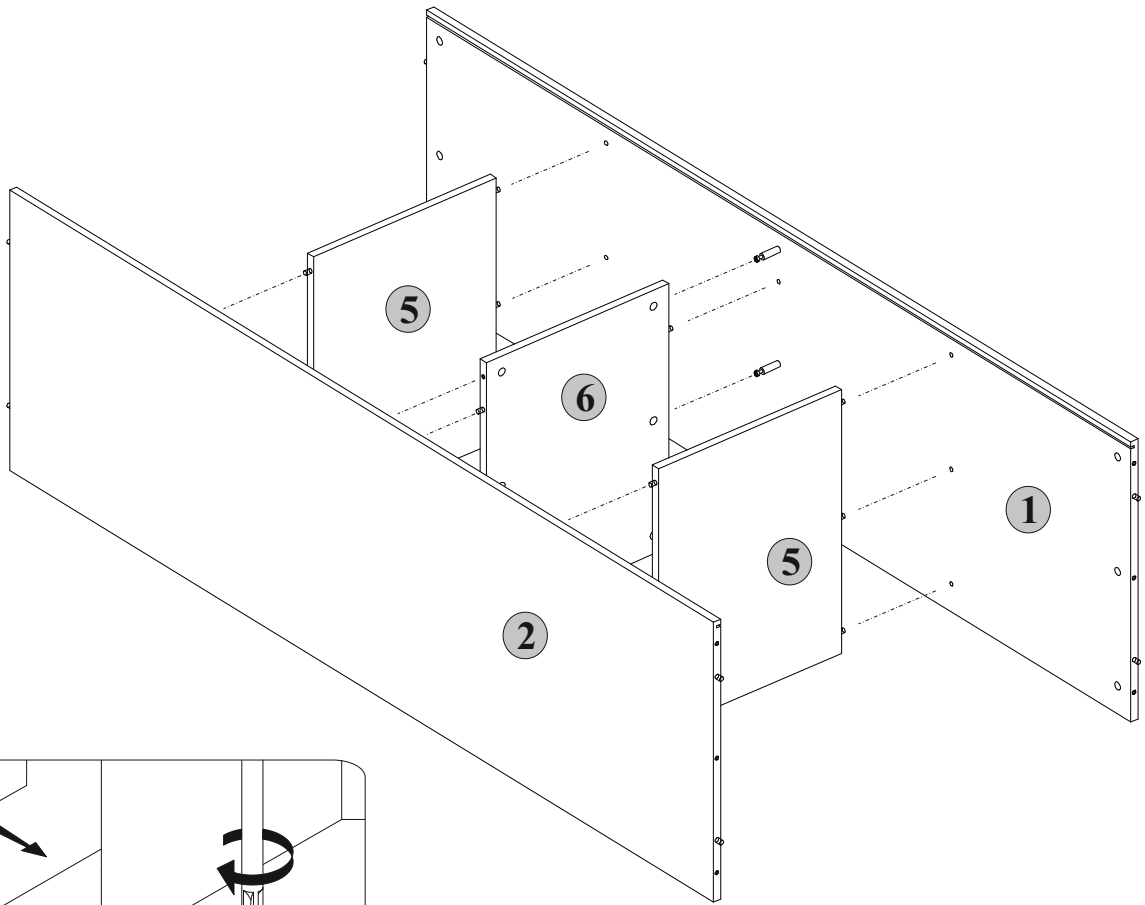


3

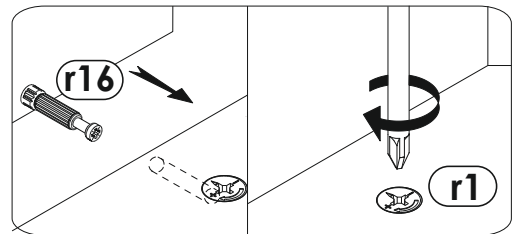
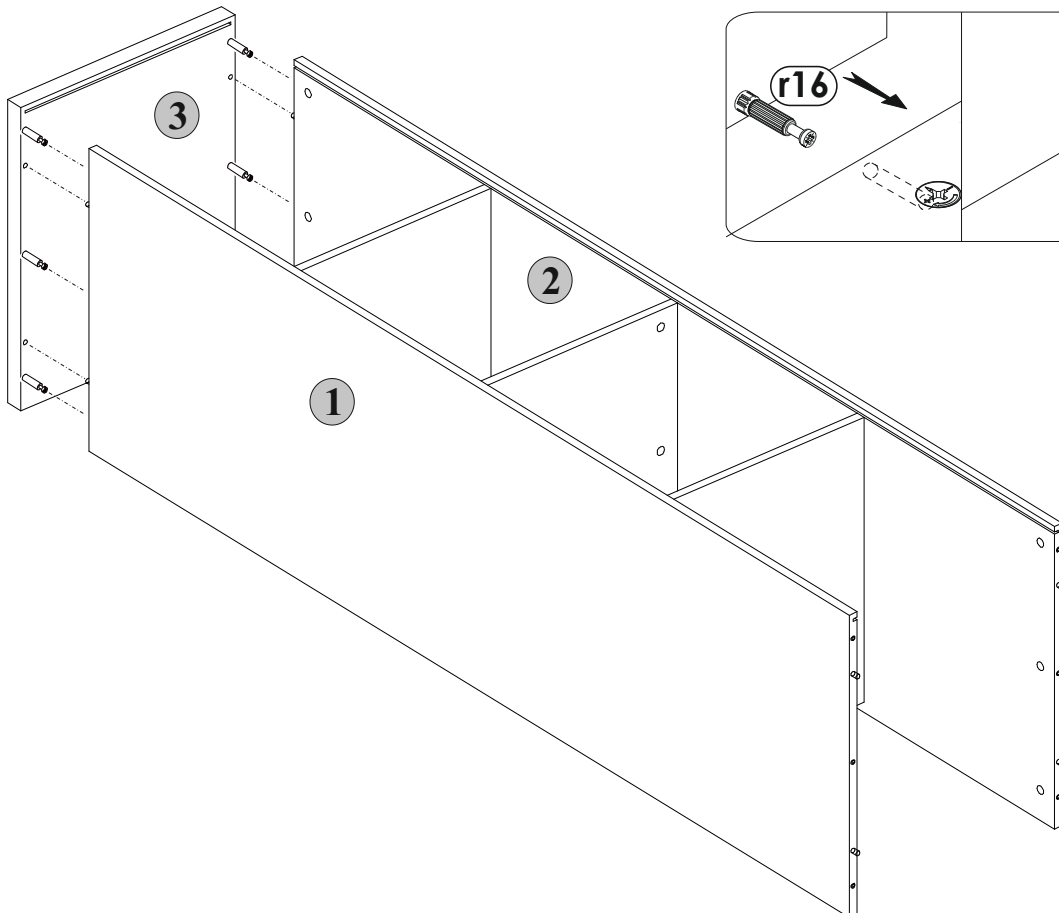


3

4

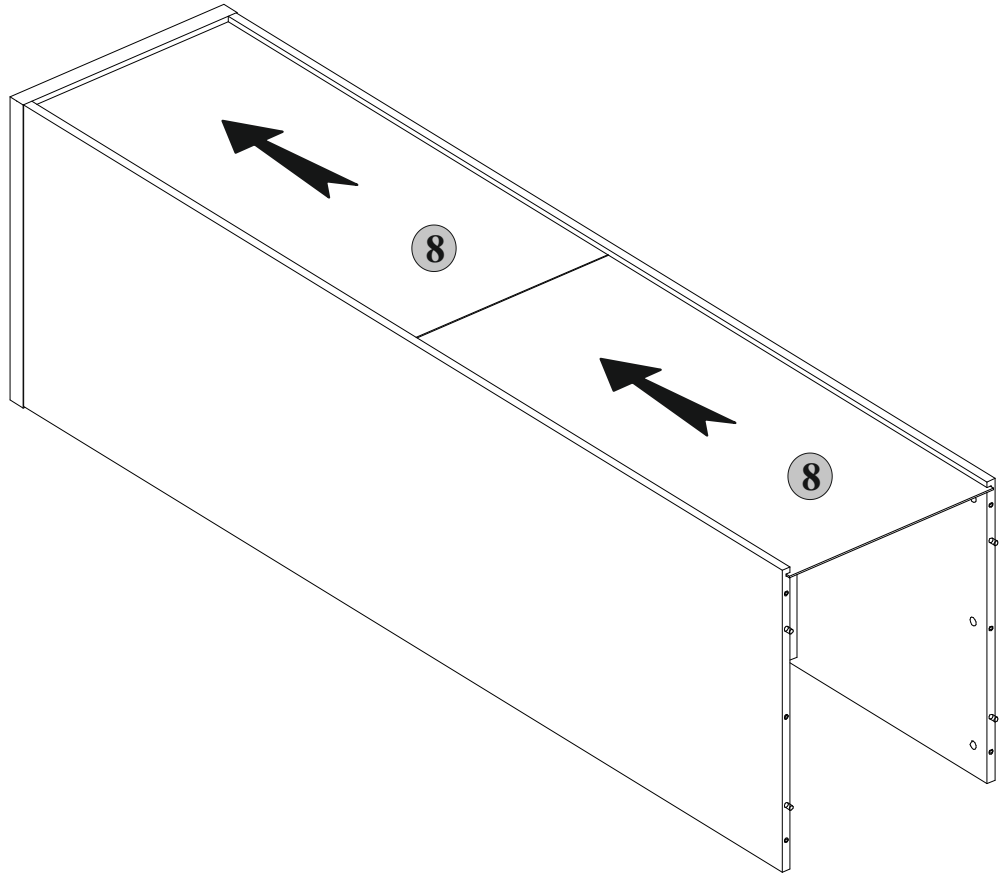


5

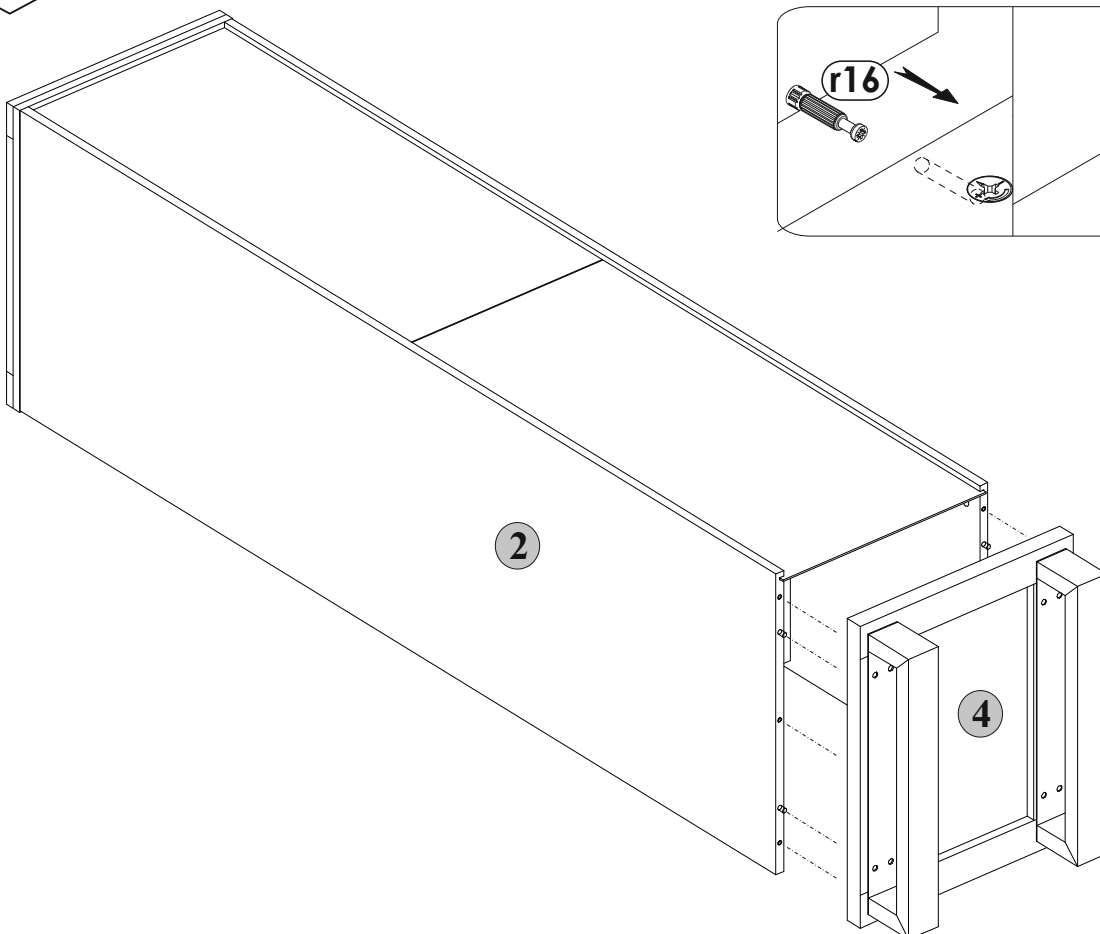


4

6

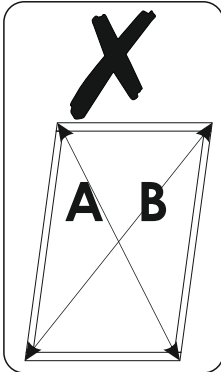
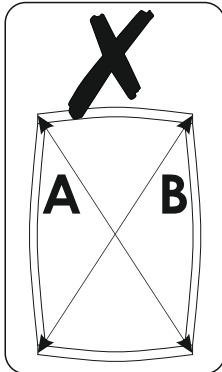
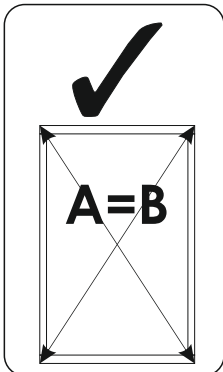
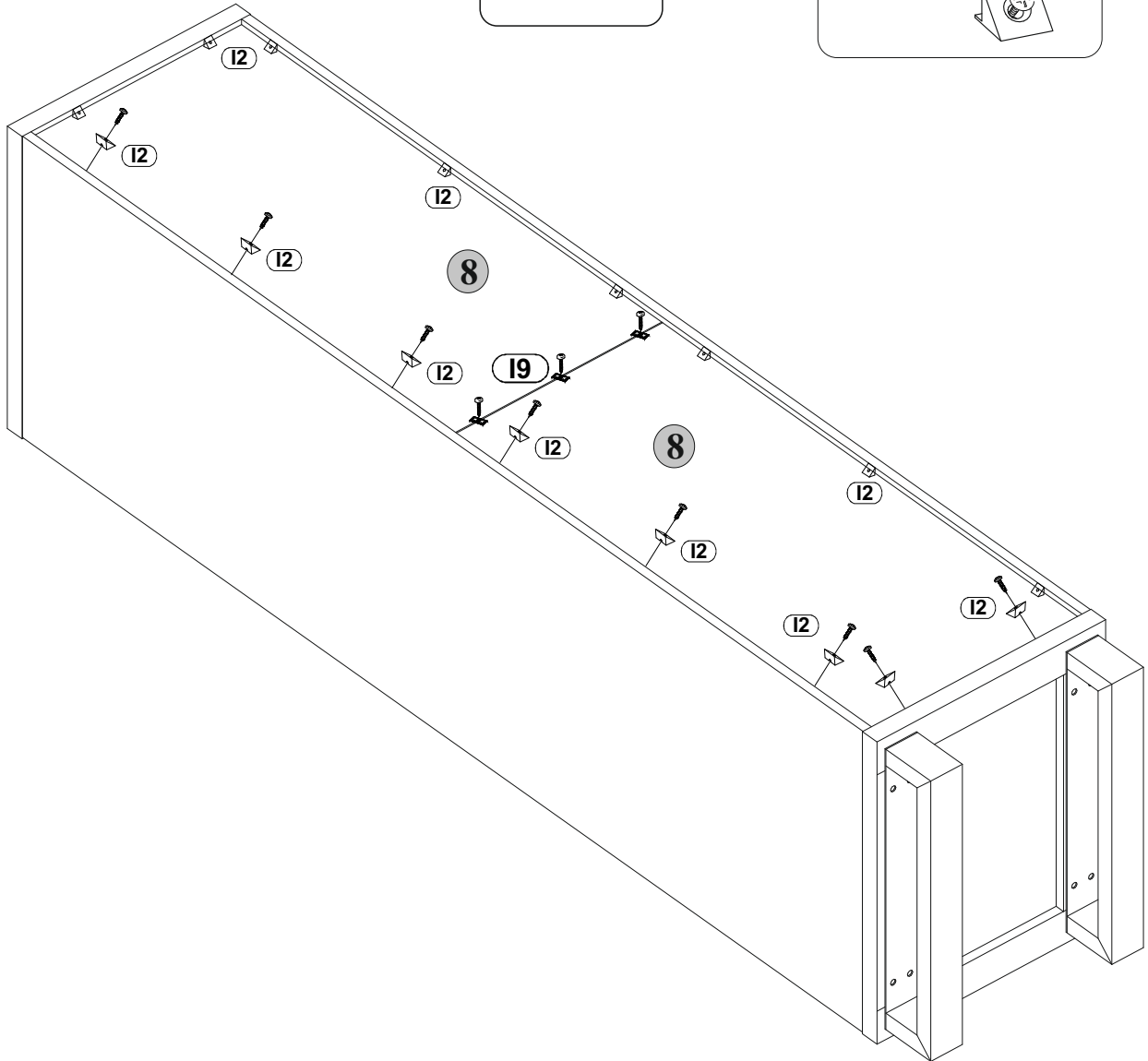
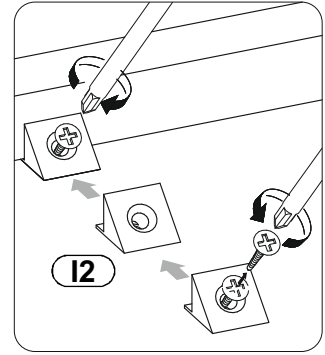
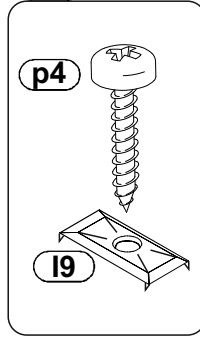


7



5

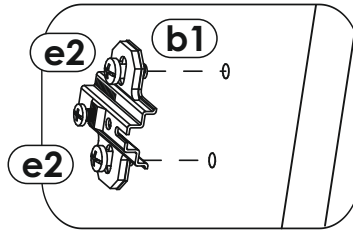
8



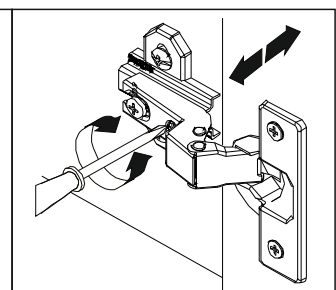
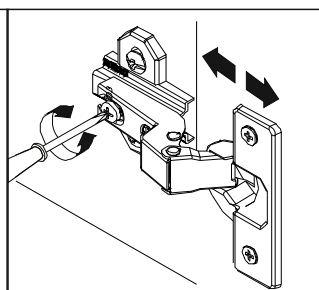
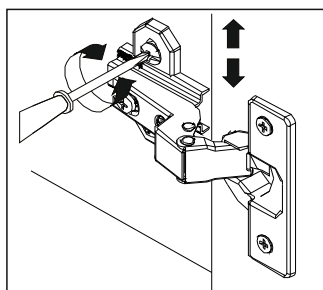
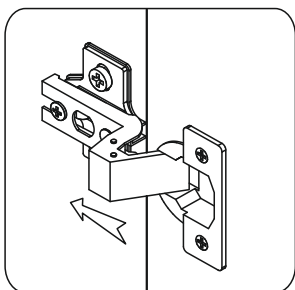
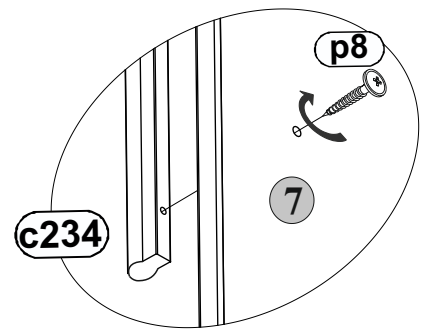
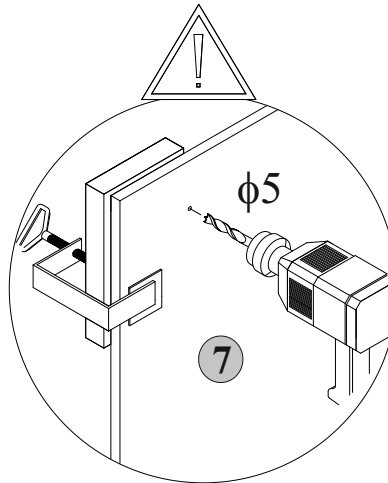
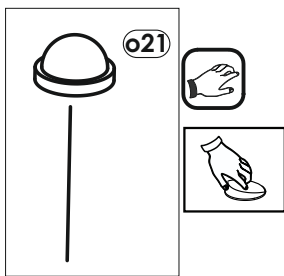
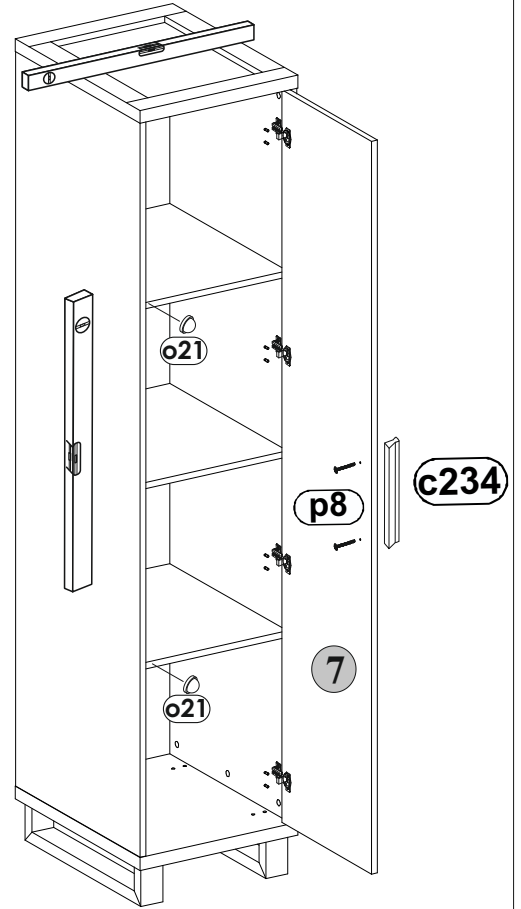
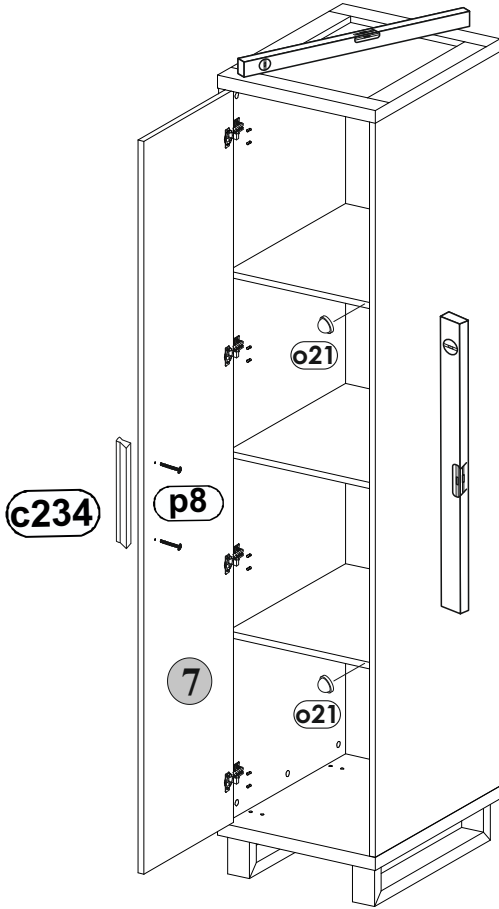
6

9

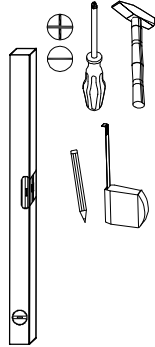
L



R

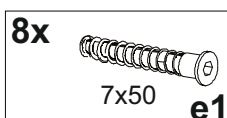
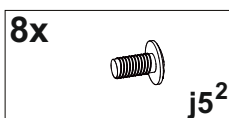
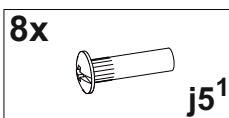
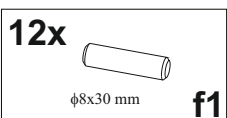
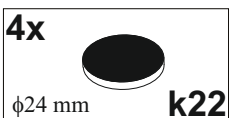
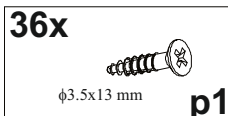
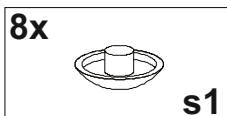
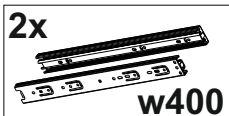
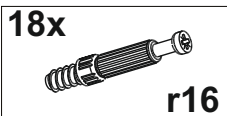
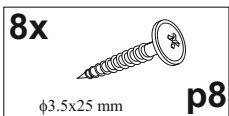
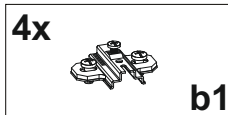
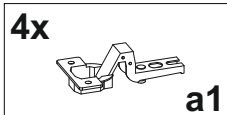
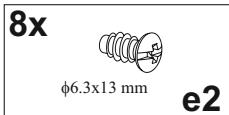
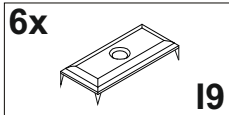
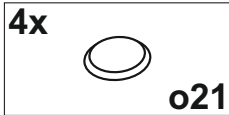
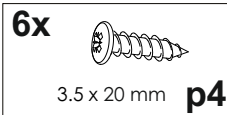
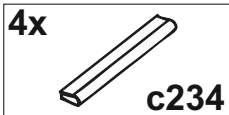
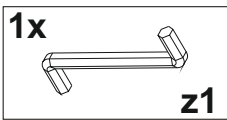
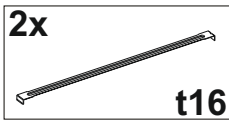
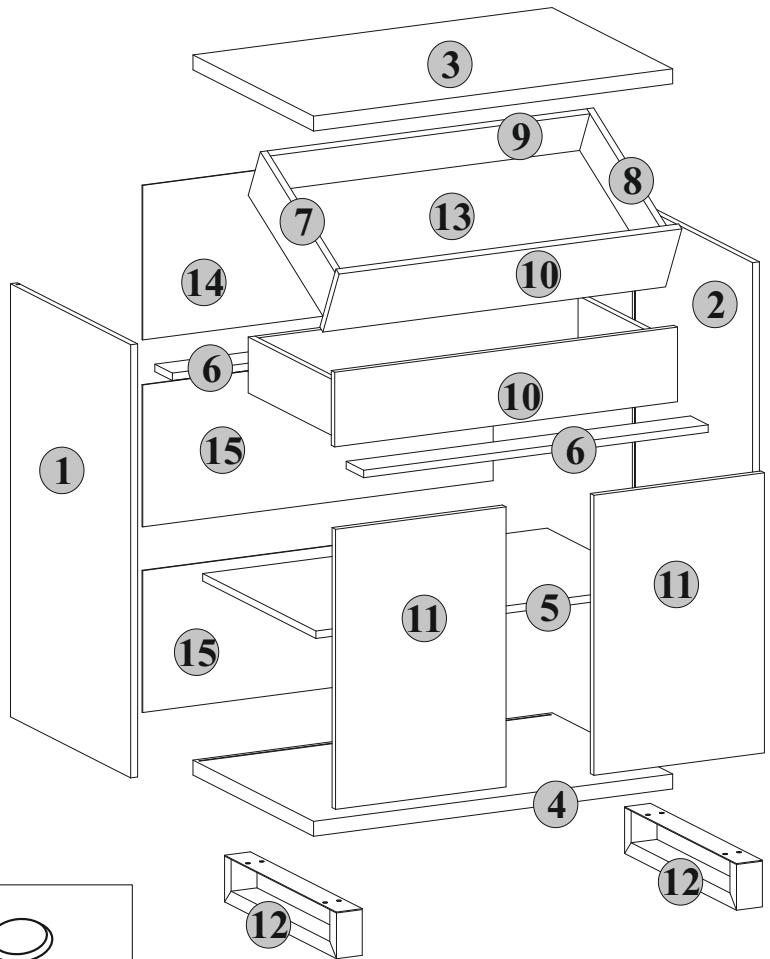
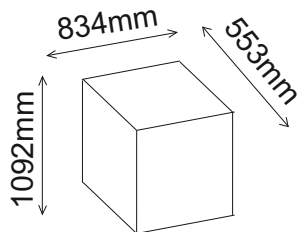
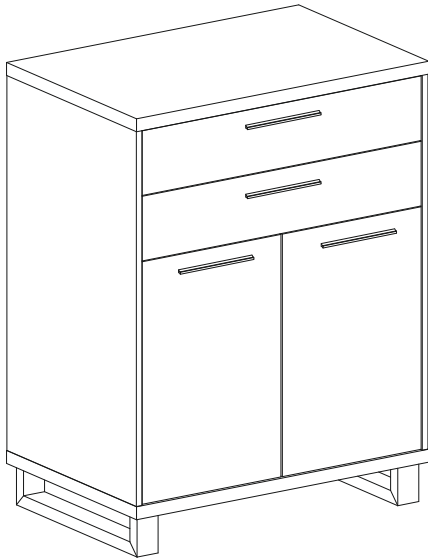


7

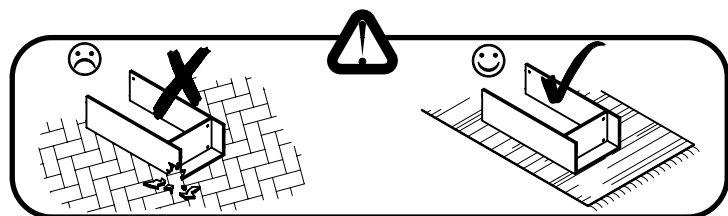
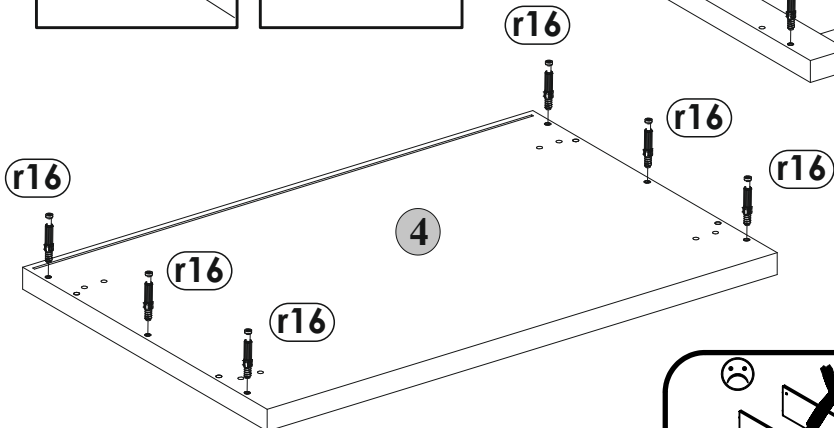
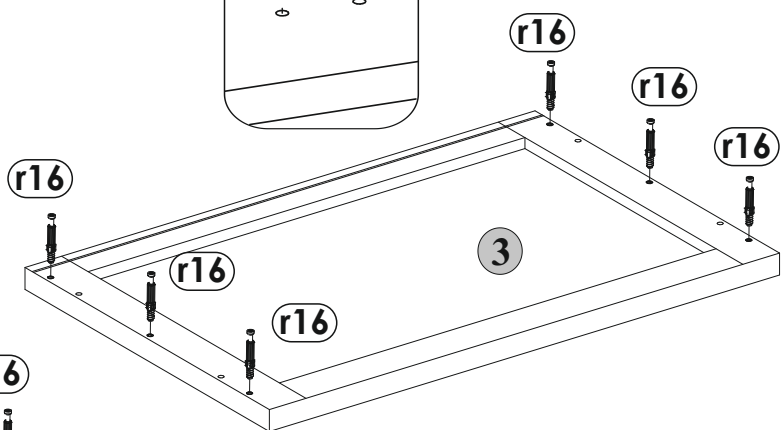
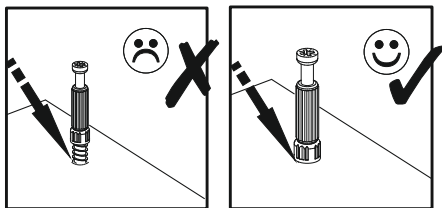
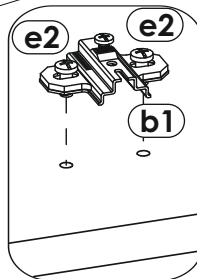
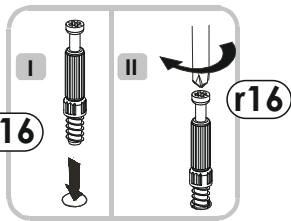
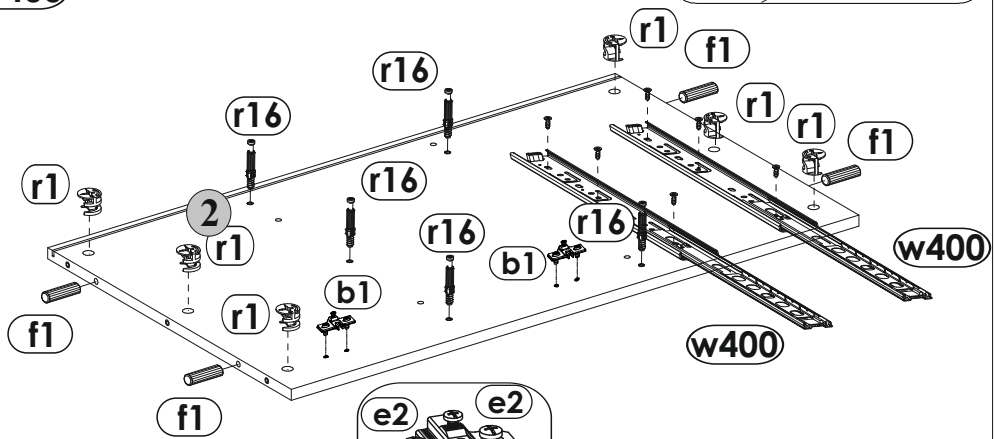
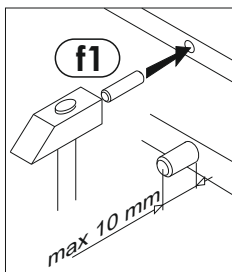
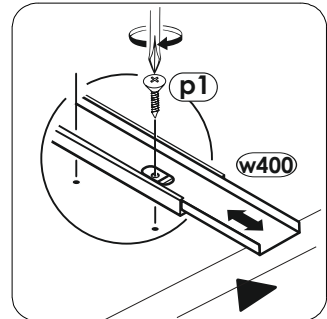
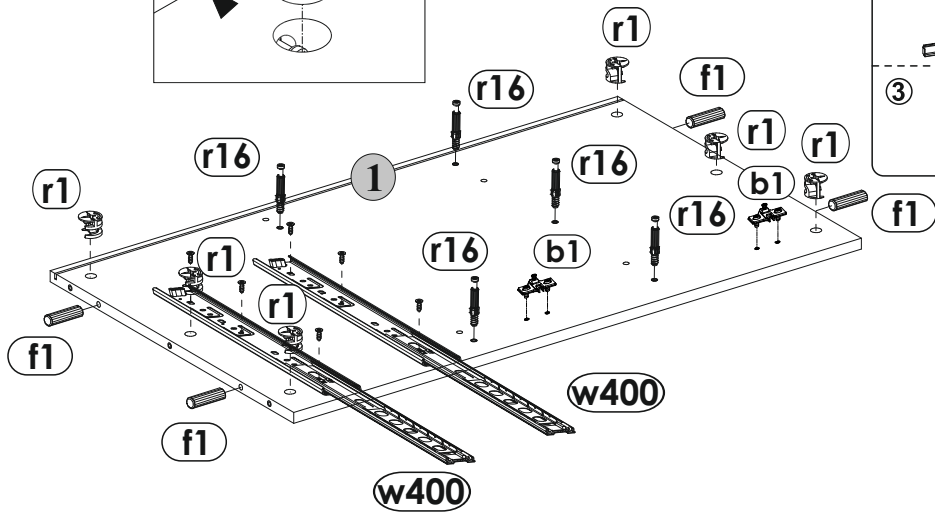
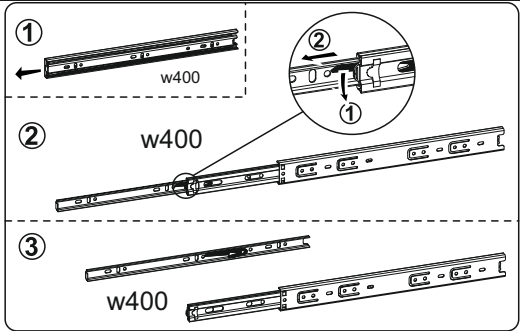
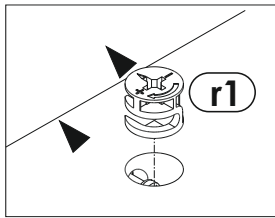


| number | Measurements | Pcs. |
|--------|--------------|------|
| 1 | 928x548 | 1 |
| 2 | 928x548 | 1 |
| 3 | 834x550 | 1 |
| 4 | 834x550 | 1 |
| 5 | 800x516 | 1 |
| 6 | 800x80 | 1 |
| 7 | 400x120 | 2 |
| 8 | 400x120 | 2 |
| 9 | 742x120 | 2 |
| 10 | 160x796 | 2 |
| 11 | 600x396 | 2 |

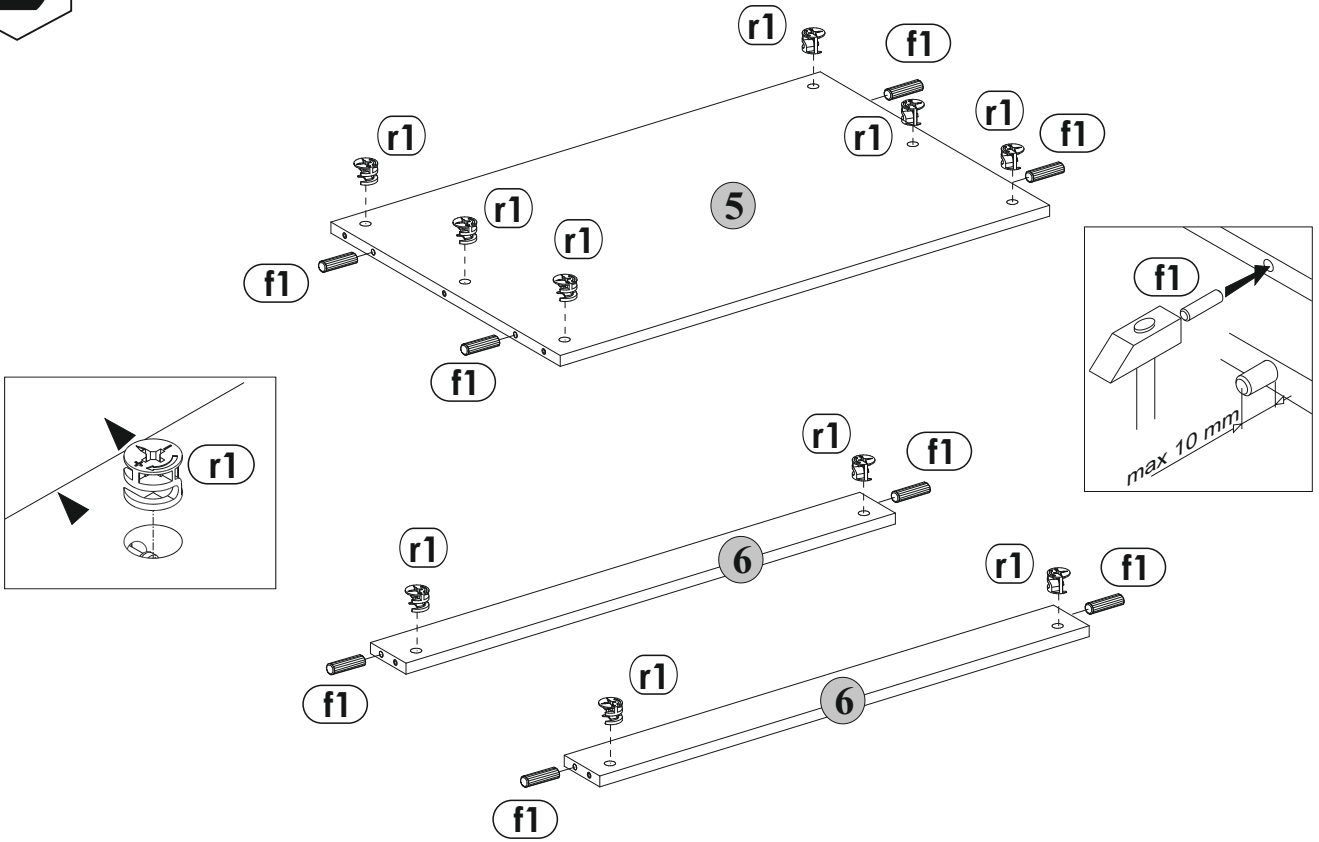
| | | |
|----|------------|---|
| 12 | 510x100x60 | 2 |
| 13 | 752x394 | 2 |
| 14 | 331x814 | 1 |
| 15 | 304x814 | 2 |



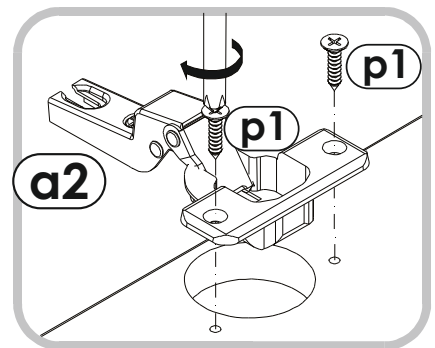
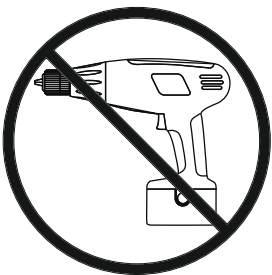
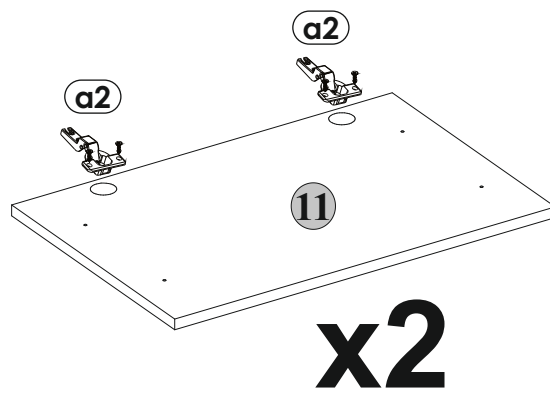
I



2

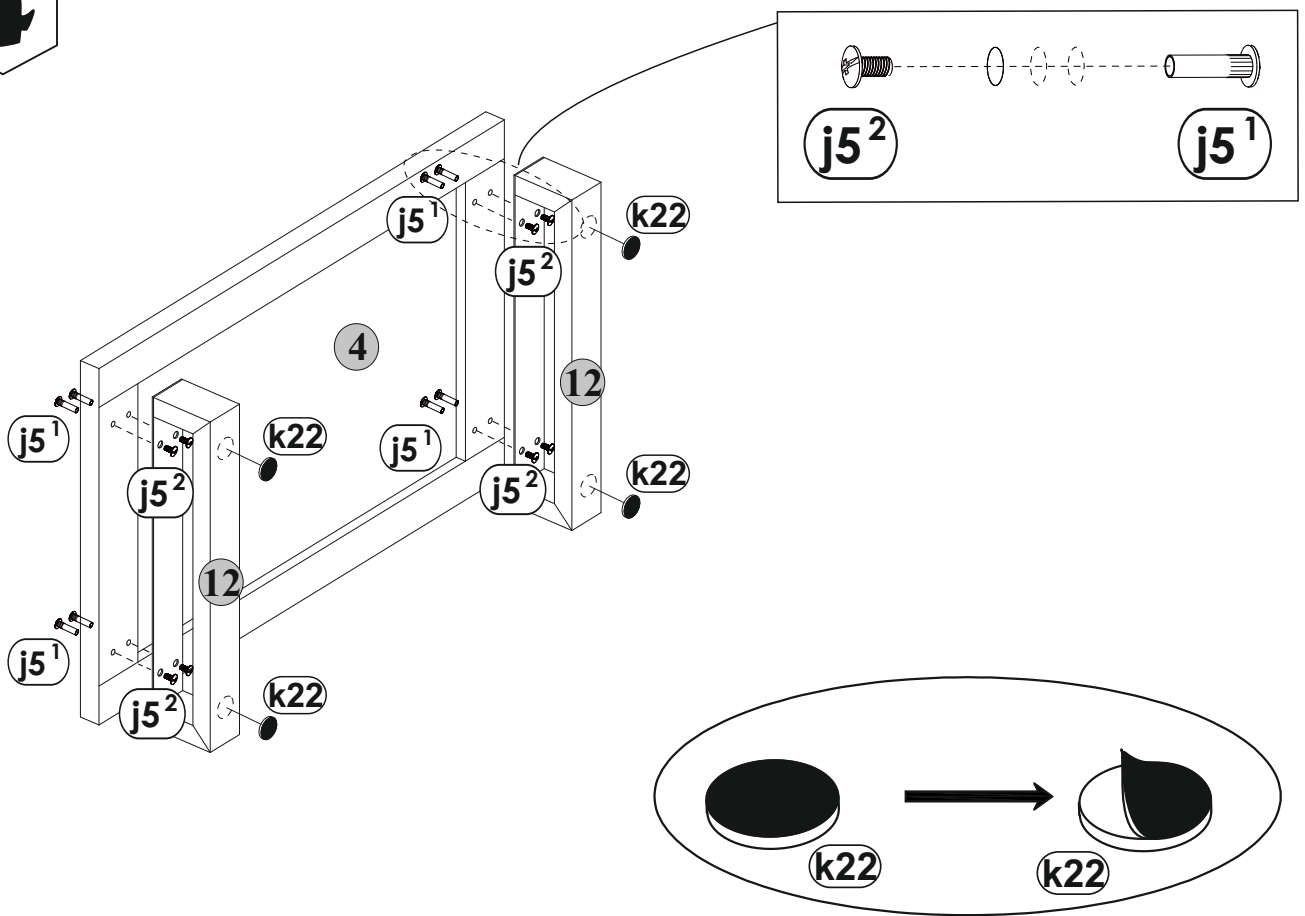


3

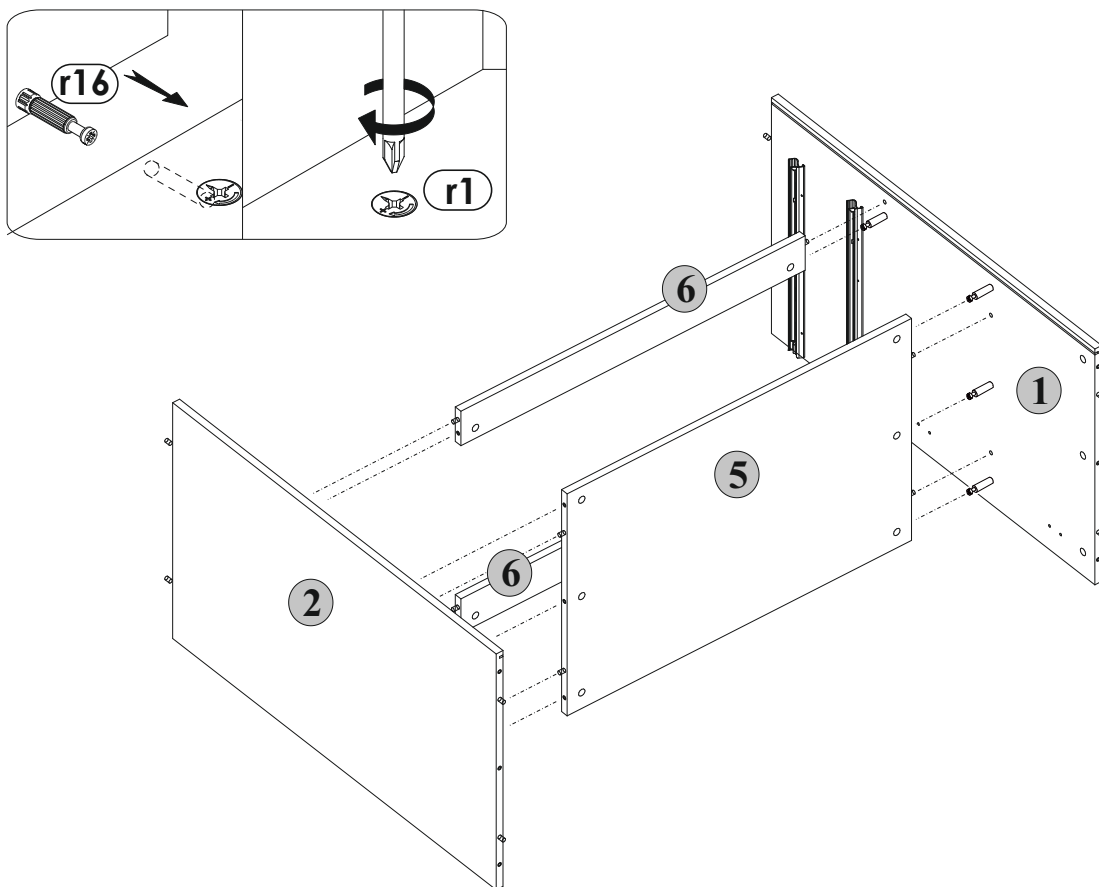


3

4

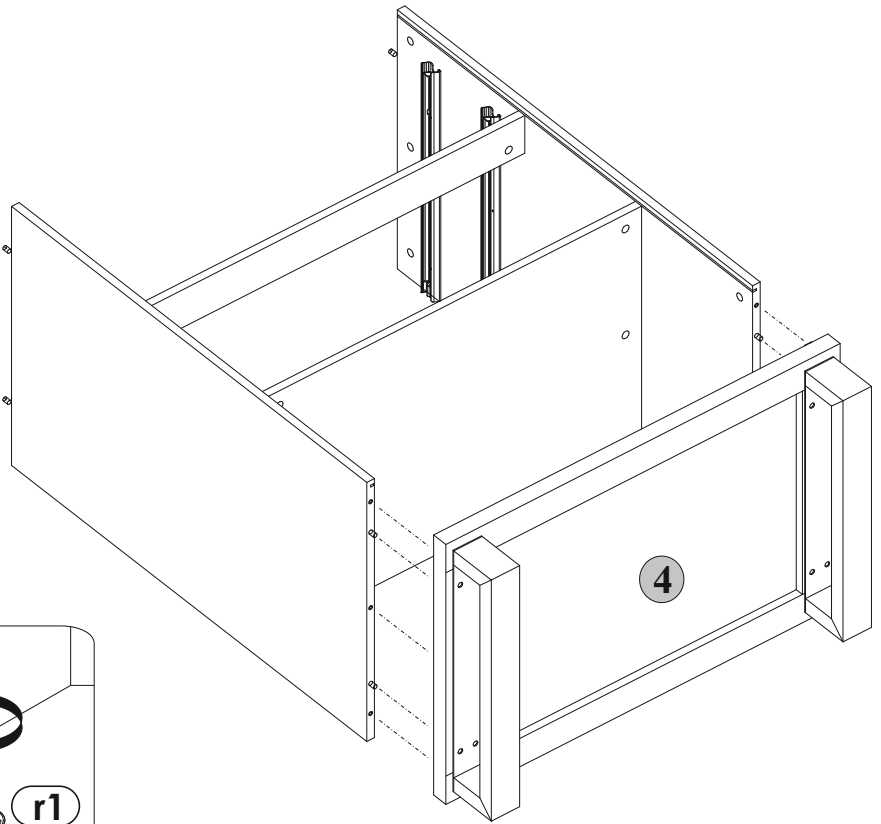


5

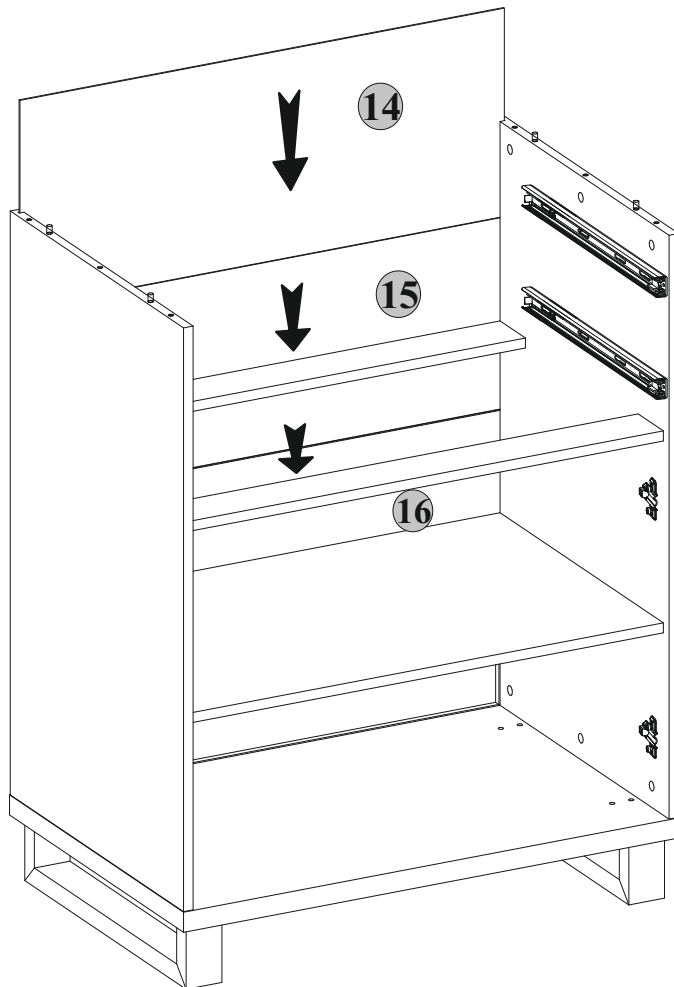


4

6

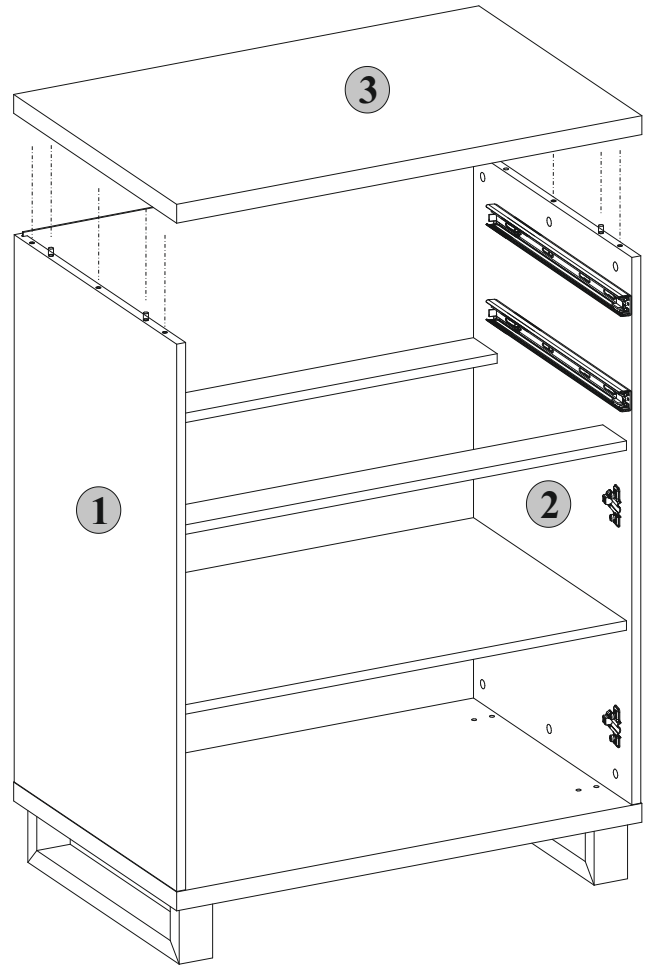
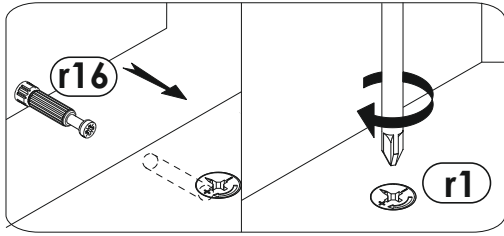


7

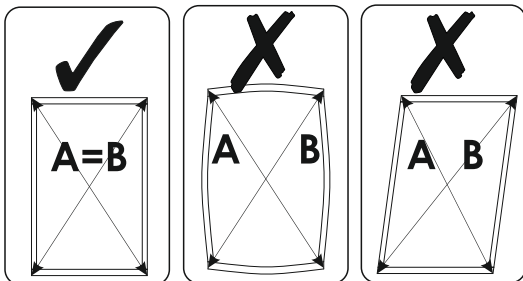
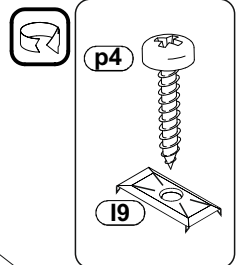
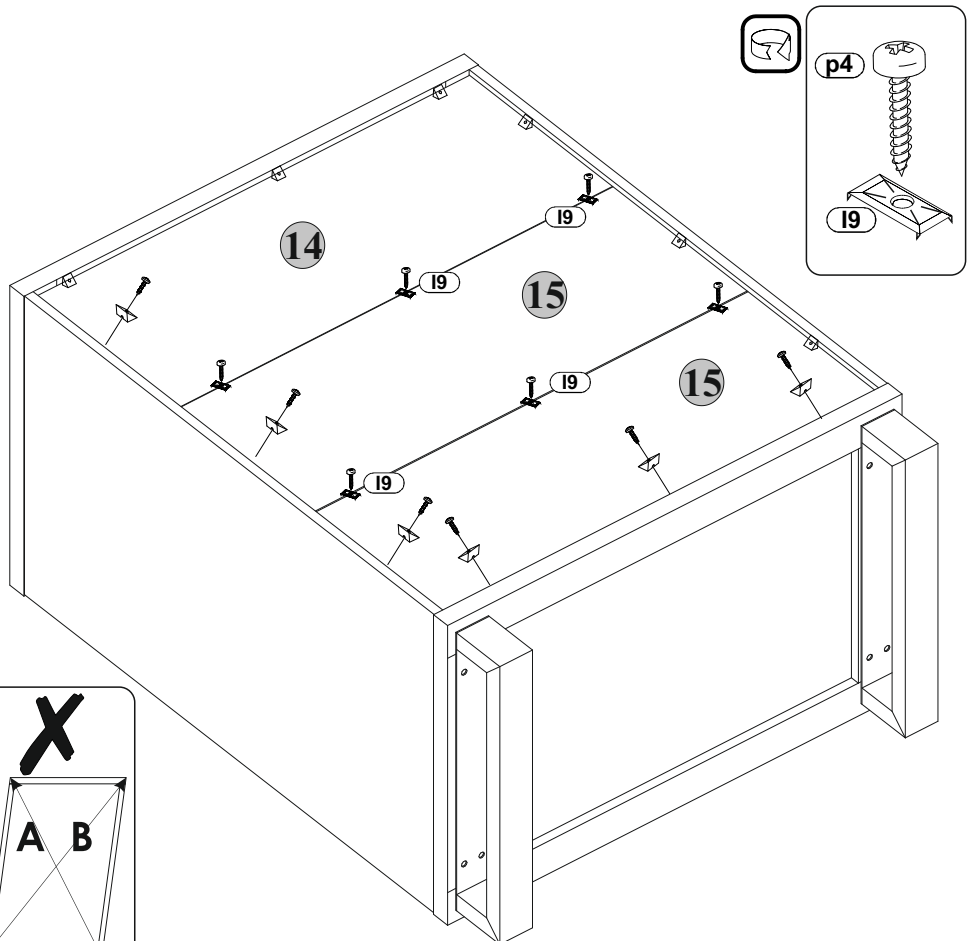
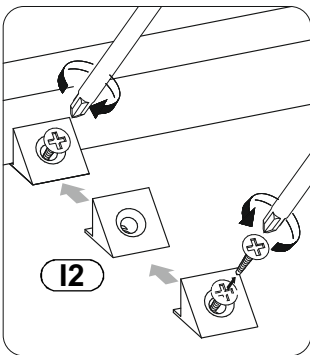


5

6

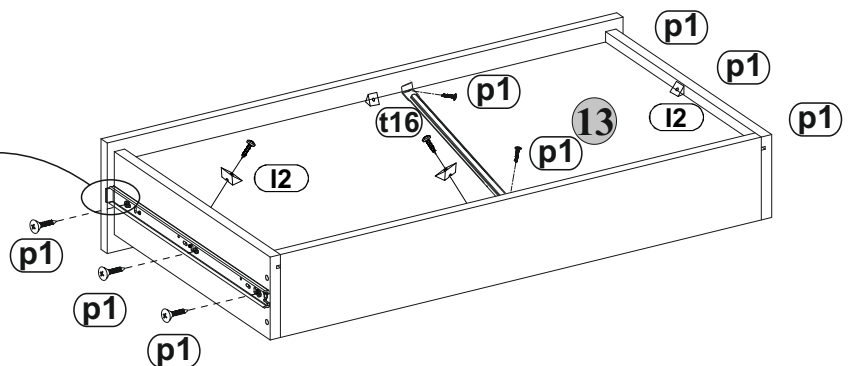
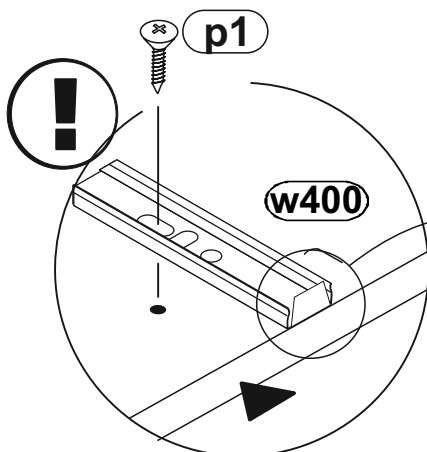
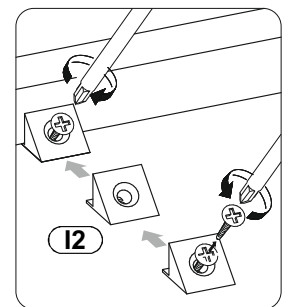
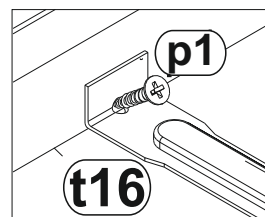
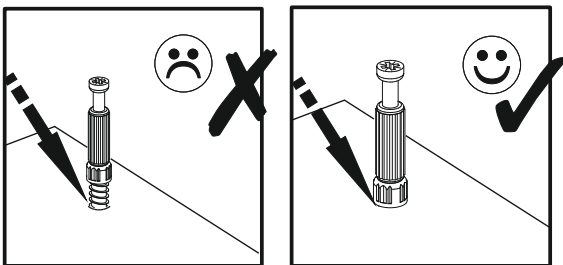
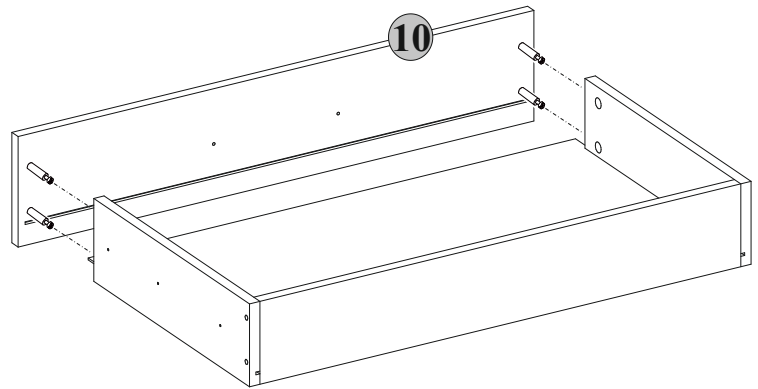
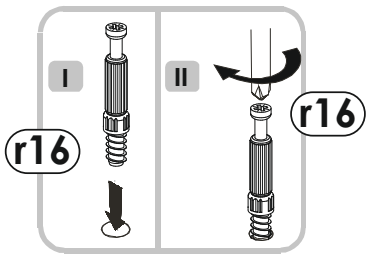
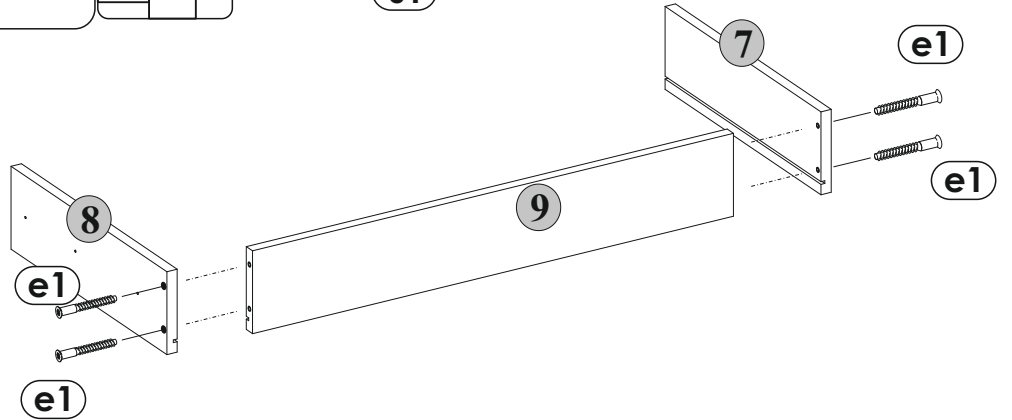
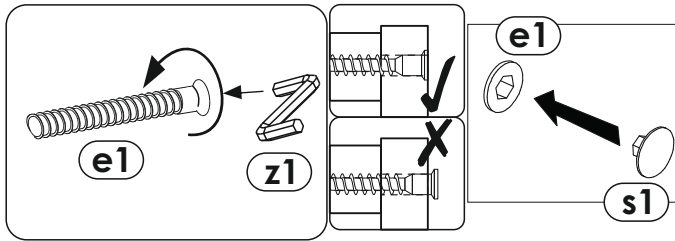


9



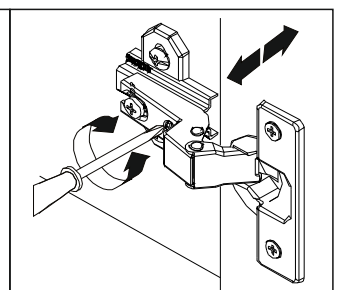
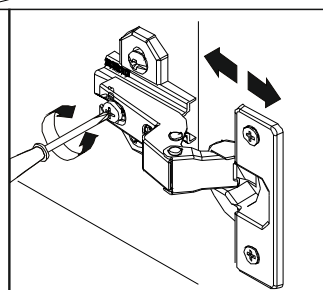
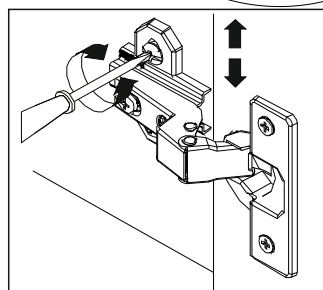
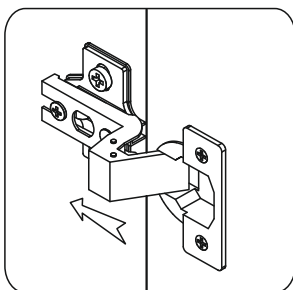
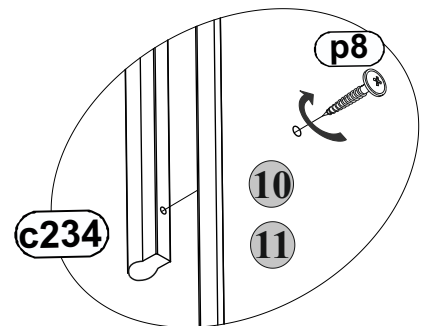
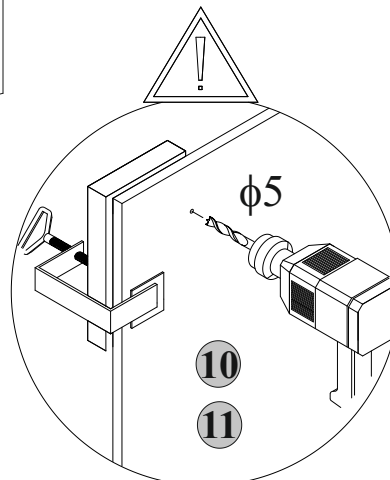
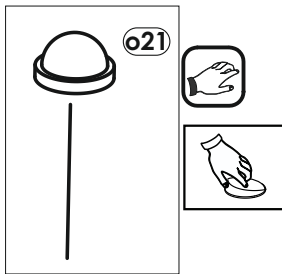
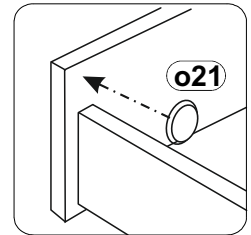
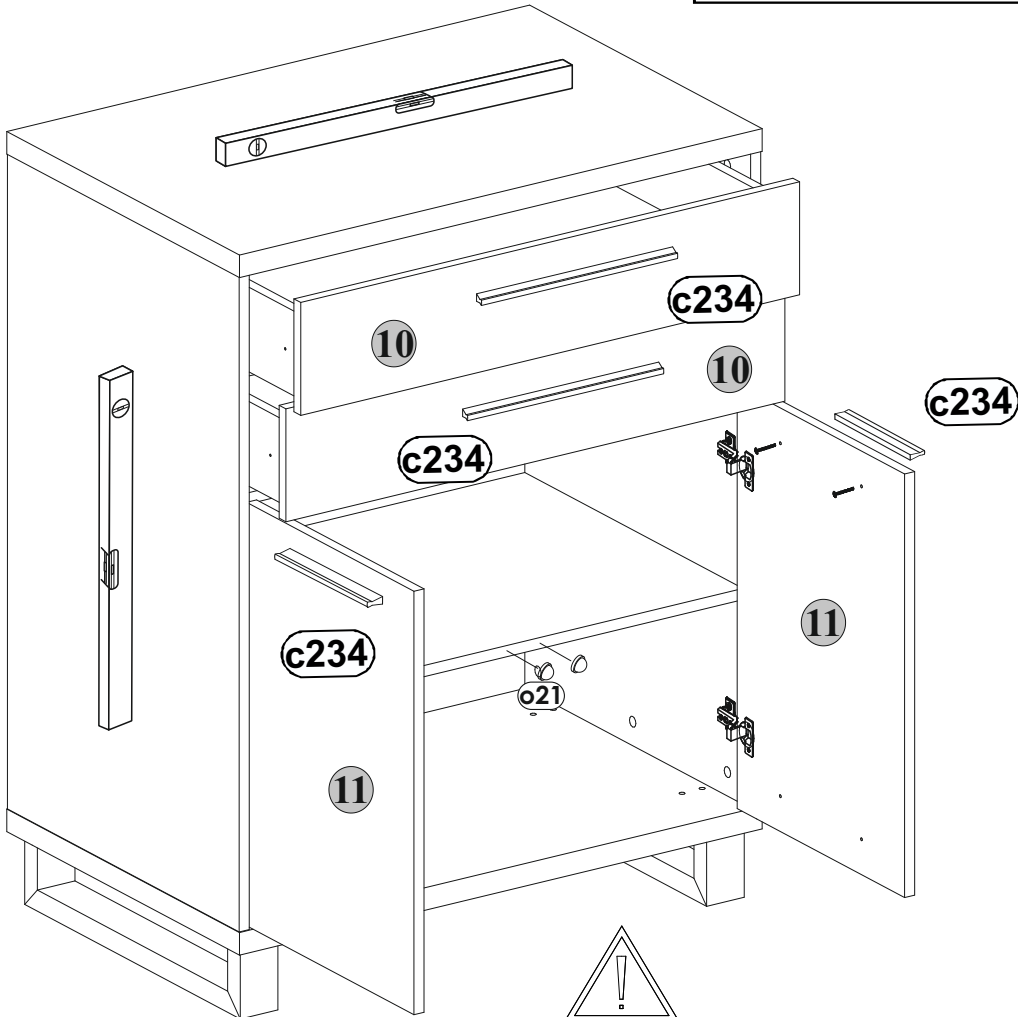
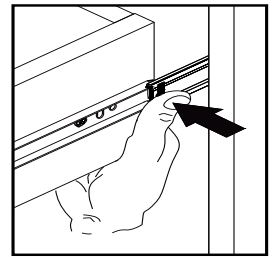
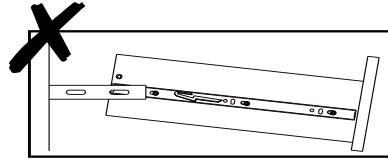
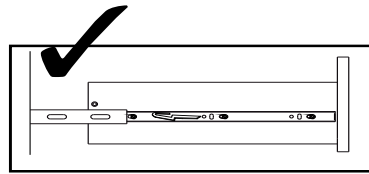
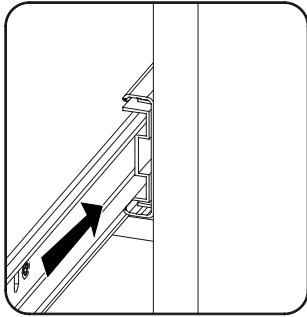
6

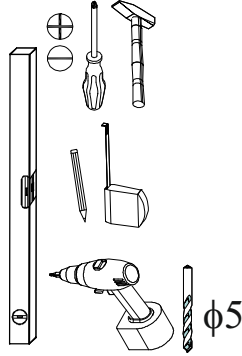
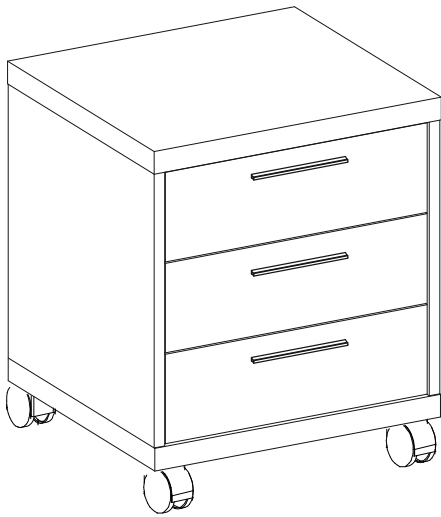
8



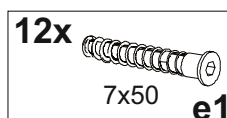
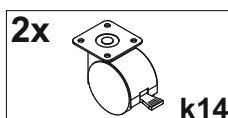
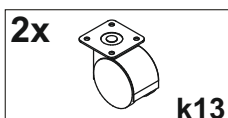
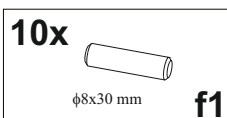
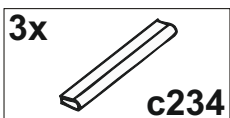
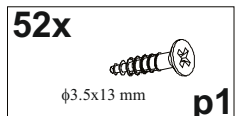
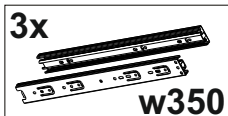
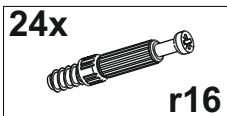
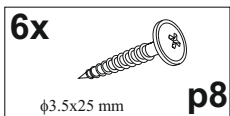
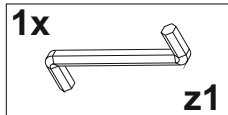
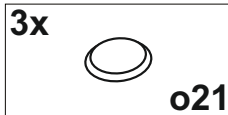
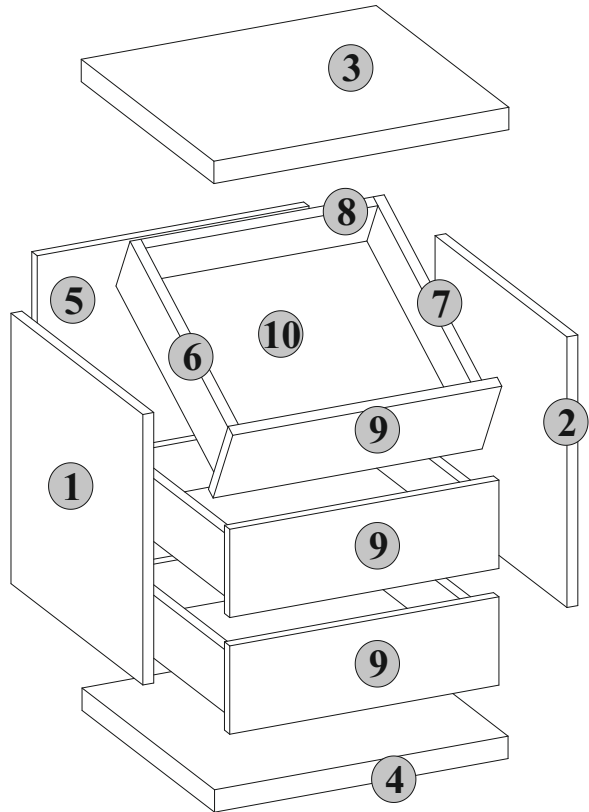
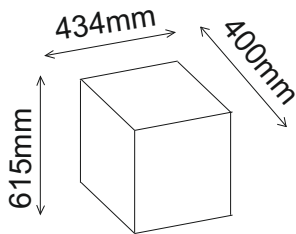
7

10

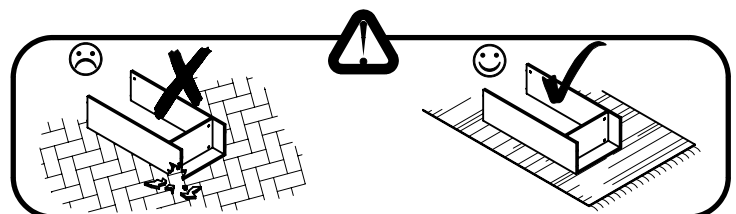
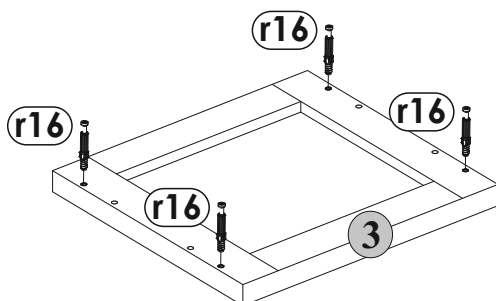
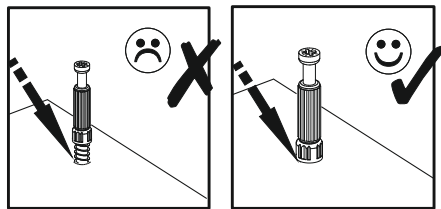
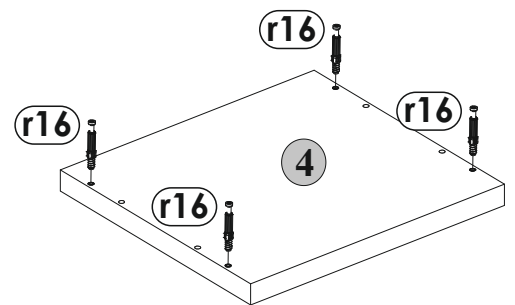
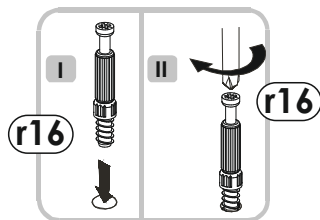
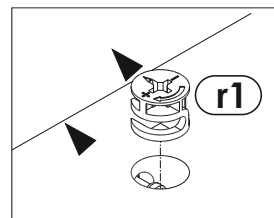
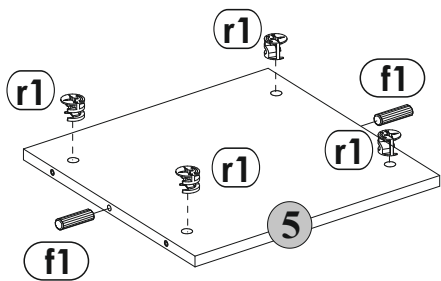
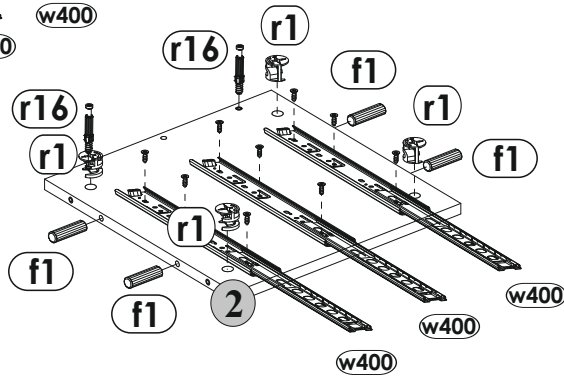
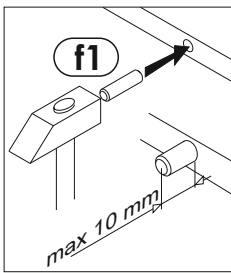
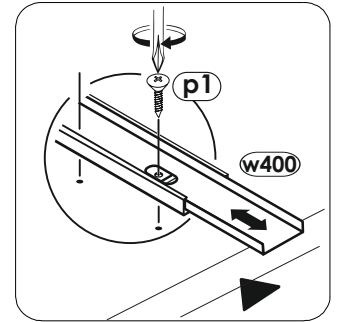
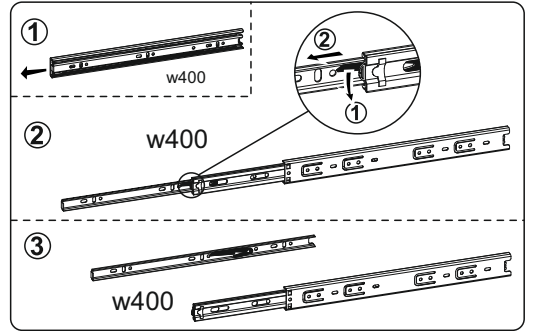
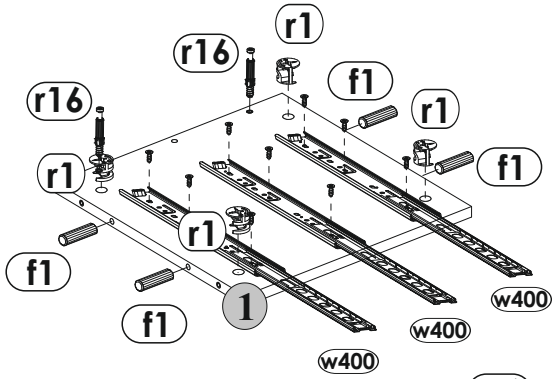




| number | Measurements | Pcs. |
|--------|--------------|------|
| 1 | 386x398 | 1 |
| 2 | 386x398 | 1 |
| 3 | 434x400 | 1 |
| 4 | 432x400 | 1 |
| 5 | 386x400 | 1 |
| 6 | 350x90 | 3 |
| 7 | 350x90 | 3 |
| 8 | 342x90 | 3 |
| 9 | 394x126 | 3 |
| 10 | 352x344 | 3 |

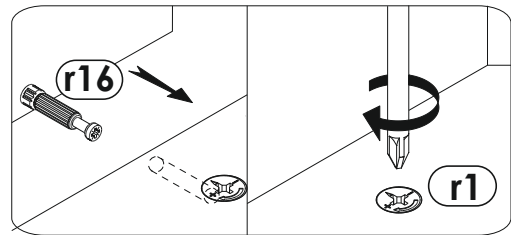
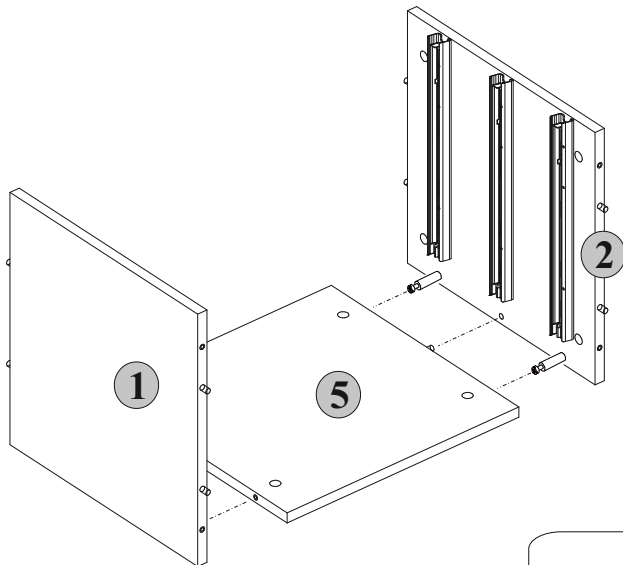


I

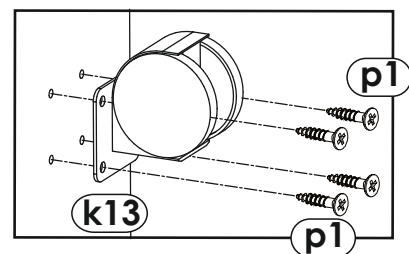
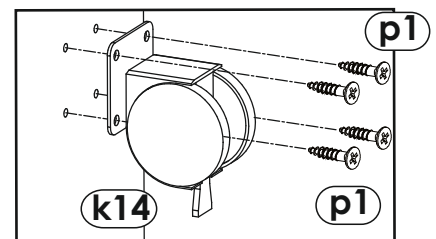
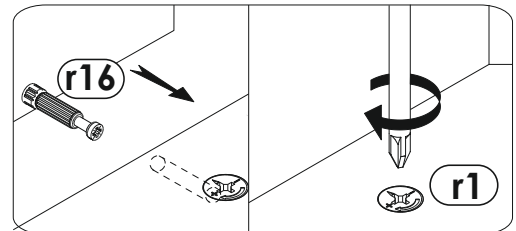
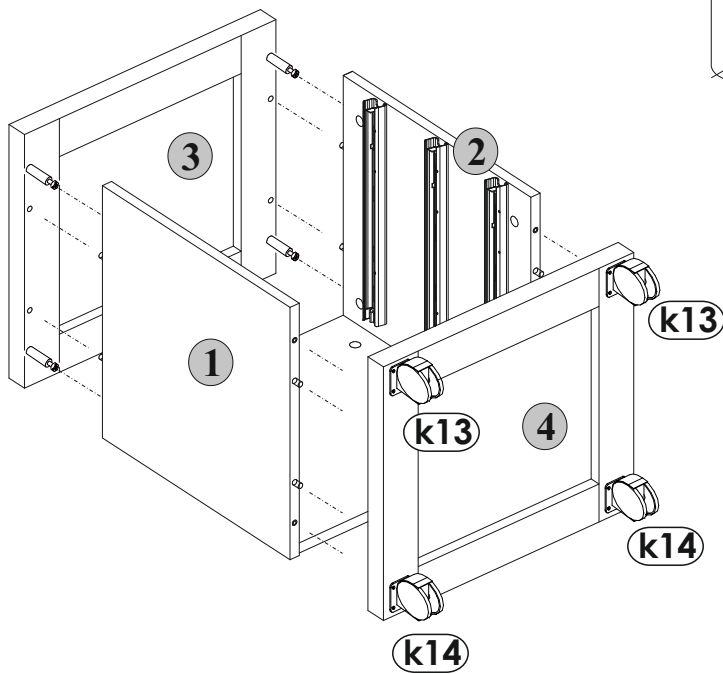


2

2

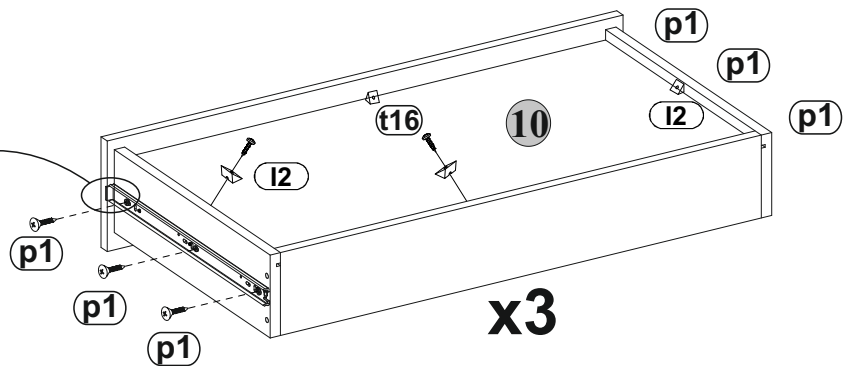
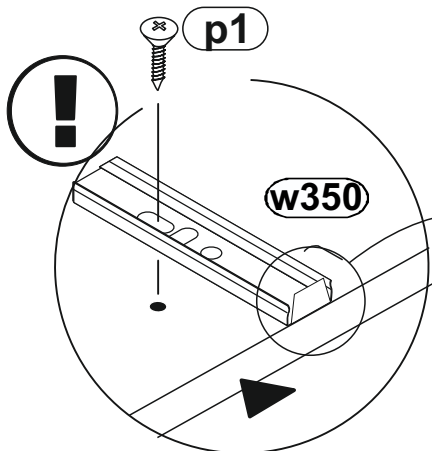
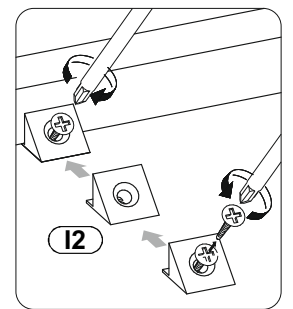
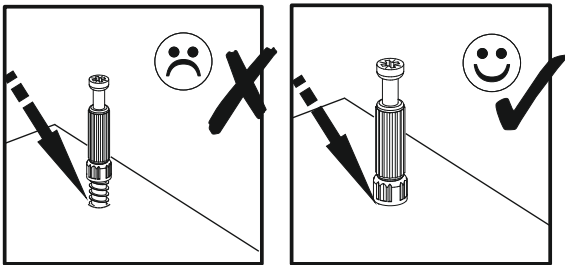
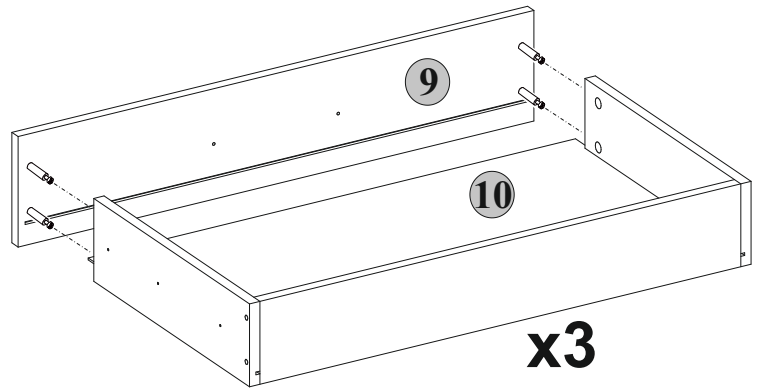
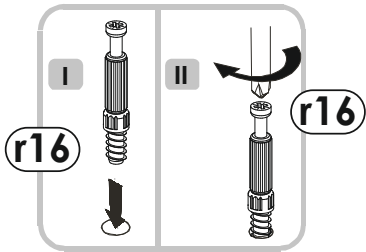
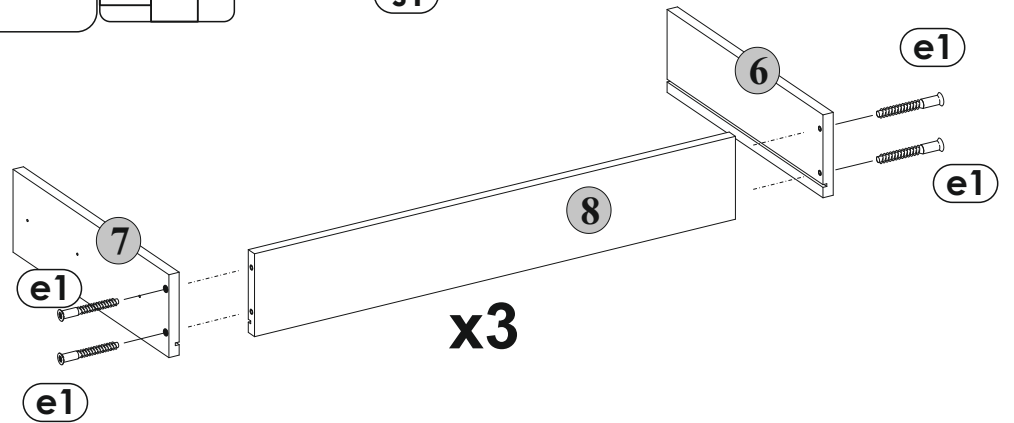
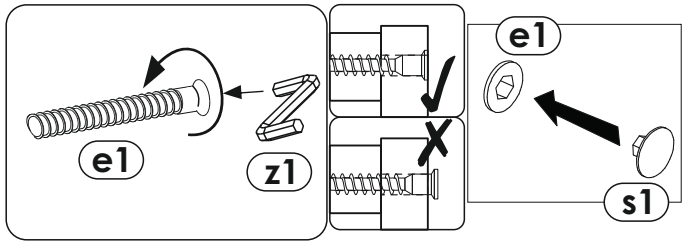


3



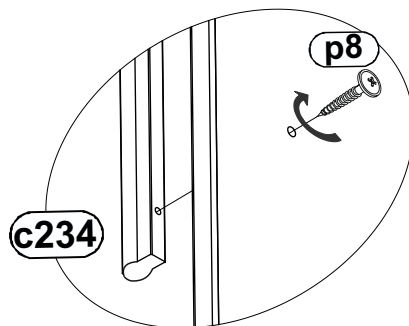
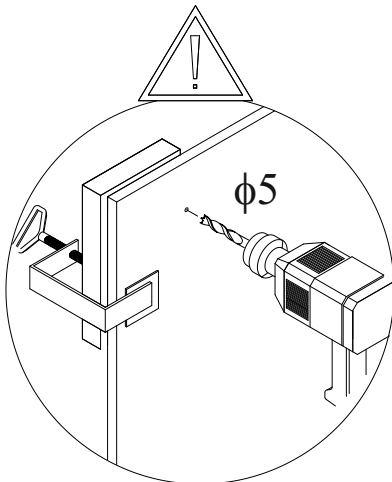
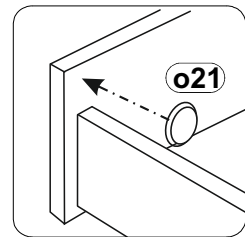
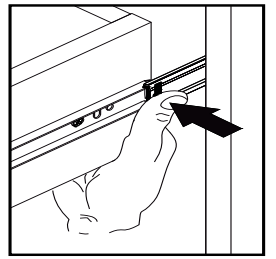
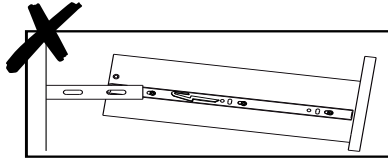
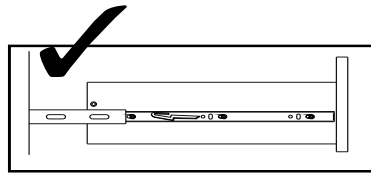
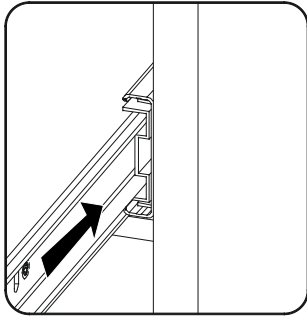
3

4

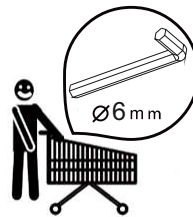
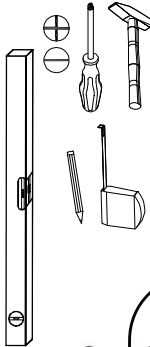
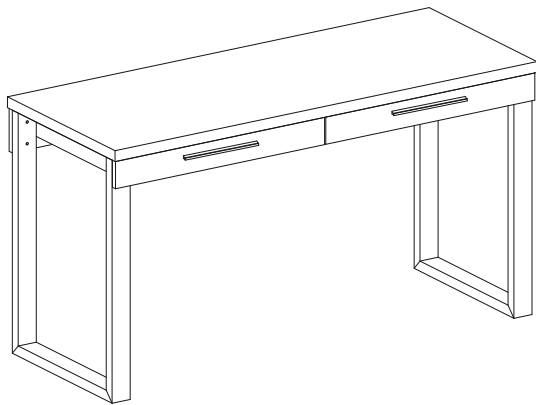


3

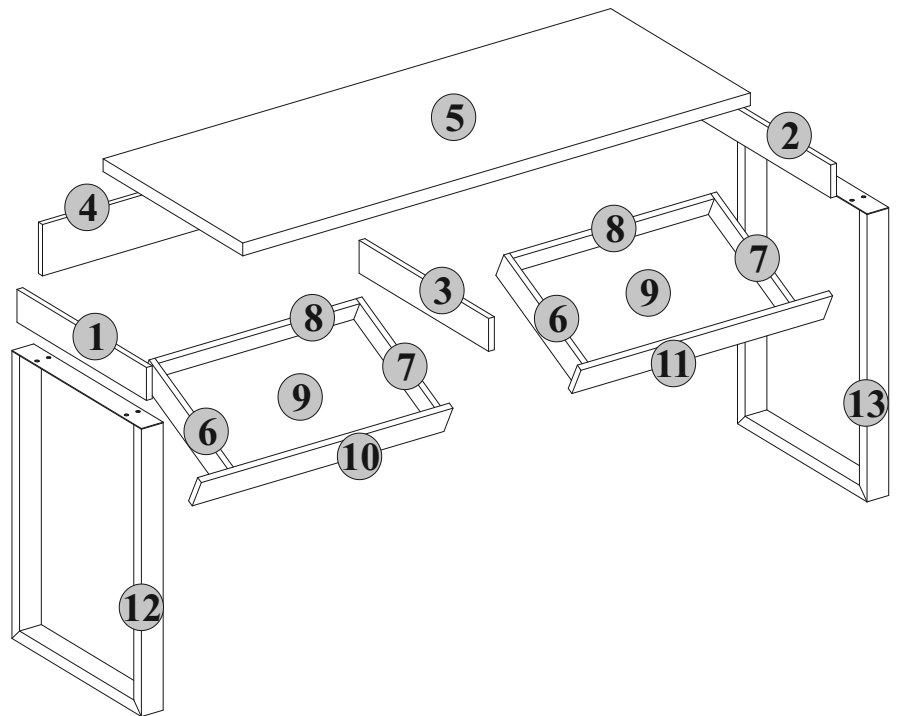
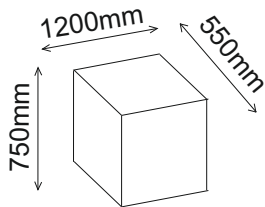
5








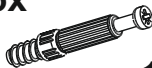
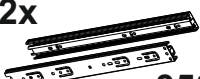
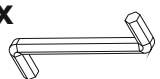





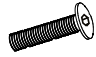



5

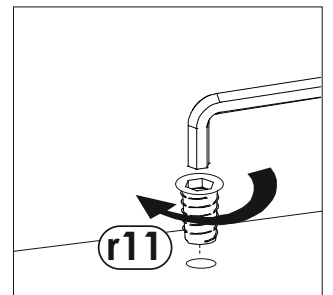
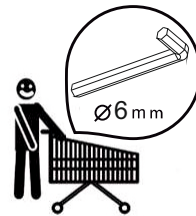
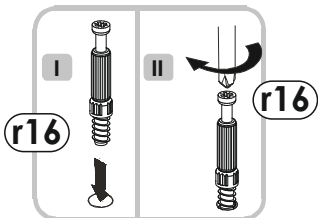
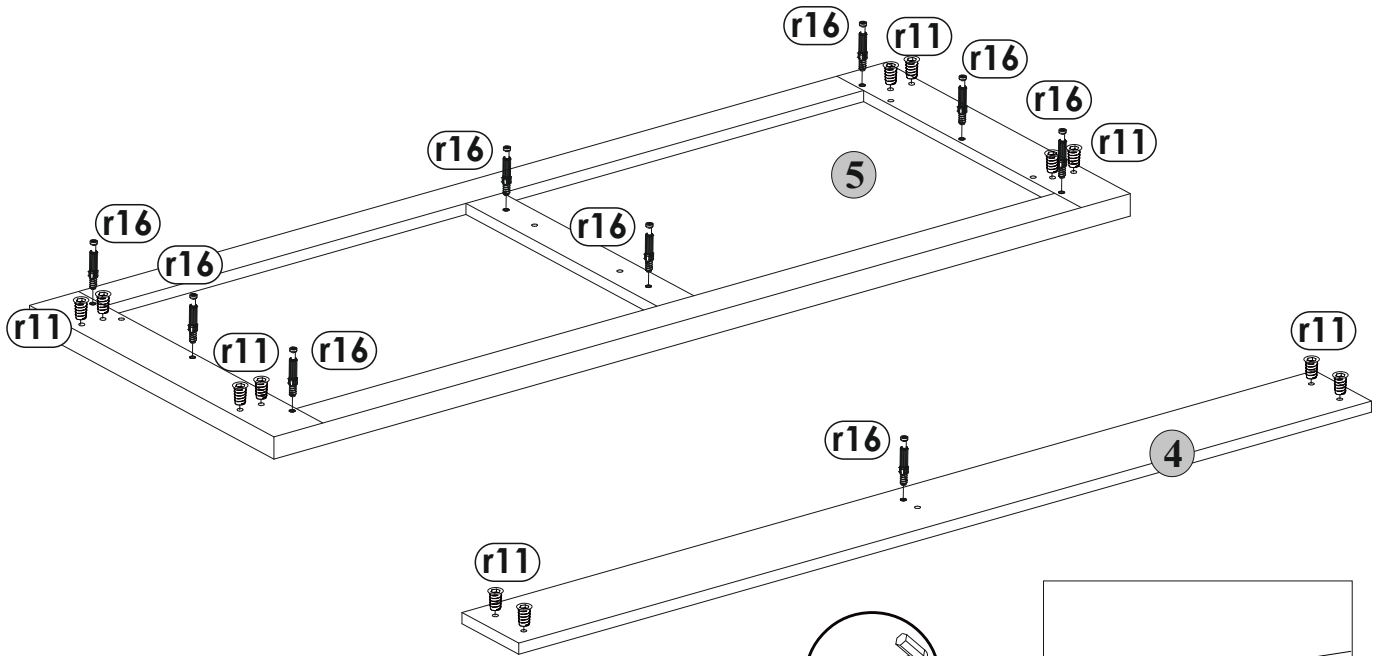
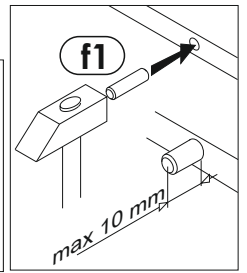
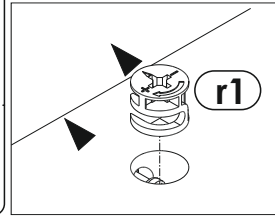
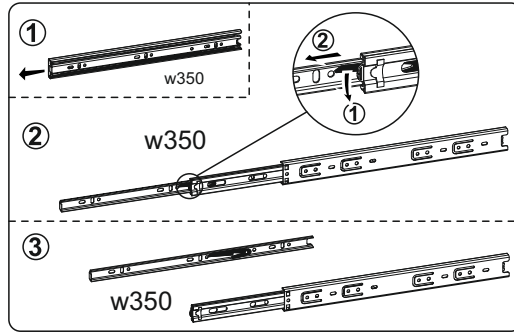
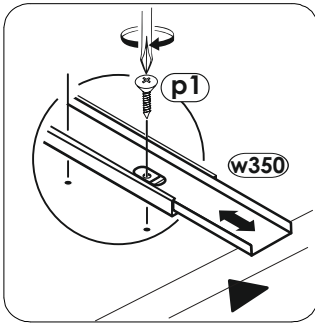
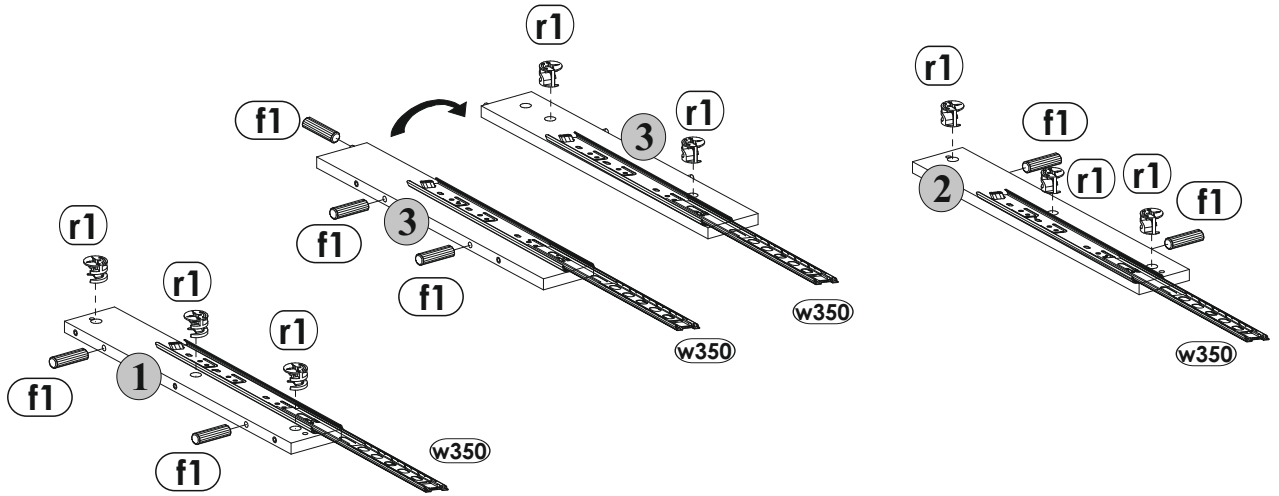


| number | Measurements | Pcs. |
|--------|--------------|------|
| 1 | 82x510 | 1 |
| 2 | 82x510 | 1 |
| 3 | 82x510 | 1 |
| 4 | 1194x128 | 1 |
| 5 | 1200x550 | 1 |
| 6 | 350x70 | 2 |
| 7 | 350x70 | 2 |
| 8 | 455x70 | 2 |
| 9 | 455x334 | 2 |
| 10 | 594x80 | 1 |
| 11 | 594x80 | 1 |
| 12 | 716x510x60 | 1 |
| 13 | 716x510x60 | 1 |

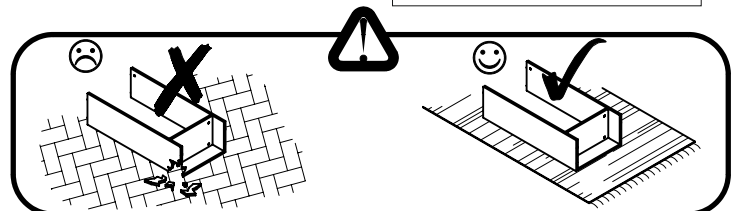
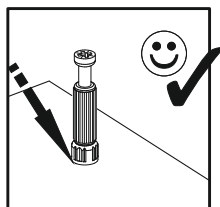
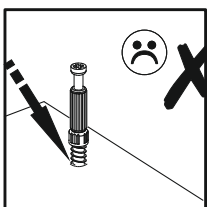


| | | | | | |
|---|---|--|---|---|--|
| 15x  $\phi 15$ #16 r1 | 15x  s2 | 4x  $\phi 6 \times 45$ mm j12 | 12x  r11 | 2x  c234 | 2x  o21 |
| 4x  $\phi 3.5 \times 25$ mm p8 | 15x  r16 | 2x  w350 | 1x  z1 | 8x  s1 | 24x  $\phi 3.5 \times 13$ mm p1 |
| 4x  $\phi 24$ mm k22 | 9x  $\phi 8 \times 30$ mm f1 | 8x  $\phi 6 \times 20$ mm j10 | 4x  $\phi 6 \times 30$ mm j8 | 8x  7x50 e1 | 1 |

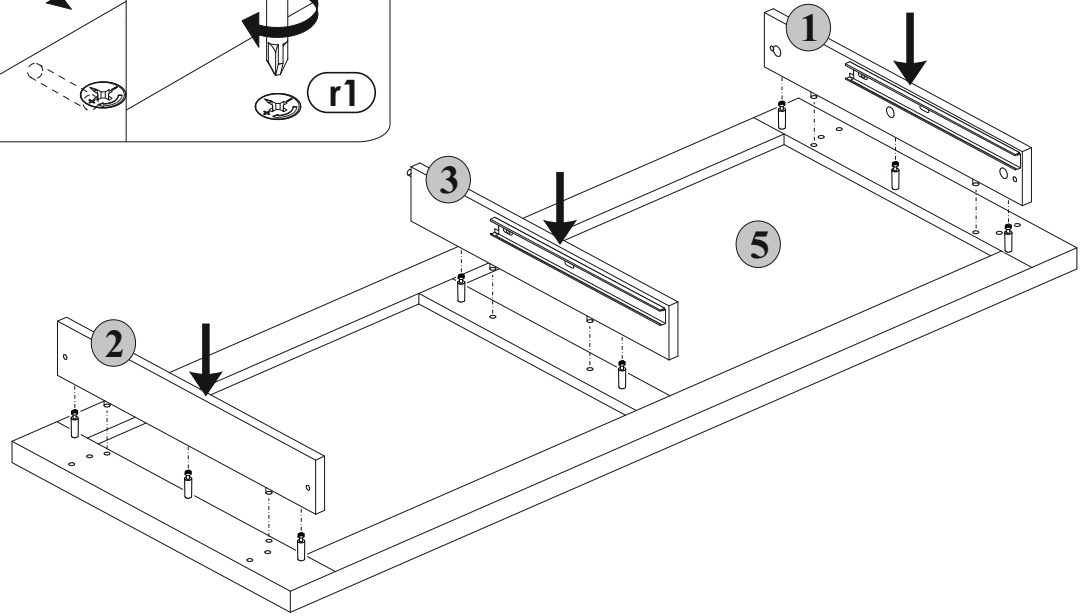
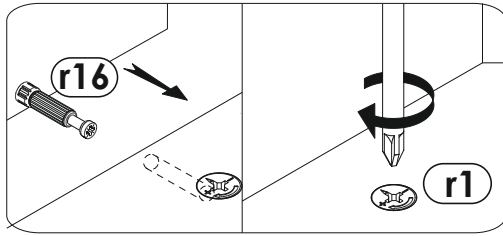
I



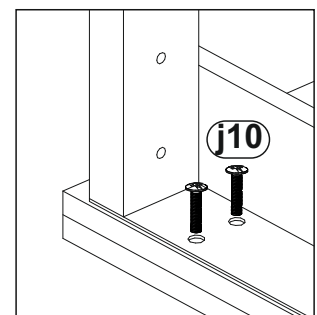
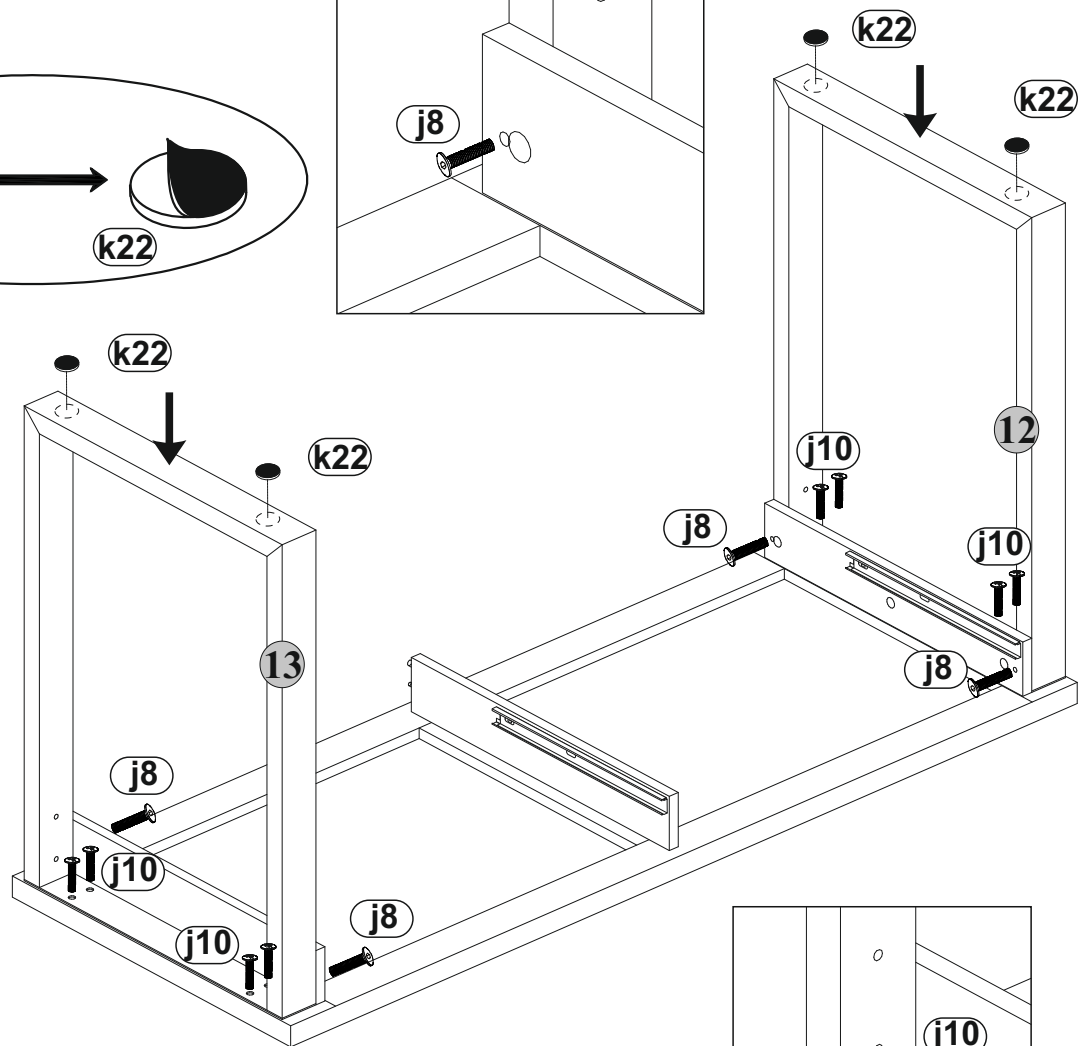
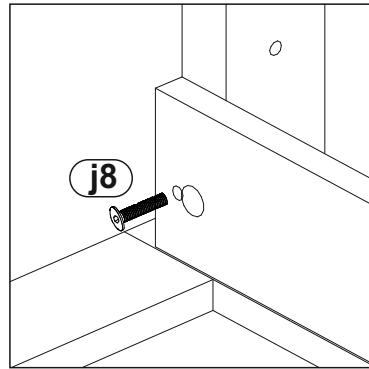
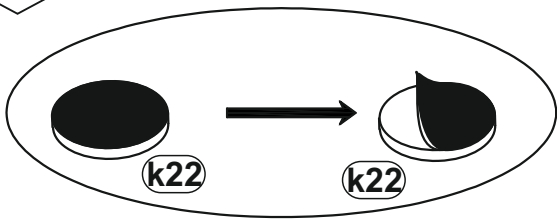
2



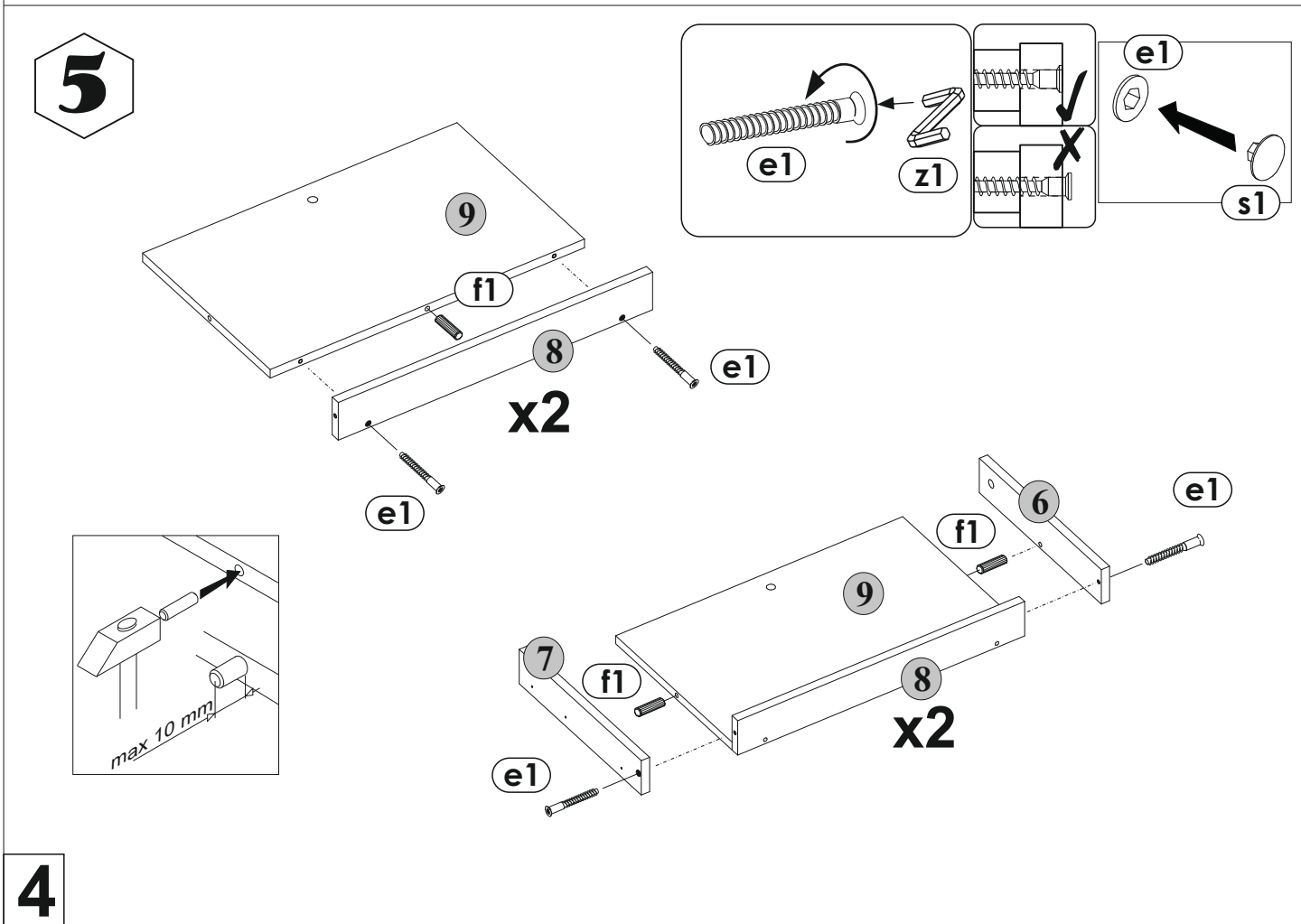
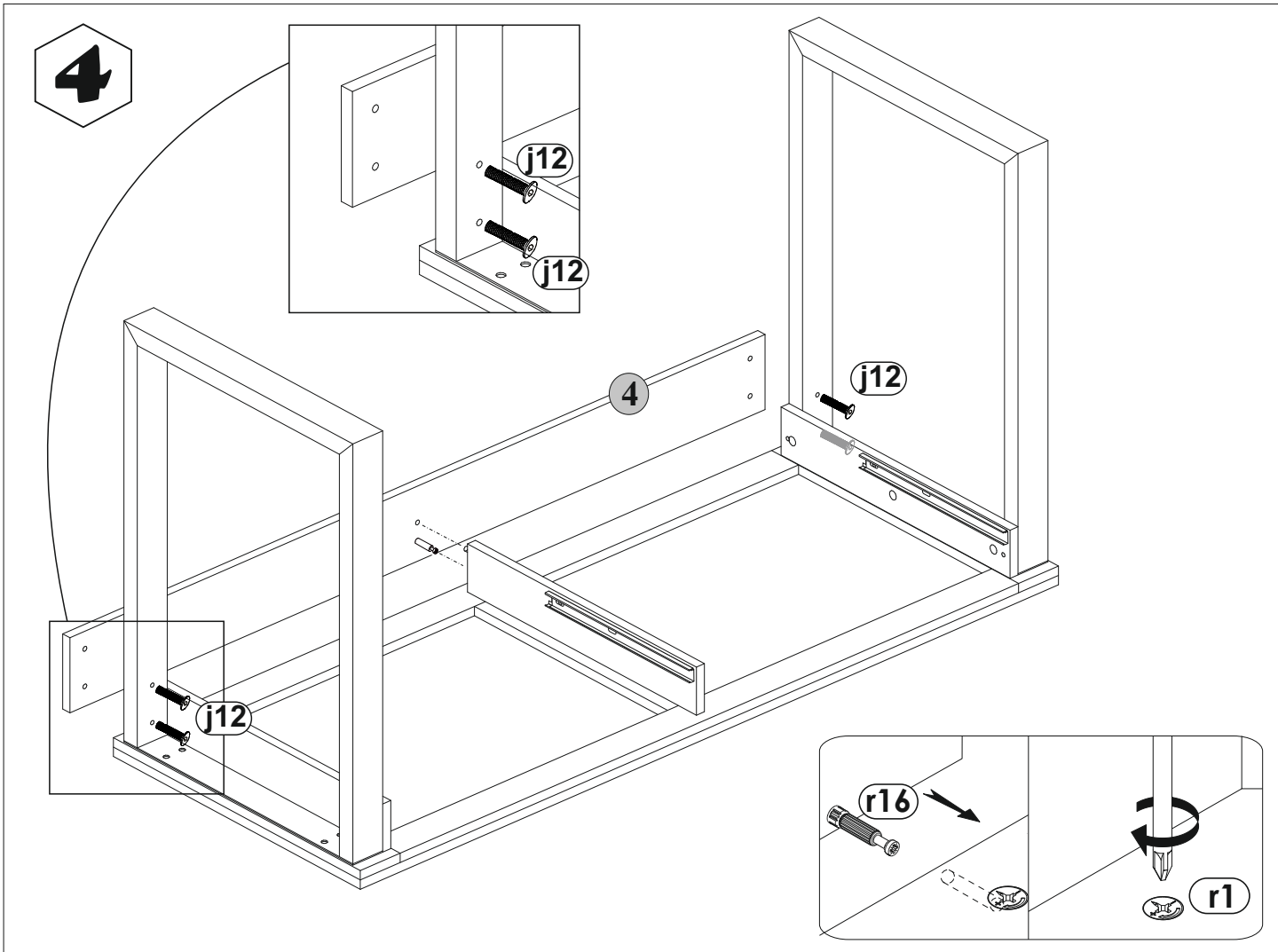
2

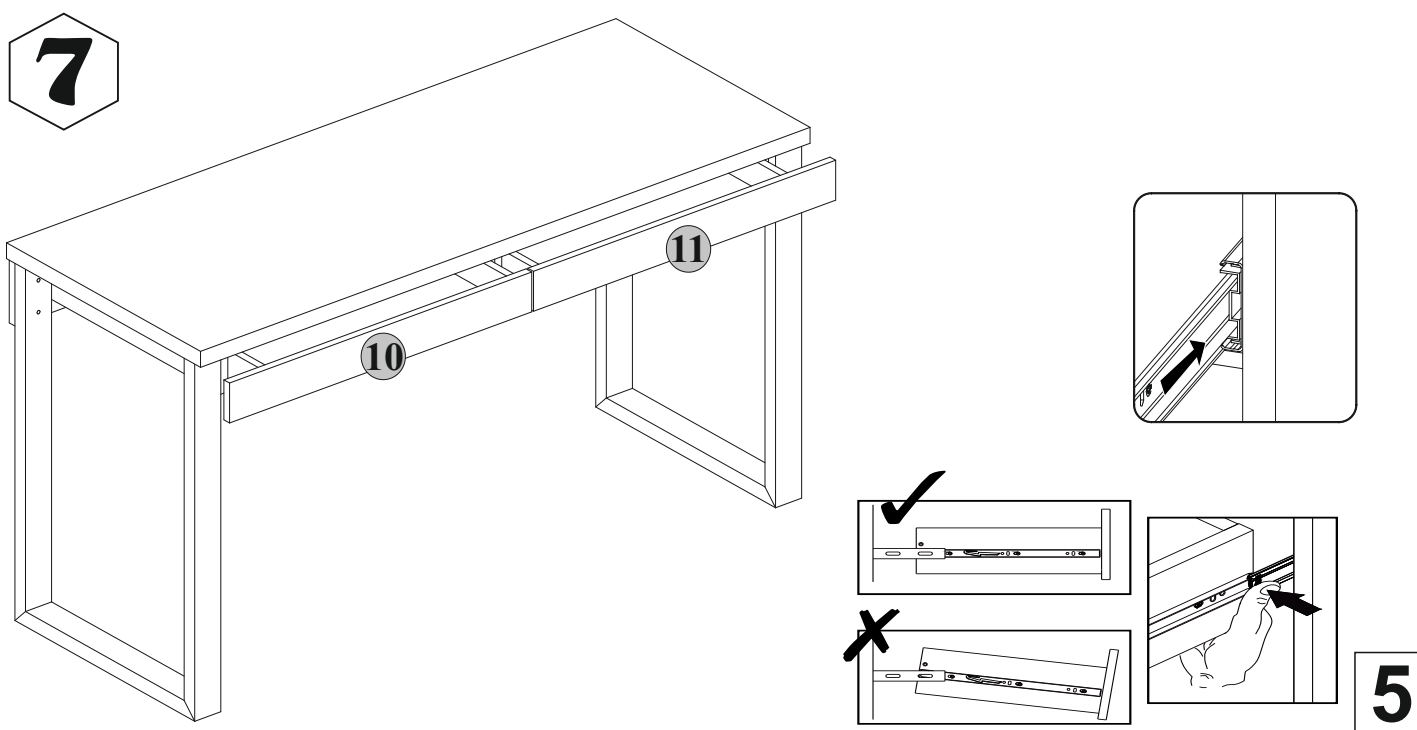
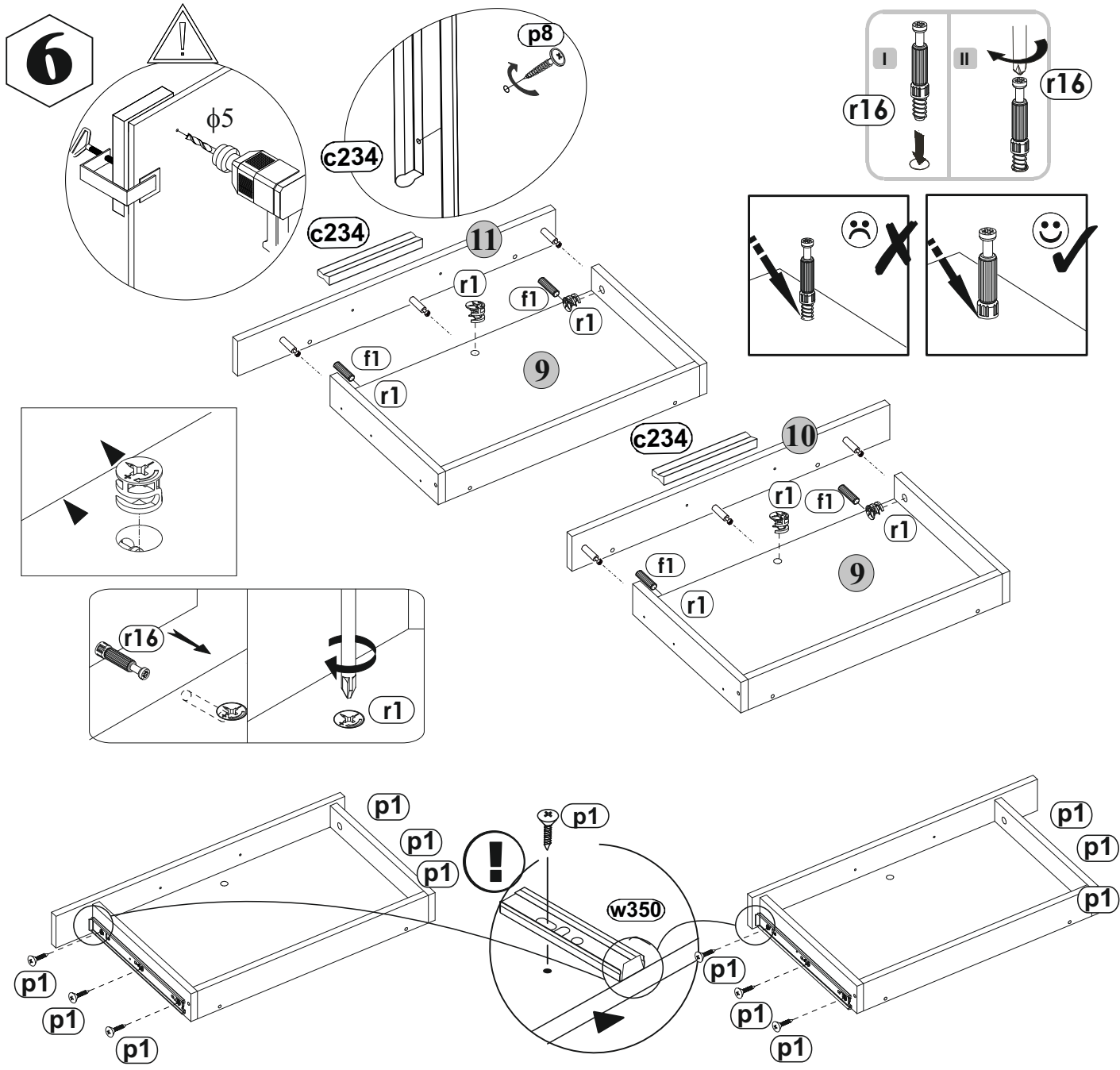


3



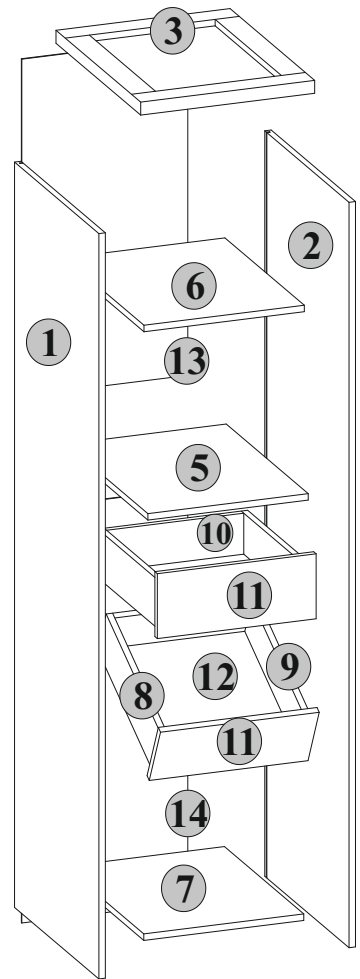
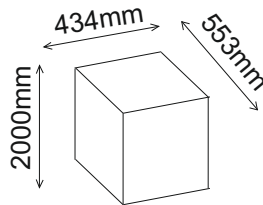
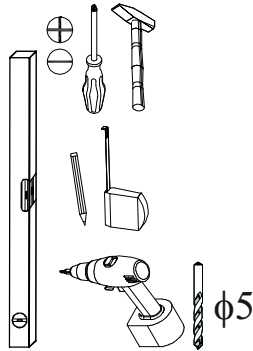
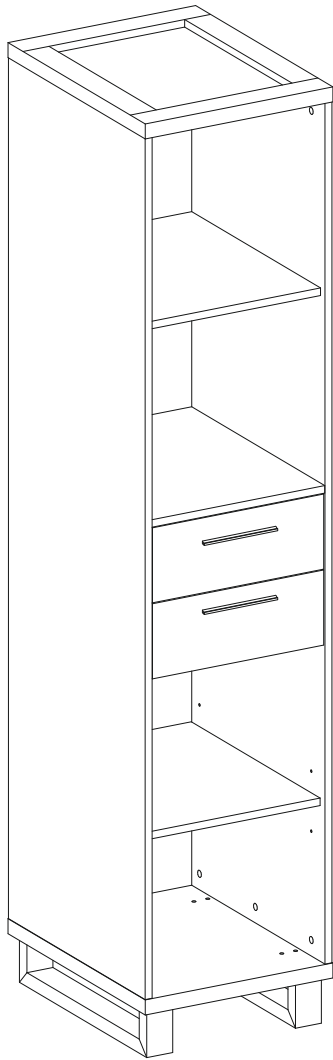
3



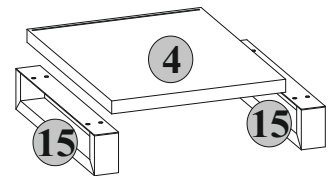


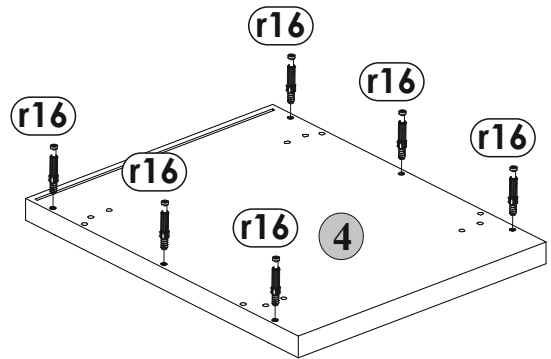
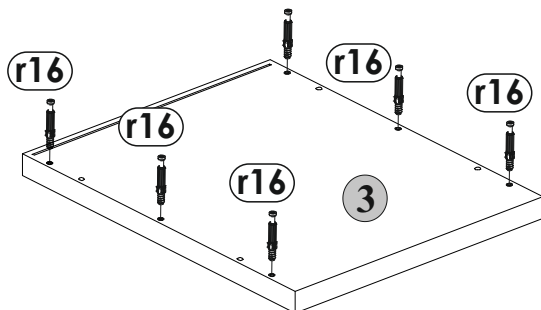
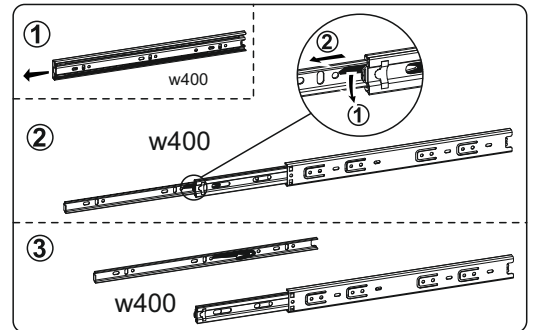
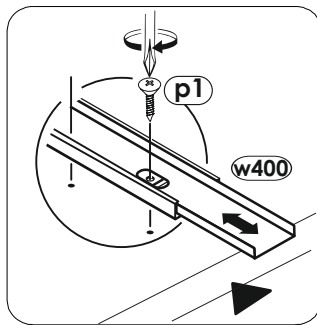
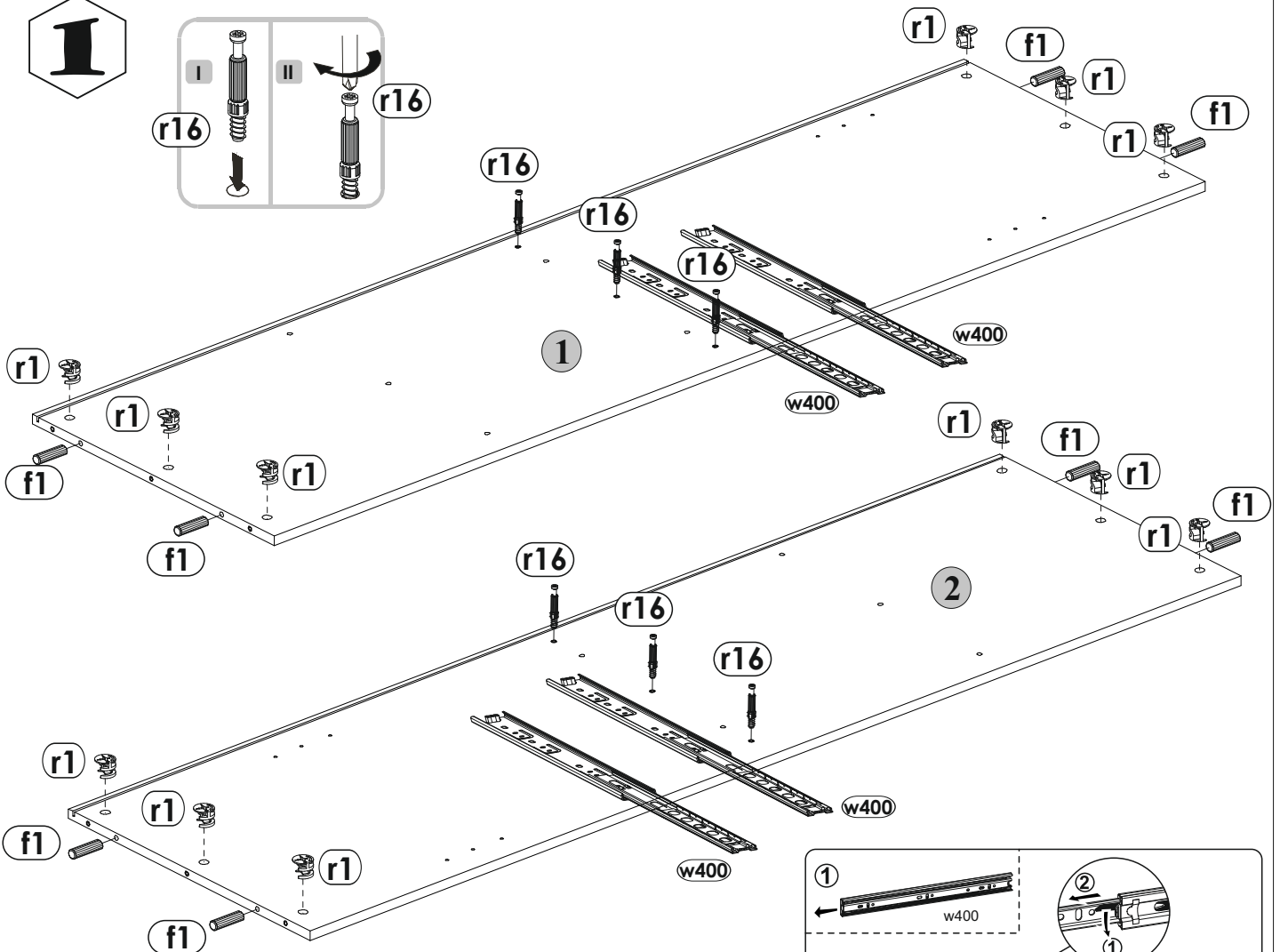
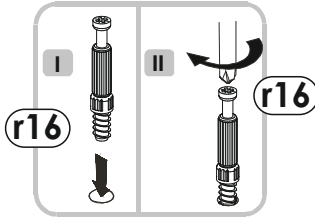
| number | Measurements | Pcs. |
|--------|--------------|------|
| 1 | 1836x548 | 1 |
| 2 | 1836x548 | 1 |
| 3 | 434x550 | 1 |
| 4 | 434x550 | 1 |
| 5 | 400x533 | 1 |
| 6 | 400x516 | 1 |
| 7 | 399x516 | 1 |
| 8 | 400x120 | 2 |
| 9 | 400x120 | 2 |
| 10 | 342x120 | 2 |
| 11 | 394x160 | 2 |

| | | |
|----|------------|---|
| 12 | 352x394 | 2 |
| 13 | 830x414 | 1 |
| 14 | 1018x414 | 1 |
| 15 | 510x100x60 | 2 |

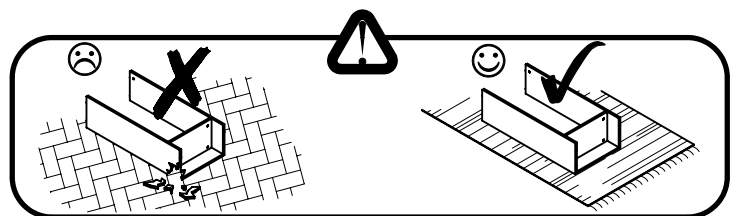
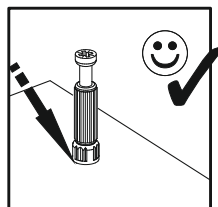
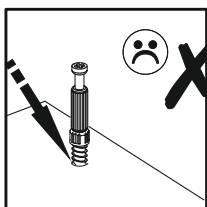


| | | | |
|-------------------------|--------------------------|---------------------------|---------------------------|
| 2x c234 | 3x 3.5 x 20 mm p4 | 2x o21 | 1x z1 |
| 26x φ15 #16 r1 | 26x s2 | 3x i9 | 4x d1 |
| 4x φ3.5x25 mm p8 | 26x r16 | 2x w400 | 24x i2 |
| 4x φ24 mm k22 | 18x φ8x30 mm f1 | 8x j5 ¹ | 8x j5 ² |
| | | | 8x 7x50 e1 |

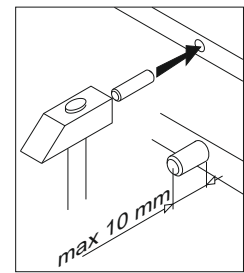
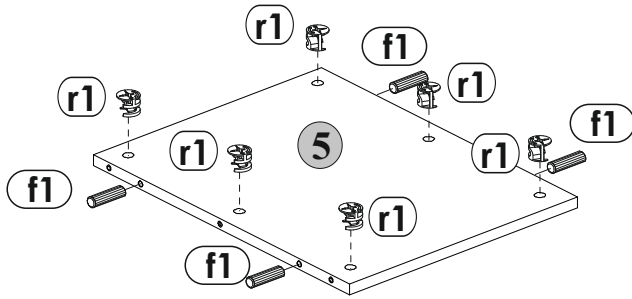
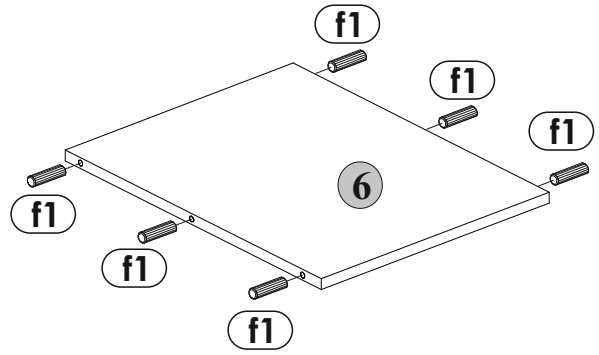
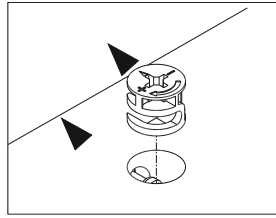




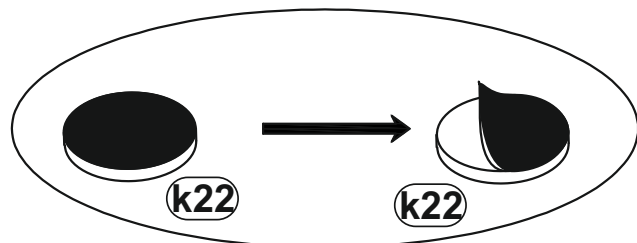
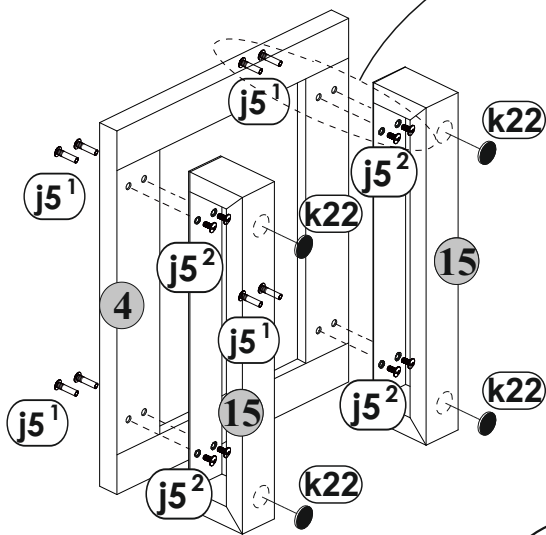
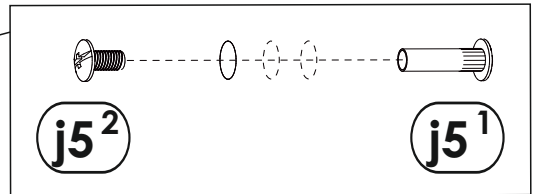
2



2

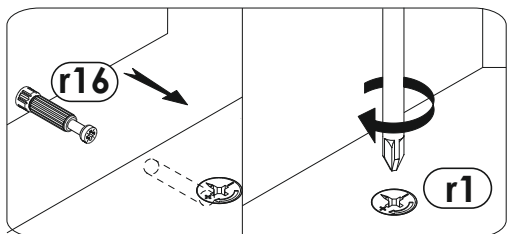
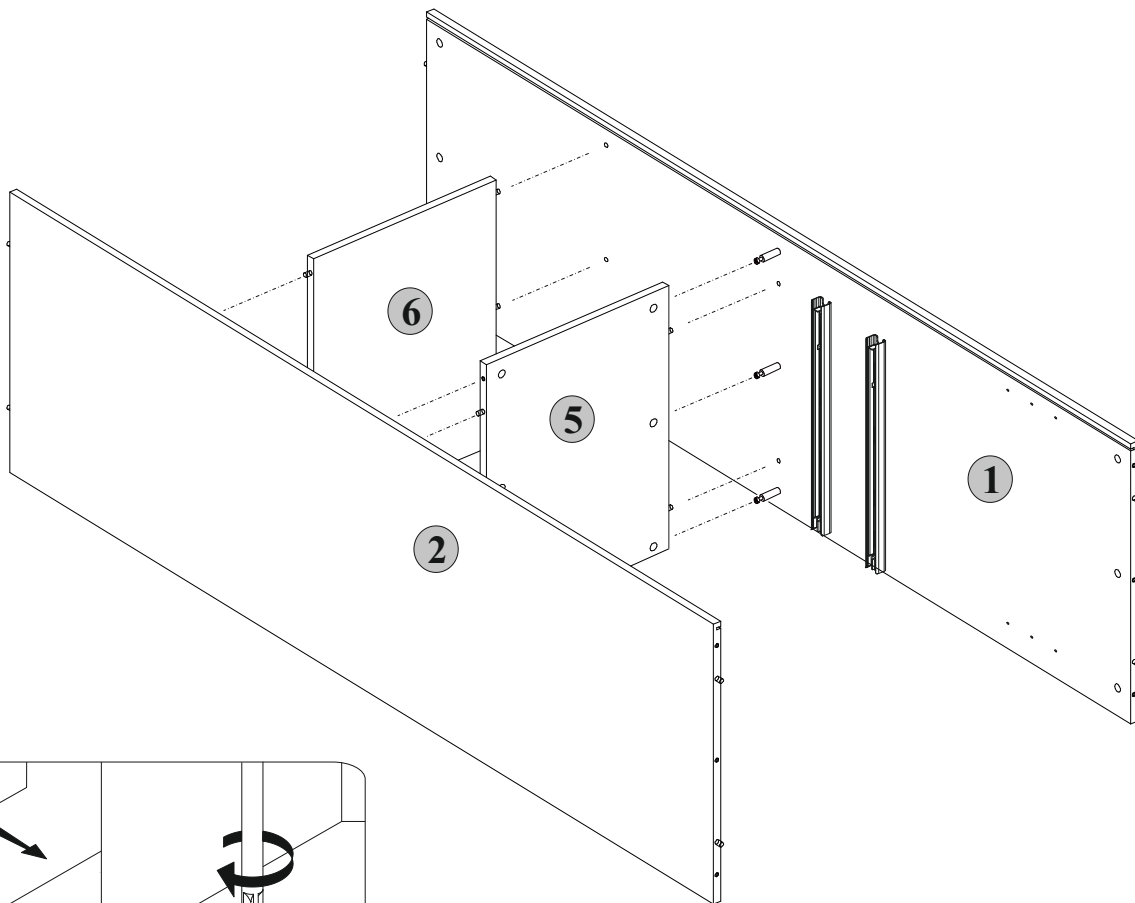


3

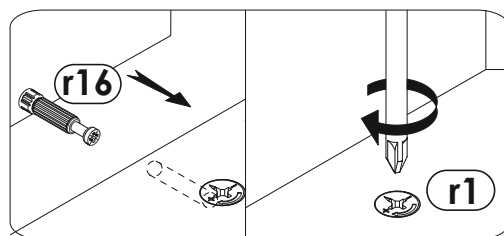
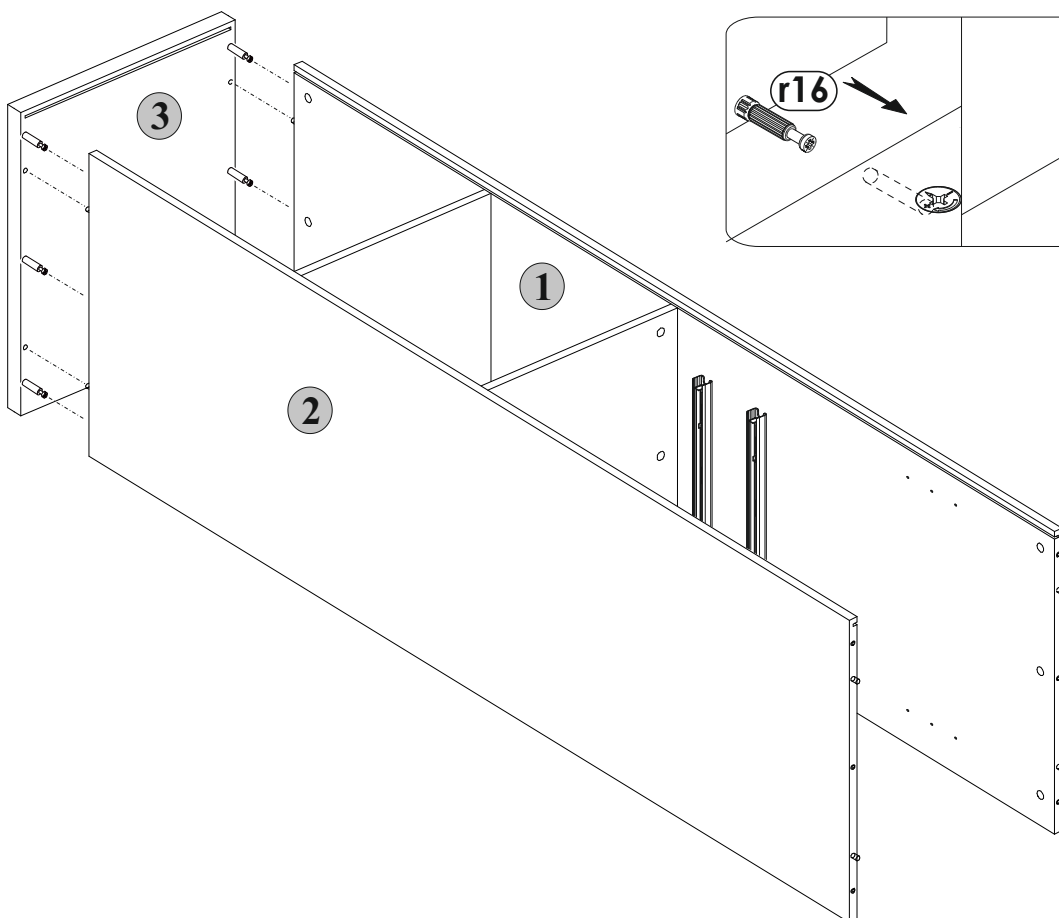


3

4

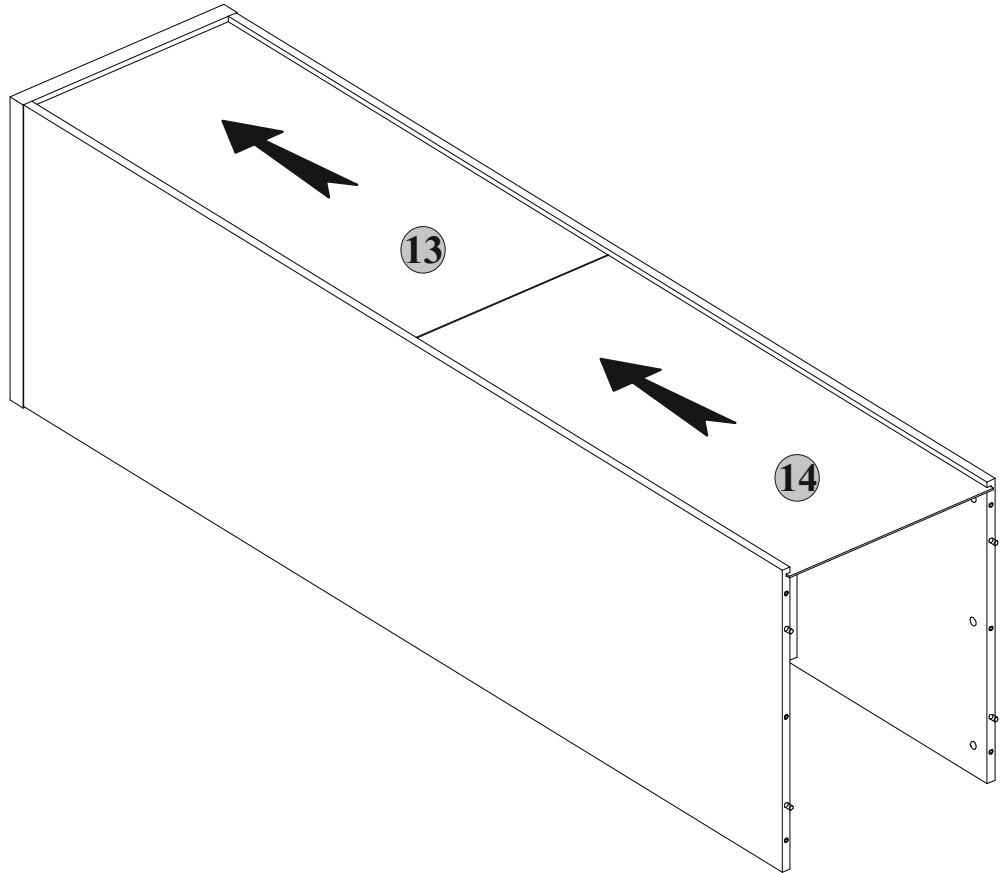


5

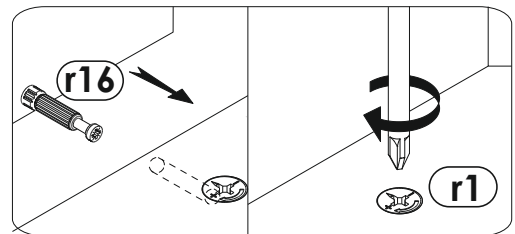
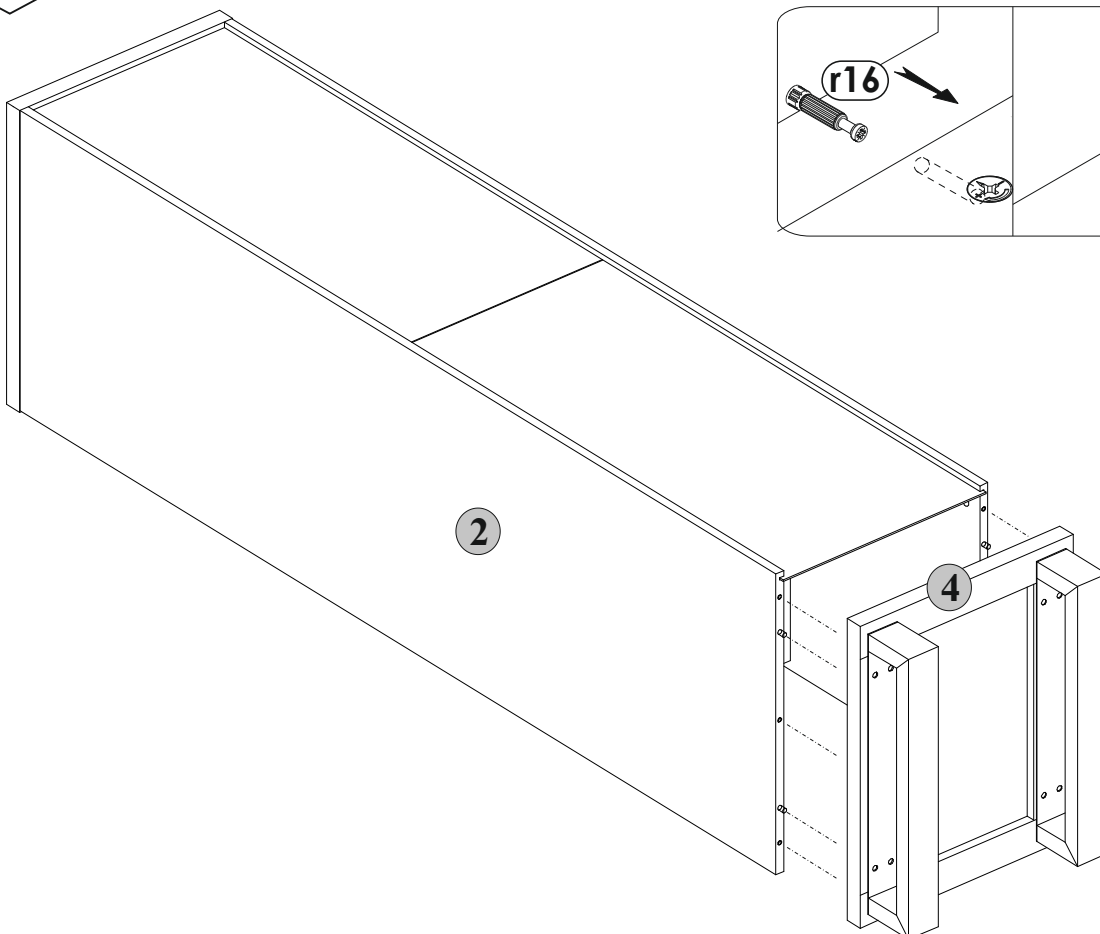


4

6

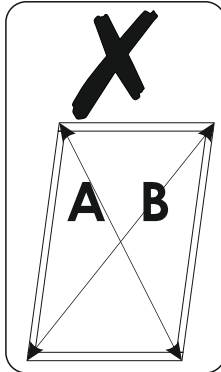
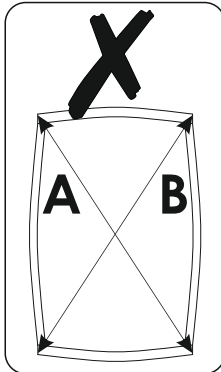
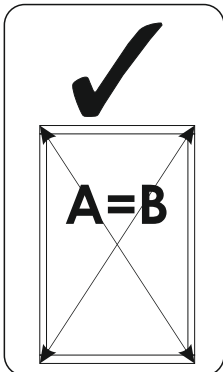
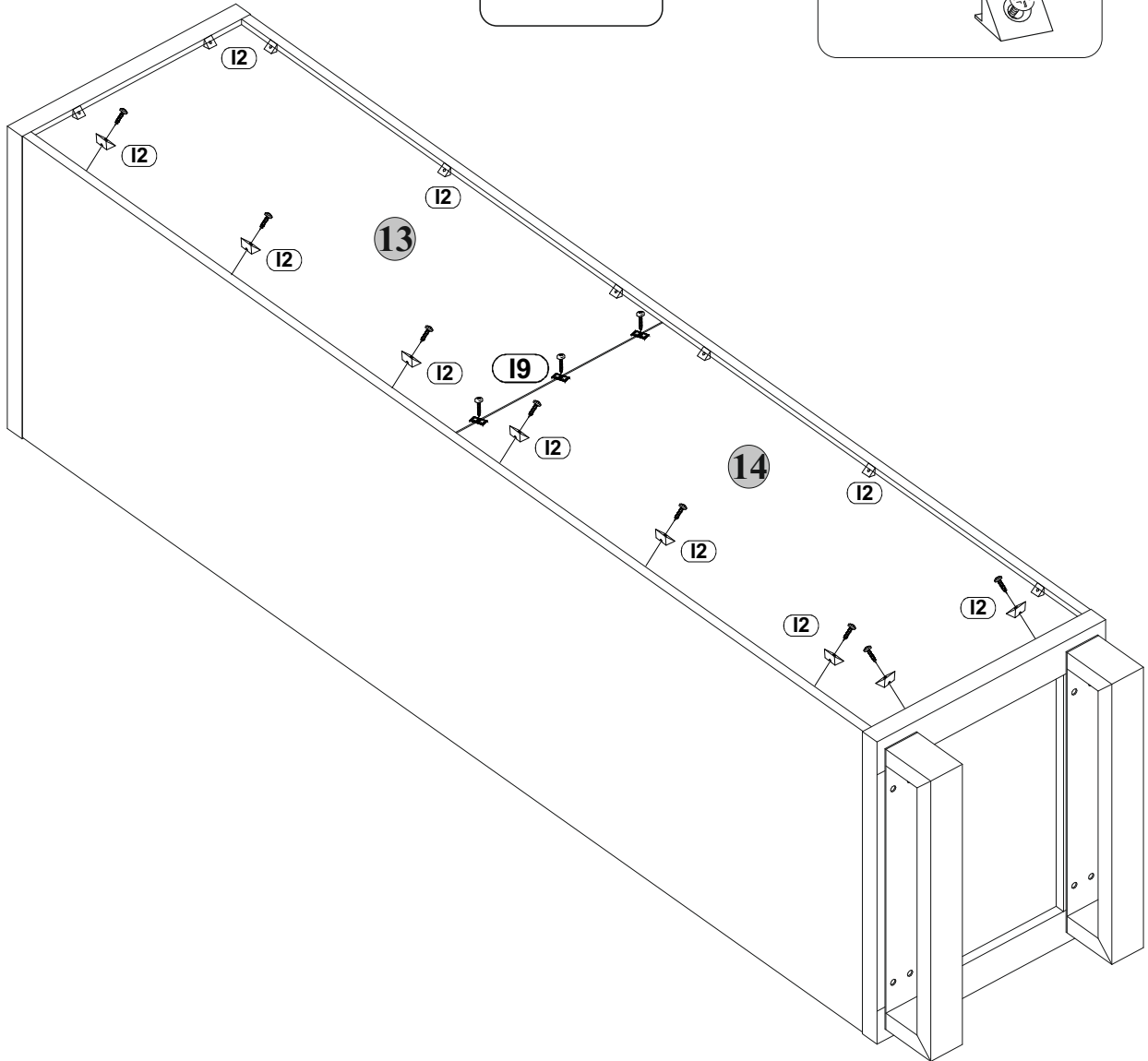
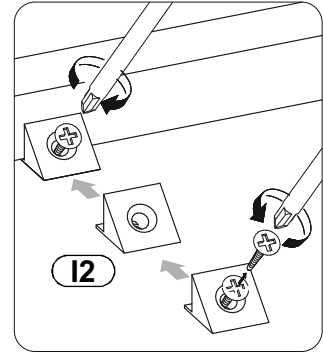
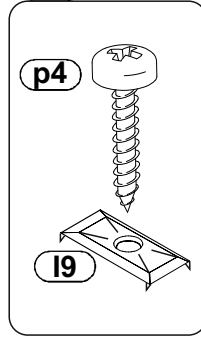


7



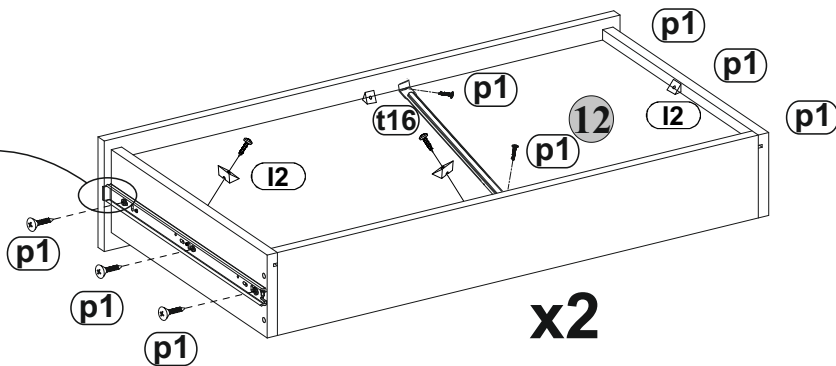
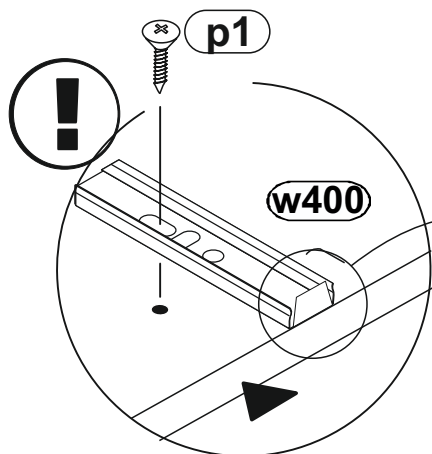
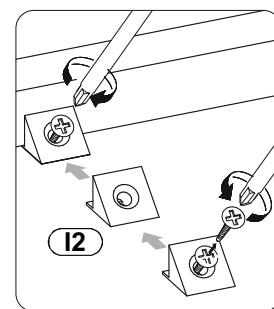
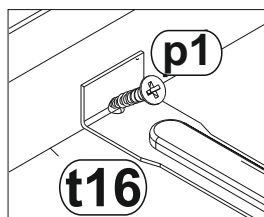
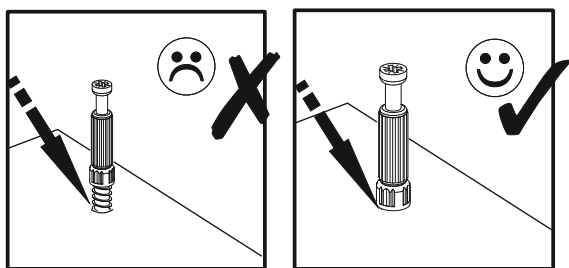
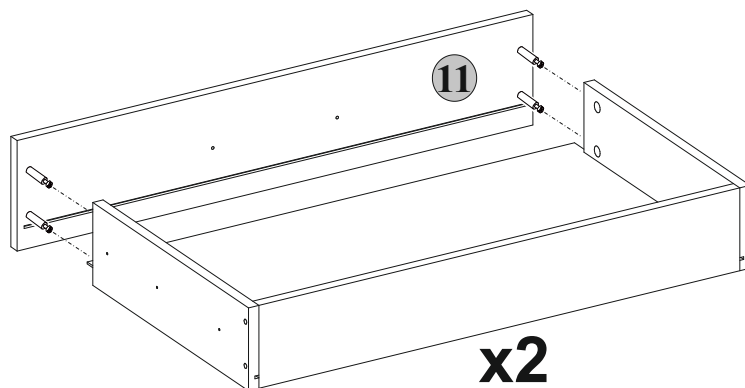
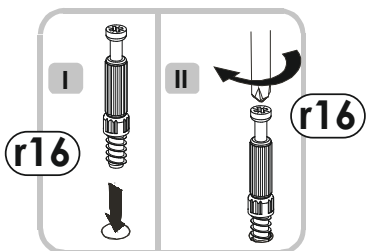
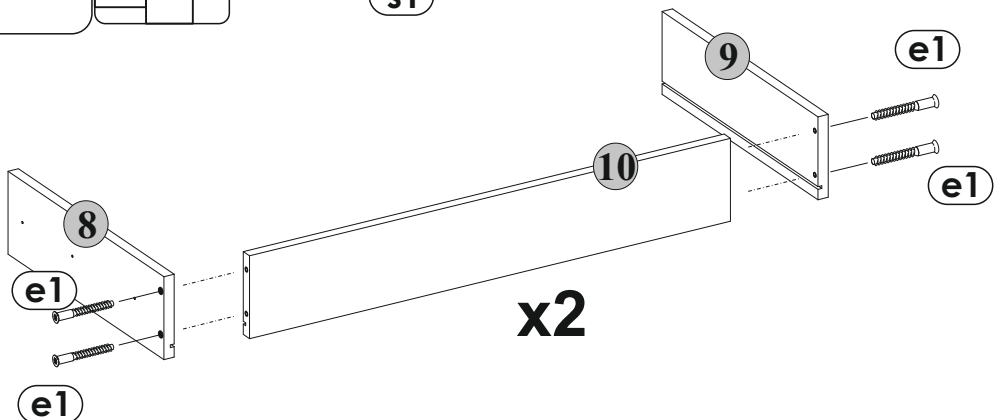
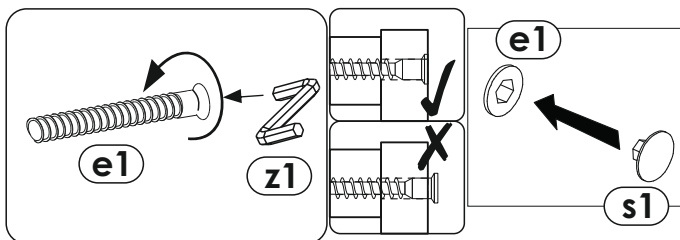
5

8



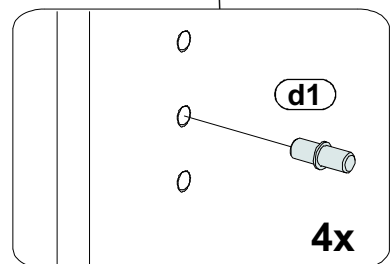
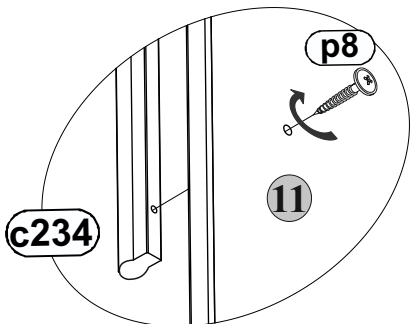
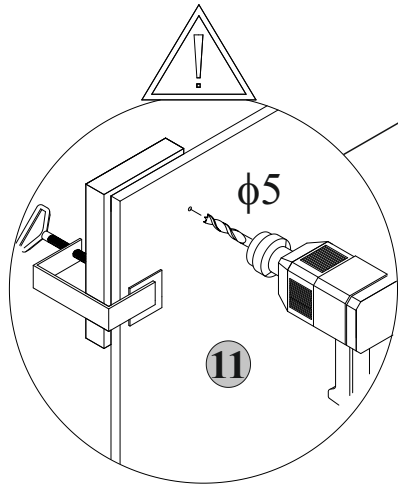
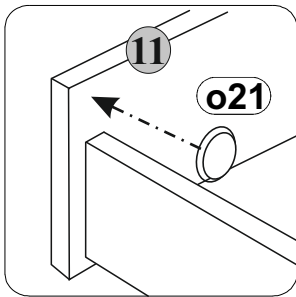
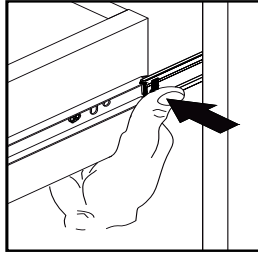
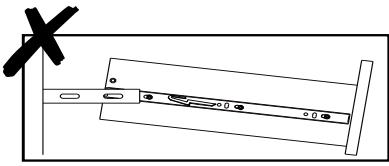
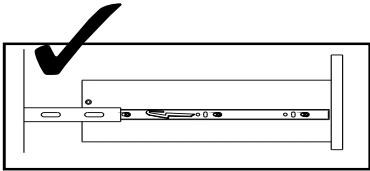
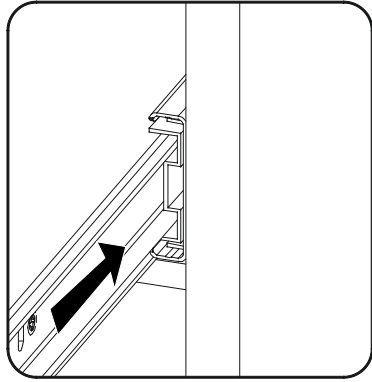
6

9

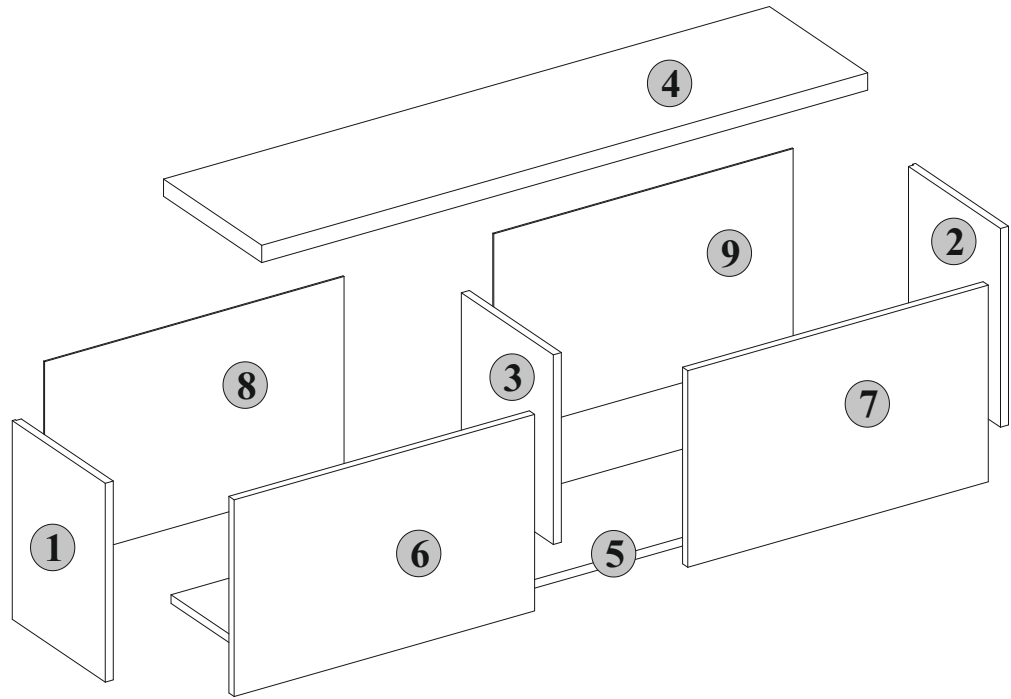
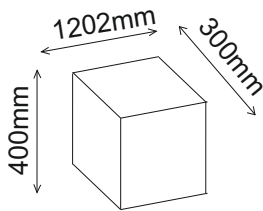
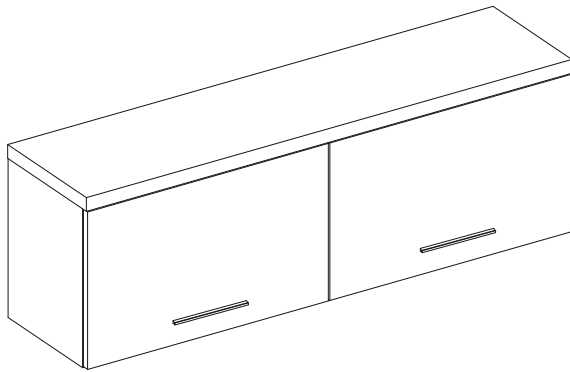
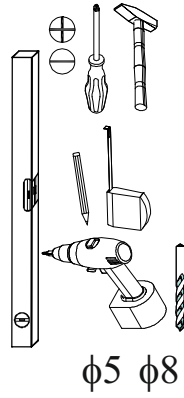




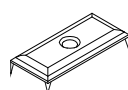

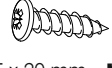


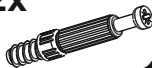
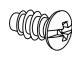



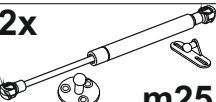

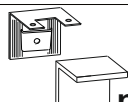
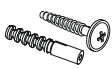
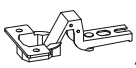
7

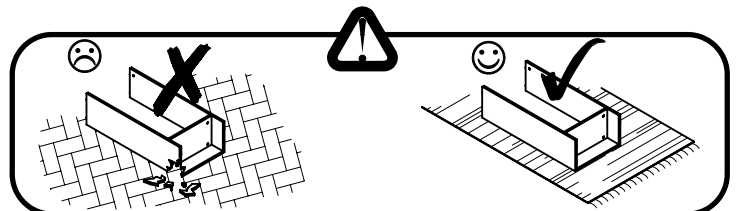
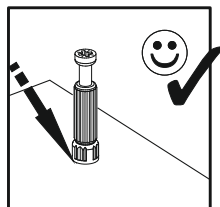
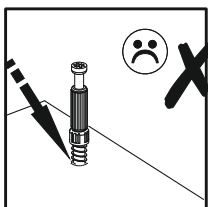
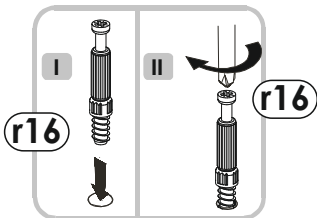
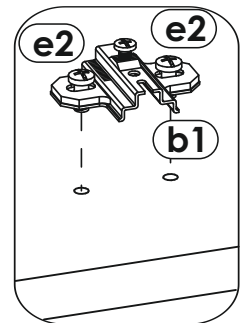
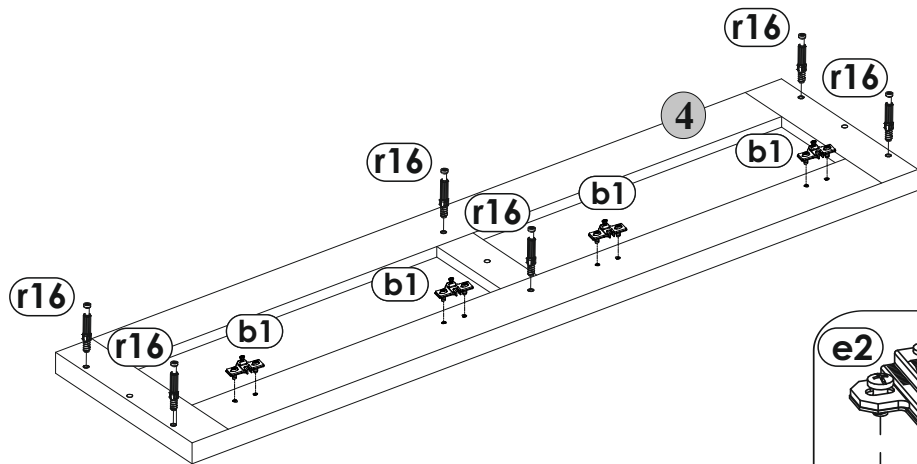
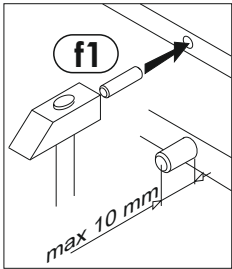
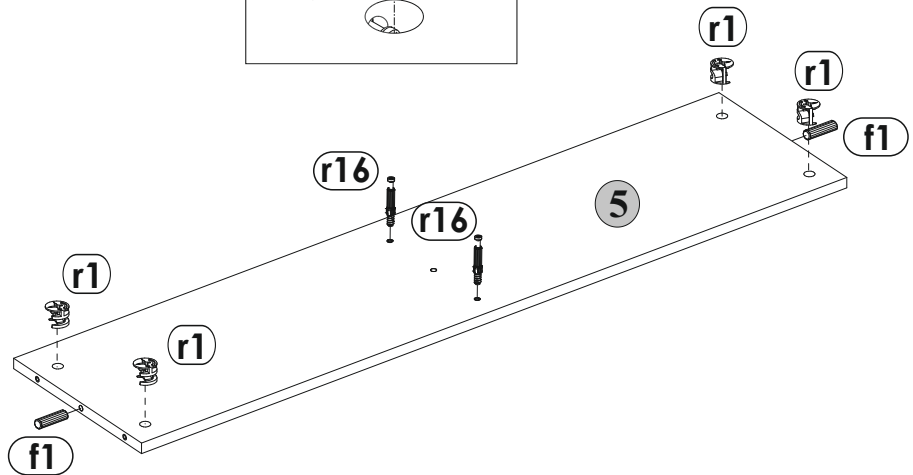
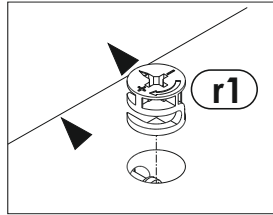
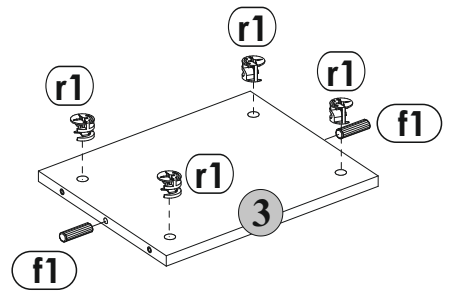
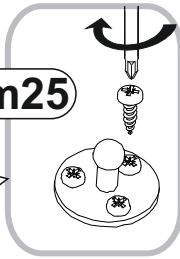
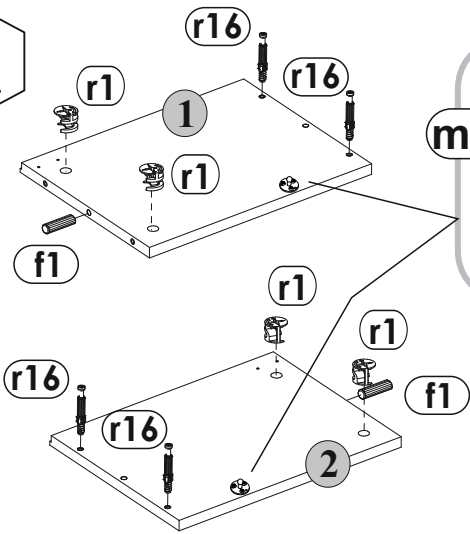
10



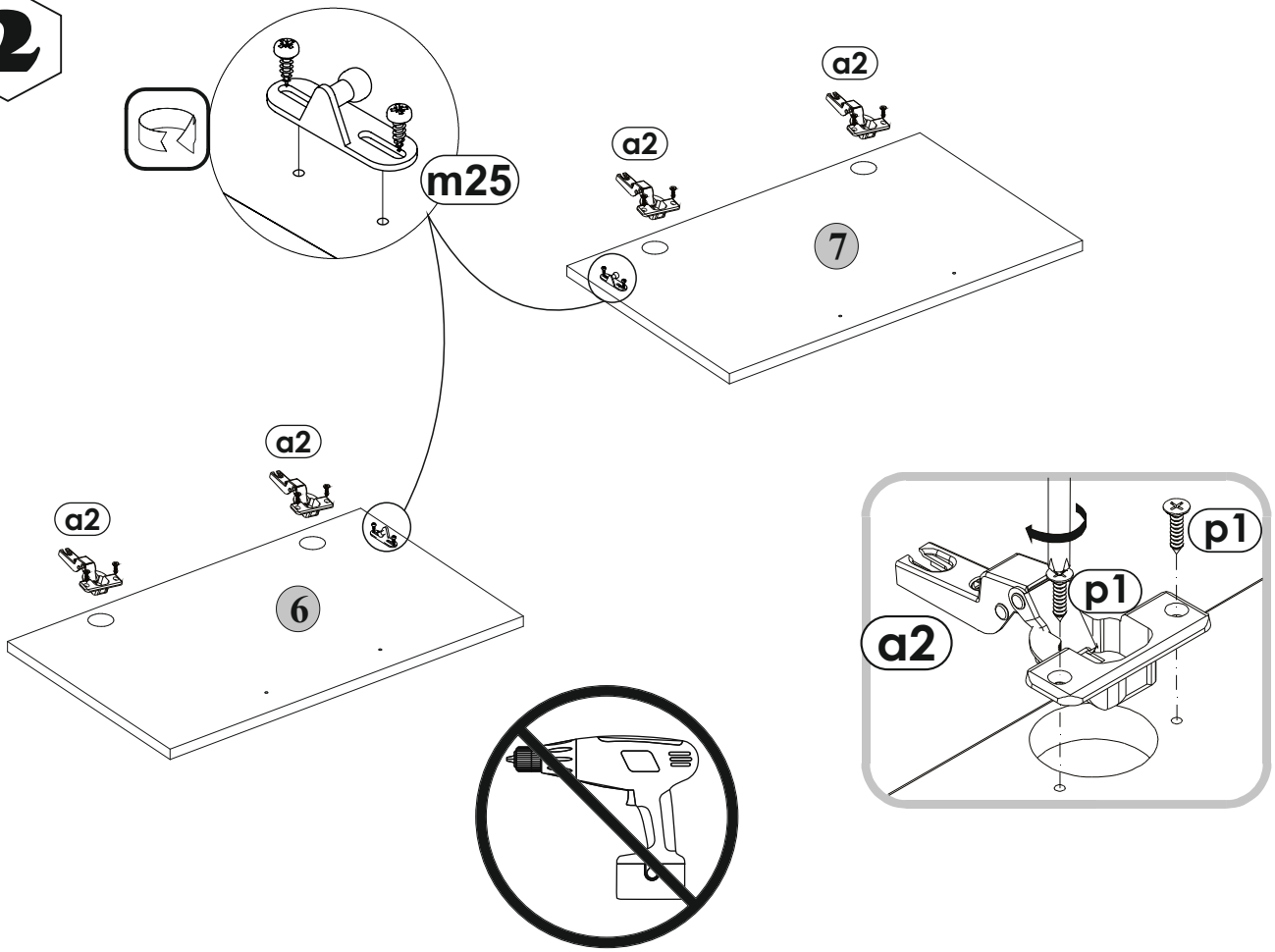
| number | Measurements | Pcs. |
|--------|--------------|------|
| 1 | 368x284 | 1 |
| 2 | 368x284 | 1 |
| 3 | 351x281 | 1 |
| 4 | 1202x300 | 1 |
| 5 | 1168x281 | 1 |
| 6 | 596x364 | 1 |
| 7 | 596x364 | 1 |
| 8 | 375x594 | 1 |
| 9 | 375x594 | 1 |



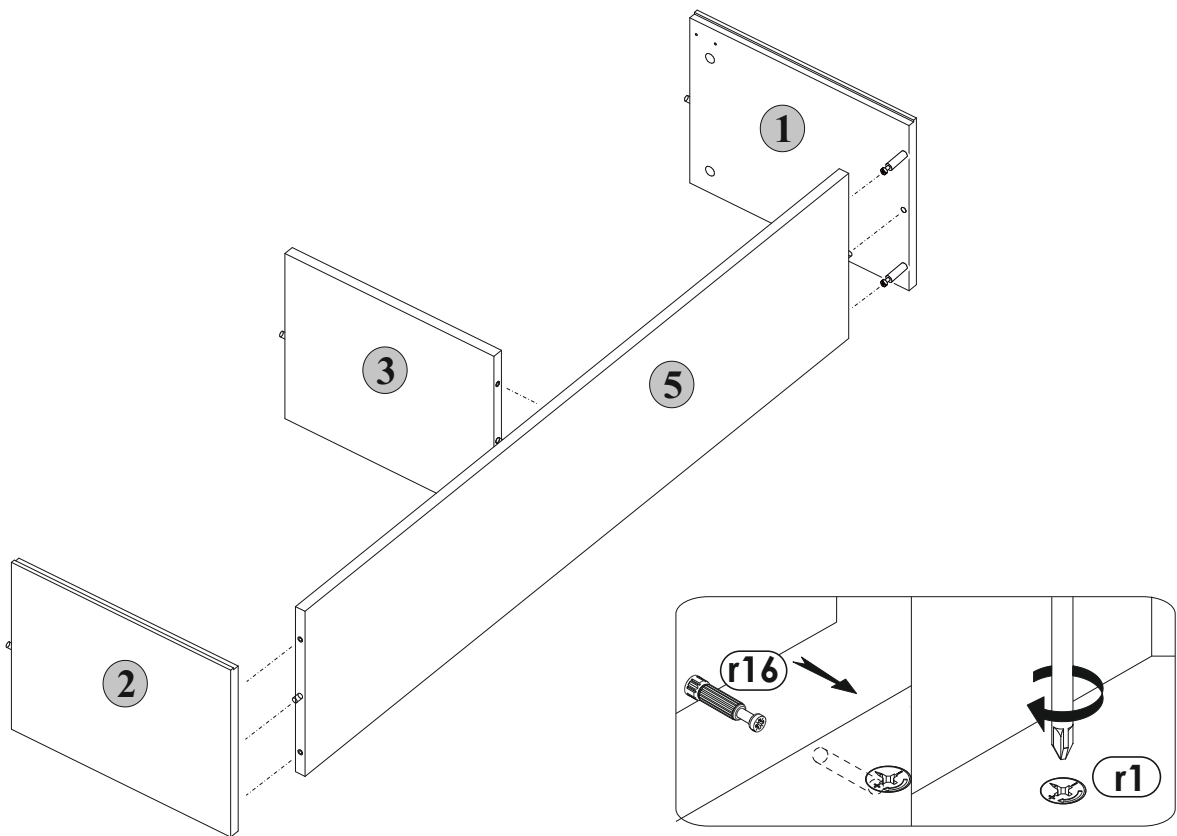
| | | | | | |
|--|--|--|--|---|---|
| 12x  φ15 #16 r1 | 12x  s2 | 2x  i9 | 2x  c234 | 2x  3.5 x 20 mm p4 | 2x  o21 |
| 4x  φ3.5x25 mm p8 | 12x  r16 | 8x  φ6.3x13 mm e2 | 50x  l1 | 4x  b1 | 22x  φ3.5x13 mm p1 |
| 2x  m25 | 6x  φ8x30 mm f1 | 2x  n31 | 2x  t17 | 4x  a1 | 1 |



2

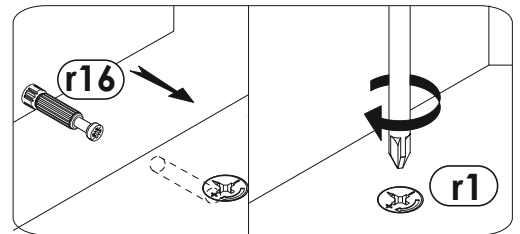
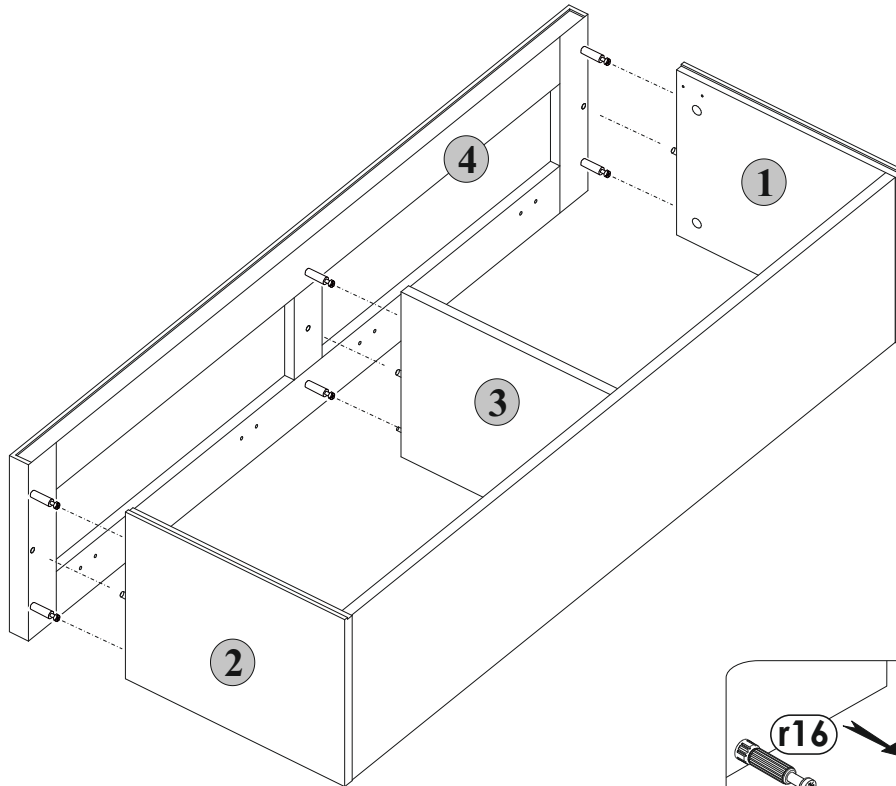


3

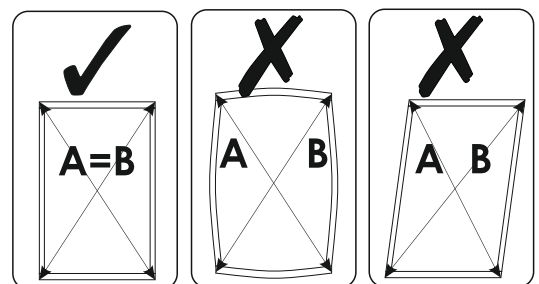
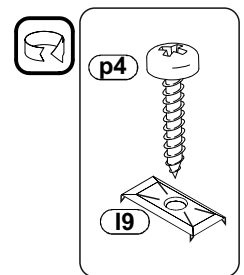
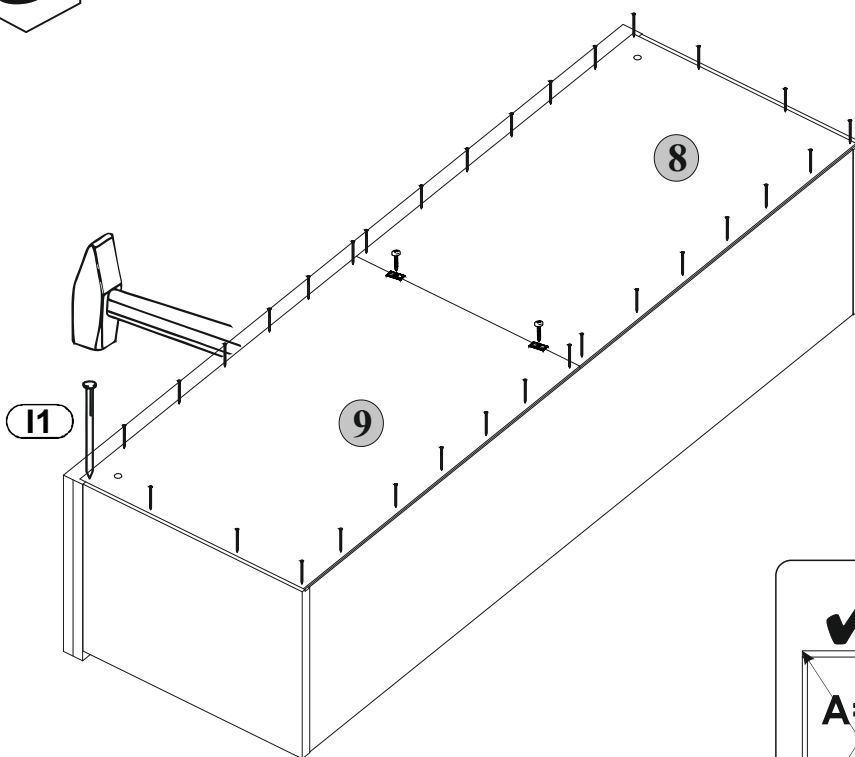


3

4

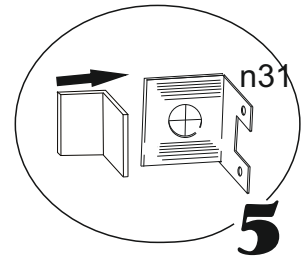
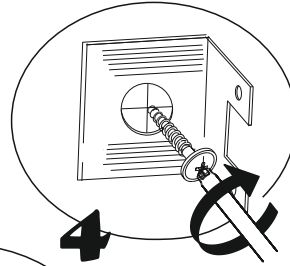
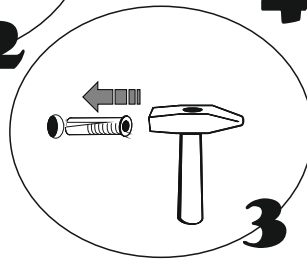
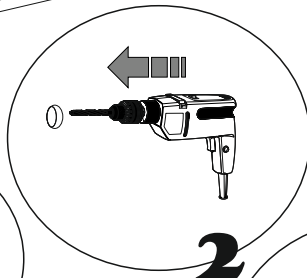
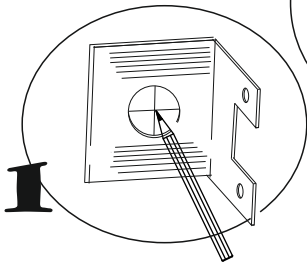
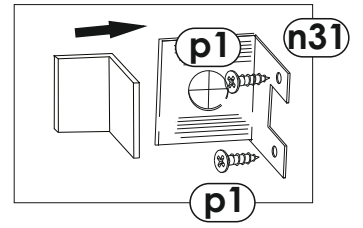
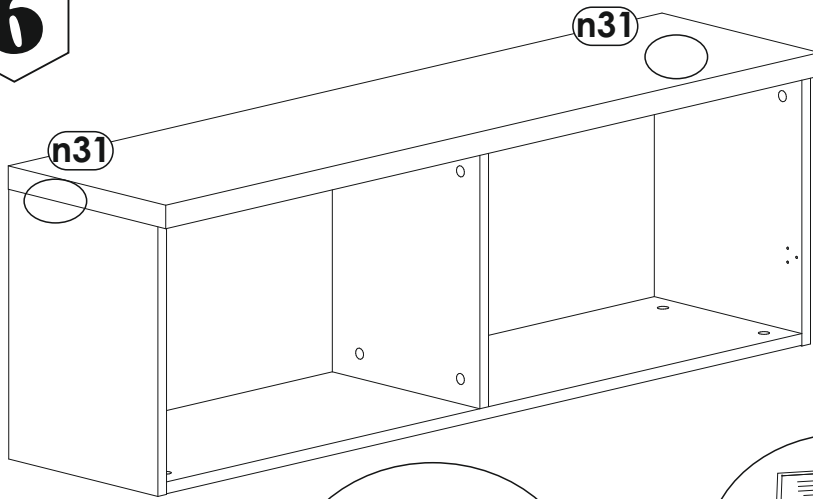


5

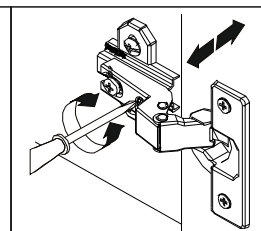
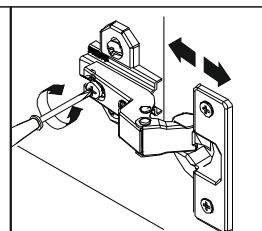
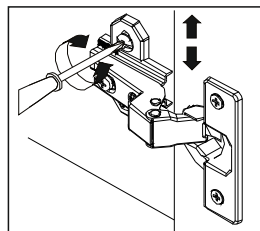
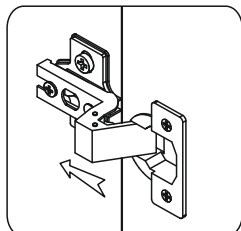
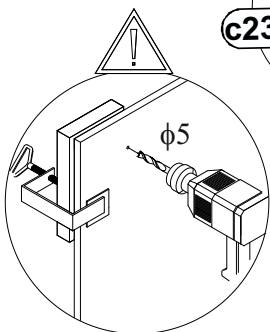
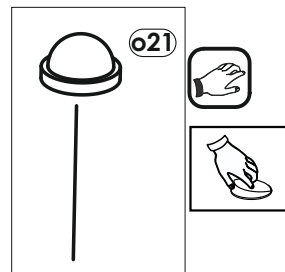
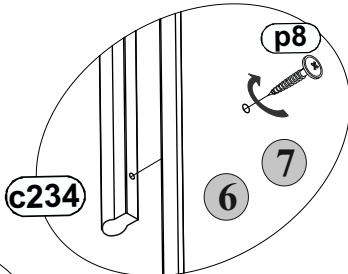
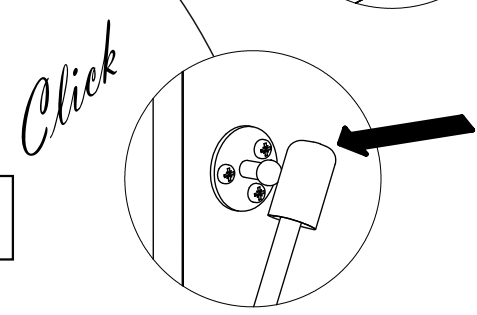
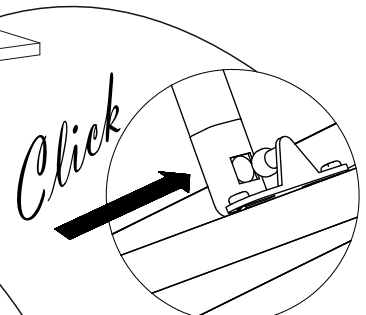
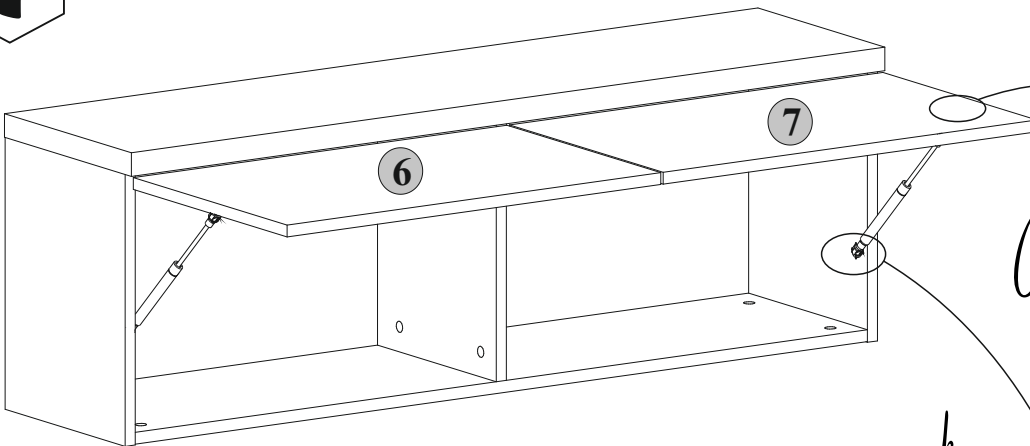


4

6



7



5