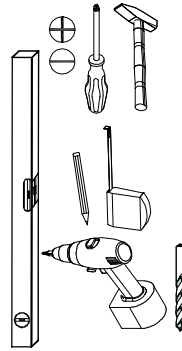
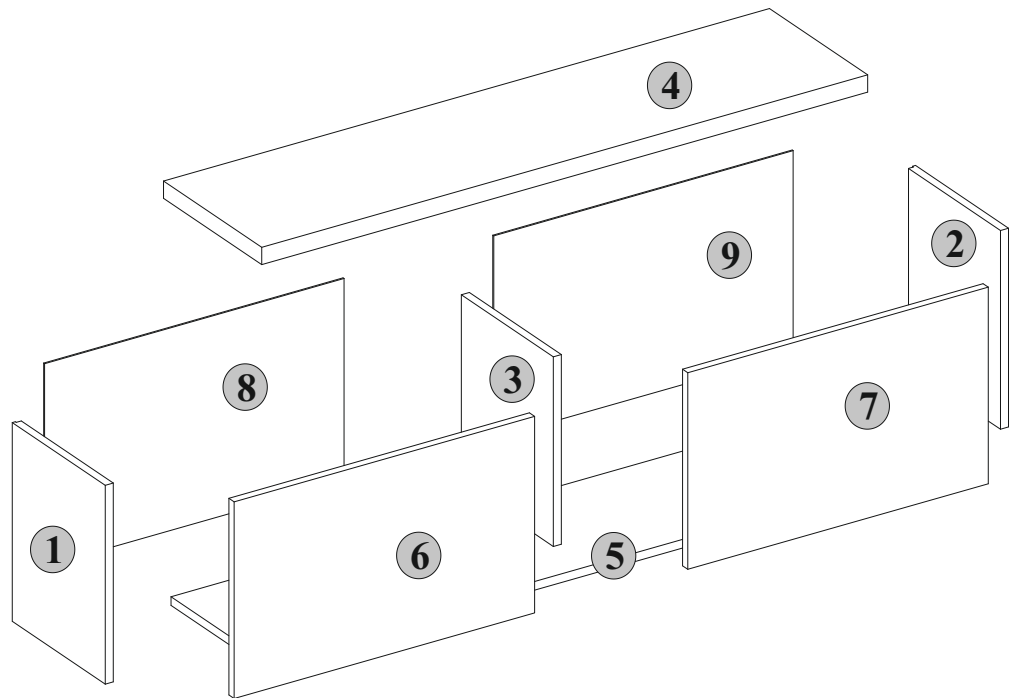
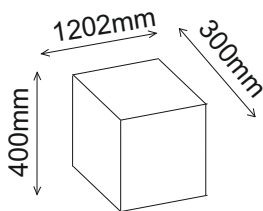
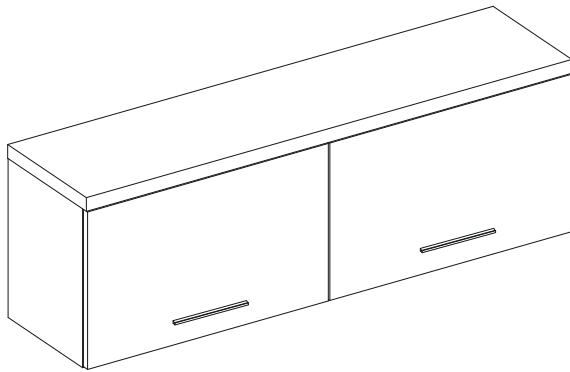


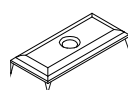




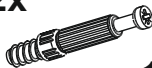
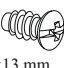



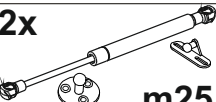

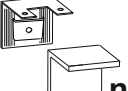
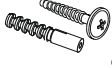



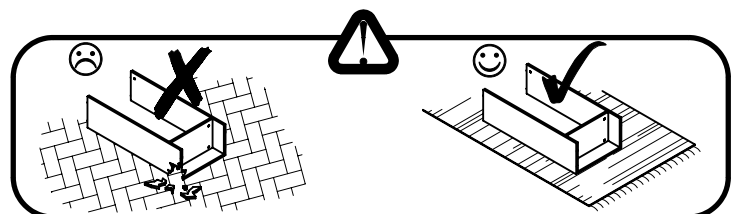
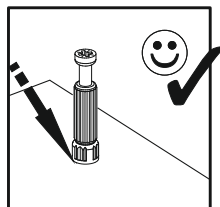
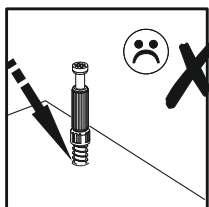
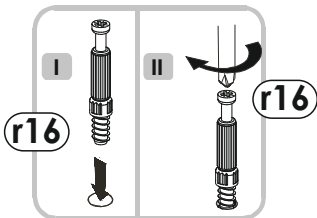
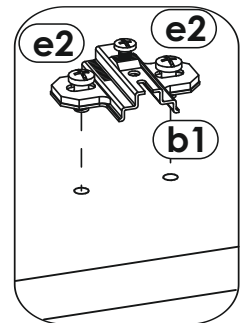
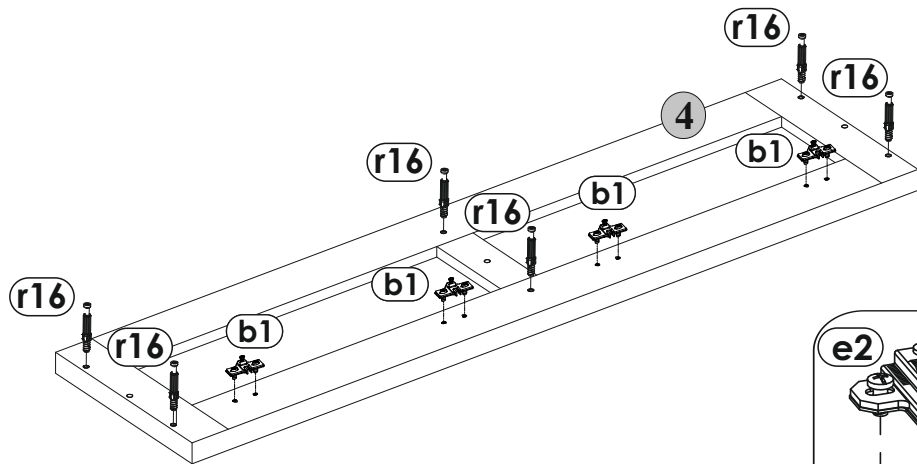
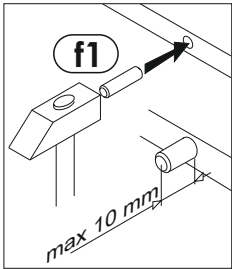
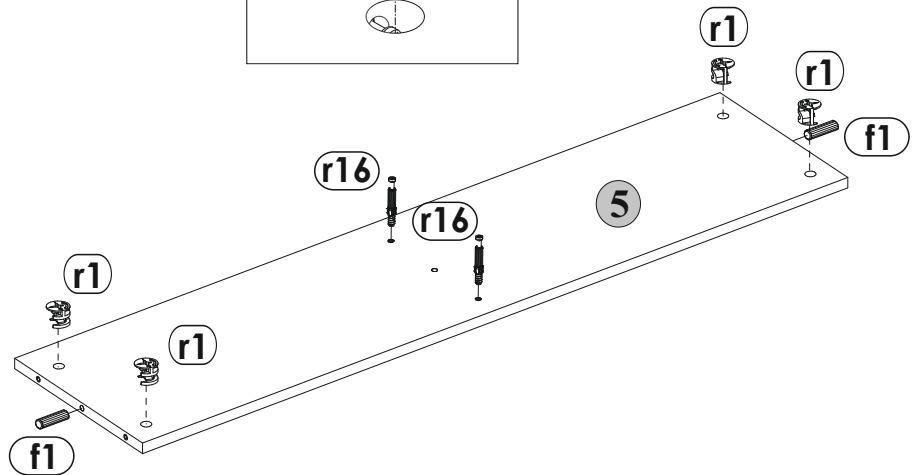
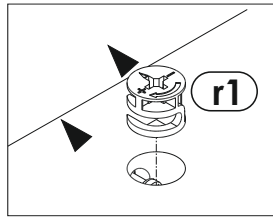
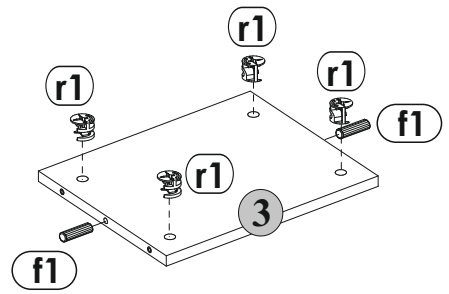
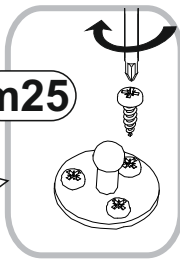
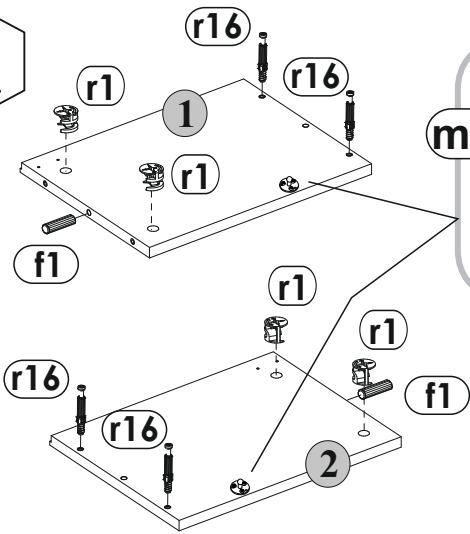
number	Measurements	Pcs.
1	368x284	1
2	368x284	1
3	351x281	1
4	1202x300	1
5	1168x281	1
6	596x364	1
7	596x364	1
8	375x594	1
9	375x594	1



φ5 φ8

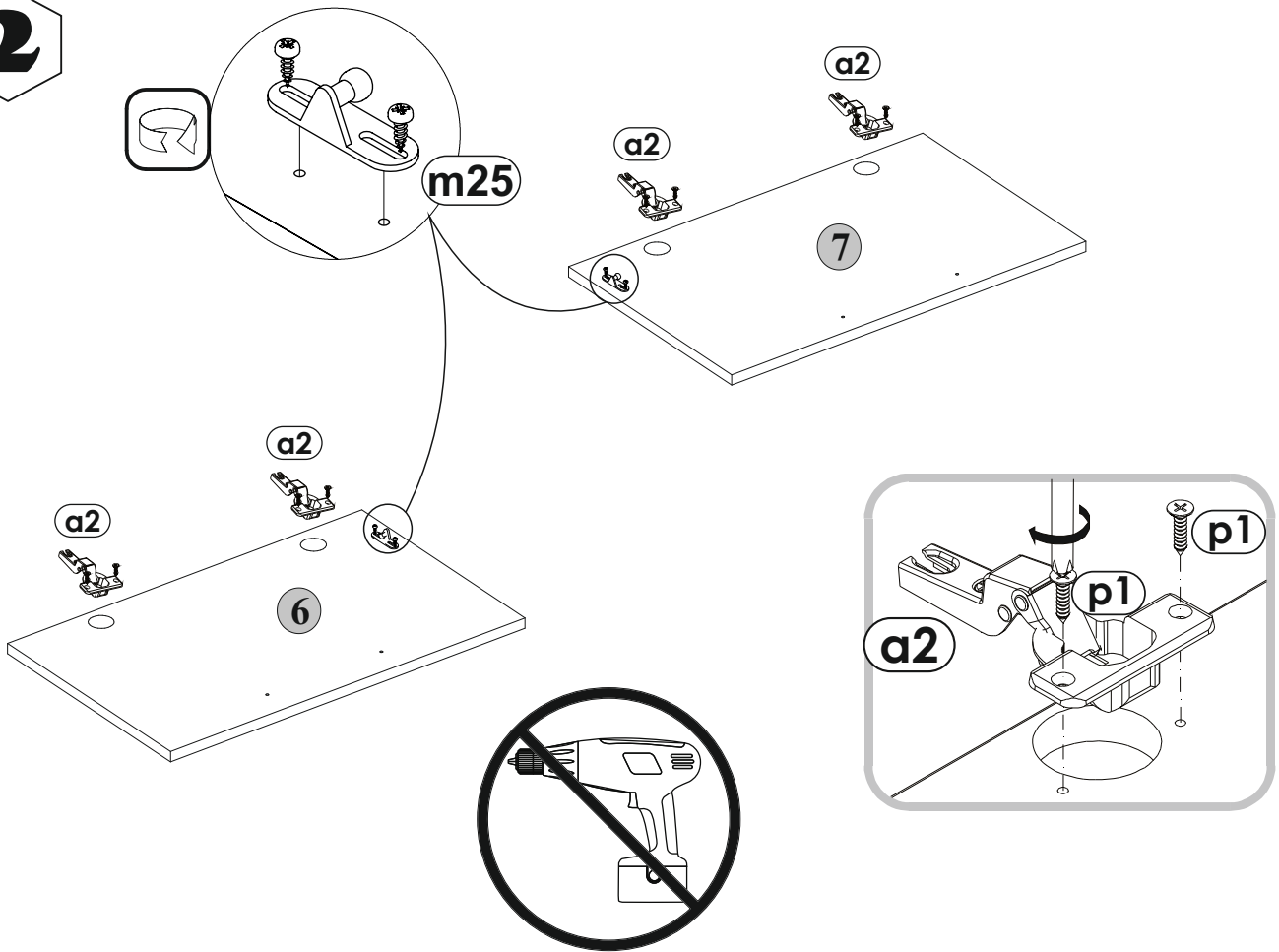


12x  φ15 #16 <b>r1</b>	12x  <b>s2</b>	2x  <b>i9</b>	2x  <b>c234</b>	2x  3.5 x 20 mm <b>p4</b>	2x  <b>o21</b>
4x  φ3.5x25 mm <b>p8</b>	12x  <b>r16</b>	8x  φ6.3x13 mm <b>e2</b>	50x  <b>l1</b>	4x  <b>b1</b>	22x  φ3.5x13 mm <b>p1</b>
2x  <b>m25</b>	6x  φ8x30 mm <b>f1</b>	2x  <b>n31</b>	2x  <b>t17</b>	4x  <b>a1</b>	<b>1</b>

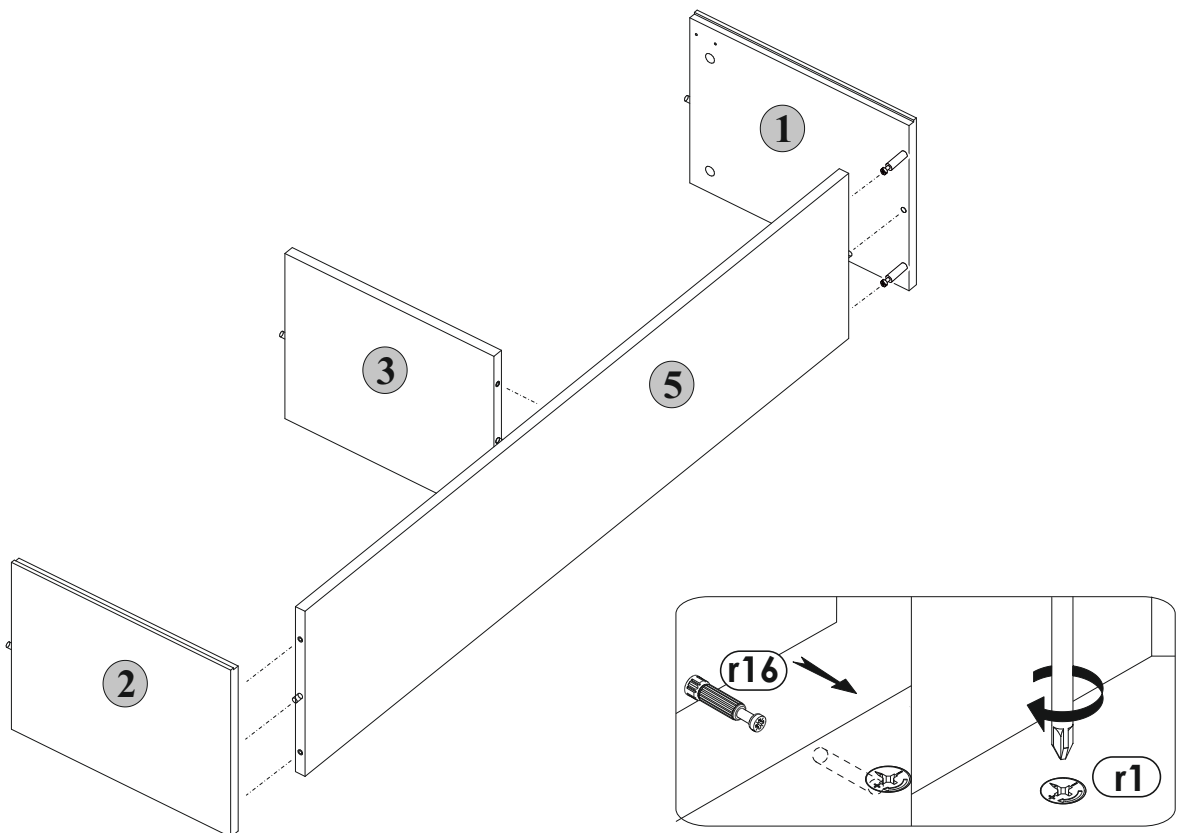


2

**2**

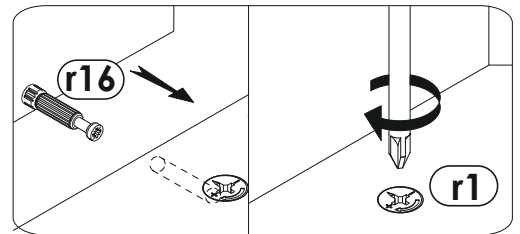
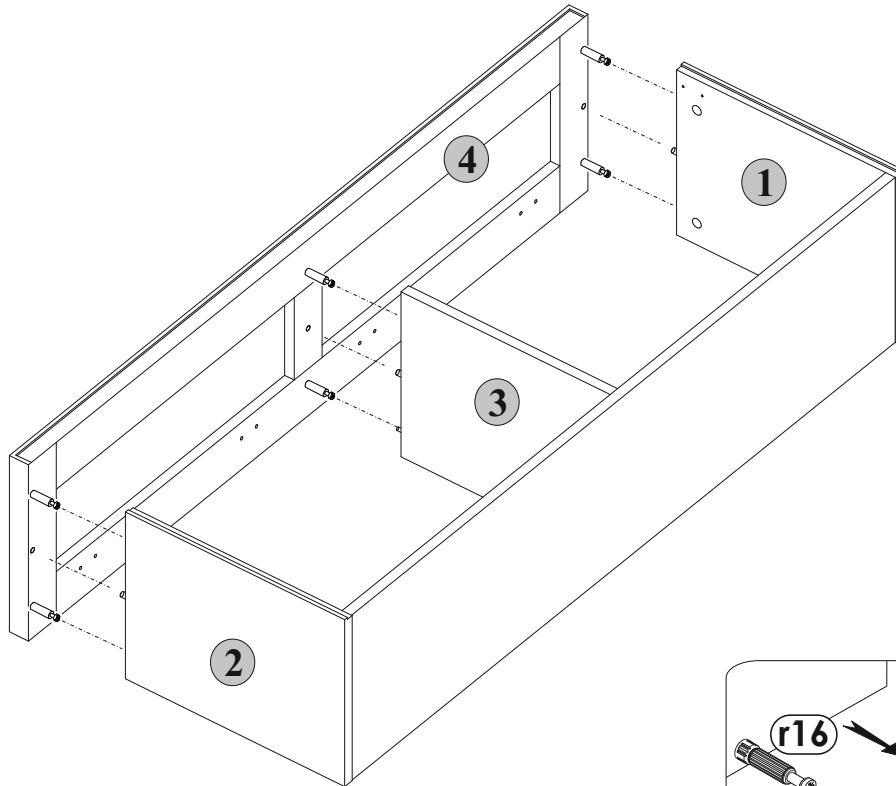


**3**

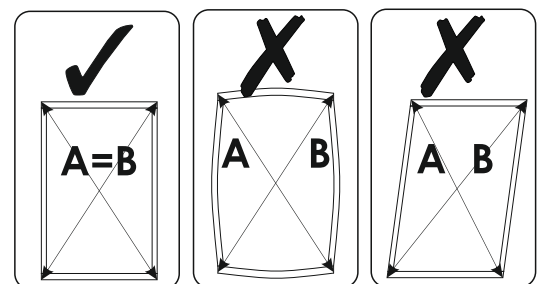
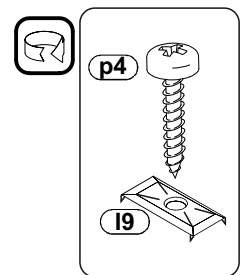
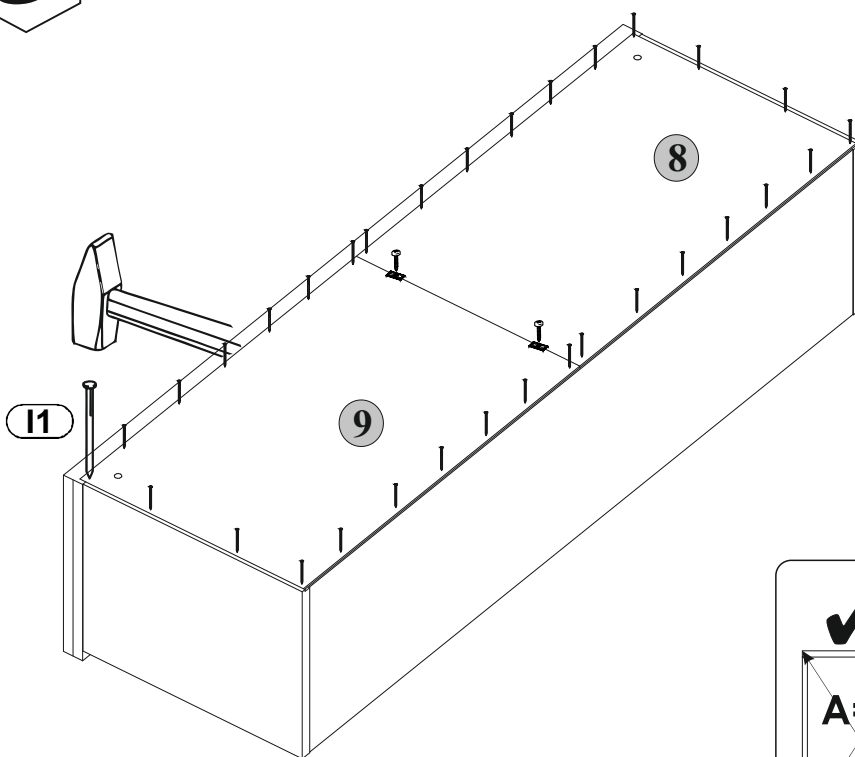


**3**

4

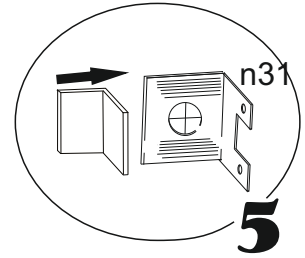
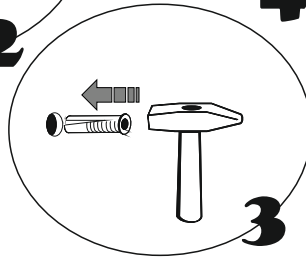
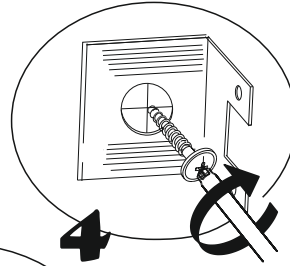
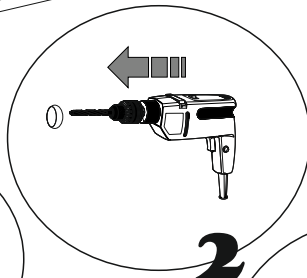
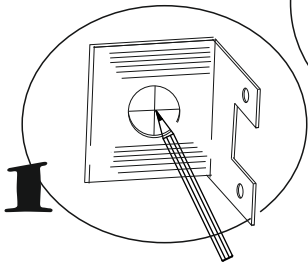
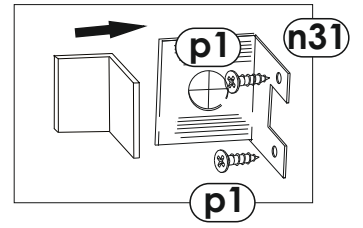
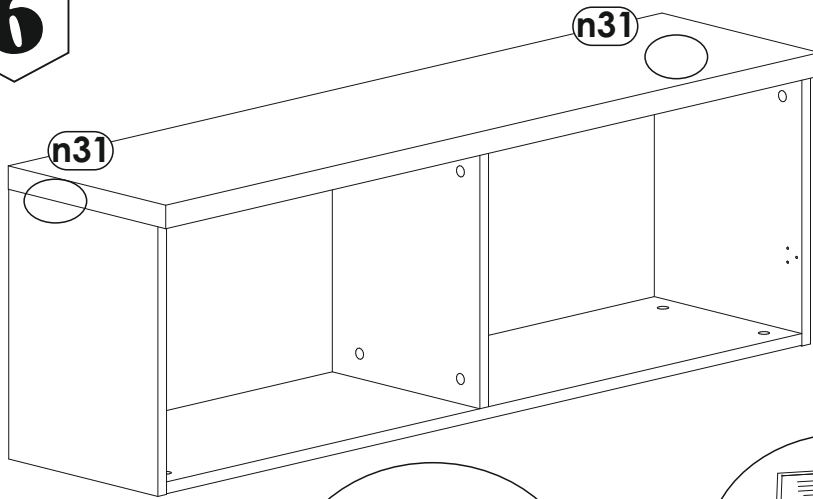


5

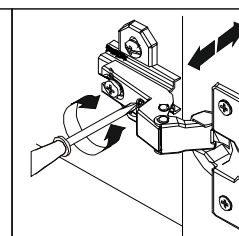
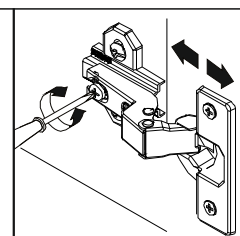
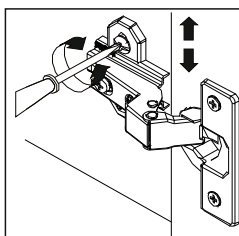
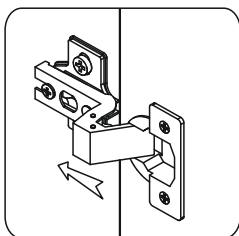
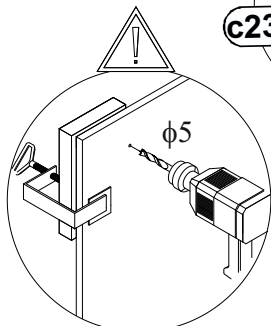
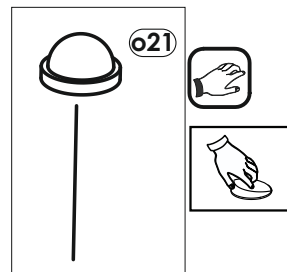
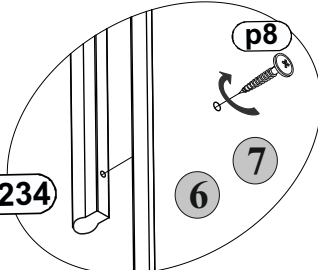
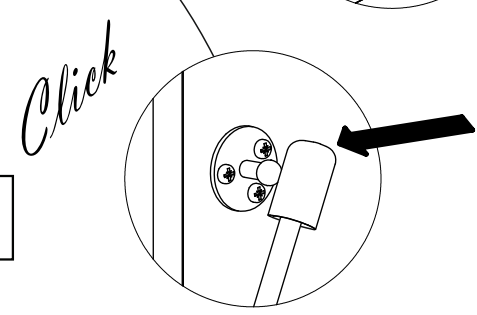
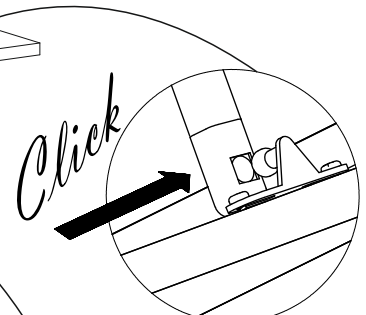
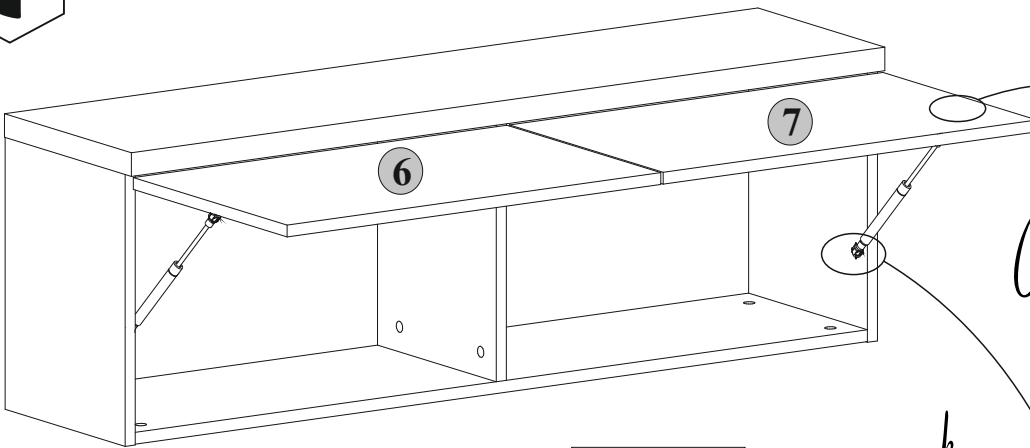


4

**6**



**7**



**5**