

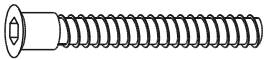




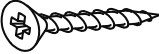
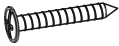


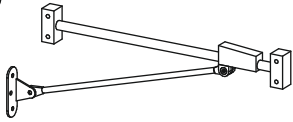
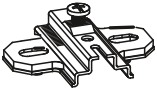


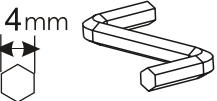
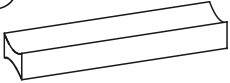
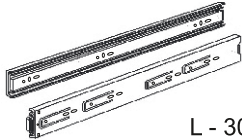




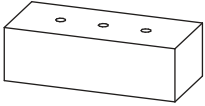
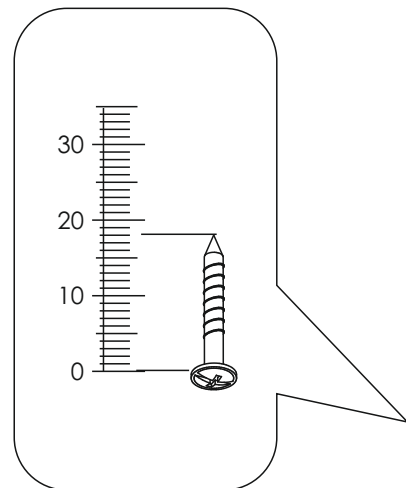
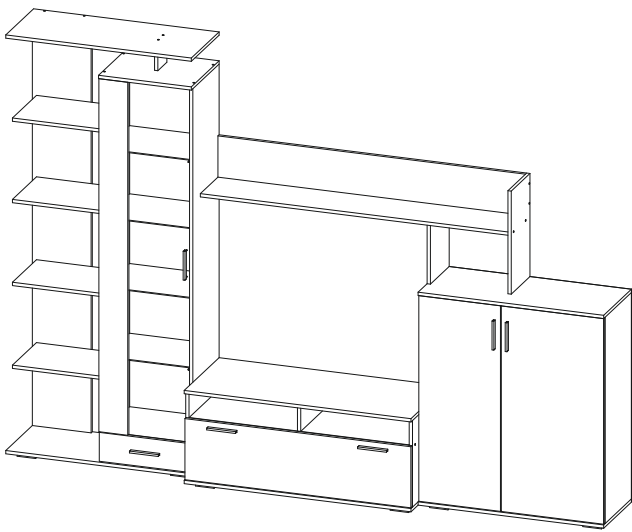
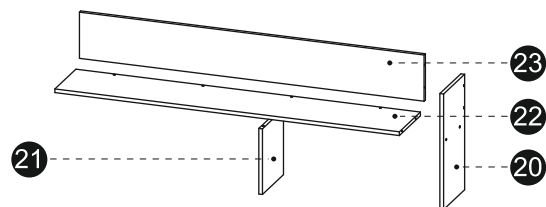
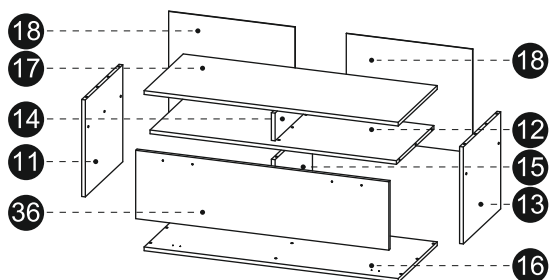
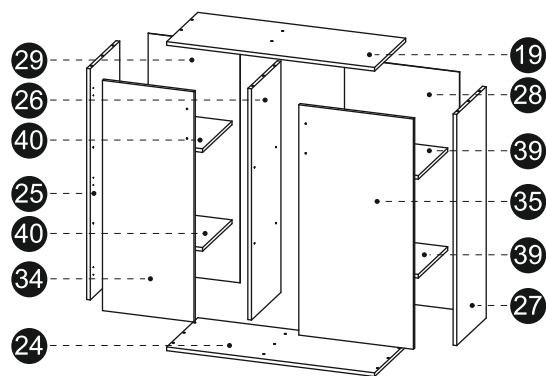
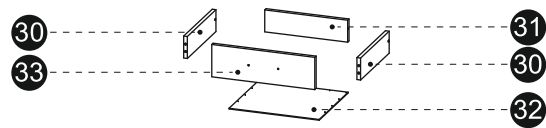
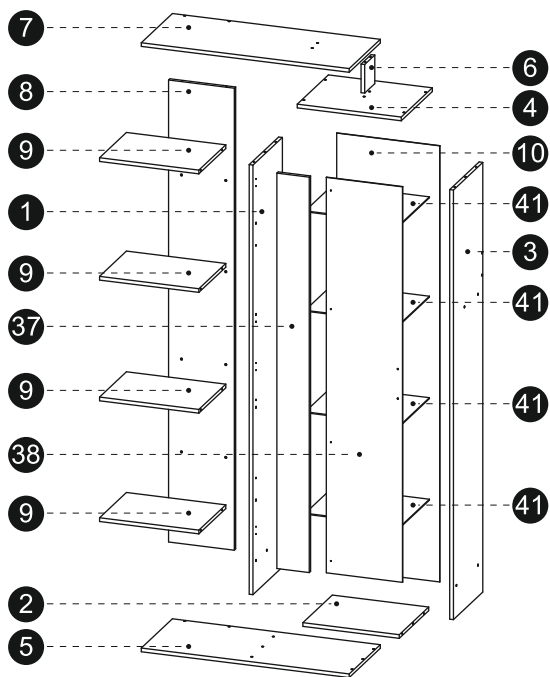


<b>(A0)</b> 8 x 32mm <b>x45</b> 	<b>(B0)</b>  <b>x20</b>	<b>(B1)</b> f 7 x 50 mm <b>x73</b> 
<b>(D0)</b> 3 x 15 mm <b>x10</b> 	<b>(D1)</b> 3 x 25 mm <b>x8</b> 	<b>(D4)</b> 3,5 x 18 mm <b>x6</b> 
<b>(D10)</b> 4 x 16 mm <b>x22</b> 	<b>(D14)</b> 4 x 35 mm <b>x45</b> 	<b>(D16)</b> 4,2 x 28 mm <b>x10</b> 
<b>(D21)</b> 5 x 13 mm <b>x10</b> 	<b>(D31)</b> 6,3 x 13 mm <b>x22</b> 	<b>(F2)</b>  <b>x2</b>
<b>(I1)</b>  <b>x11</b>	<b>(I3)</b> d 26mm  <b>x9</b>	<b>(I4)</b>  <b>x2</b>
<b>(K)</b> 4mm  <b>x1</b>	<b>(L0)</b>  <b>x6</b>	<b>(N6)</b>  L - 300mm <b>x1</b>
<b>(Q0)</b>  <b>x16</b>	<b>(Q4)</b>  <b>x18</b>	<b>(T8)</b>  <b>x150</b>
<b>(U1)</b>  <b>x6</b>	<b>(T2)</b>  <b>x15</b>	

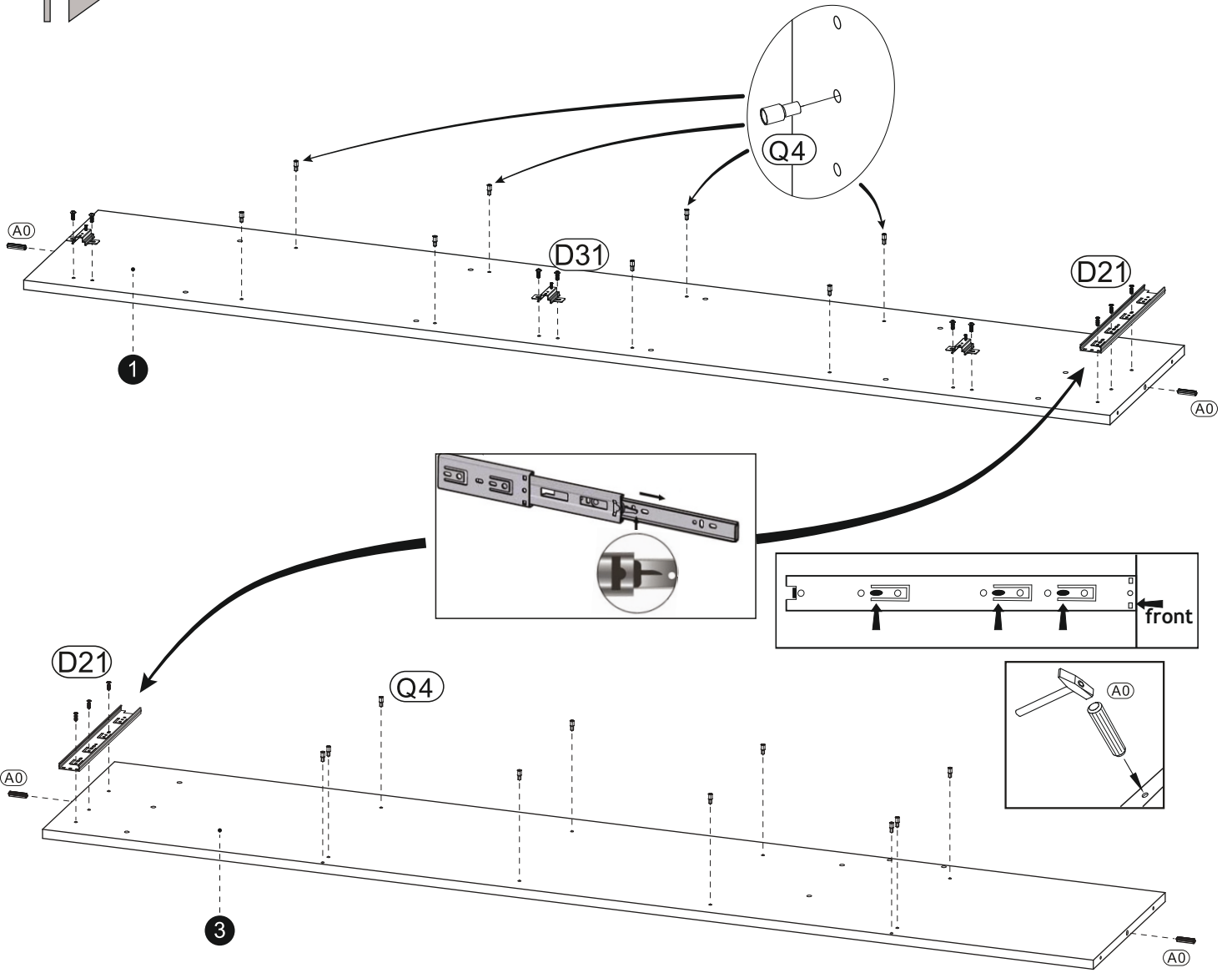




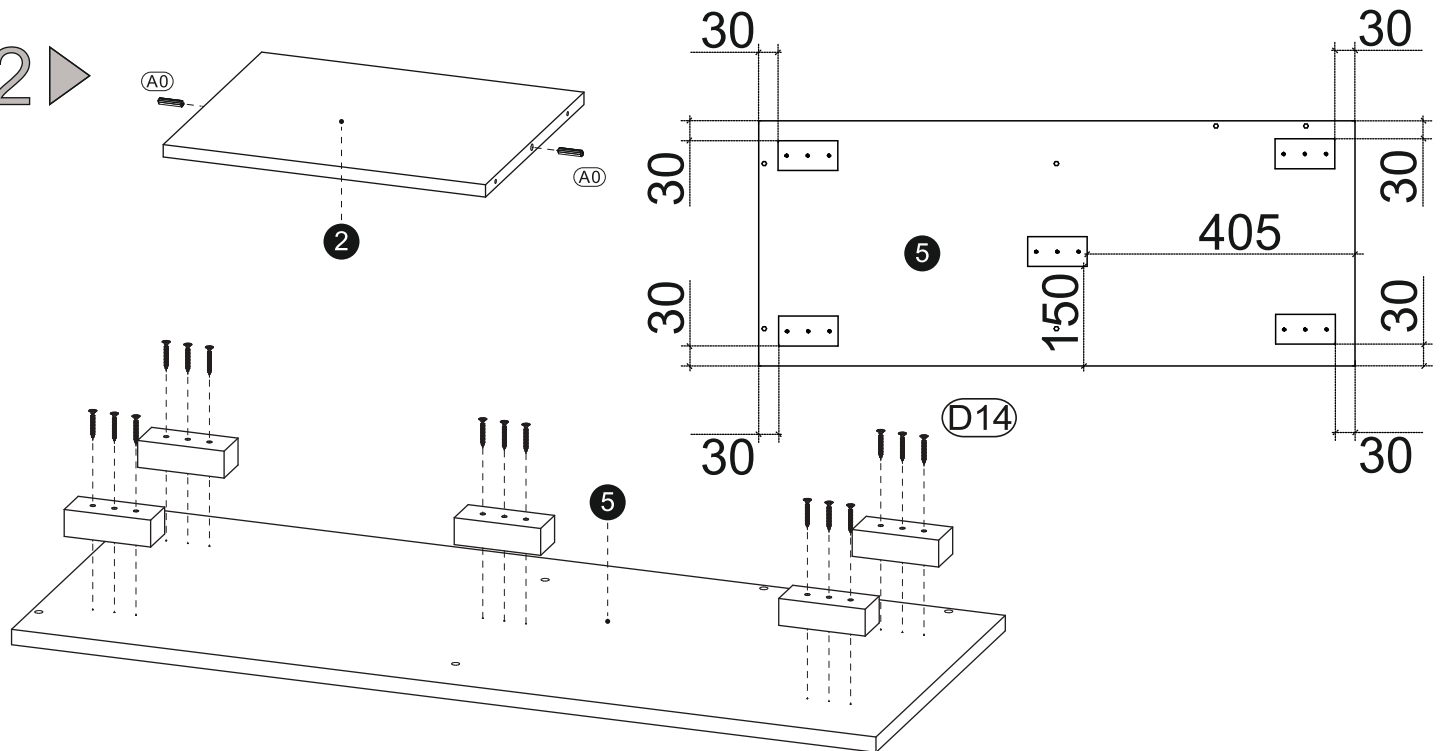
①	1860	350	16	x1	4/4	②②	1493	250	16	x1	4/4
②	417	350	16	x1	1/4	②③	1493	200	16	x1	4/4
③	1860	350	16	x1	4/4	②④	900	370	16	x1	2/4
④	450	370	16	x1	1/4	②⑤	1001	350	16	x1	2/4
⑤	900	370	16	x1	2/4	②⑥	1001	350	16	x1	2/4
⑥	124	120	16	x1	4/4	②⑦	1001	350	16	x1	2/4
⑦	900	320	16	x1	2/4	②⑧	1030	498	2,5	x1	4/4
⑧	2000	285	16	x1	4/4	②⑨	1030	398	2,5	x1	4/4
⑨	430	320	16	x4	1/4	③⑩	340	95	16	x2	1/4
⑩	1888	446	2,5	x1	4/4	③⑪	359	95	16	x1	4/4
⑪	420	445	16	x1	3/4	③⑫	390	345	2,5	x1	4/4
⑫	1067	445	16	x1	3/4	③⑬	446	140	16	x1	3/4
⑬	420	445	16	x1	3/4	③⑭	995	396	16	x1	1/4
⑭	120	445	16	x1	4/4	③⑮	995	496	16	x1	1/4
⑮	284	445	16	x1	4/4	③⑯	1096	296	16	x1	4/4
⑯	1100	465	16	x1	3/4	③⑰	1710	140	16	x1	4/4
⑰	1100	465	16	x1	3/4	③⑱	1710	330	4	x1	1/4
⑱	548	448	2,5	x2	4/4	③⑲	476	330	16	x2	1/4
⑲	900	370	16	x1	2/4	④⑰	376	330	16	x2	1/4
⑳	500	250	16	x1	4/4	④⑱	415	330	5	x4	1/4
㉑	284	250	16	x1	3/4						1/4



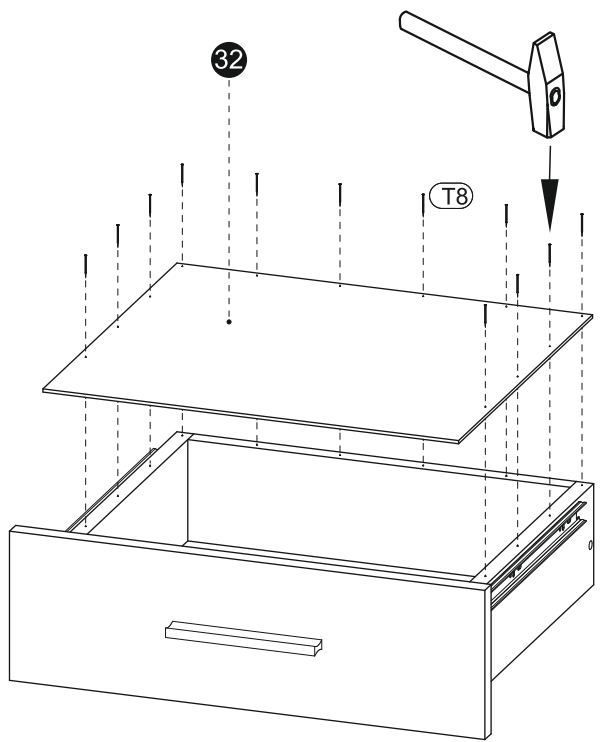
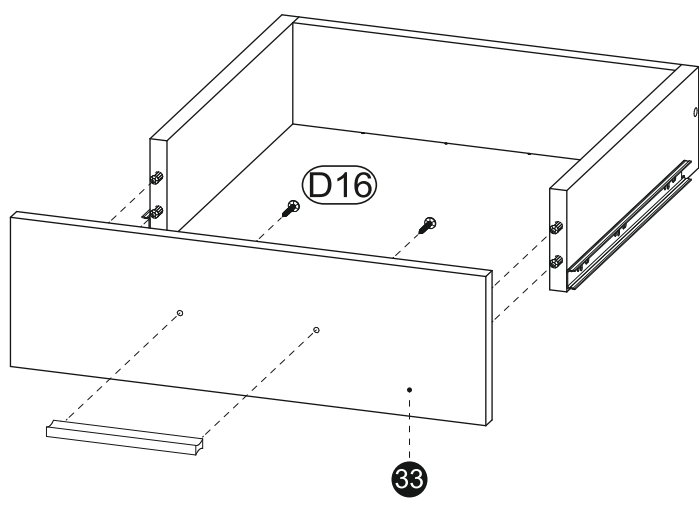
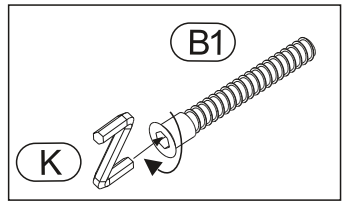
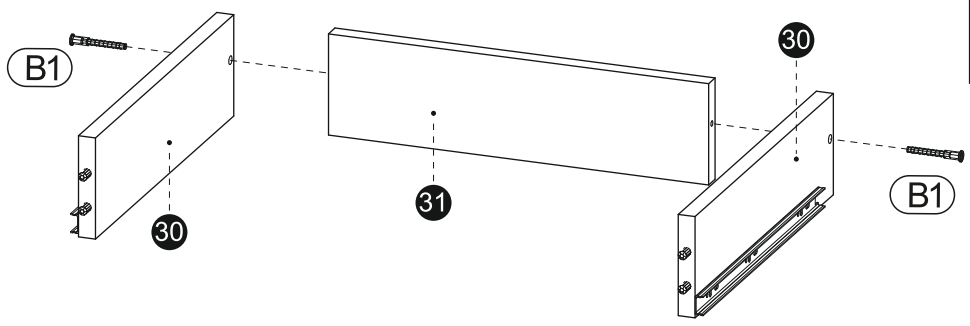
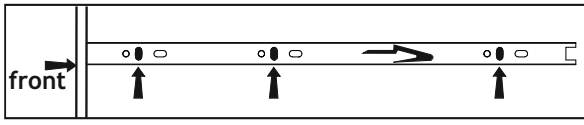
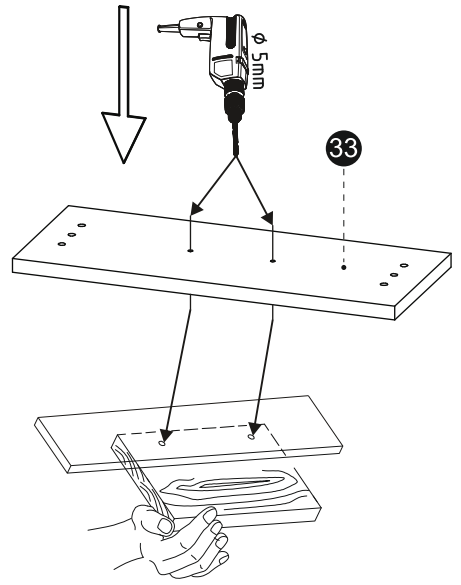
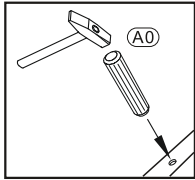
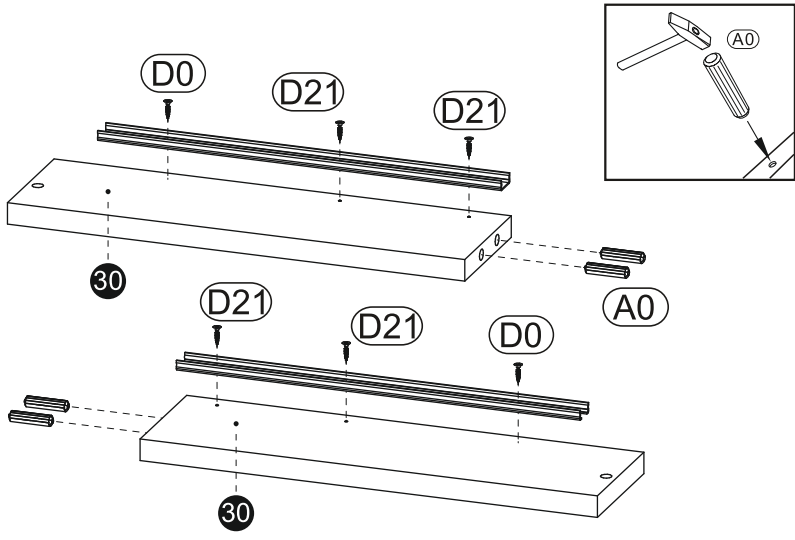
1 ▶

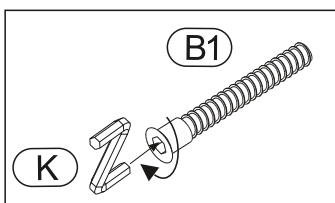
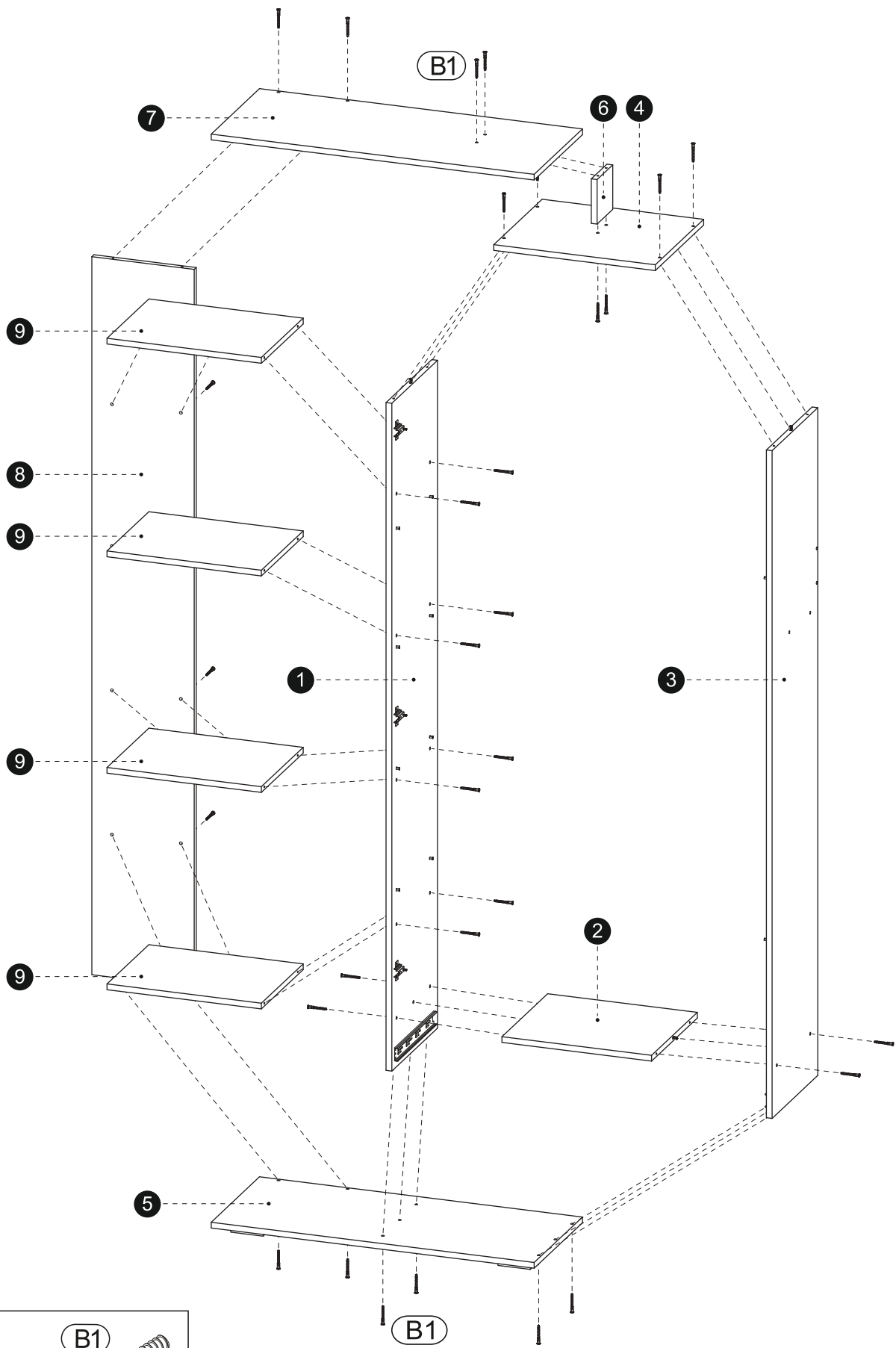


2 ▶

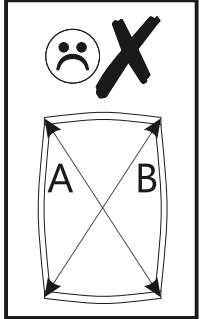
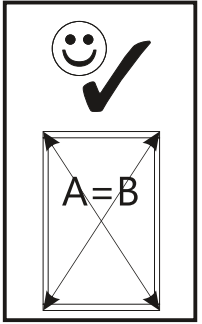
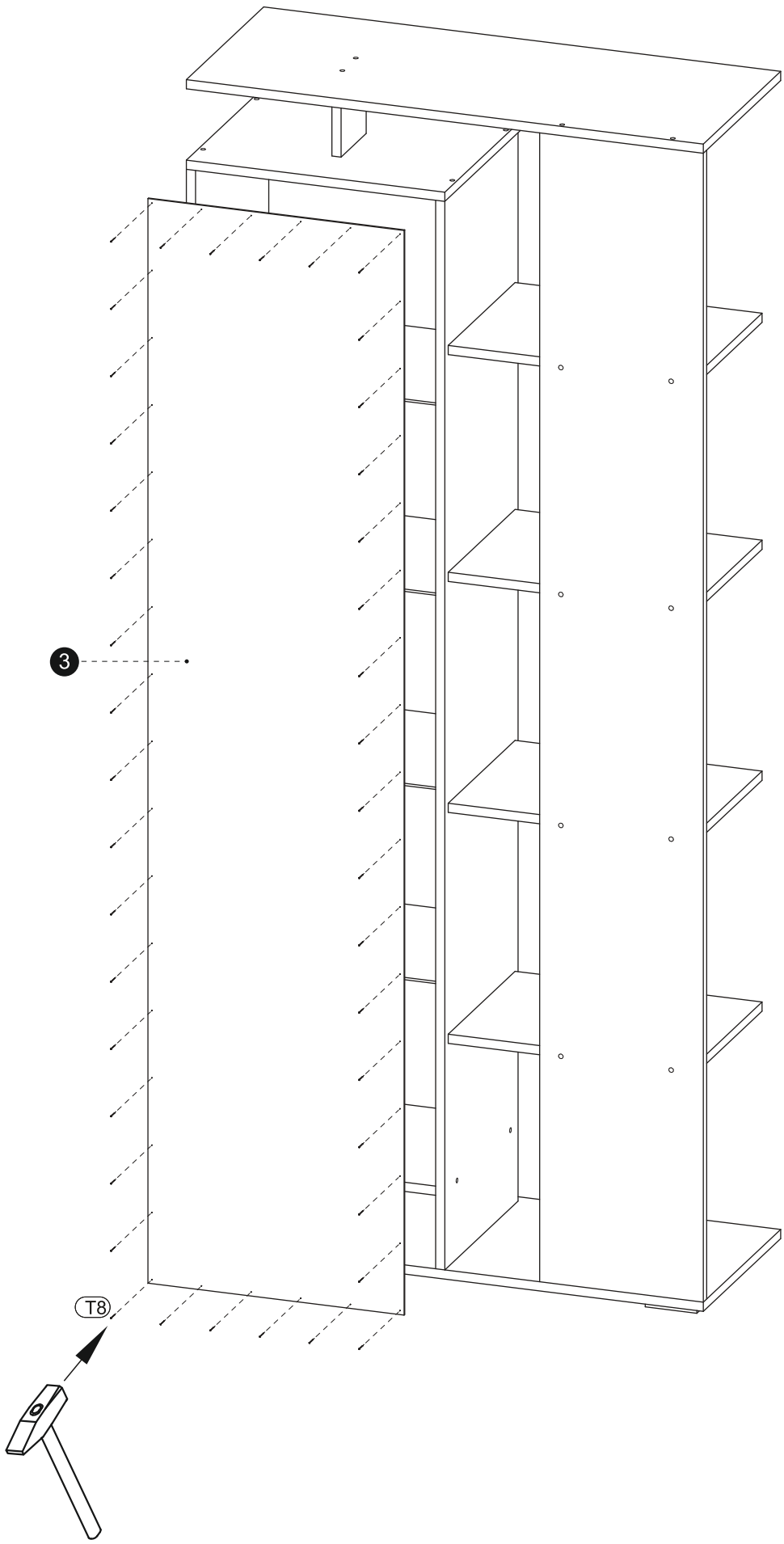


3 ▶

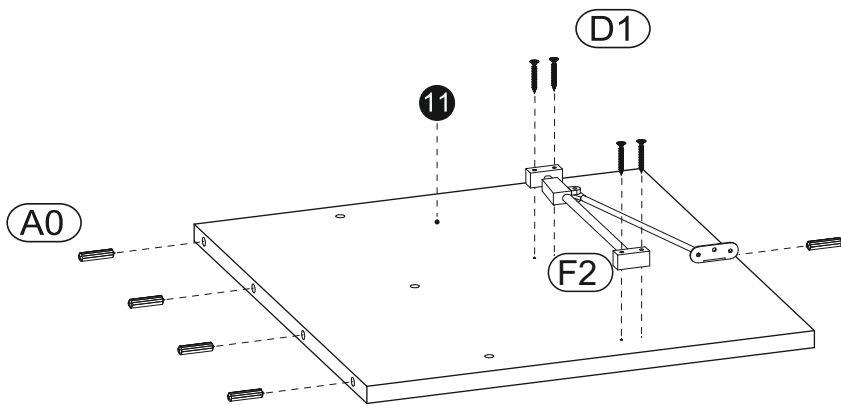
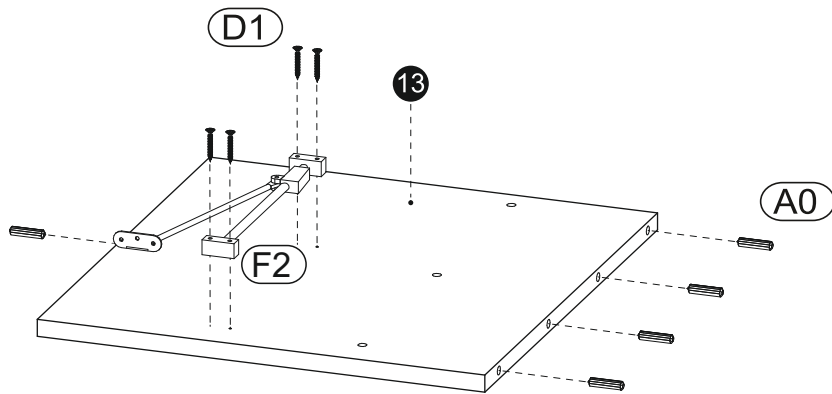
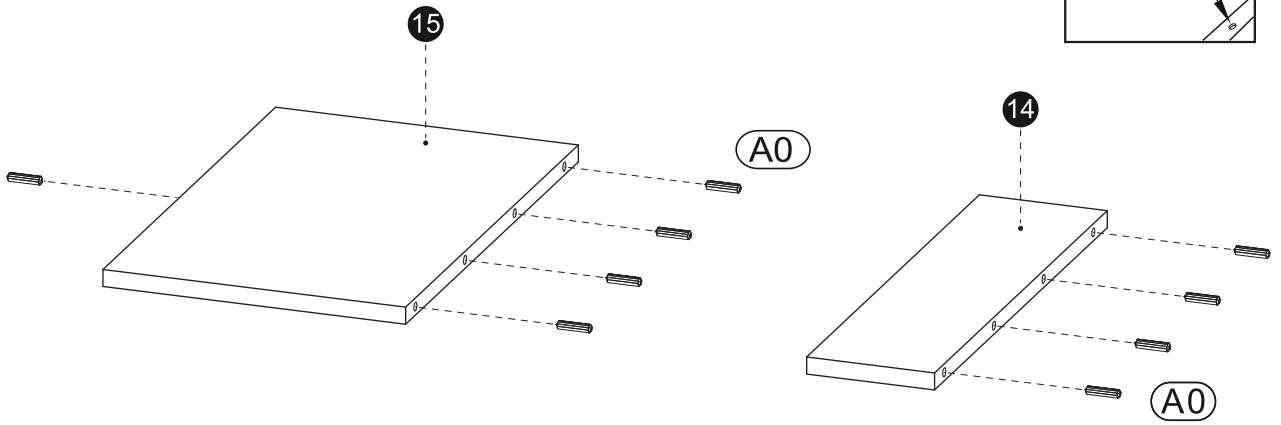
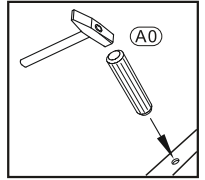




5 ▶

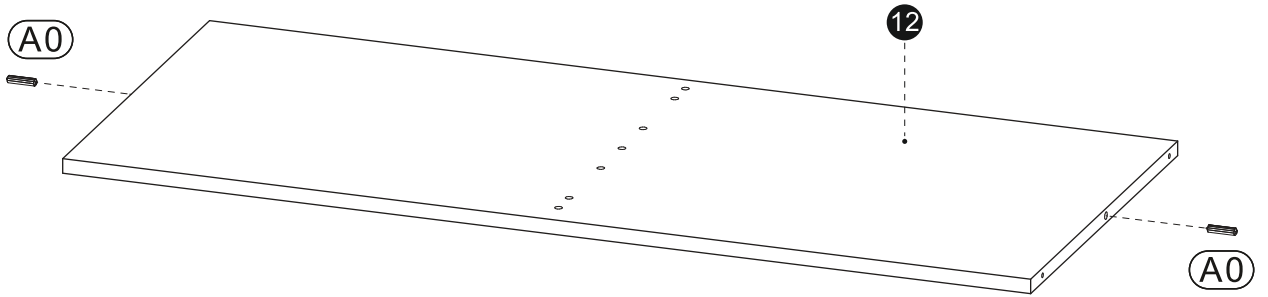
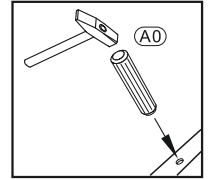


6 ▶

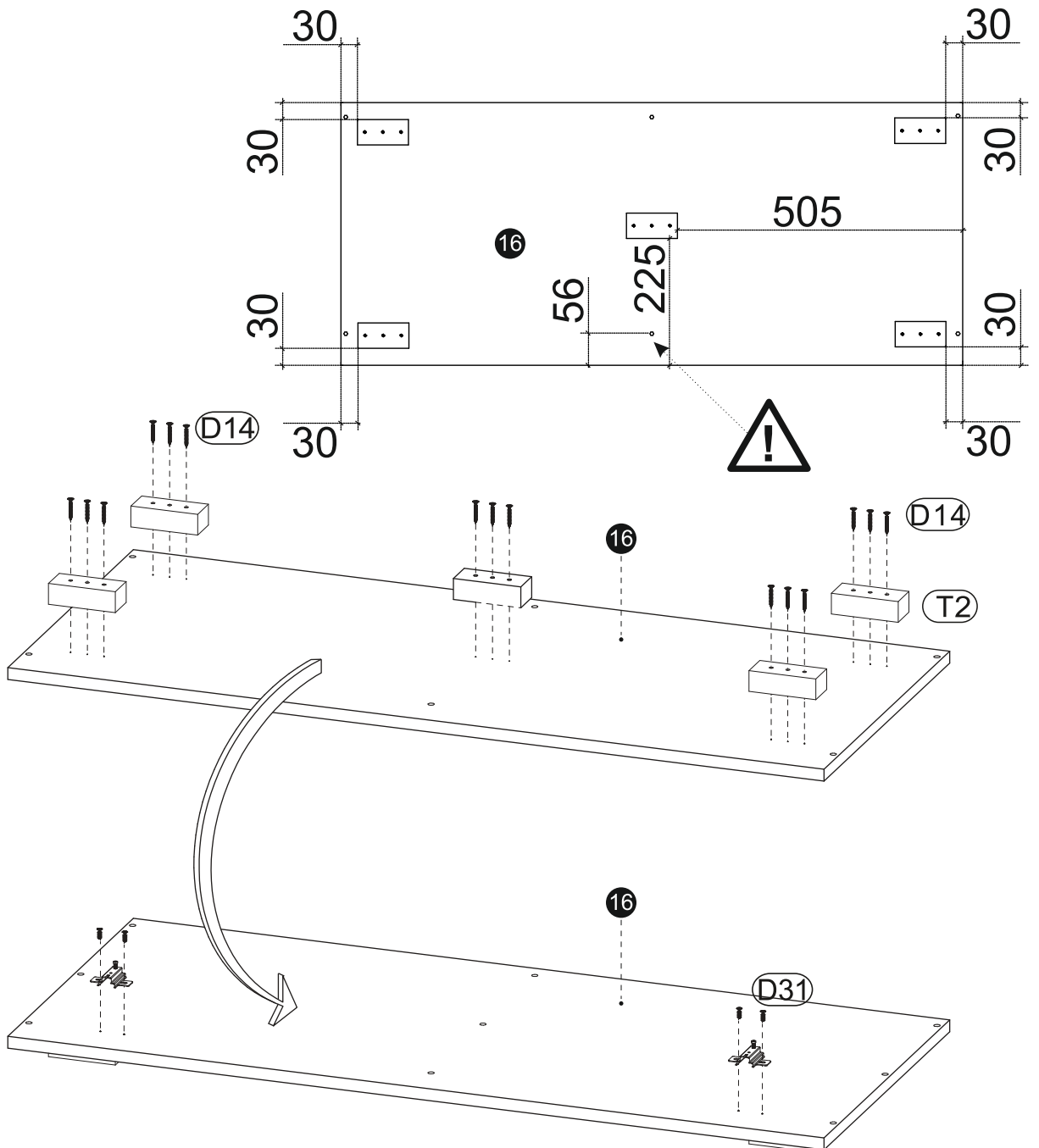




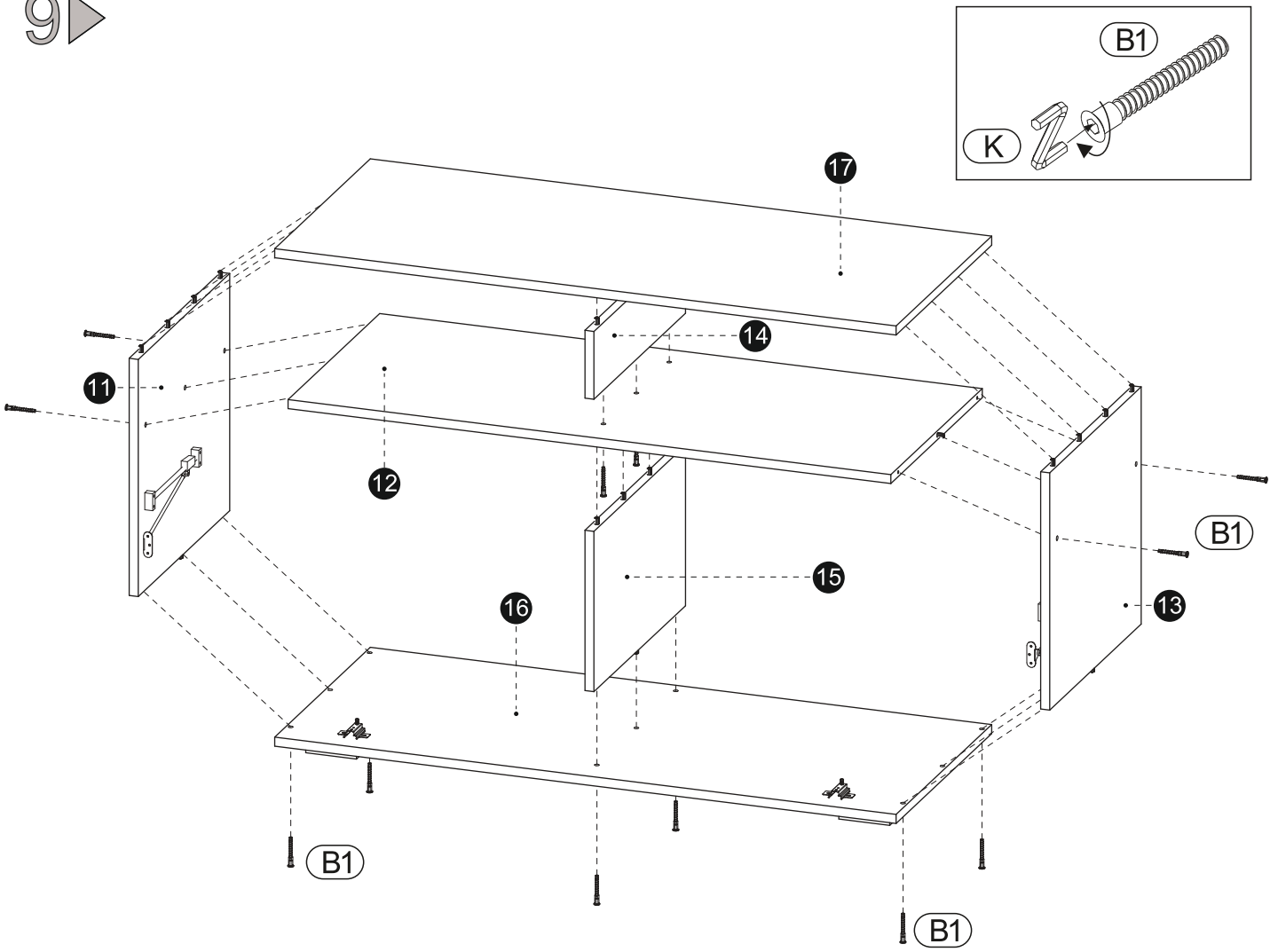
7 ▶



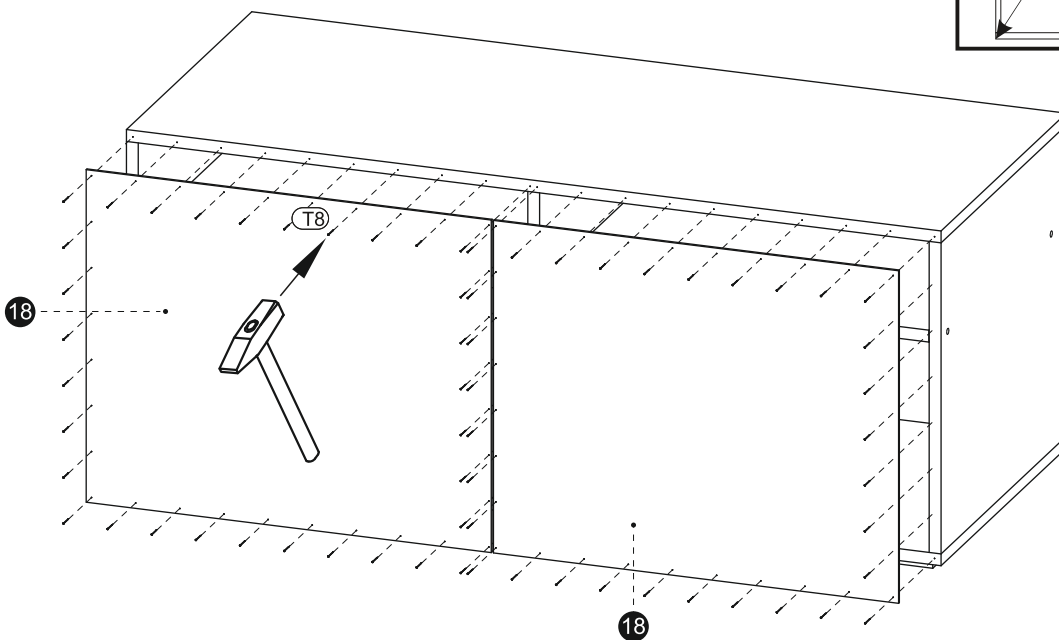
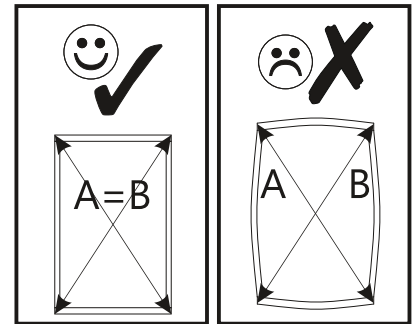
8 ▶



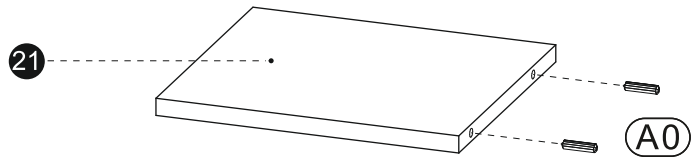
9 ▶



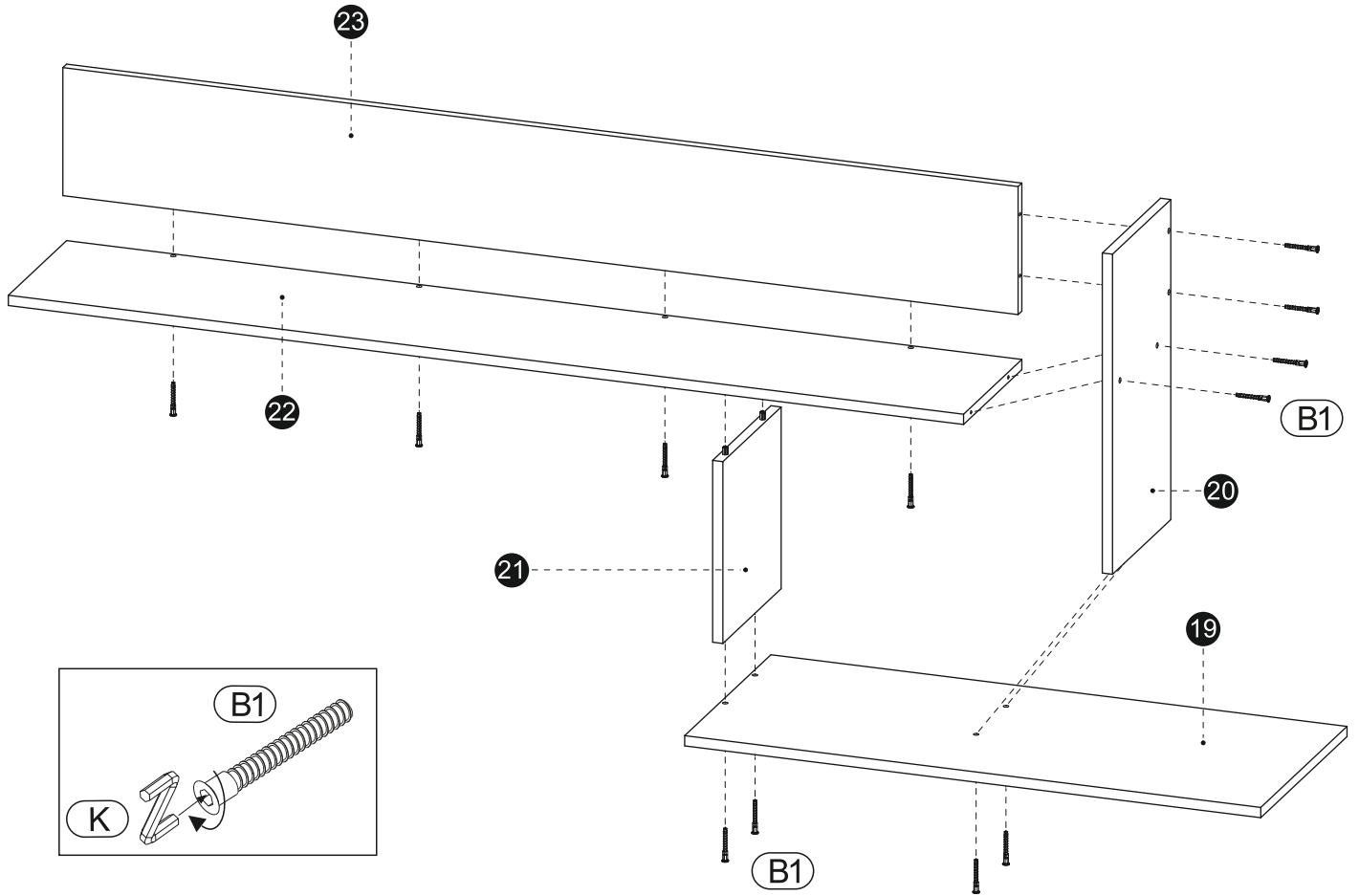
10 ▶



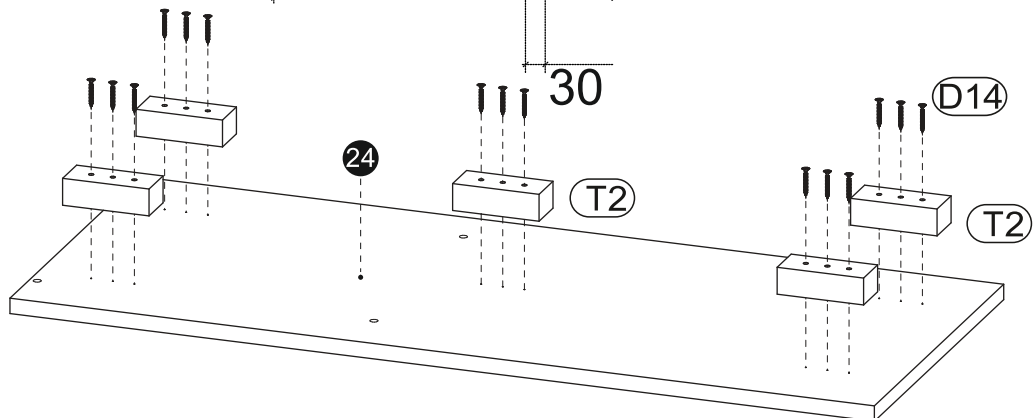
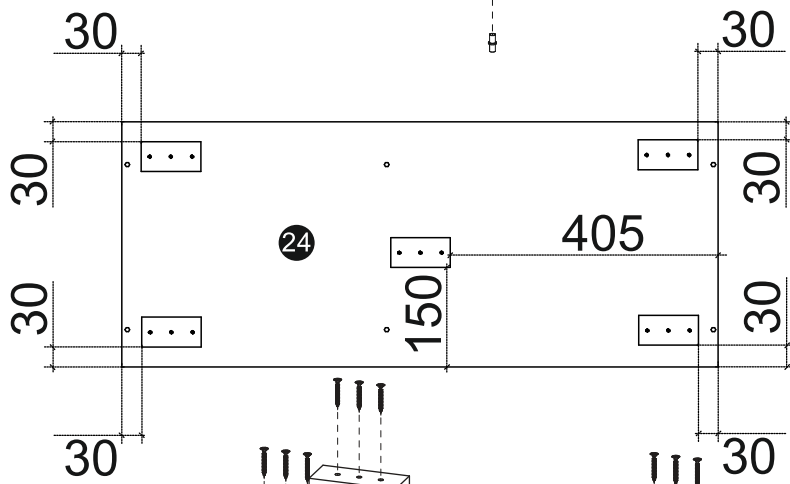
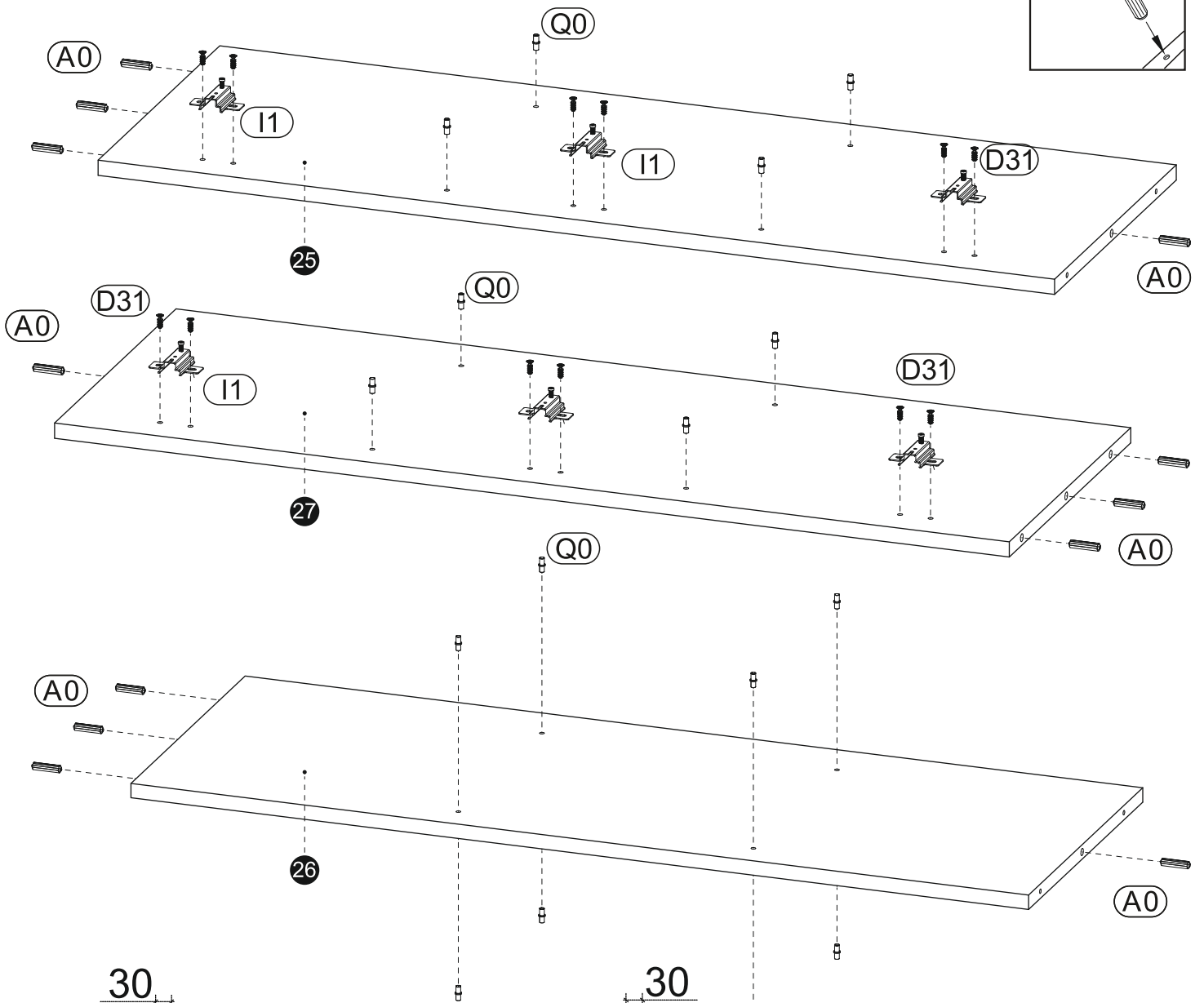
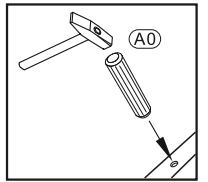
11 ▶

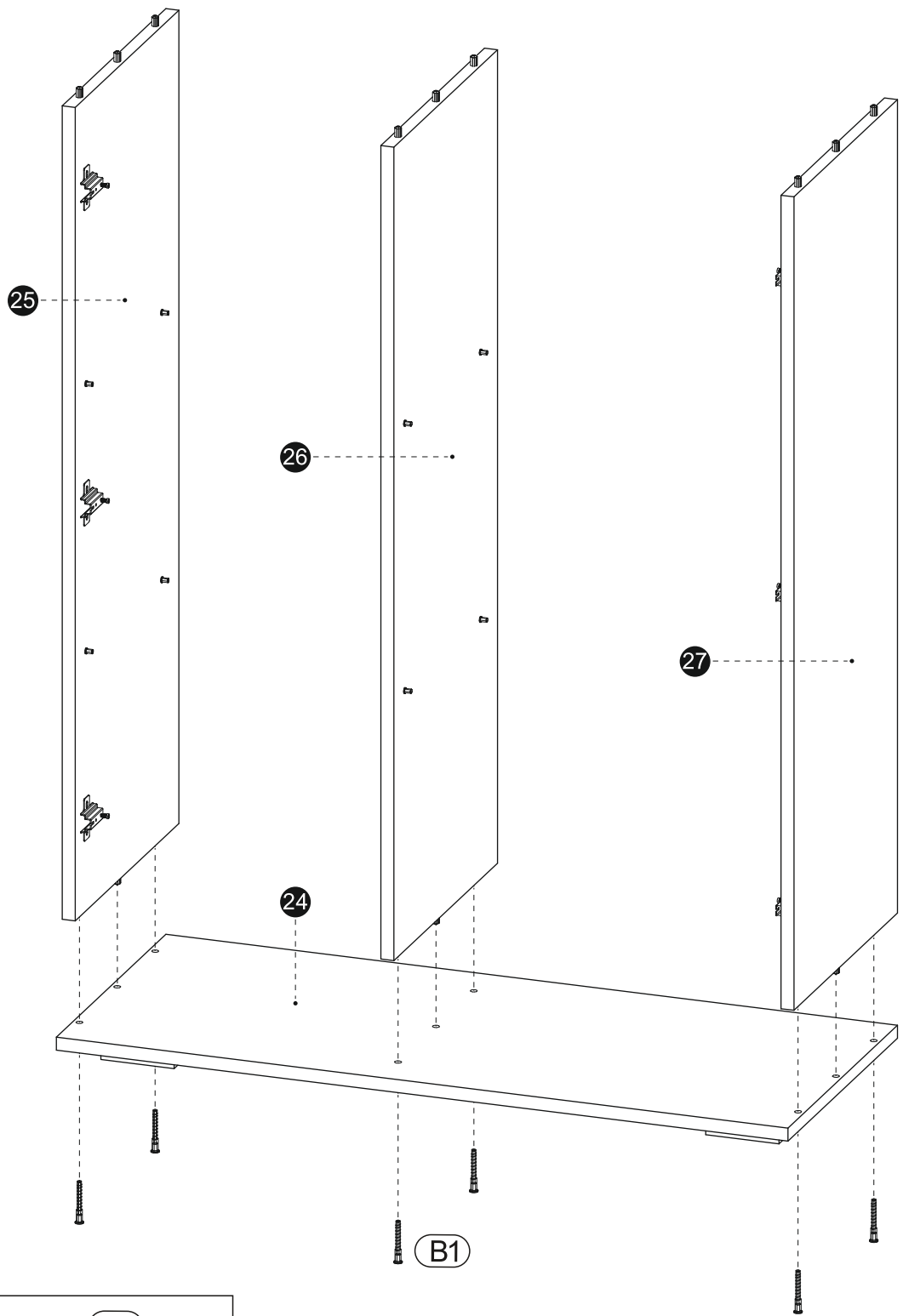


12 ▶

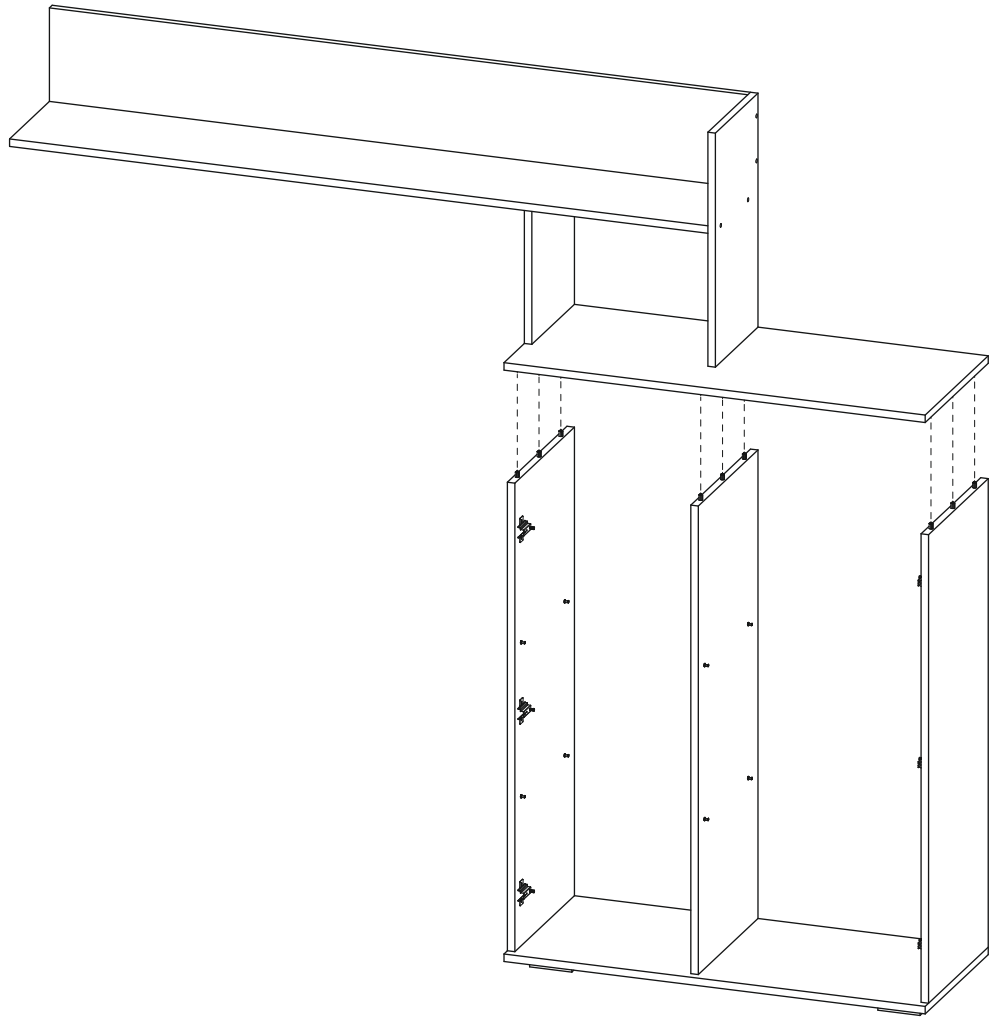


13▶





15 ▶



16 ▶

