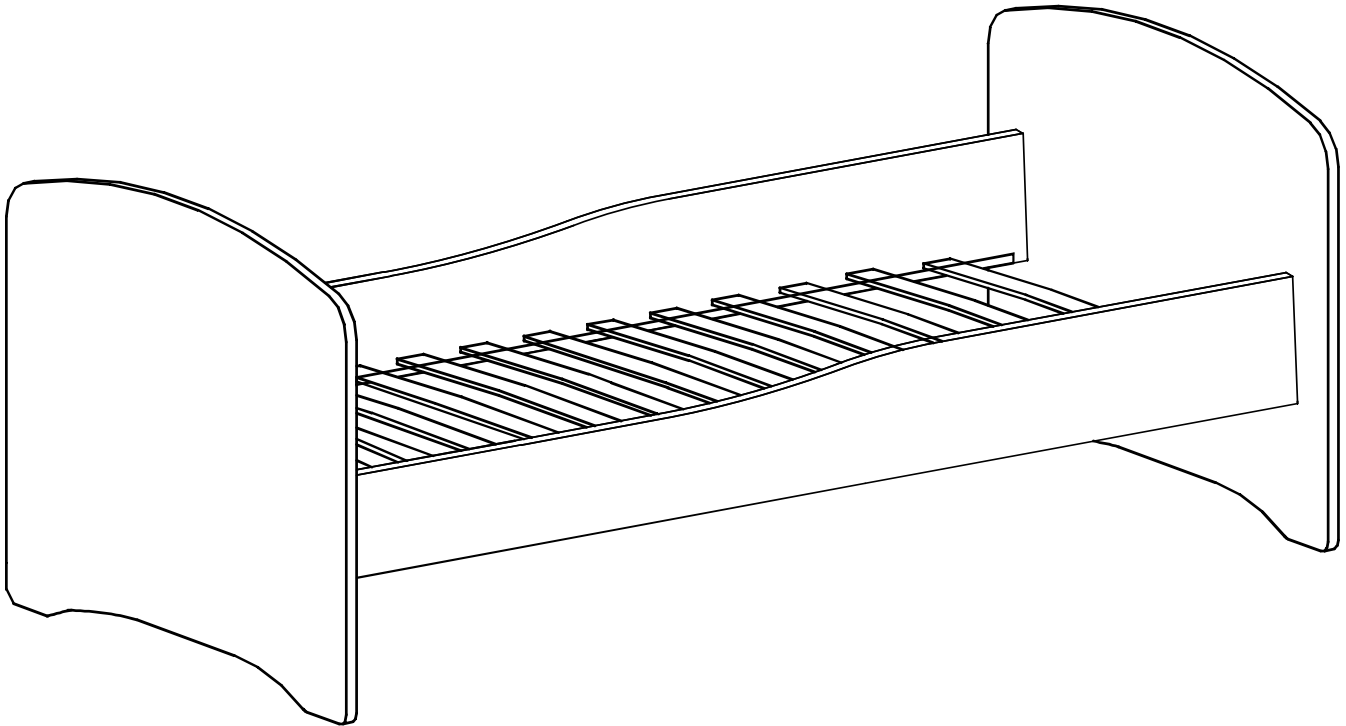
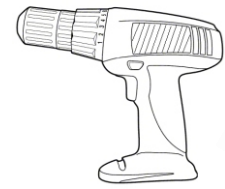
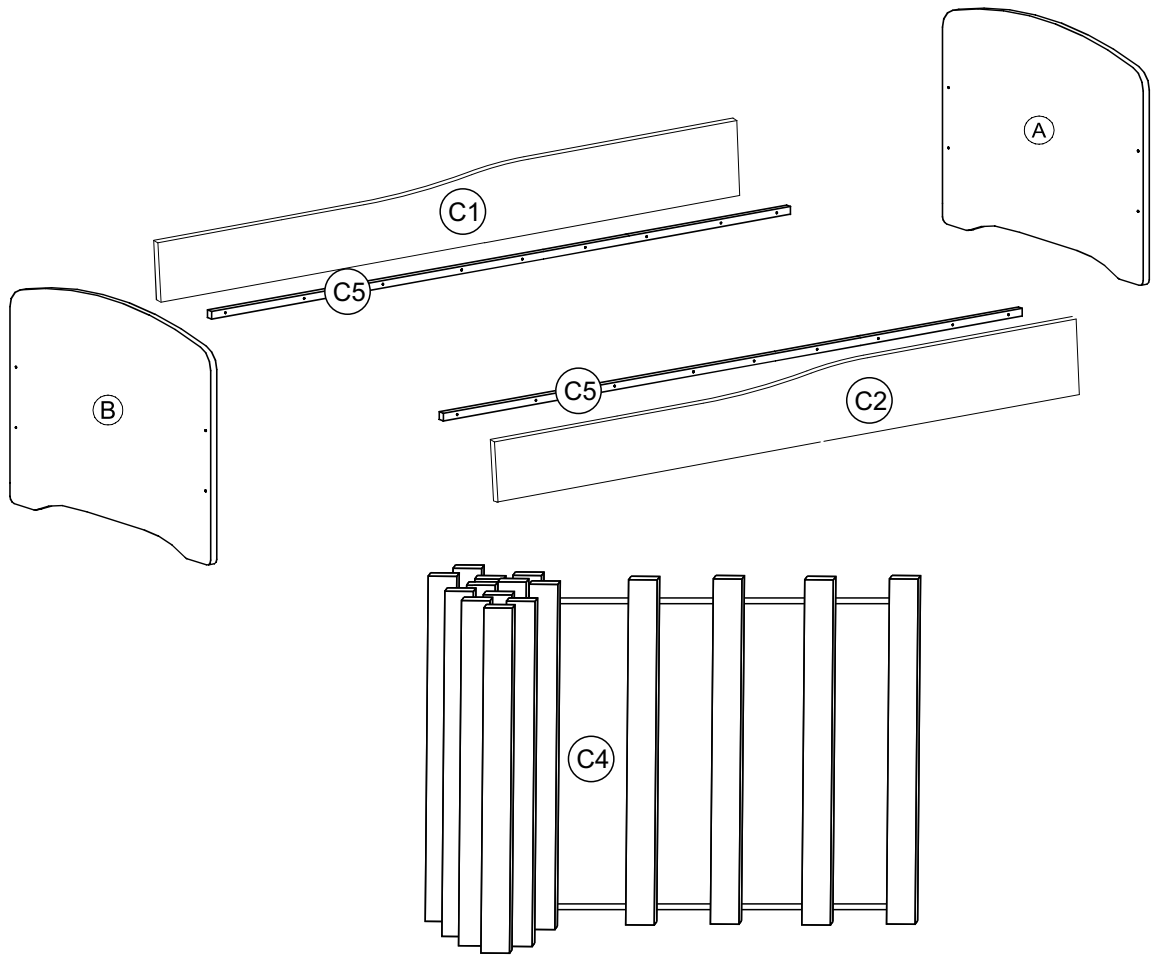


1

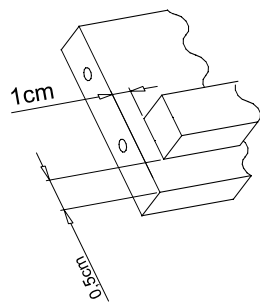



S1		8
S2		8
S3 3,5x20		6
S4		1
S5 4,0x30		18
S6		4
S7		

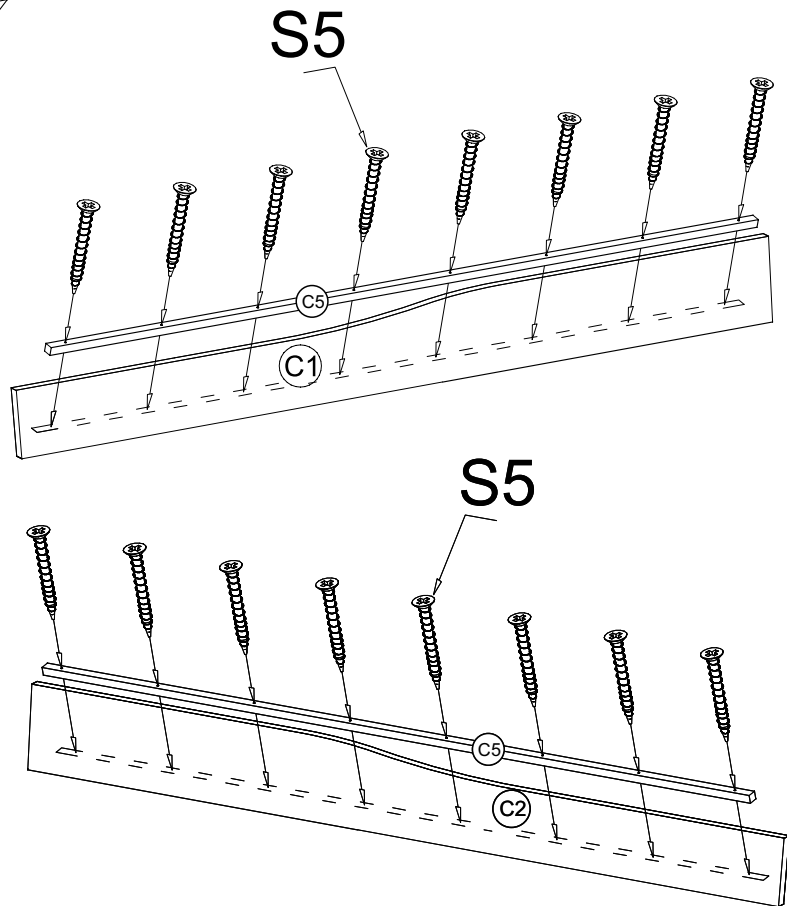
2



3

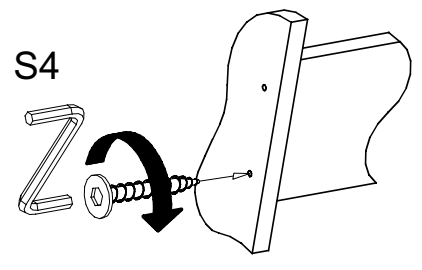
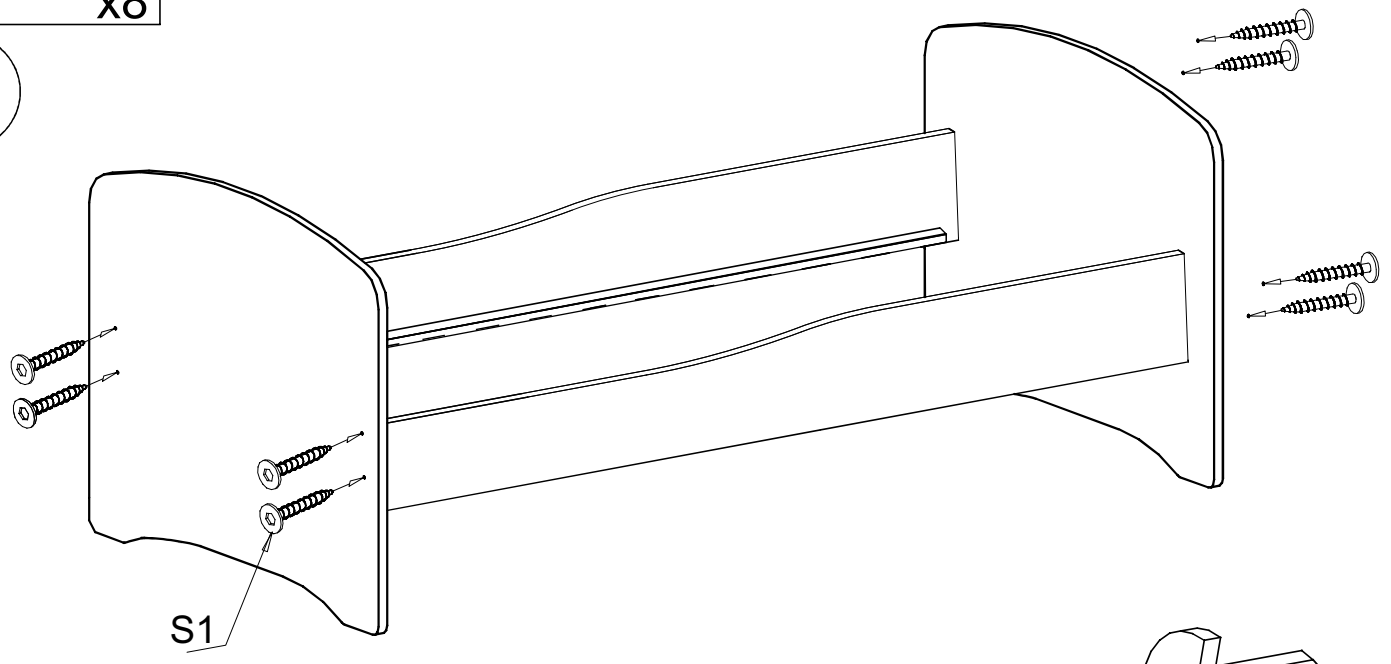


S5 
4,0x30 x18

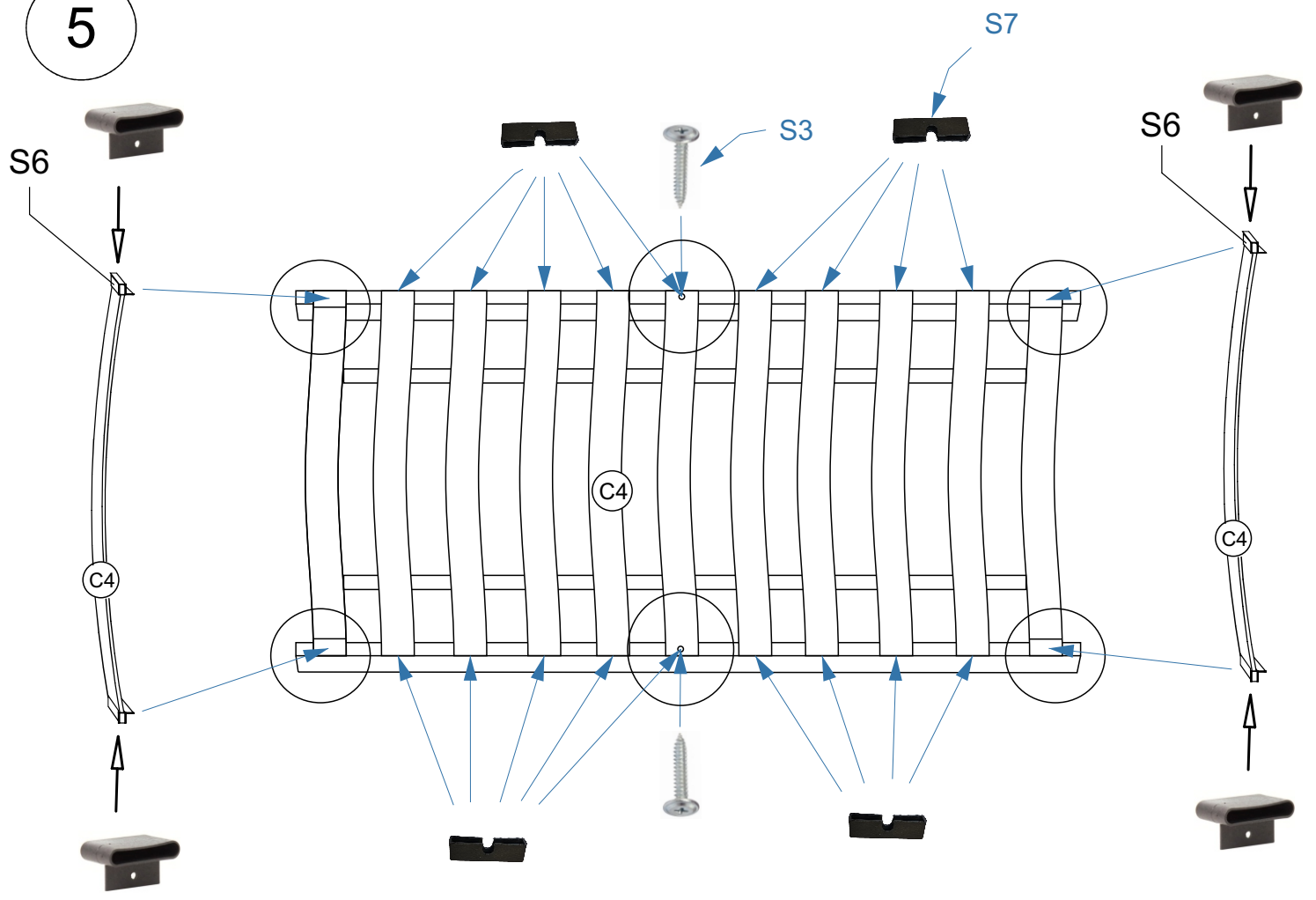




4

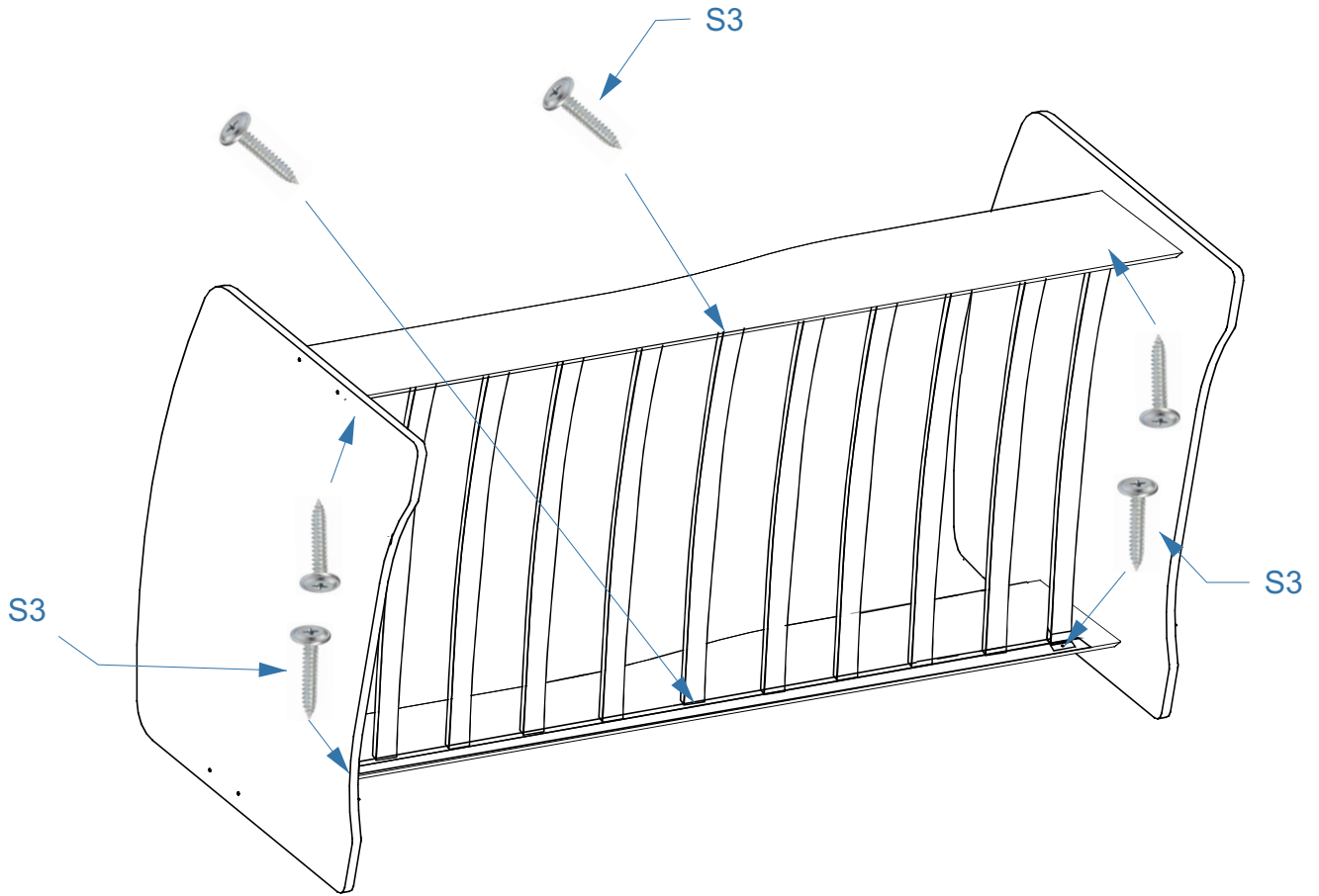


5











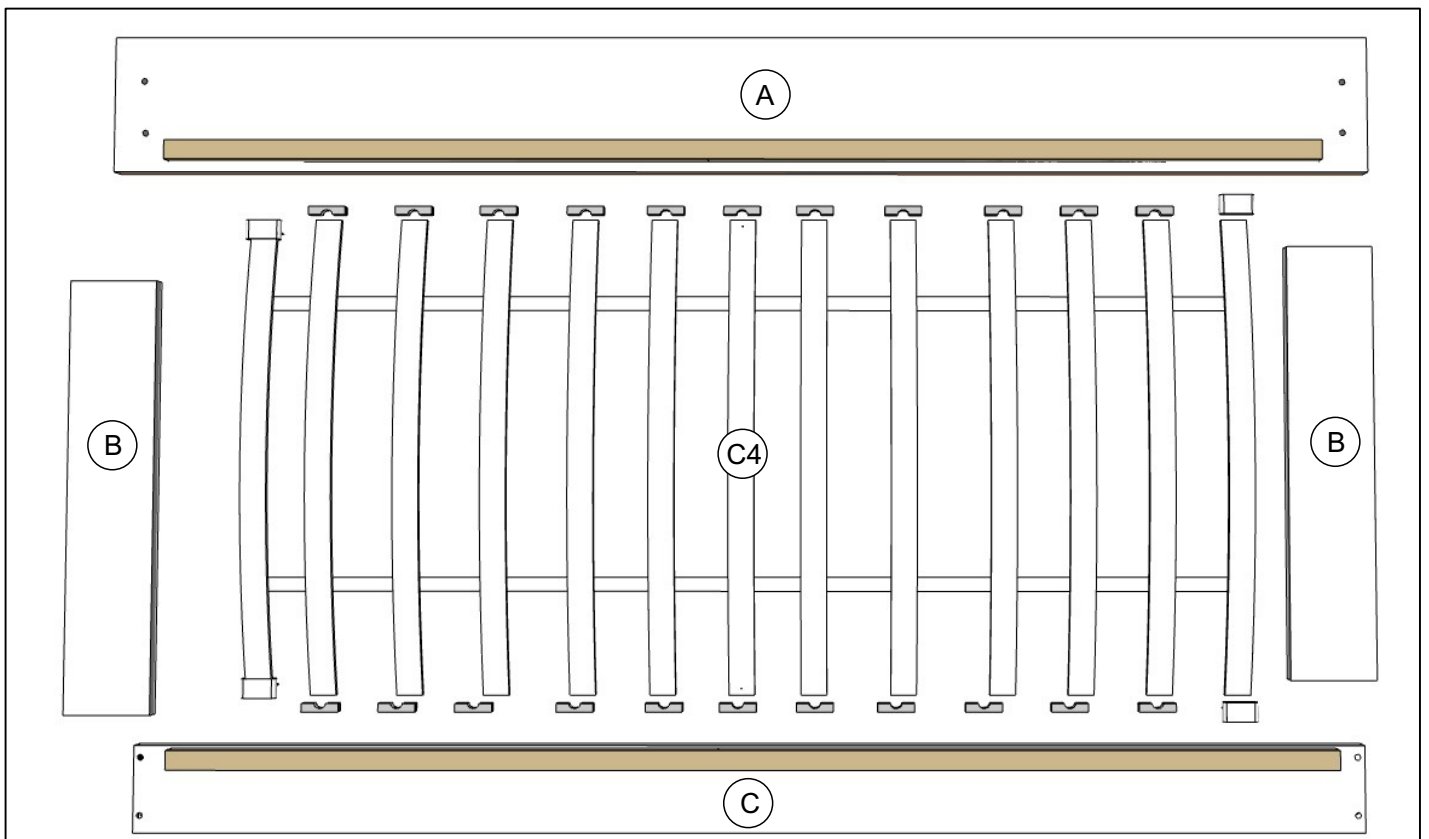
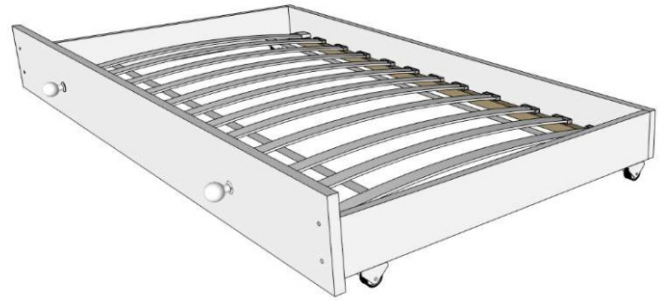
6

S3
3,5x20 x6



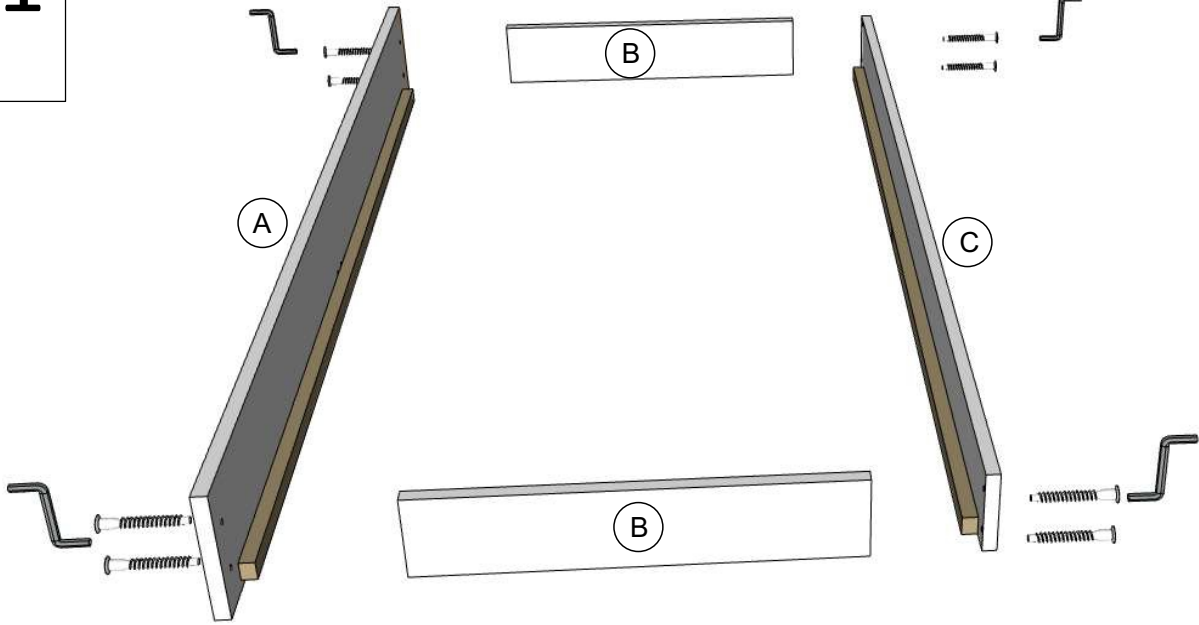
SZII/14

S1		12x
S8		4x
S3		14x
S4		1x
S6		X4
S7		
S2		12x
S5		2x



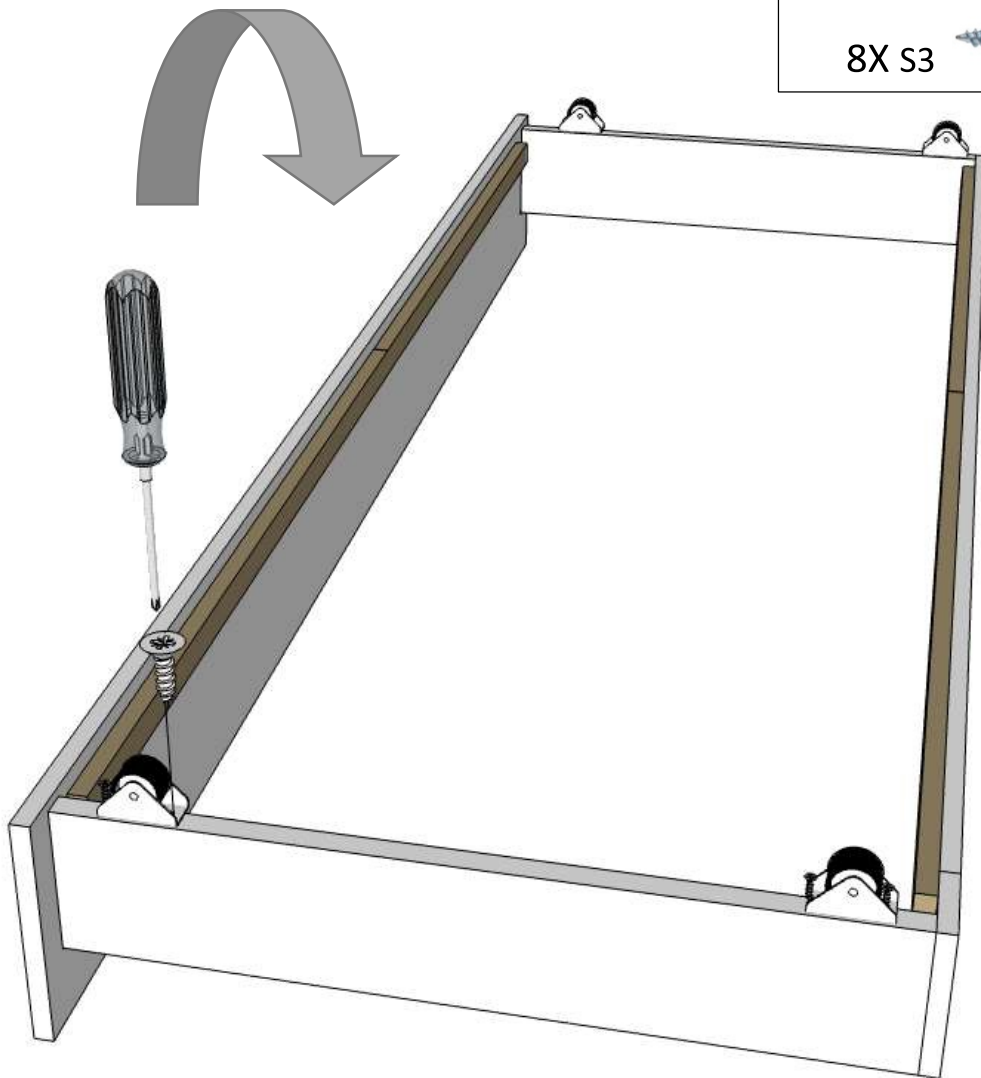
1

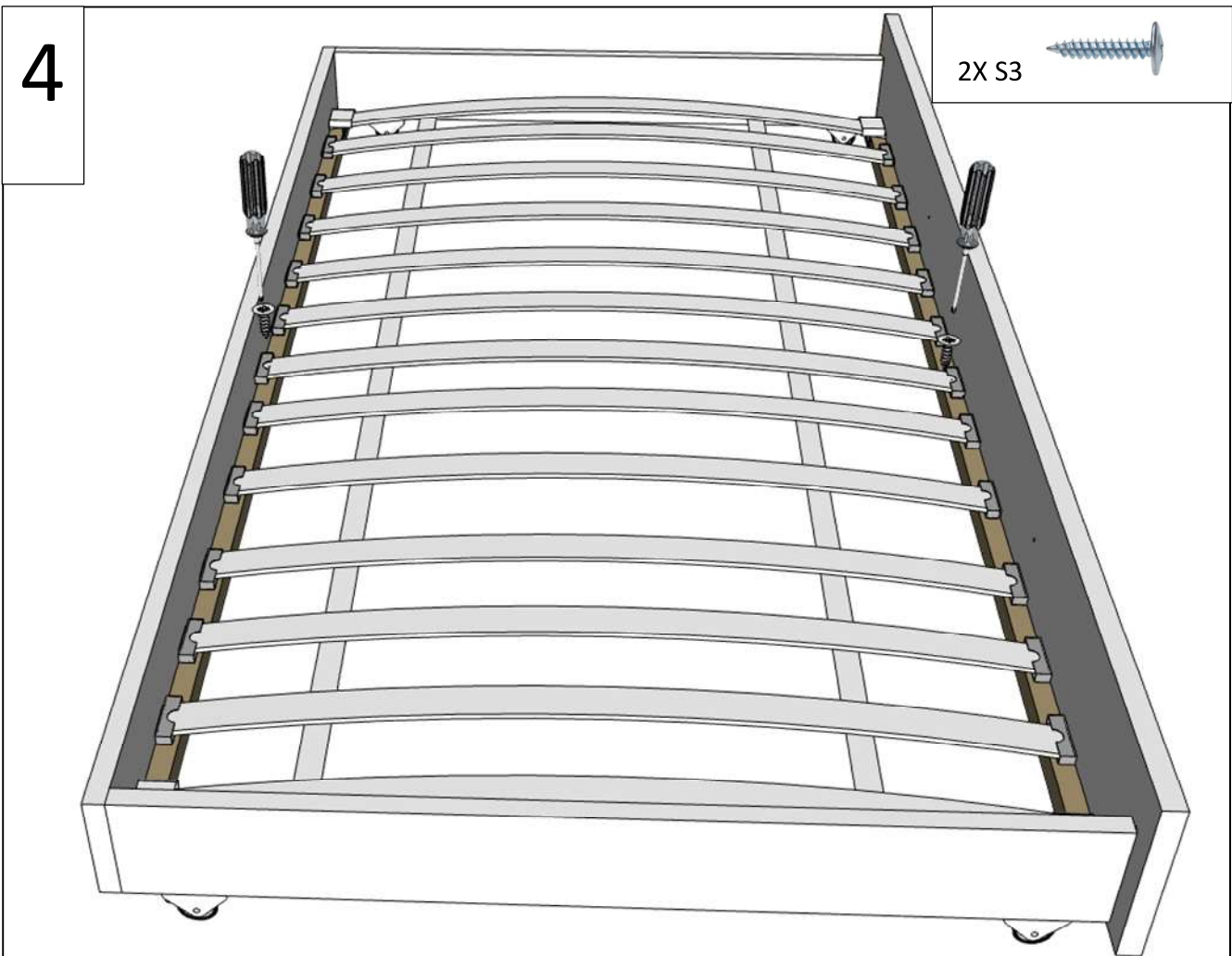
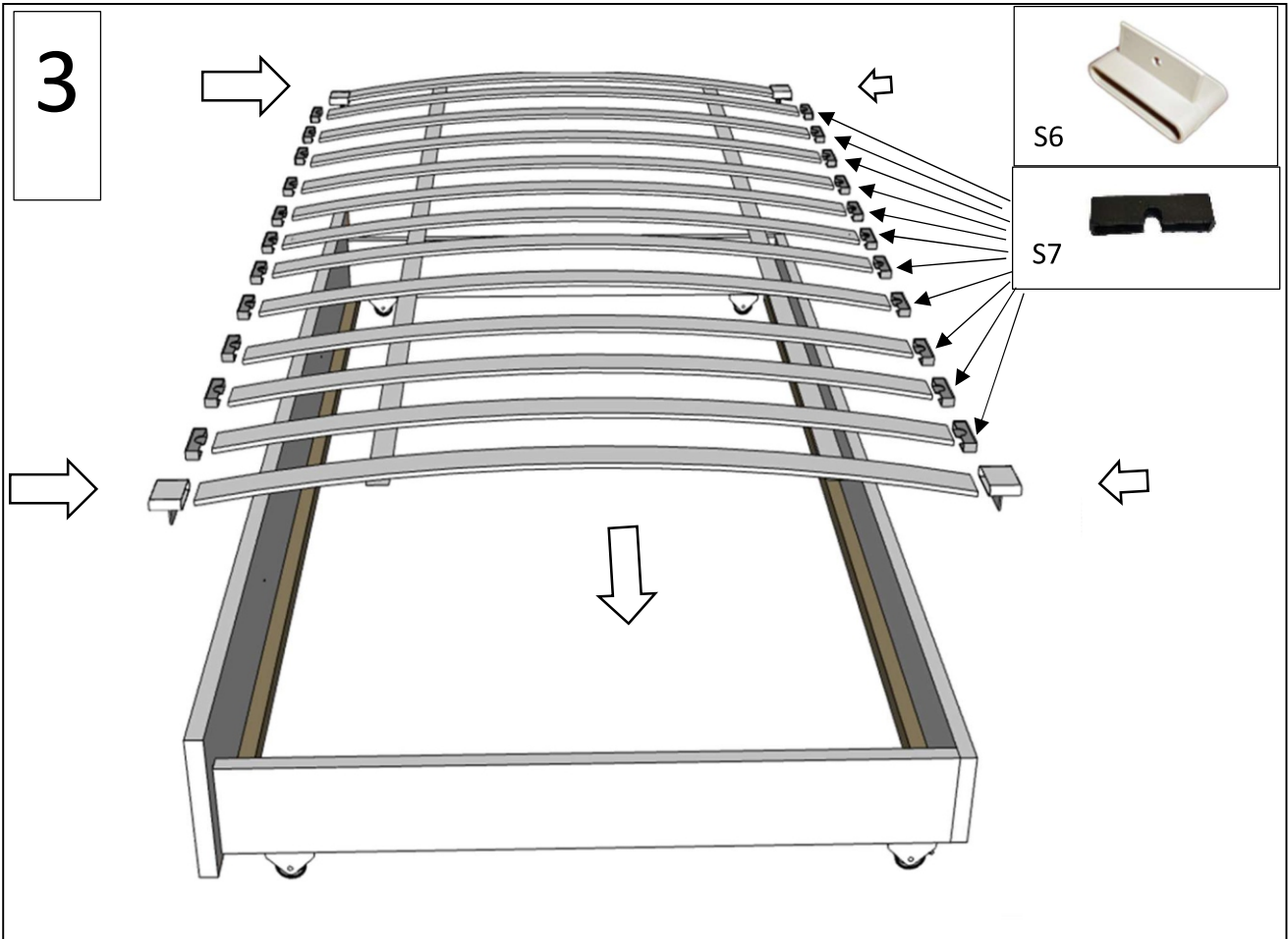
8X S1



2

8X S3





5

4x S3

