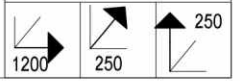
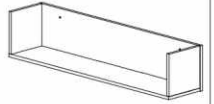


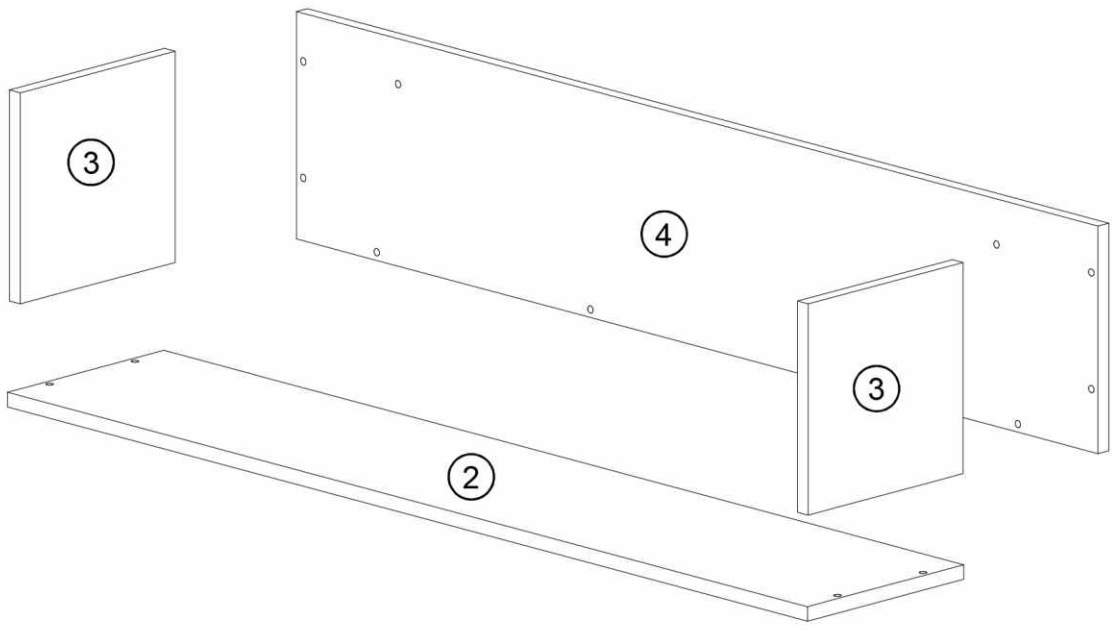
# ASISTENT AS-029-00



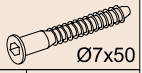
22302,00		22300,00			24102,02		
A	2x	B	12x	C	6x	D	2x

20min		4	≤ 0,5 kg	3m		Ø12	0,6m
-------	--	---	----------	----	--	-----	------

00152	②	1198*234*16	1x	1/1
00153	③	232*232*16	2x	1/1
00154	④	1200*250*16	1x	1/1

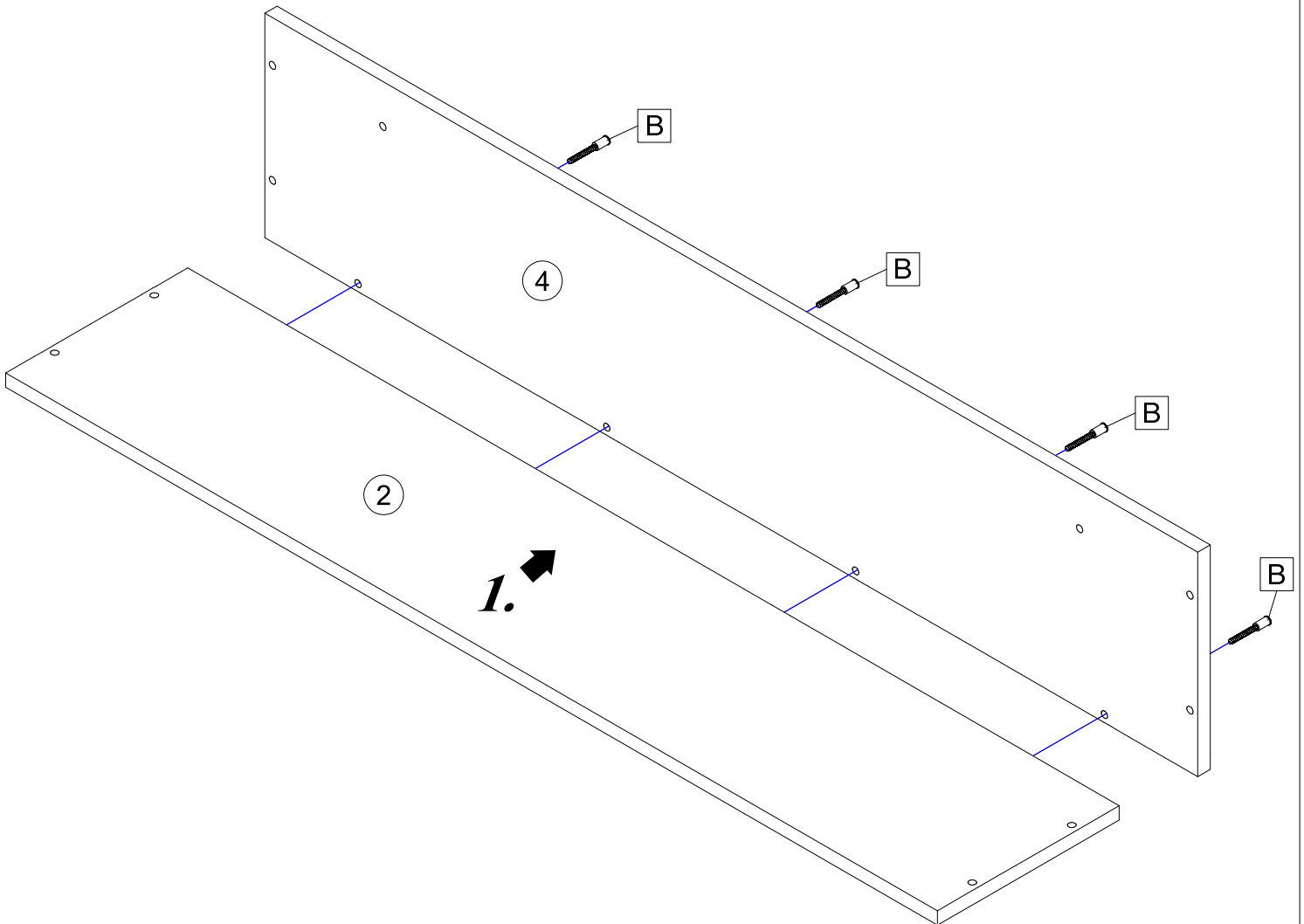




✓	✗  ✓	✗  ✓	✗  ✓	✗  ✓	✗ ✗ ✗
---	------	------	------	------	-------

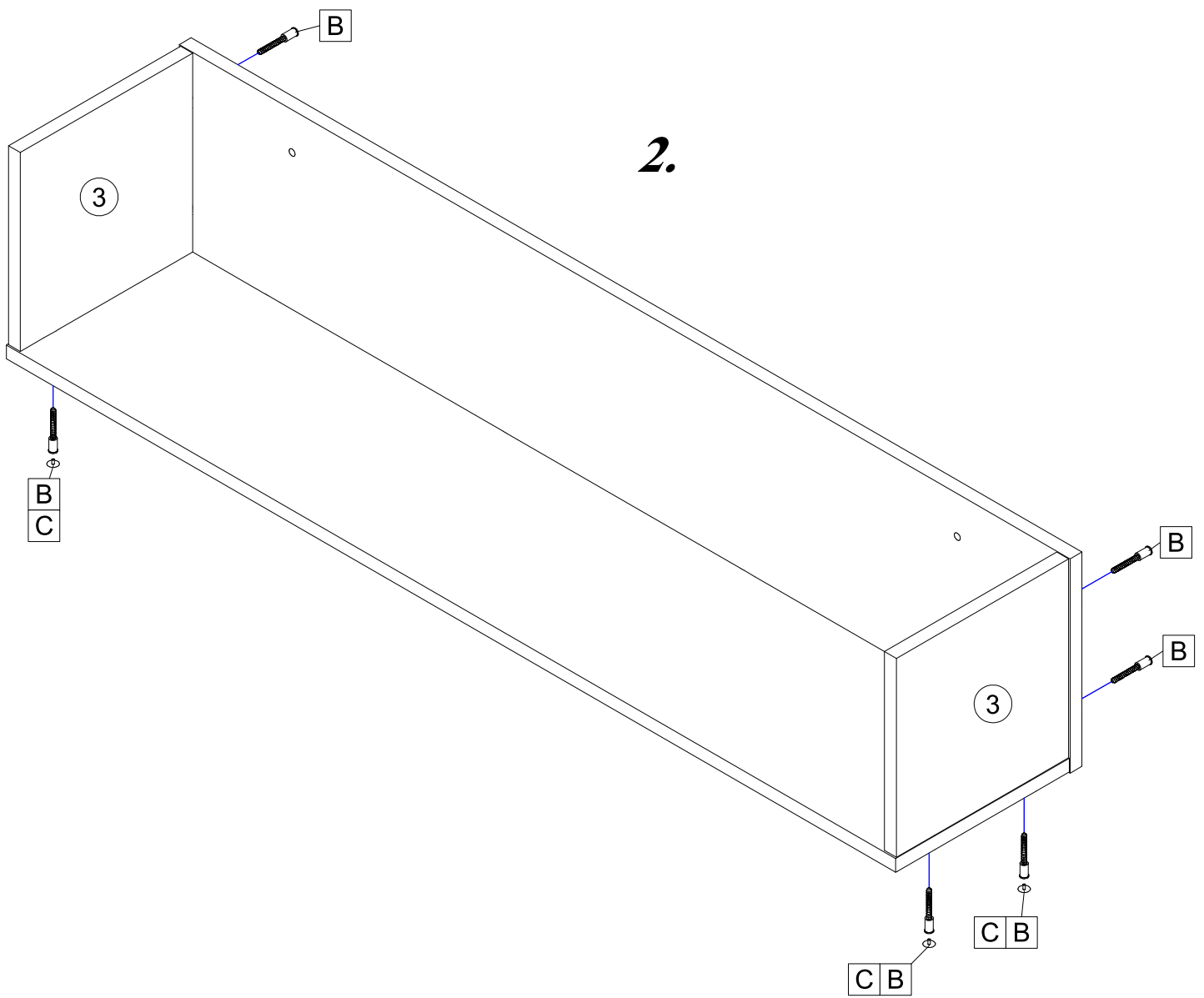


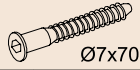

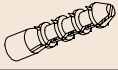
Ø7x50

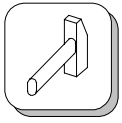
B 4x



	$\varnothing 7 \times 50$		
B	8x	C	4x



 Ø7x70		
A 2x	C 2x	D 2x



896mm

