
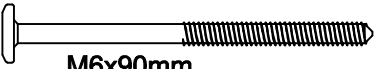


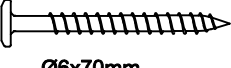


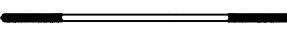



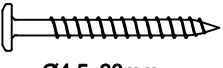


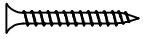
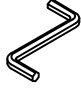


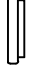

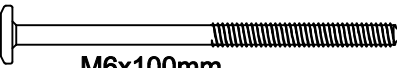
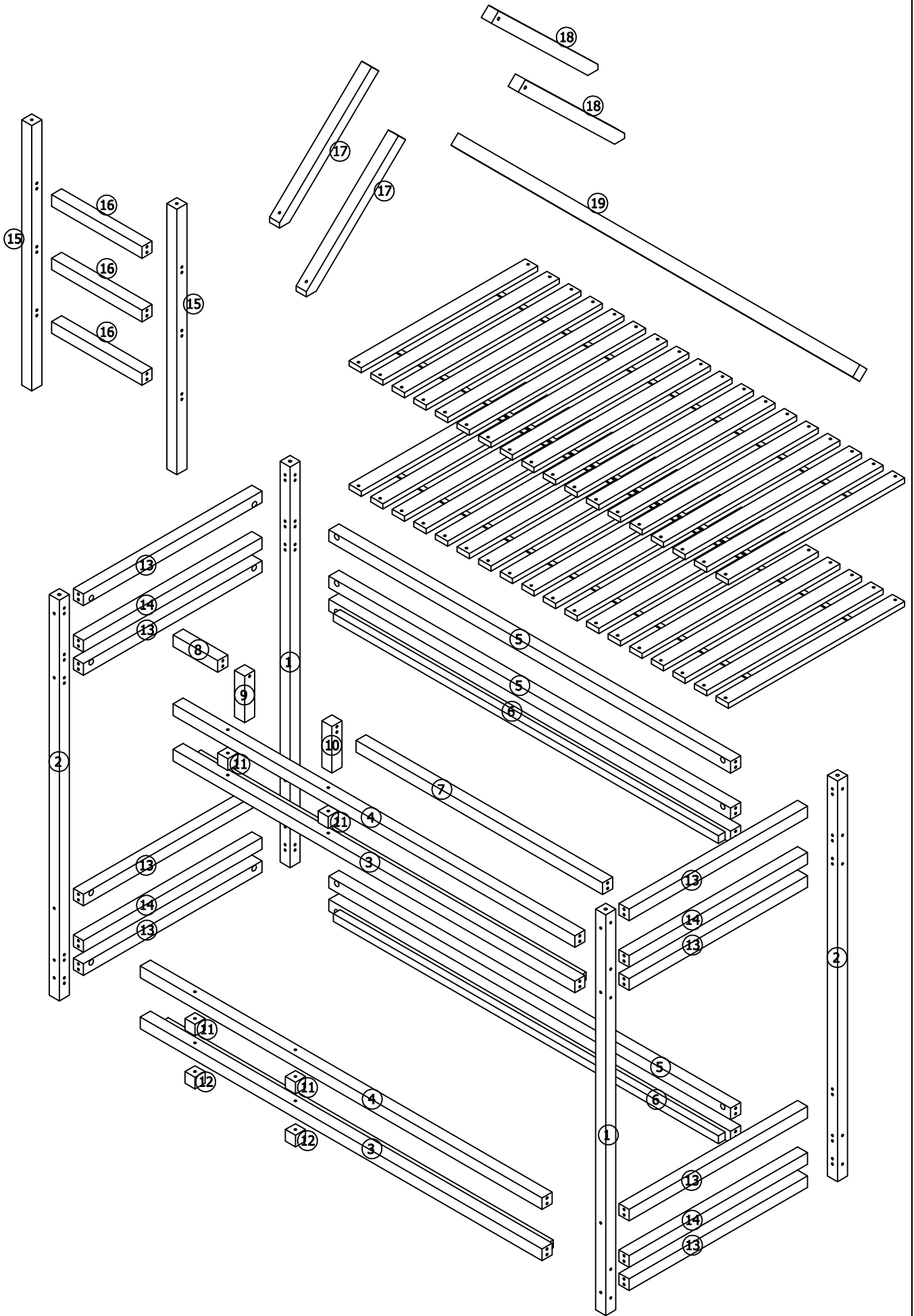


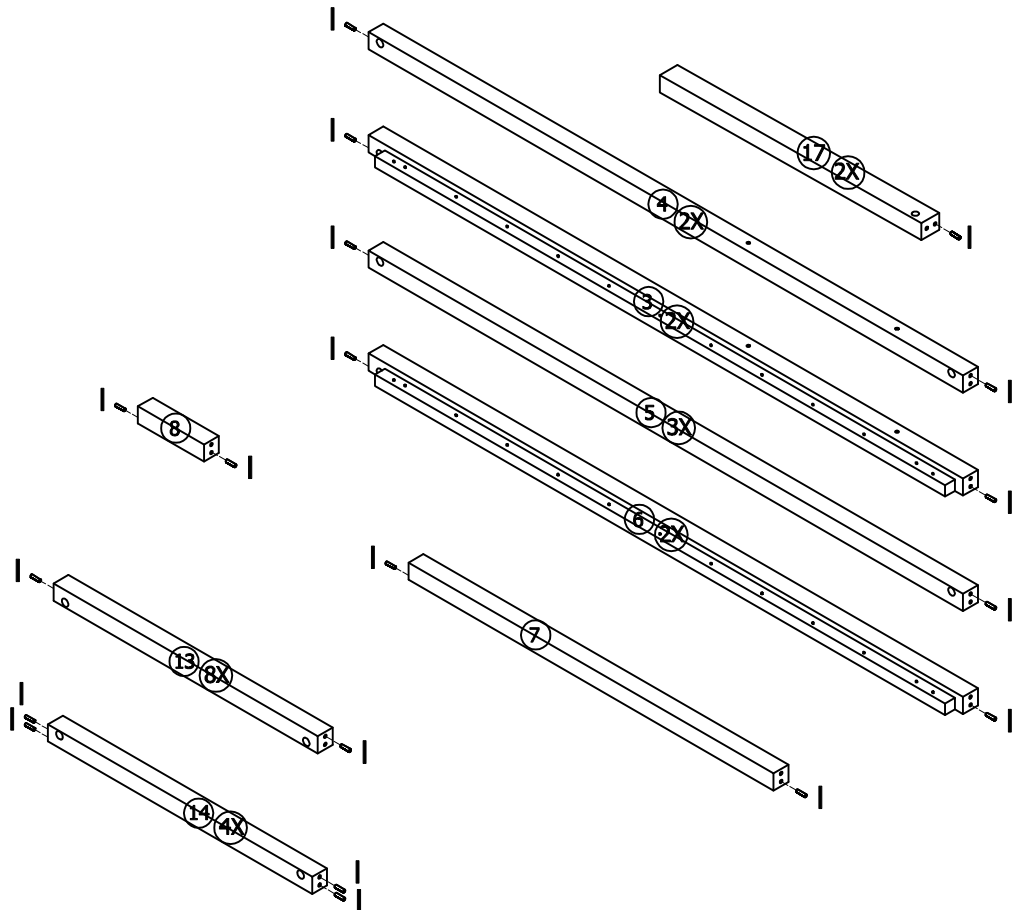
HARDWARE


A	 15mm	 M6x90mm	30
B			32
C	 15mm	 Ø6x70mm	02
D	 10mm	 Ø6x90mm	12
E			04
F			08
G			08
H	 8mm	 Ø4.5x60mm	04

I		 Ø8x30mm	58
J	 8mm	 Ø4.5x30mm	72
K			02
L			02
M			08
O		 Ø15mm	30
P	 15mm	 M6x100mm	02

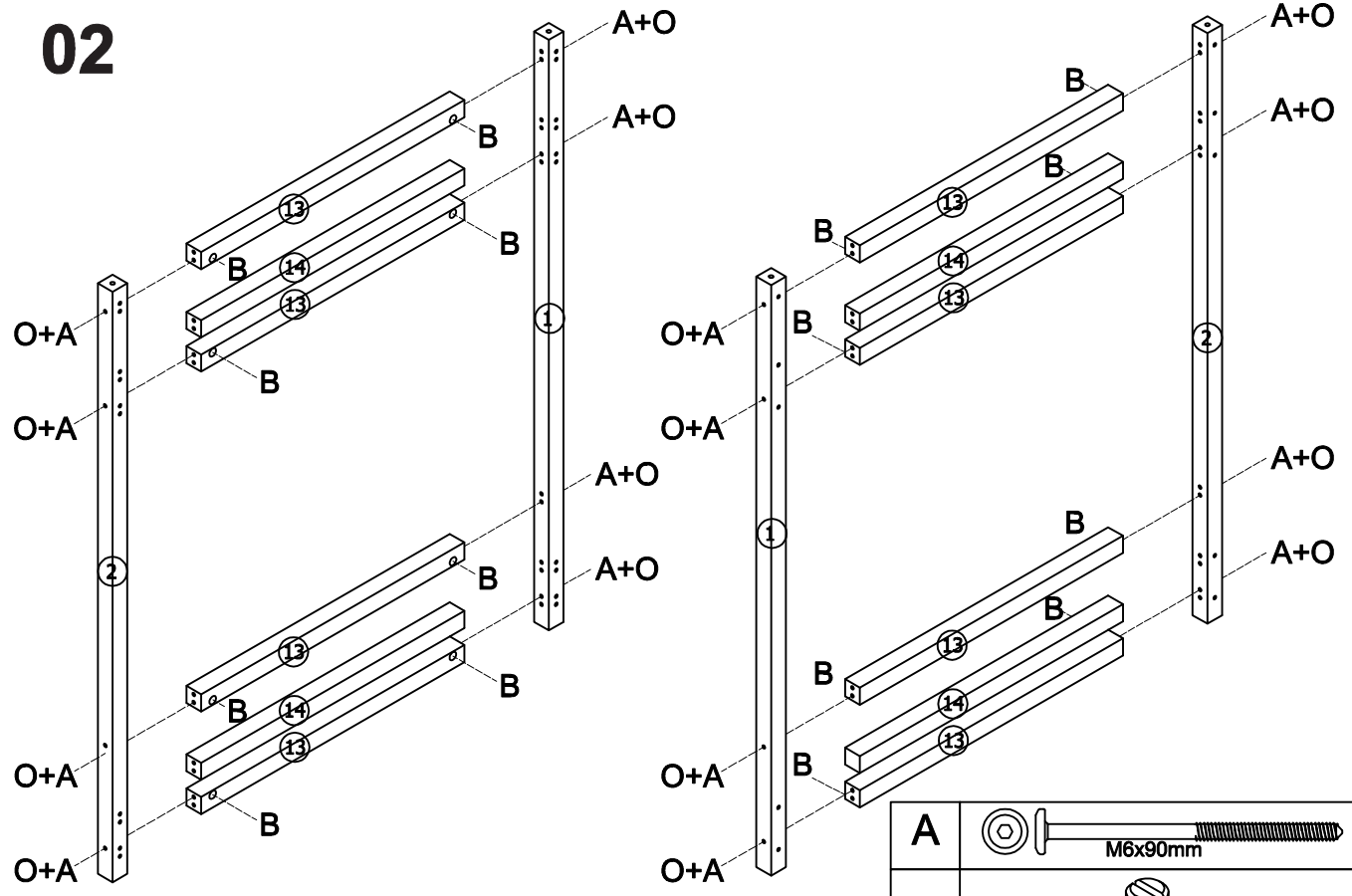





01



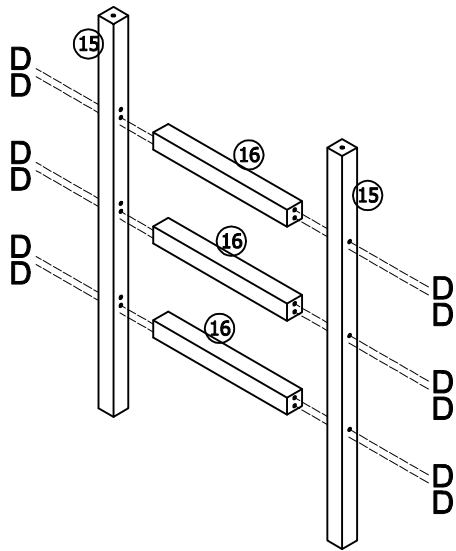
I	 Ø8x30mm	58
---	--	----


02



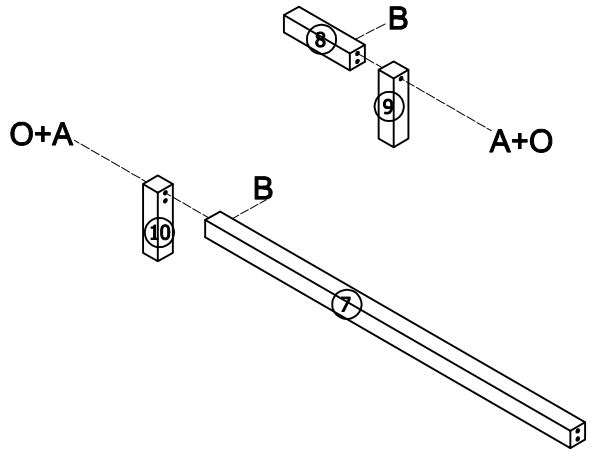
A	 M6x90mm	16
B		16
O	 Ø15mm	16


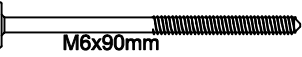

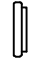

03



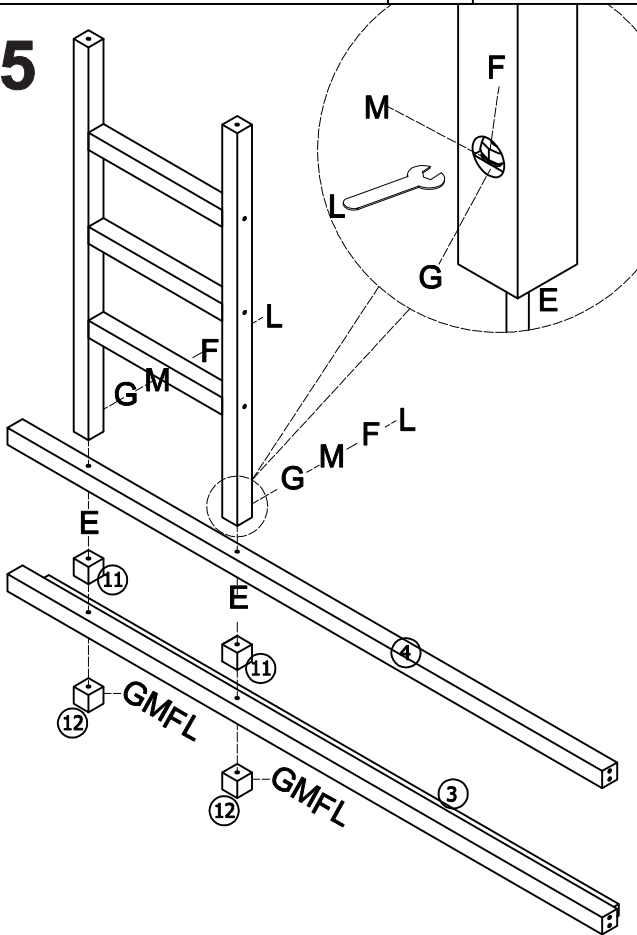
D			12
	10mm	Ø6x90mm	

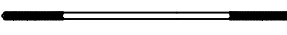



04



A			02
		M6x90mm	
B			02
O			02
		Ø15mm	

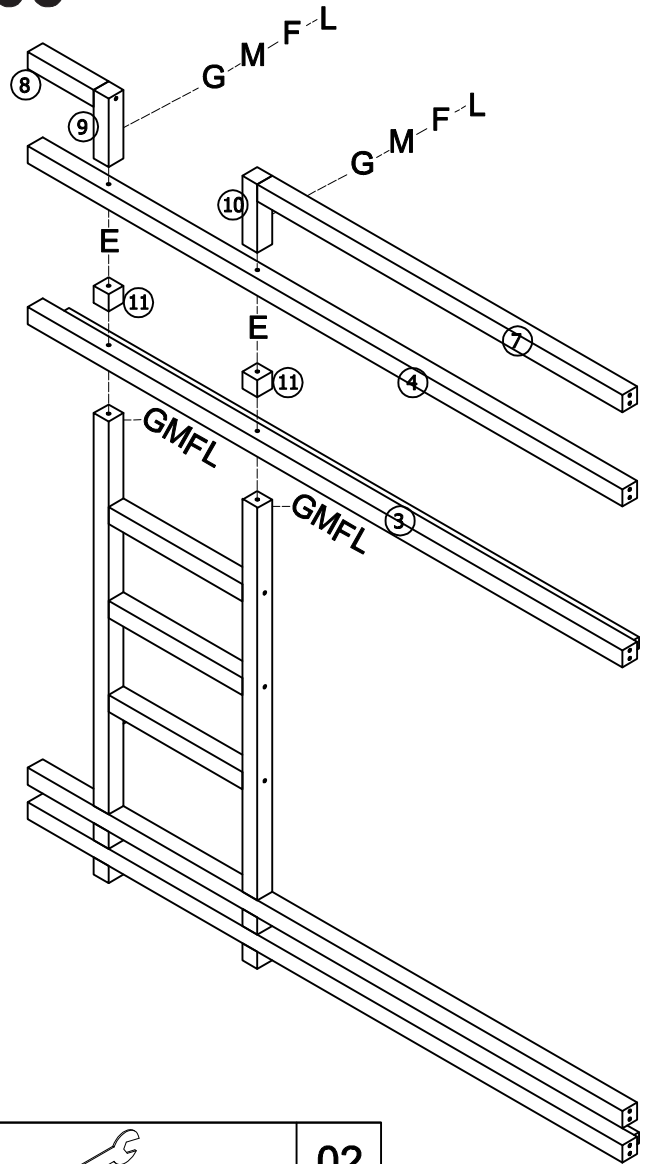
05



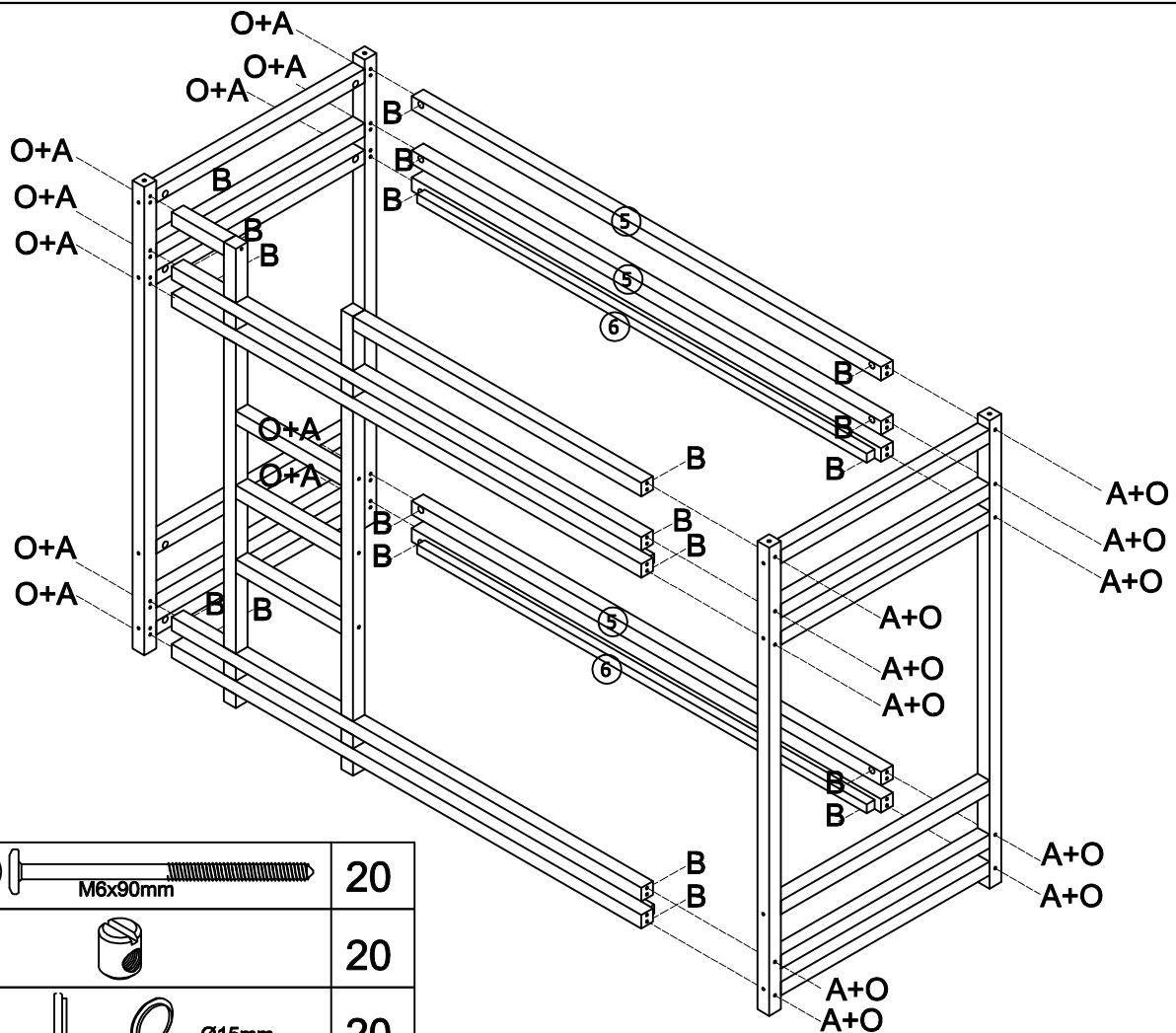
E		04
F		08
G		08
M		08




L		02
---	---	----

06

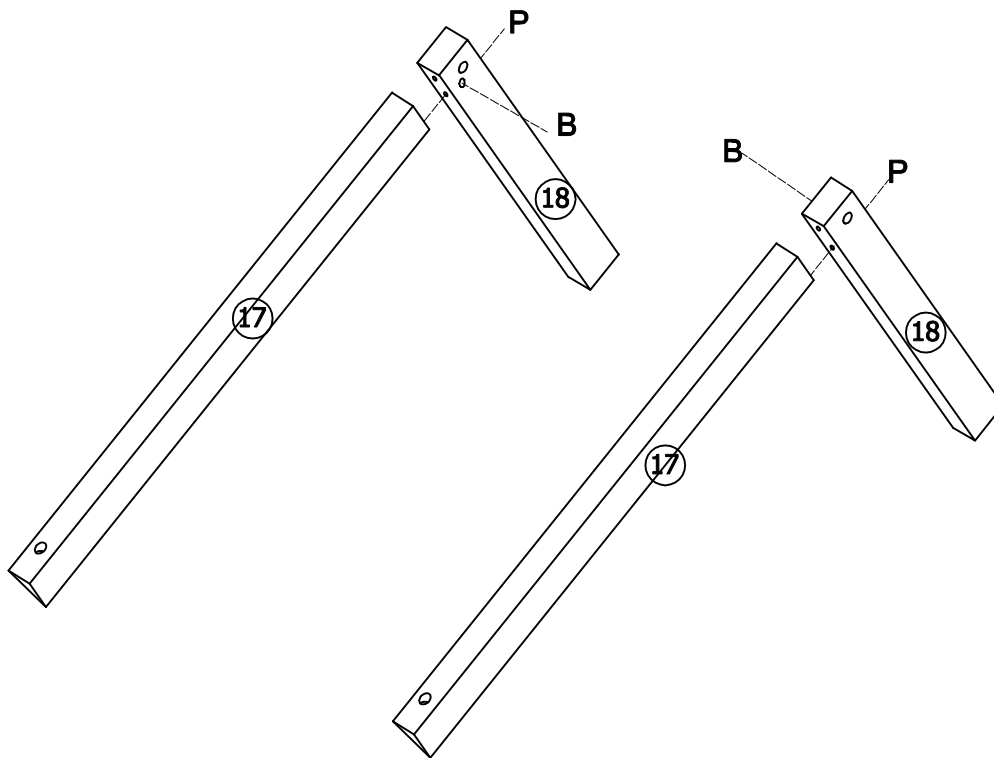




07



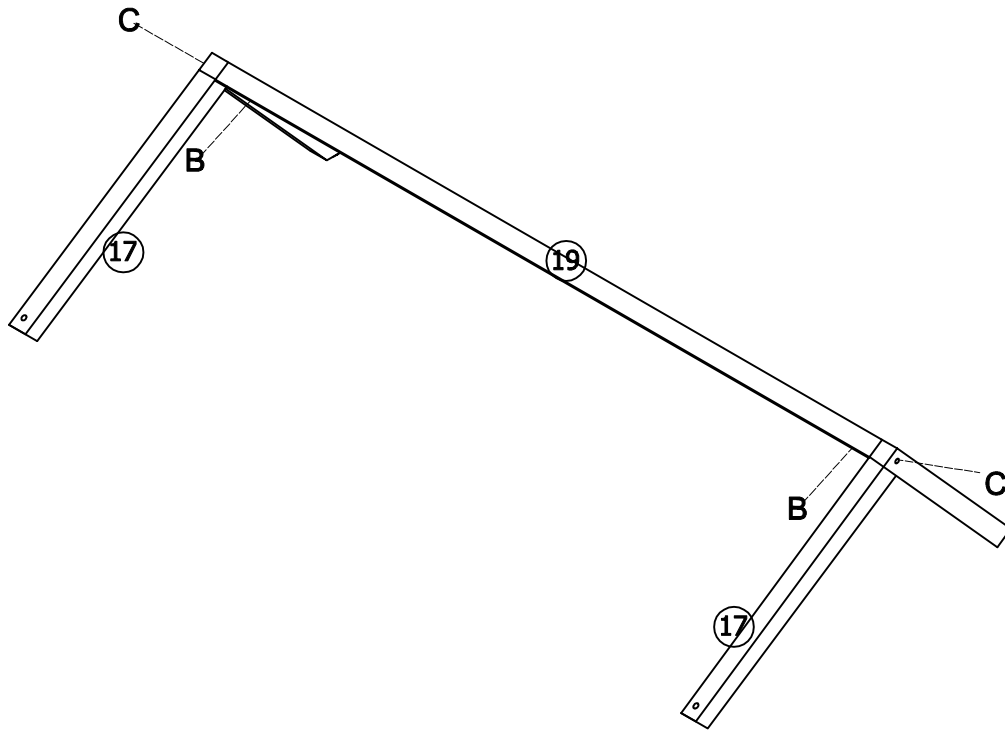
A	 M6x90mm	20
B		20
O	 Ø15mm	20




08



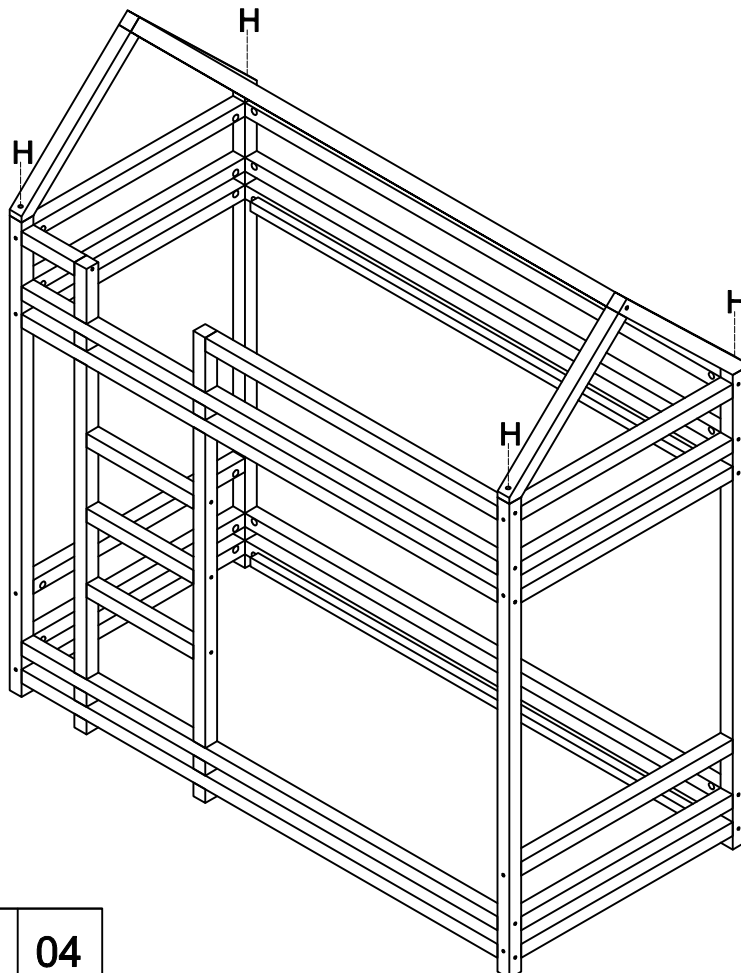
P	 M6x100mm	02
B		02

09



B		02
C	 	02

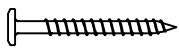
10



H



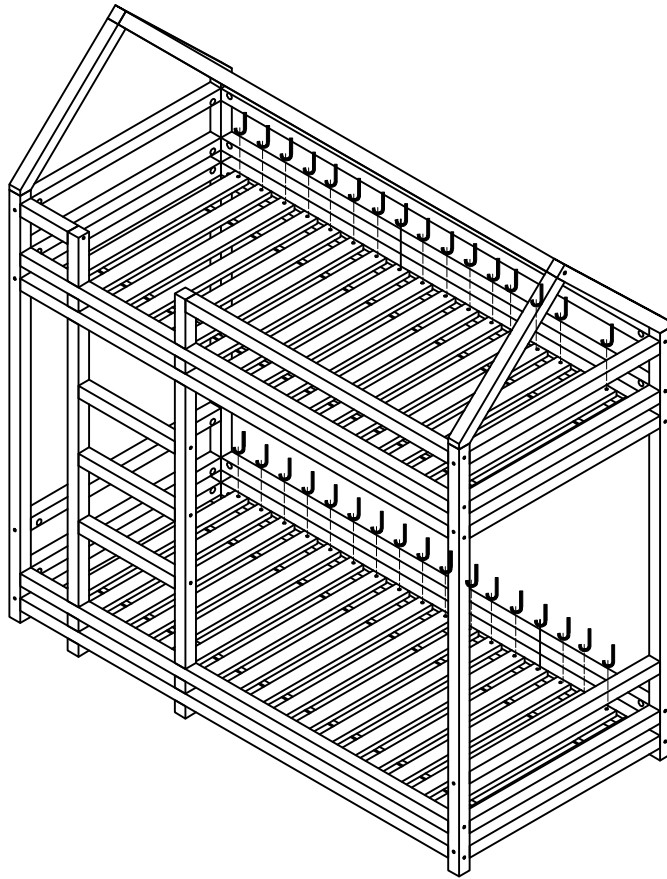
8mm



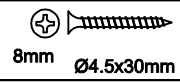
Ø4.5x60mm

04

11



J



72

12

