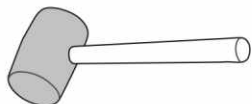
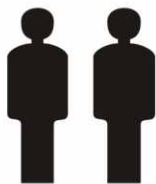
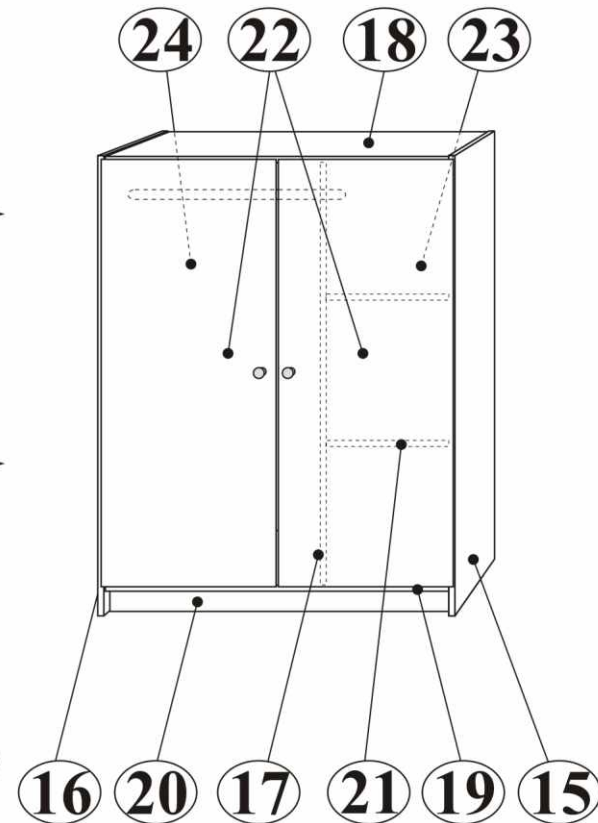
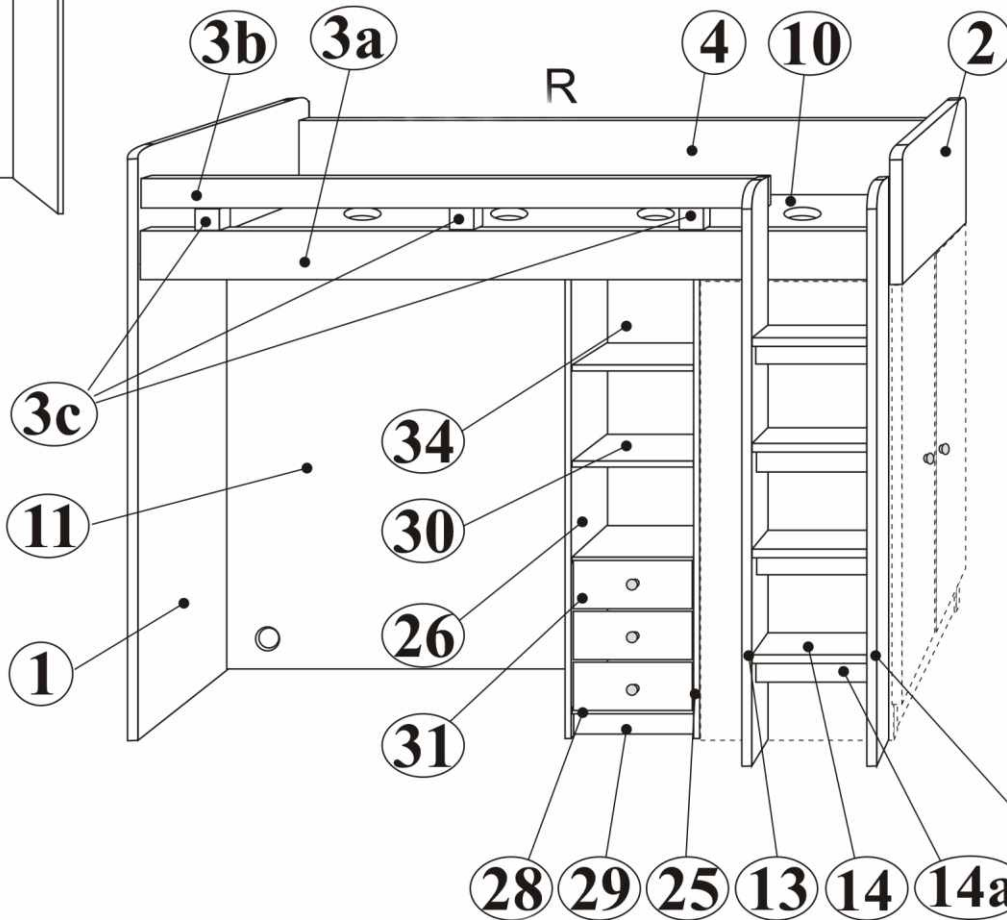
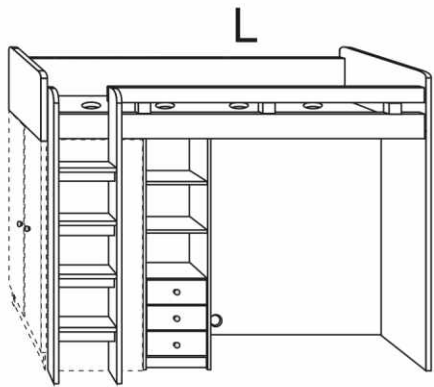
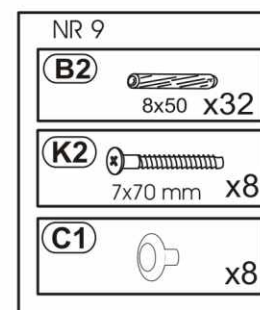
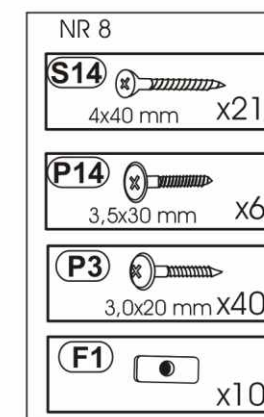
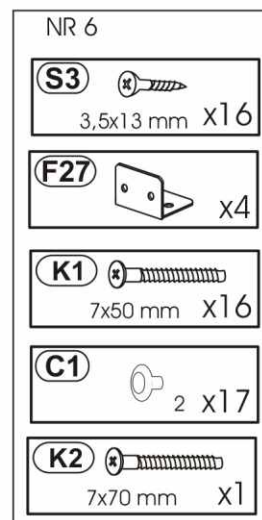
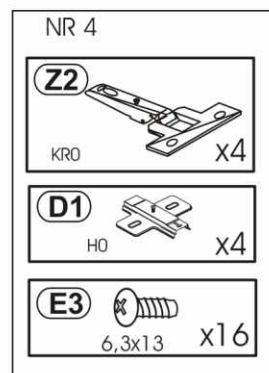
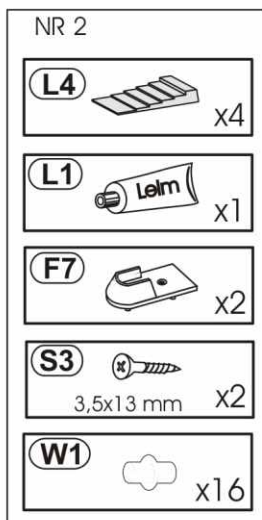
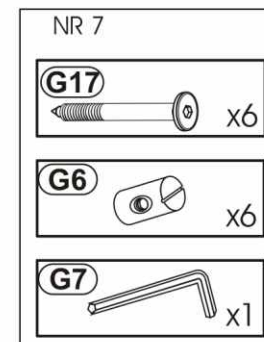
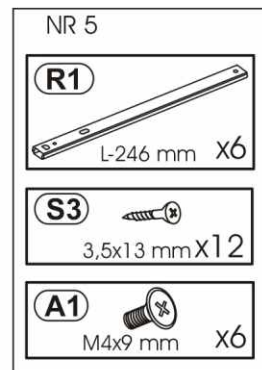
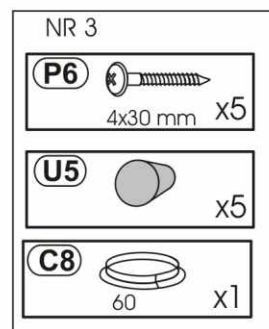
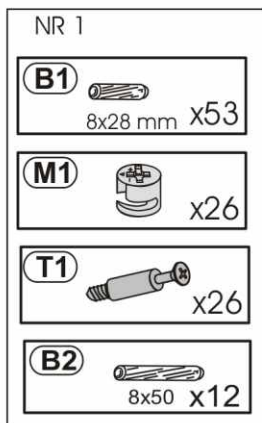


# SUN

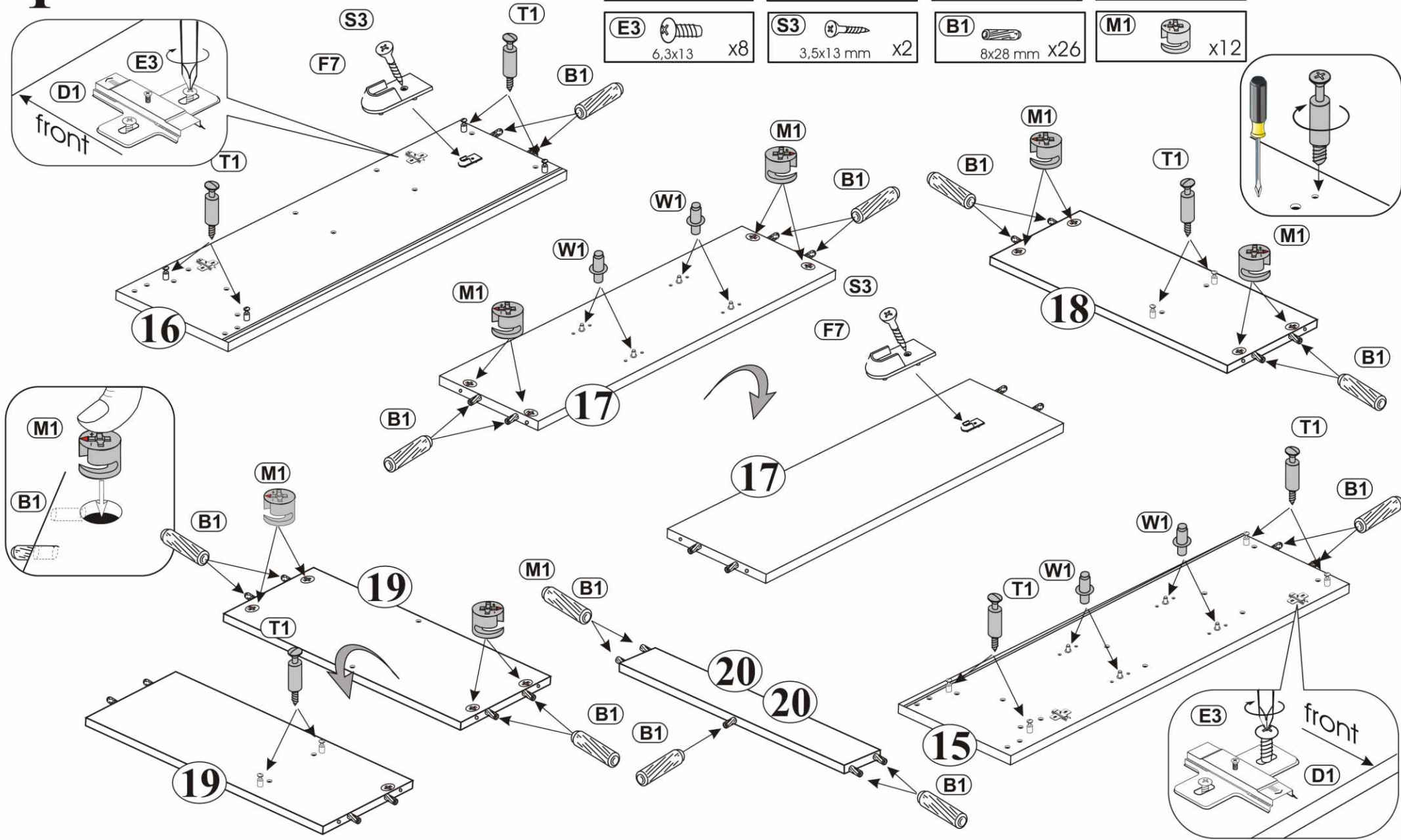


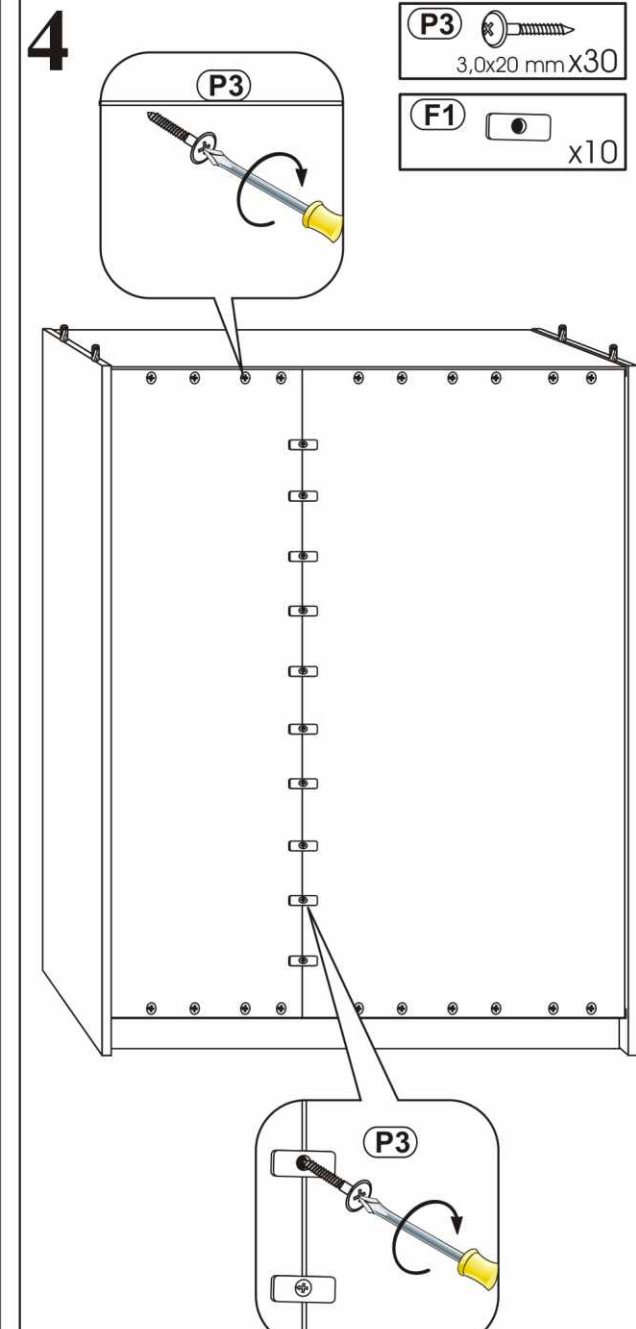
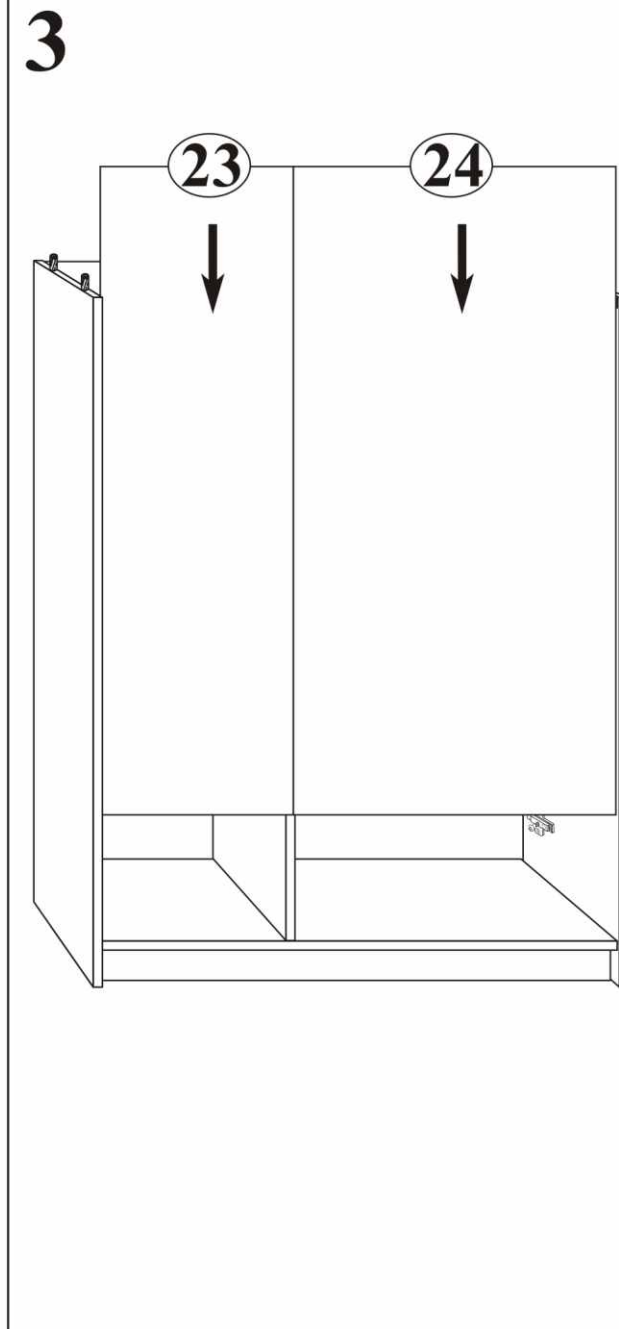
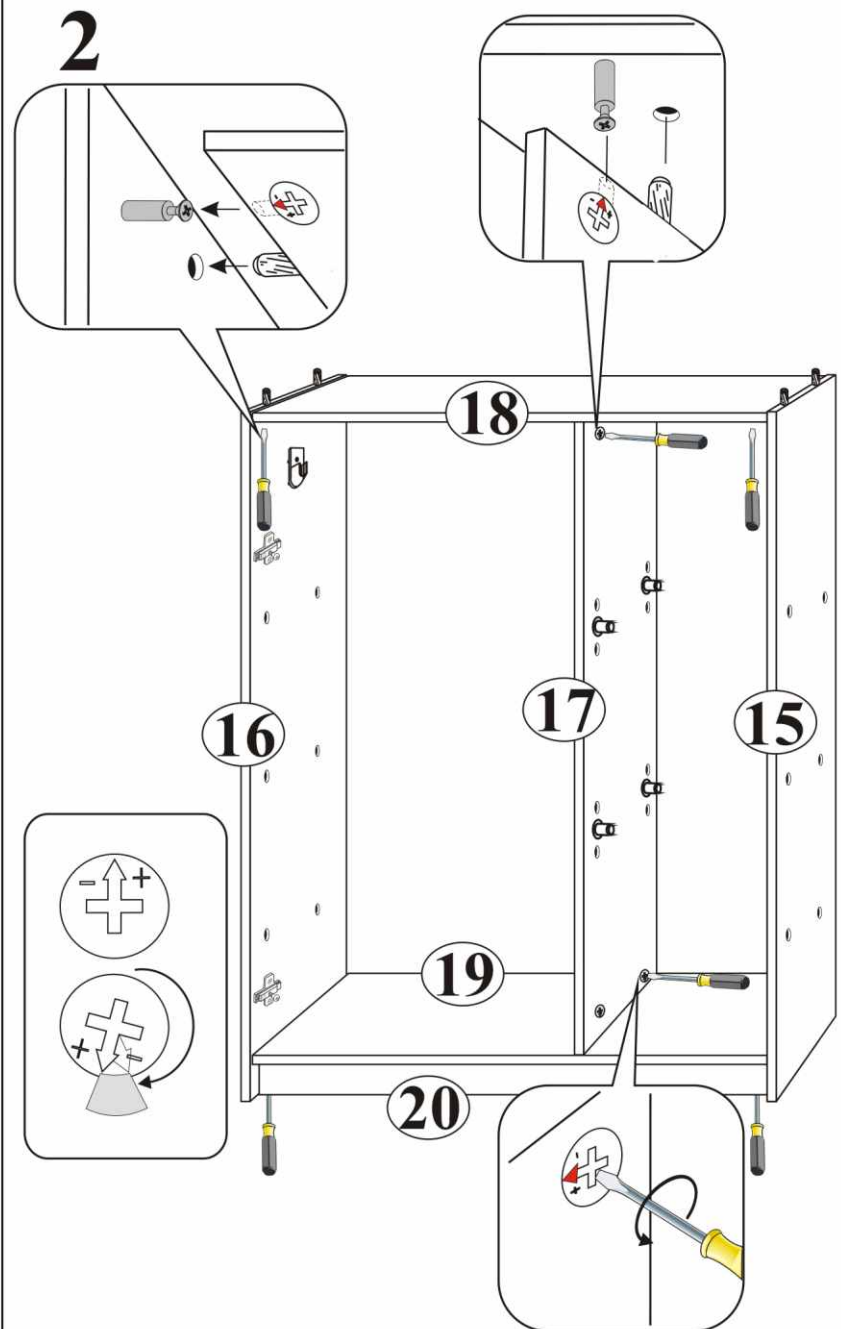
|          | mm | 15 | 18 | 22 |
|----------|----|----|----|----|
| 0<400    |    |    |    |    |
| 401<600  |    | 40 | 40 | 40 |
| 601<800  |    | 24 |    |    |
| 801<1000 |    | 15 | 30 |    |







1

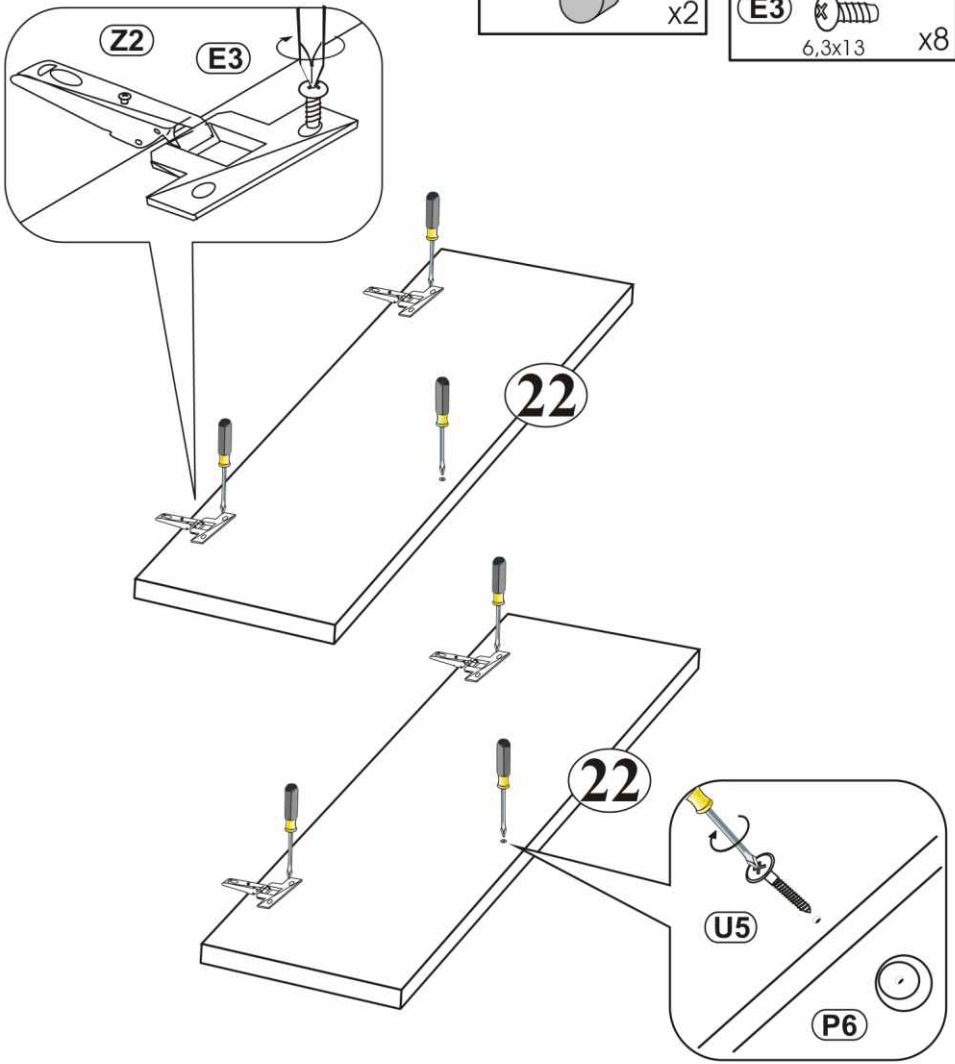
- D1** HO x4
- F7** x2
- W1** x8
- T1** x12
- E3** 6,3x13 x8
- S3** 3,5x13 mm x2
- B1** 8x28 mm x26
- M1** x12






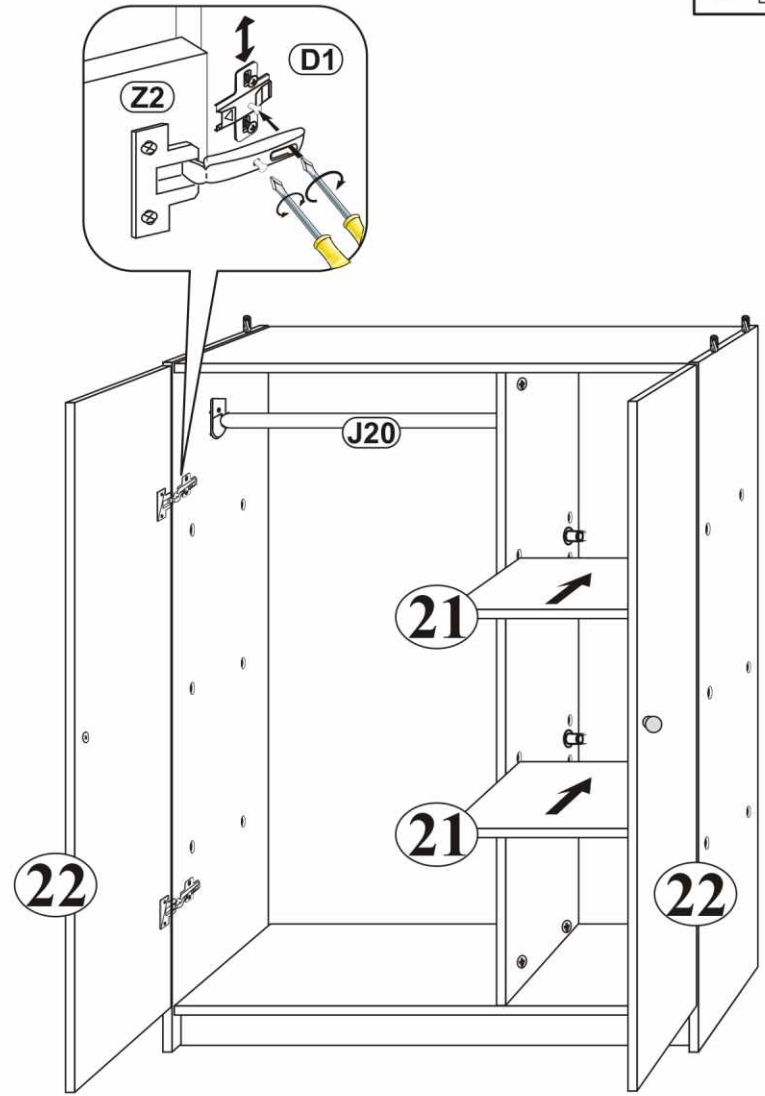
5

- P6**  4x30 mm x2
- Z2**  KRO x4
- U5**  x2
- E3**  6,3x13 x8



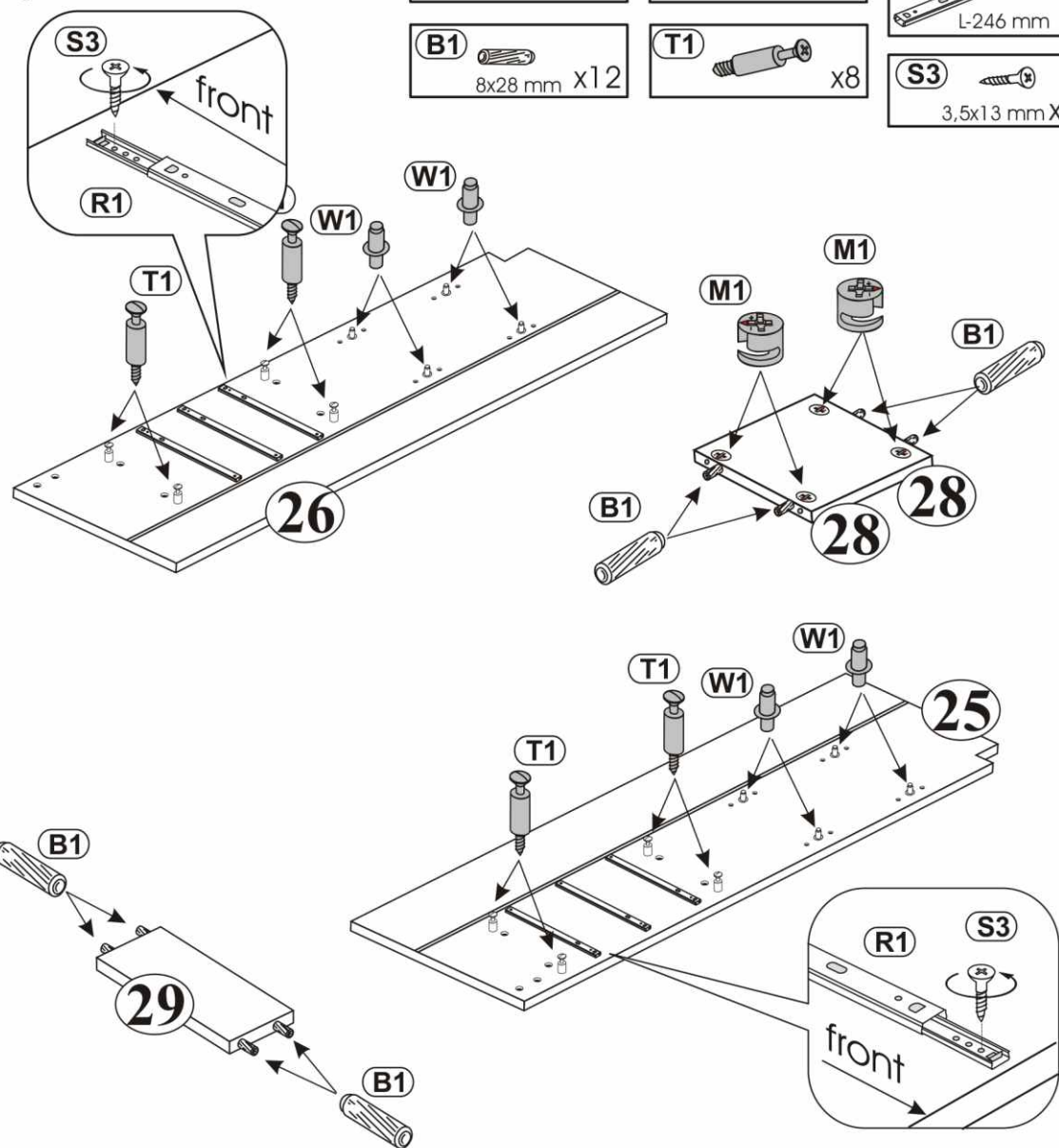
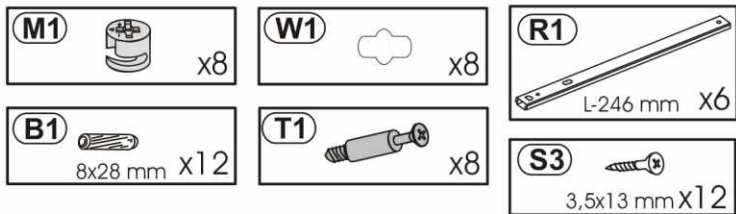
6

- J20**  L-589 mm x1

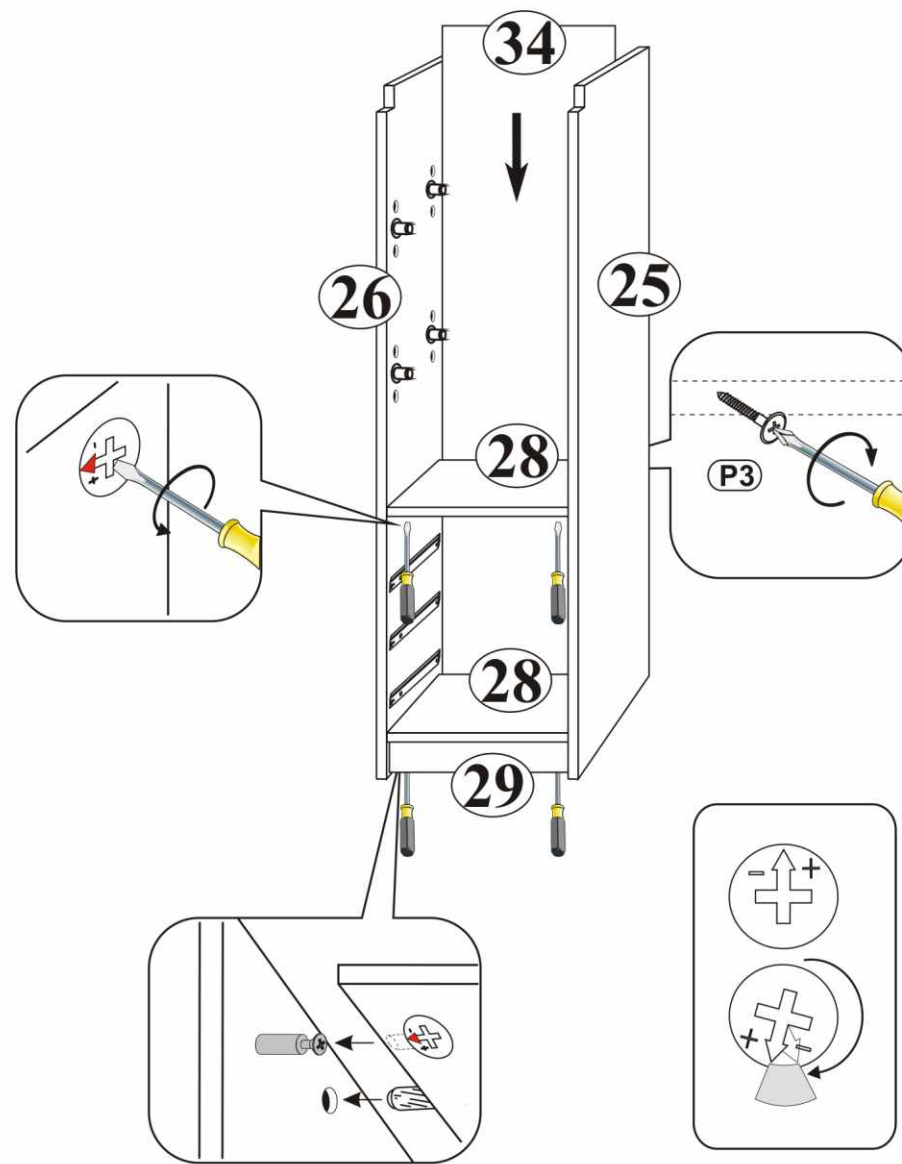
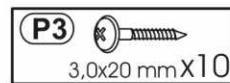




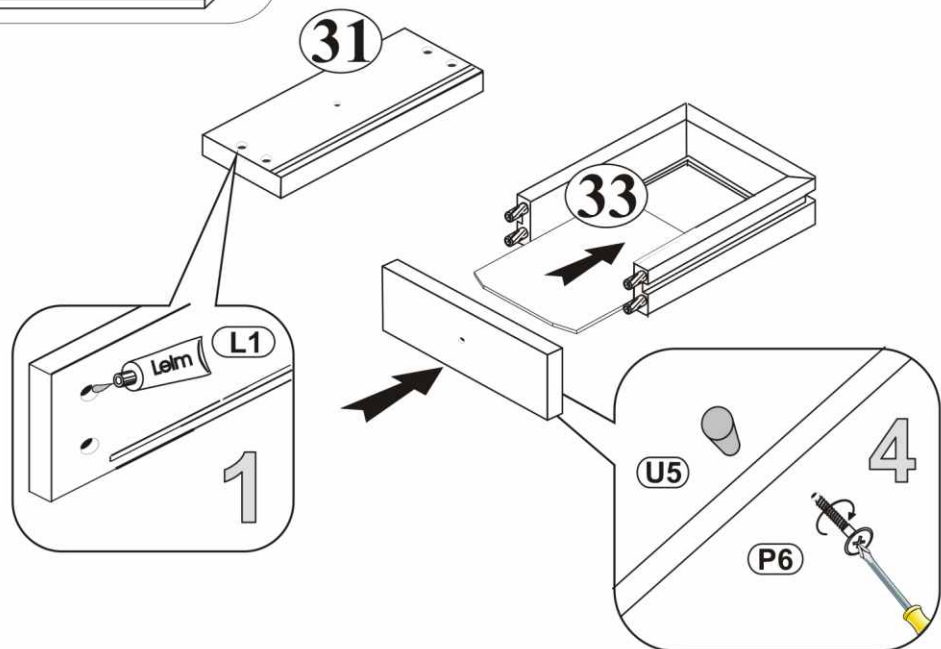
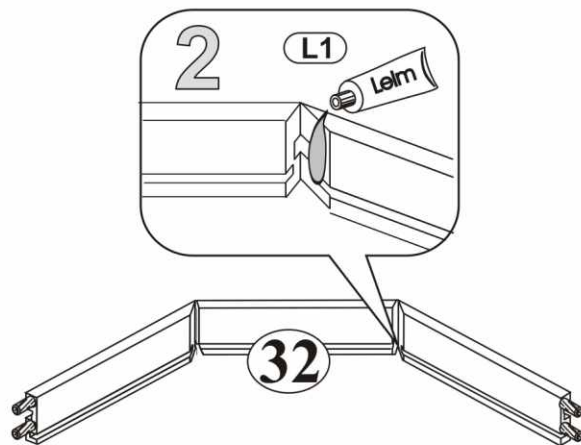
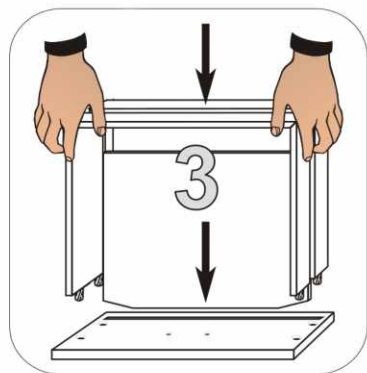
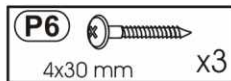
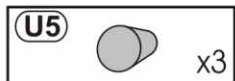
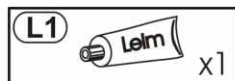
7



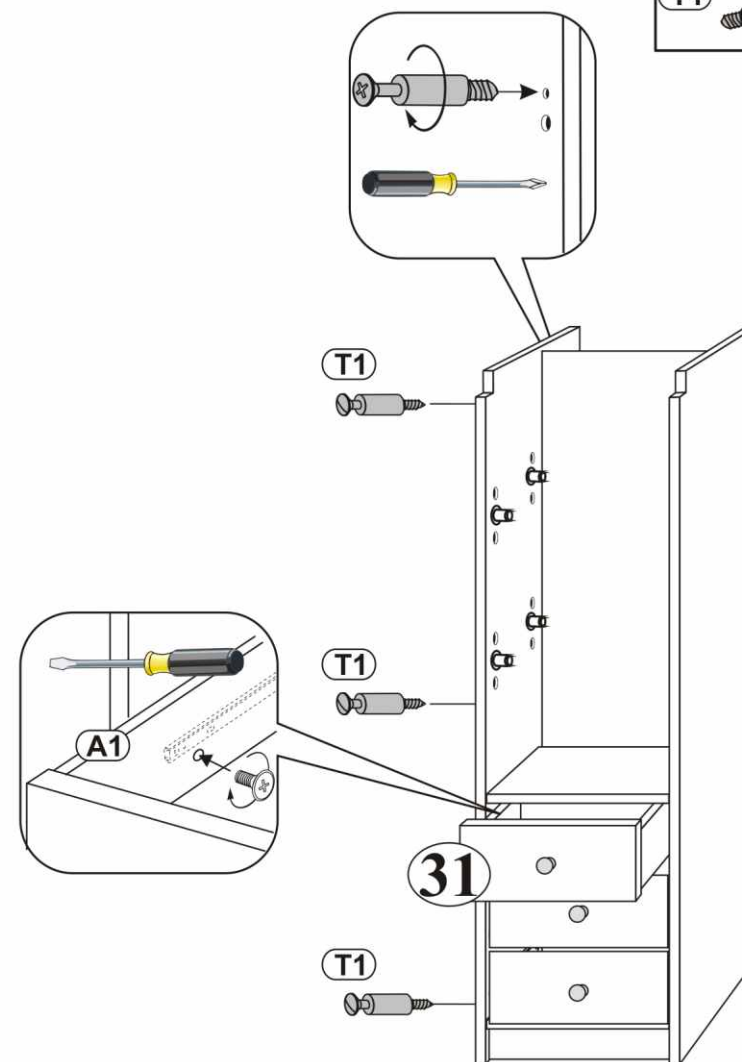
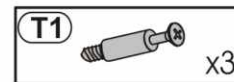
8




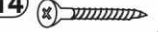


9



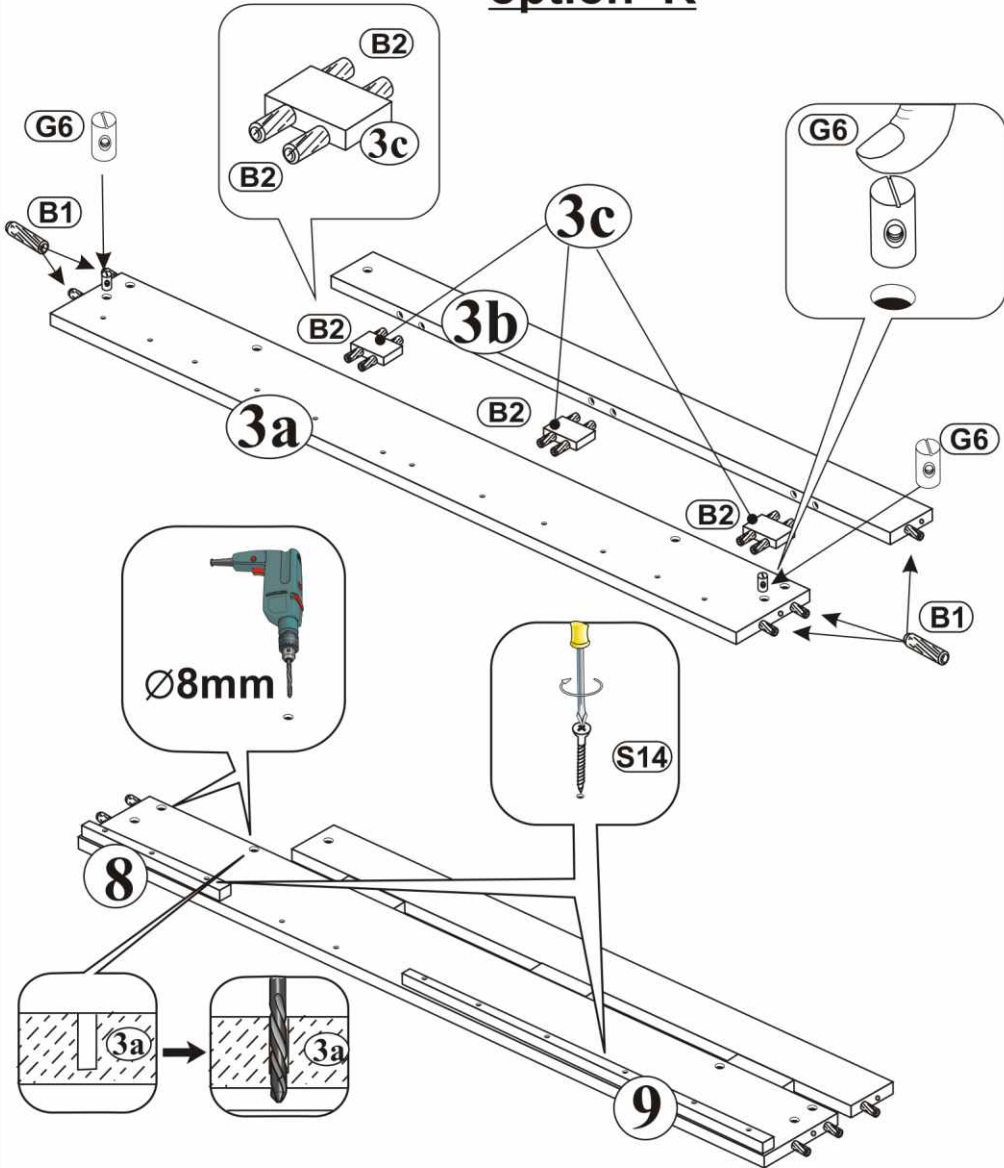
10



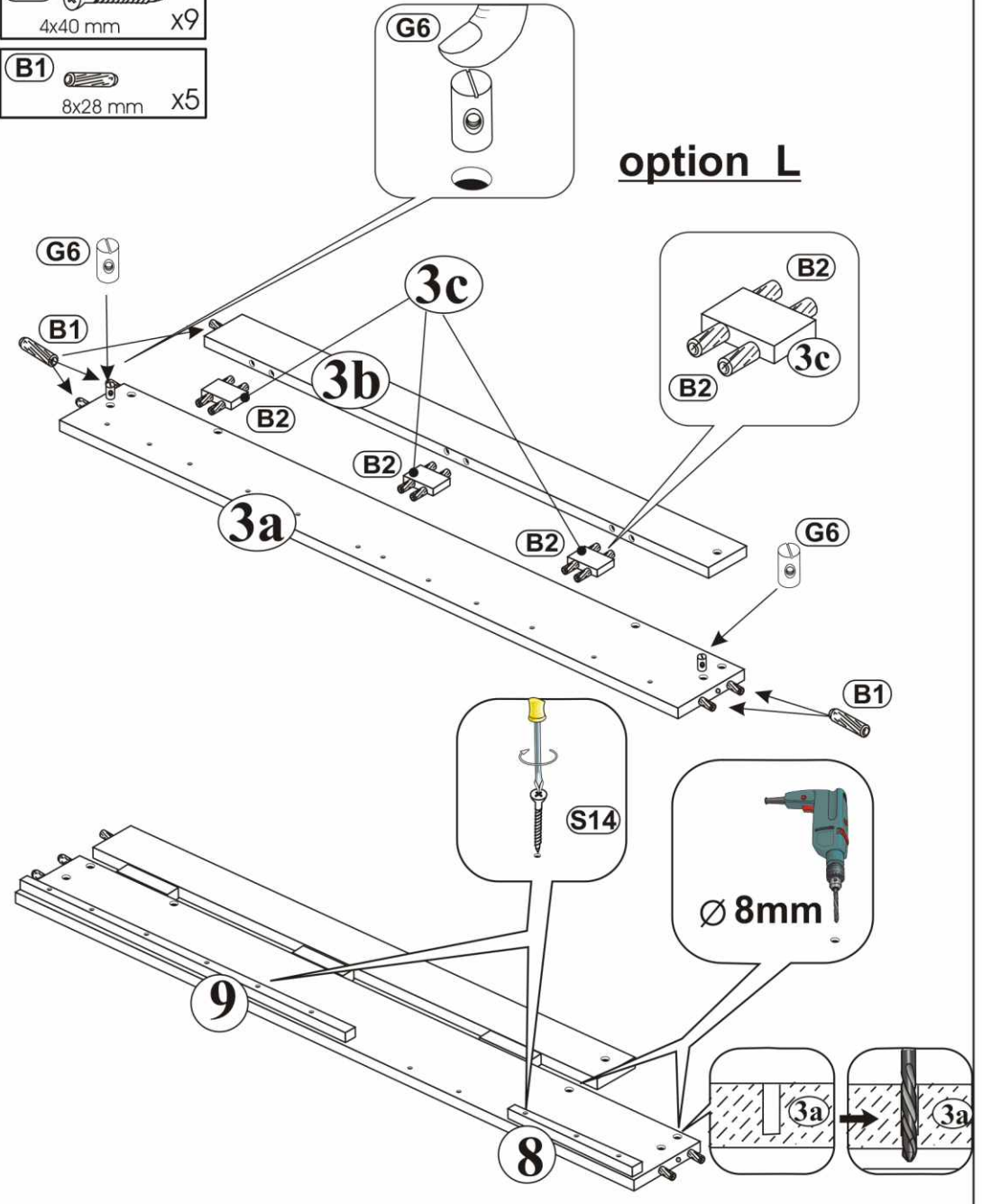
11

- |   |   |
|---|---|
| <b>G6</b>  x2       | <b>S14</b>  4x40 mm x9 |
| <b>B2</b>  8x50 x12 | <b>B1</b>  8x28 mm x5  |

**option R**



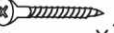




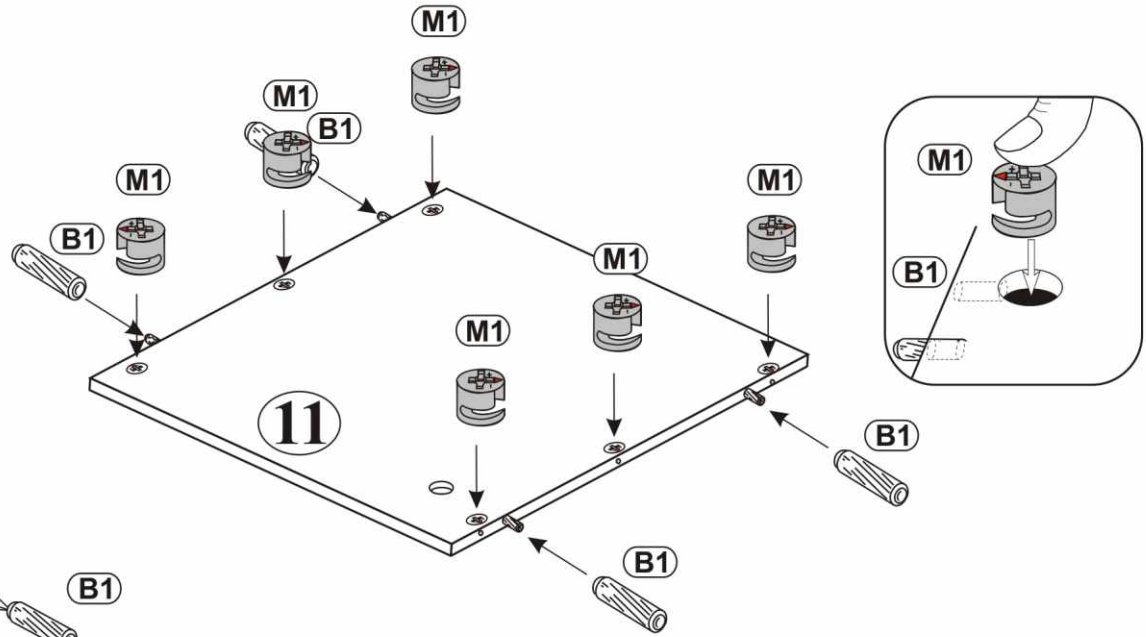
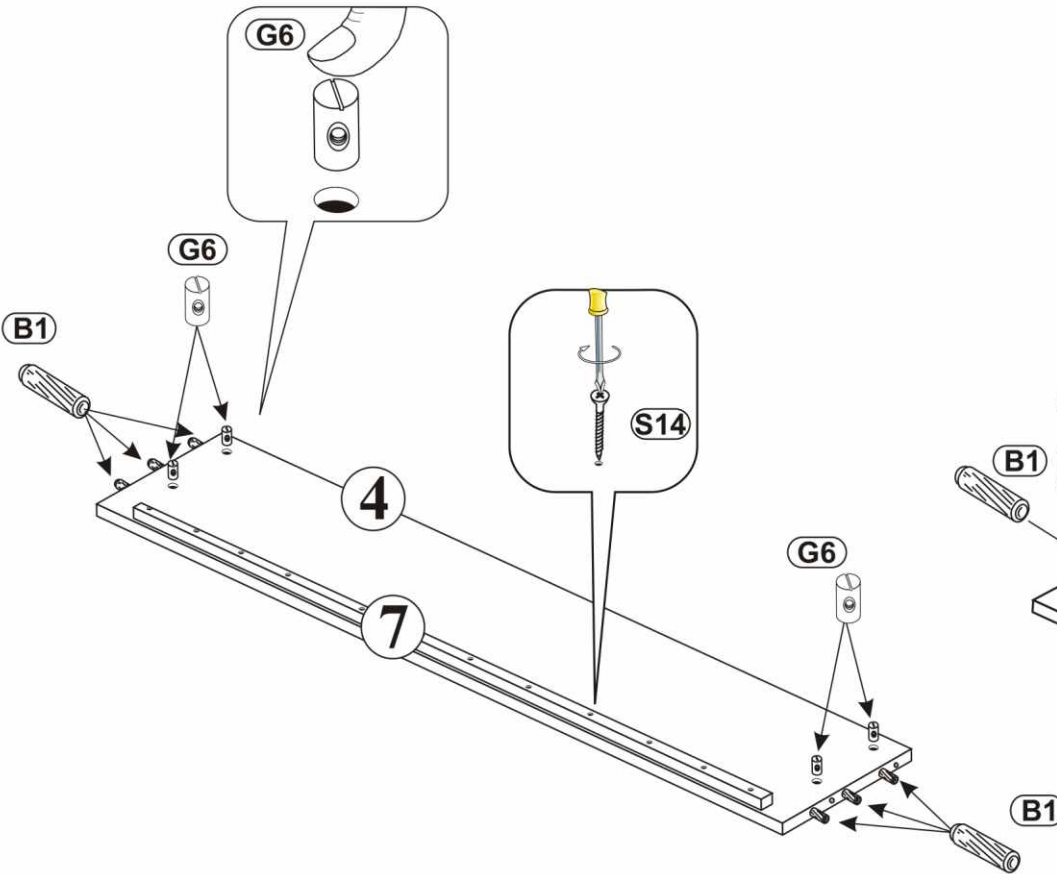
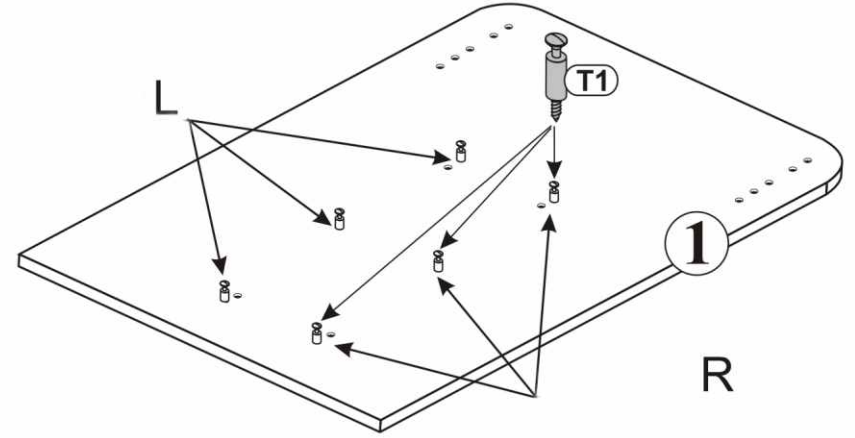
**option L**



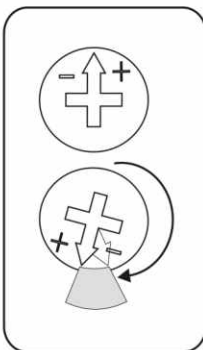
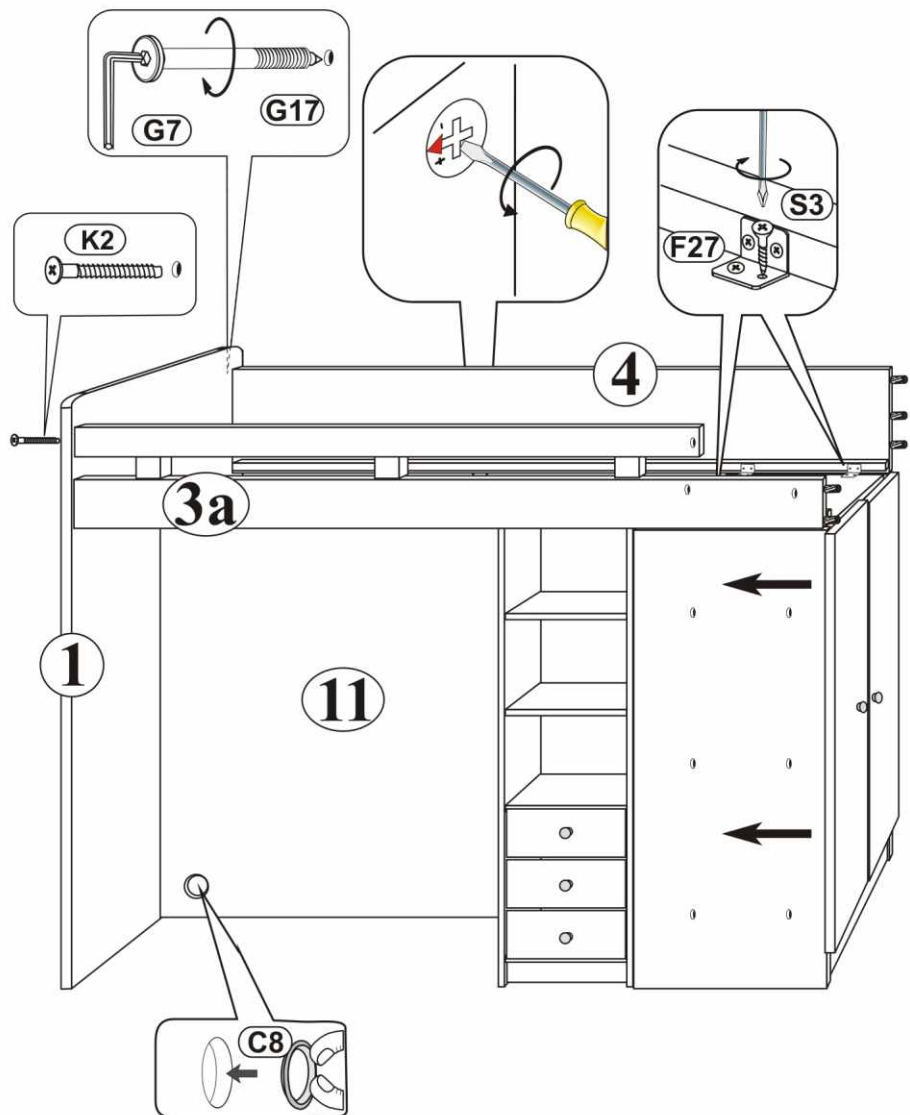
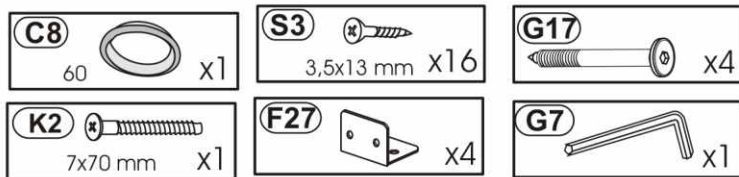


# 12

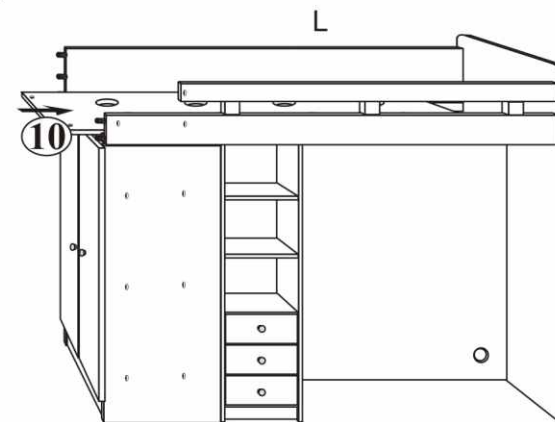
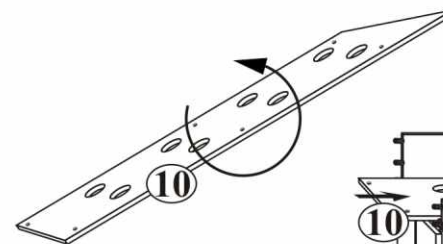
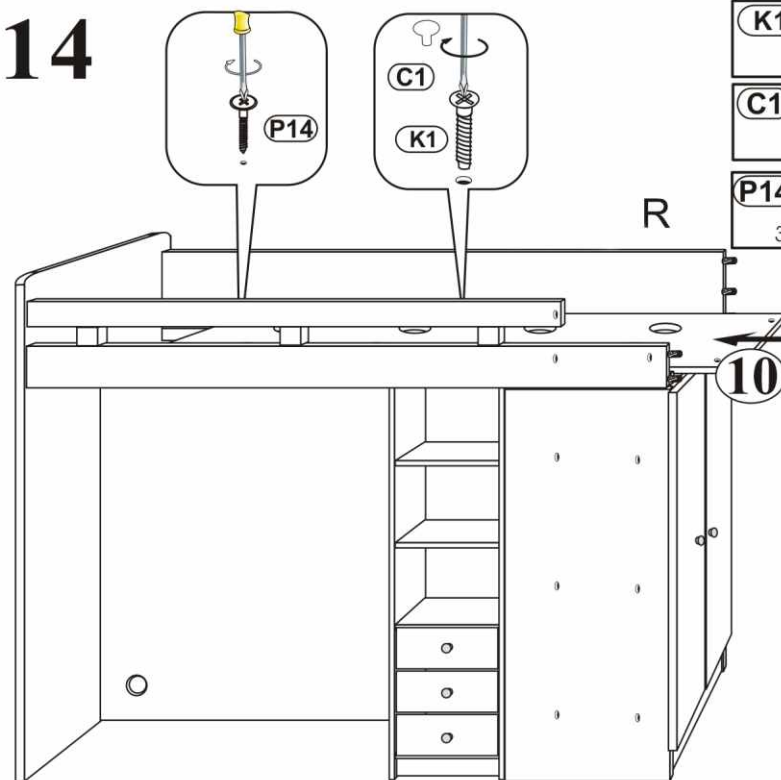
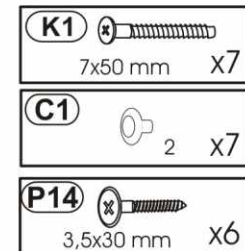
- G6**  x4
- M1**  x6
- S14**  4x40 mm x12
- B1**  8x28 mm x10
- T1**  x3



13



14





18

