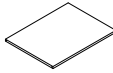
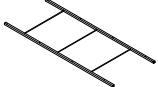
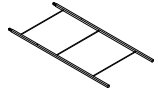
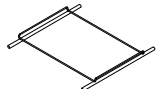


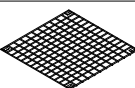
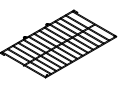
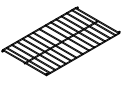
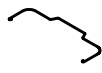
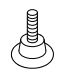
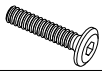


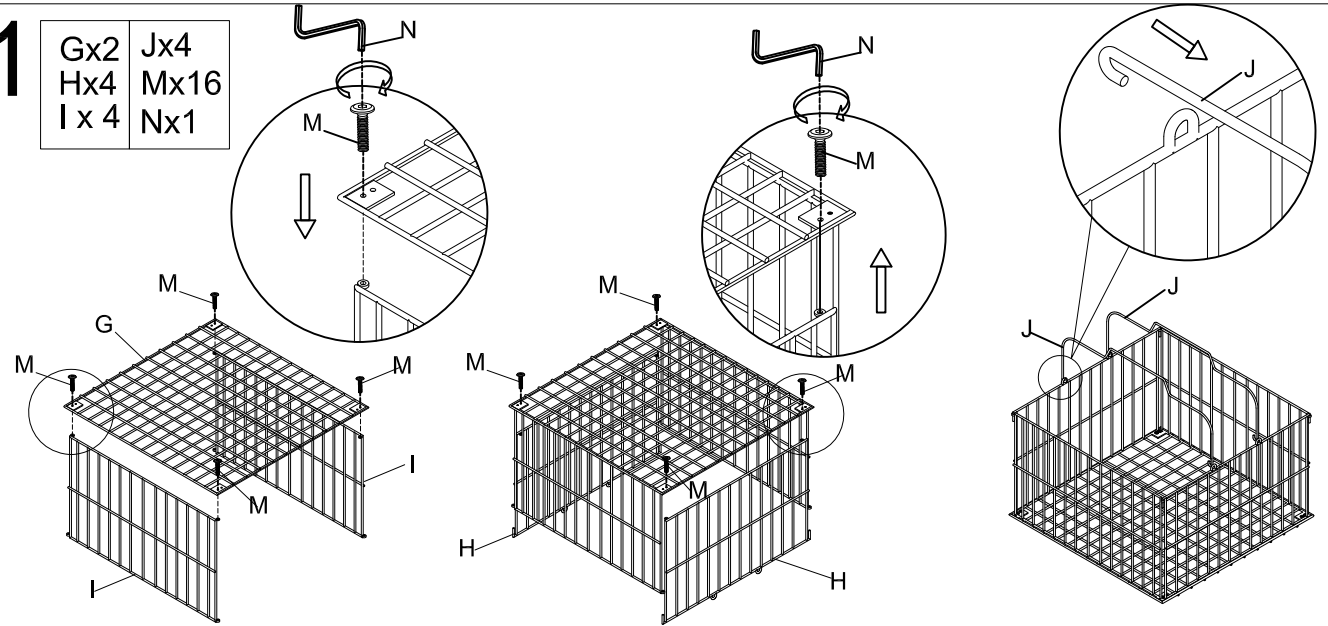


RATTO

A		5
B		2
C		2
D		2
E		1
F		1
G		2
H		4
I		4
J		4
K		4
L		28
M		25
N		1

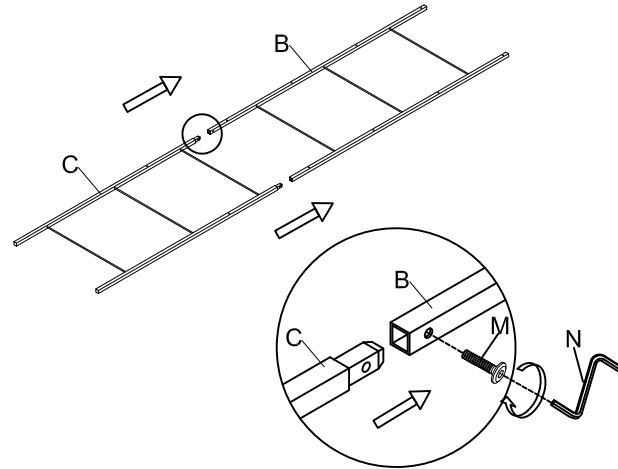
1

Gx2 Jx4
Hx4 Mx16
I x 4 Nx1



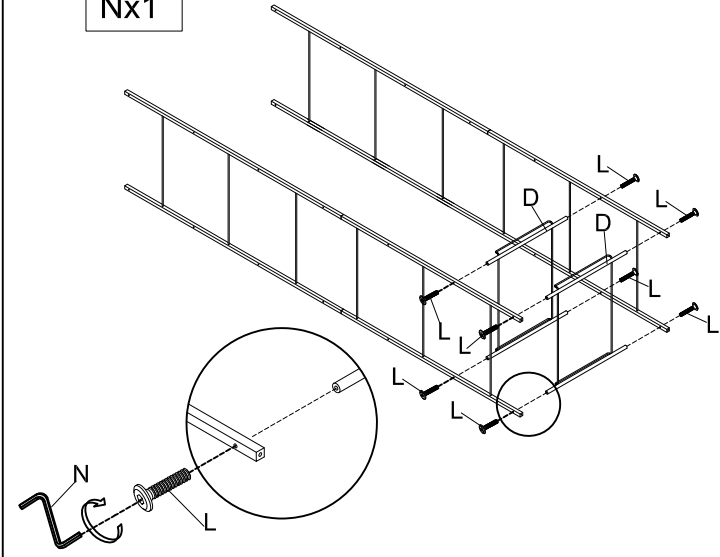
2

Bx2
Cx2
Mx2
Nx1



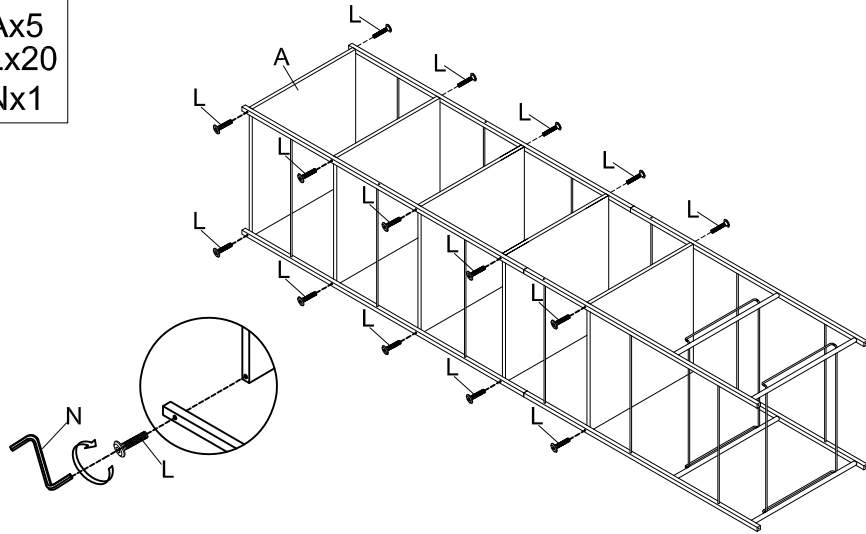
3

Dx2
Lx8
Nx1



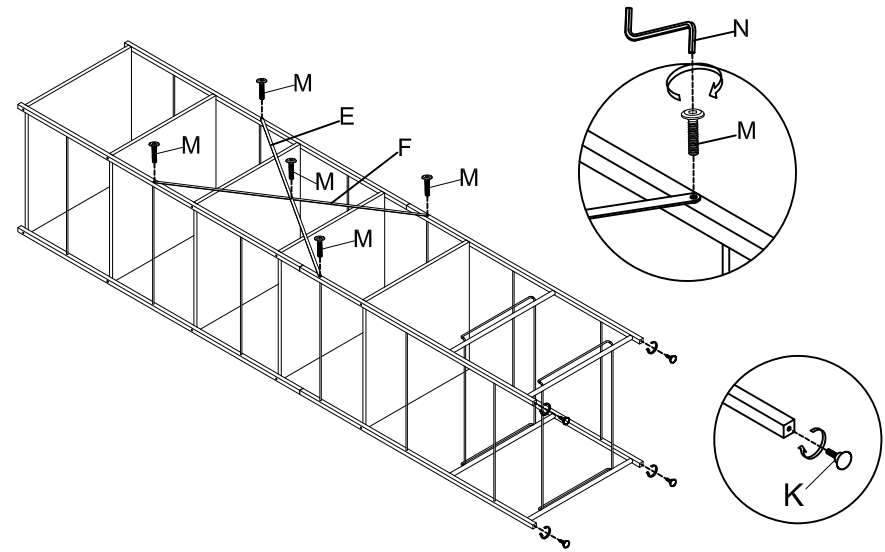
4

Ax5
Lx20
Nx1

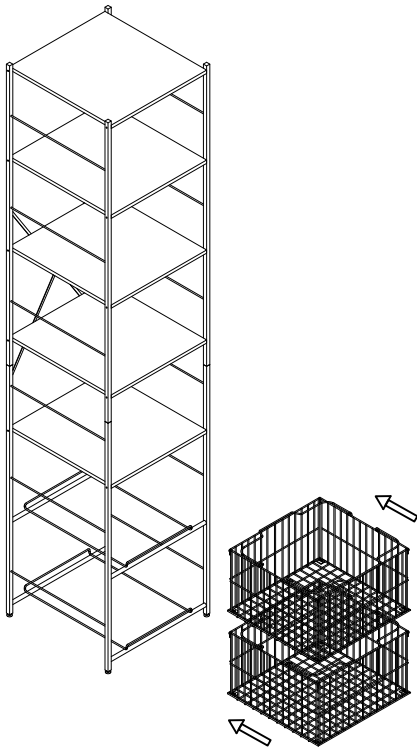


5

Ex1
Fx1
Kx4
Mx5
Nx1



6



7

