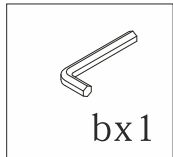
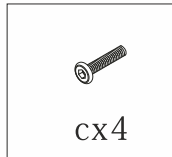


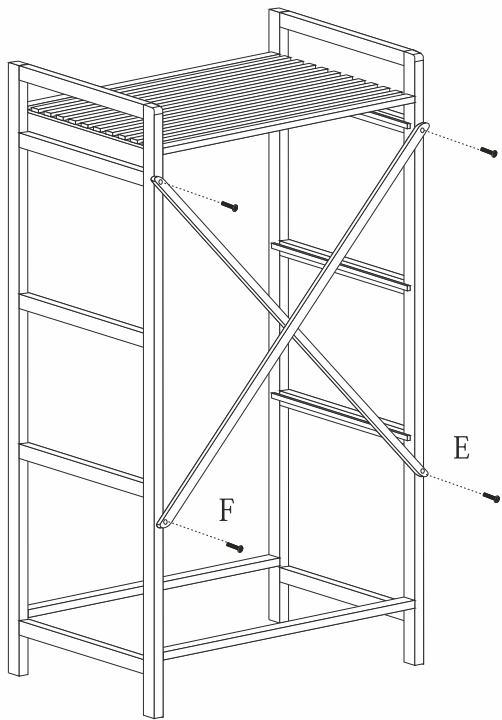
3



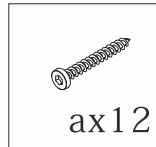
bx1



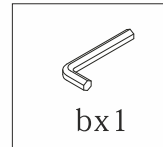
cx4



4

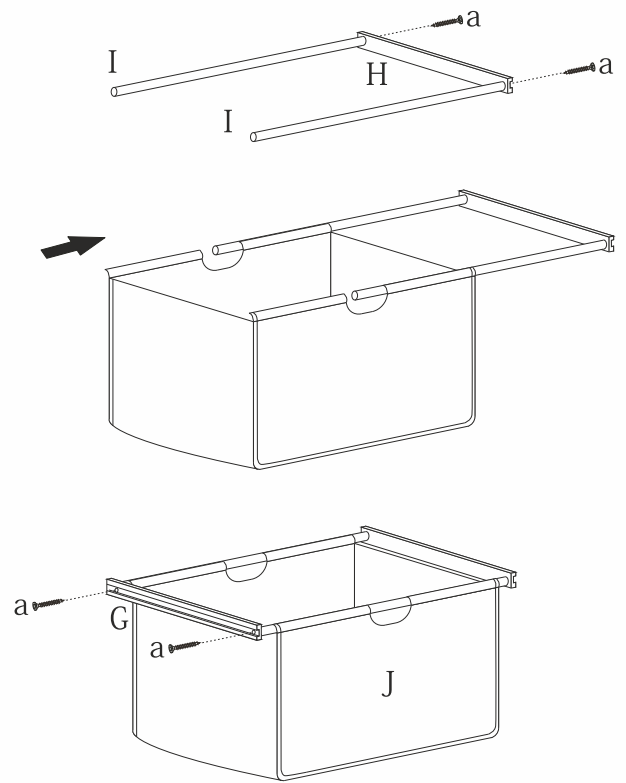


ax12

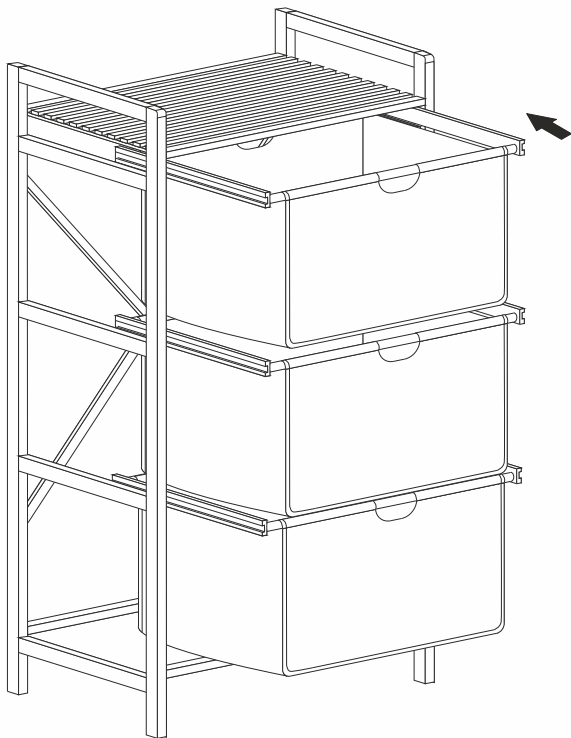


bx1

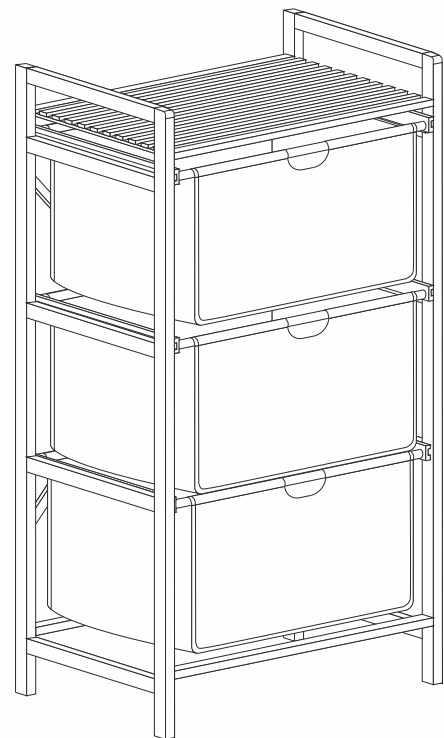
x3



5



6



5kg