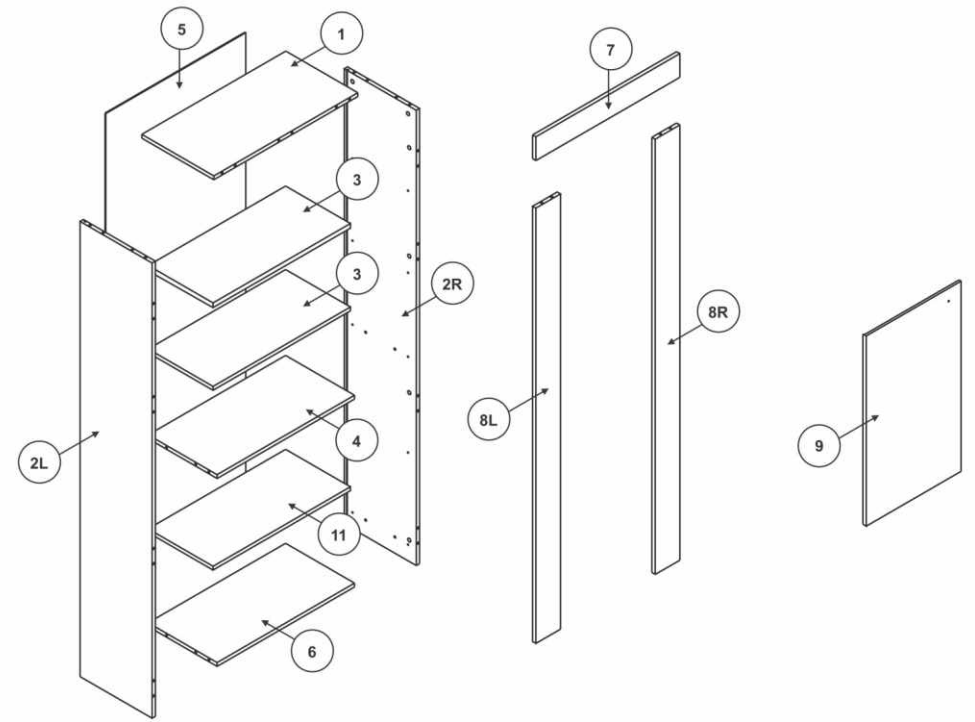
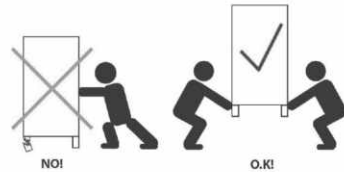
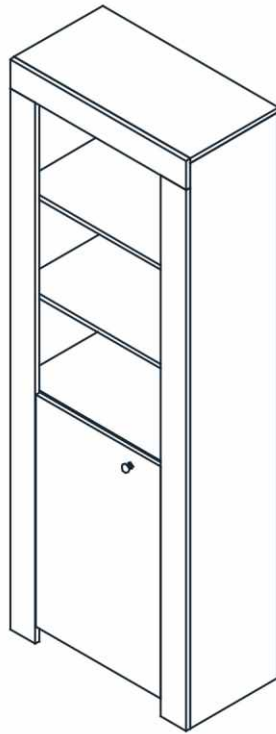


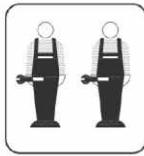
# VINCE

## RP 70



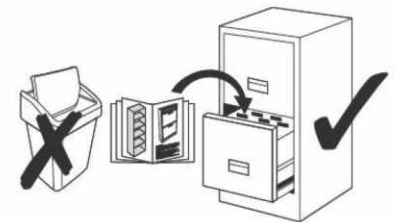
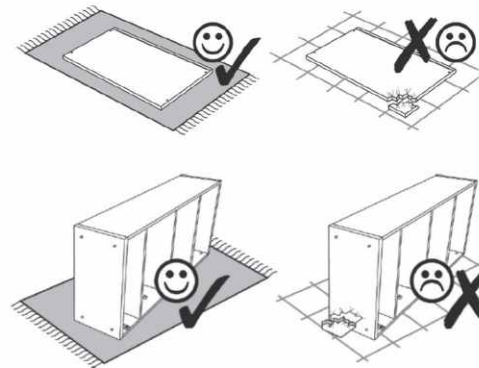
A 8x32 x27	B x23	C x23	Z x23	N 3x20 x8	NA 4x13 x5	H 6,3x13 x4	P x2
TA x1	TB x1	ZB x12	W x4	X x10	YA M4x22 x1	O x1	R x2

03-12-2018

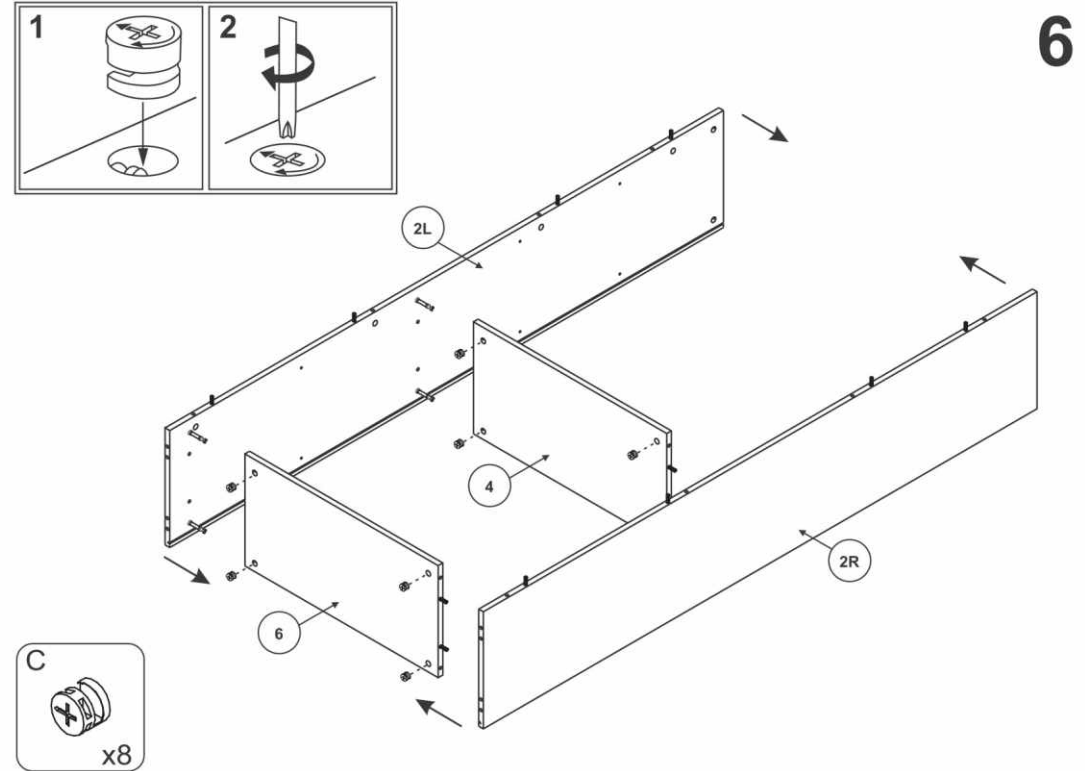
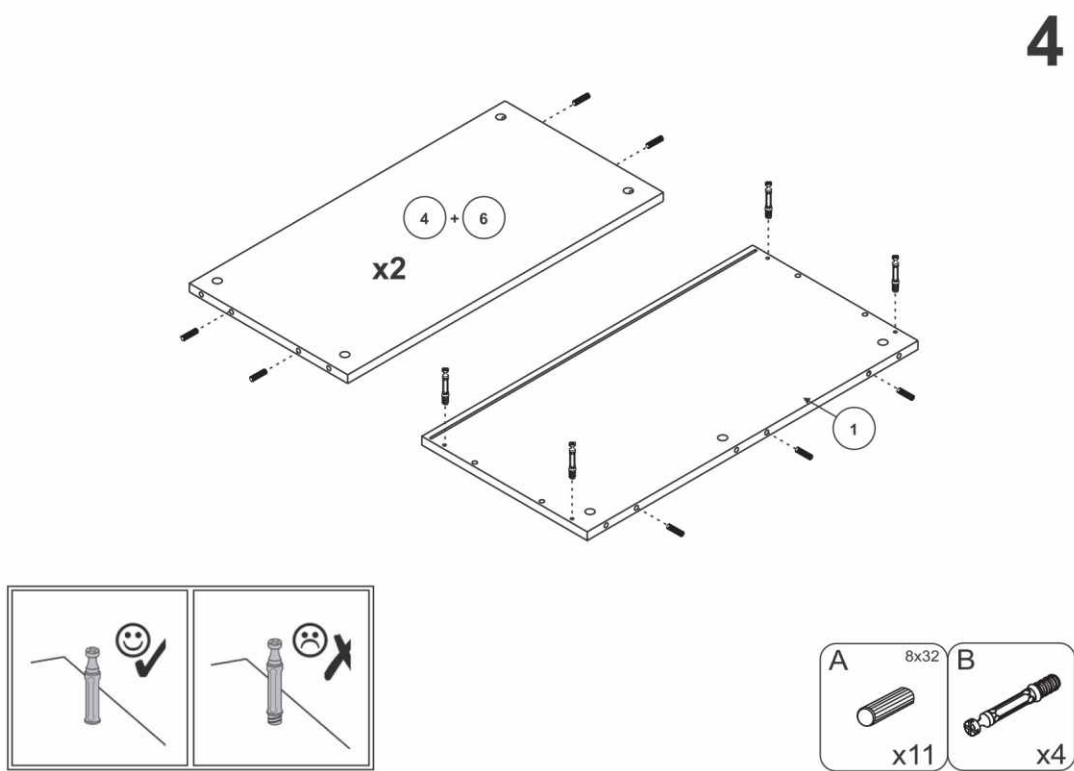
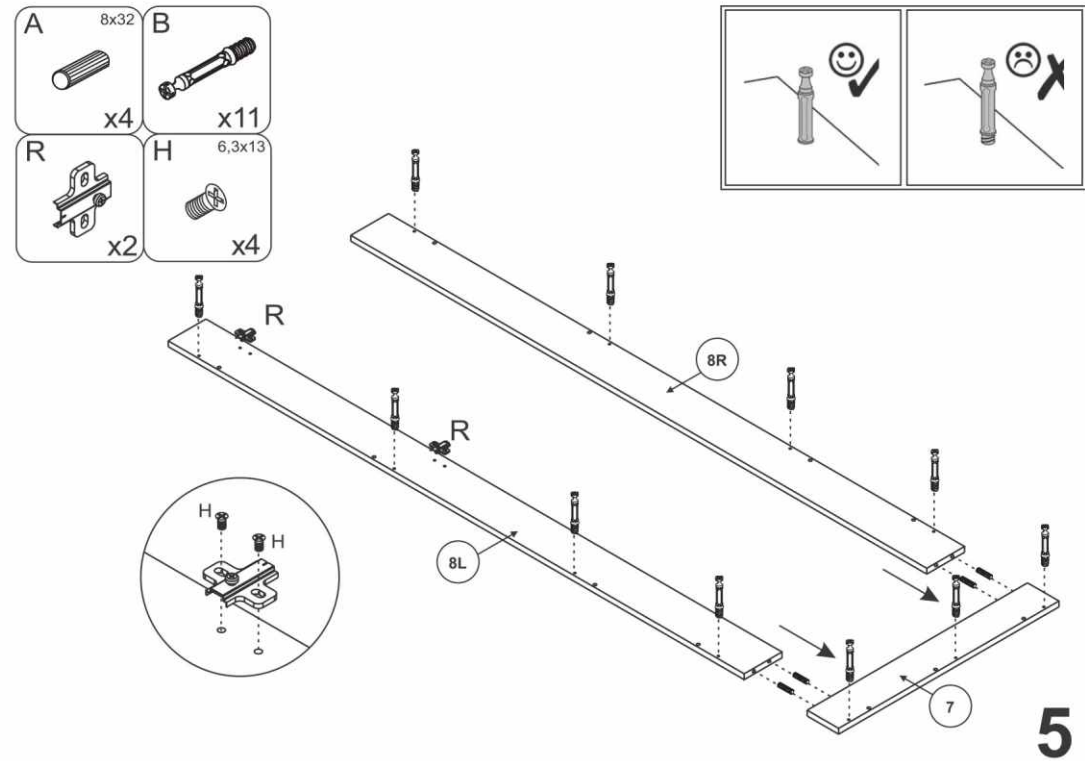
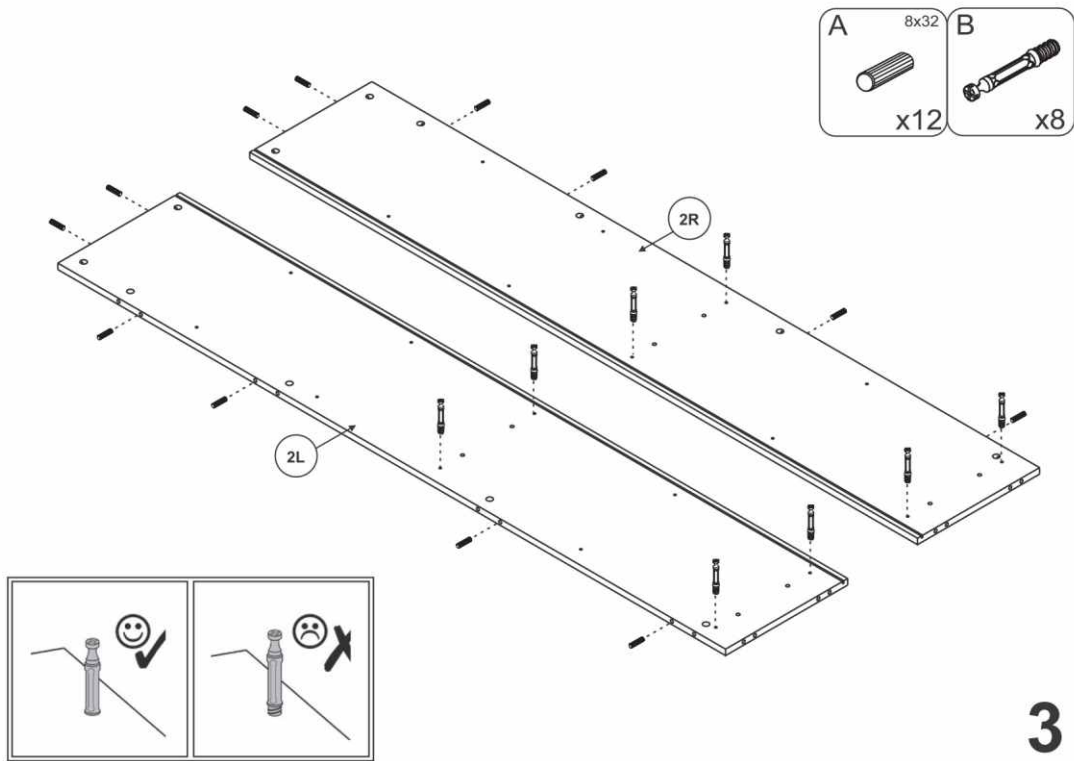


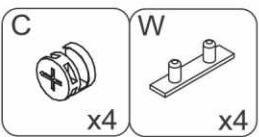
1,5 - 2

1

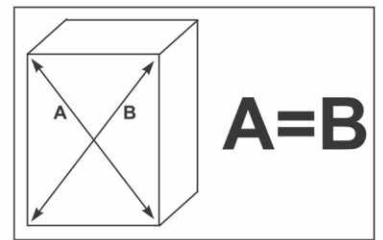
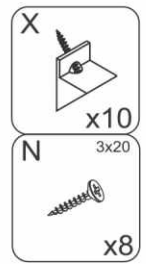
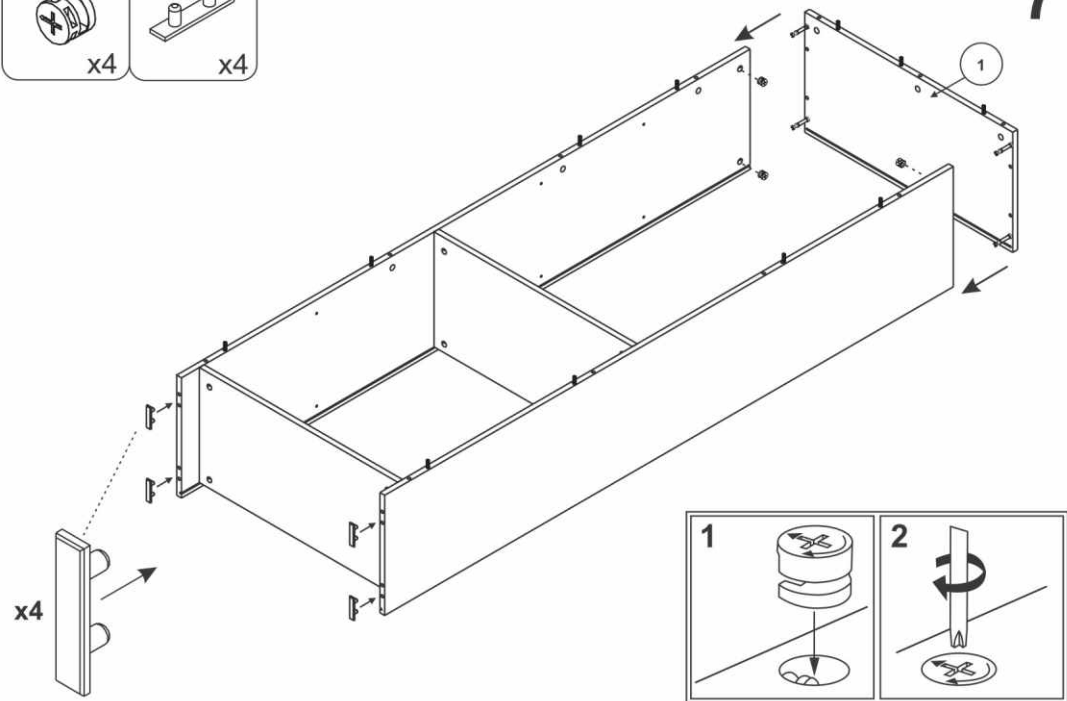


2

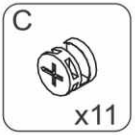
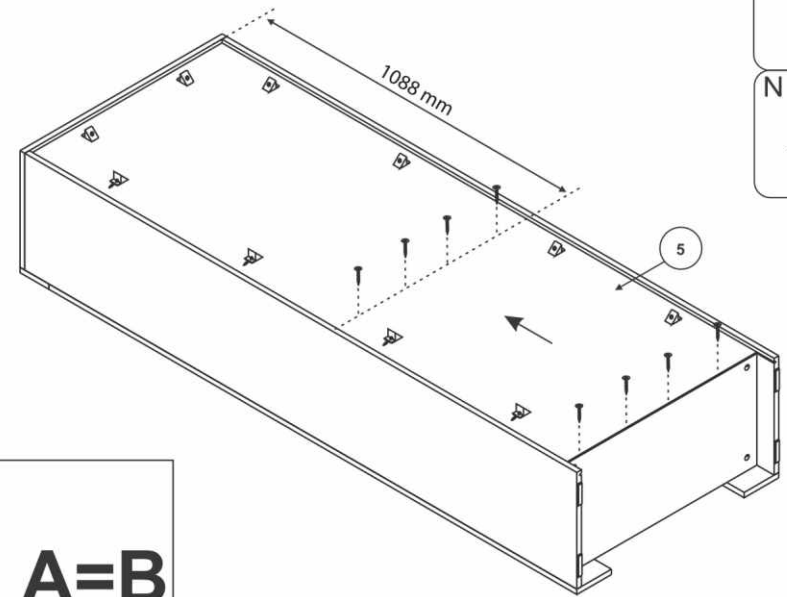




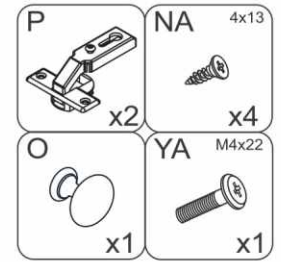
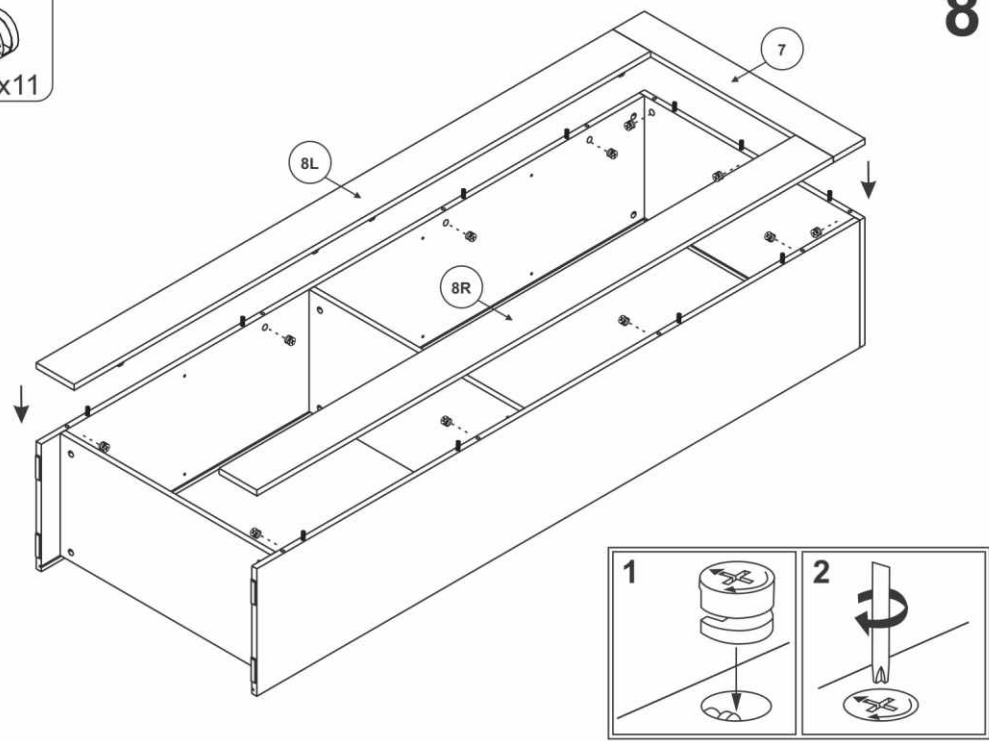
7



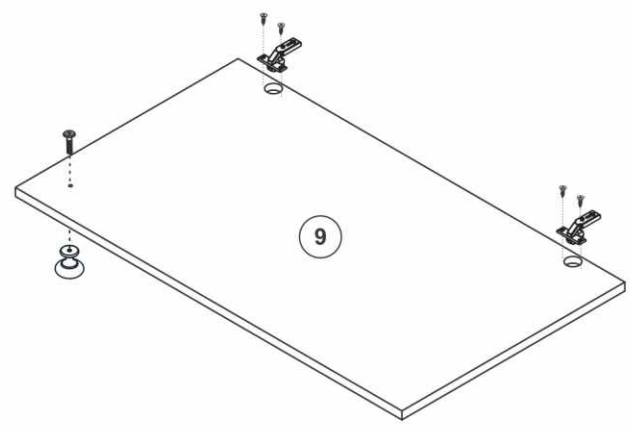
9



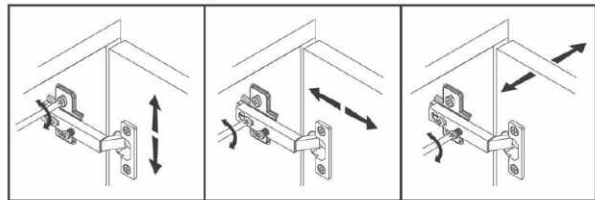
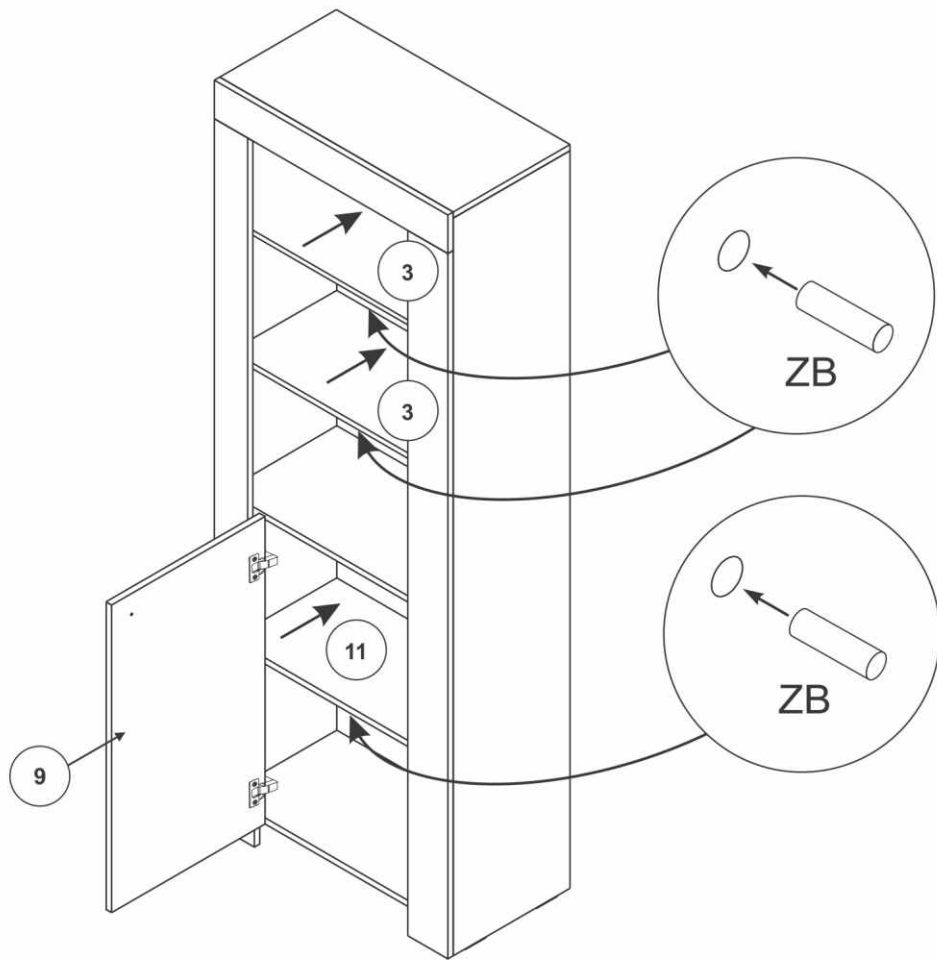
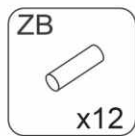
8



10



# 11



# 12

