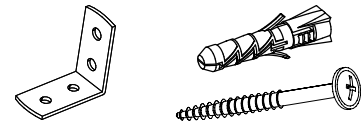
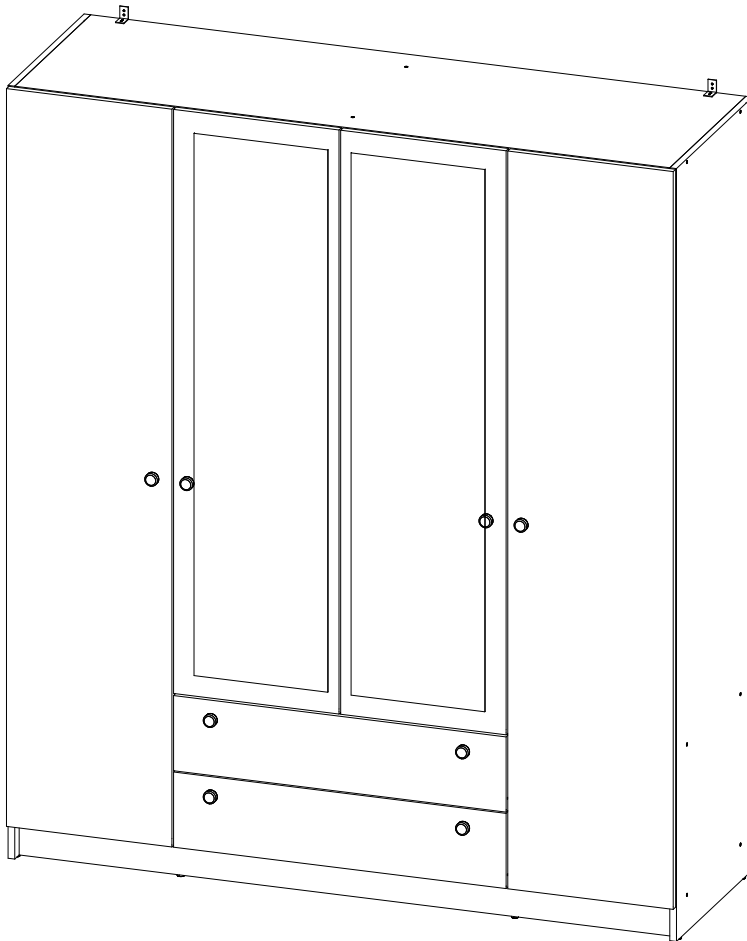
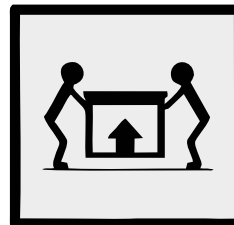


1602x516x1850 mm

ASSEMBLY INSTRUCTION



The dowel and the wall mounting angle are not included.
Purchase separately.



NOTE!

For all questions and complaints about this product, please contact the place of purchase of this product.



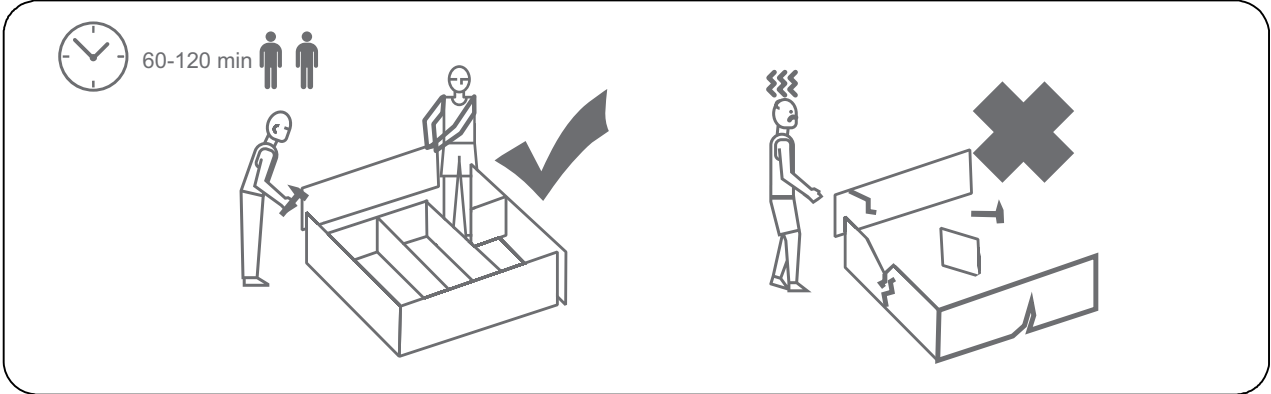
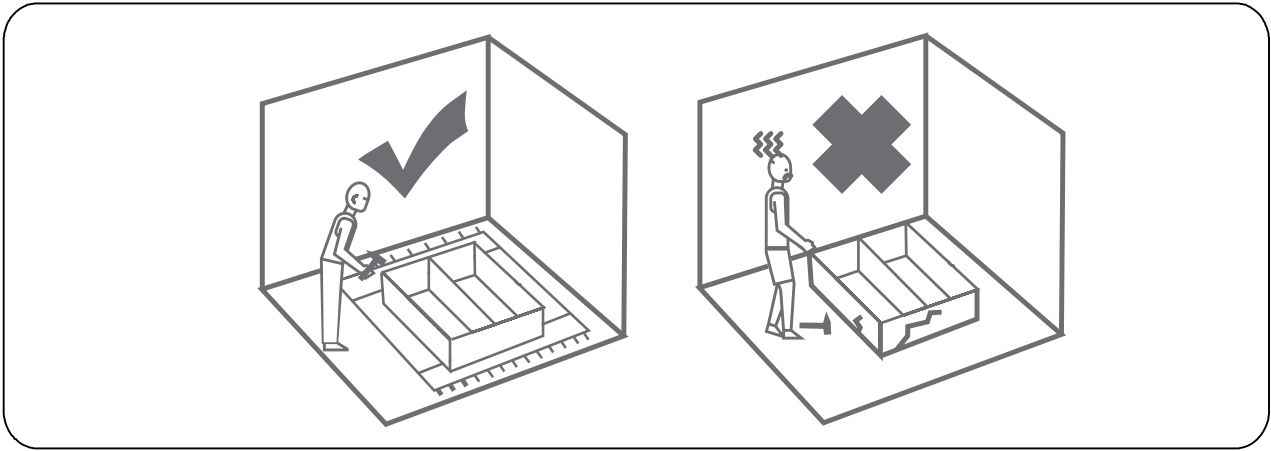
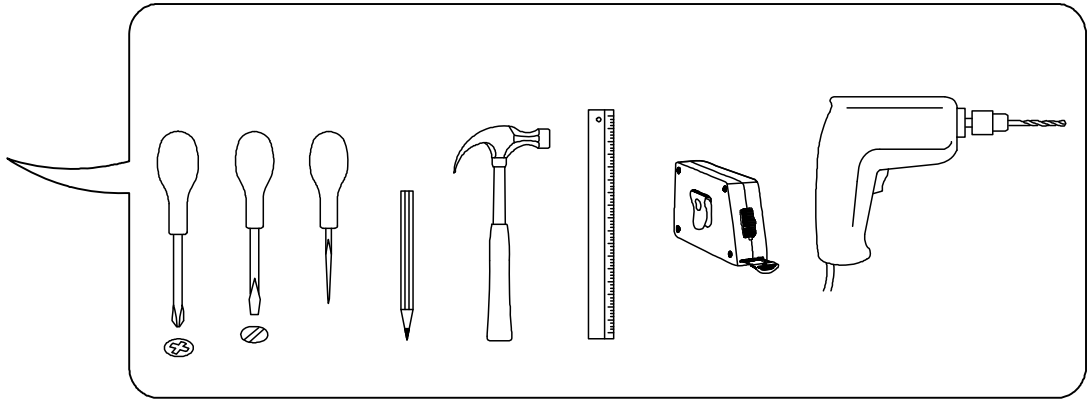
RULES FOR USE AND CARE OF FURNITURE

1. Use furniture only in dry rooms protected from the effects of weather conditions.
2. Install with suitable tools according to these assembly instructions.
3. Try to assemble as close to the location as possible.
4. The body is assembling in a horizontal position.
5. Before moving furniture, make sure that it is not loaded with items.

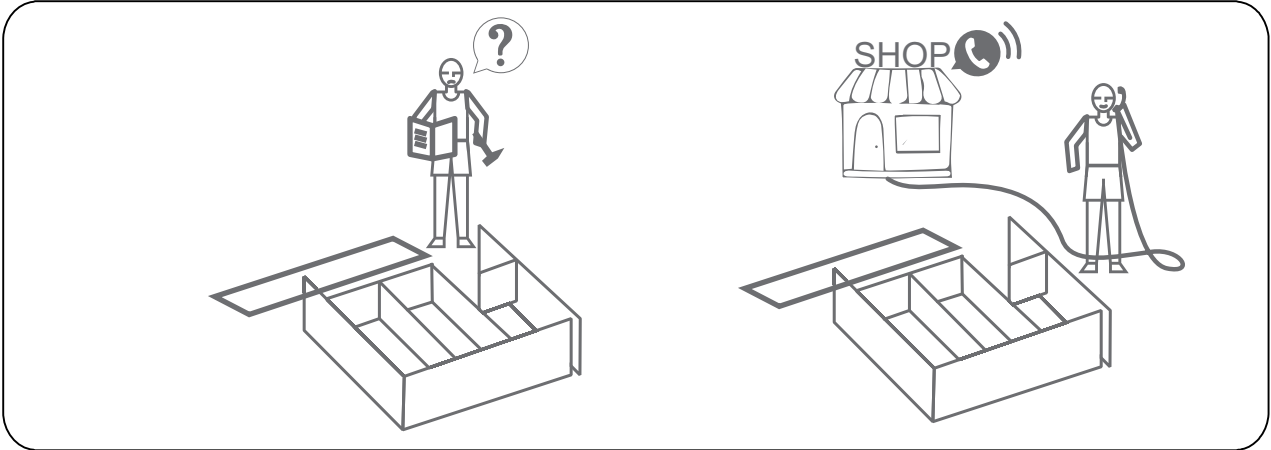
Caution: moving furniture may damage it.

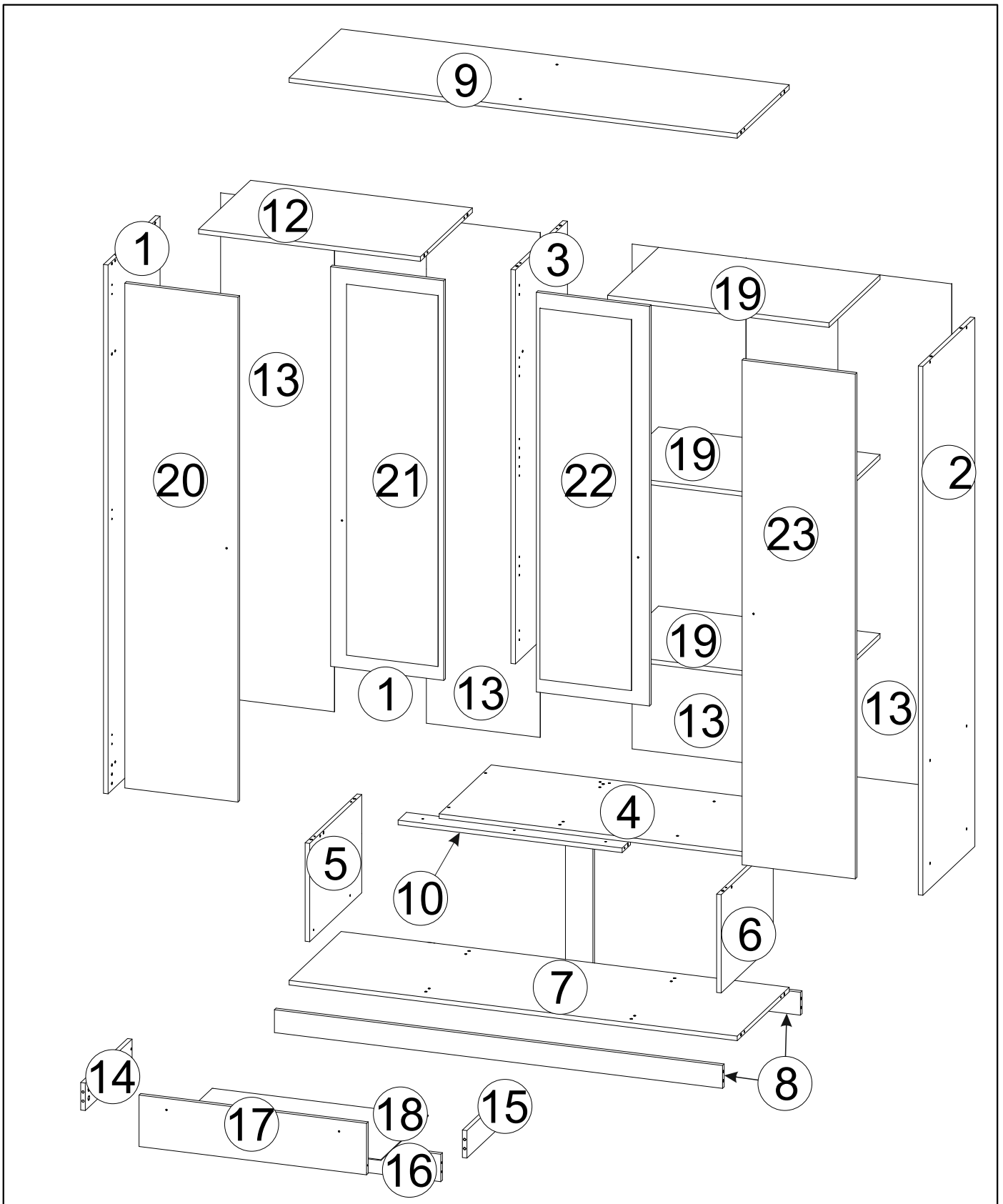
When moving, hold on to vertical elements only; moving furniture by horizontal parts can break the product.


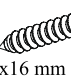

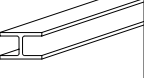


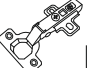


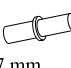

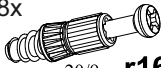





6. Overloading the furniture can damage it.
7. From time to time check the fittings and their correct position.
8. Wipe the furniture surface only with a slightly damp cloth or paper towels. Do not use chemical cleaning agents other than those specifically made for this.

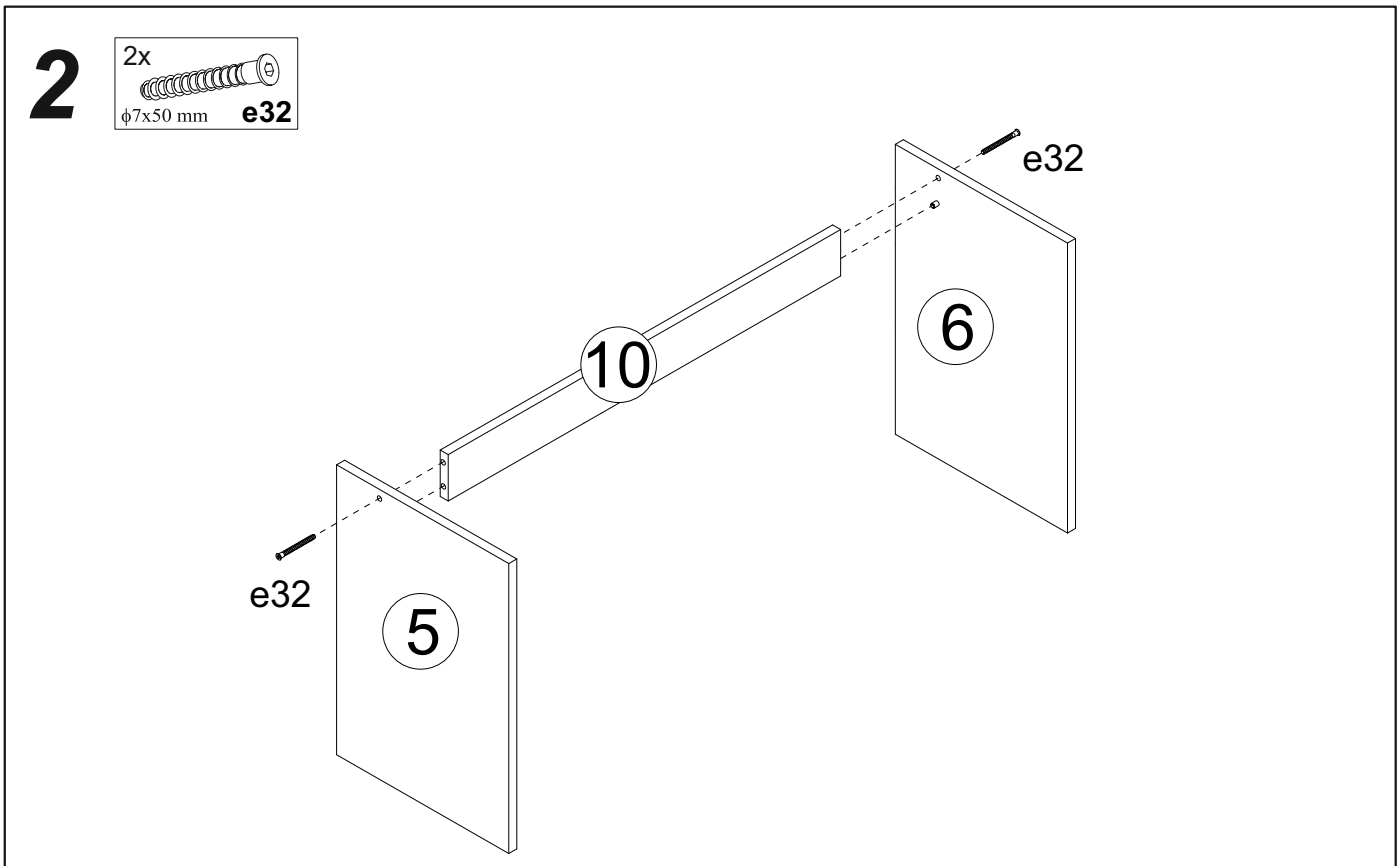
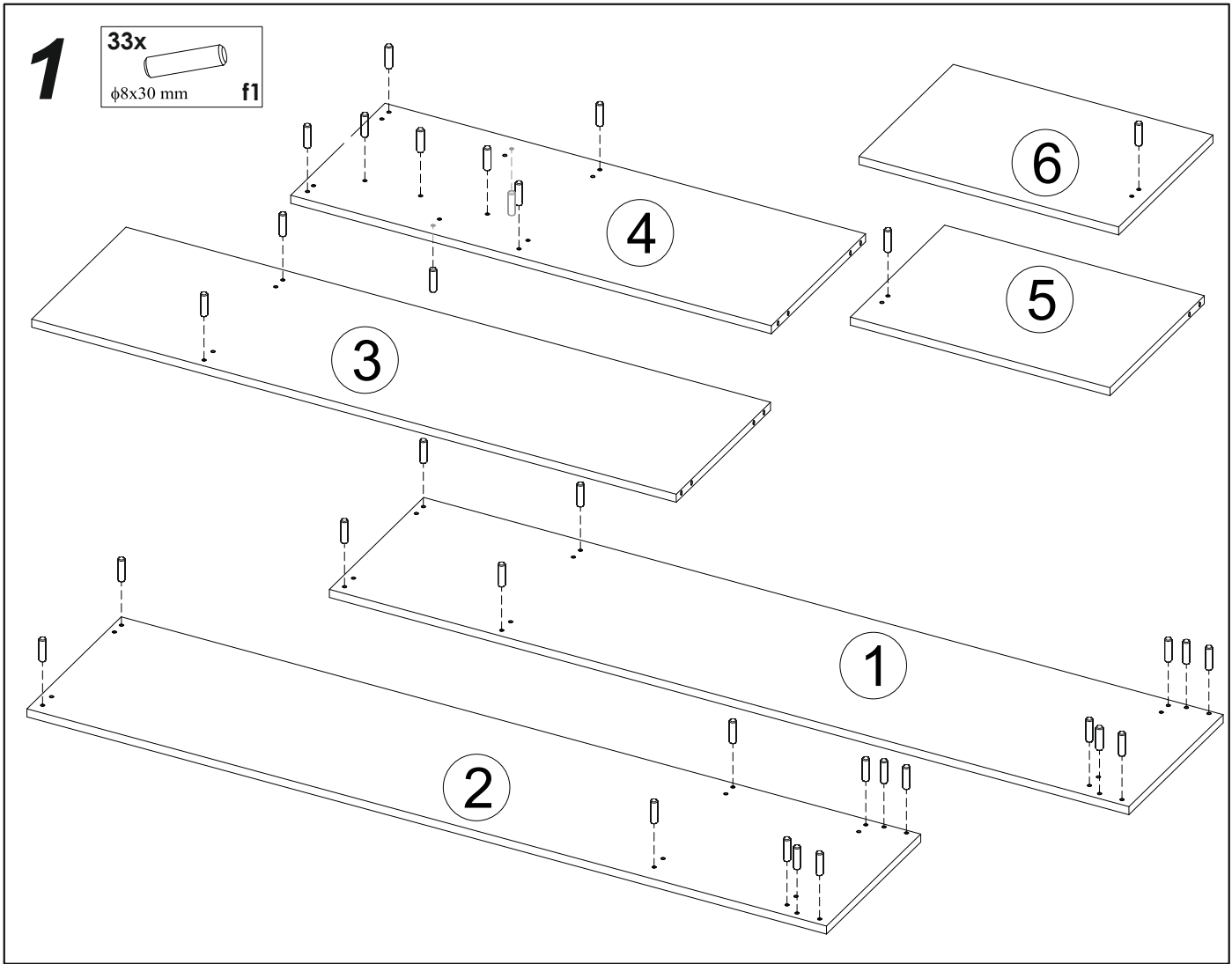


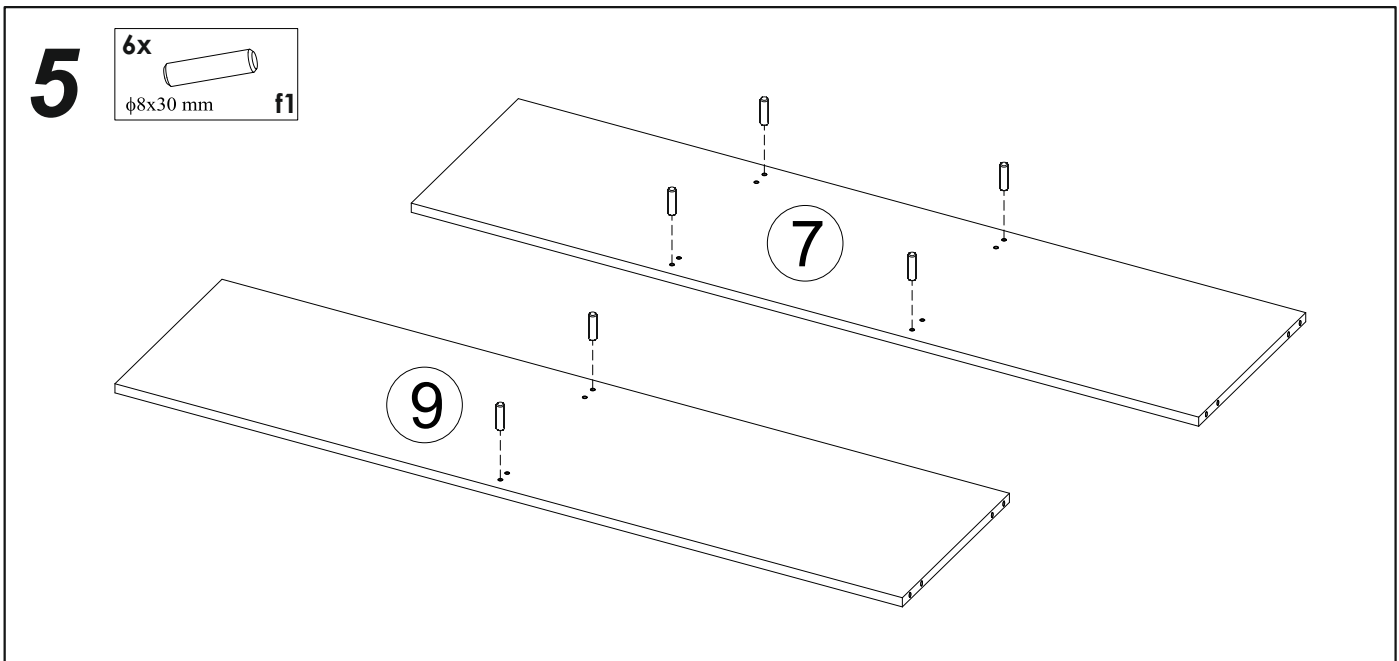
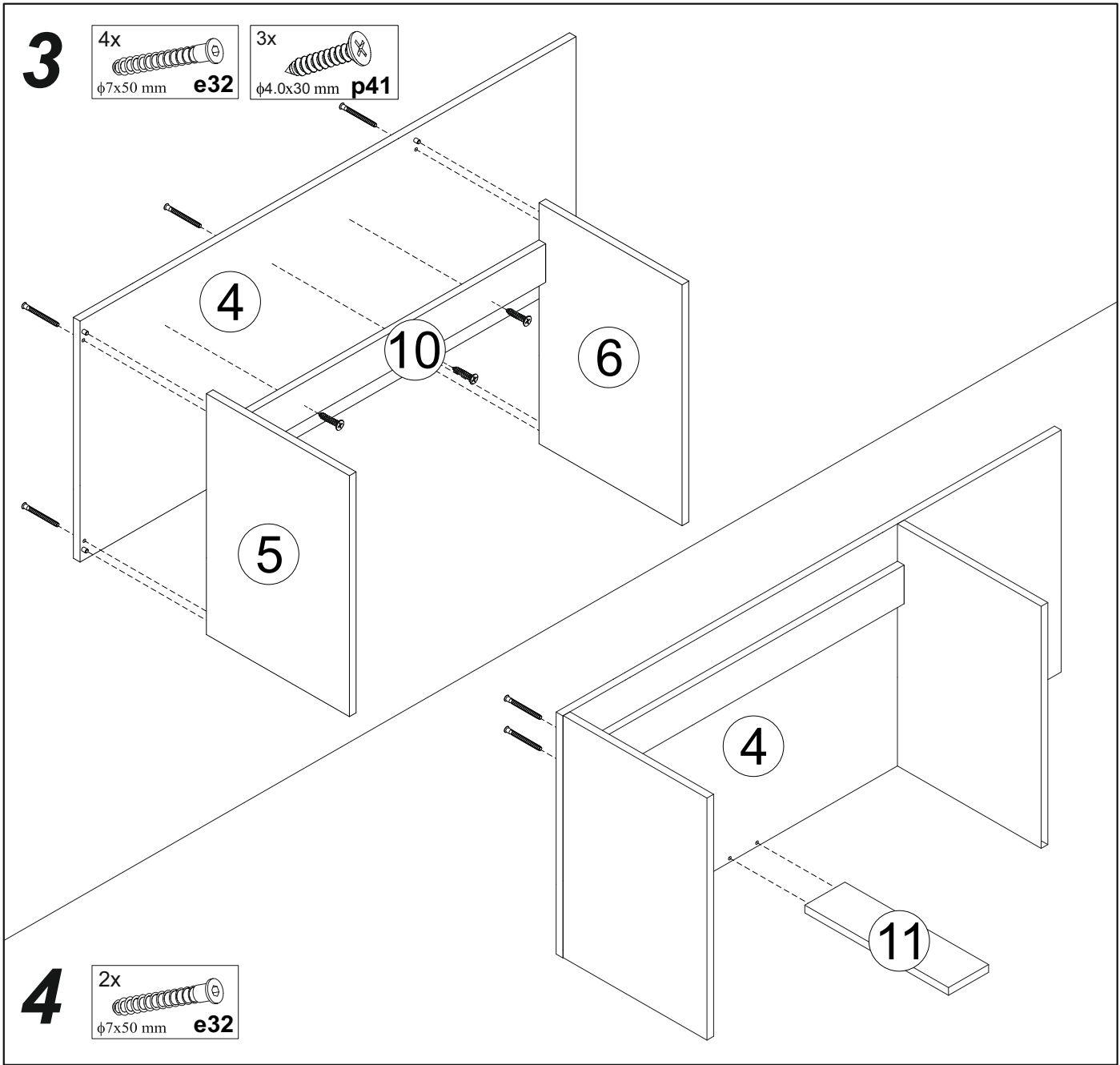
60-120 min





| | | | | | |
|--|--|---|---|--|---|
| 36 φ8x30 mm f1 | 4x  c3 | 59x  φ3,5x16 mm p38 | 40x  φ7x50 mm e32 | 3x  |  l1 |
| 11x  | 12x  D | 8x  k1 | 2x  | 12x  φ5x17 mm | 8x  φ15x12mm #16 r1 |
| 8x  20/9 r16 | 4x  15x10x14mm c14 | 8x  D1 | 11x  φ4.0x30 mm p41 | 20x  φ6x13 mm e3 | 12x  φ6,4 x 8 mm e4 |





6

4x

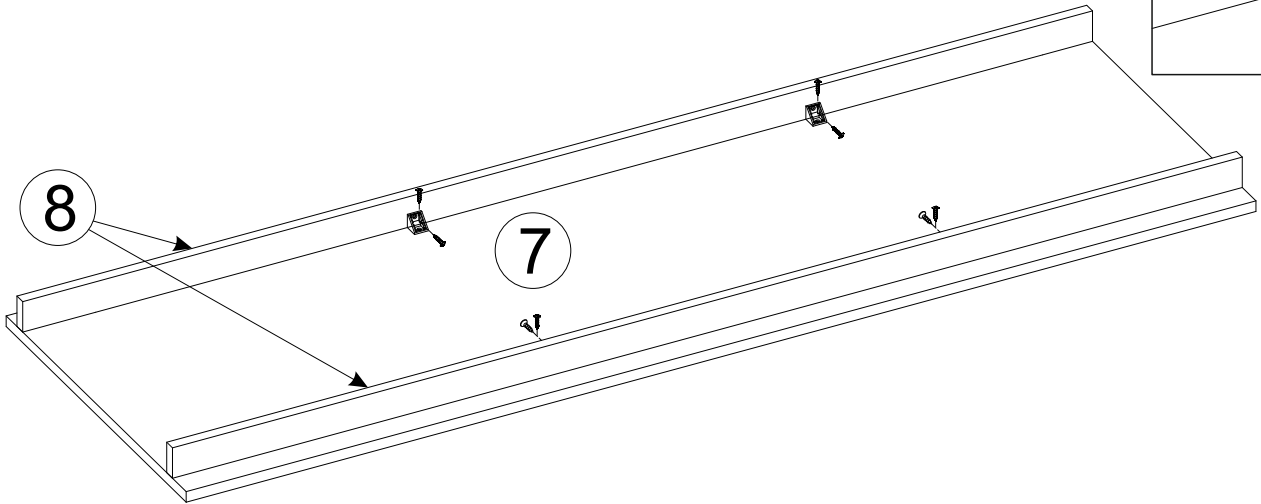
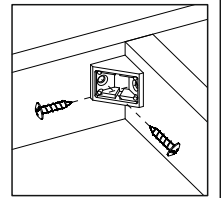


c3

8x

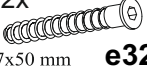


$\phi 3,5 \times 16 \text{ mm}$ p38

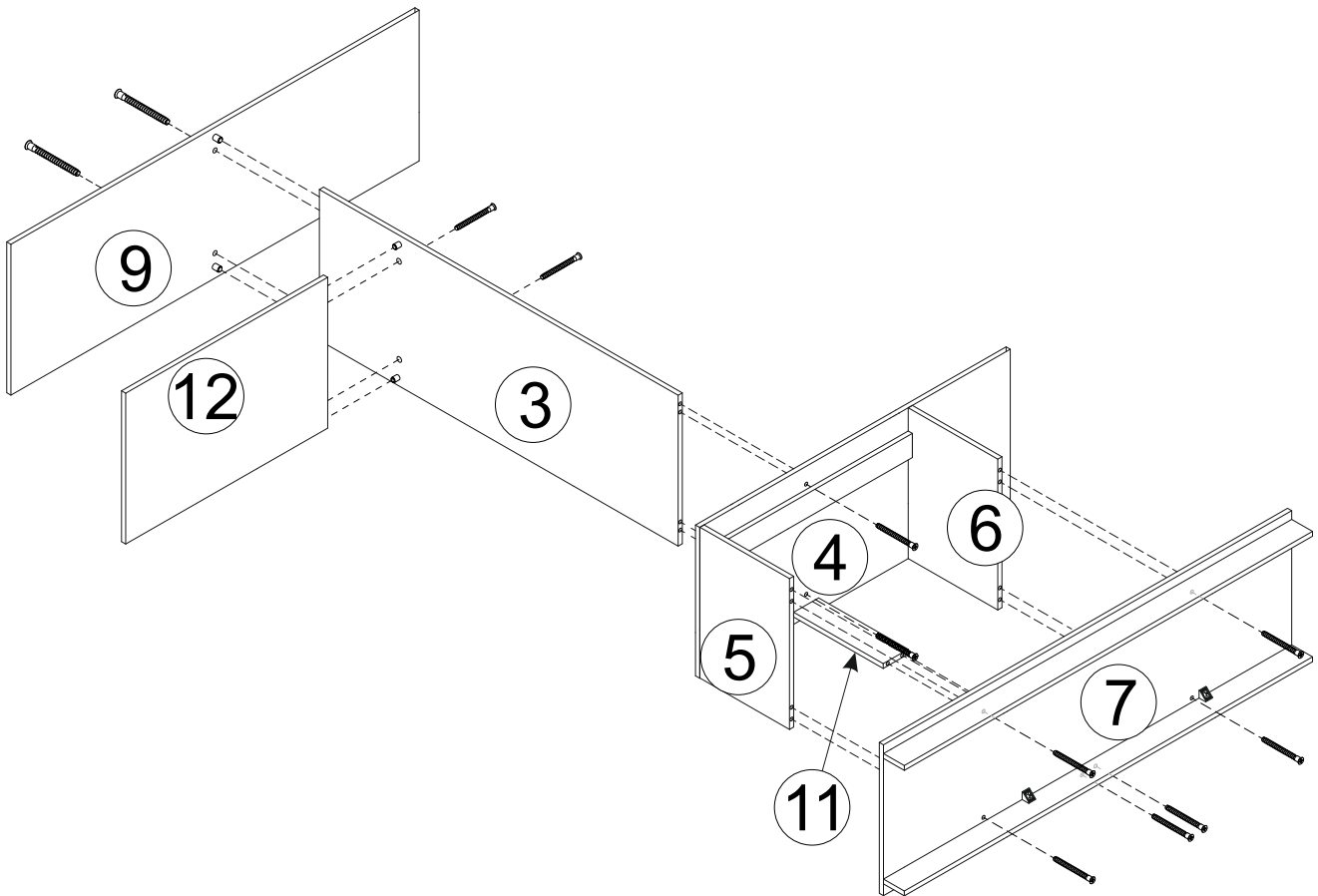


7

12x



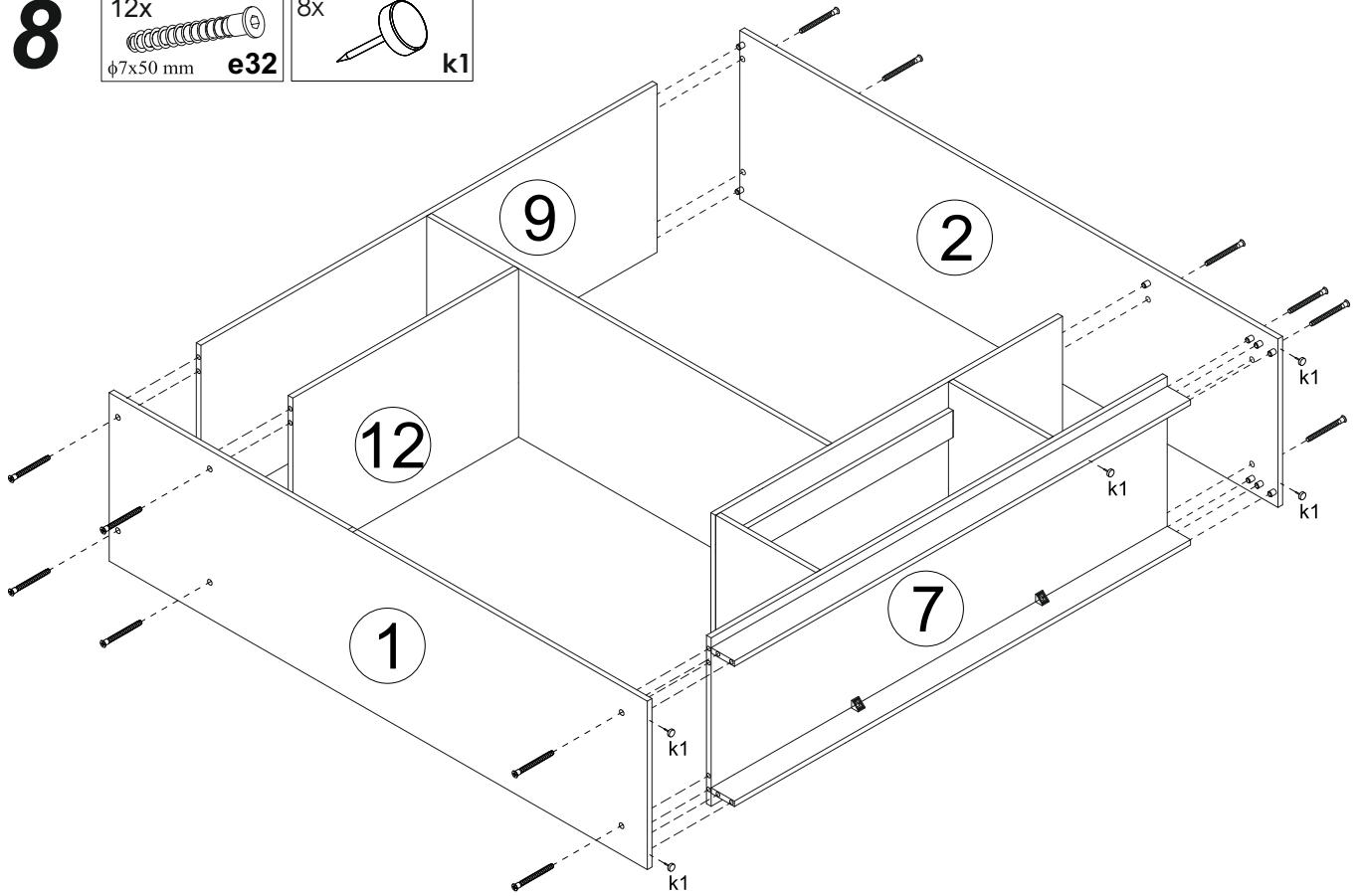
$\phi 7 \times 50 \text{ mm}$ e32



8

12x
φ7x50 mm e32

8x
k1



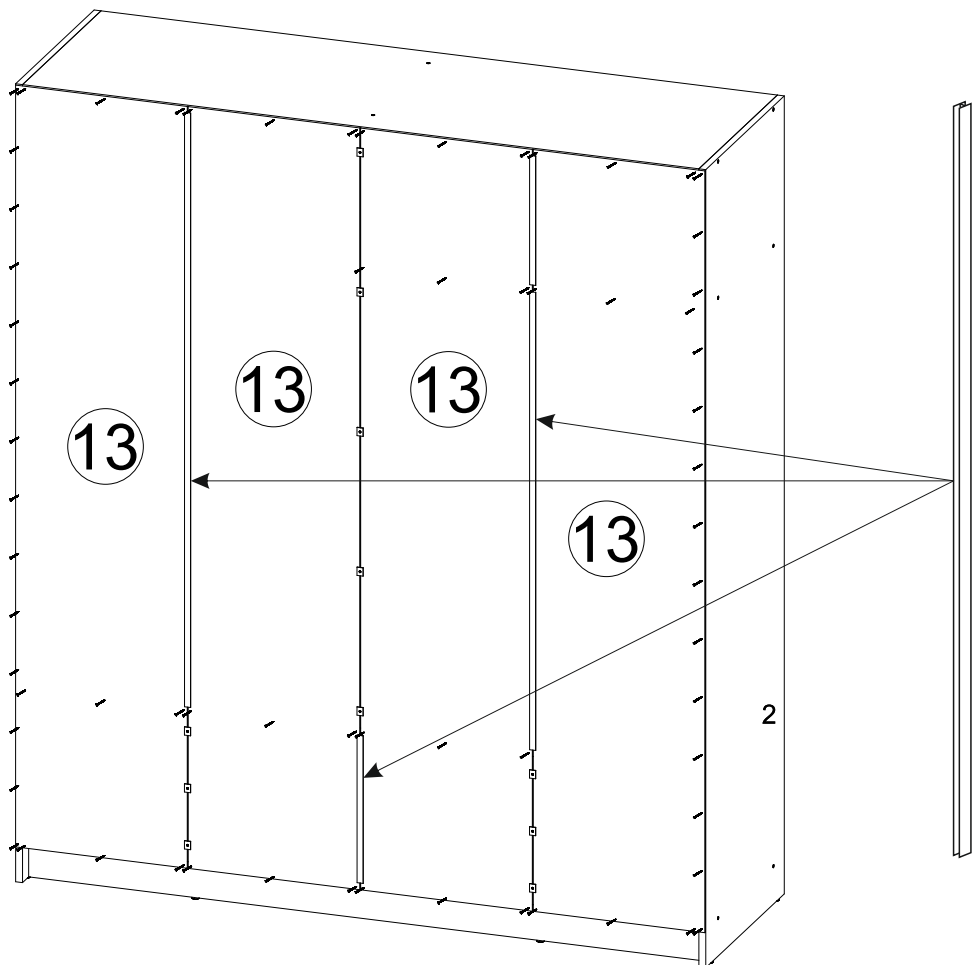
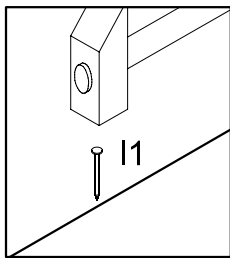
9

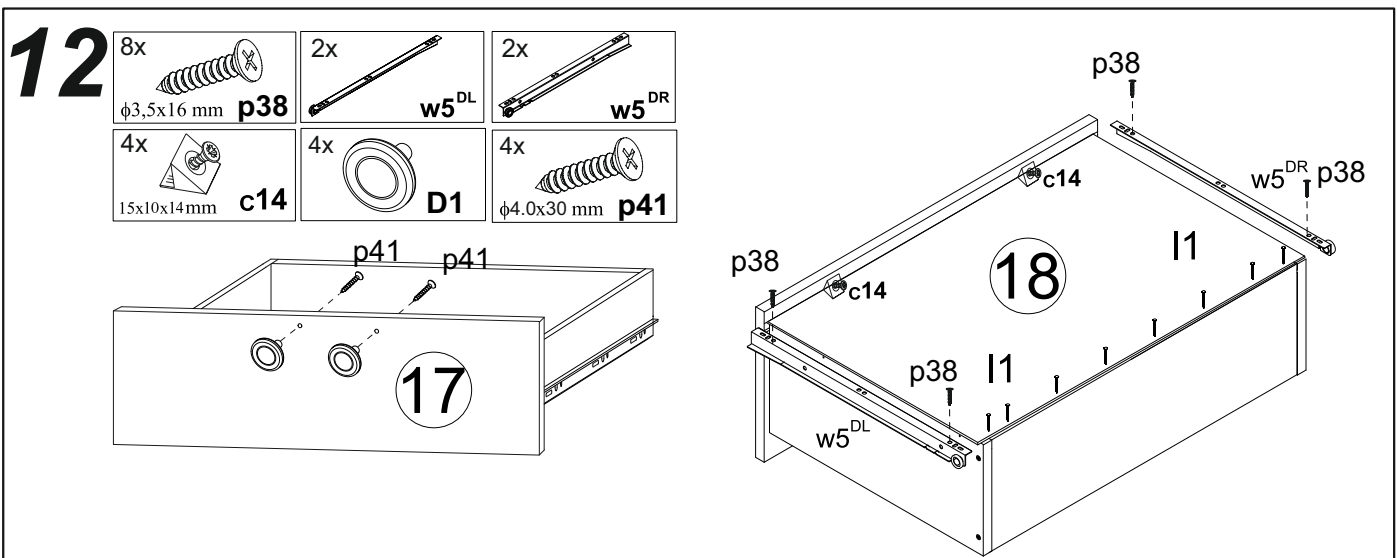
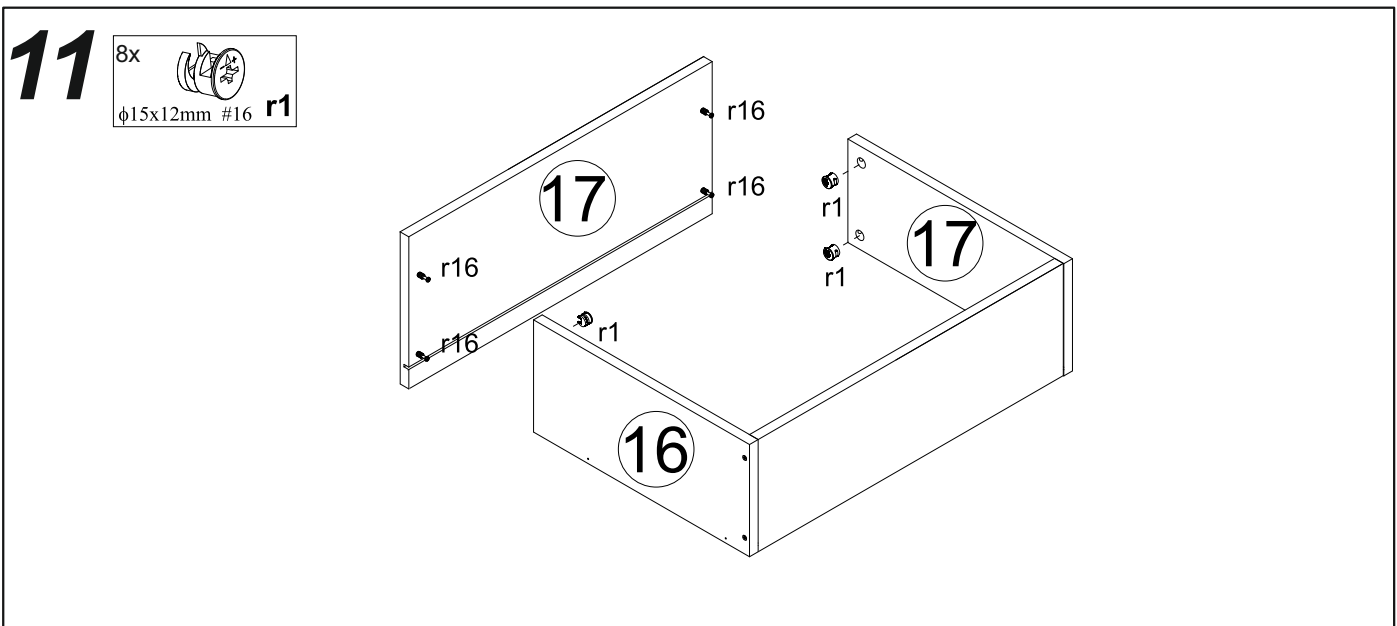
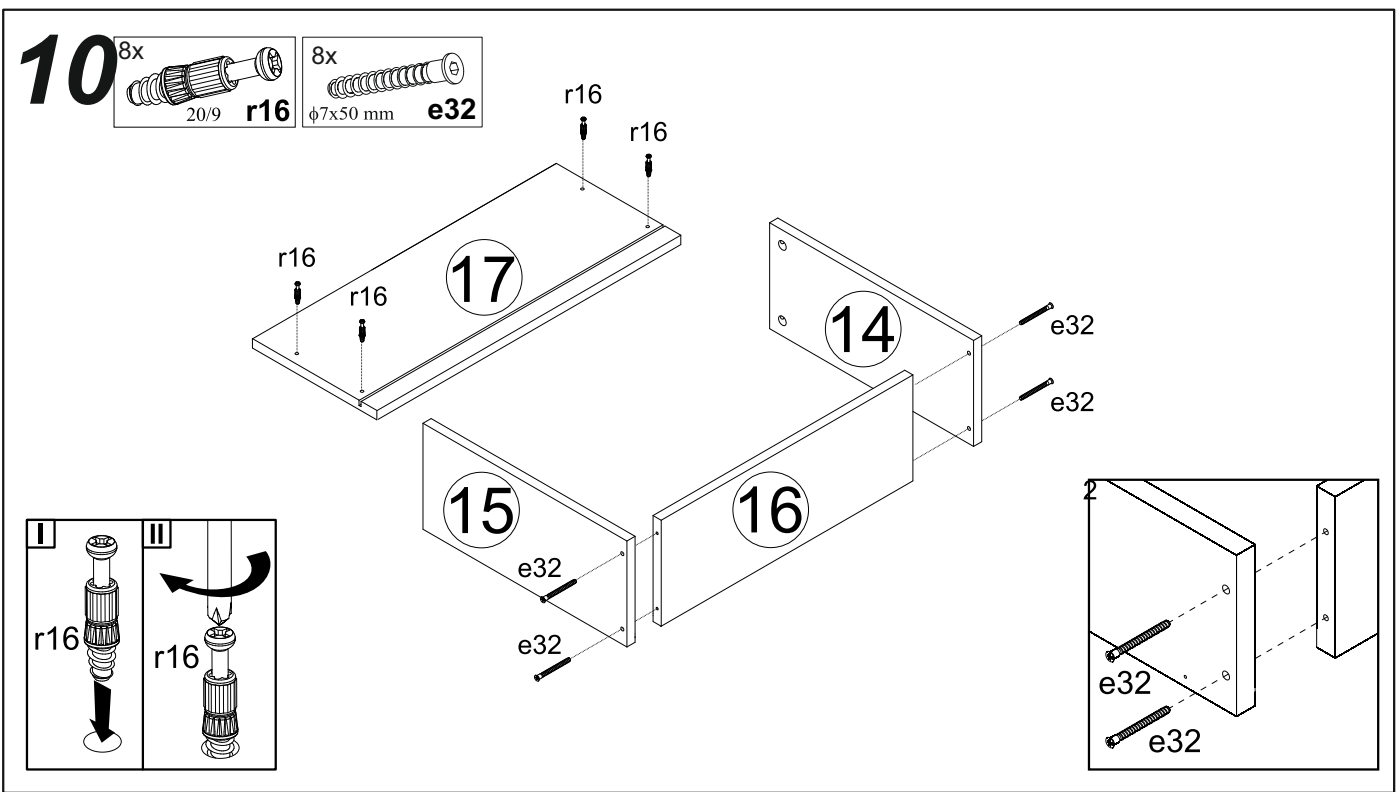
3x

11x

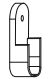
11x
φ3,5x16 mm p38

l1

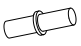


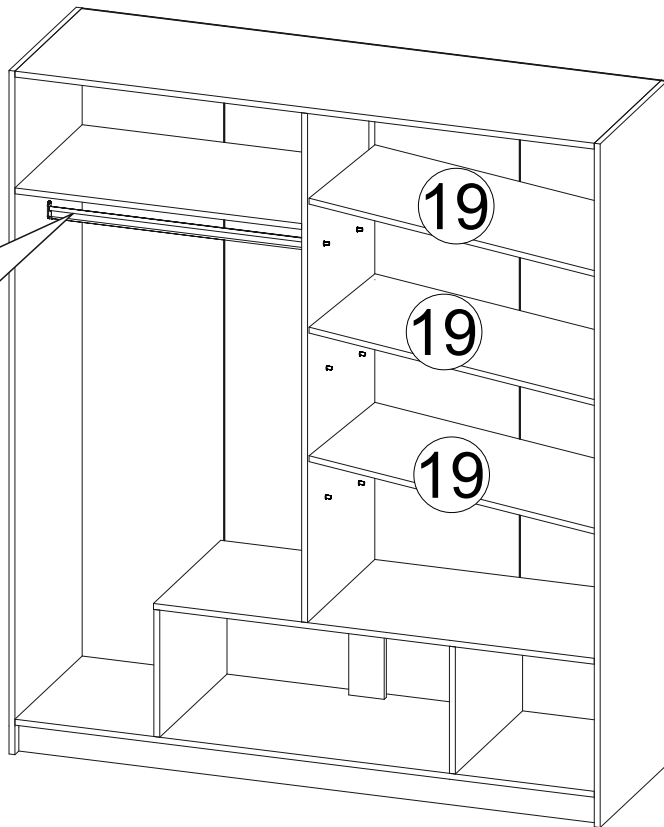
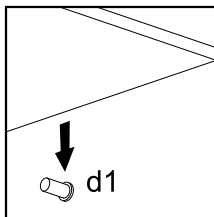
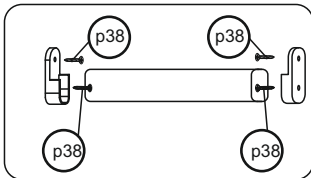
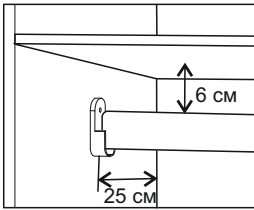


13


2x 

4x 
φ3,5x16 mm **p38**

12x 
φ5x17 mm

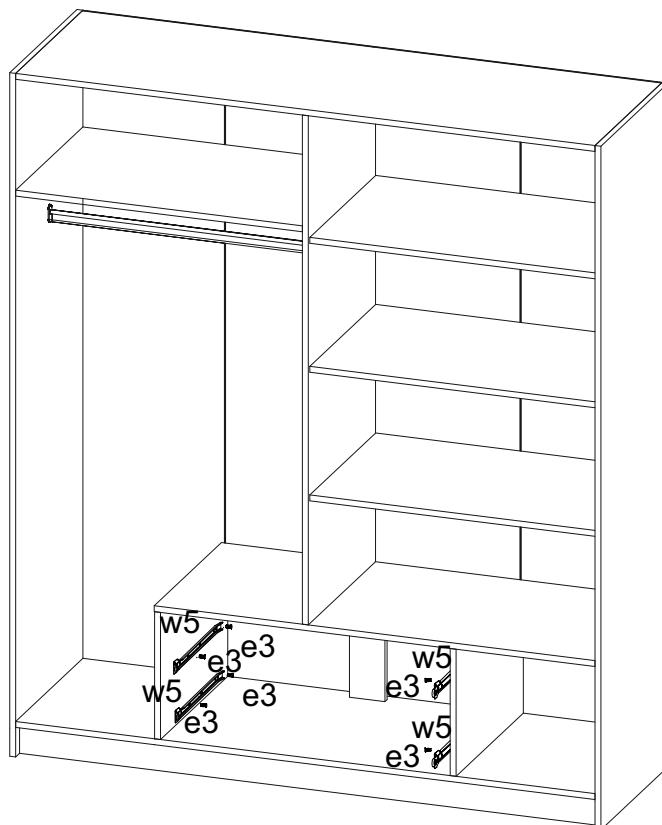


14

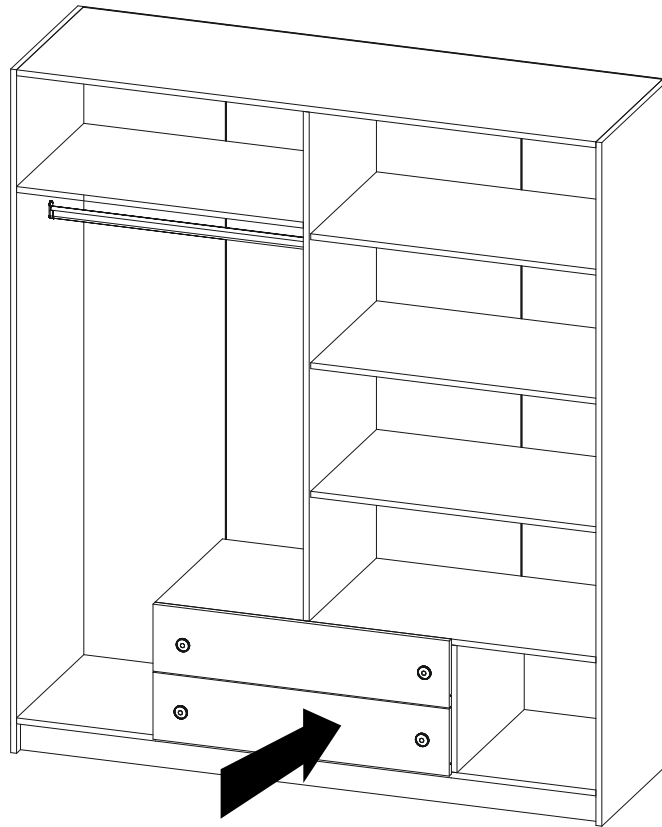
8x 
φ 7x13 mm **e3**

2x 
w5^{CR}

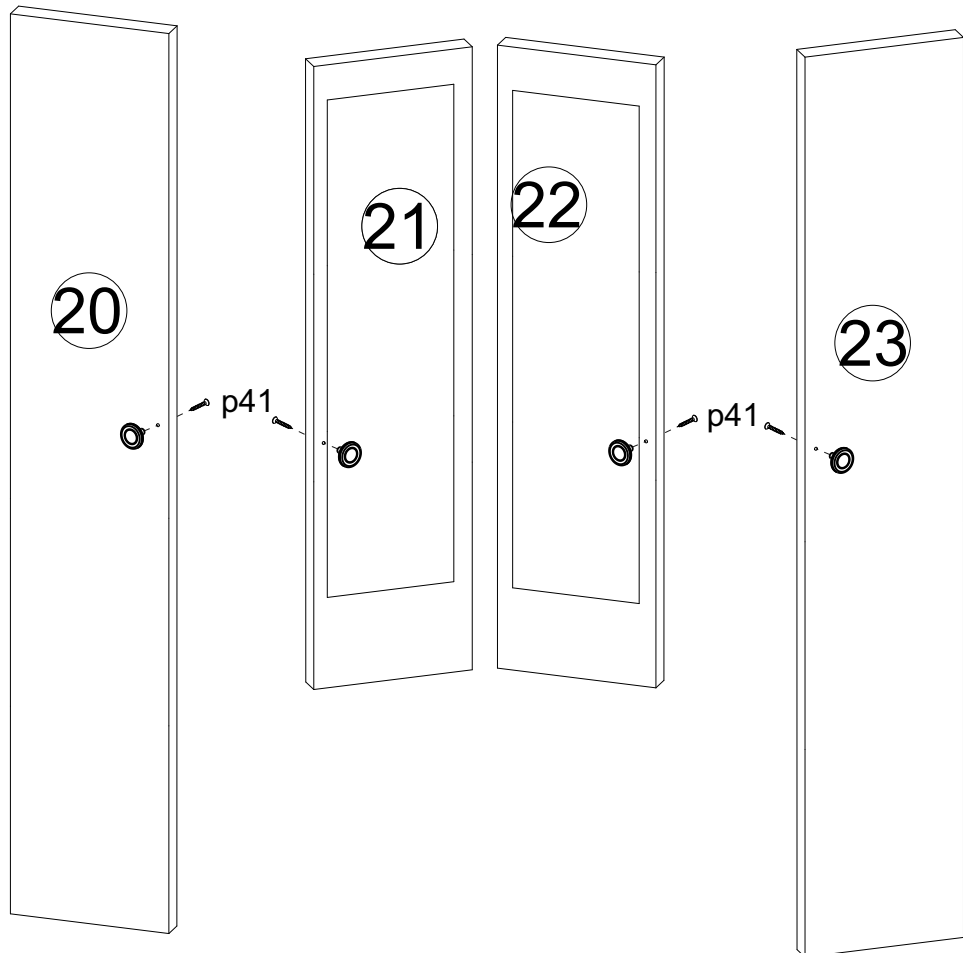
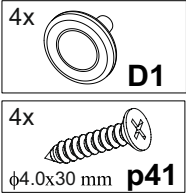
2x 
w5^{CL}



15



16



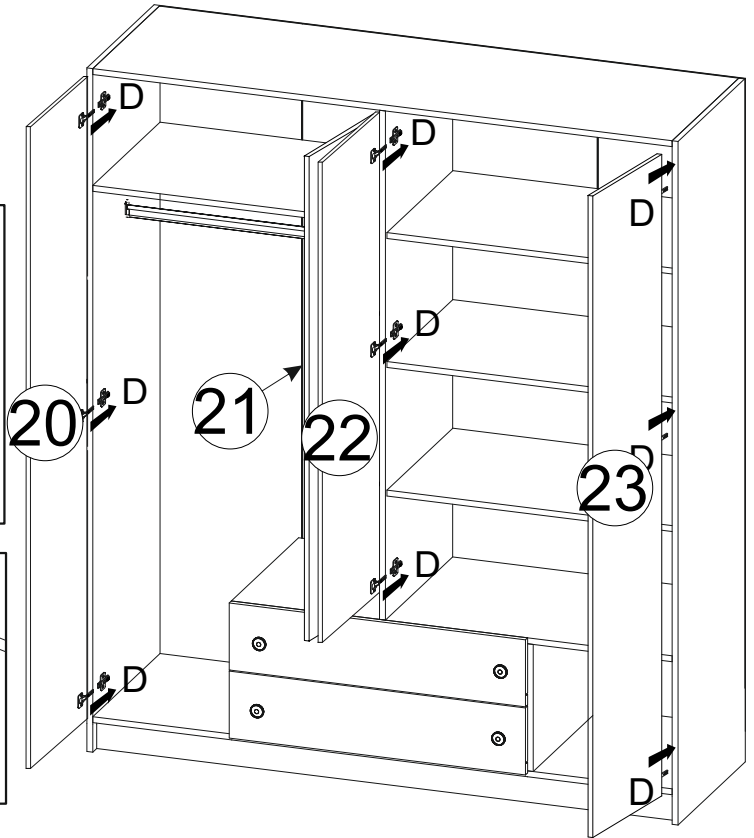
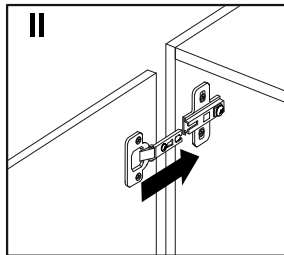
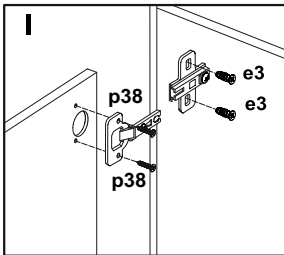
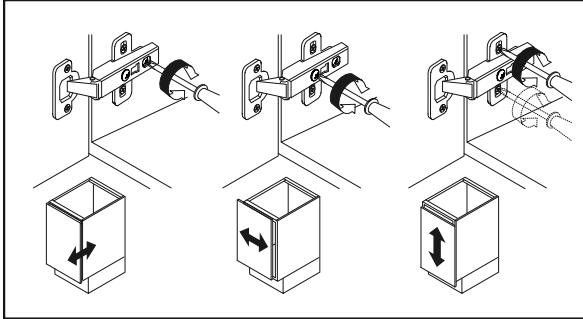
17

24x
φ3,5x16 mm **p38**

12x
φ6x13 mm **e3**

12x
D

12x
φ6,4x8 mm **e4**



18

4x
φ3,5x16 mm **p38**

2x p38

2x p38

