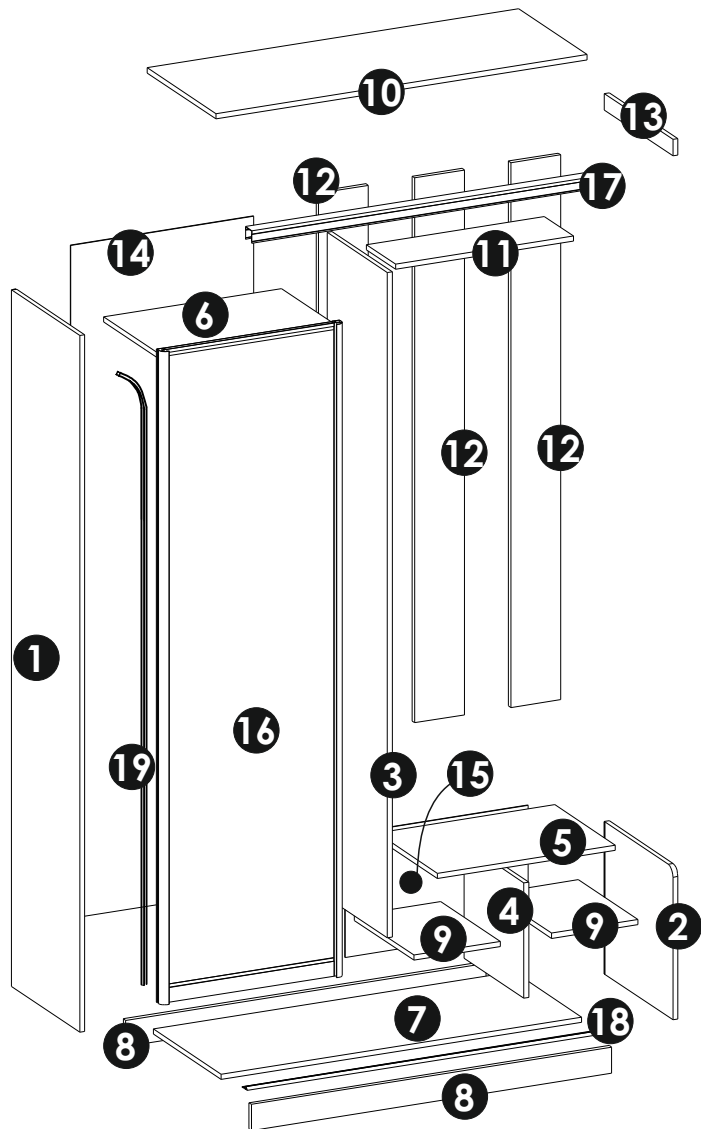
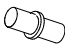
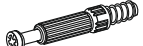




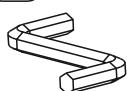

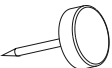



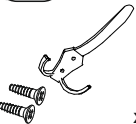





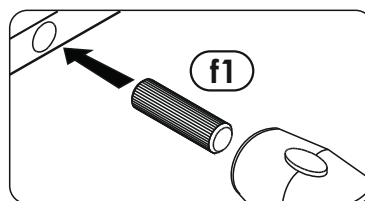
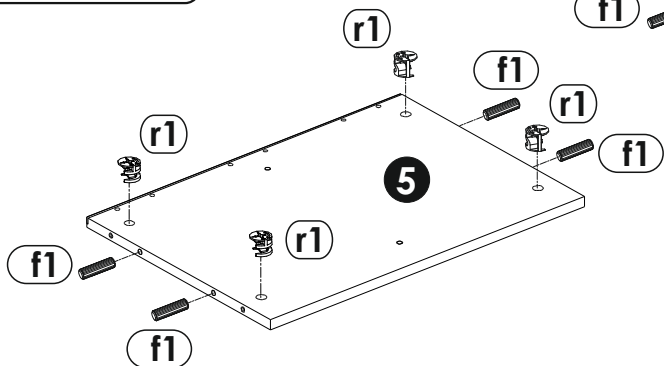
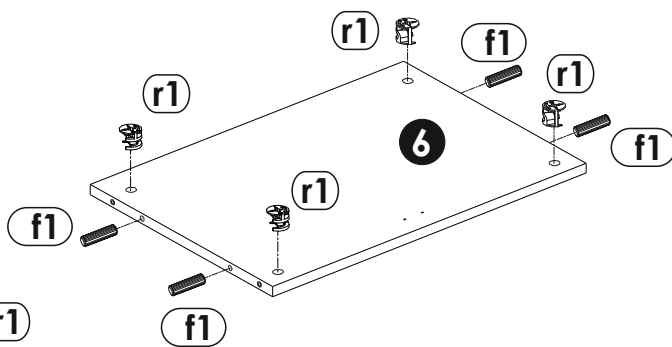
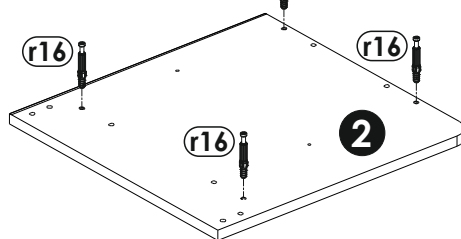
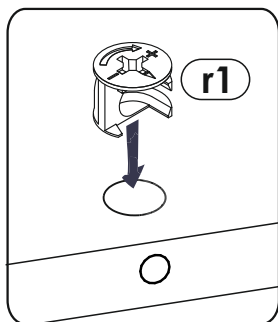
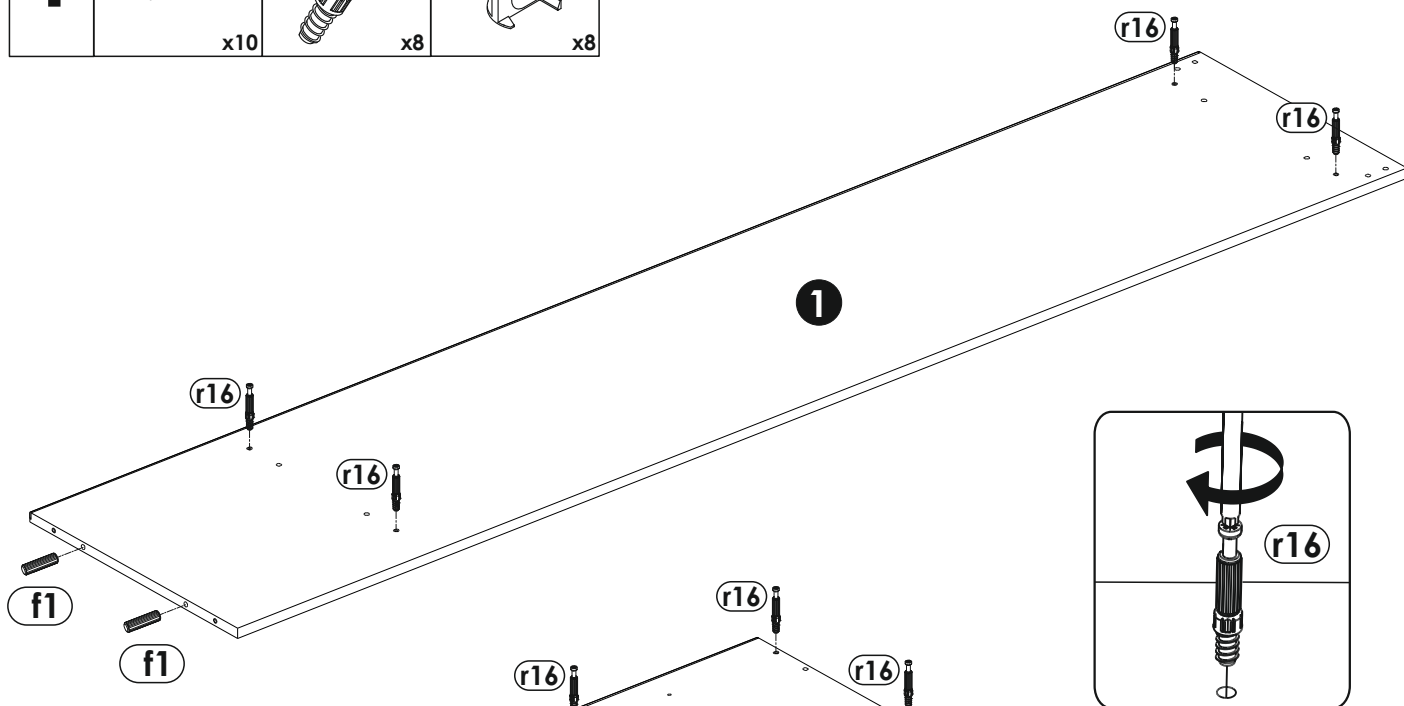
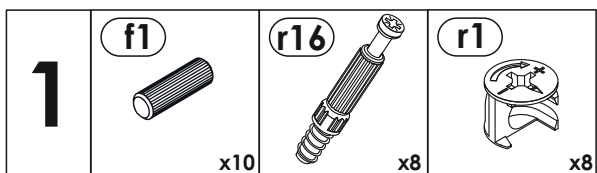
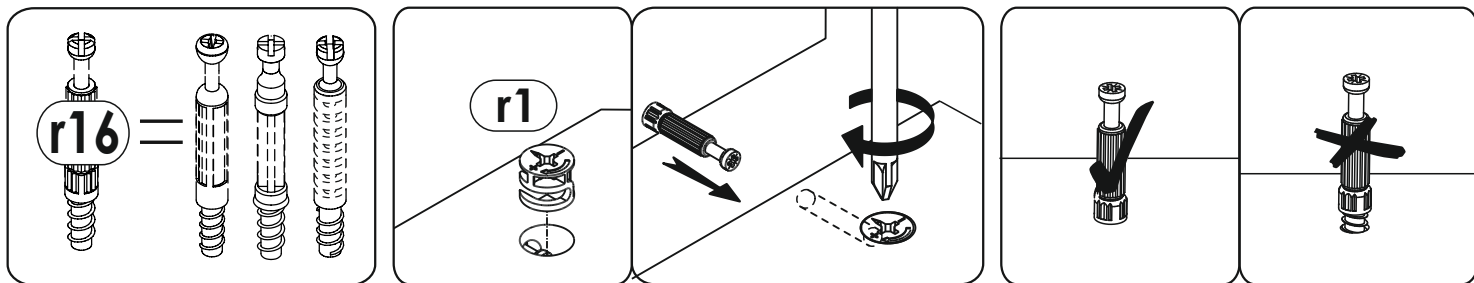
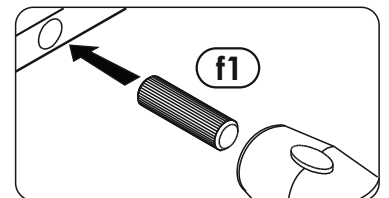
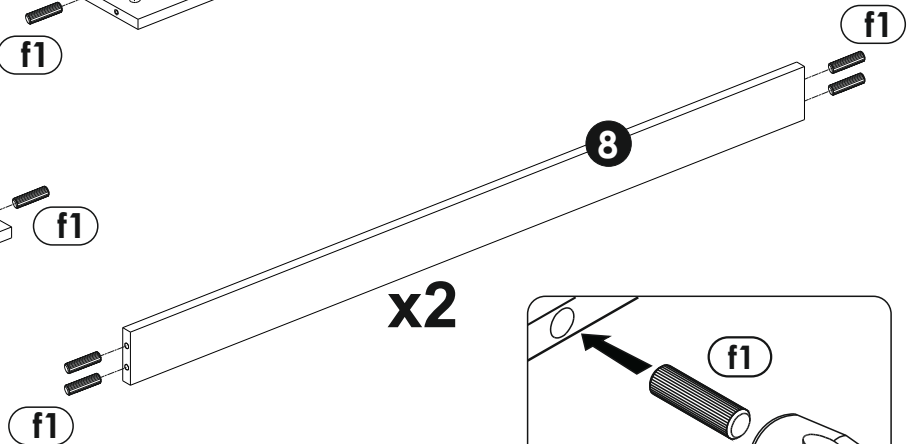
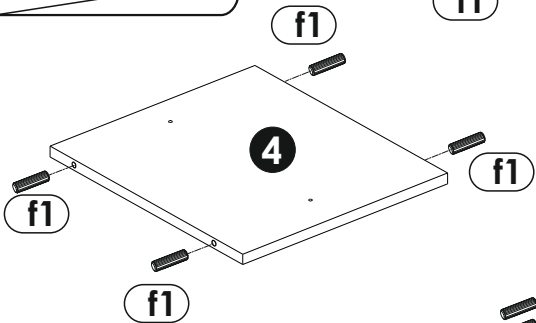
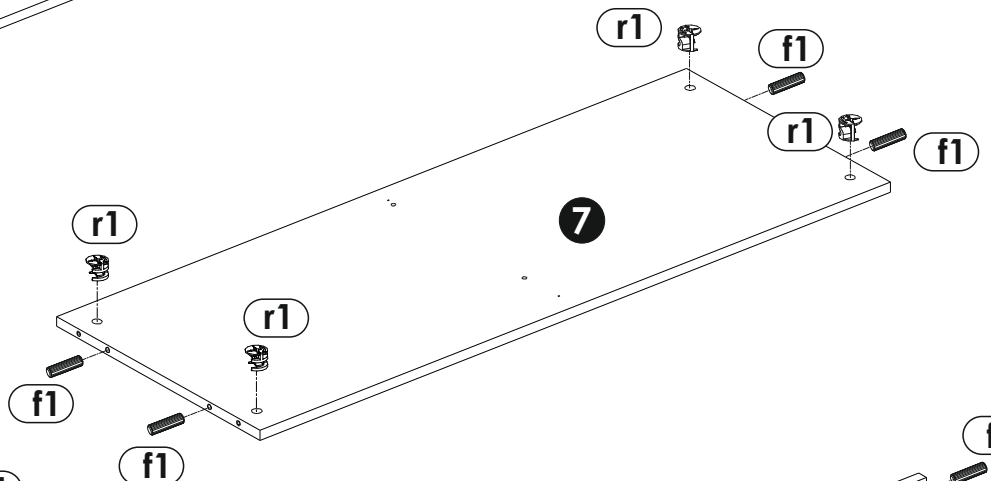
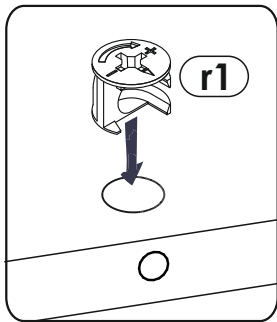
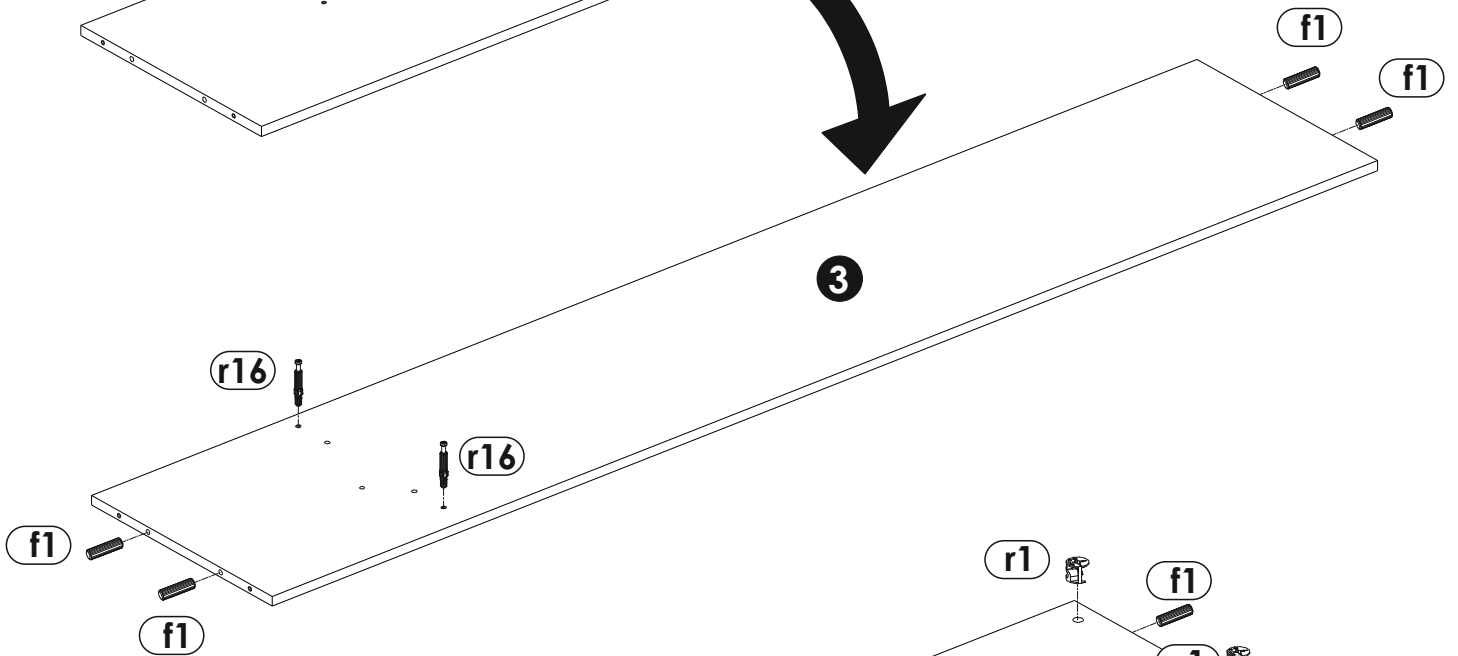
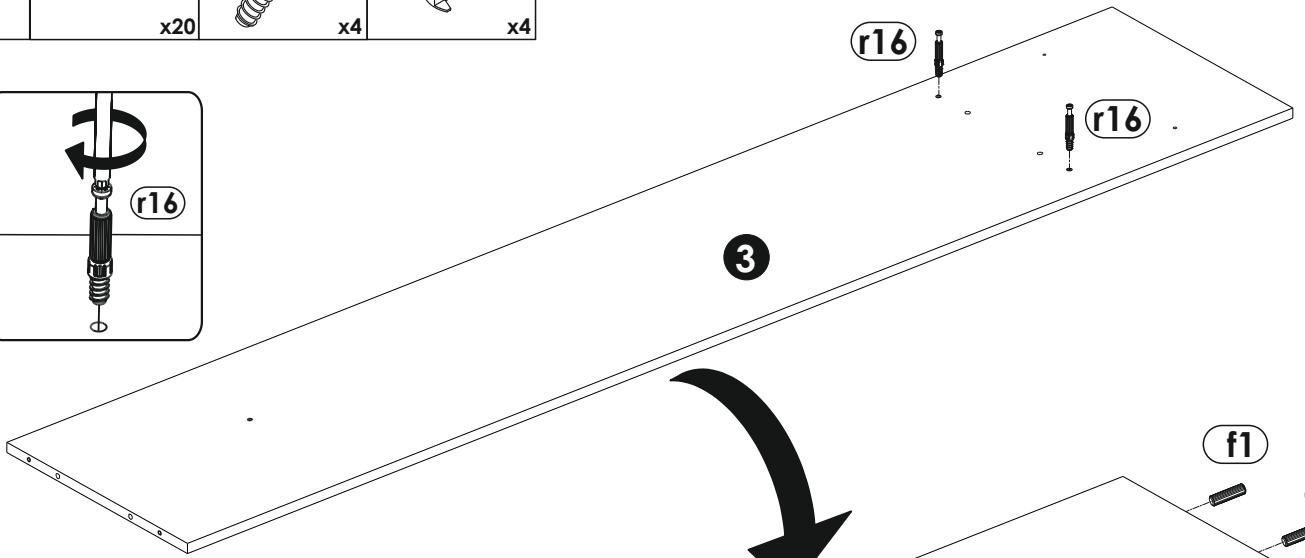
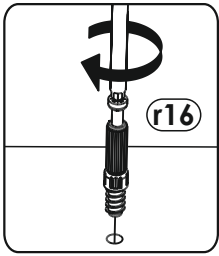
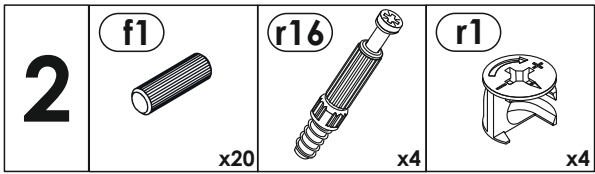


1	2139	453	16	x1
2	467	453	16	x1
3	2043	398	16	x1
4	354	396	16	x1
5	574	400	16	x1
6	574	397	16	x1
7	1164	449	16	x1
8	1164	80	16	x2
9	278	394	16	x2
10	1198	454	16	x1
11	574	192	16	x1
12	1673	160	16	x3
13	453	50	16	x1
14	2067	591	3	x1
15	378	591	3	x1
16	2006	596	33	x1
17	1164			x1
18	1164			x1
19	1800			x1

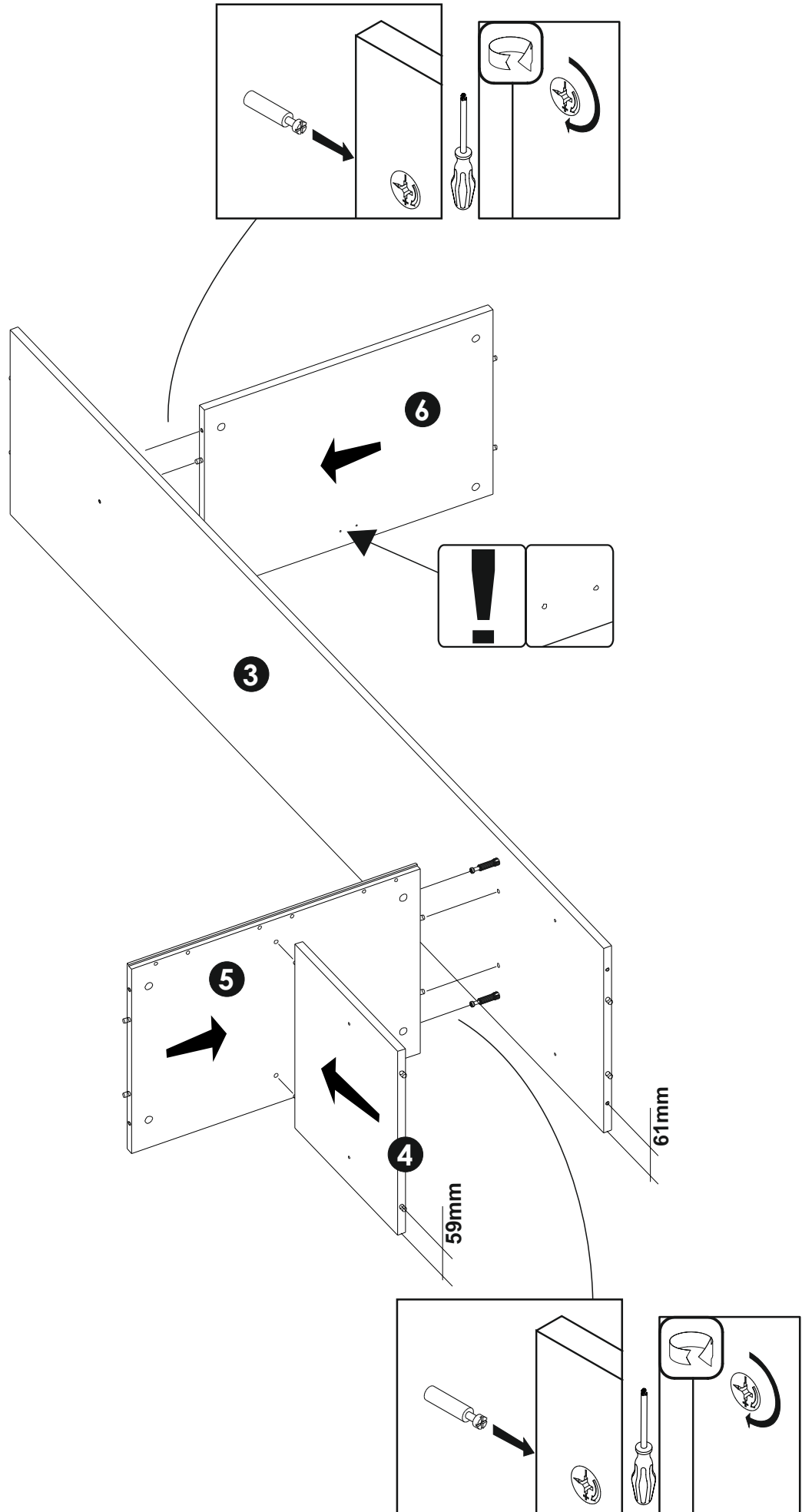


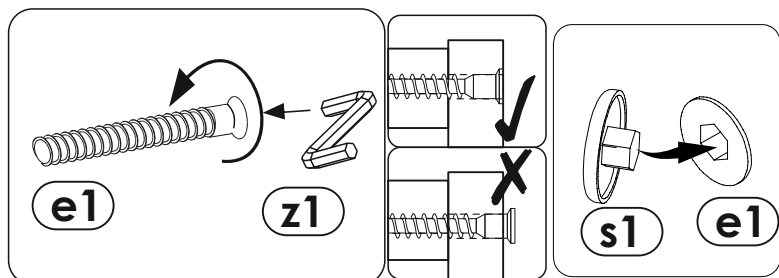
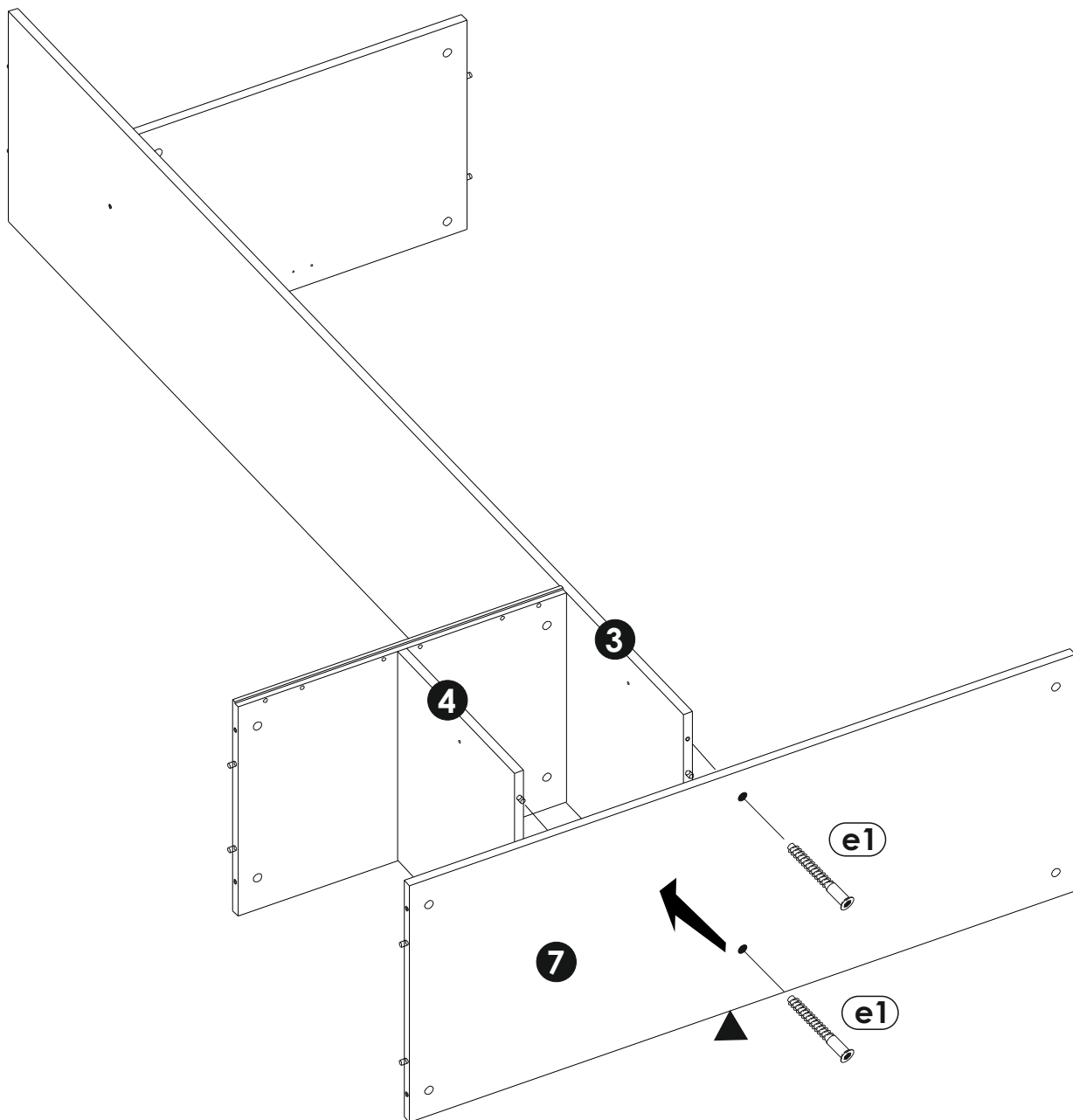
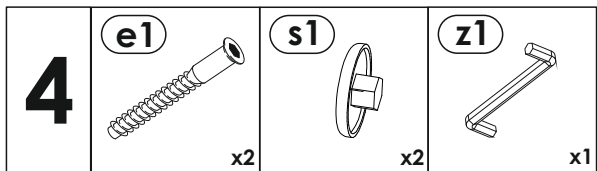
<b>d1</b>  φ5x17 mm x8	<b>r16</b>  6 x 34 mm x12	<b>r1</b>  15 x 12 mm x12	<b>s2</b>  x12	<b>e1</b>  6.3 x 50 mm x21	<b>s1</b>  x24	<b>z1</b>  x1	<b>f1</b>  8 x 32 mm x32
<b>k1</b>  x6	<b>p4</b>  4.2 x 13 mm x11	<b>e9</b>  7 x 70 mm x3	<b>d6</b>  x2	<b>p28</b>  x3	<b>m6</b>  x1	<b>p1</b>  3.5 X 13 mm x4	<b>l1</b>  x70
<b>y1</b>  x1	<b>j4</b>  x1						



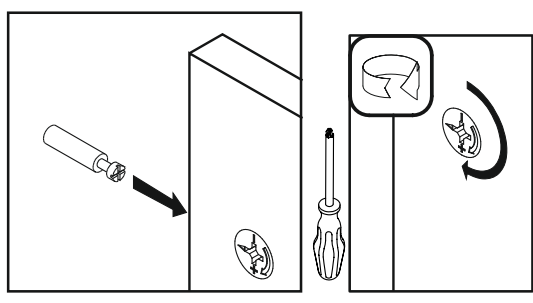
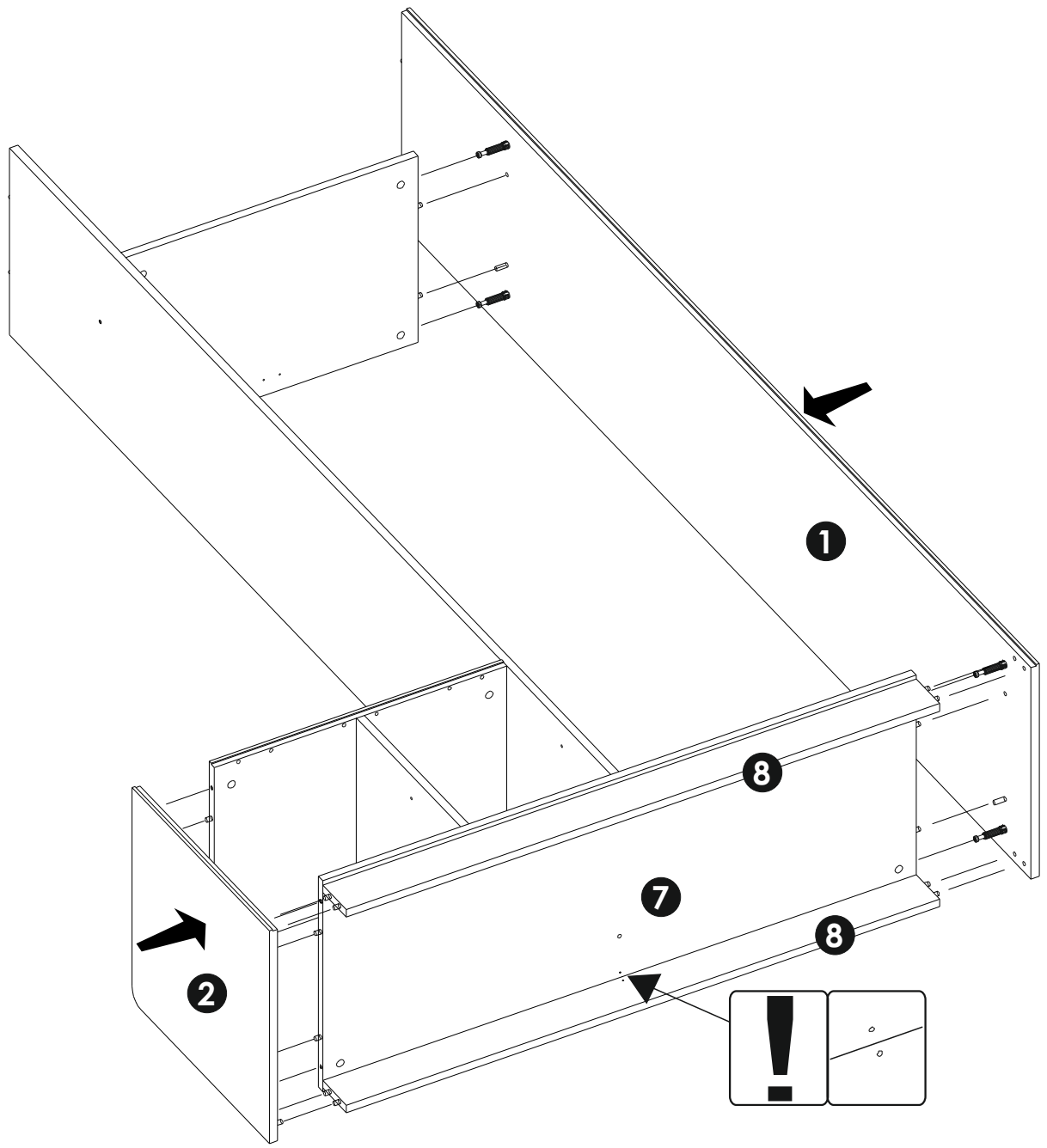


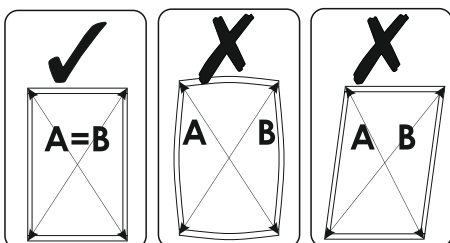
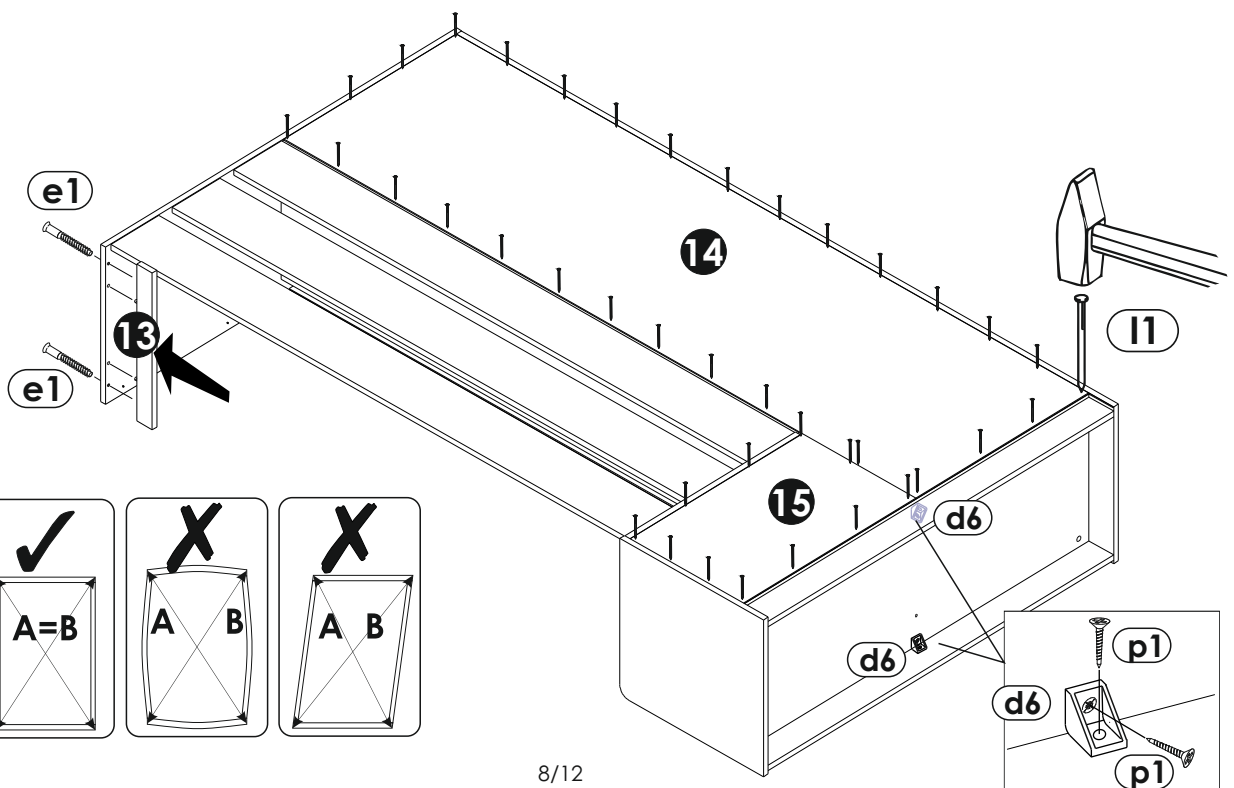
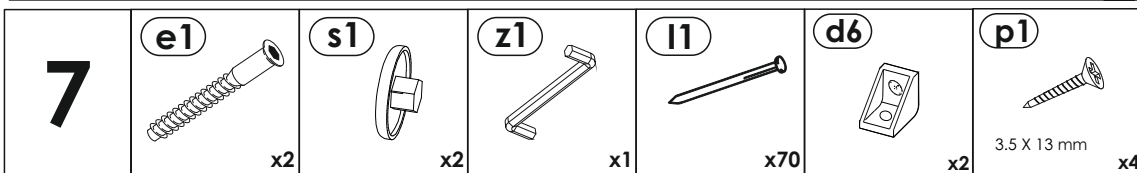
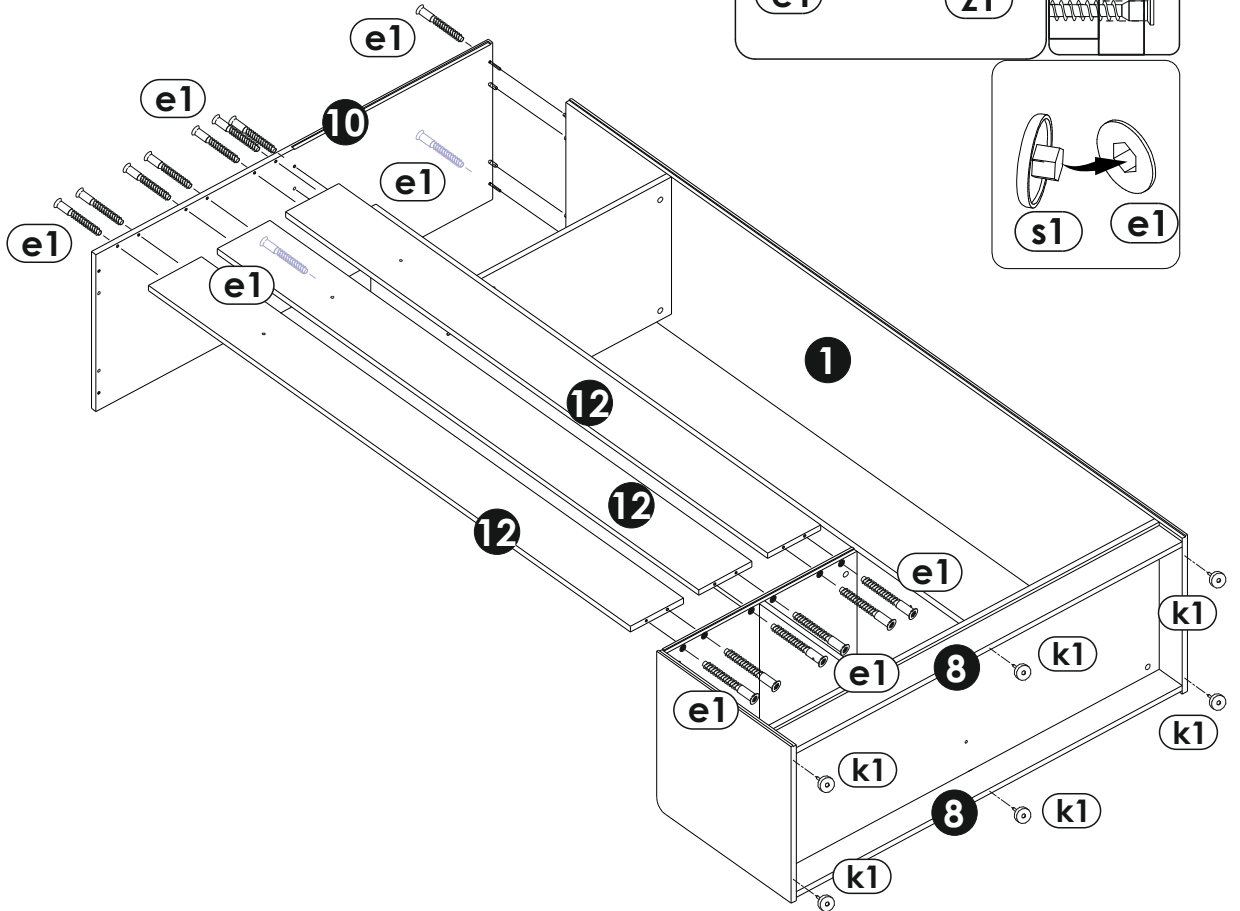
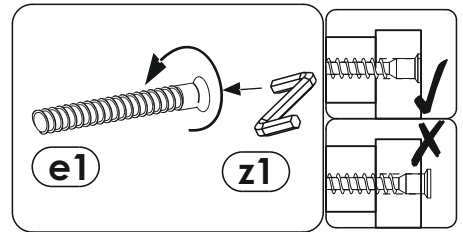
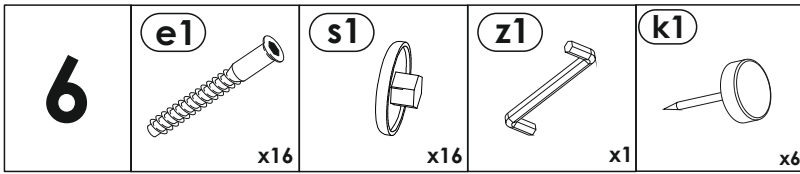
3



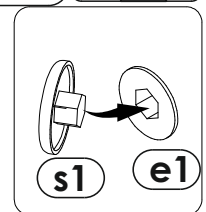
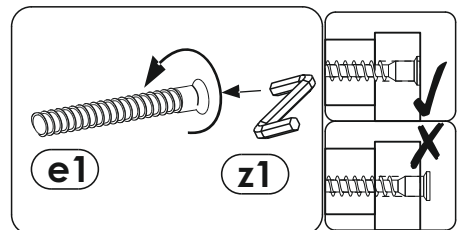
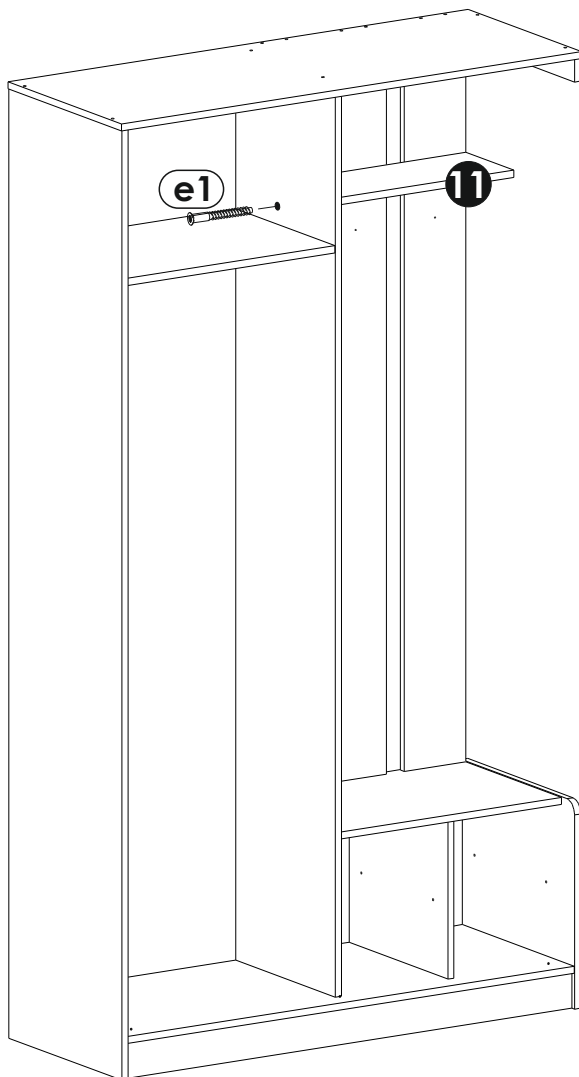
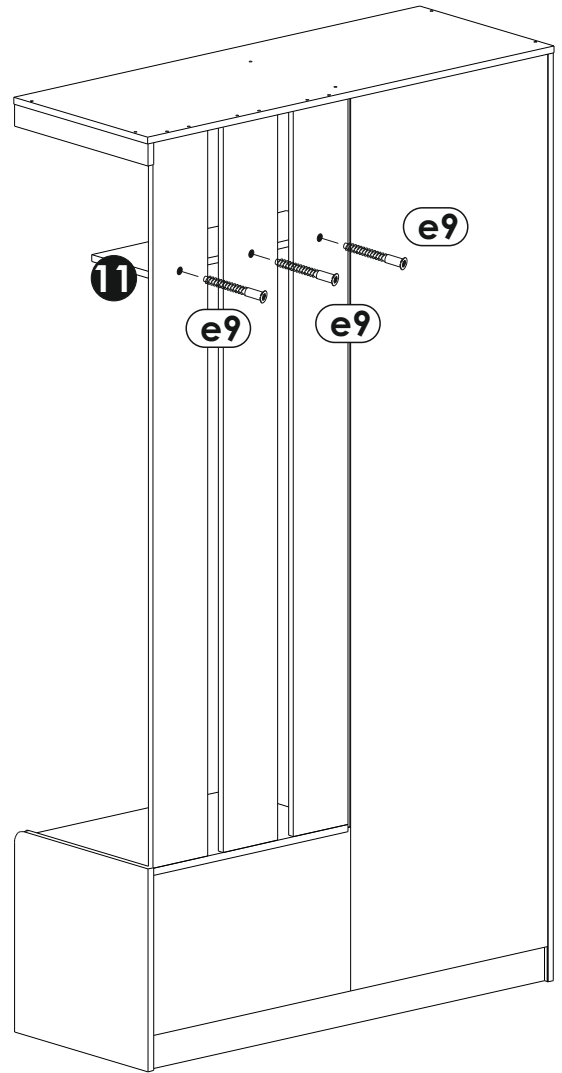
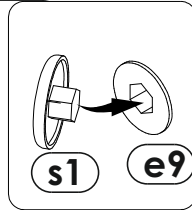
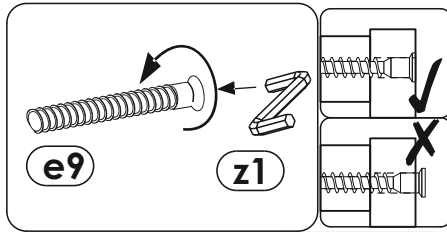
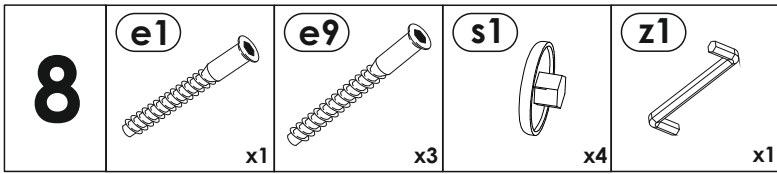






5

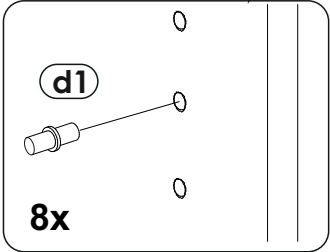
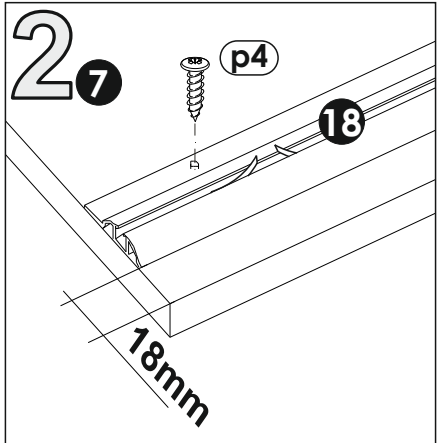
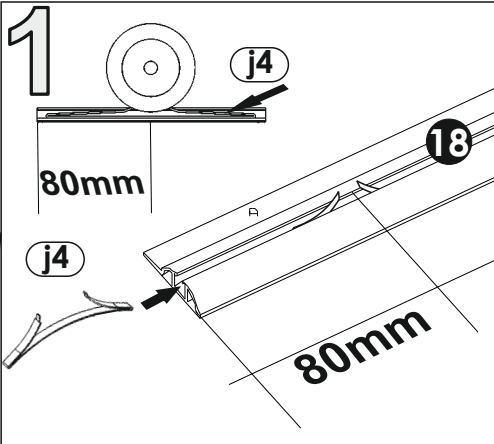
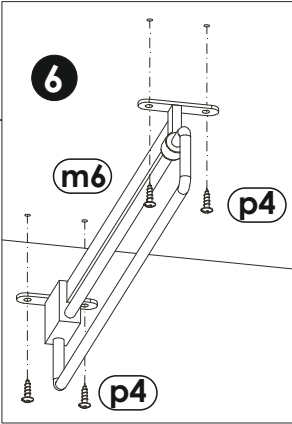
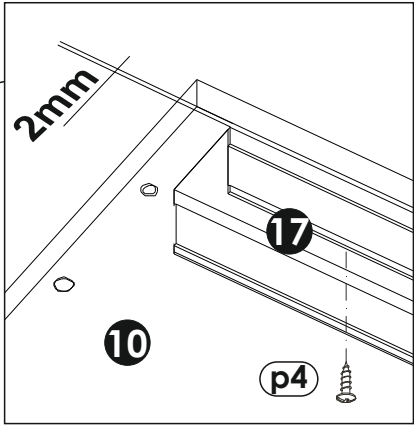
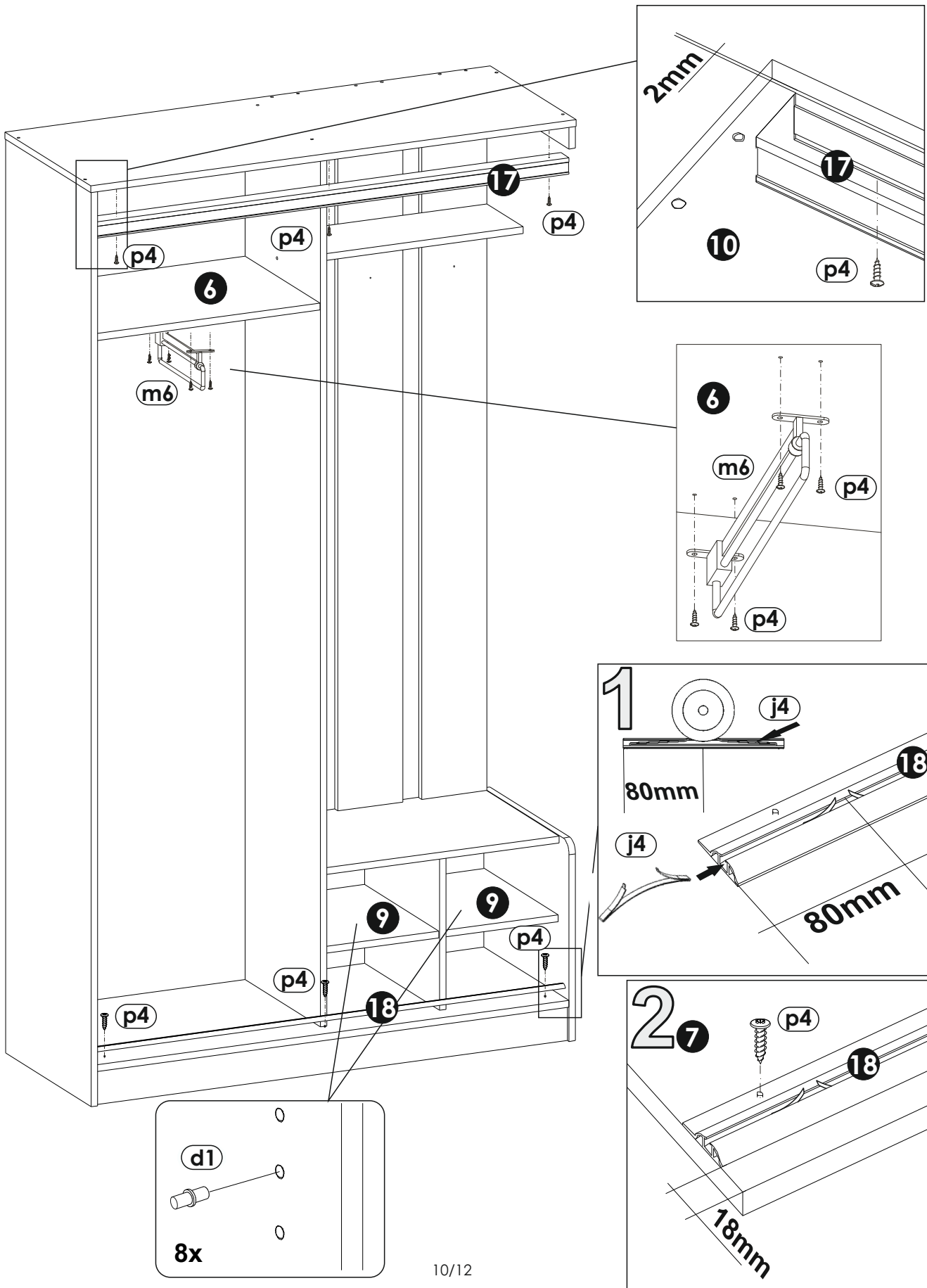








<p><b>9</b></p>	<p><b>p4</b></p>  <p>4.2 x 13 mm</p> <p>x10</p>	<p><b>m6</b></p>  <p>x1</p>	<p><b>d1</b></p>  <p>φ5x17 mm</p> <p>x8</p>	<p><b>j4</b></p>  <p>x1</p>
-----------------	----------------------------------------------------------------------------------------------------------------------------------	--------------------------------------------------------------------------------------------------------------	------------------------------------------------------------------------------------------------------------------------------	--------------------------------------------------------------------------------------------------------------



10

