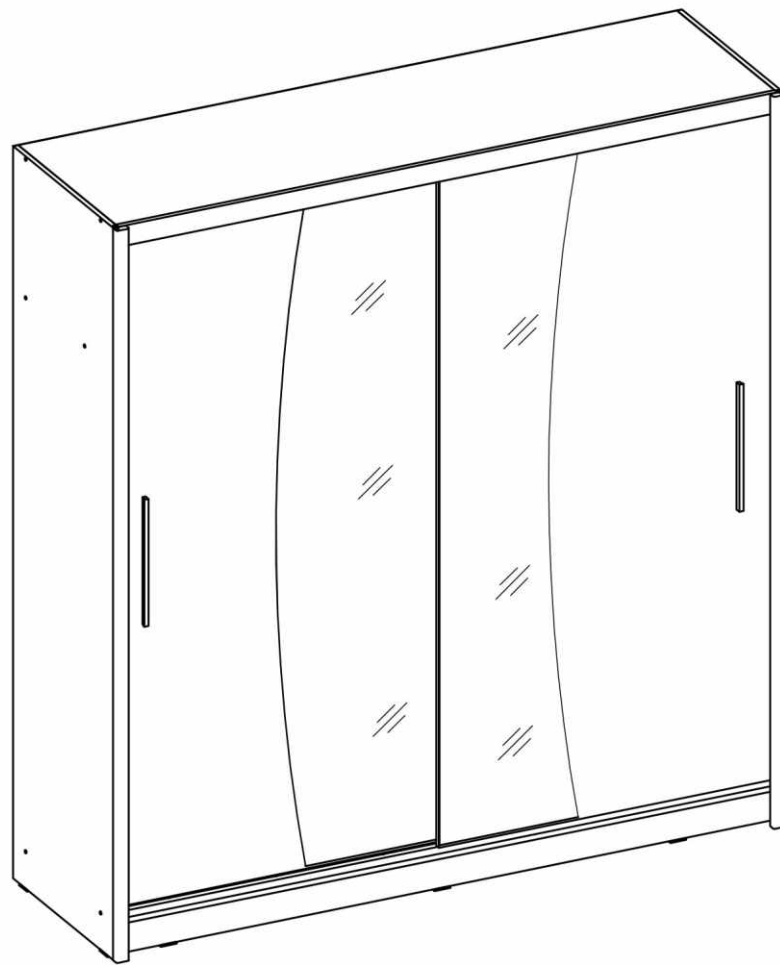
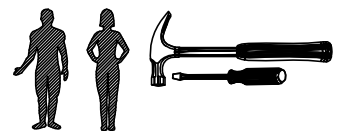
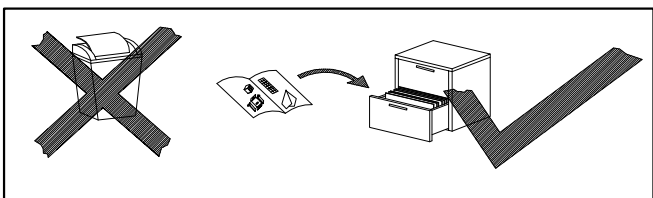
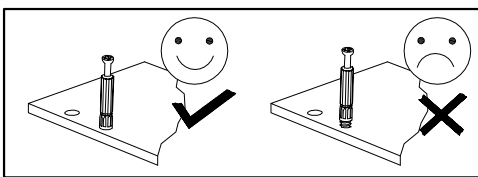
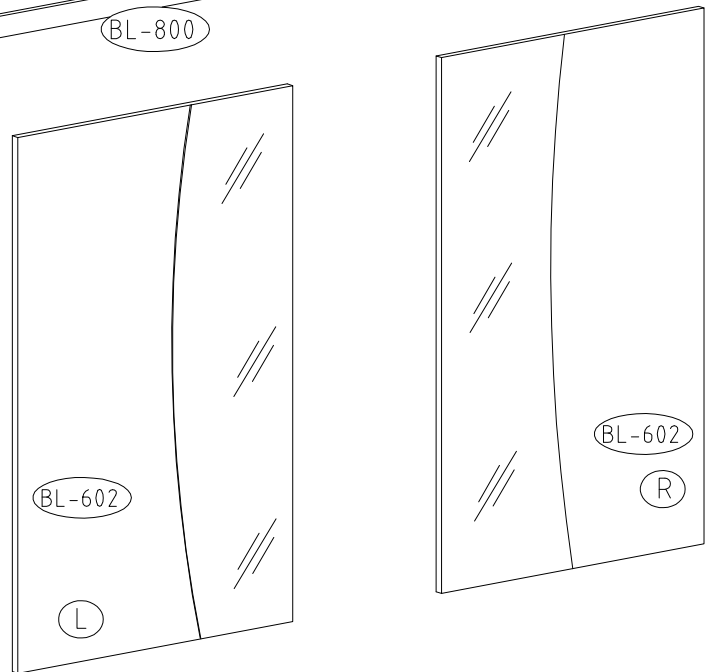
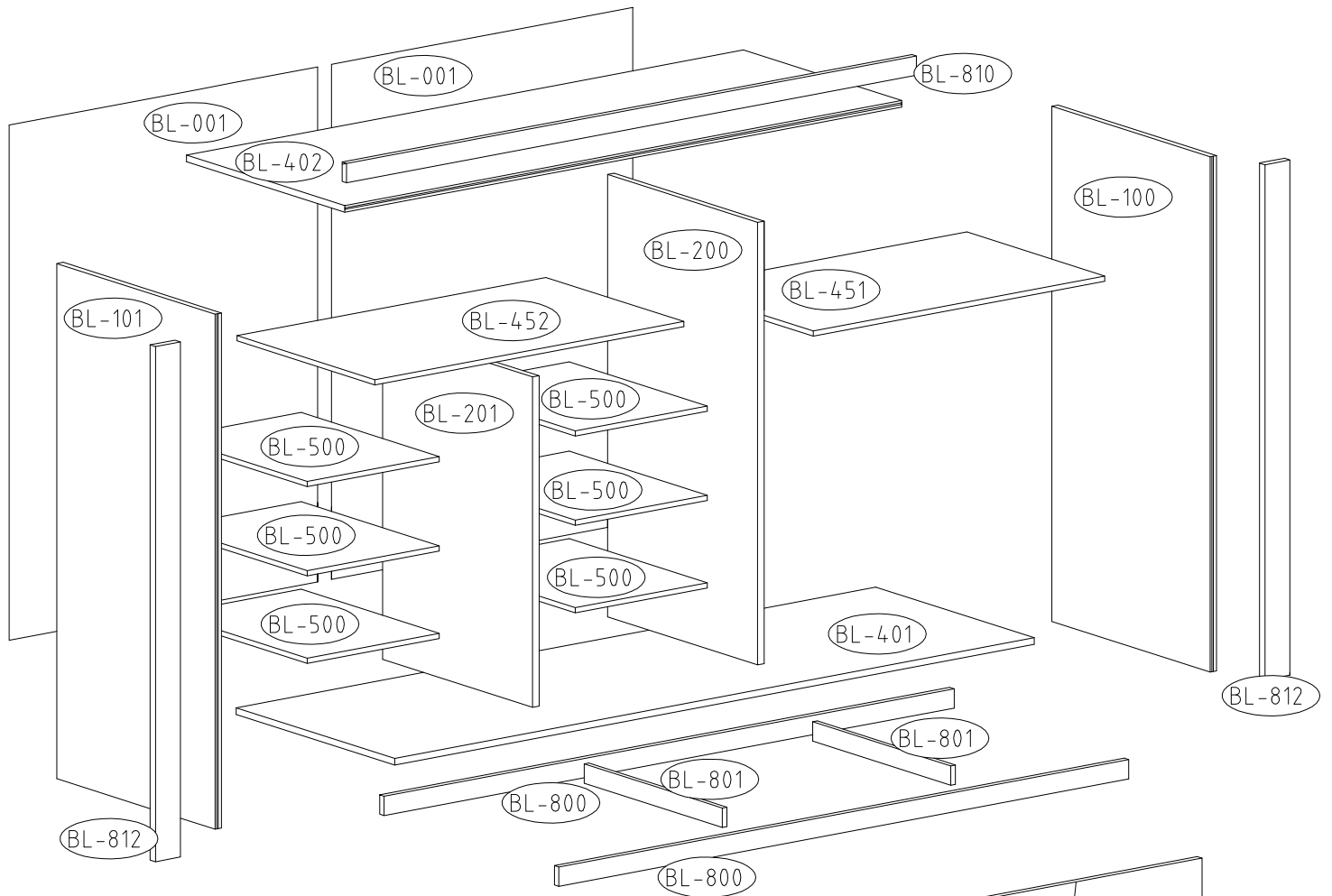
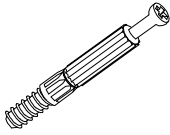
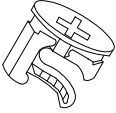

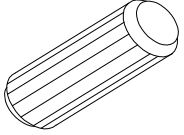
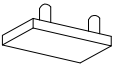


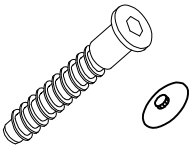

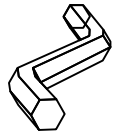
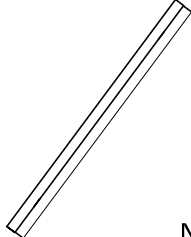
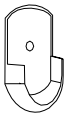
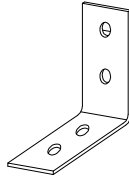

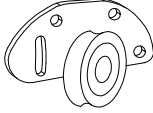
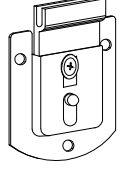
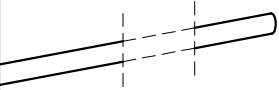

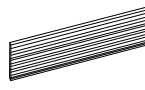
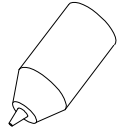
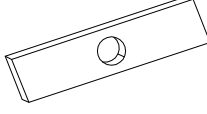
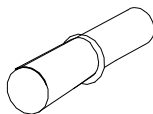



# BIRGAMO

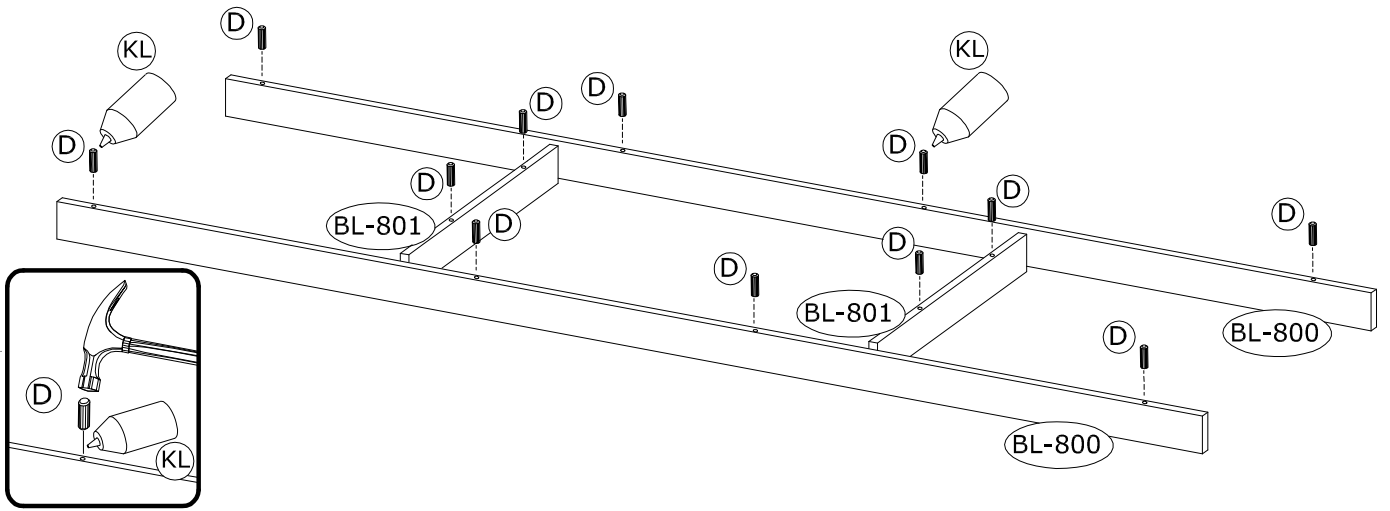
TYP 2



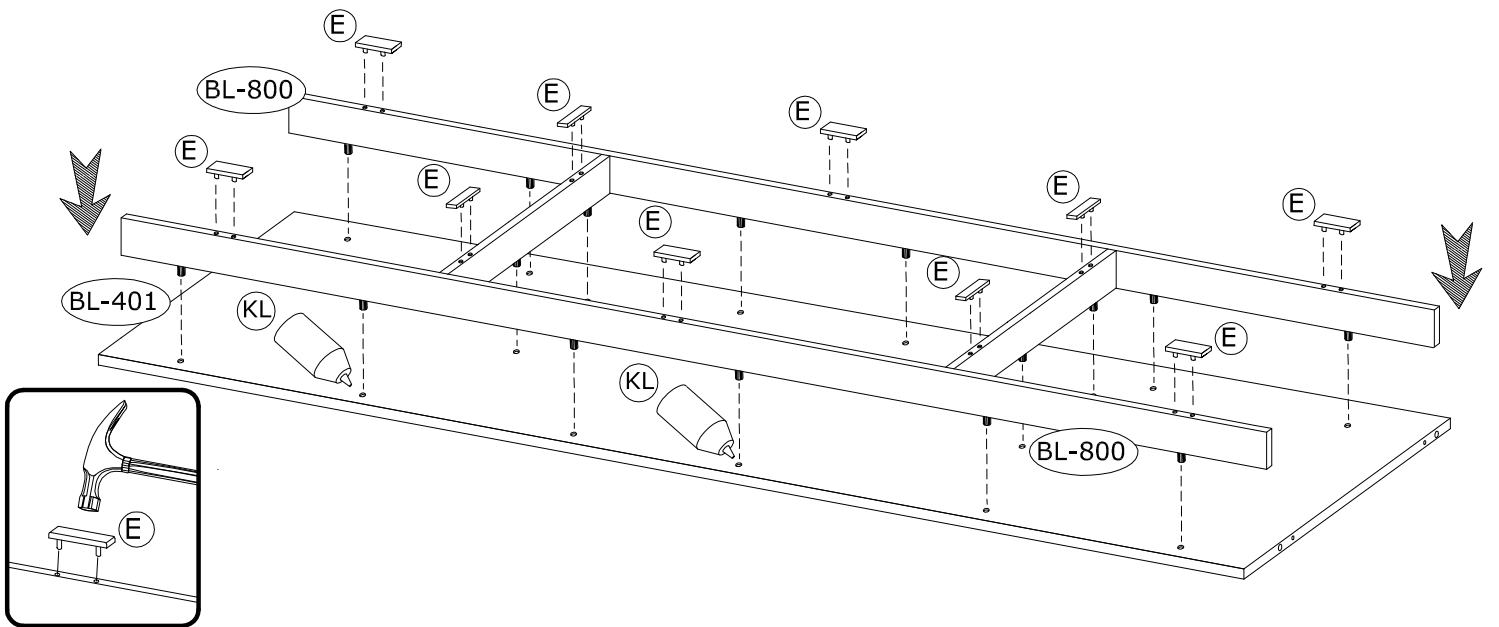


			
Ø6.5x36.5mm A-8	Ø15x16mm B-8	Ø20 C-8	Ø8x30mm D-36
			
E-14	Ø6.3x13mm H-4	Ø4.0x16mm I-44	J-16
			
Ø4.0x25mm K-4	4mm L-1	N-2	P-2
			
W-4	L-1966 V-2	B1-4	B2-4
			
L-968 DR-1	GW-90	HR-18	KL-2
			
L1-16	PP-24	Ø3,0x13mm S2-20	

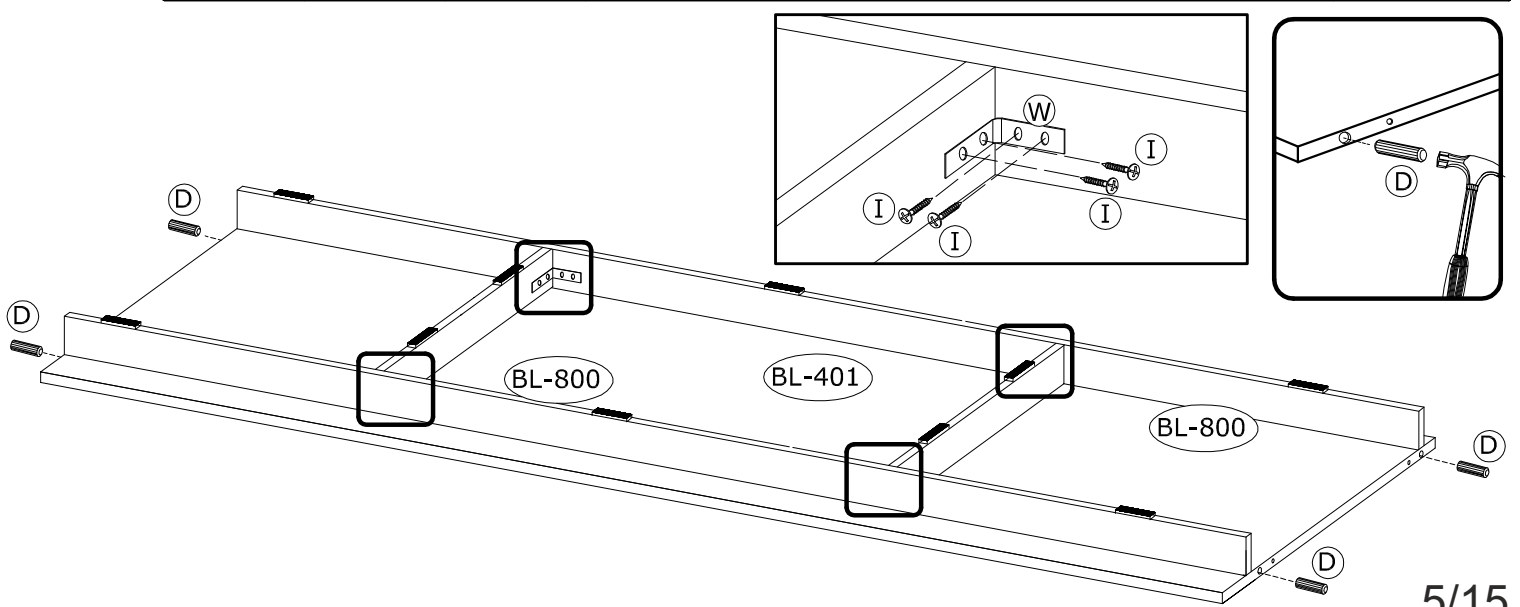
# 1.



# 2.

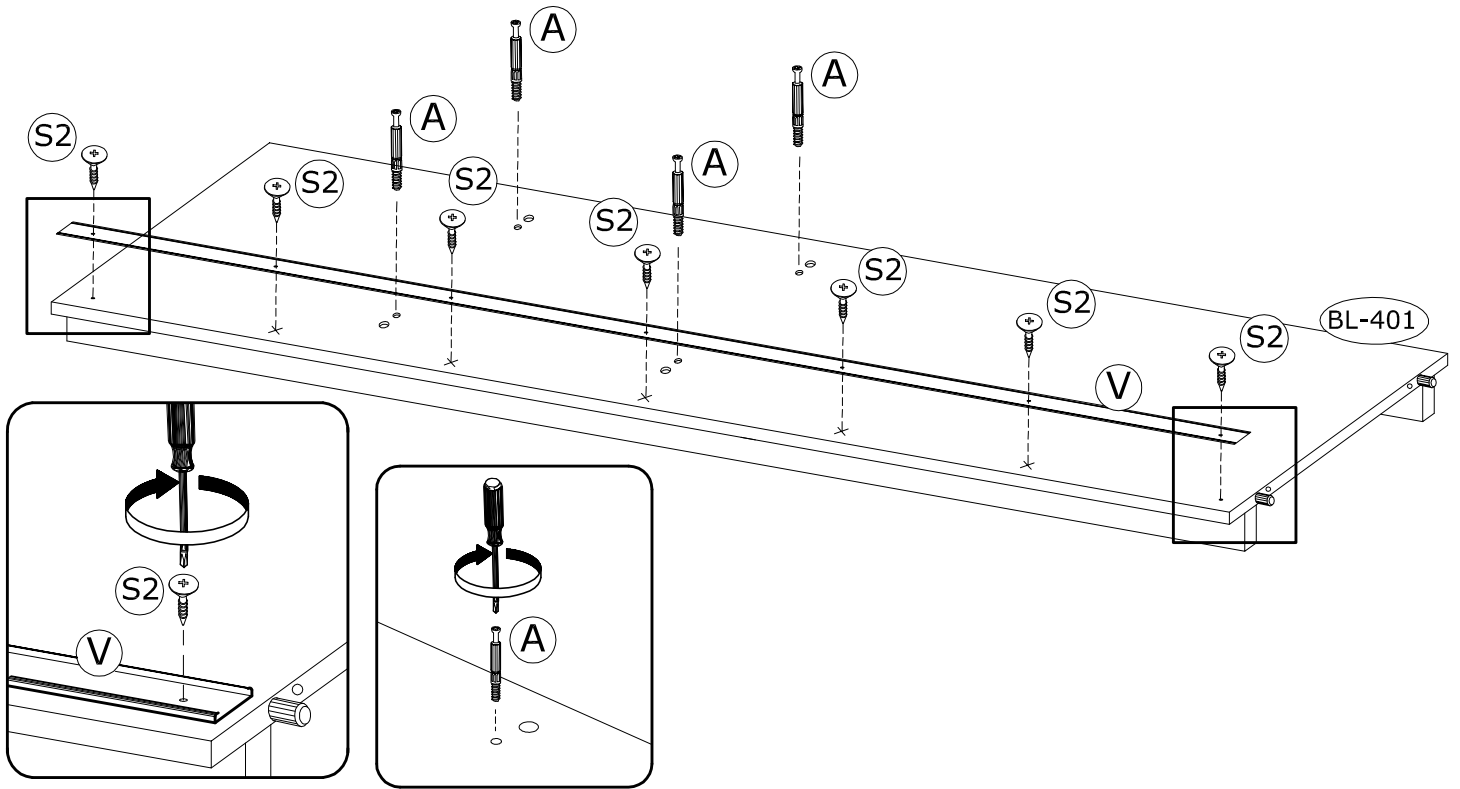


# 3.



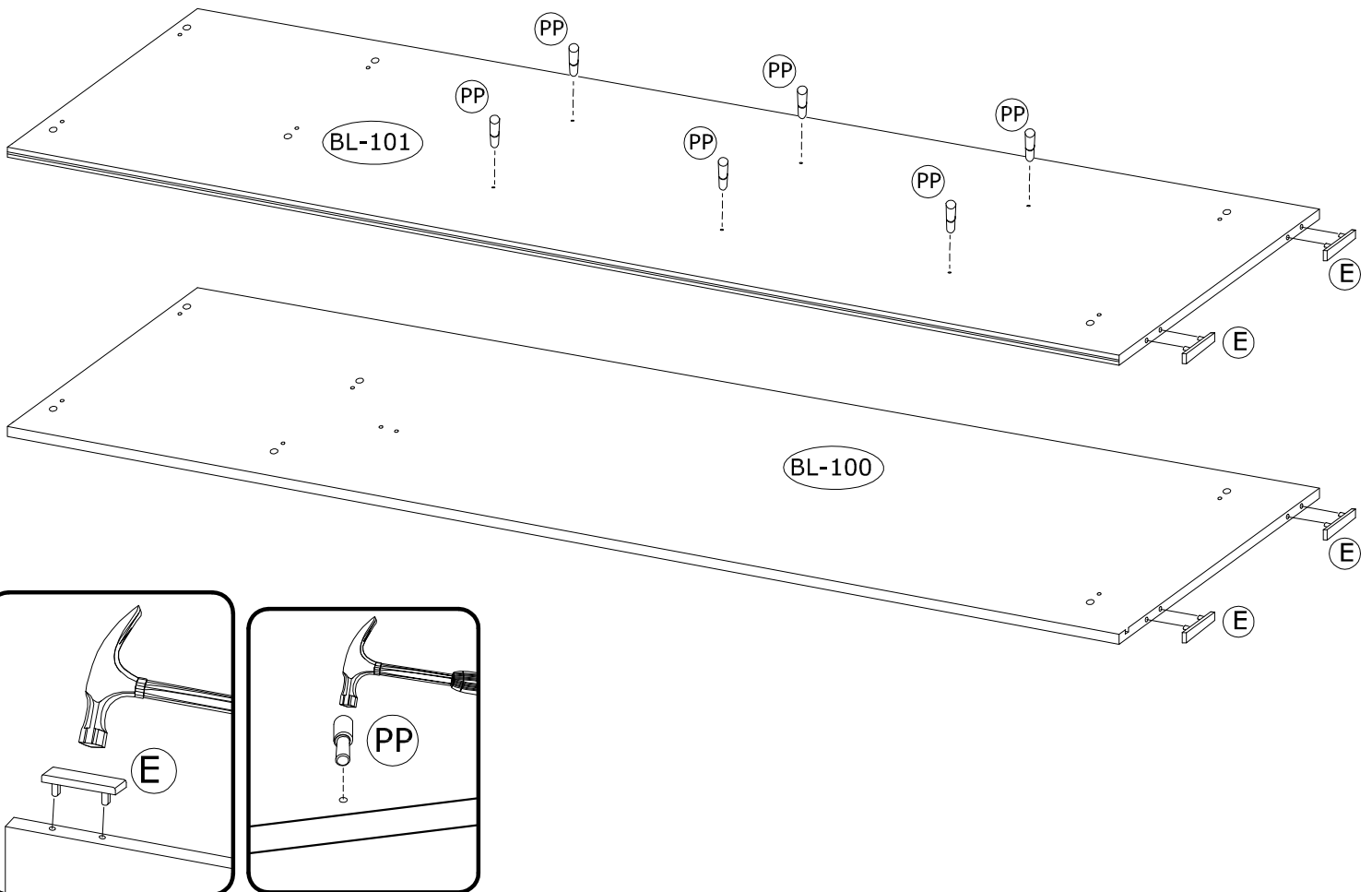
**4.**

 Ax4	 S2x8	 Vx1		
---	--	---	--	--

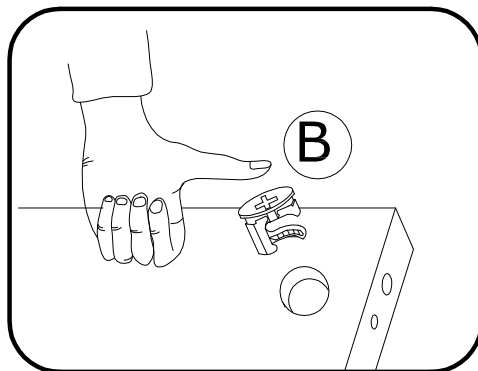
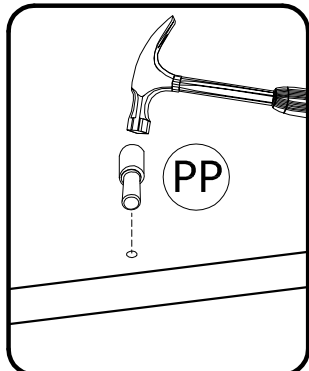
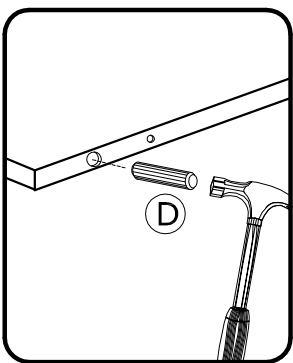
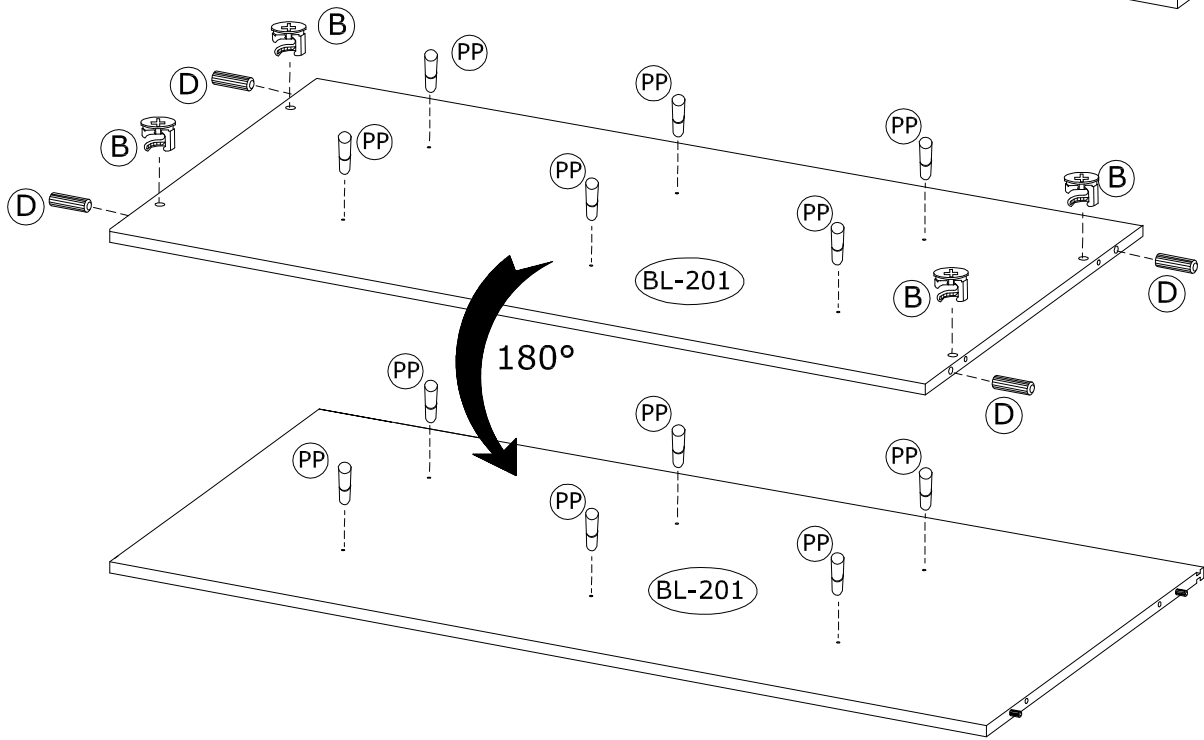
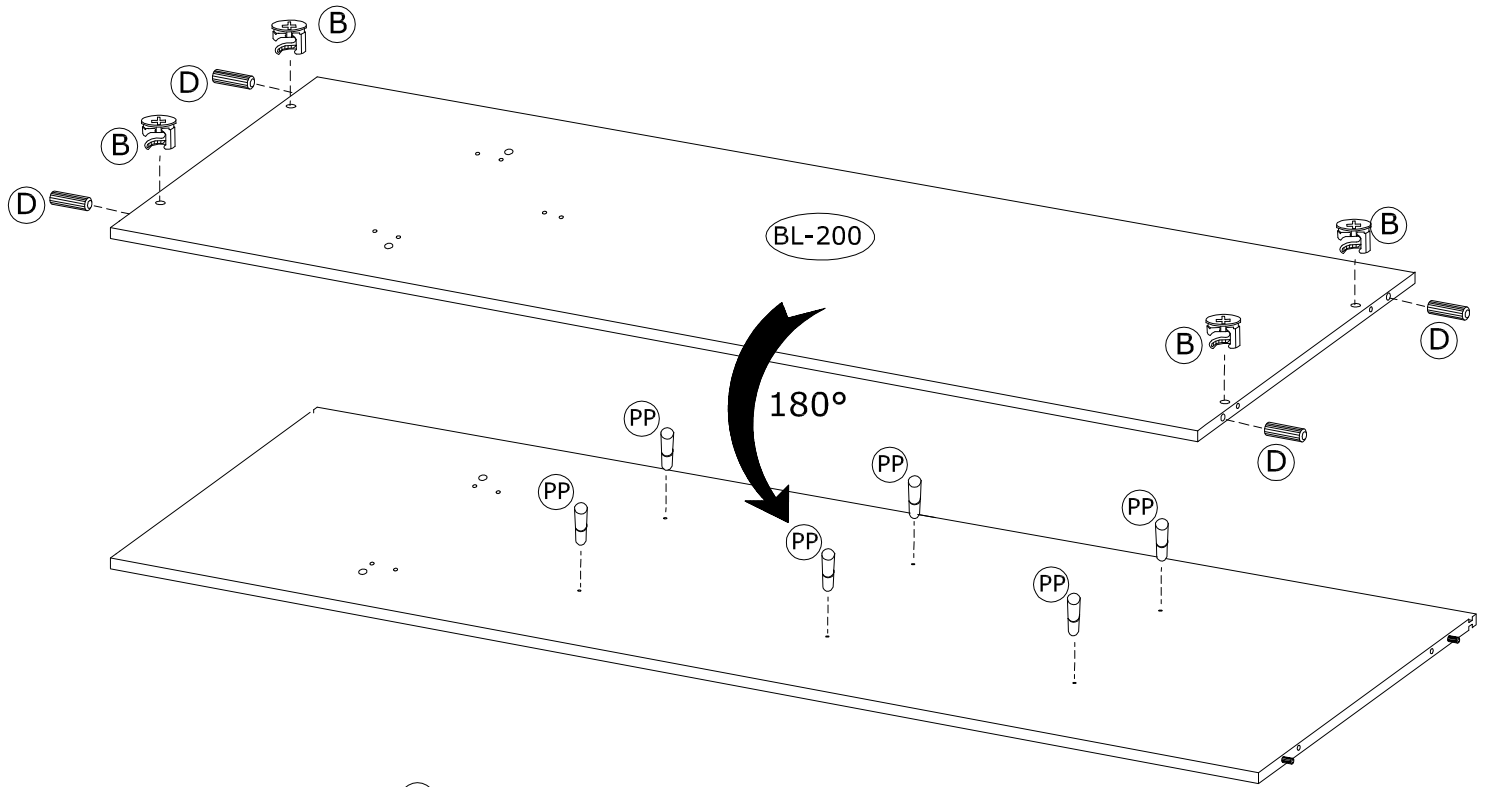
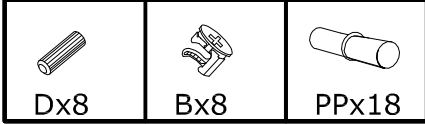


**5.**

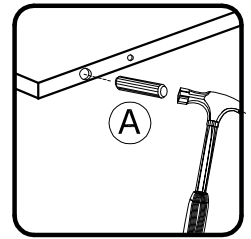
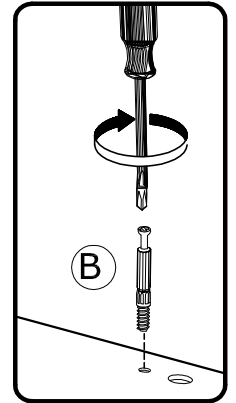
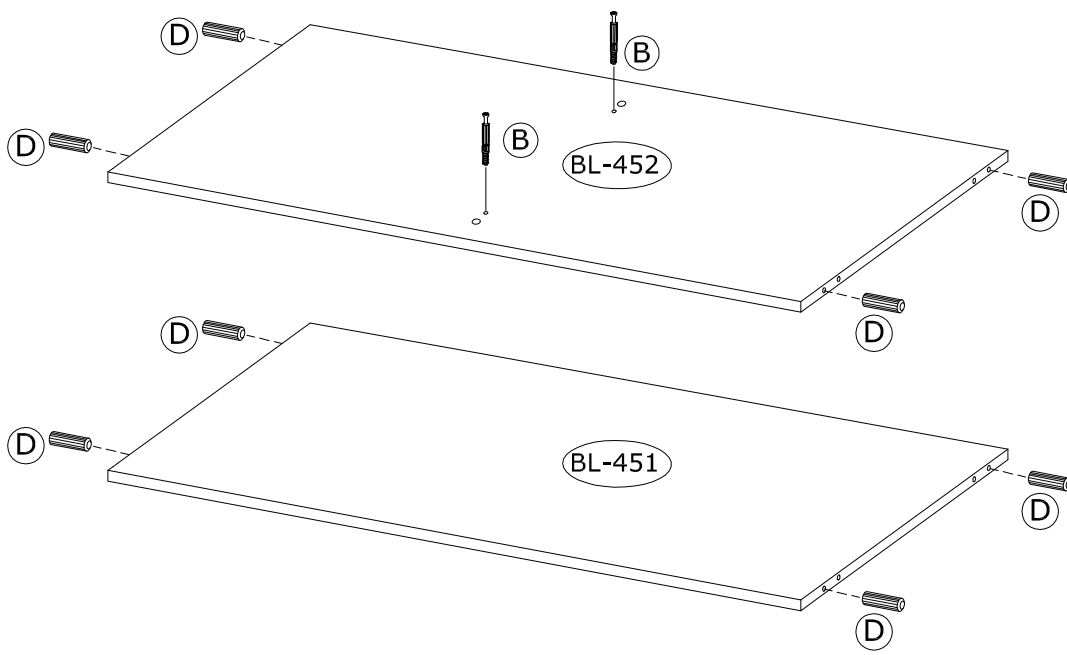
 PPx6	 Ex4		
---	--	--	---



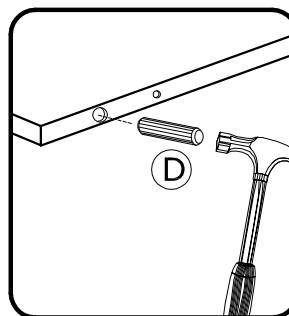
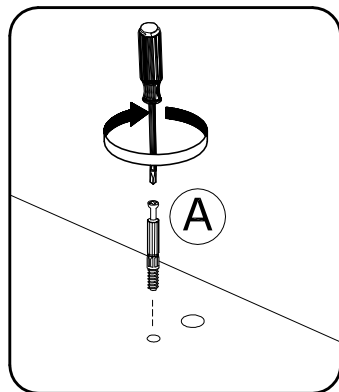
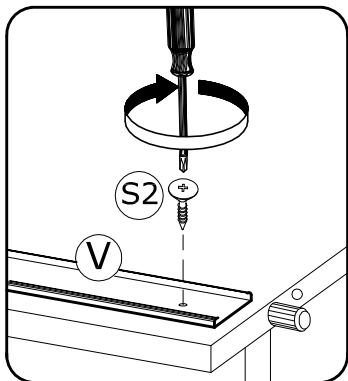
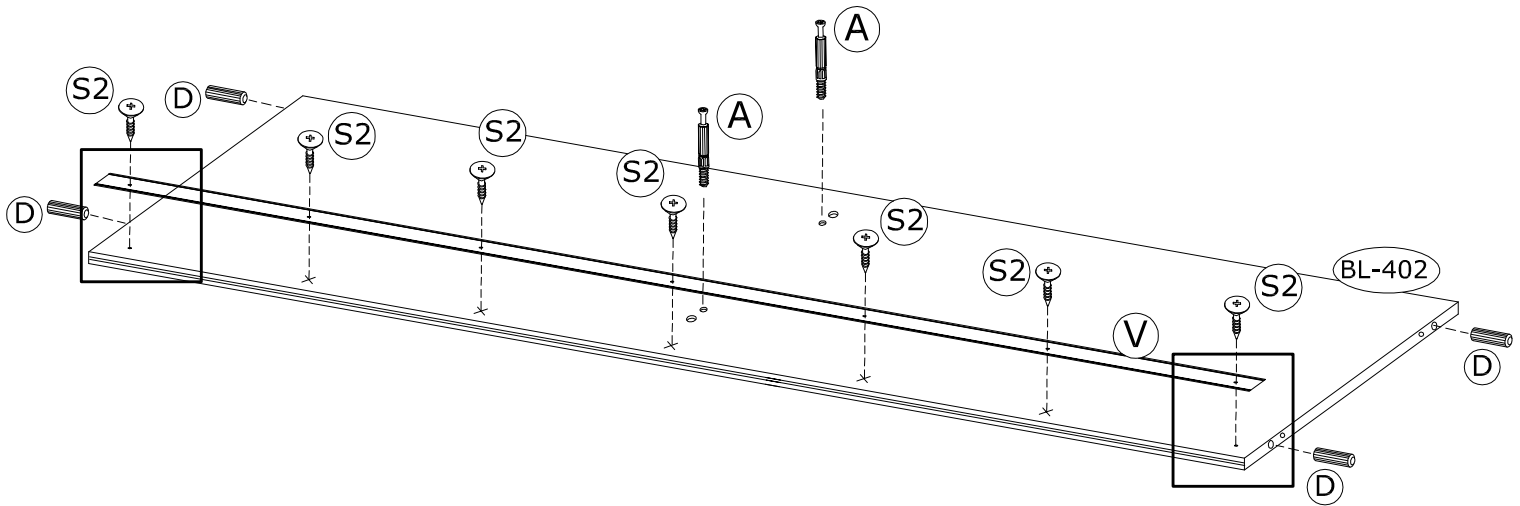
# 6.



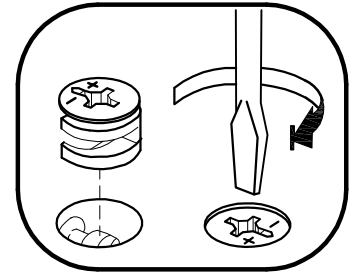
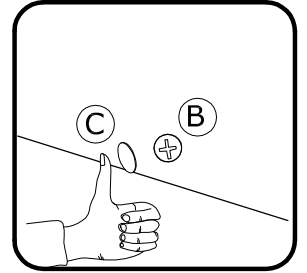
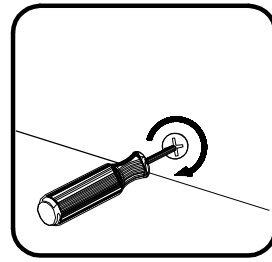
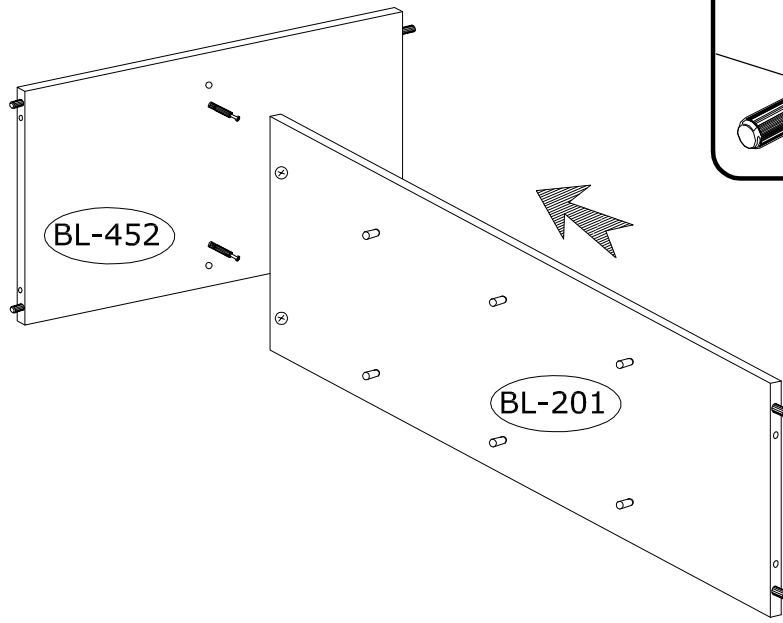
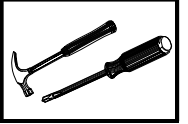
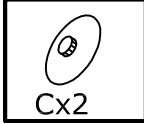
# 7.



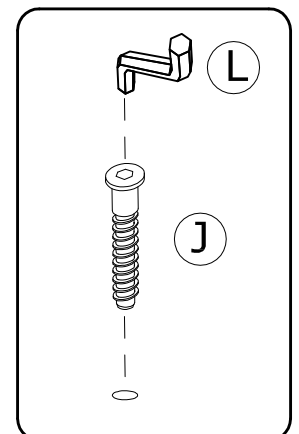
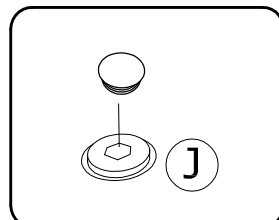
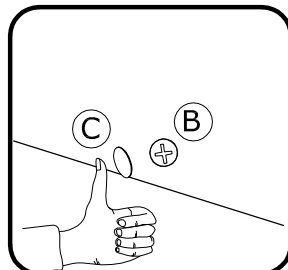
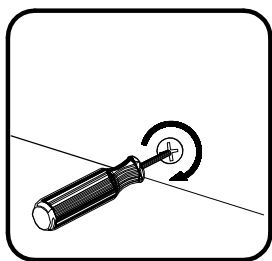
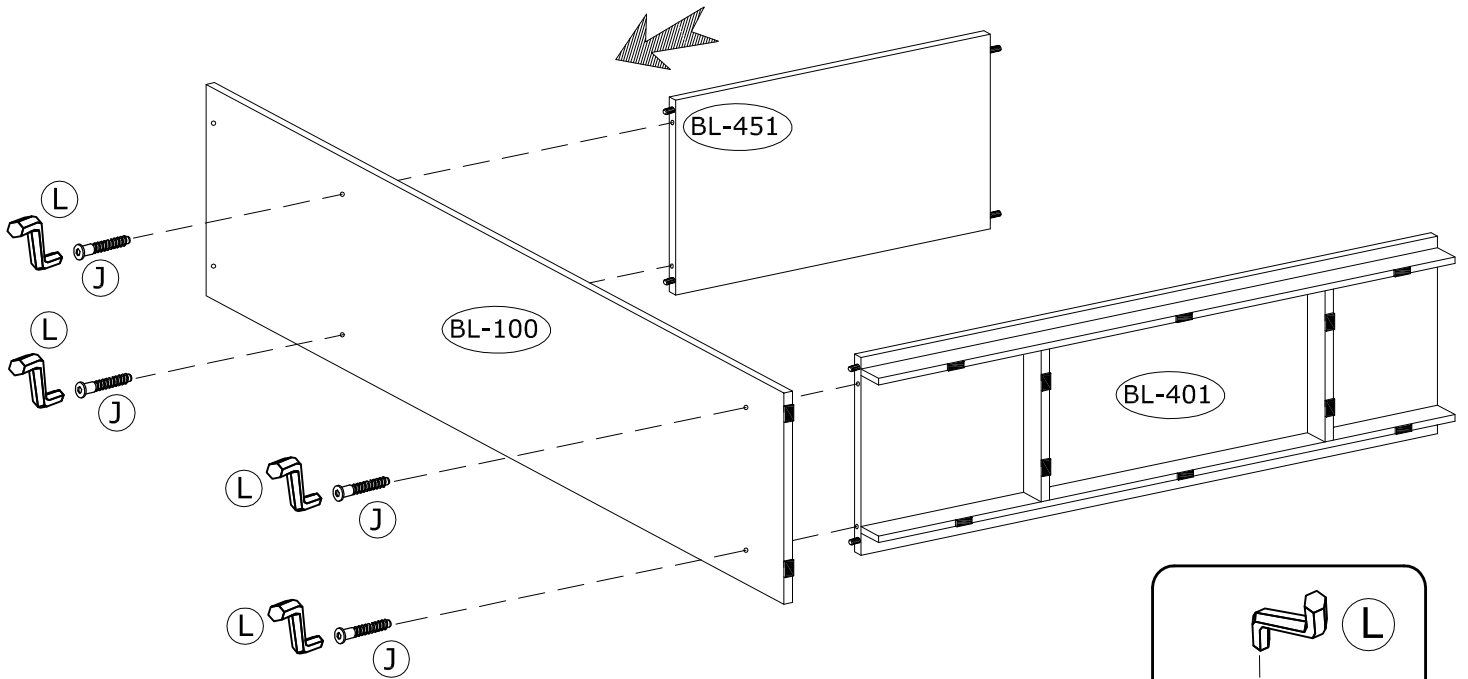
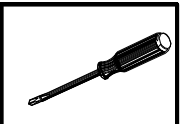
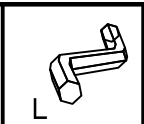
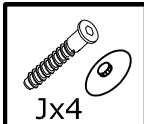
# 8.



# 9.

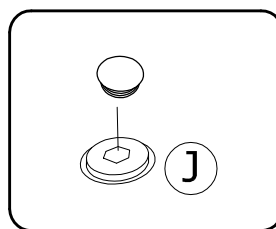
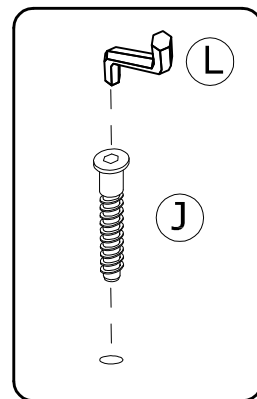
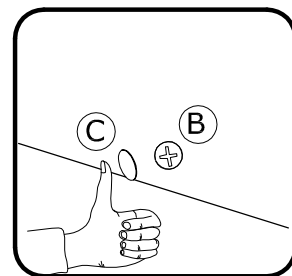
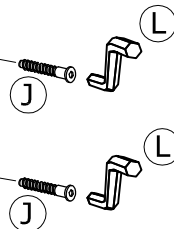
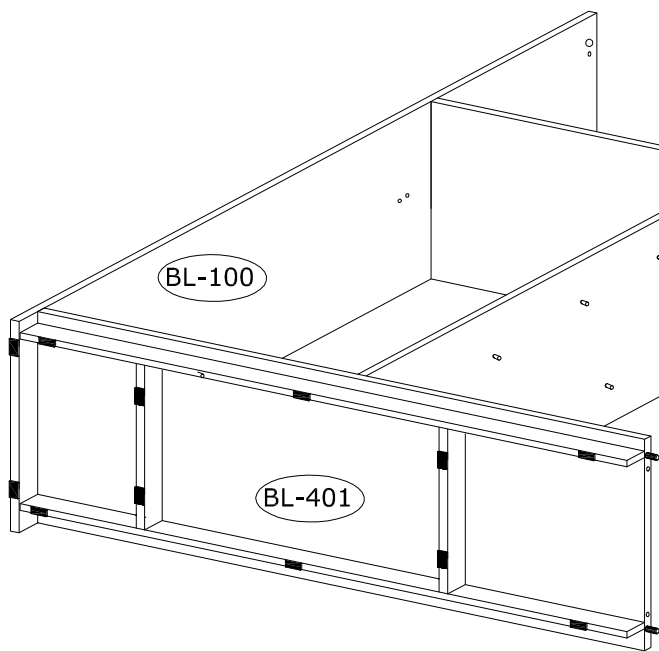
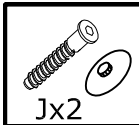


# 10.

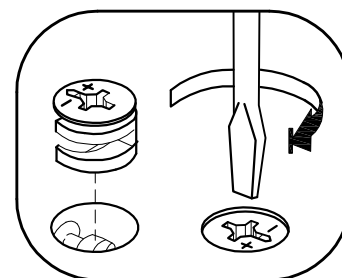
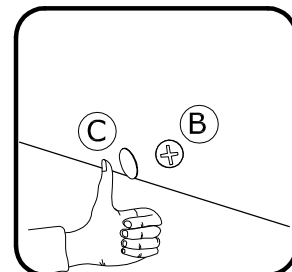
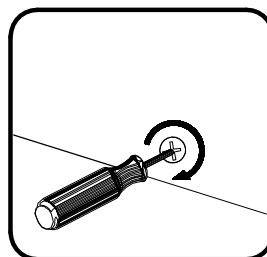
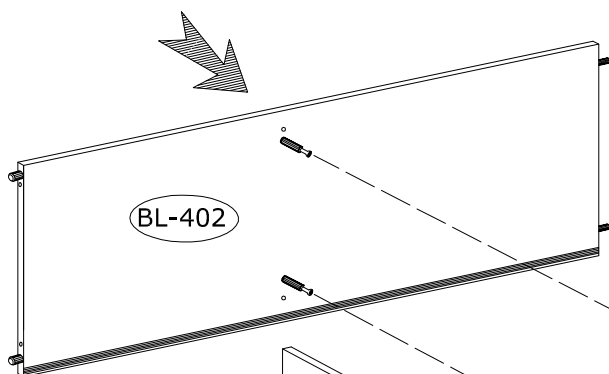
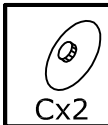




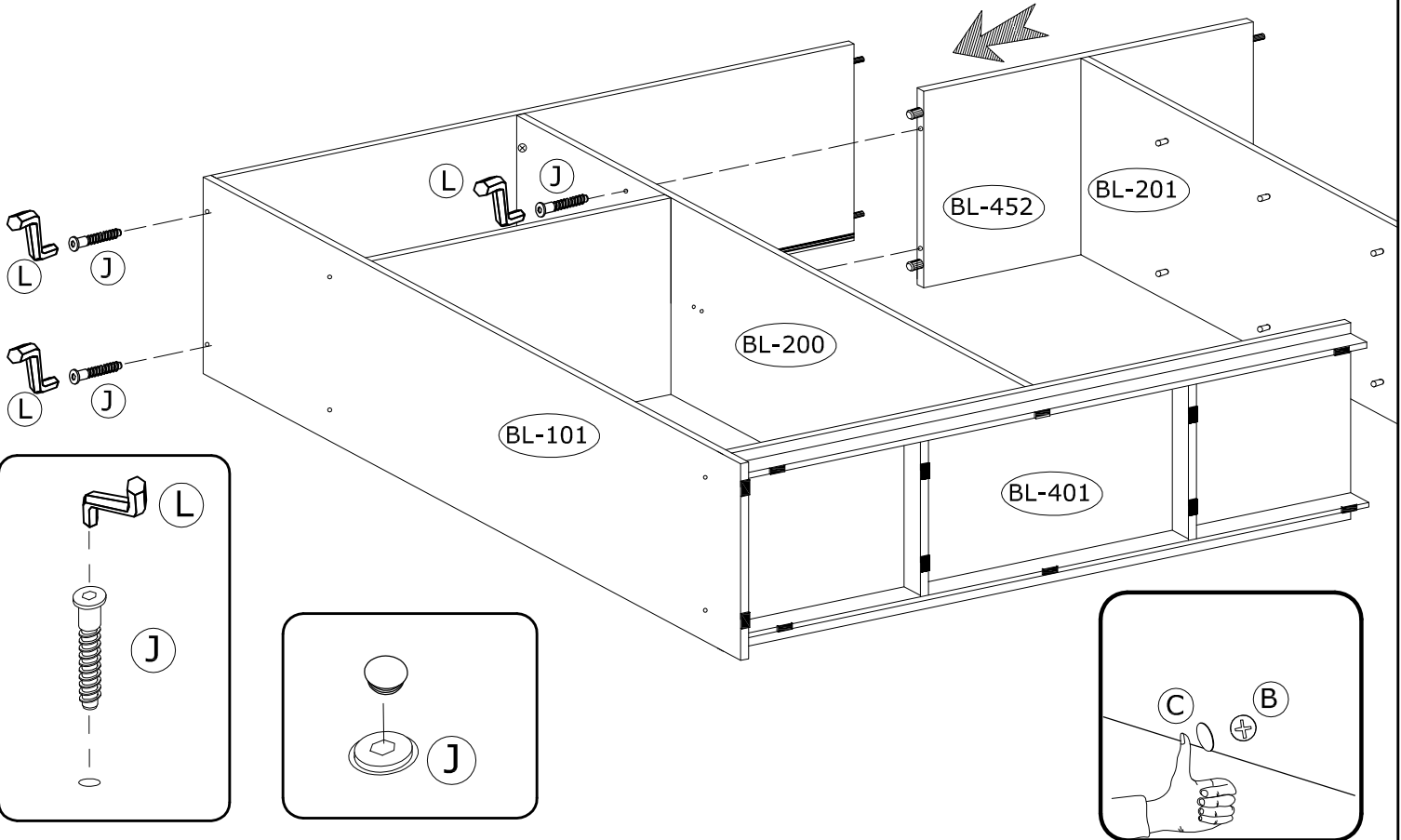
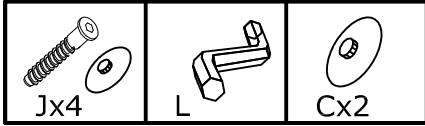
# 11.



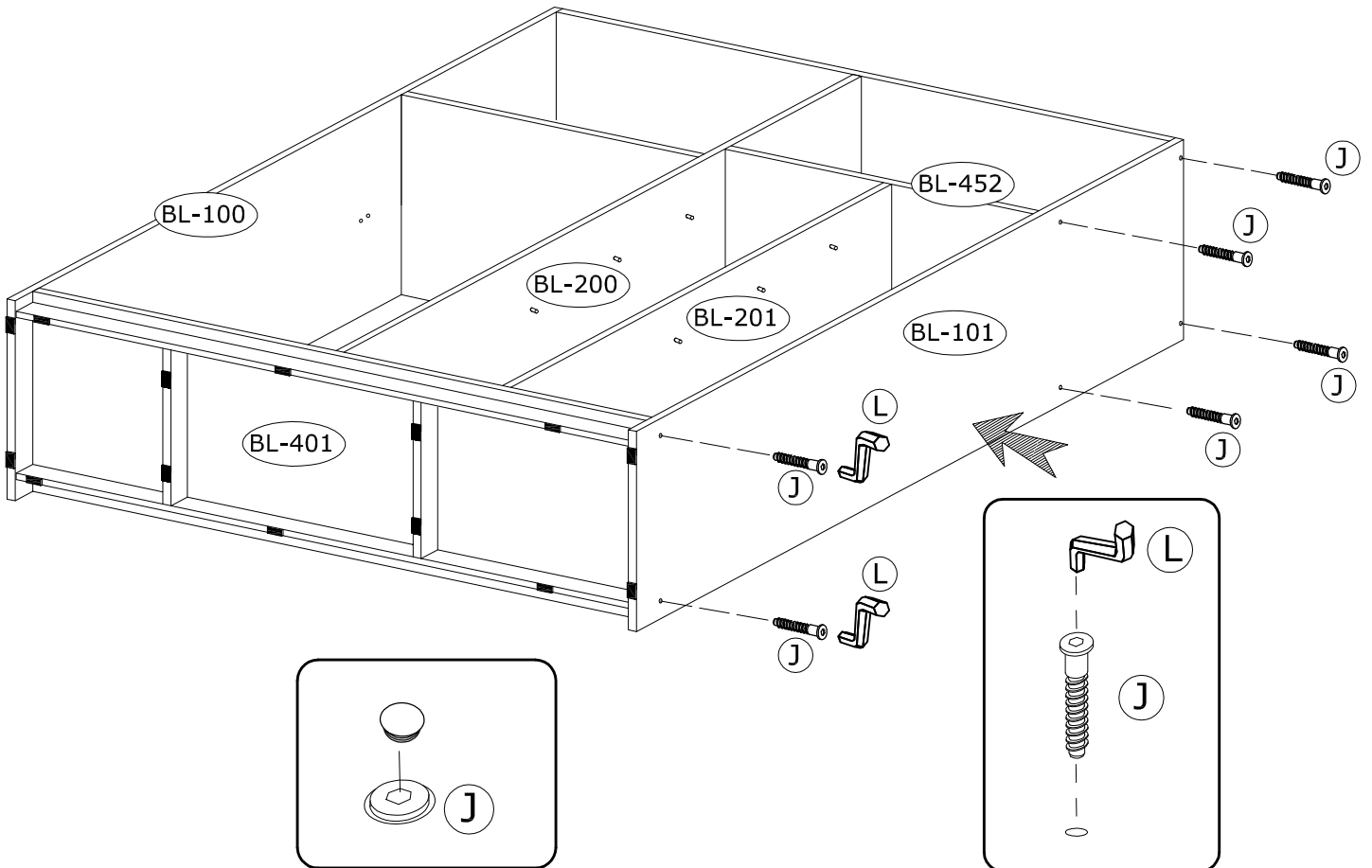
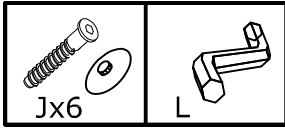
# 12.



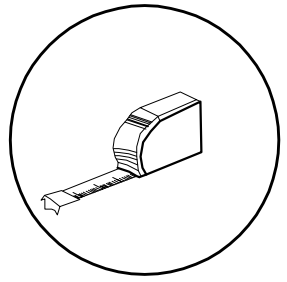
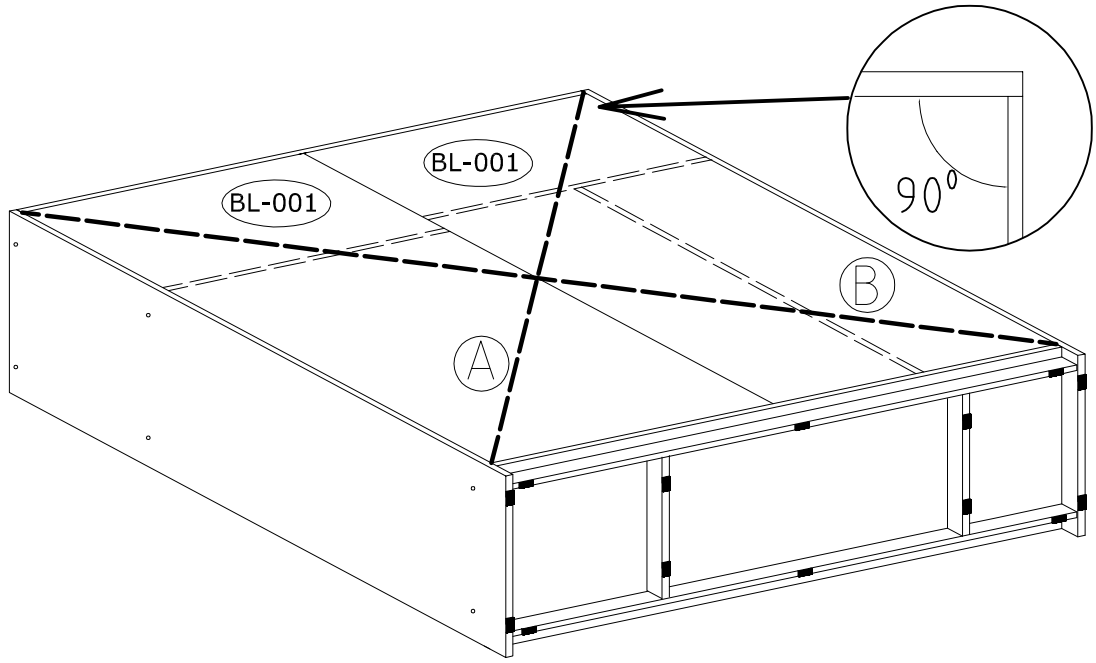
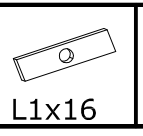
# 13.



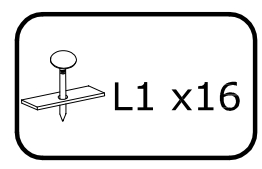
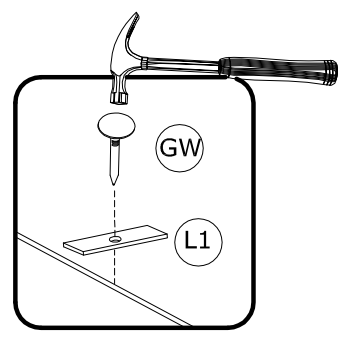
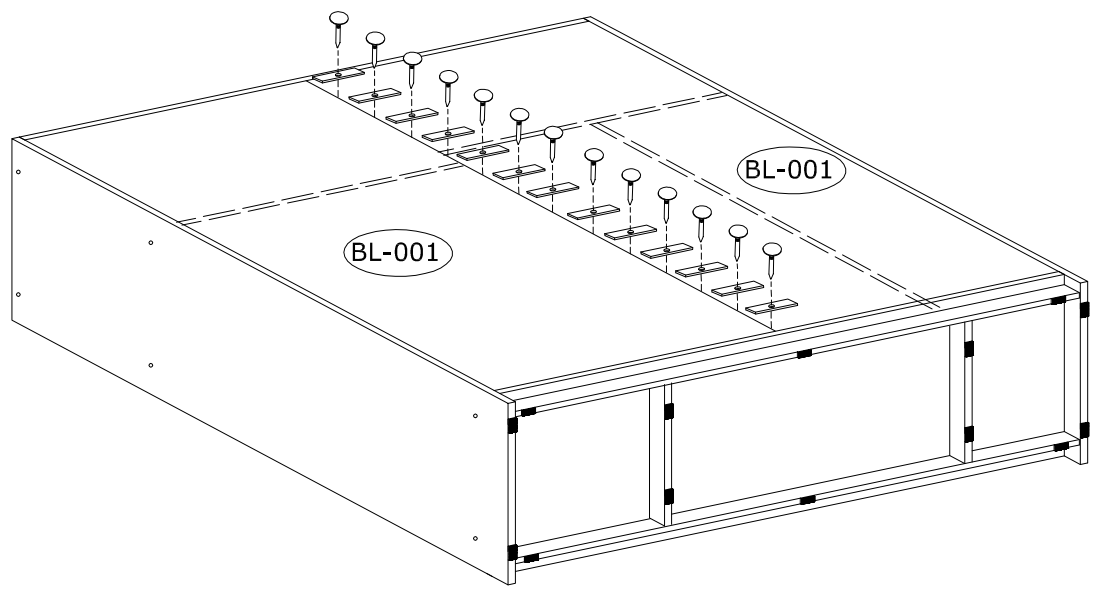
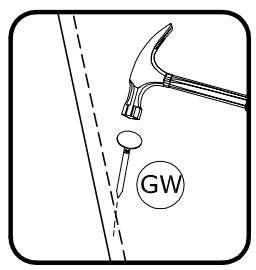
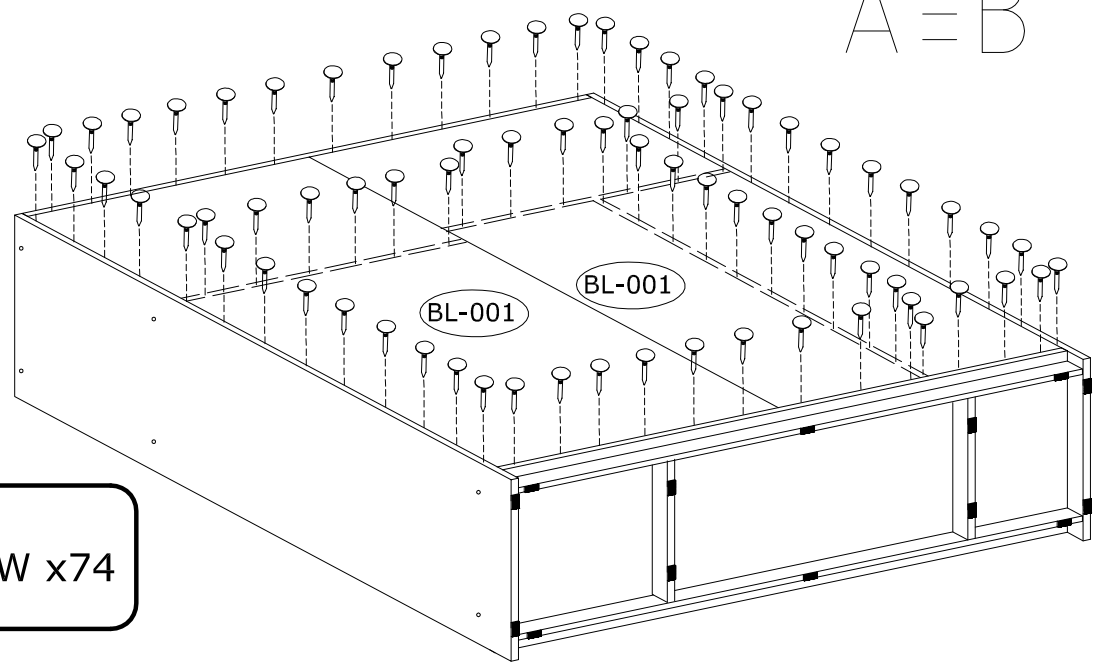
# 14.



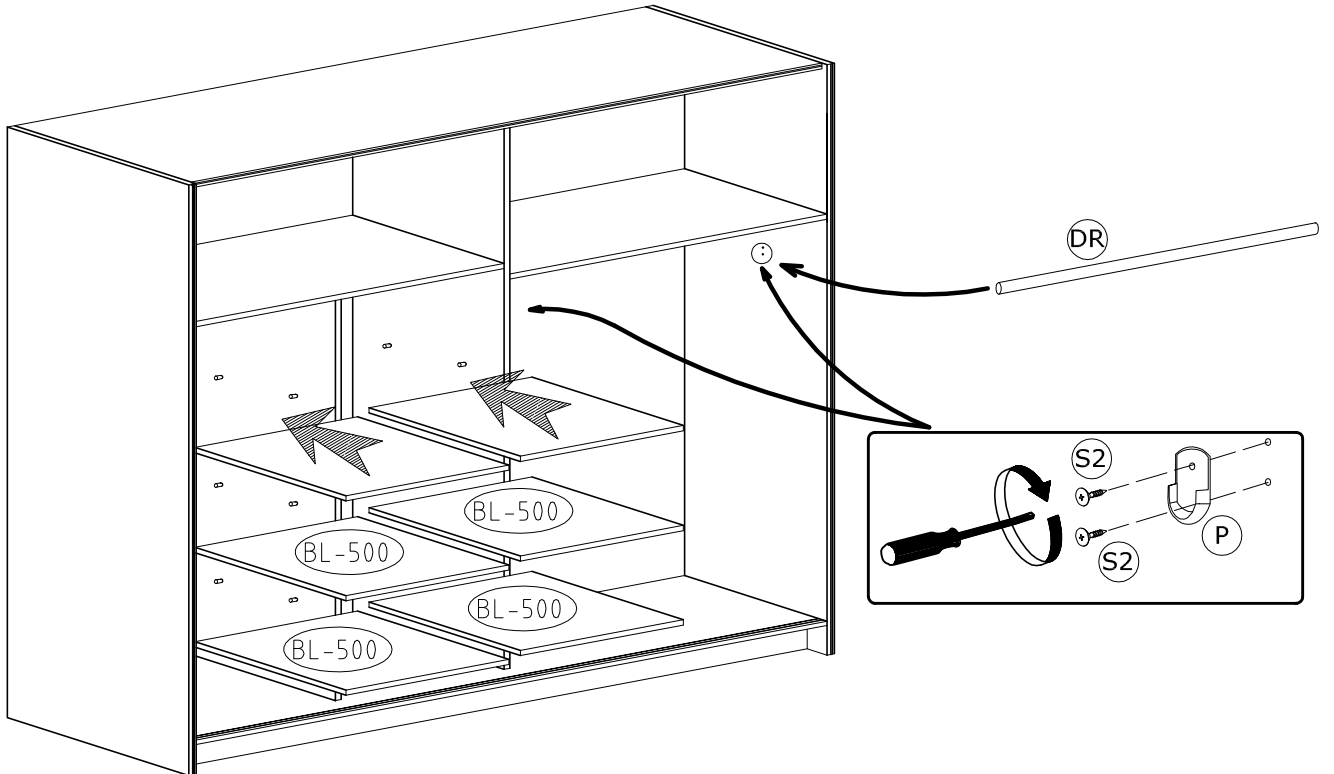
# 15.



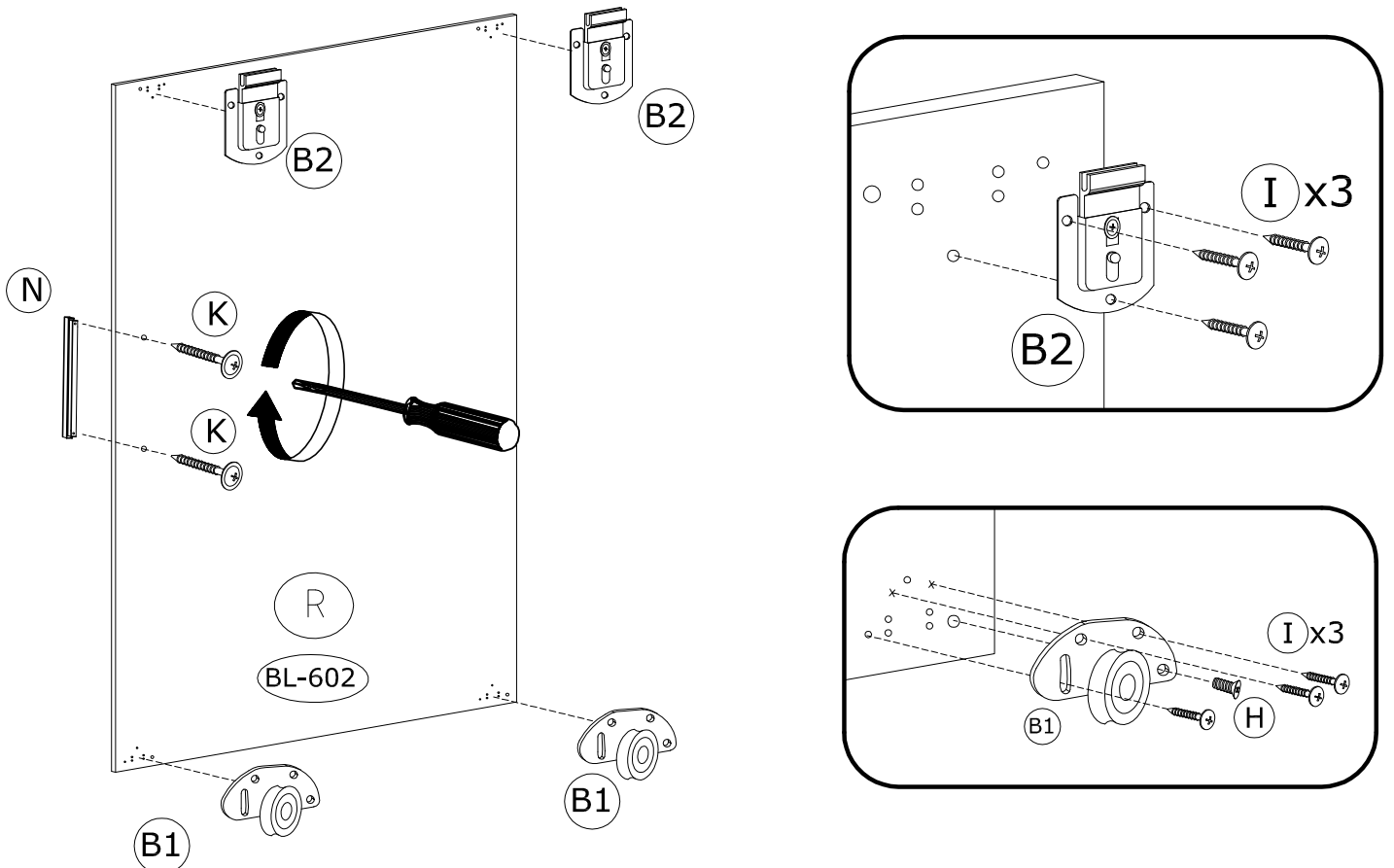
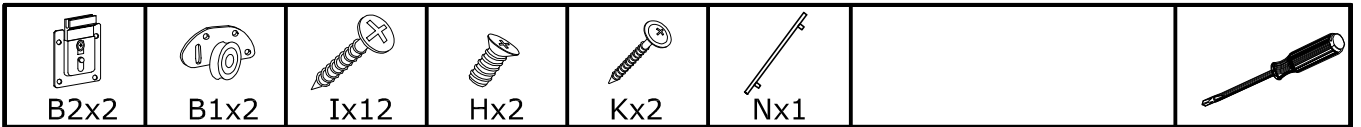
A = B



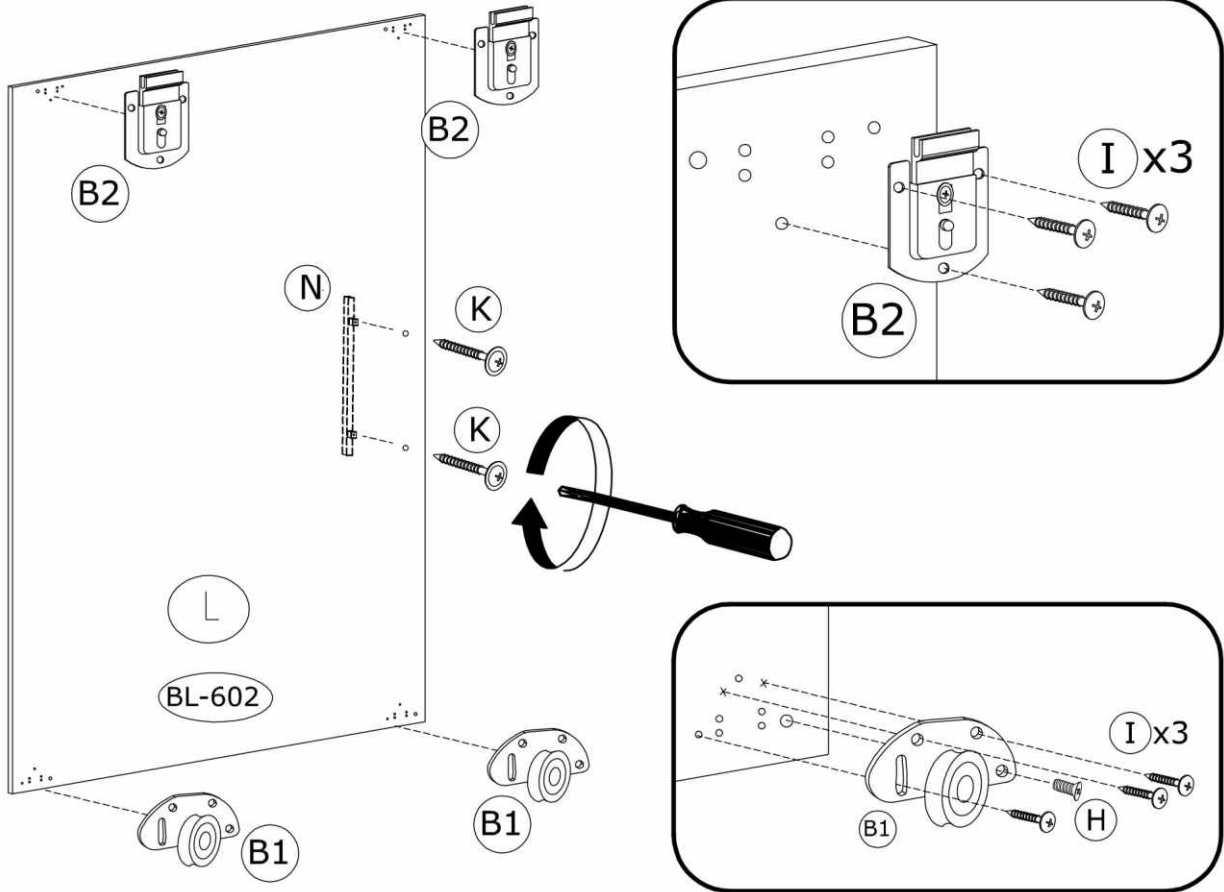
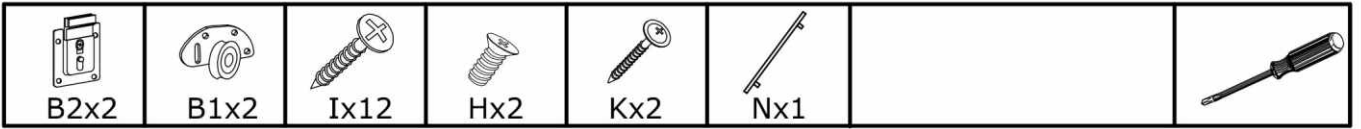
# 16.



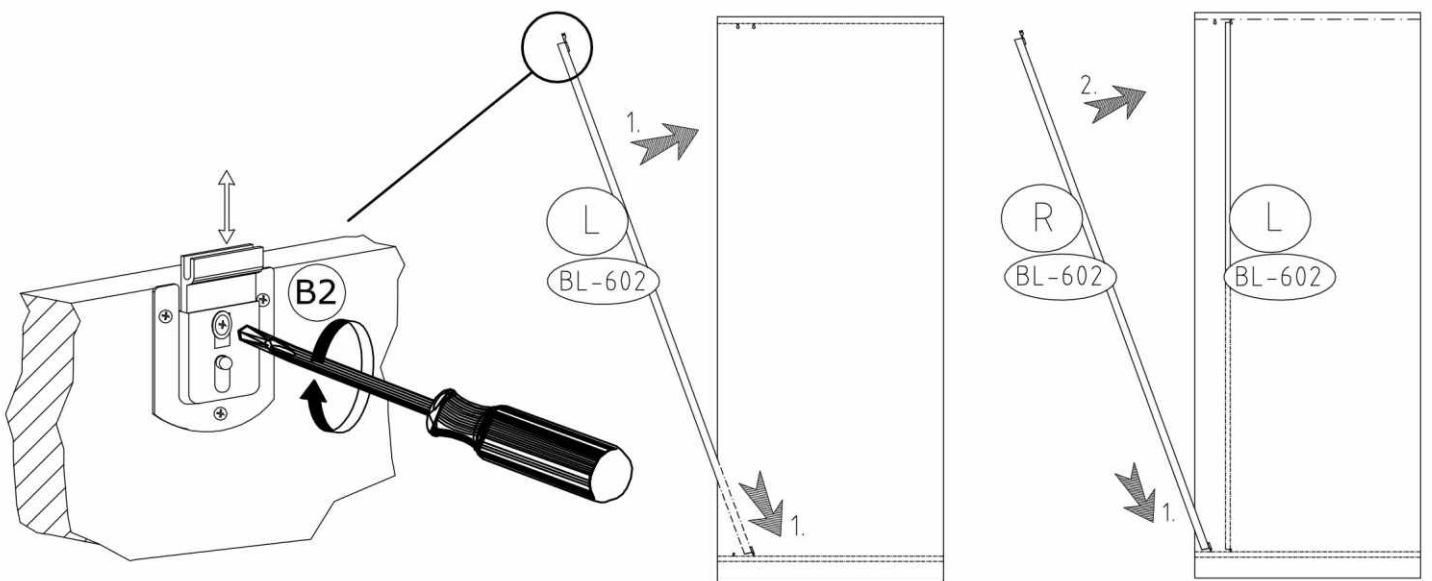
# 17.



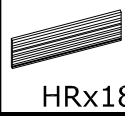
# 18.



# 19.



# 20.



HRx18



KL

