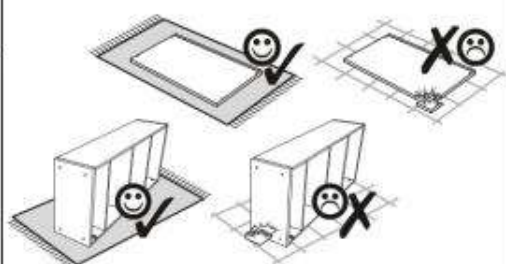
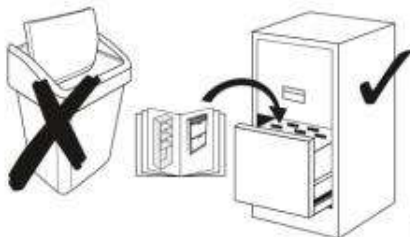
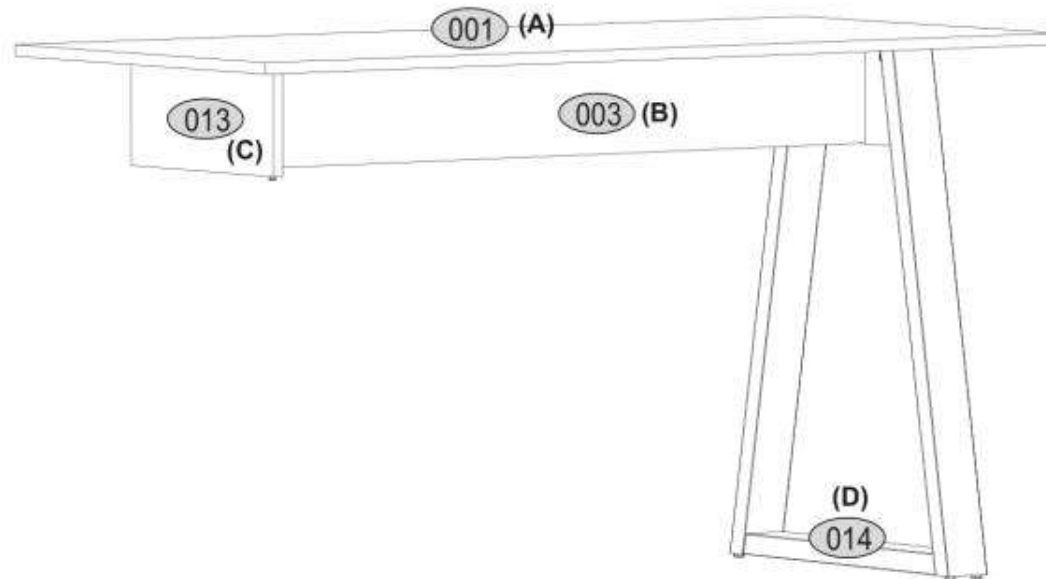




SERGIO_SERGIO XL



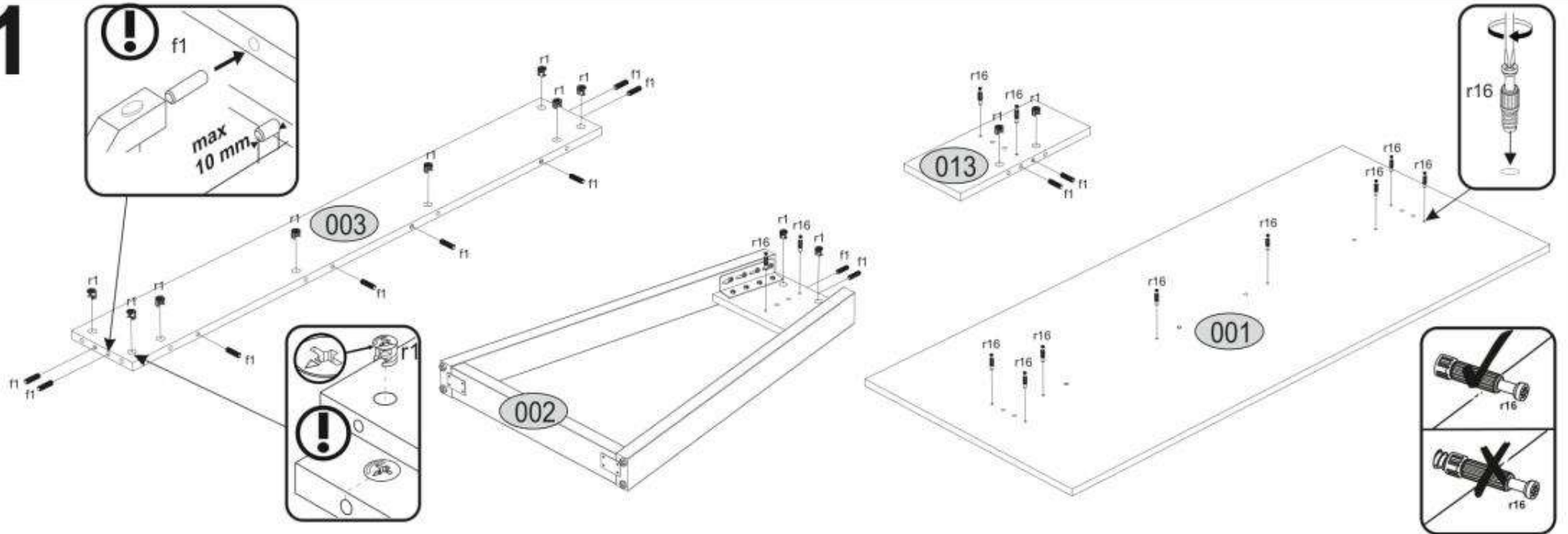
Code	Dimensions				Package
001 (A)	1380	600	16	1	1/2
003 (B)	149	1136	16	1	1/2
013 (C)	150	340	16	1	1/2
014 (D)	760	70	510	1	1/2
accessories				1	1/2

Accessories

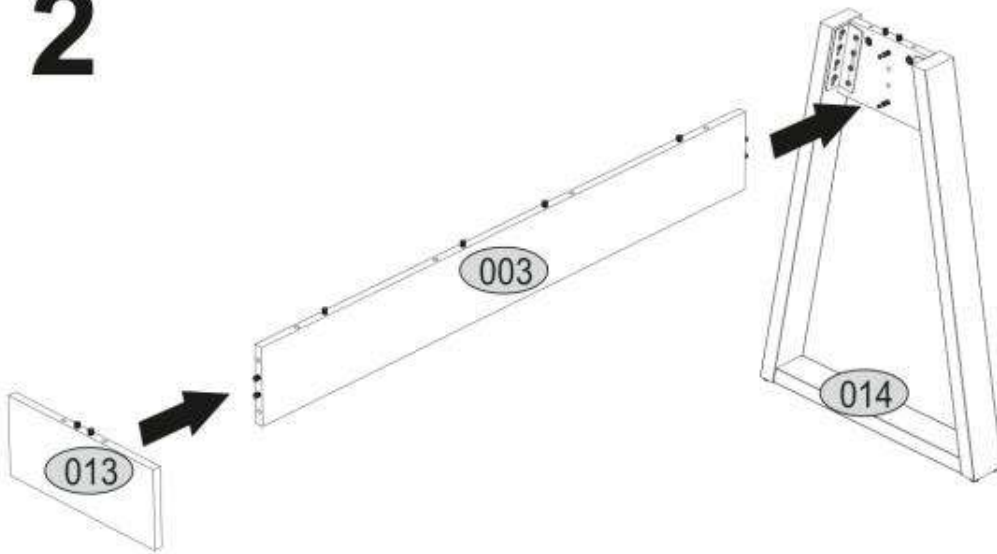
<p>x12 f1</p> <p>W</p> <p>Ø8x30mm</p> 	<p>x12 r16</p> <p>Y</p> 	<p>x12 r1</p> <p>T</p> 	<p>x12 s2</p> <p>Z1</p> 
<p>x3 e1</p> <p>U</p> <p>Ø7x50mm</p> 	<p>x3 s1</p> <p>V</p> 	<p>x1 z1</p> 	



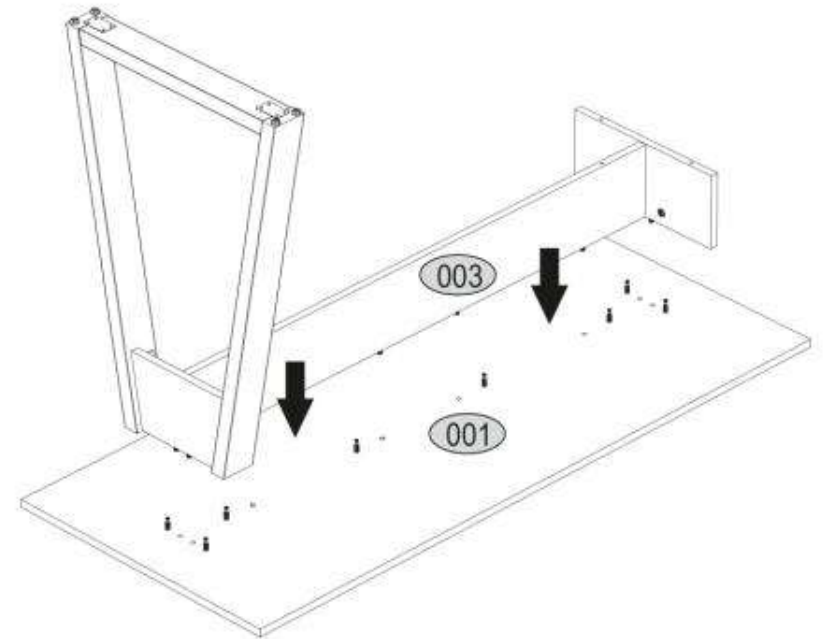
1



2

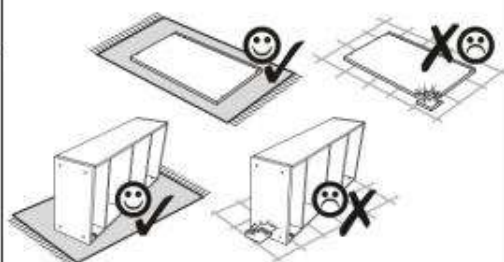
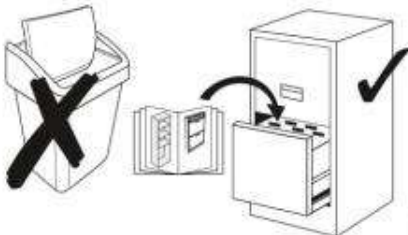
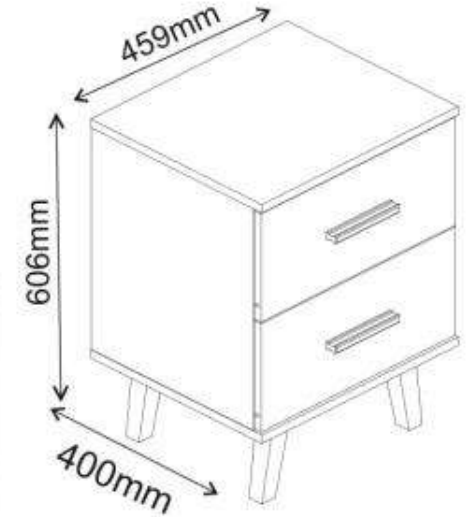
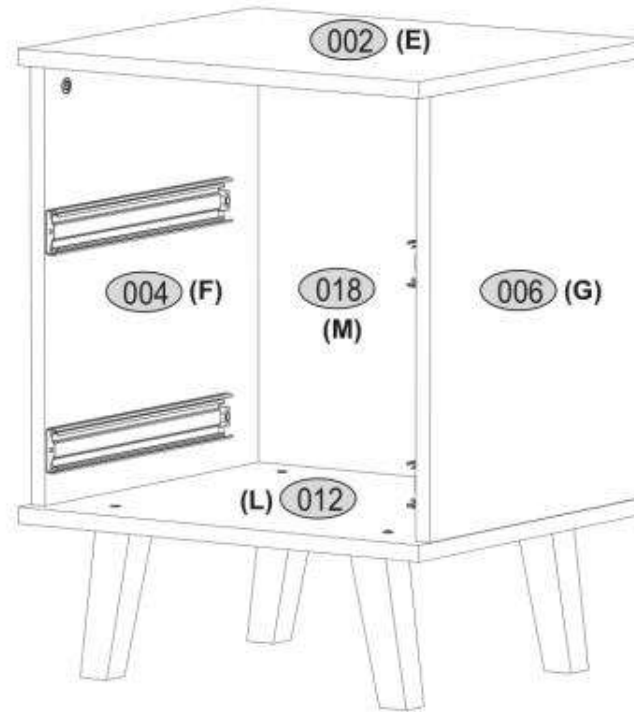
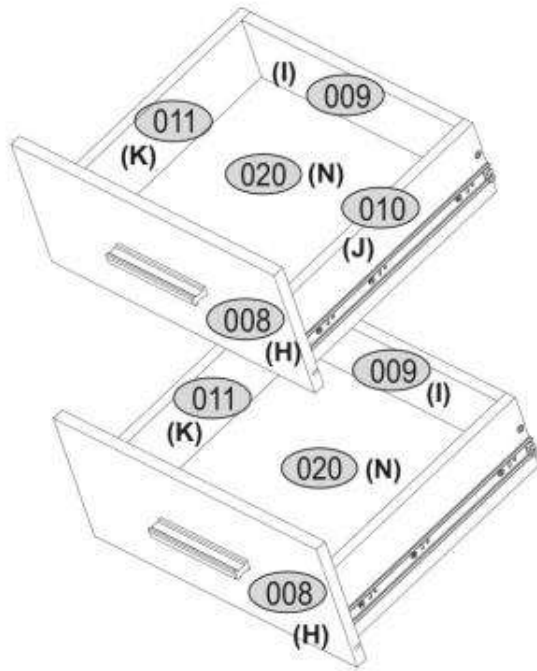


3

















SERGIO



Code	Dimensions			Package	
002 (E)	459	400	16	1	2/2
004 (F)	424	380	16	1	2/2
006 (G)	424	380	16	1	2/2
008 (H)	454	207	16	2	2/2
009 (I)	368	120	16	2	2/2
010 (J)	350	120	16	2	2/2
011 (K)	350	120	16	2	2/2
012 (L)	459	400	16	1	2/2
018 (M)	424	425	16	1	2/2
020 (N)	352	386	3	2	2/2
accessories				2	2/2

Accessories:

x2 lb-350 	R	x2 c57 	S	x8 r1 	T	x12 e1 Ø7x50mm 	U
x12 s1 	V	x32 f1 Ø8x30mm 	W	x4 p9 	X	x1 z1 	
x8 r16 	Y	x24 p25 	Z	x8 s2 	Z1	x4 k88 	Q



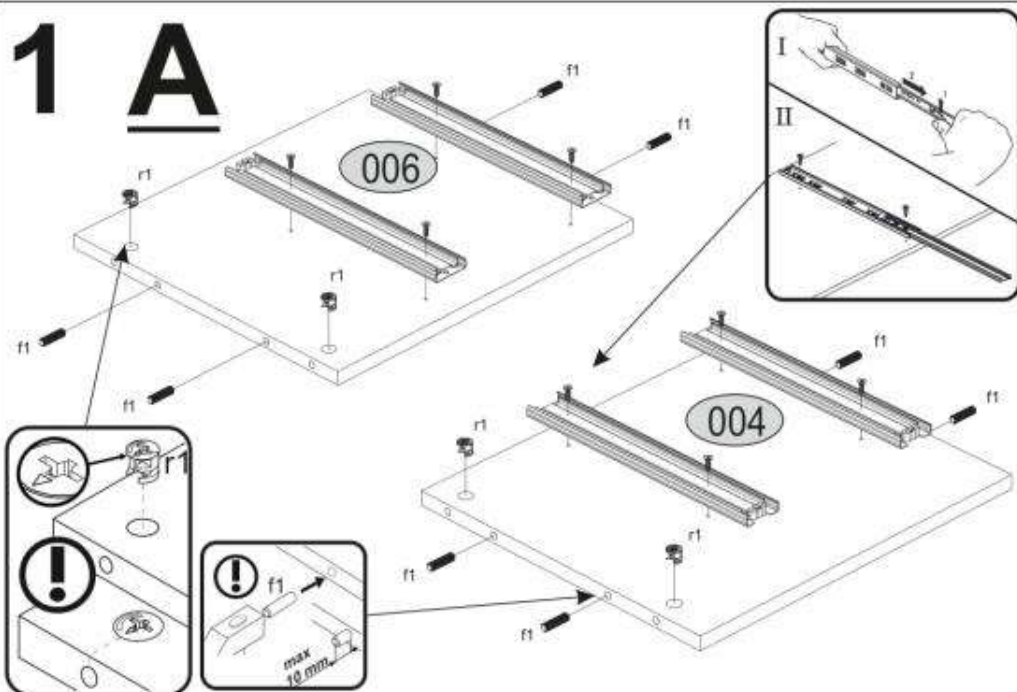
A



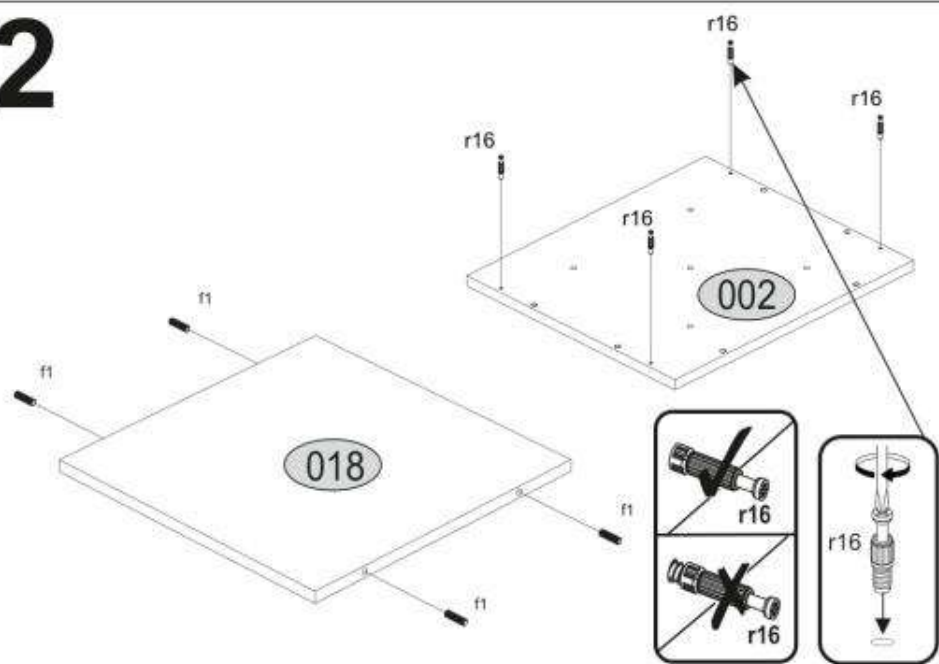
B



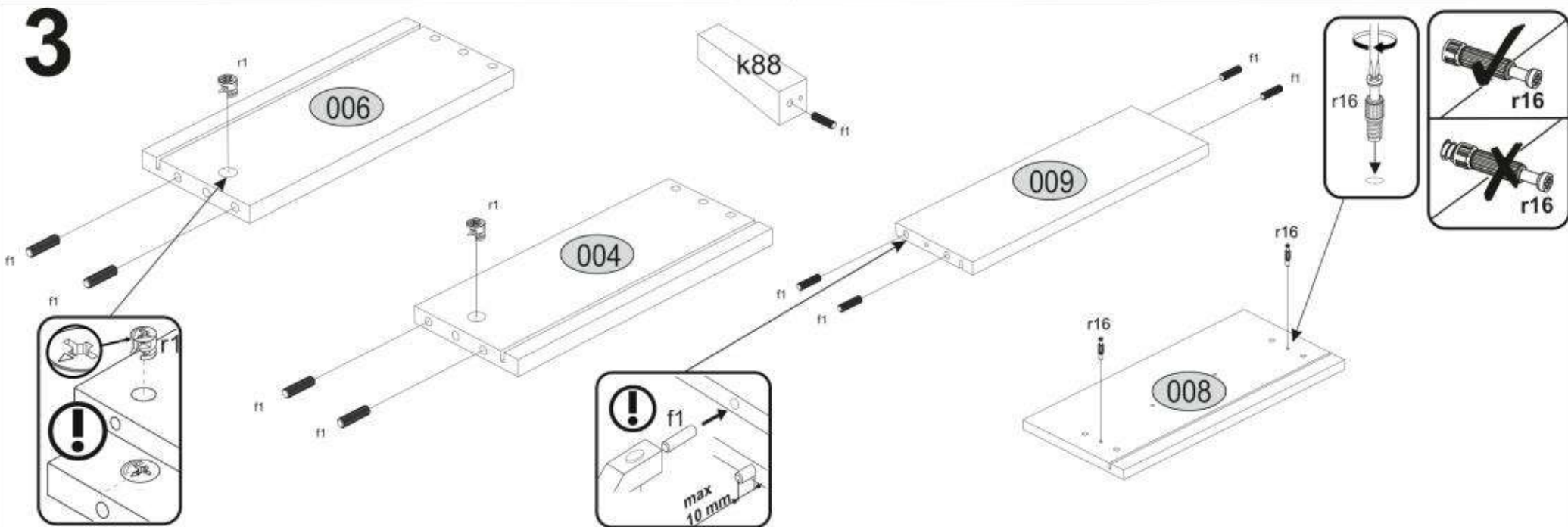
1 A

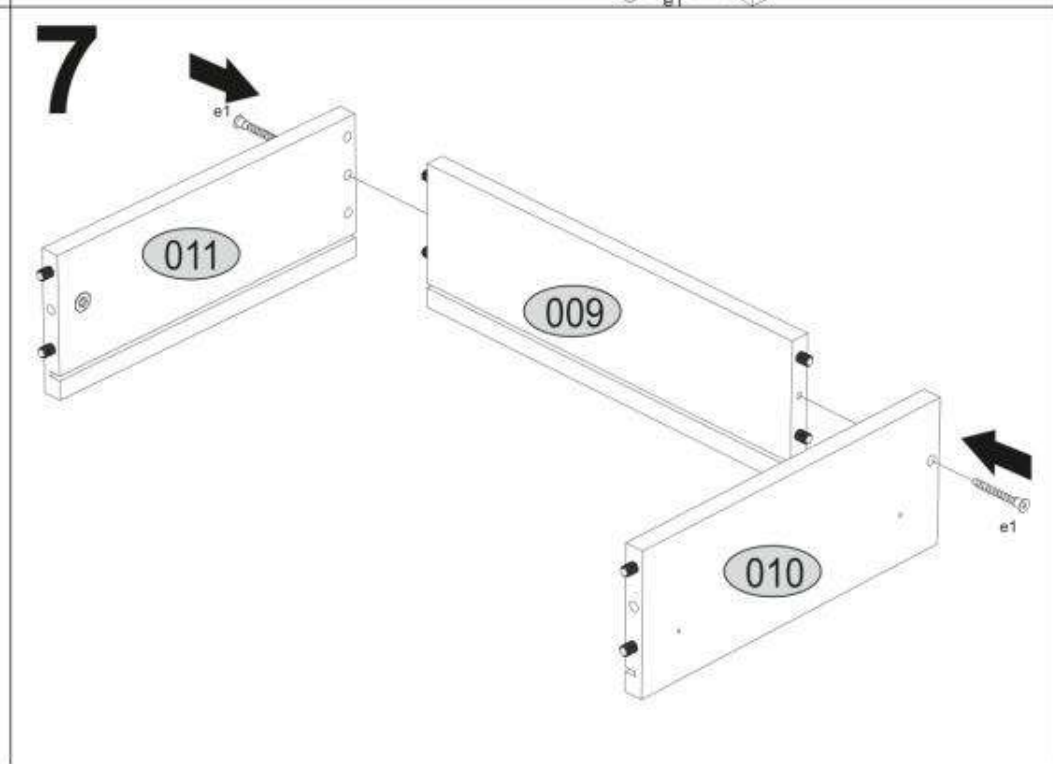
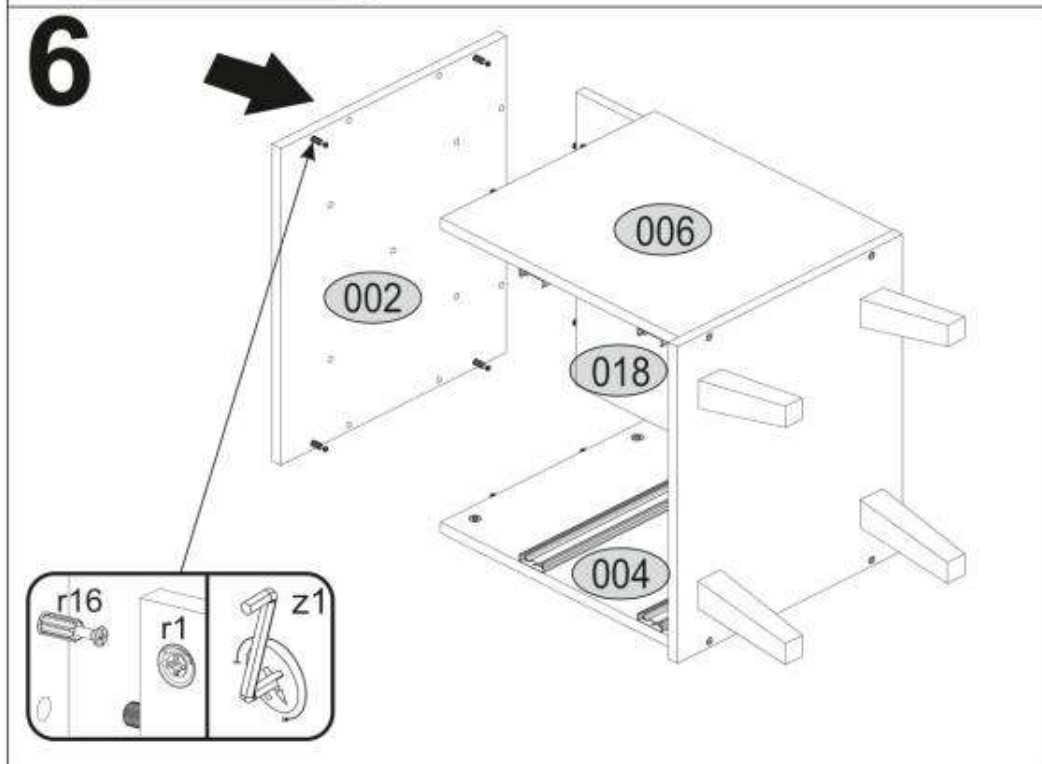
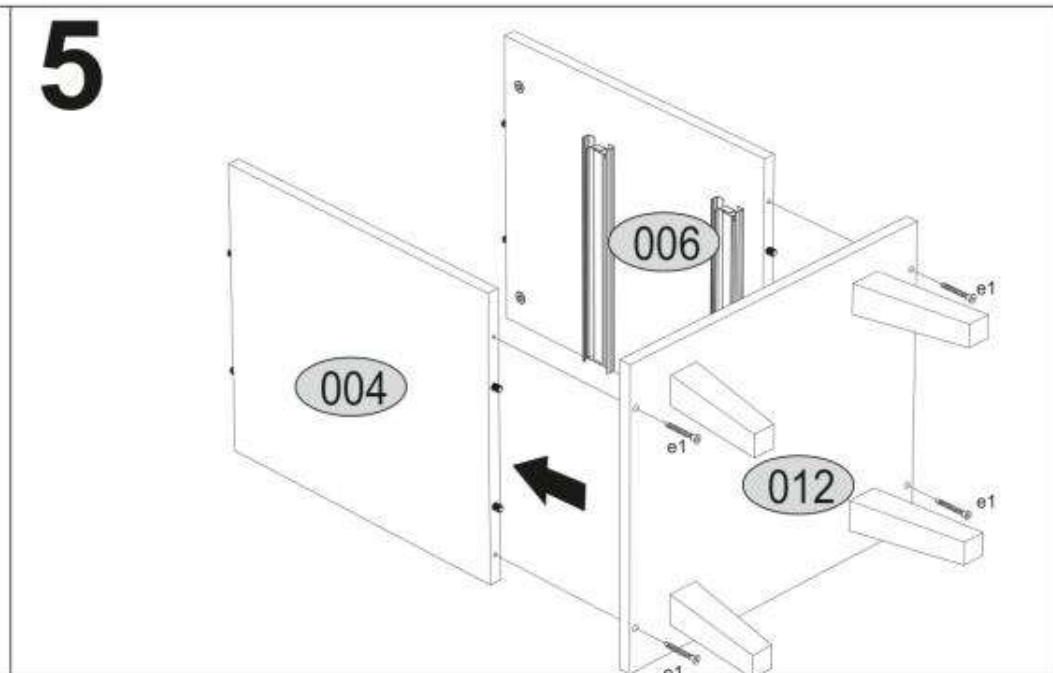
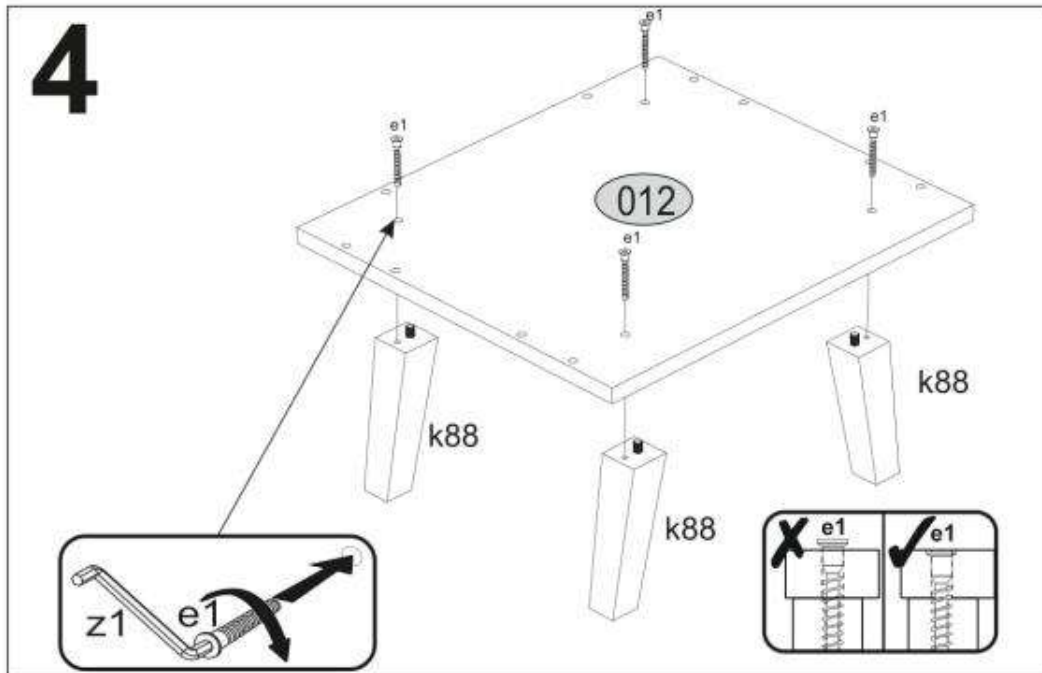


2

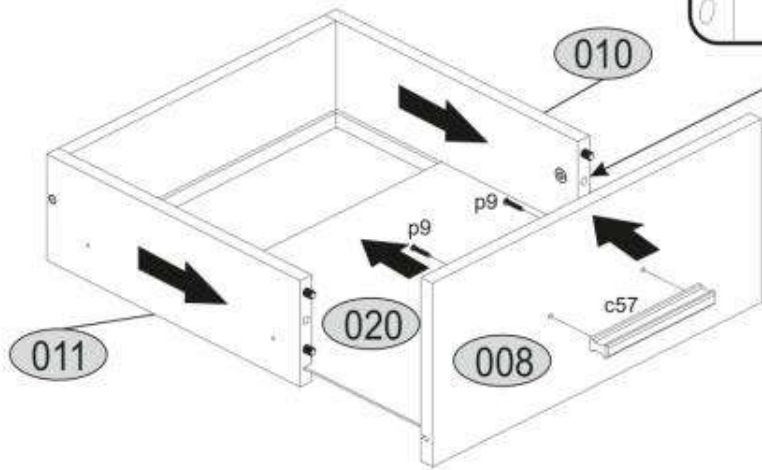
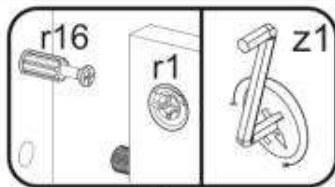


3

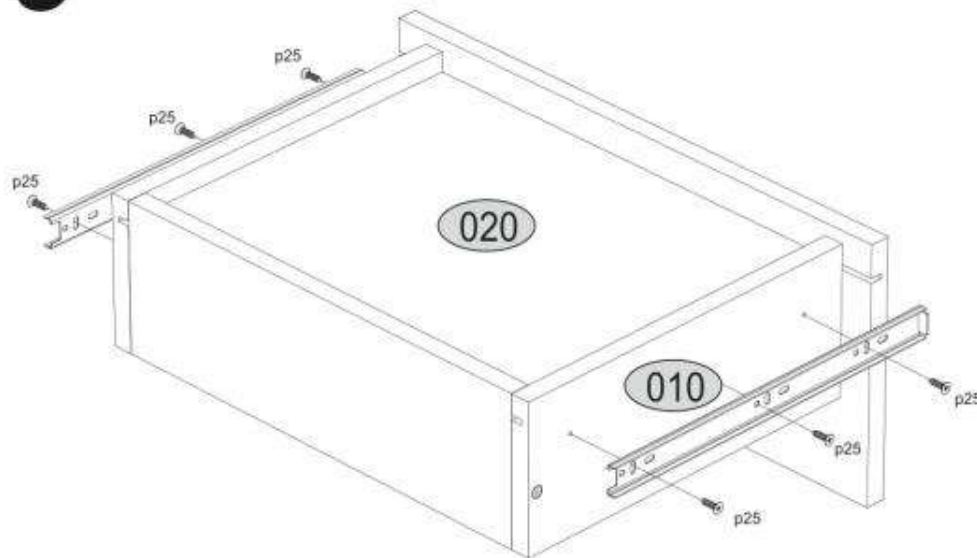




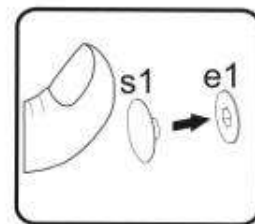
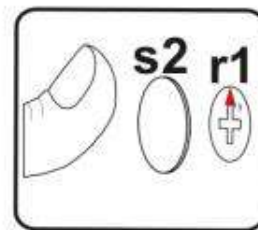
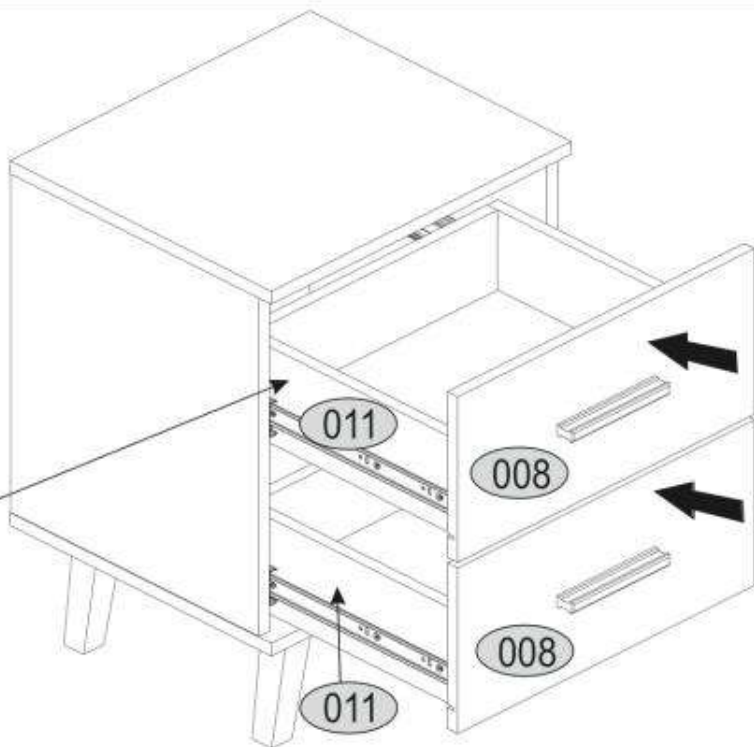
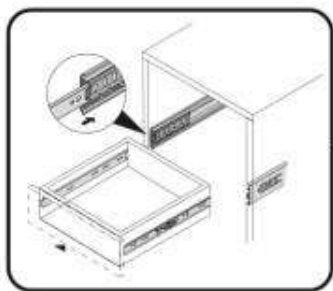
8



9

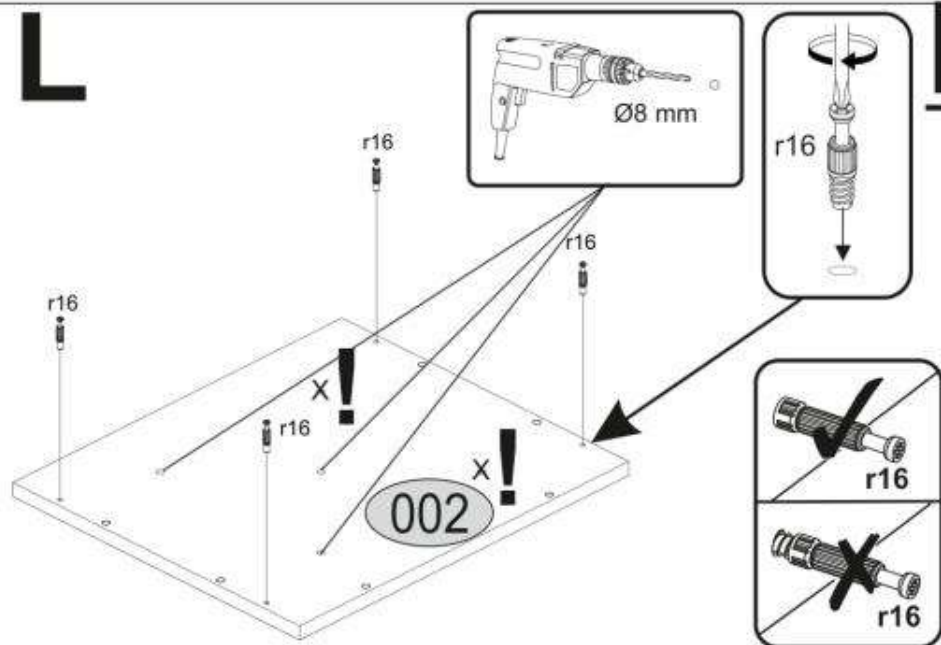


10

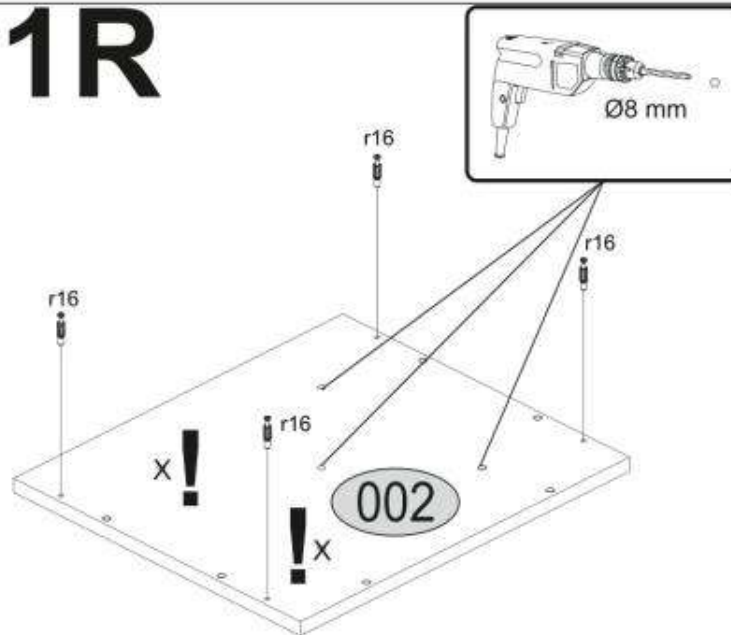


NOWOŚĆ

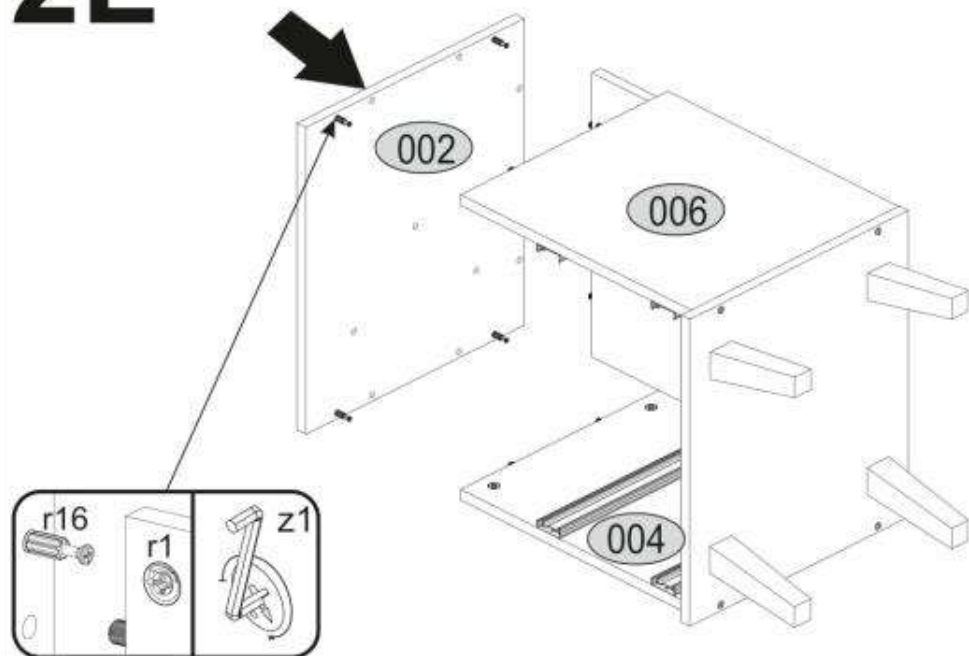
1L



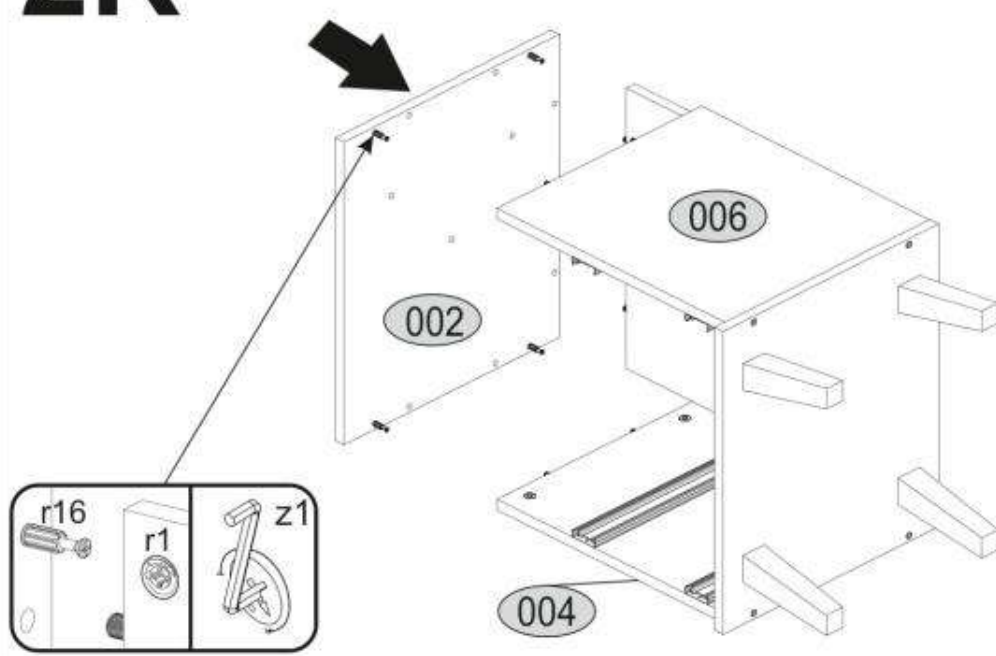
B 1R



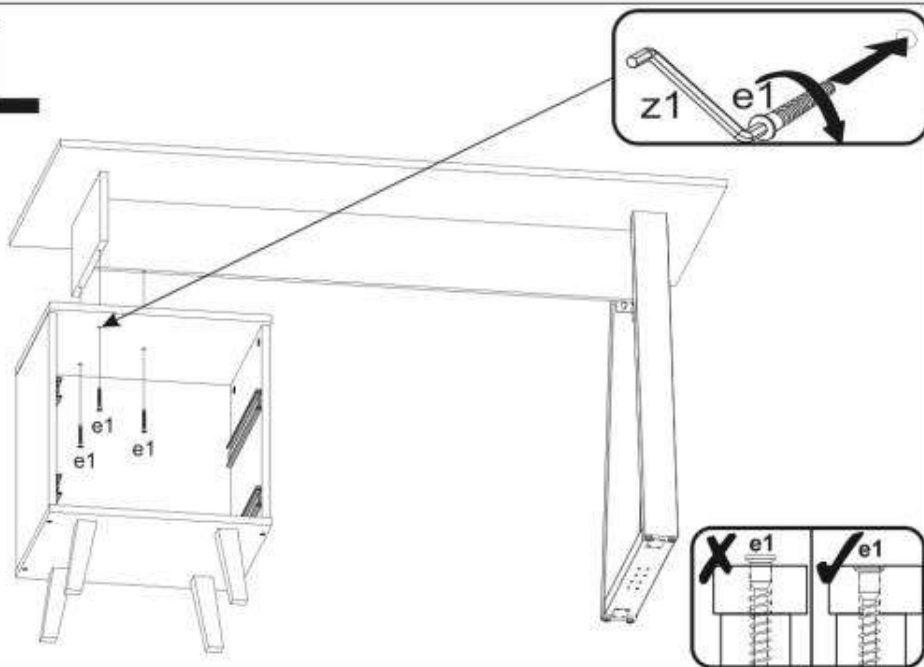
2L



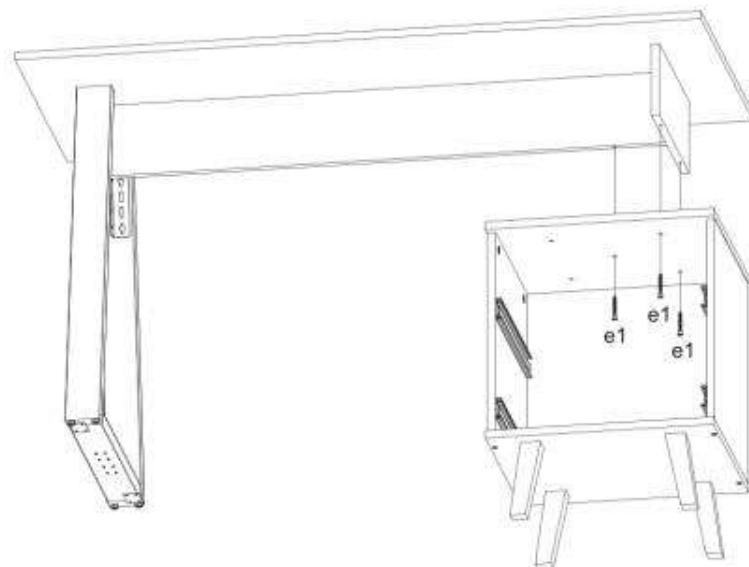
2R



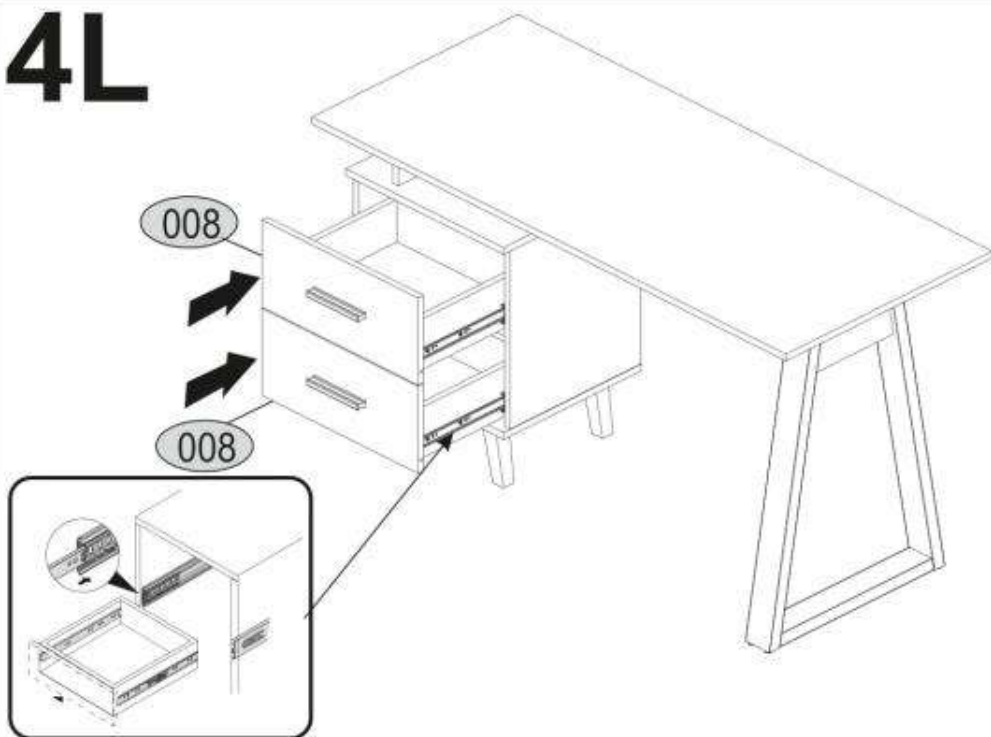
3L



3R



4L



4R

