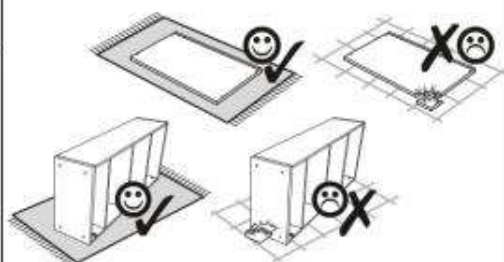
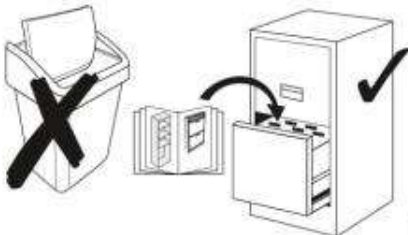
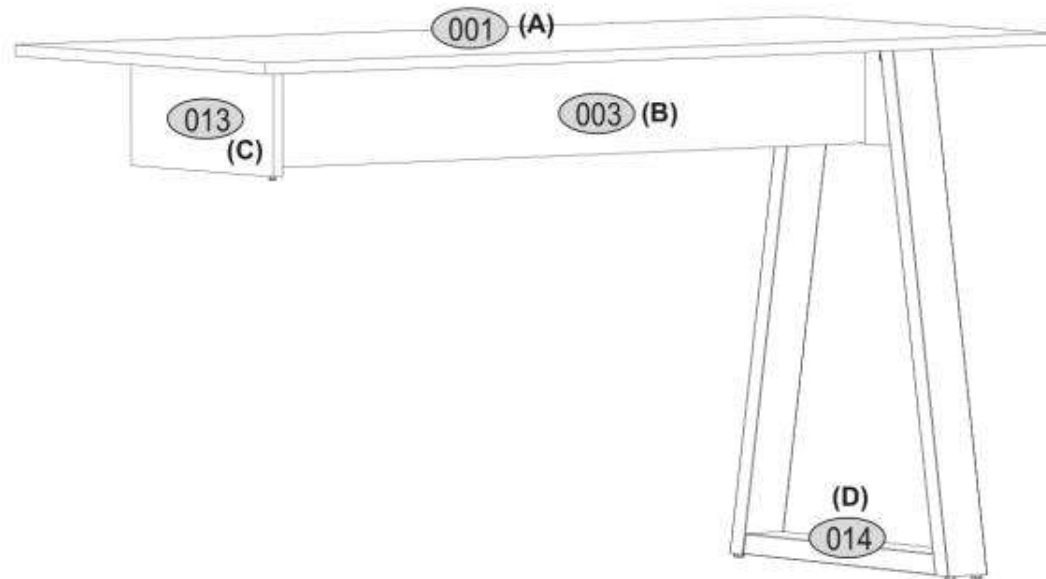
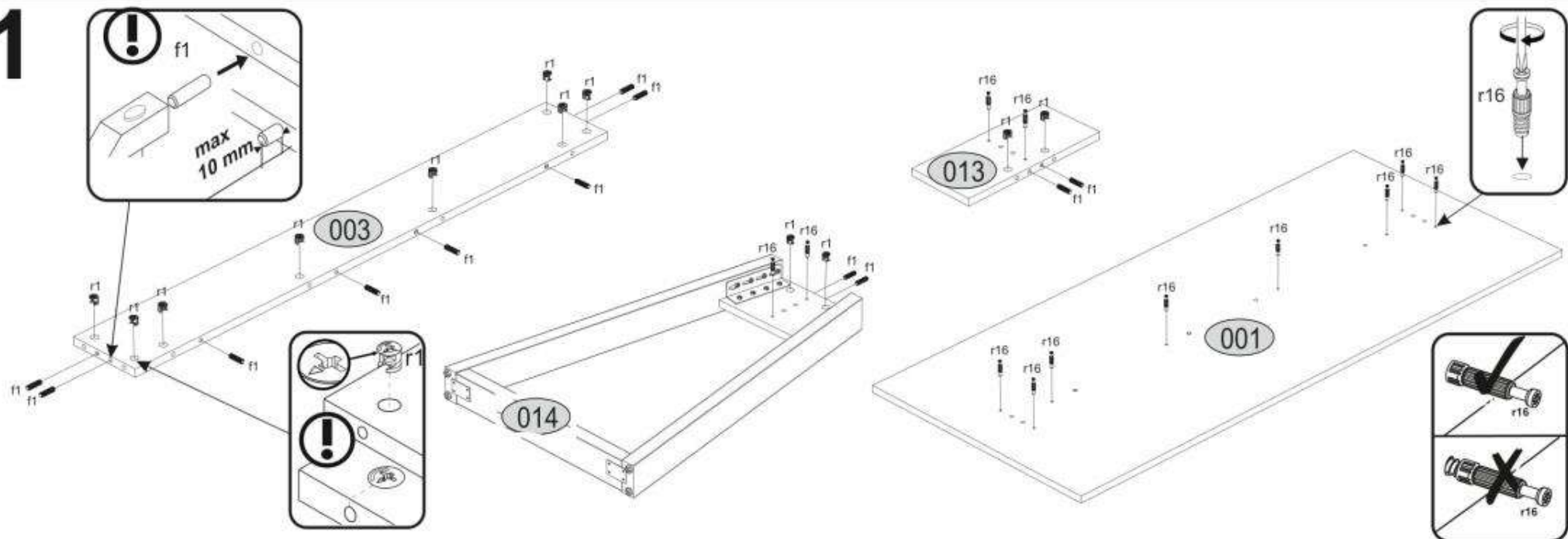
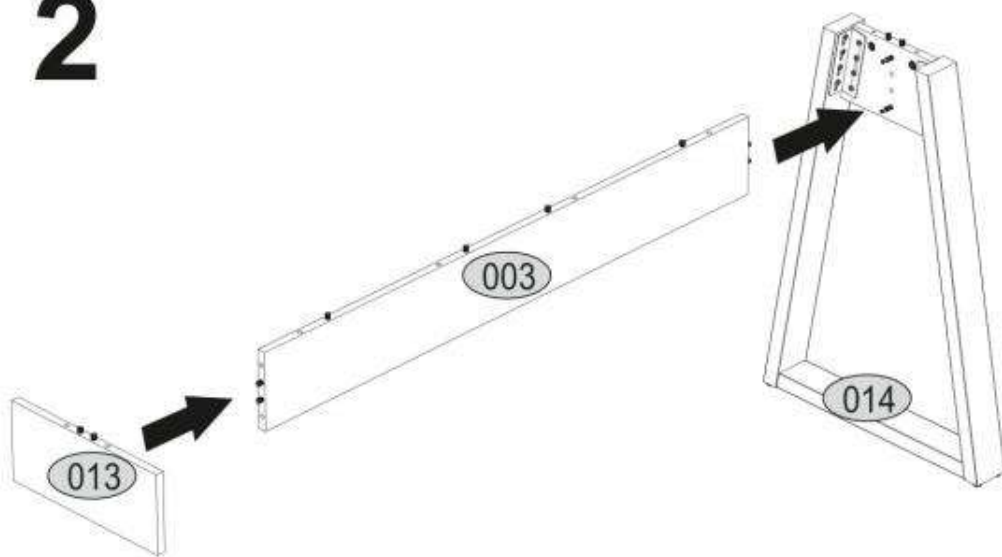
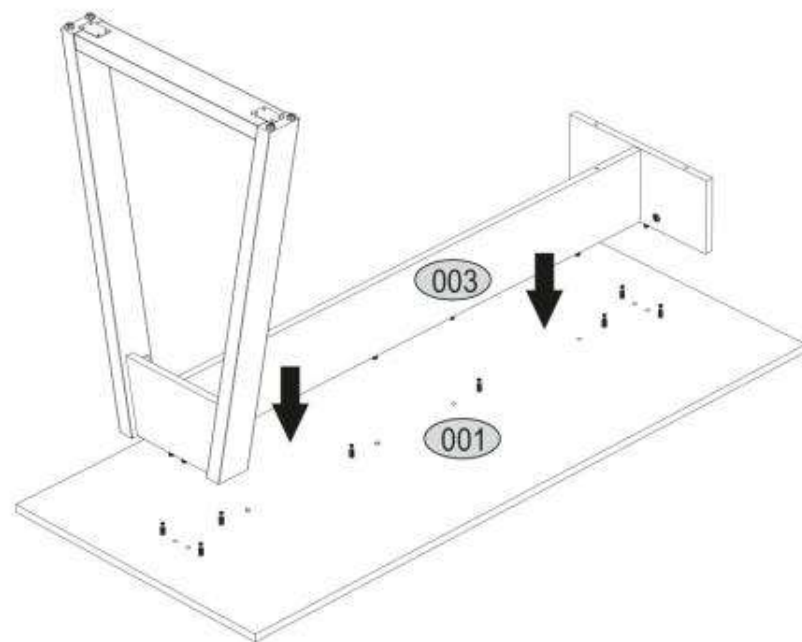




# SERGIO\_SERGIO XL

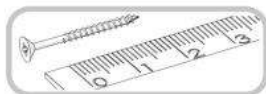


Code	Dimensions				Package
001 (A)	1380	600	16	1	1/2
003 (B)	149	1136	16	1	1/2
013 (C)	150	340	16	1	1/2
014 (D)	760	70	510	1	1/2
accessories				1	1/2

**1****2****3**

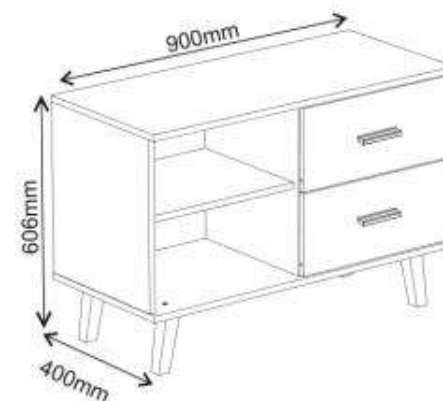
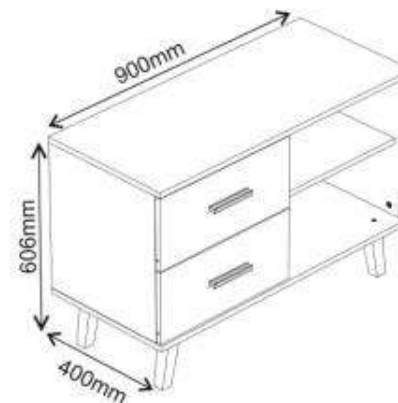
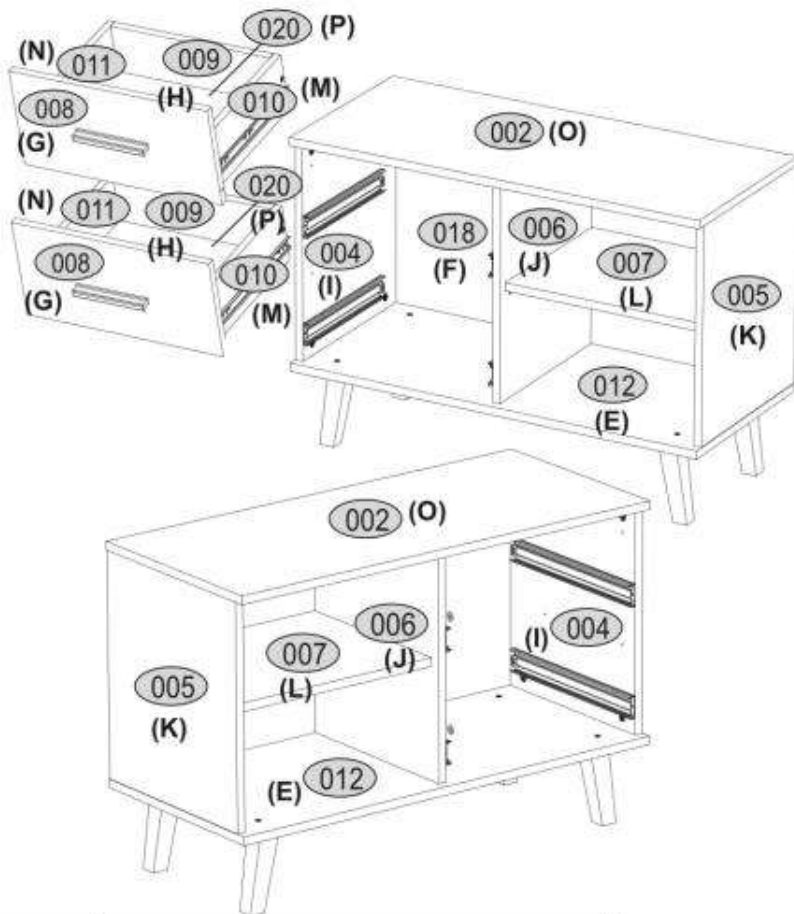
# Accessories

<p>x12 f1 Ø8x30mm</p>  <p>W</p>	<p>x12 r16</p>  <p>Y</p>	<p>x12 r1</p>  <p>T</p>	<p>x12 s2 Z1</p> 
<p>x3 e1 Ø7x50mm</p>  <p>X</p>	<p>x3 s1 V</p> 	<p>x1 z1</p> 	

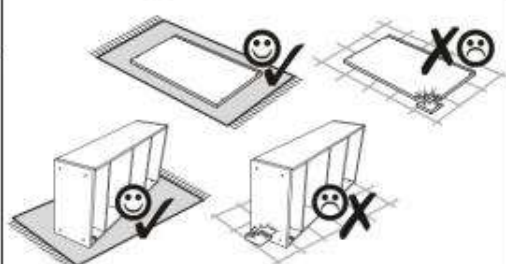
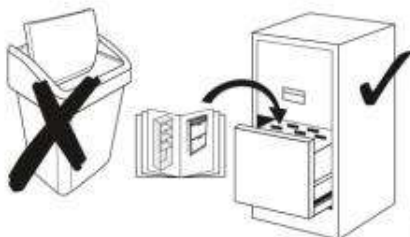

















# SERGIO XL



Code	Dimensions				Package
012 (E)	900	400	16	1	2/2
018 (F)	424	866	16	1	2/2
008 (G)	454	207	16	2	2/2
009 (H)	368	120	16	2	2/2
004 (I)	424	380	16	1	2/2
006 (J)	424	363	16	1	2/2
005 (K)	424	380	16	1	2/2
007 (L)	425	343	16	1	2/2
010 (M)	350	120	16	2	2/2
011 (N)	350	120	16	2	2/2
002 (O)	900	400	16	1	2/2
020 (P)	352	386	3	2	2/2
accessories				2	2/2



# Accessories

<p>x2 lb-350</p> 	<p>R</p> <p>x2 c57</p> 	<p>S</p> <p>x16 r1</p> 	<p>T</p> <p>x8 e1</p> <p>Ø7x50mm</p> 
<p>x8 s1</p> 	<p>V</p> <p>x36 f1</p> <p>Ø8x30mm</p> 	<p>W</p> <p>x4 p9</p> 	<p>X</p> <p>x1 z1</p> 
<p>x16 r16</p> 	<p>Y</p> <p>x24 p25</p> 	<p>Z</p> <p>x16 s2</p> 	<p>Z1</p> <p>x4 d18</p> 
<p>x4 k88</p> 	<p>Q</p>		



**L**

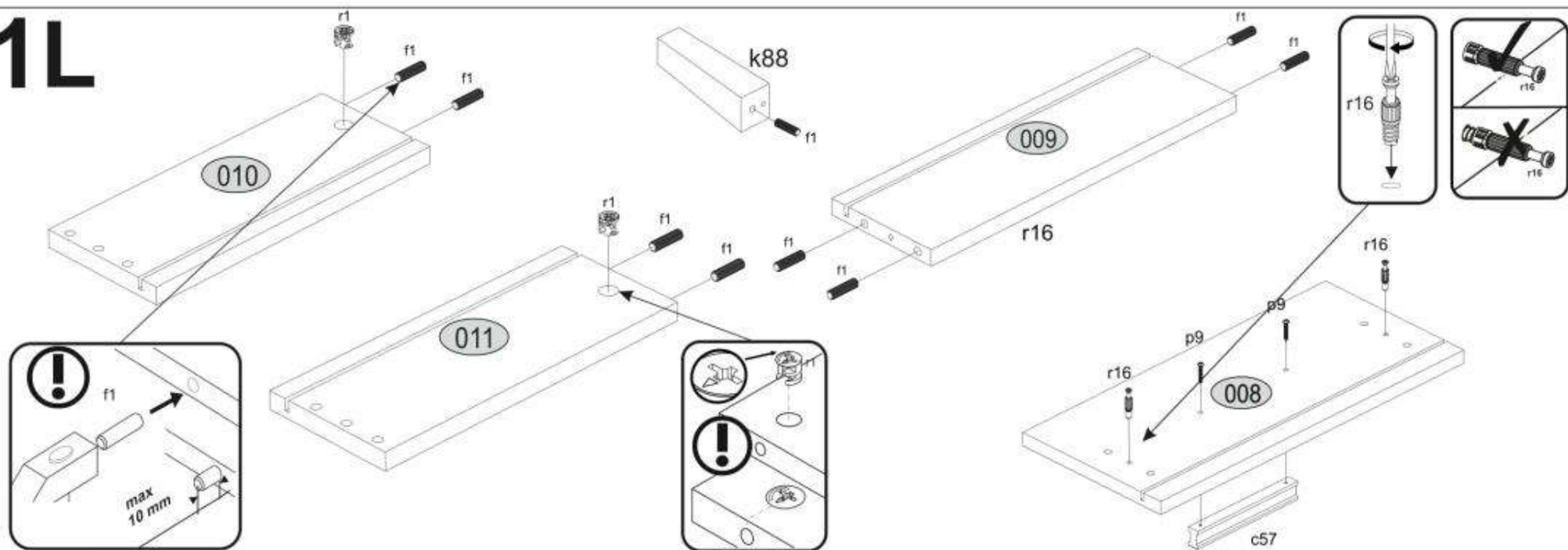


**R**

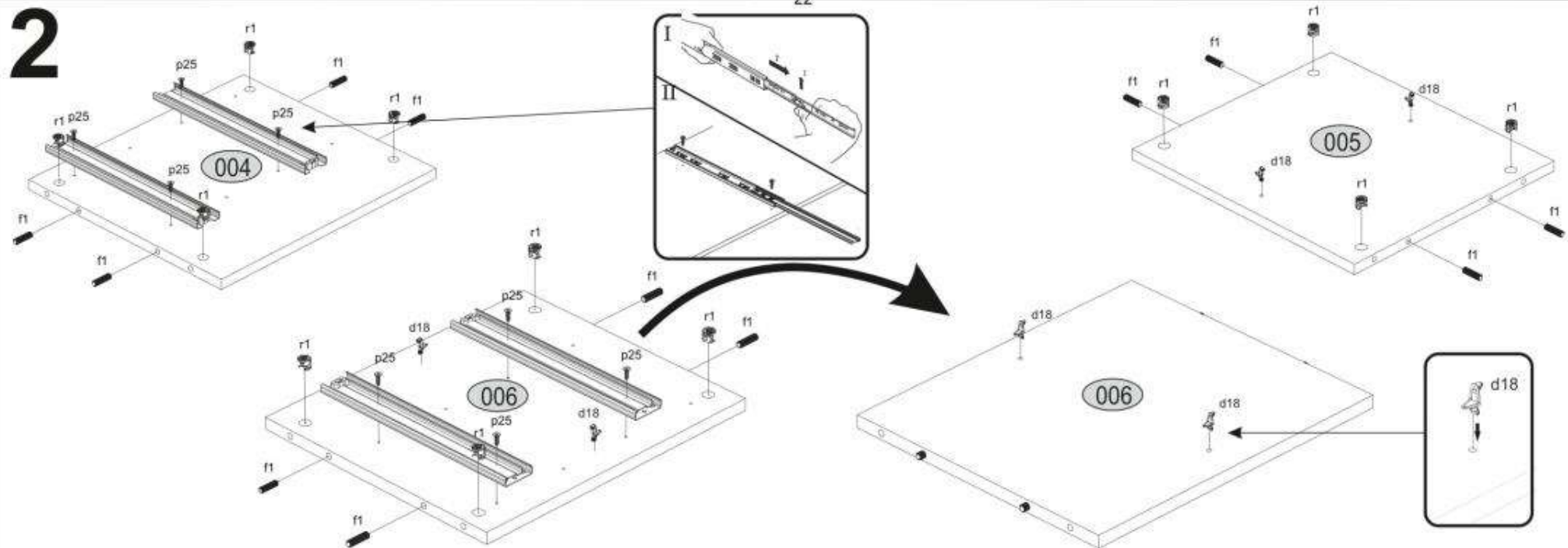


**NOWOŚĆ**

# 1L

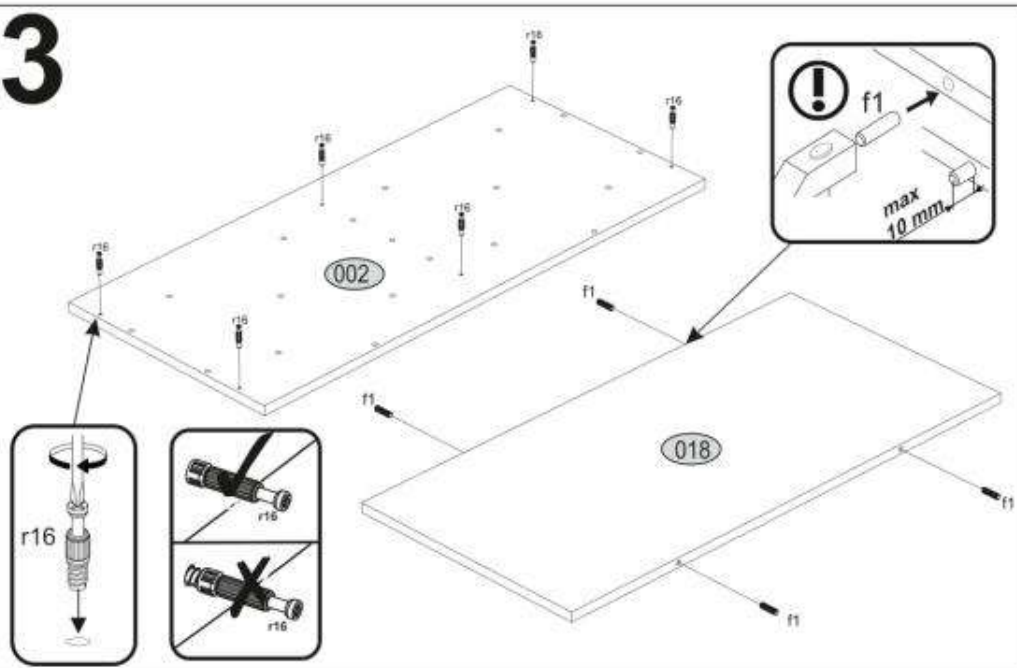


# 2

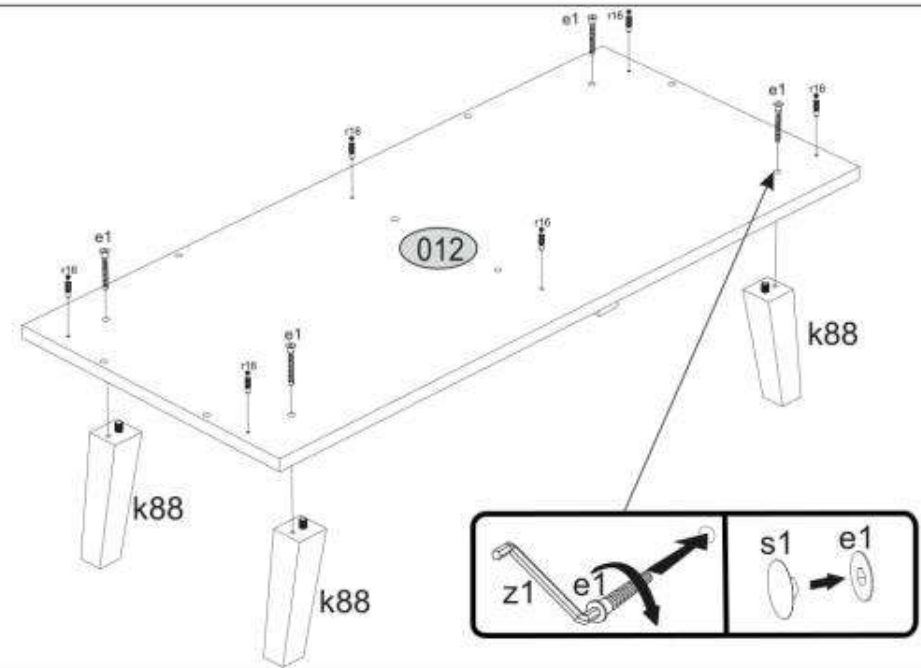


NOWOŚĆ

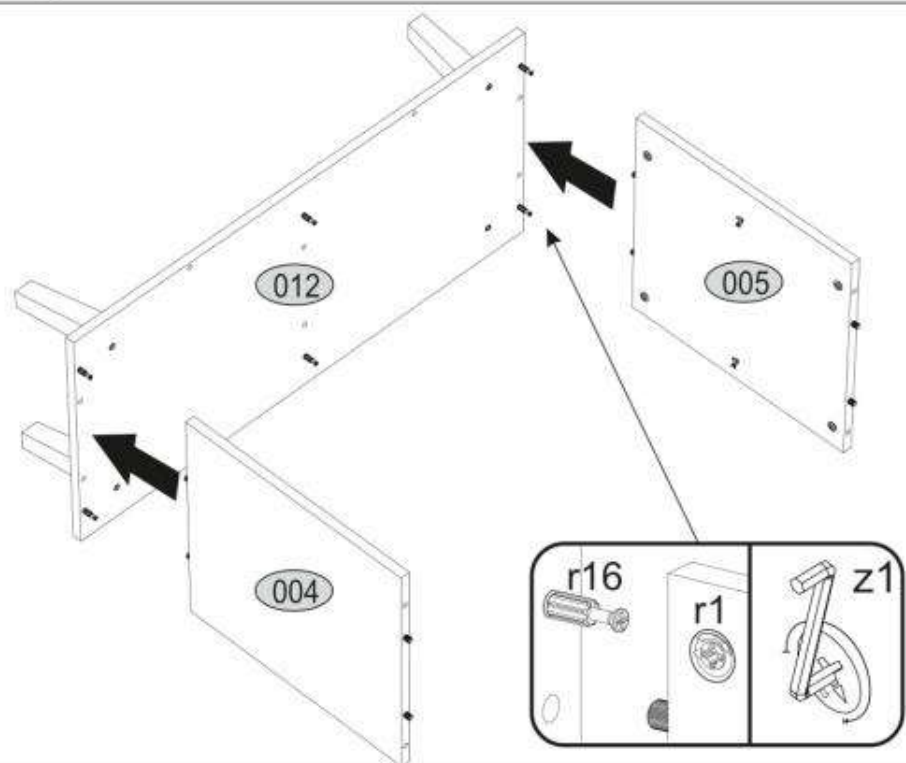
# 3



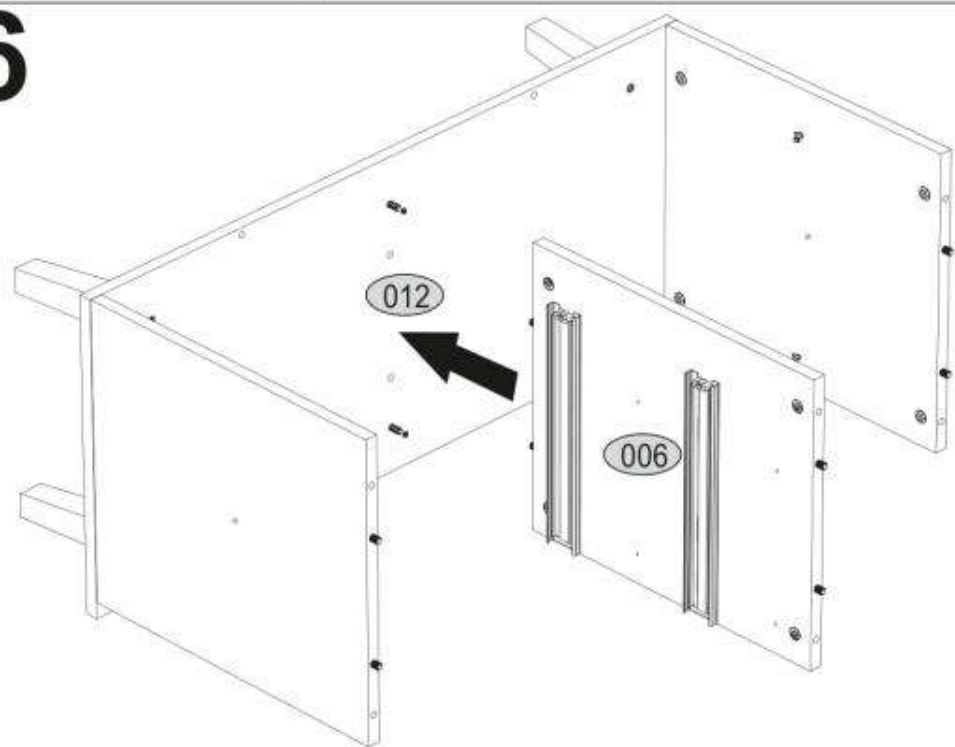
# 4



# 5

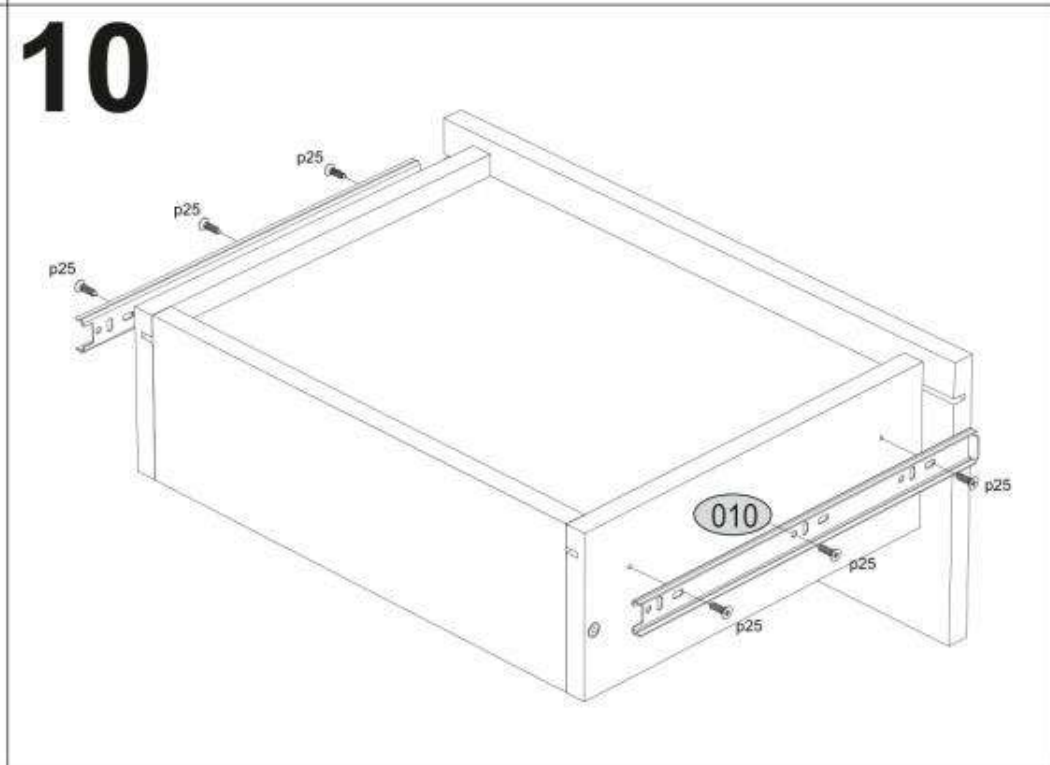
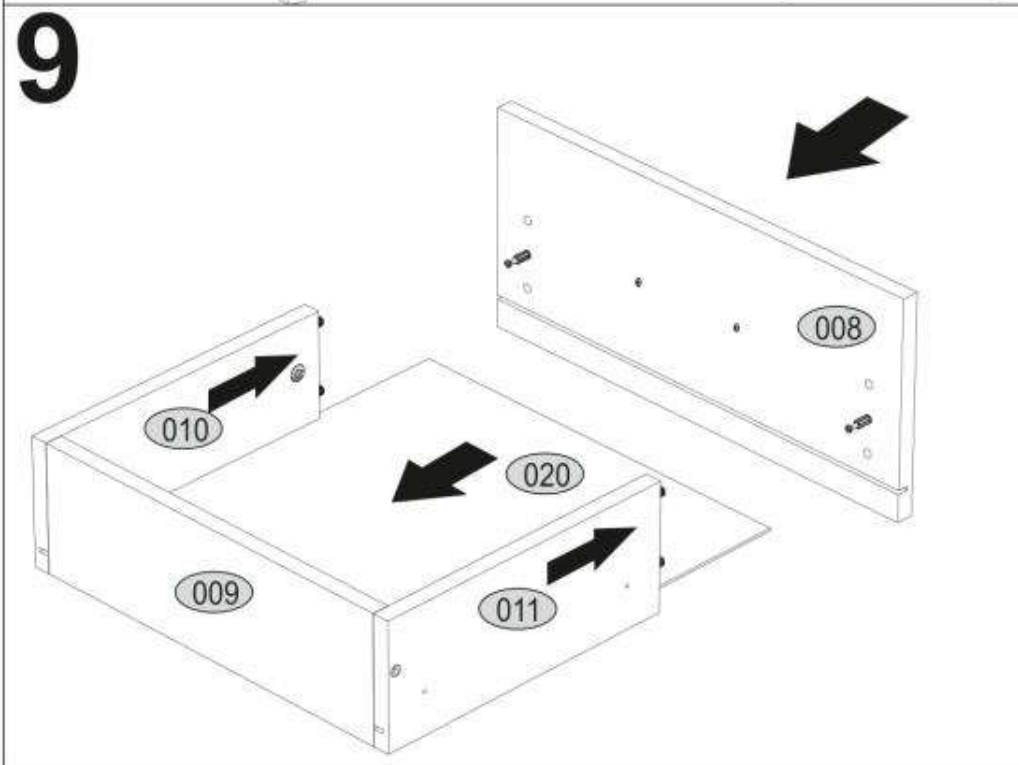
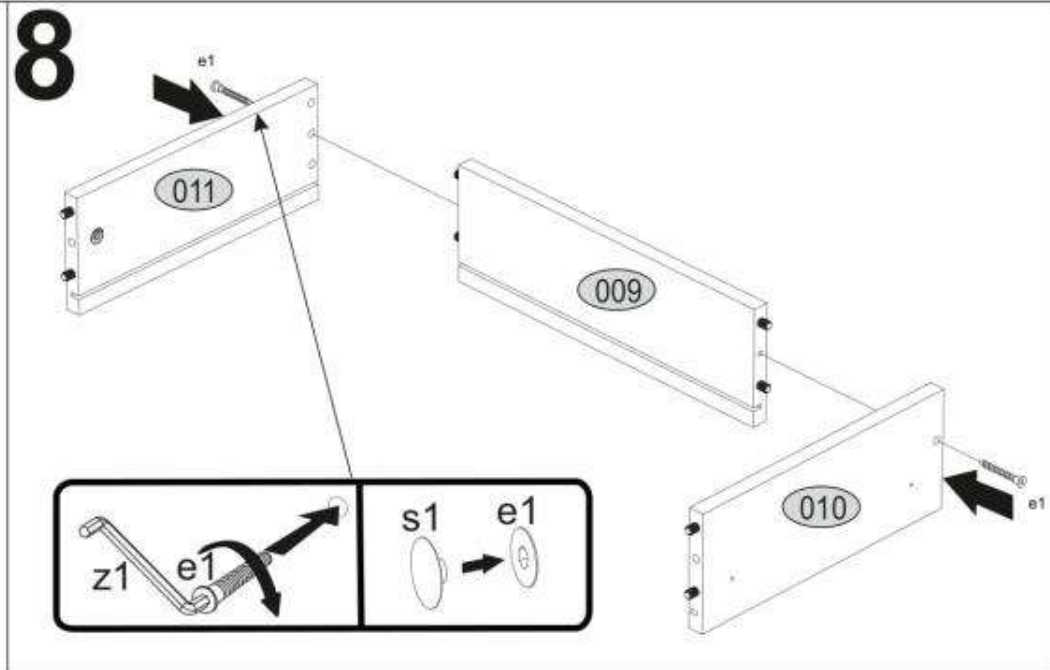
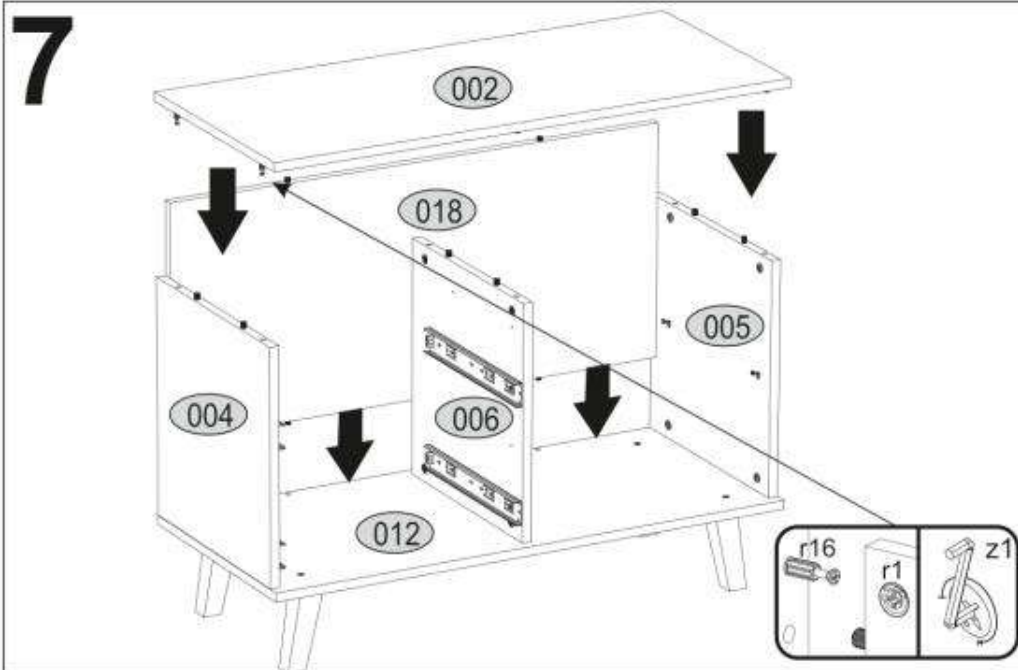


# 6

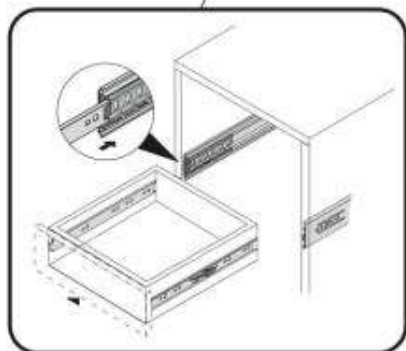
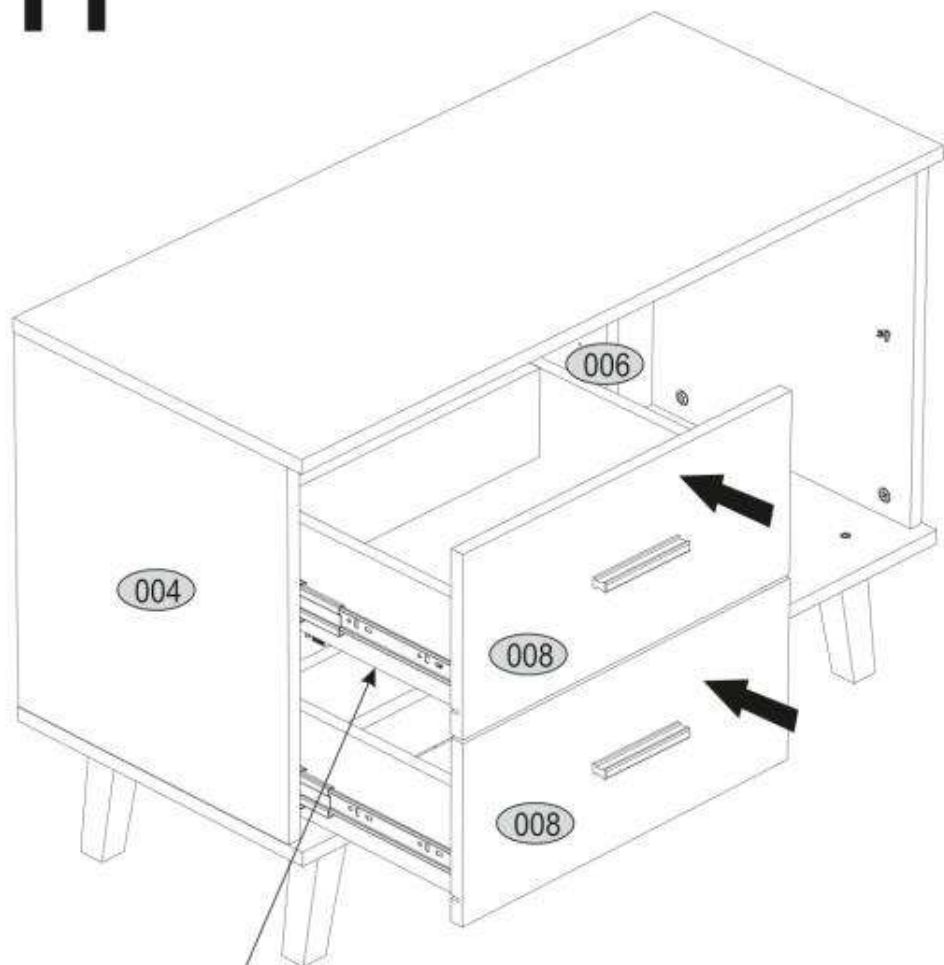


**NOWOŚĆ**

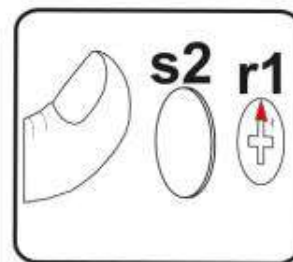
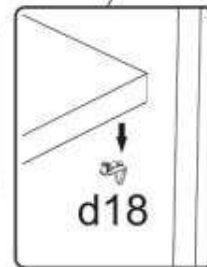
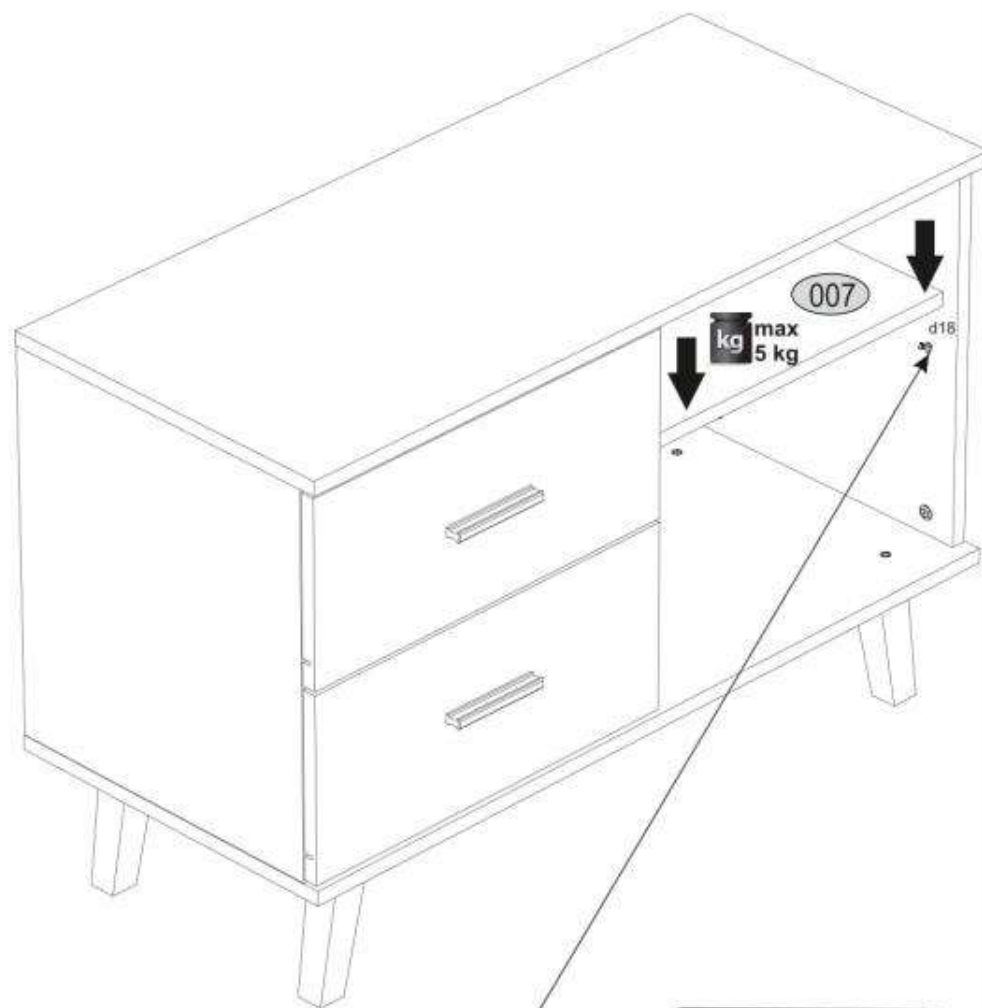




# 11

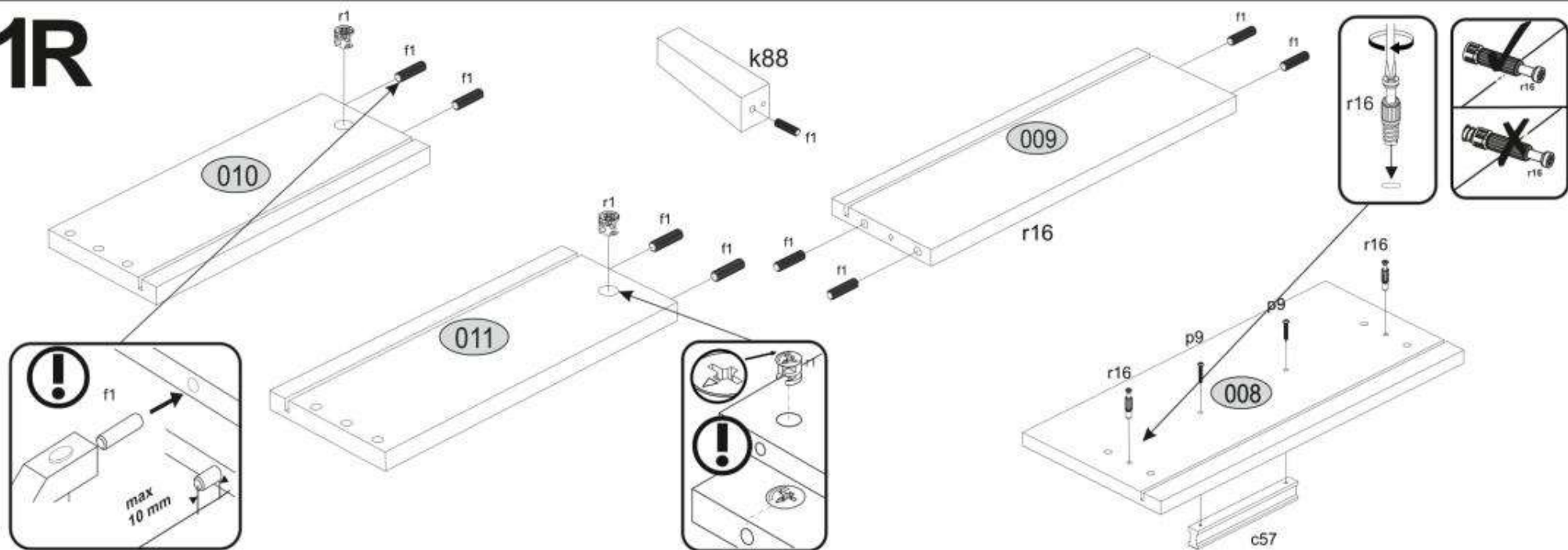


# 12

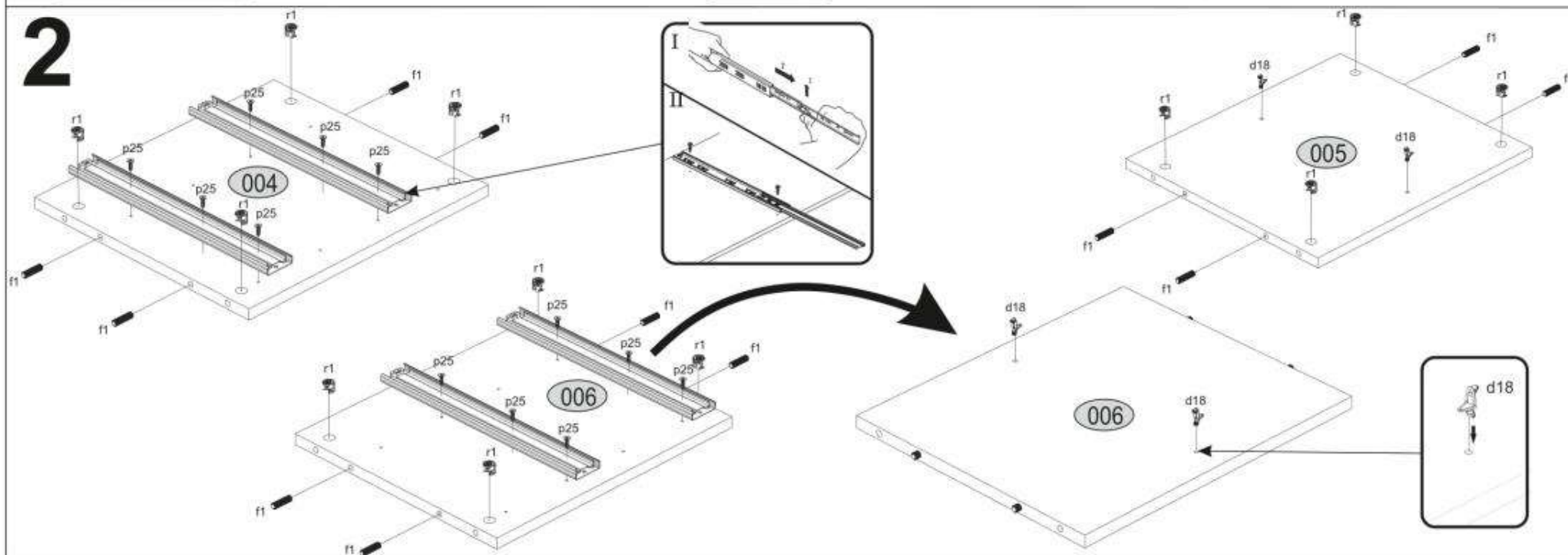


**NOWOŚĆ**

# 1R

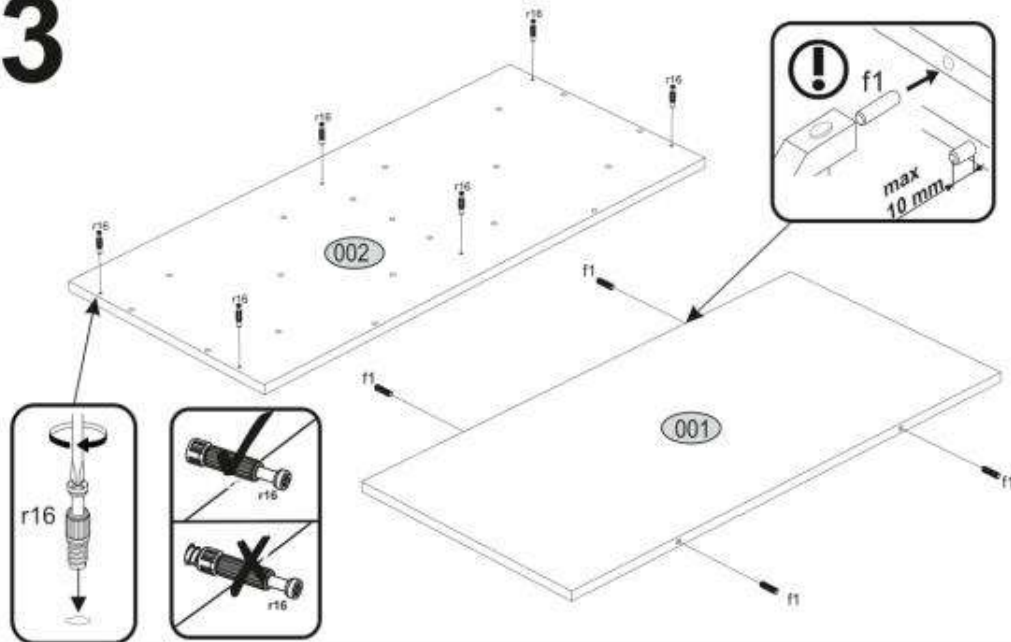


# 2

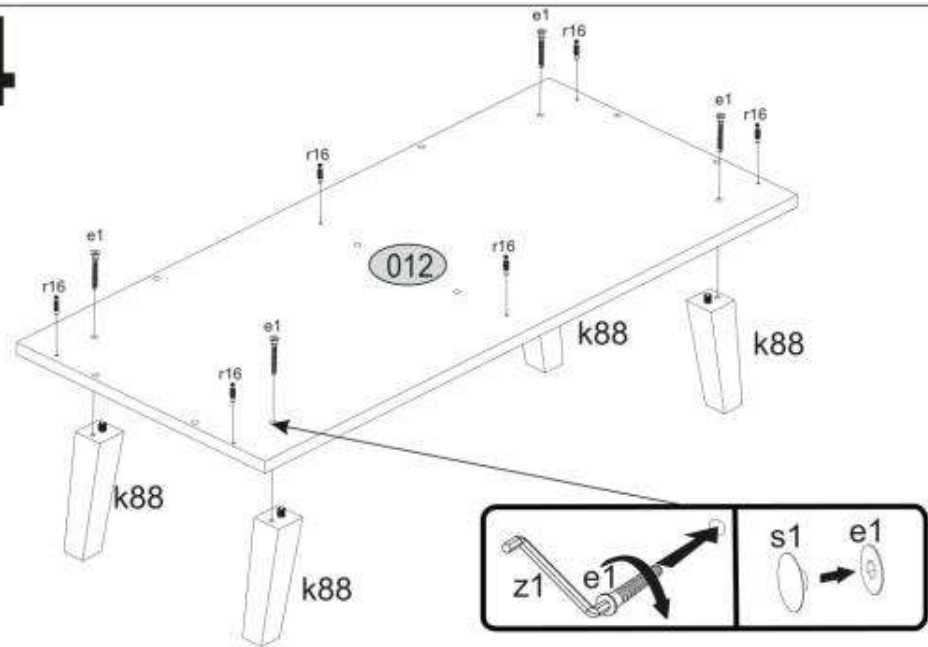


NOWOŚĆ

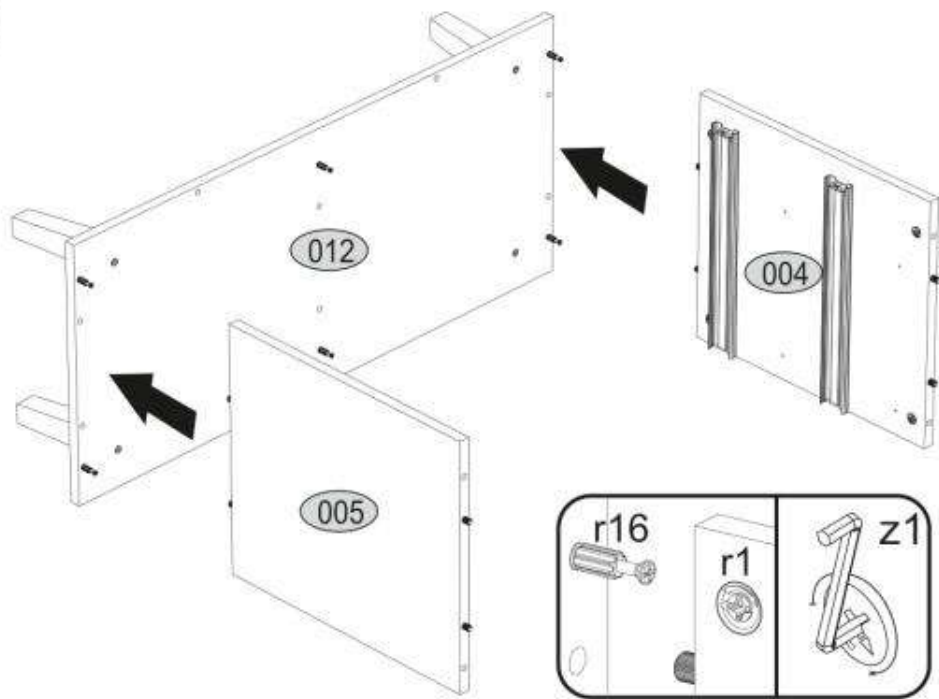
# 3



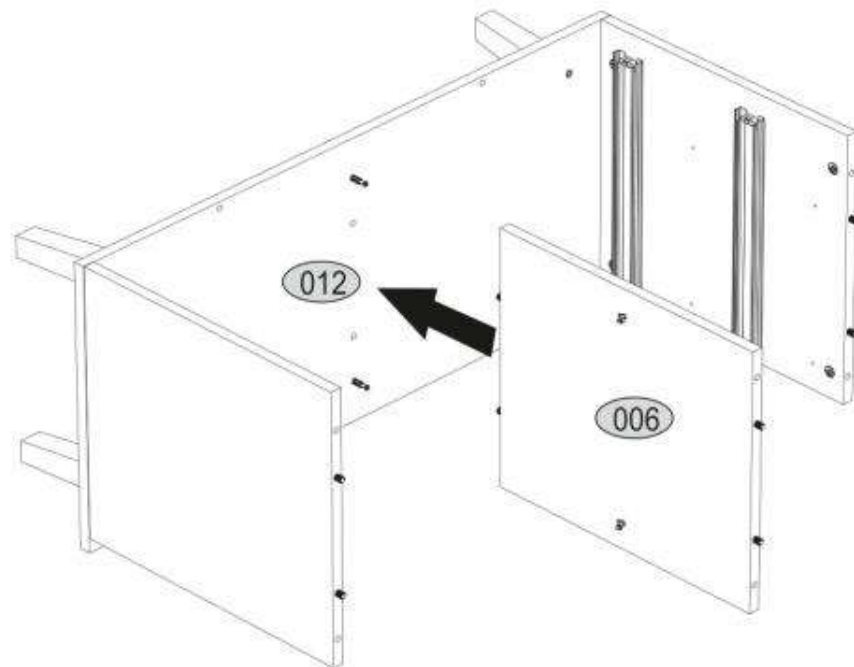
# 4

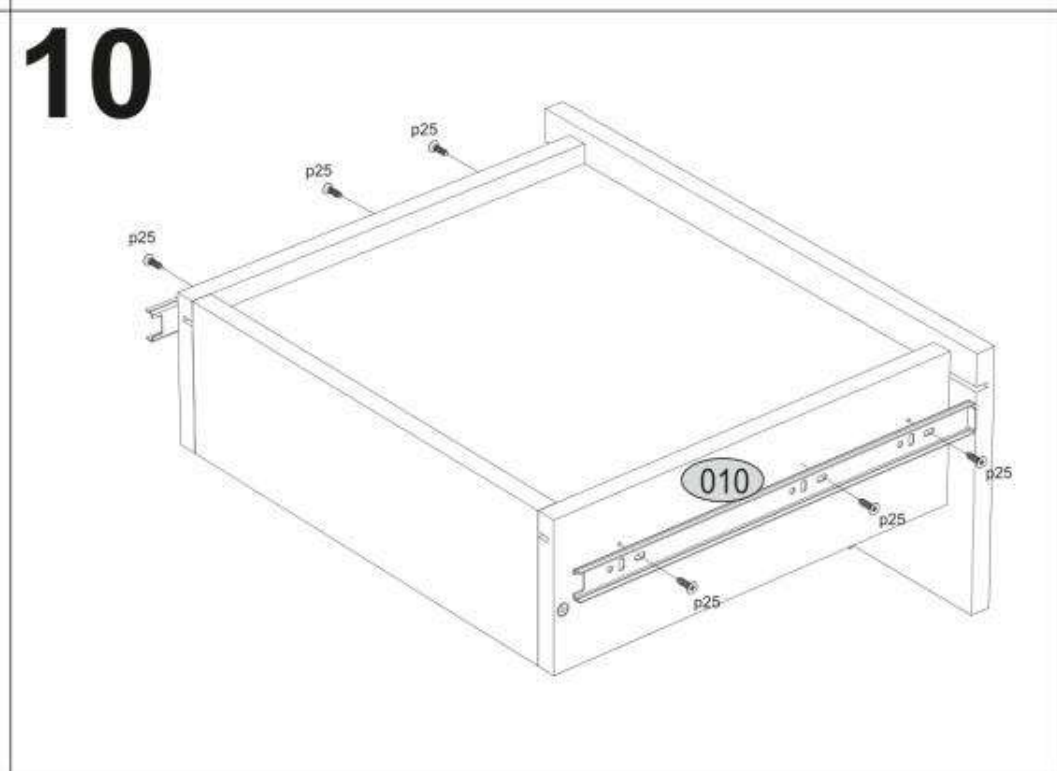
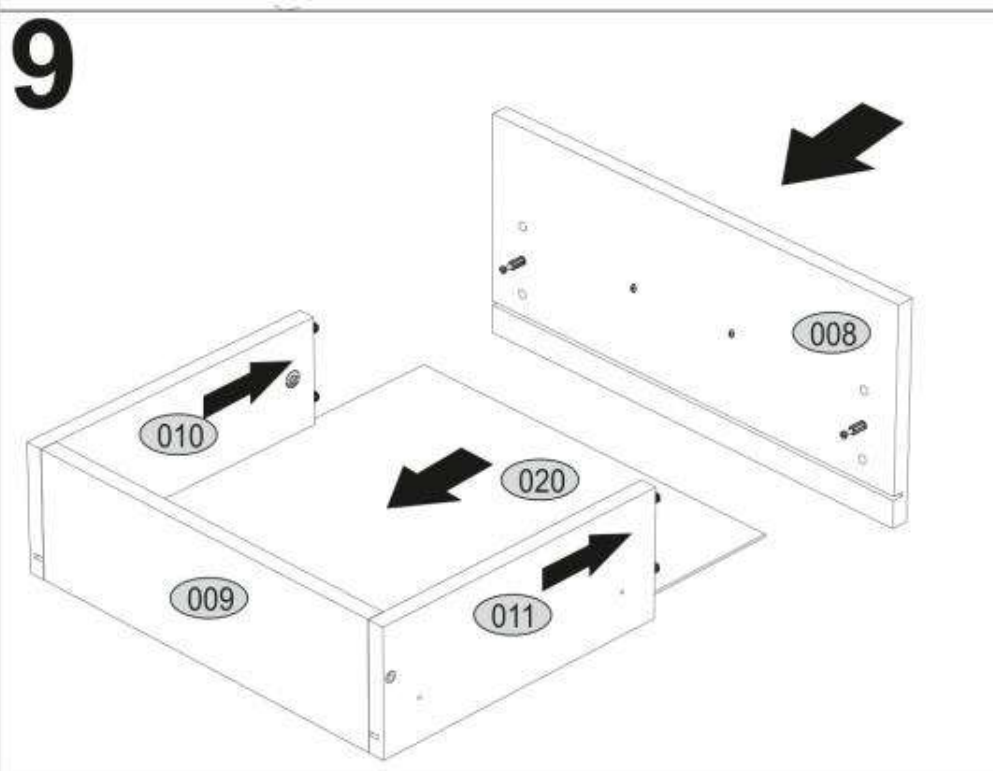
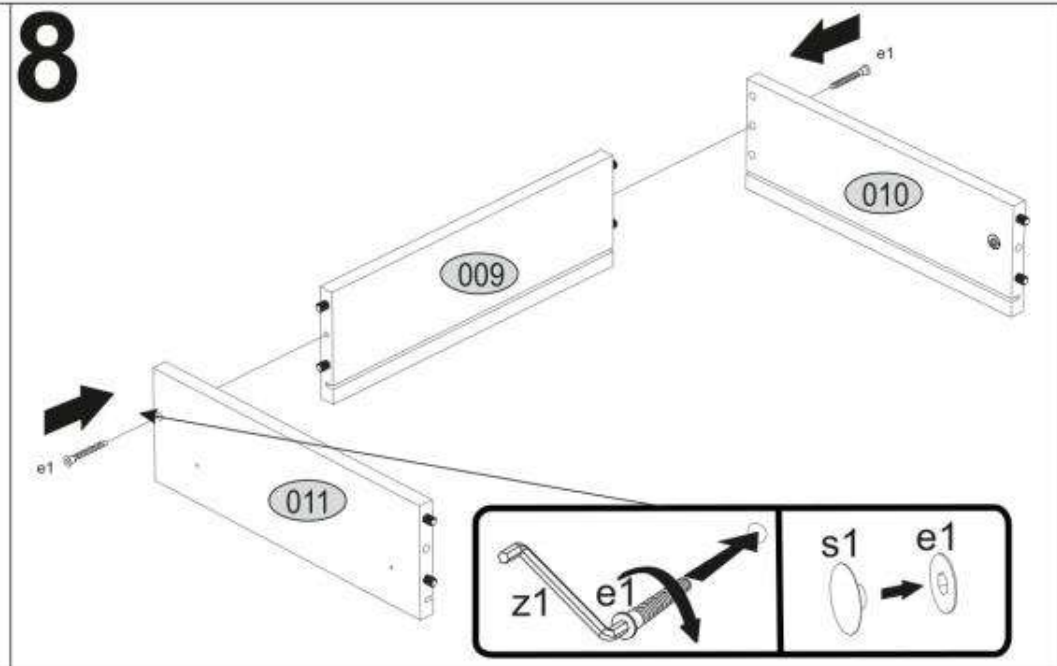
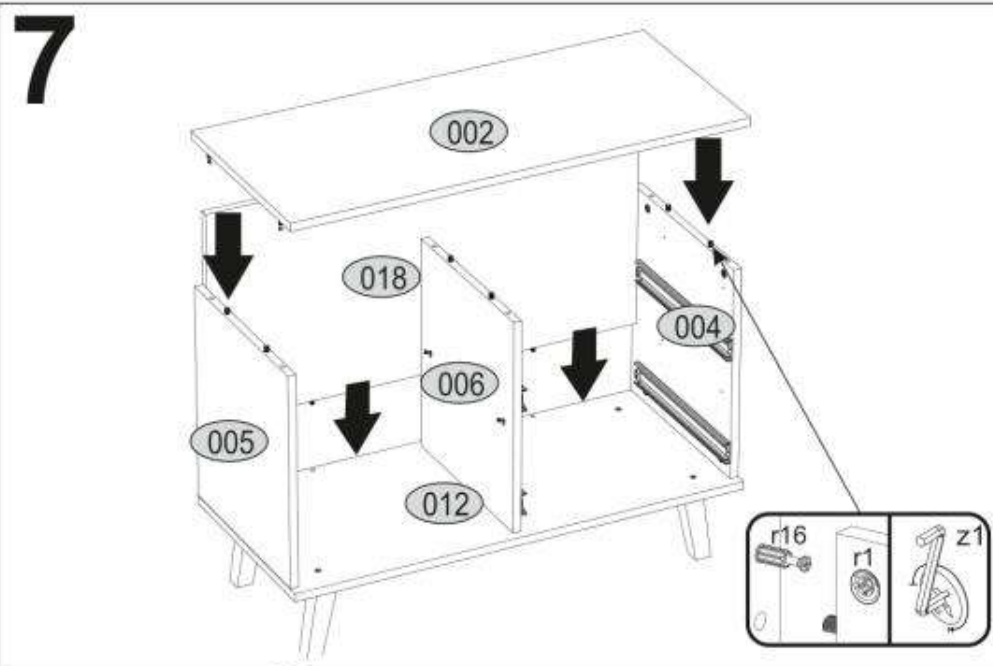


# 5

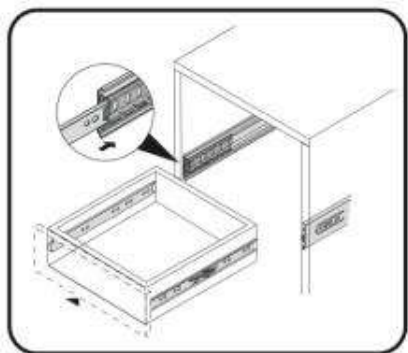
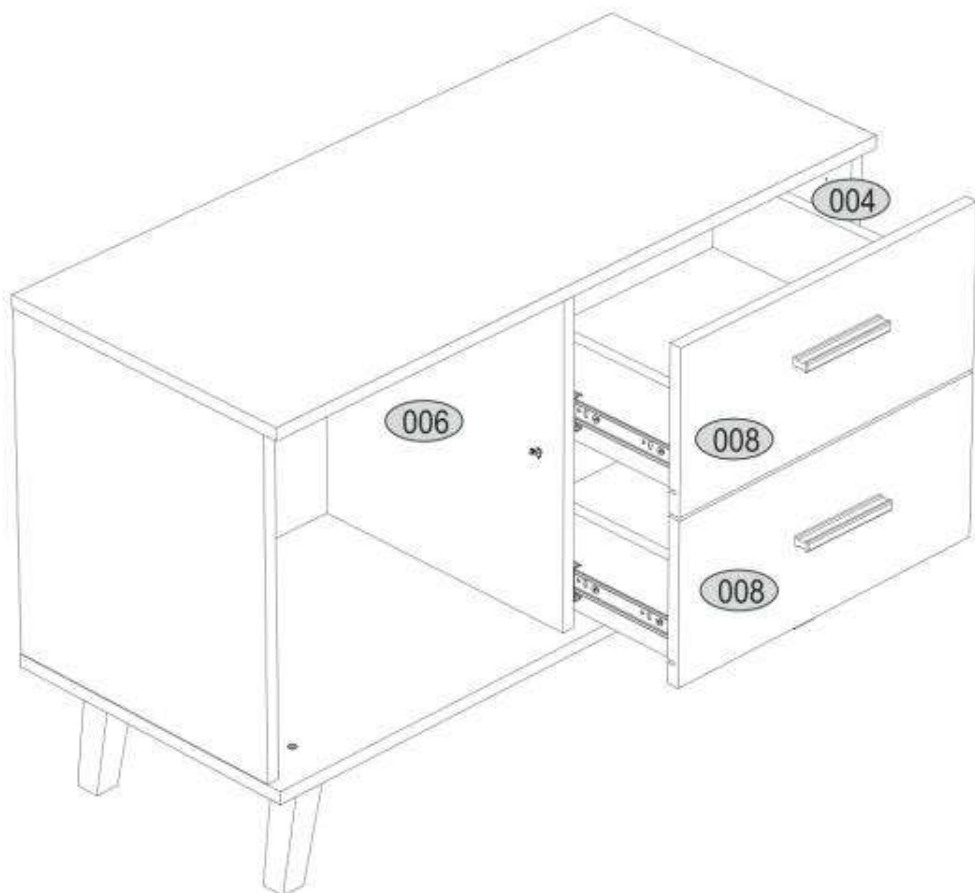


# 6

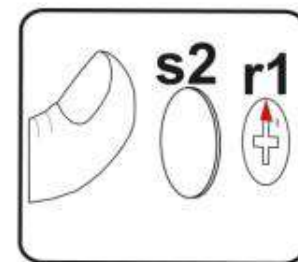
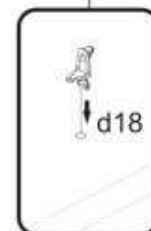
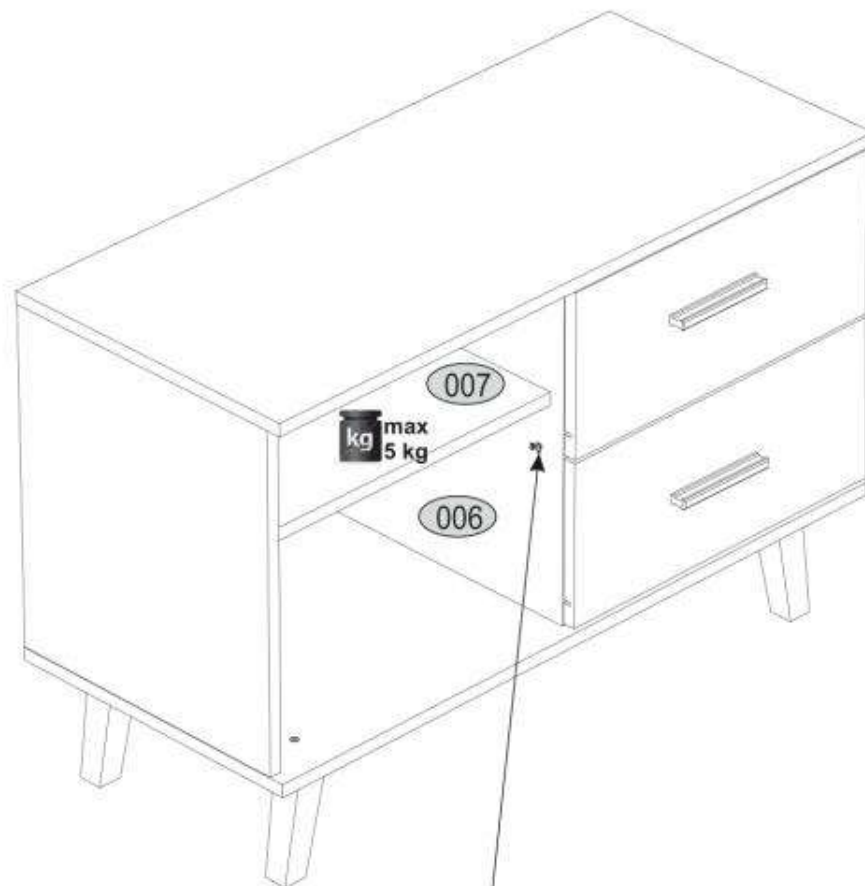




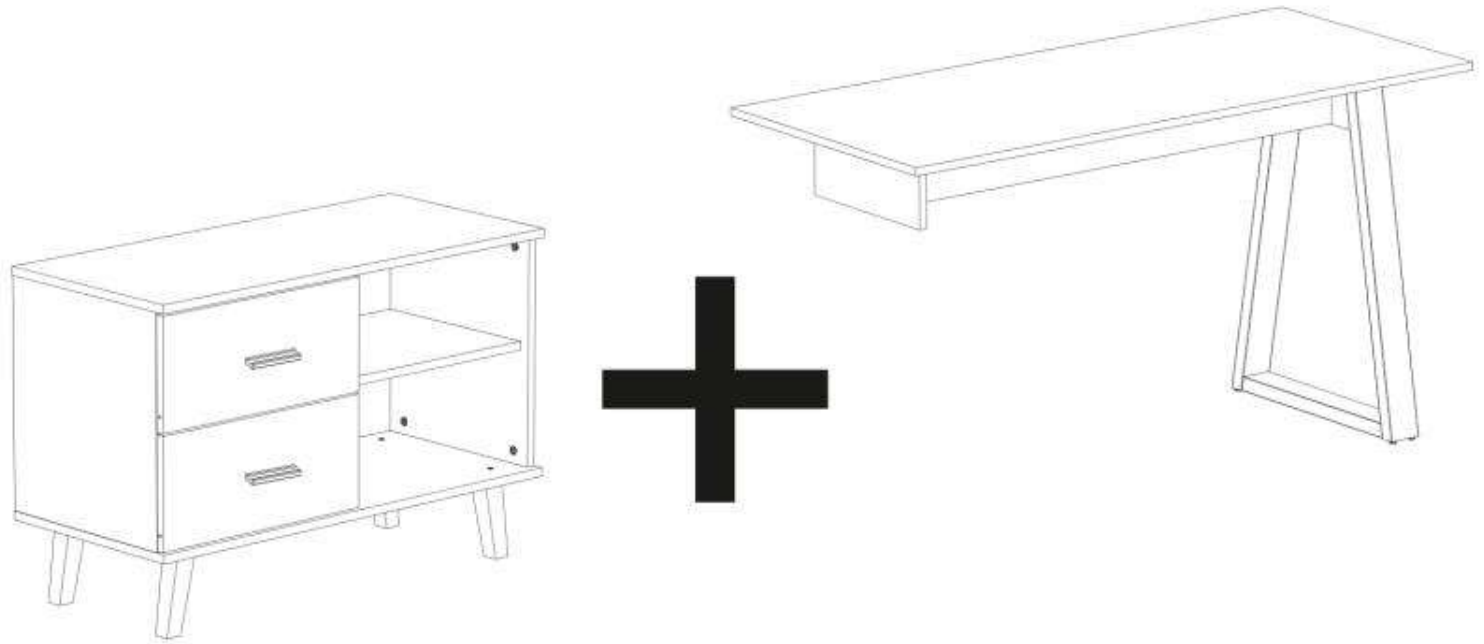
# 11



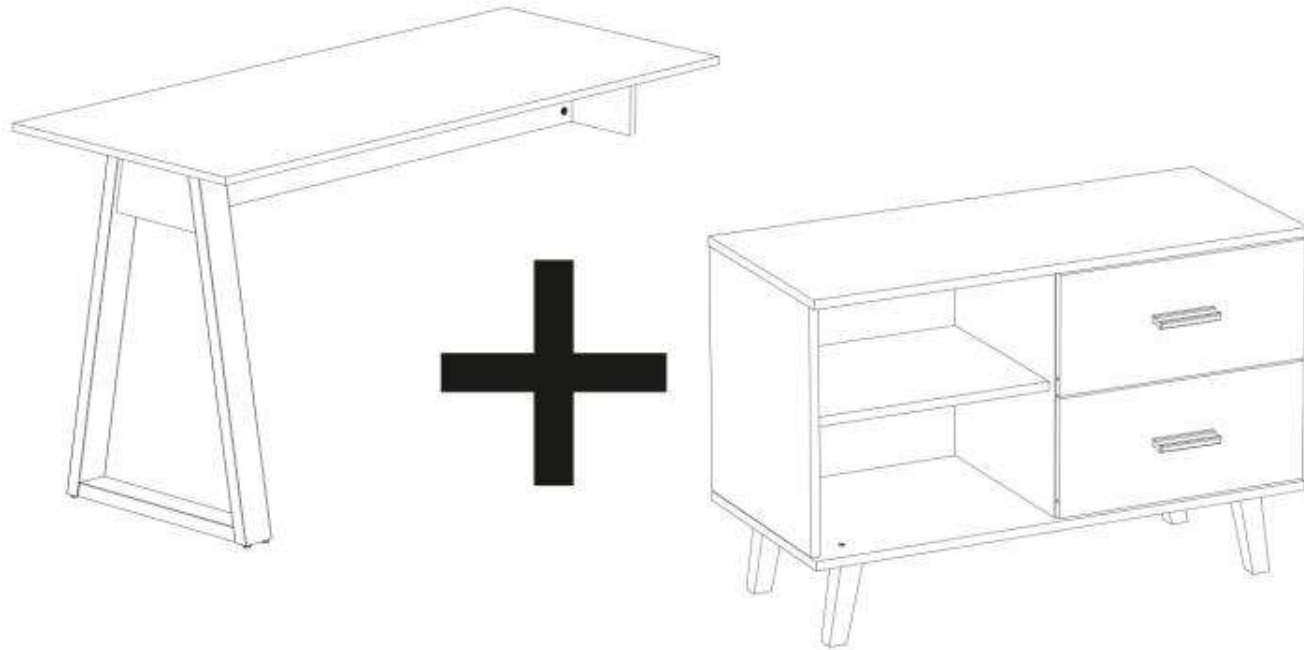
# 12



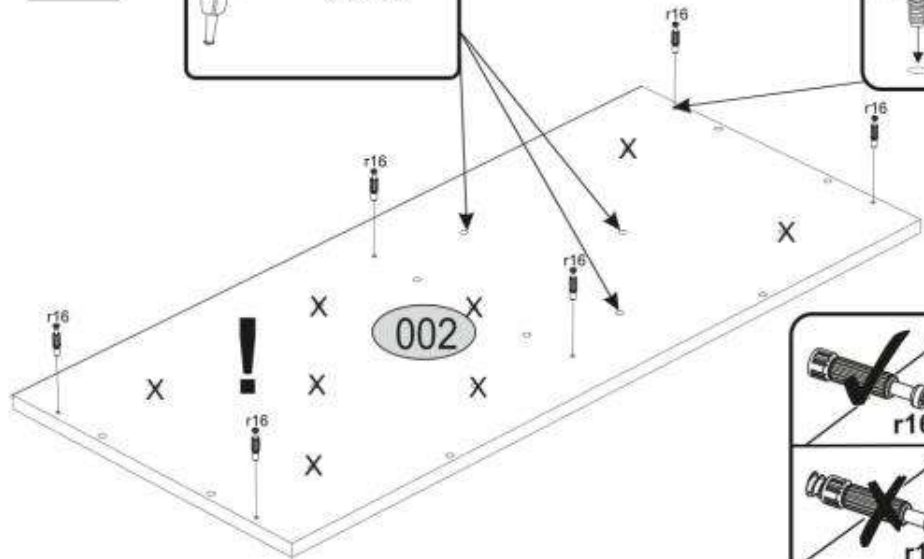
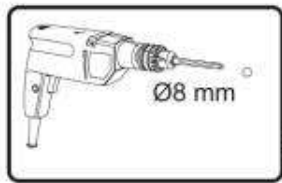
**A**



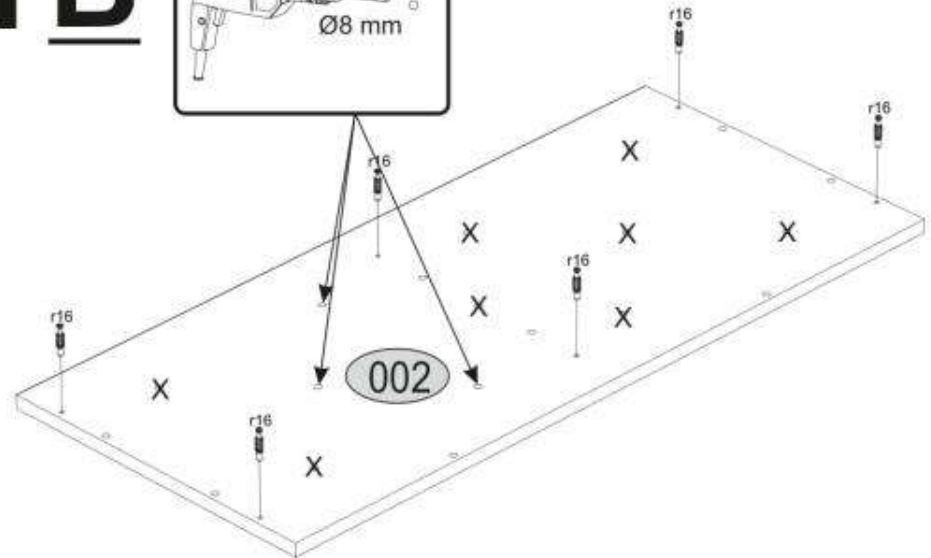
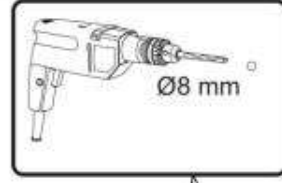
**B**



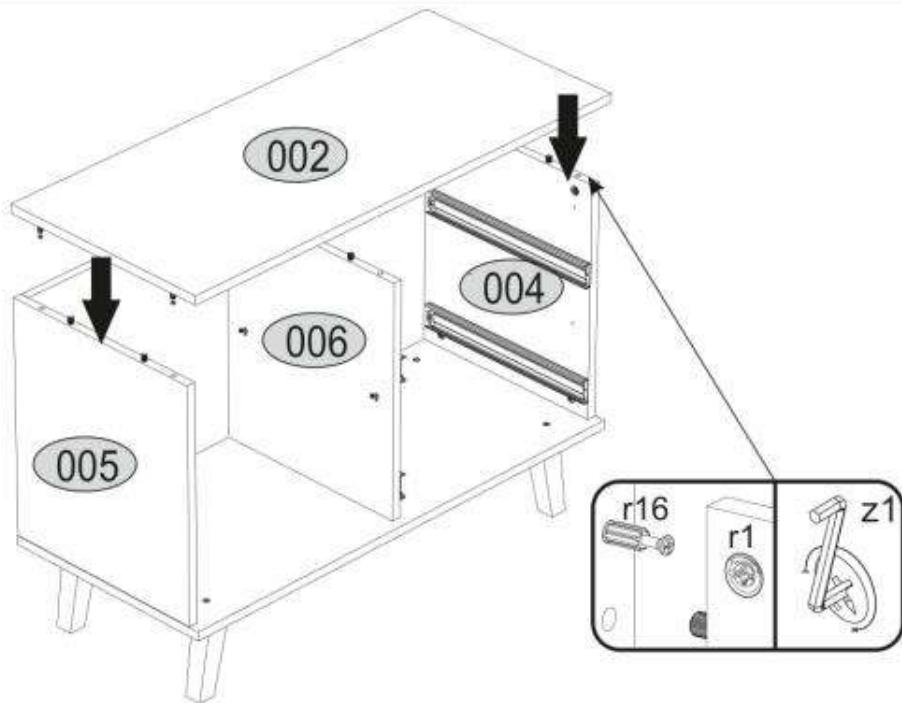
# 1A



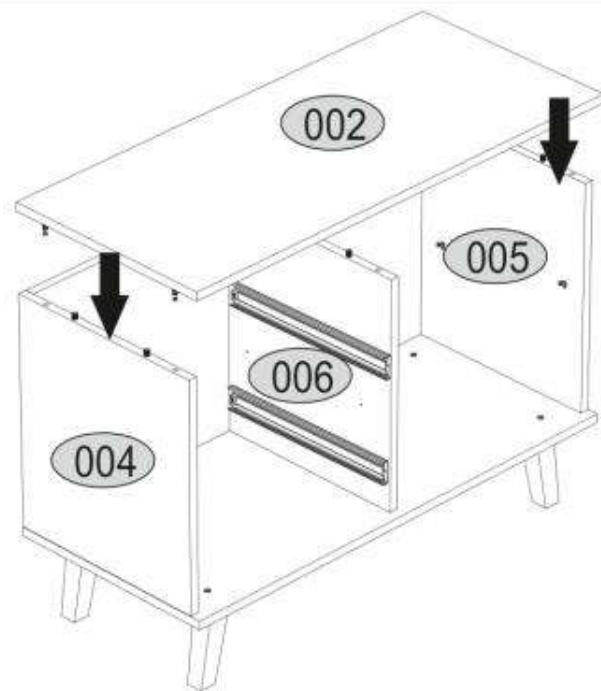
# 1B



# 2

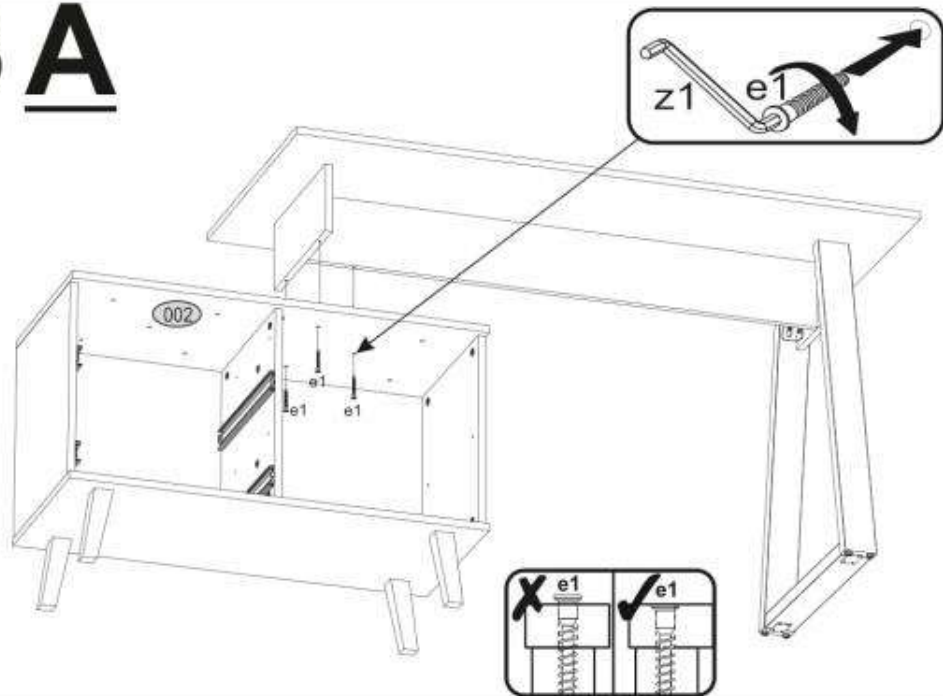


# 2

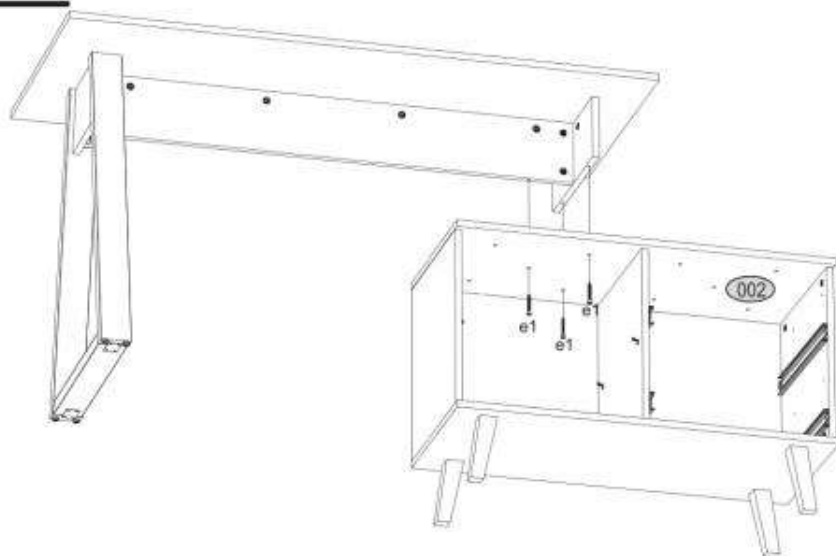




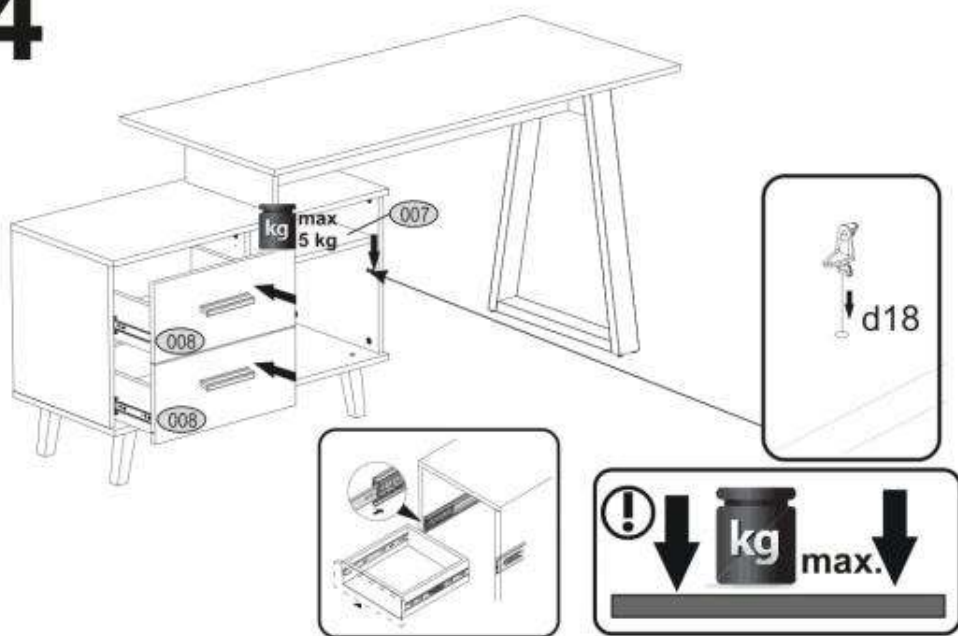
# 3 A



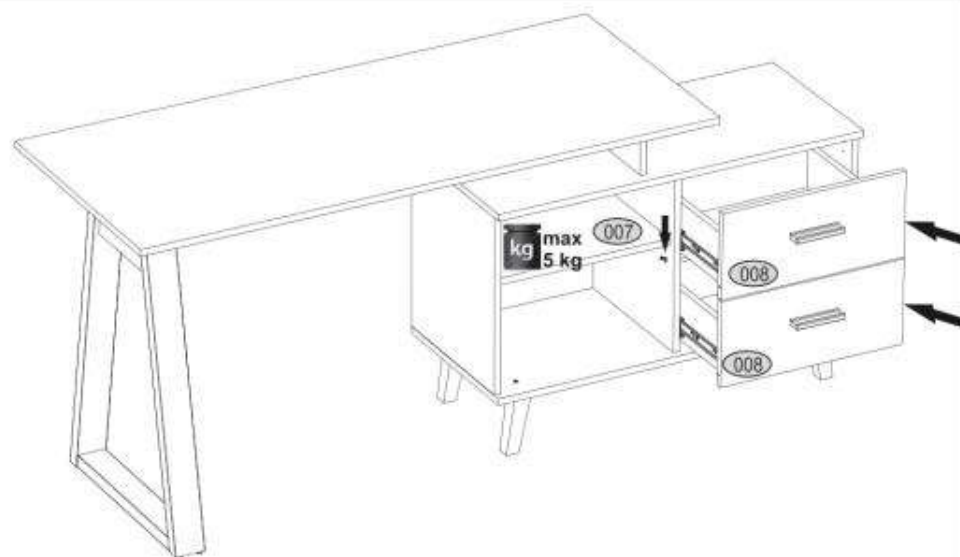
# 3 B



# 4



# 4



NOWOŚĆ