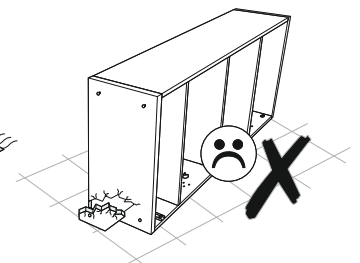
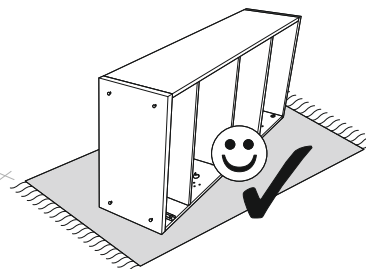
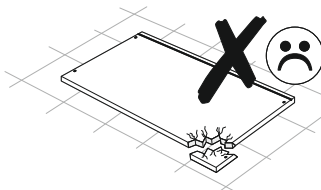
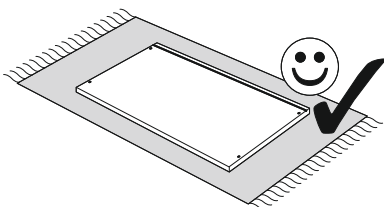
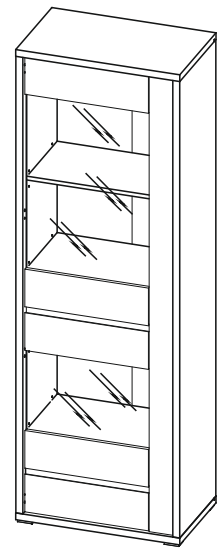
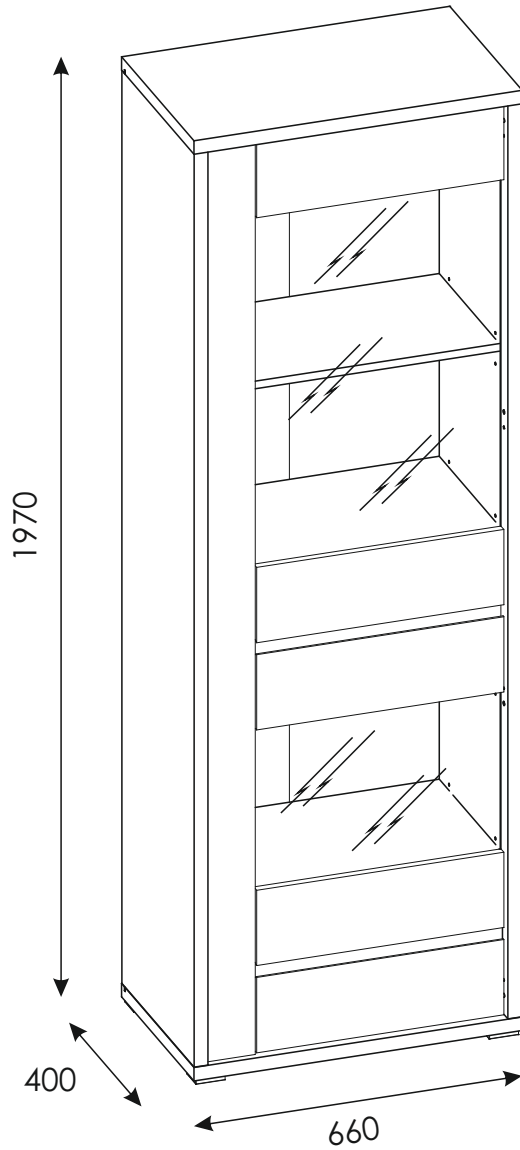
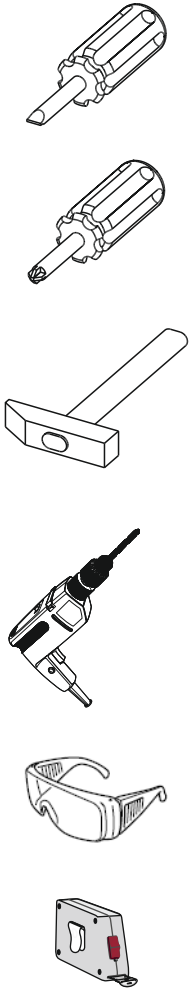
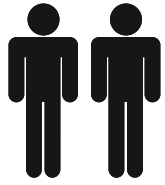
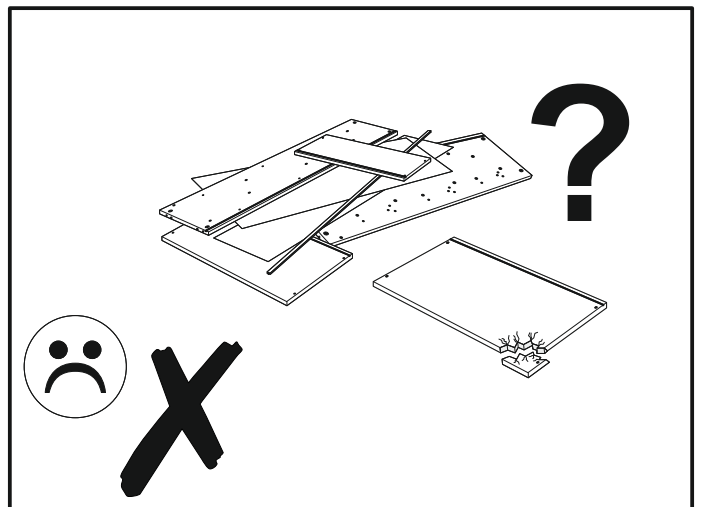
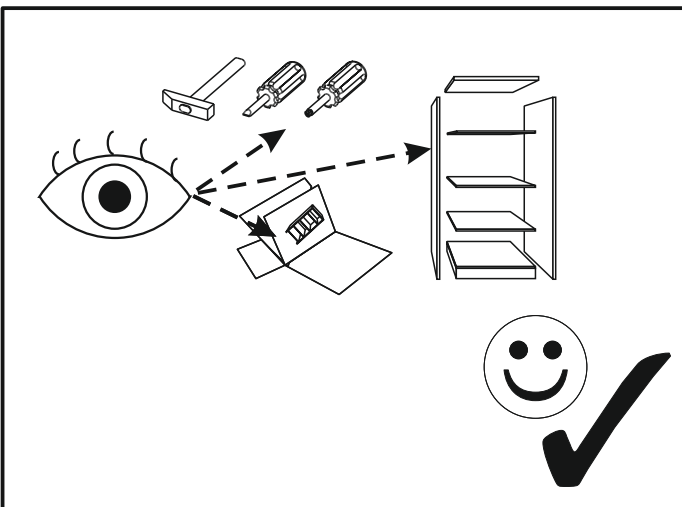
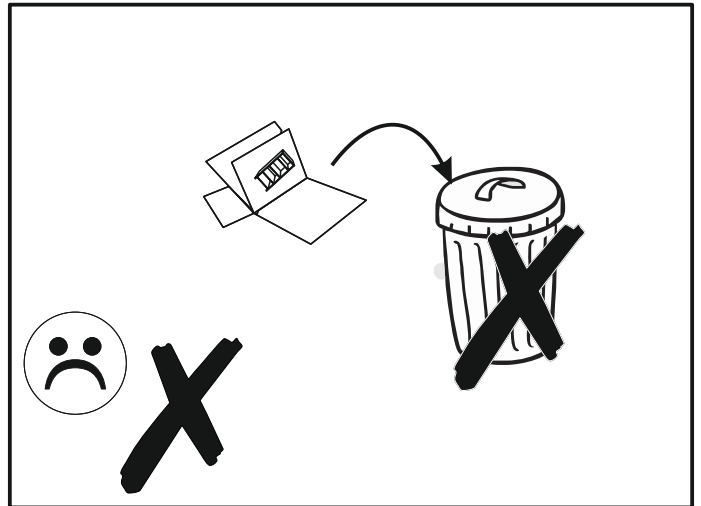
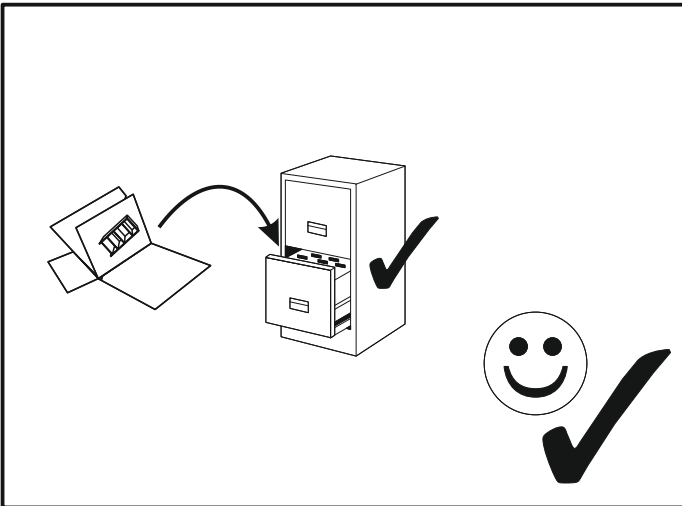
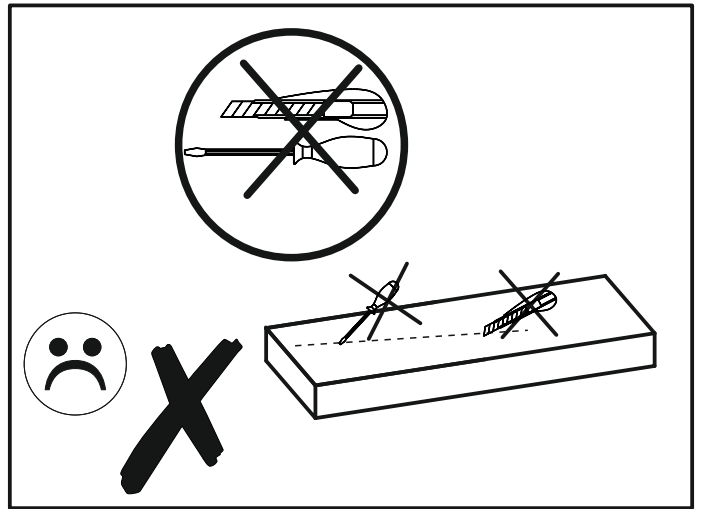
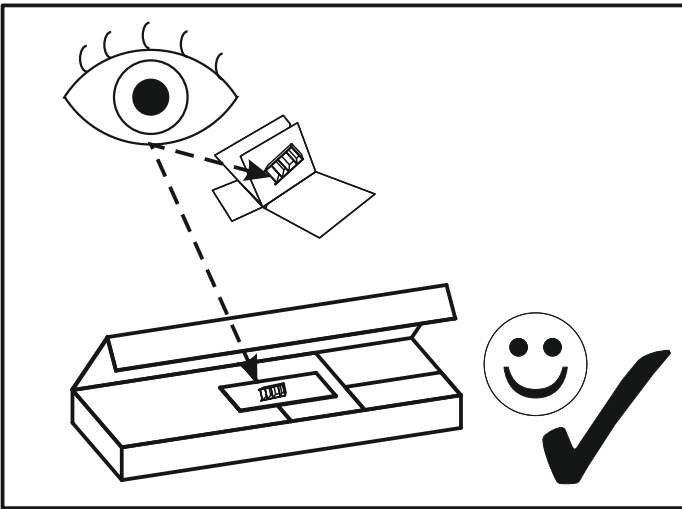

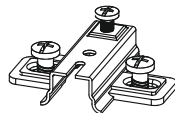
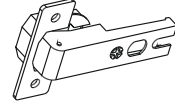



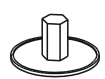



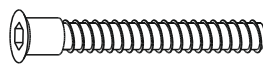


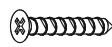
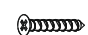
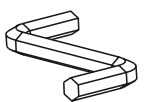


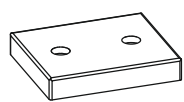



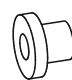
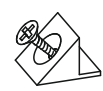

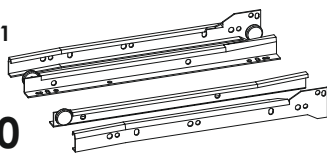
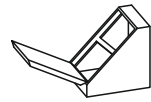
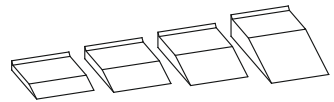
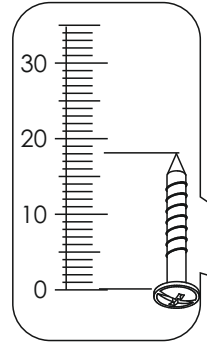
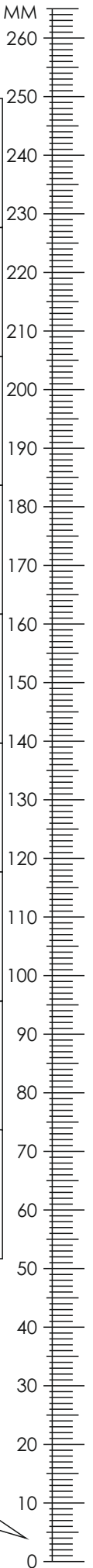


SHELDON TYP 01



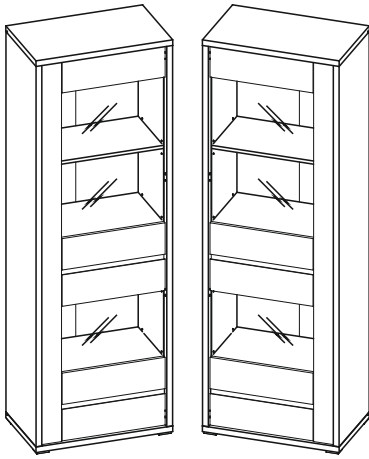


A1 x28 $\varnothing 8 \times 35\text{mm}$ 	B0 x4 	BR1 x4 
C1 x8 EURO 4 x 13mm 	C2 x4 EURO 5 x 13mm 	D2 x17 
E0 x13 	E1 x13 $\varnothing 15 \times 12\text{mm}$ 	F1 x13 
G0 x8 	G1 x2 $\varnothing 7 \times 50\text{mm}$ 	G2 x6 $\varnothing 7 \times 60\text{mm}$ 
I2 x9 4 x 16mm 	I3 x6 US 4 x 25mm 	J1 x6 US 3 x 20mm 
M x1 	N1 x10 US 3 x 16mm 	N2 x12 US 3,5 x 16mm 
O15 x4 	P0 x2 $\varnothing 5$ 	P9 x5 $\varnothing 8$ 
Q9 x1 	R3 x8 	R4 x11 
R8 x2 	T2 x1 L-300 	W x2 
Z x1 		

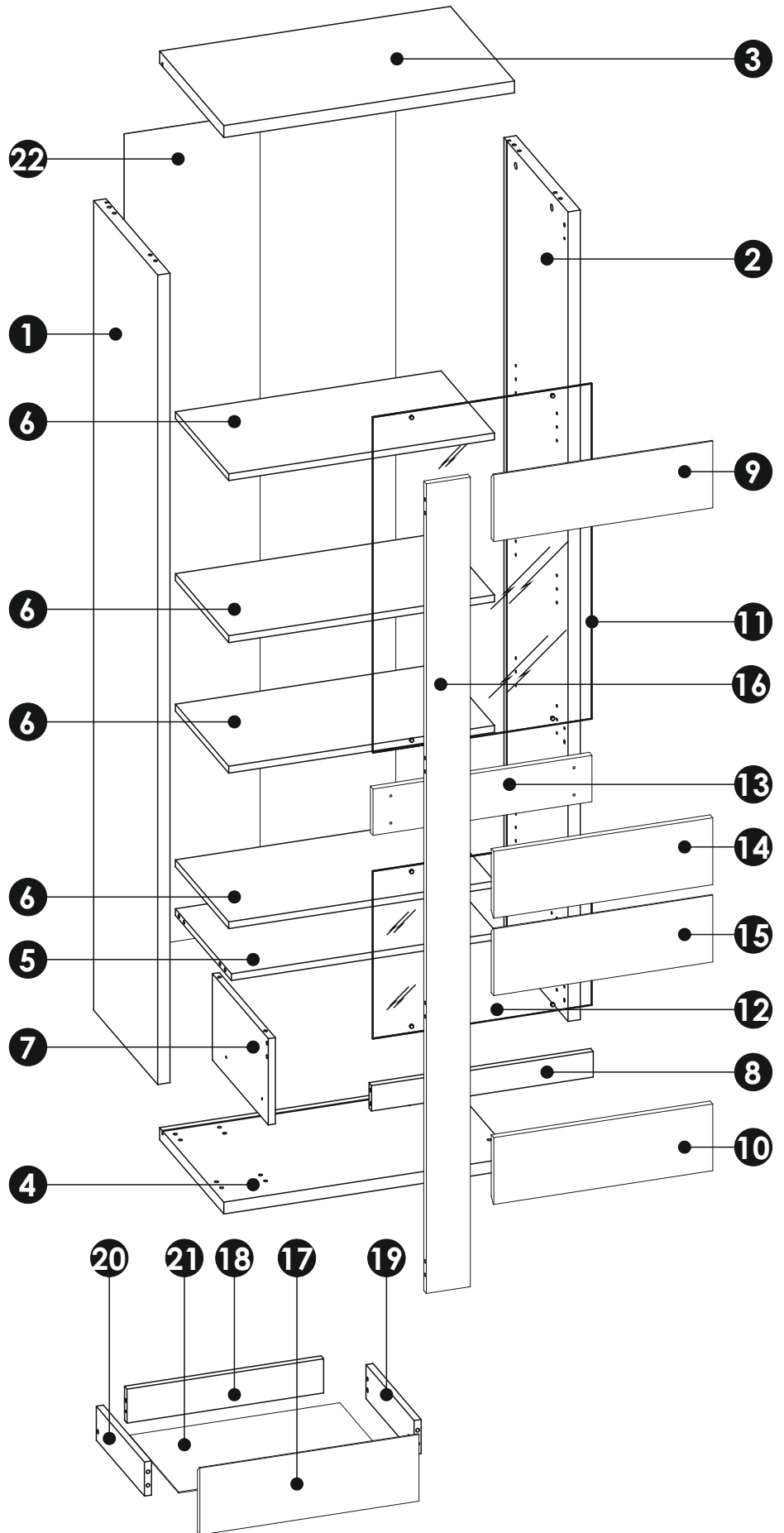


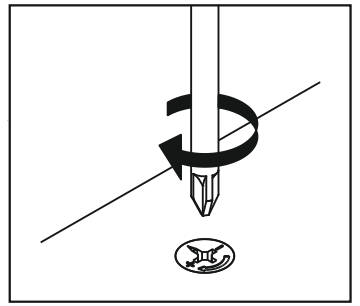
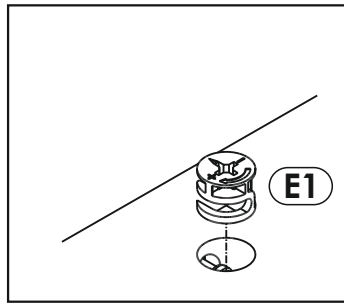
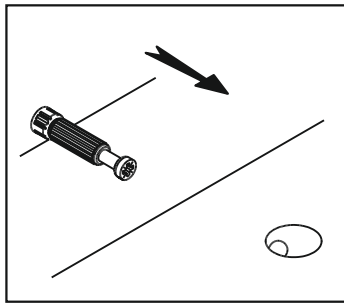
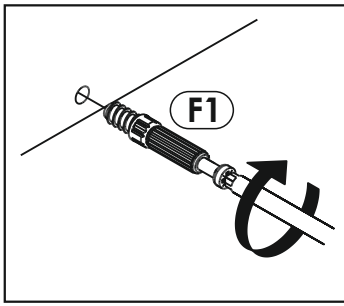
4a-16a

4b-16b

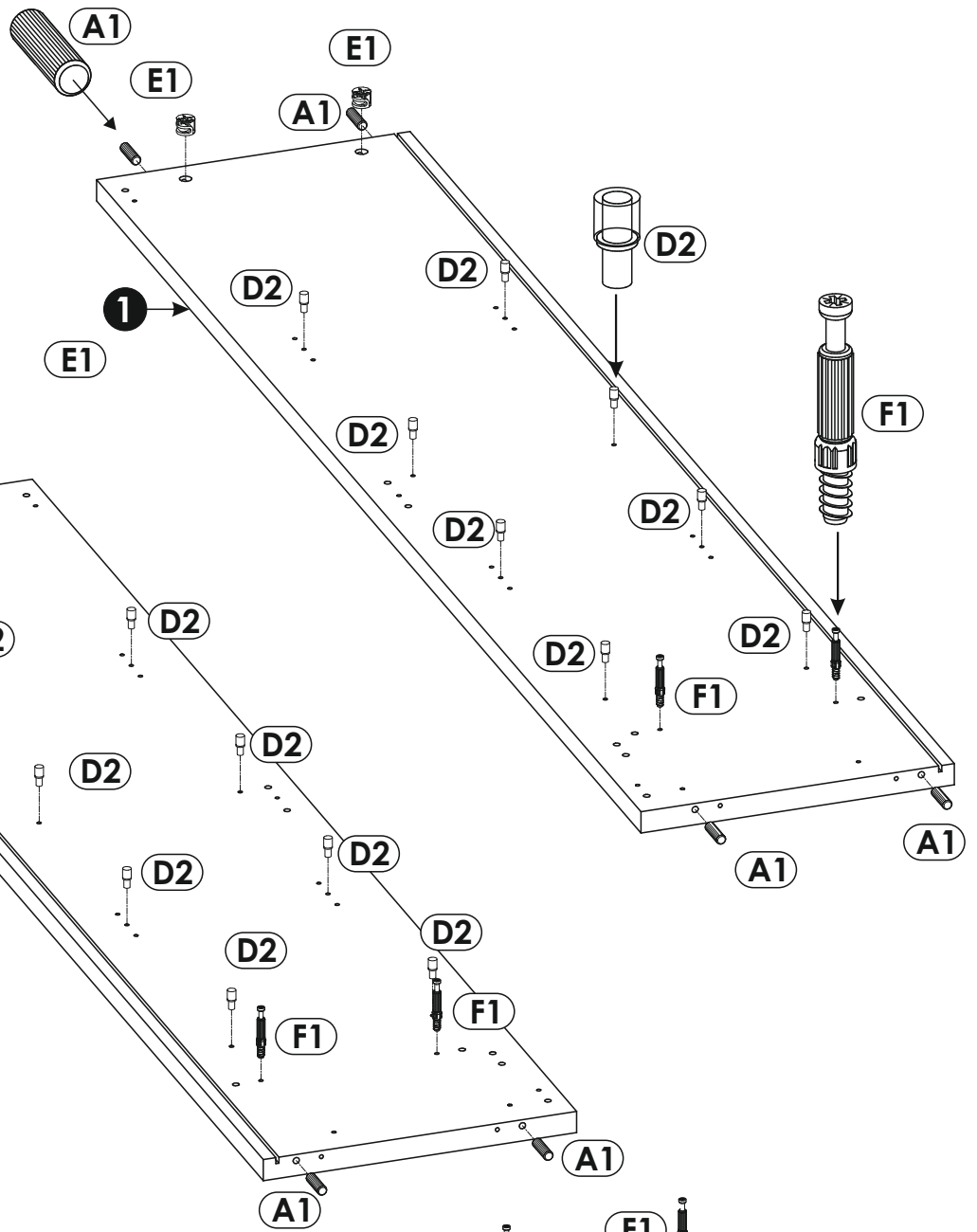
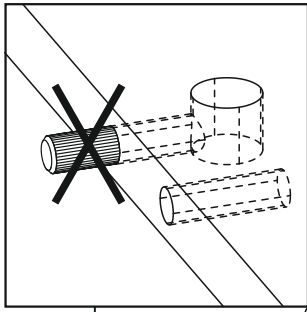


1	1904	399	28	x1	3/3
2	1904	399	28	x1	3/3
3	660	400	28	x1	1/3
4	660	400	28	x1	1/3
5	603	349	16	x1	2/3
6	603	333	16	x4	1/3
7	203	349	16	x1	2/3
8	503	60	16	x1	2/3
9	497	157	16	x1	2/3
10	497	157	16	x1	2/3
11	789	497	4	x1	2/3
12	397	497	4	x1	2/3
13	497	109	16	x1	2/3
14	497	157	16	x1	2/3
15	497	157	16	x1	2/3
16	100	1904	16	x1	3/3
17	497	157	16	x1	2/3
18	446	80	16	x1	2/3
19	330	80	16	x1	2/3
20	330	80	16	x1	2/3
21	477	305	3	x1	1/3
22	1917	616	3	x1	3/3

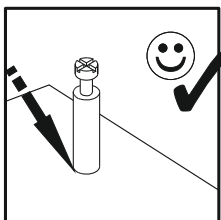
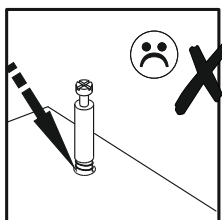
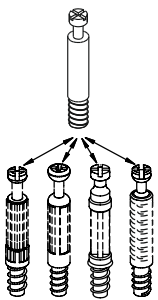




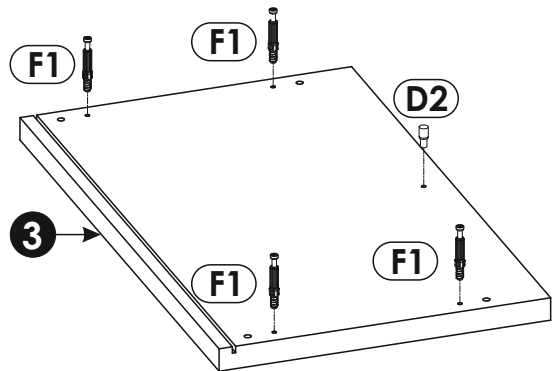
1 ▶



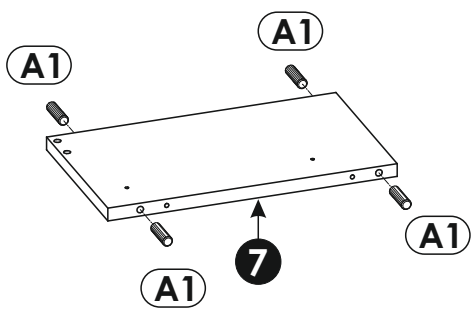
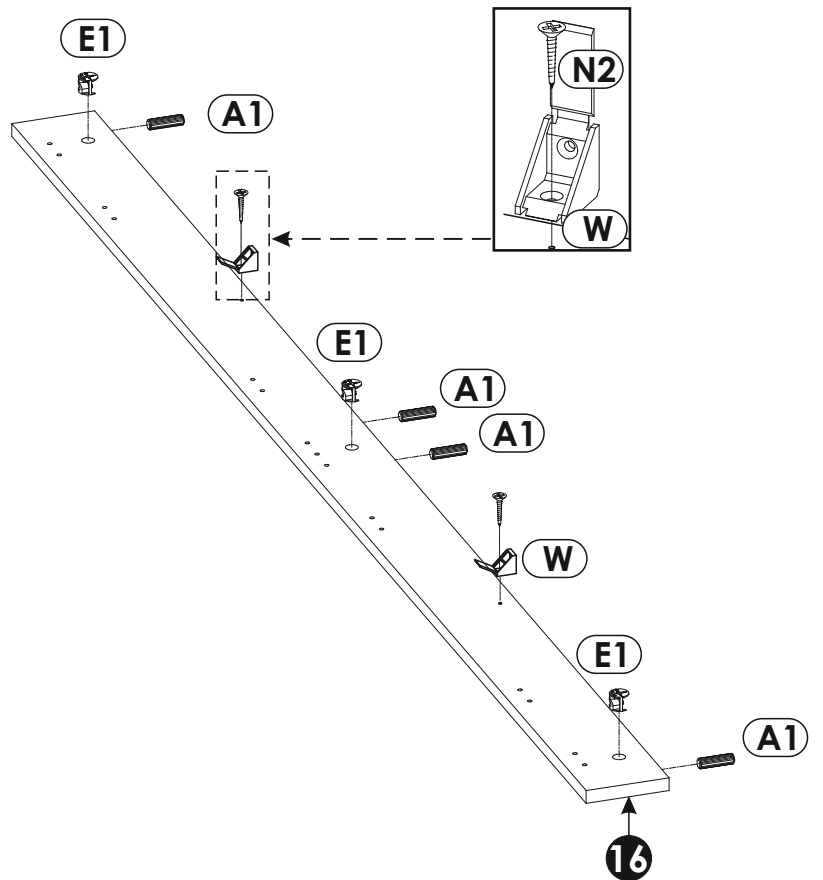
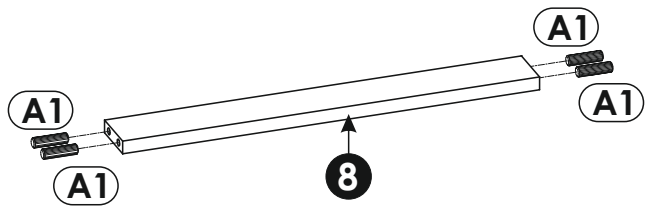
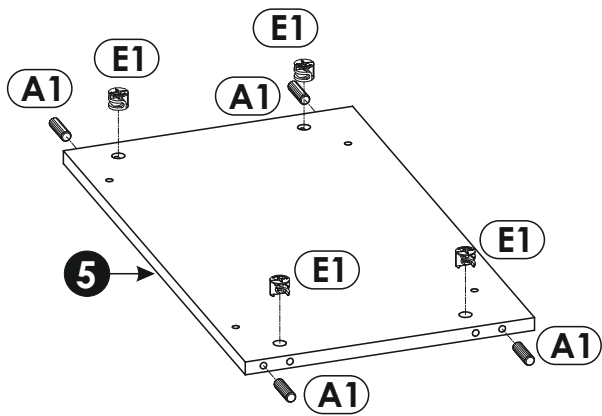
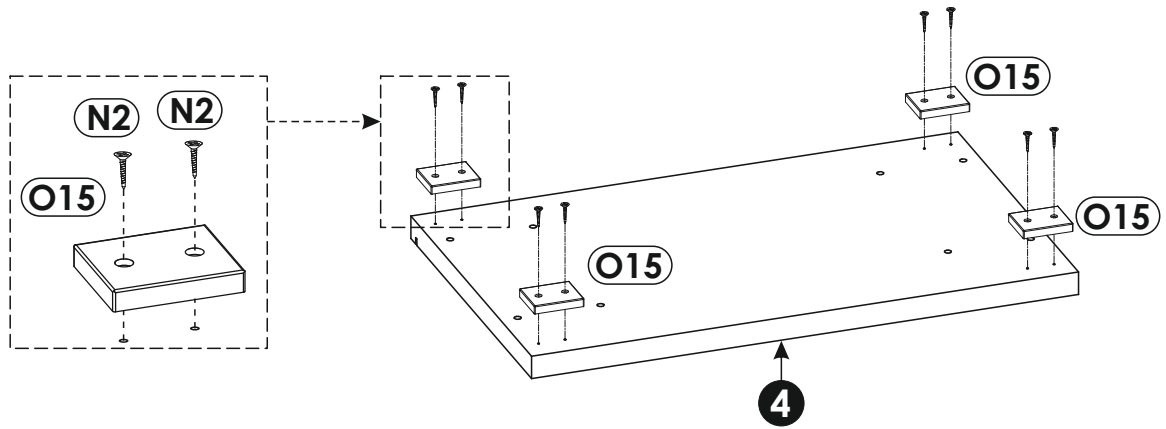
2 ▶



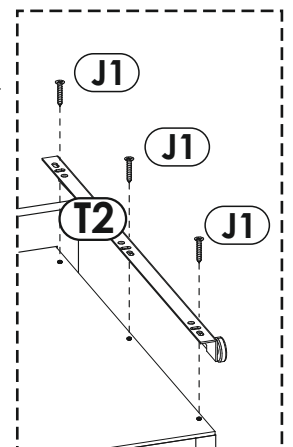
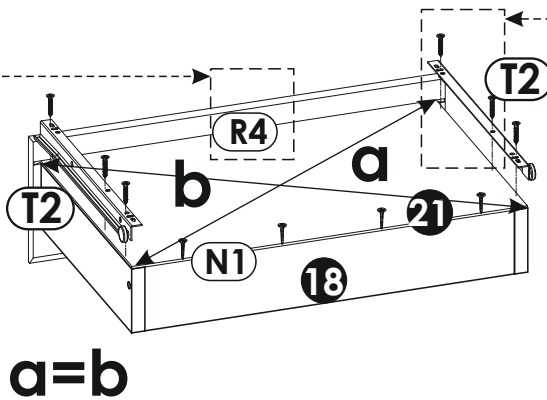
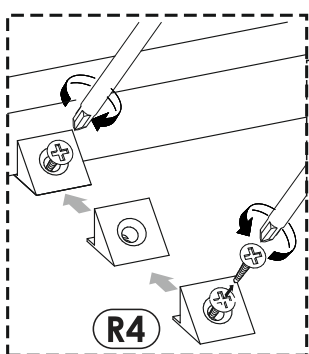
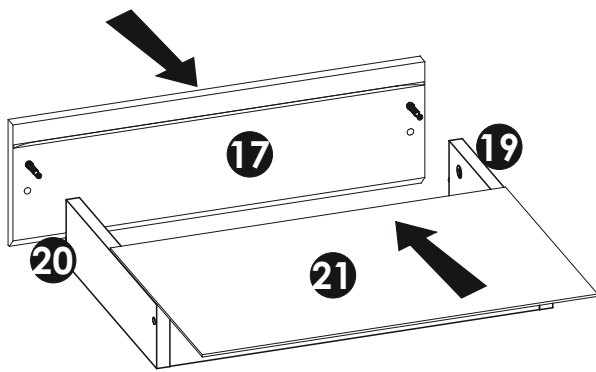
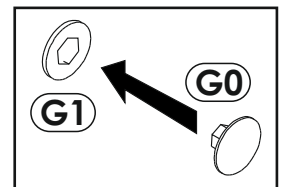
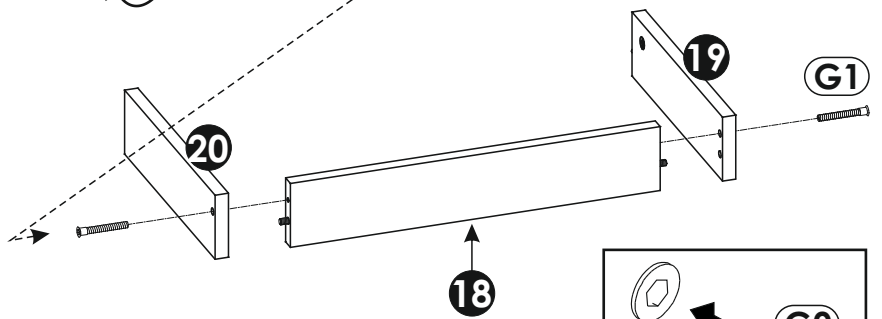
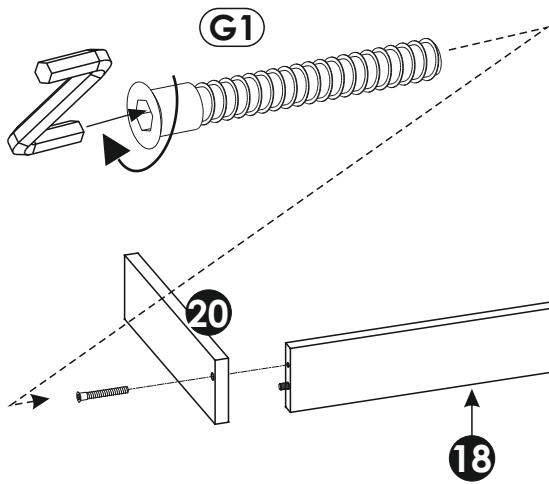
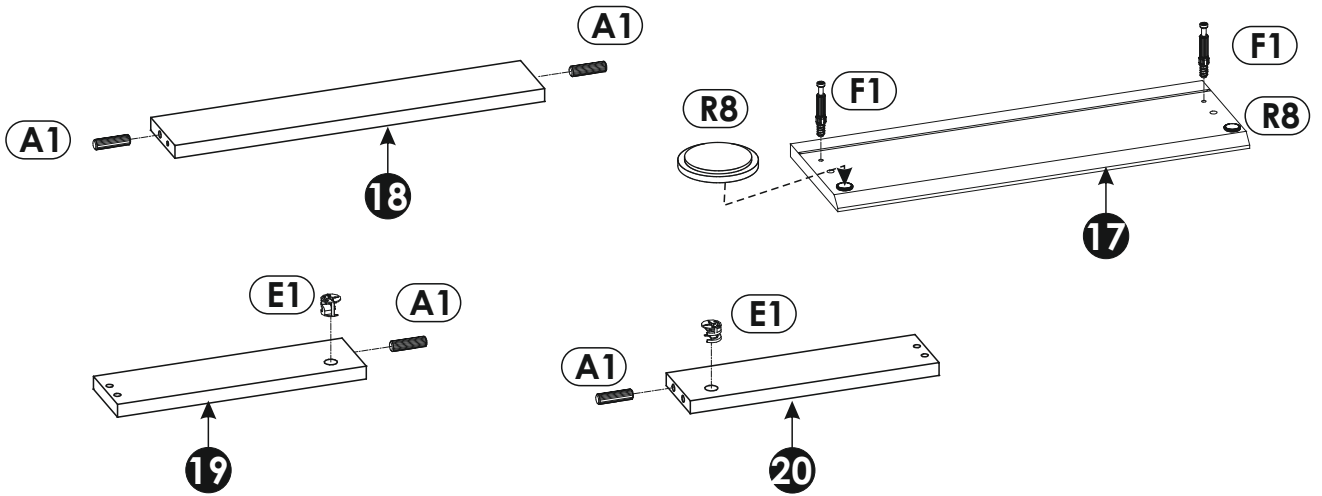
3 ▶



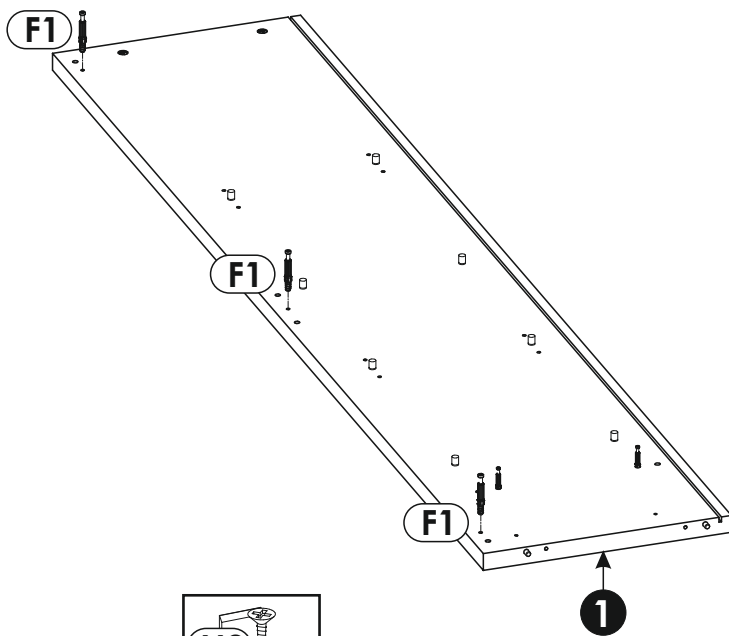
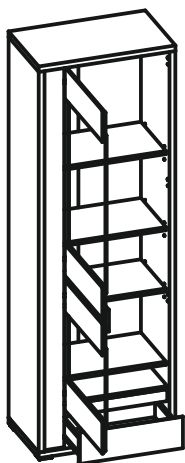
2 ▶



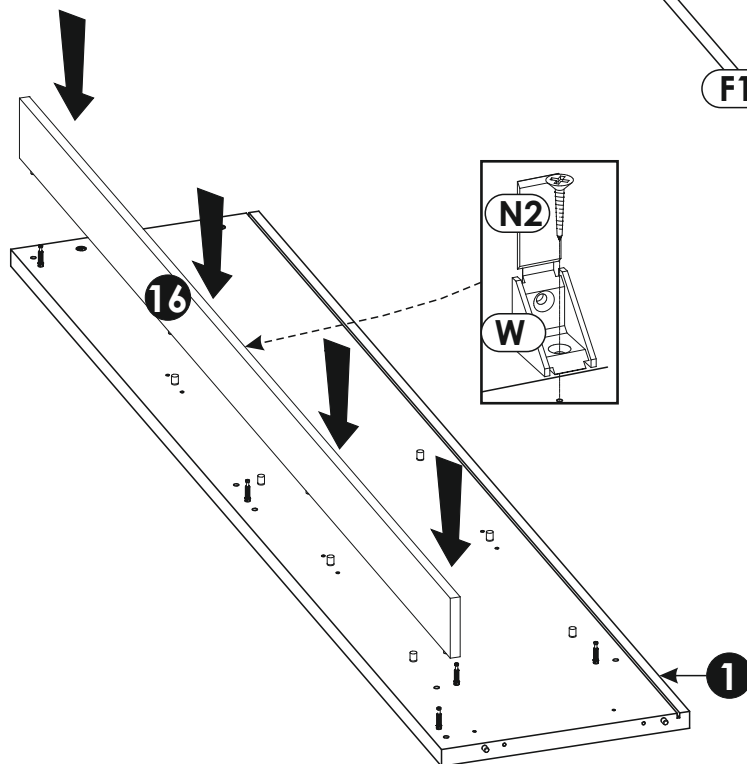
3 ▶



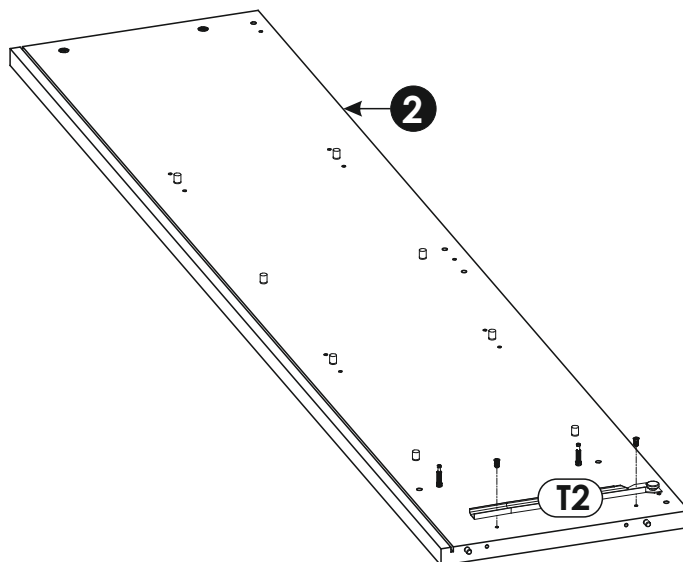
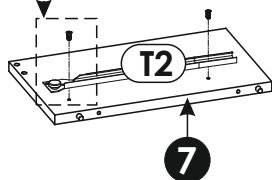
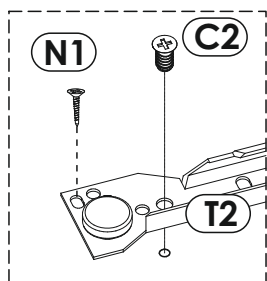
4a ▶



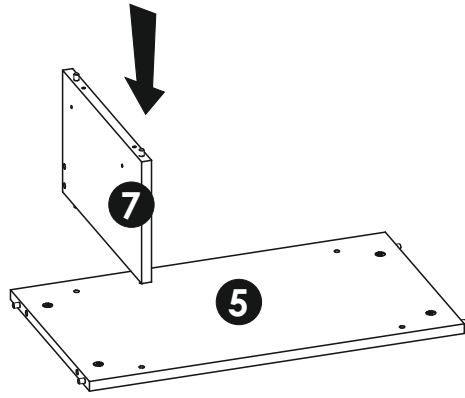
5a ▶



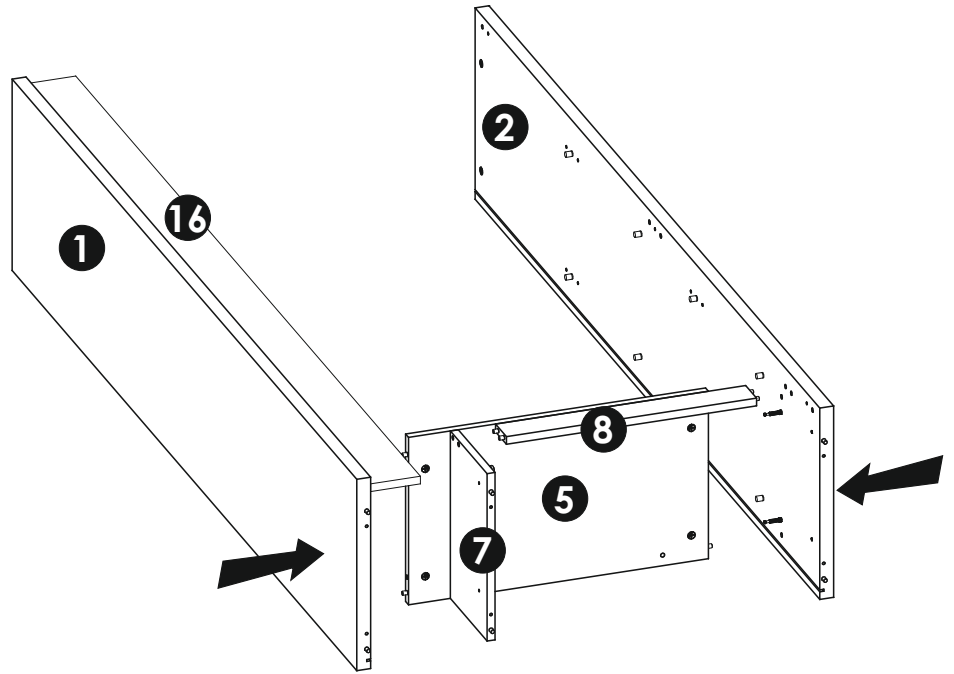
6a ▶



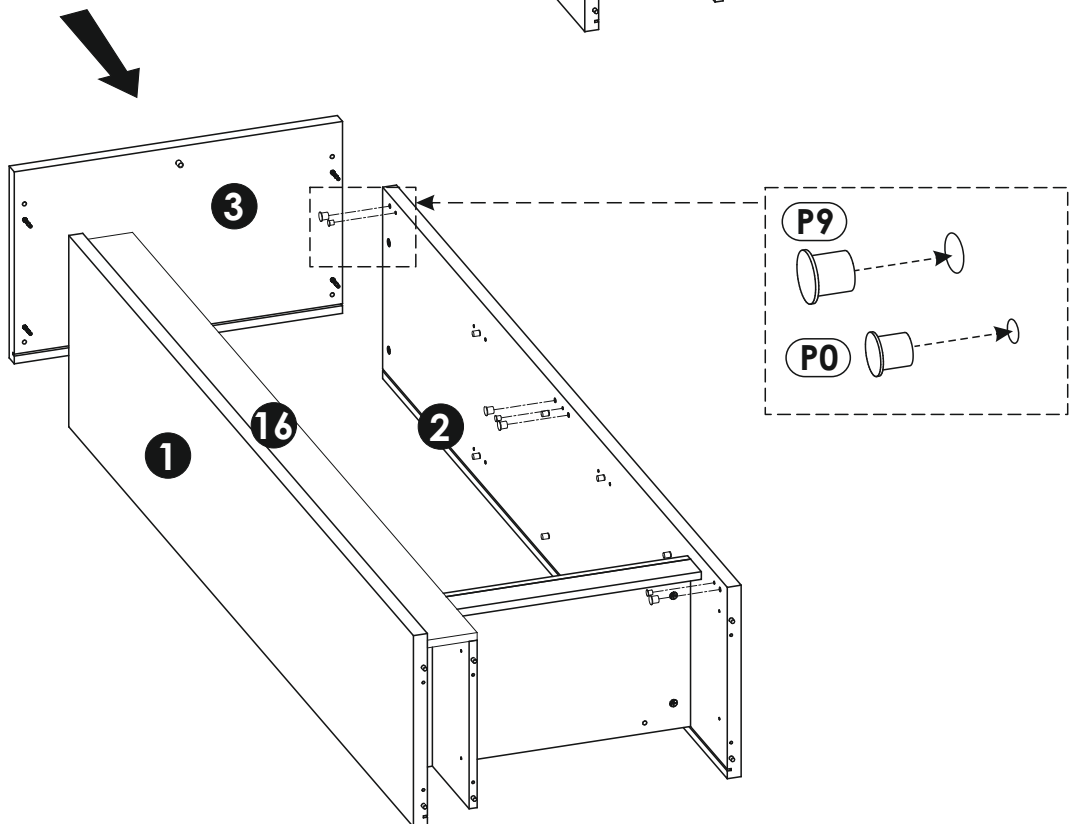
7a ▶



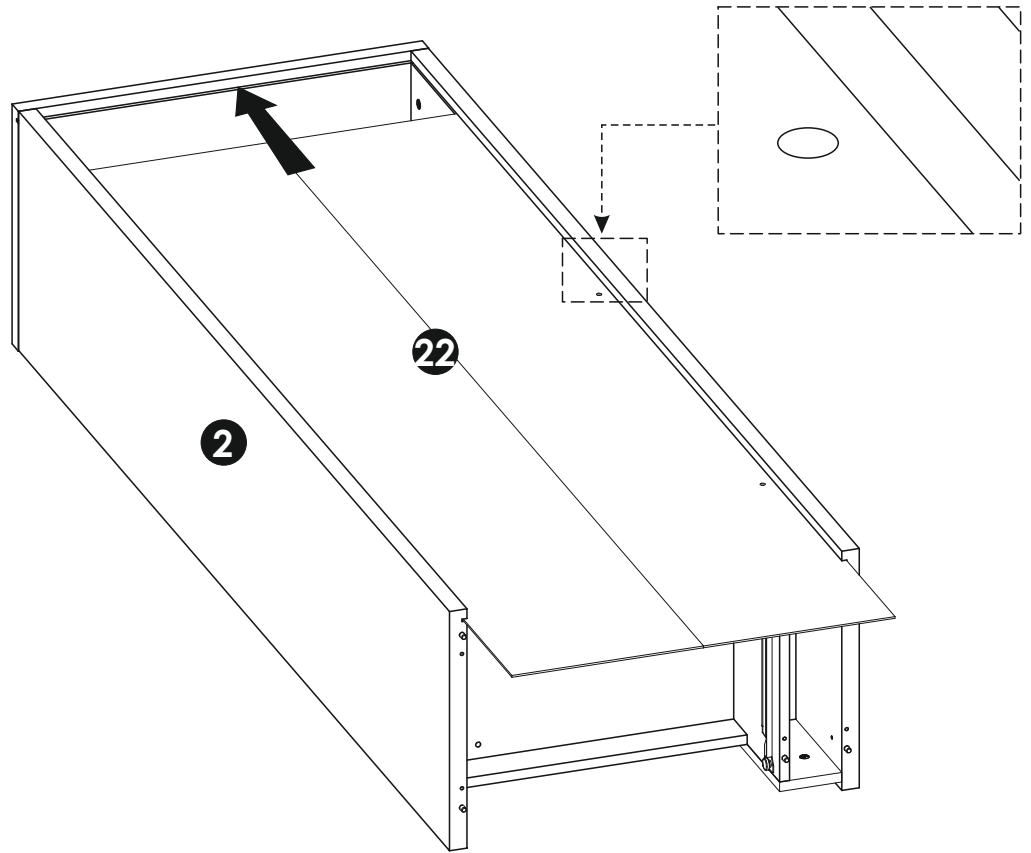
8a ▶



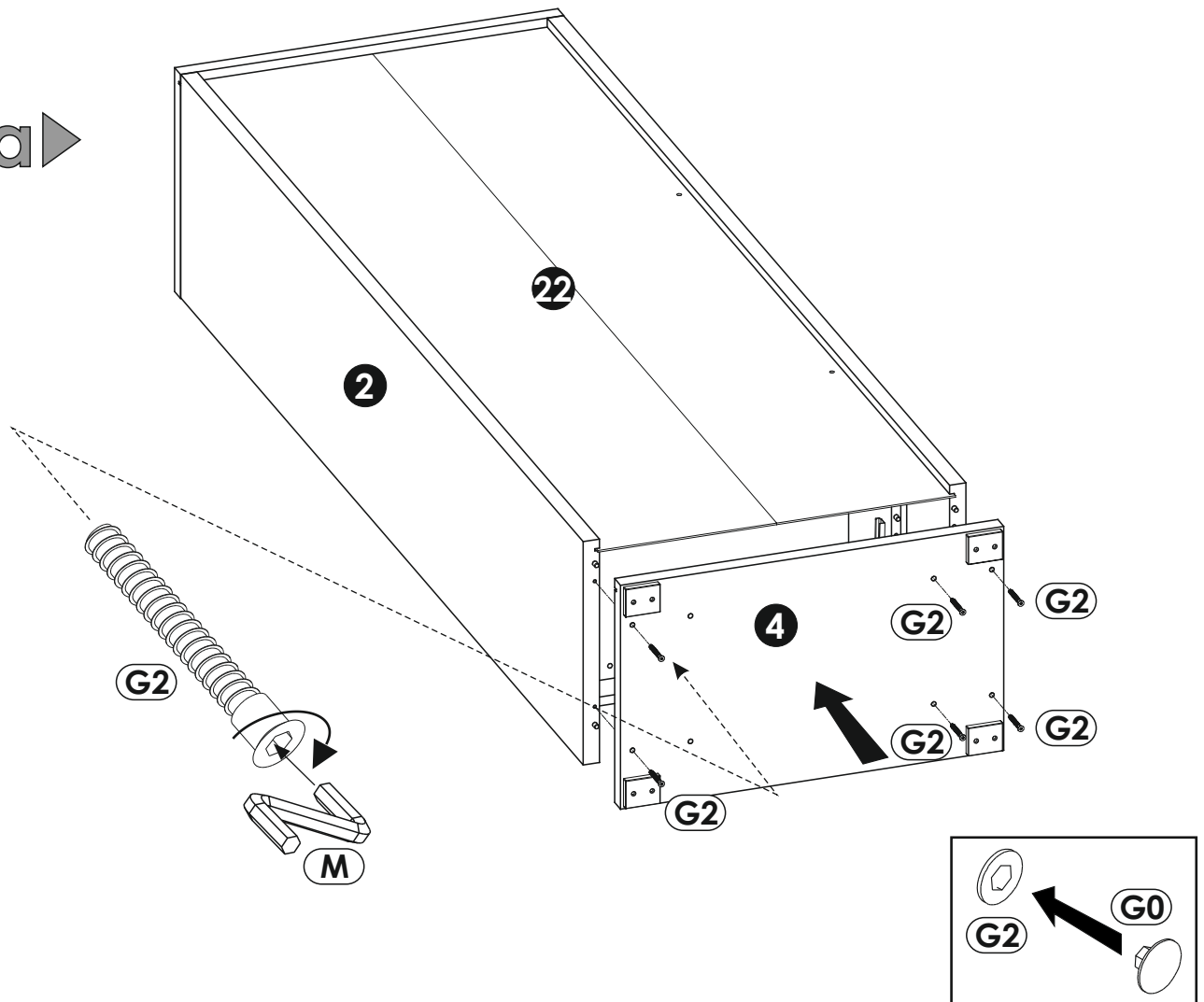
9a ▶



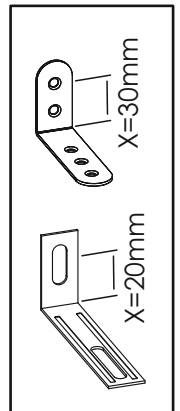
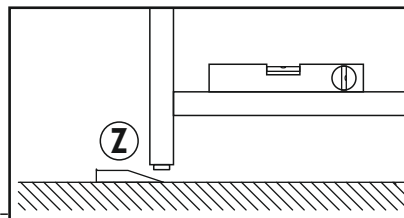
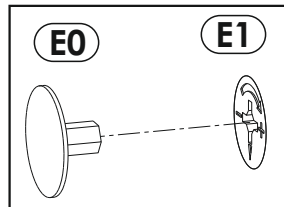
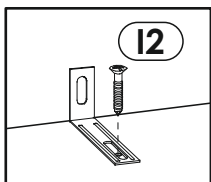
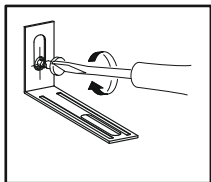
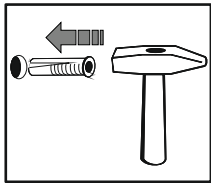
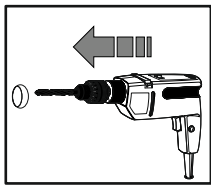
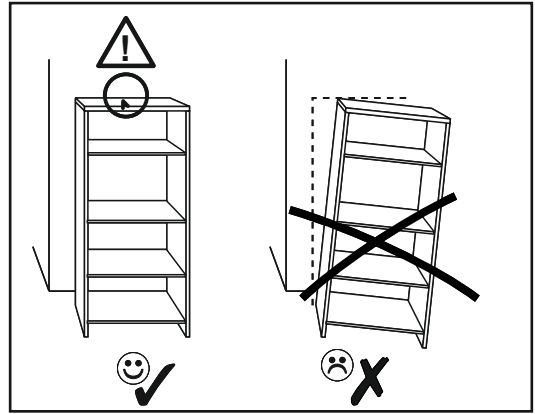
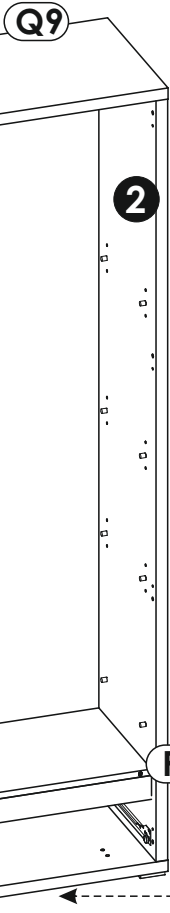
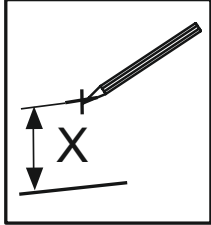
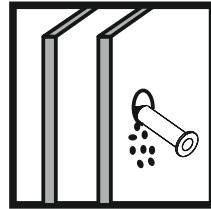
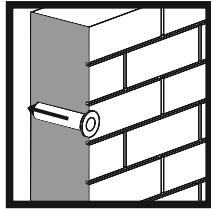
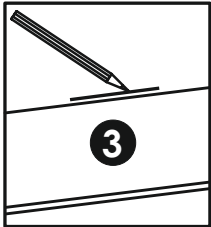
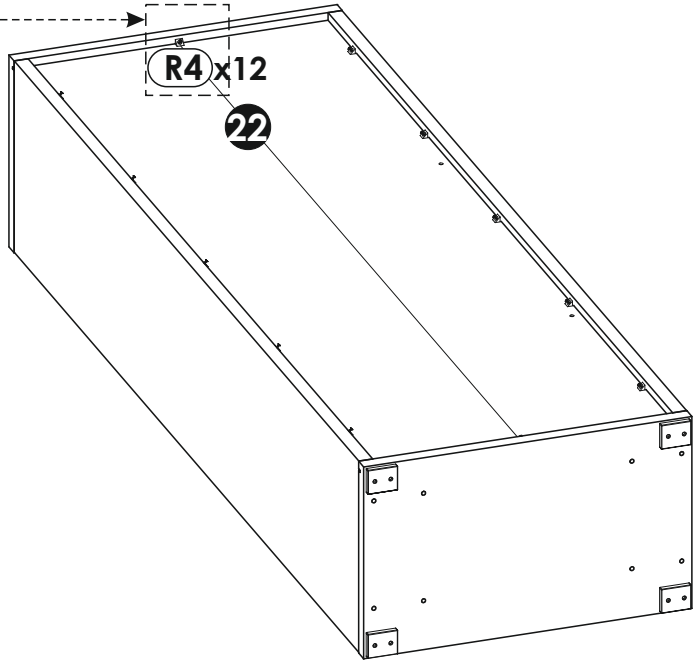
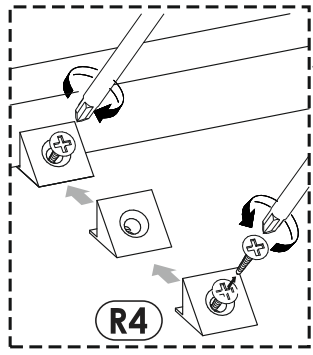
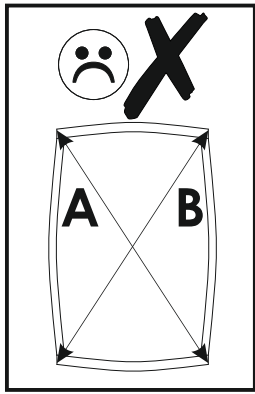
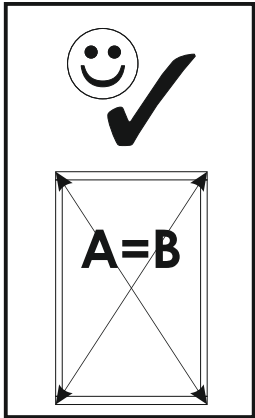
10a ▶



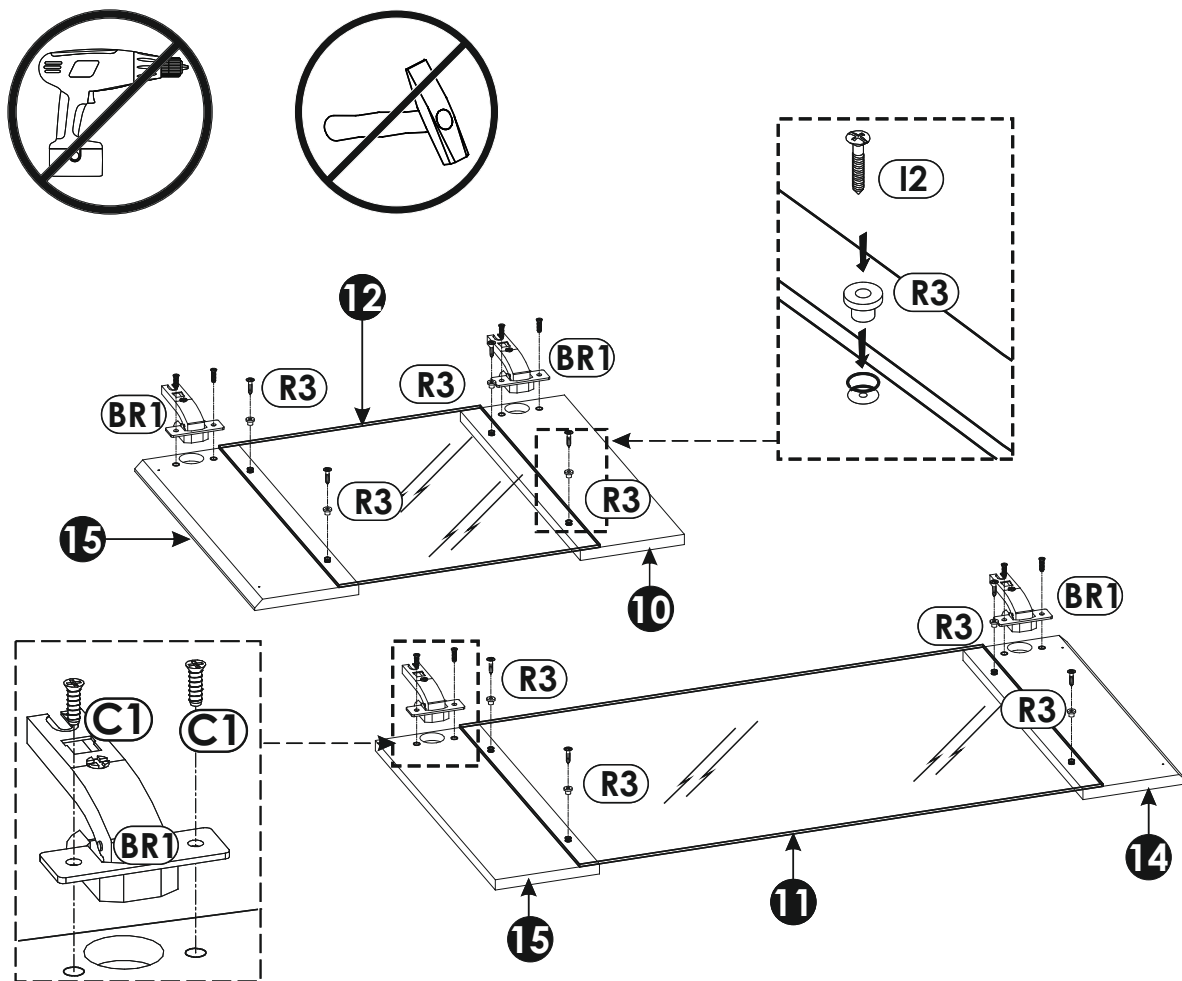
11a ▶



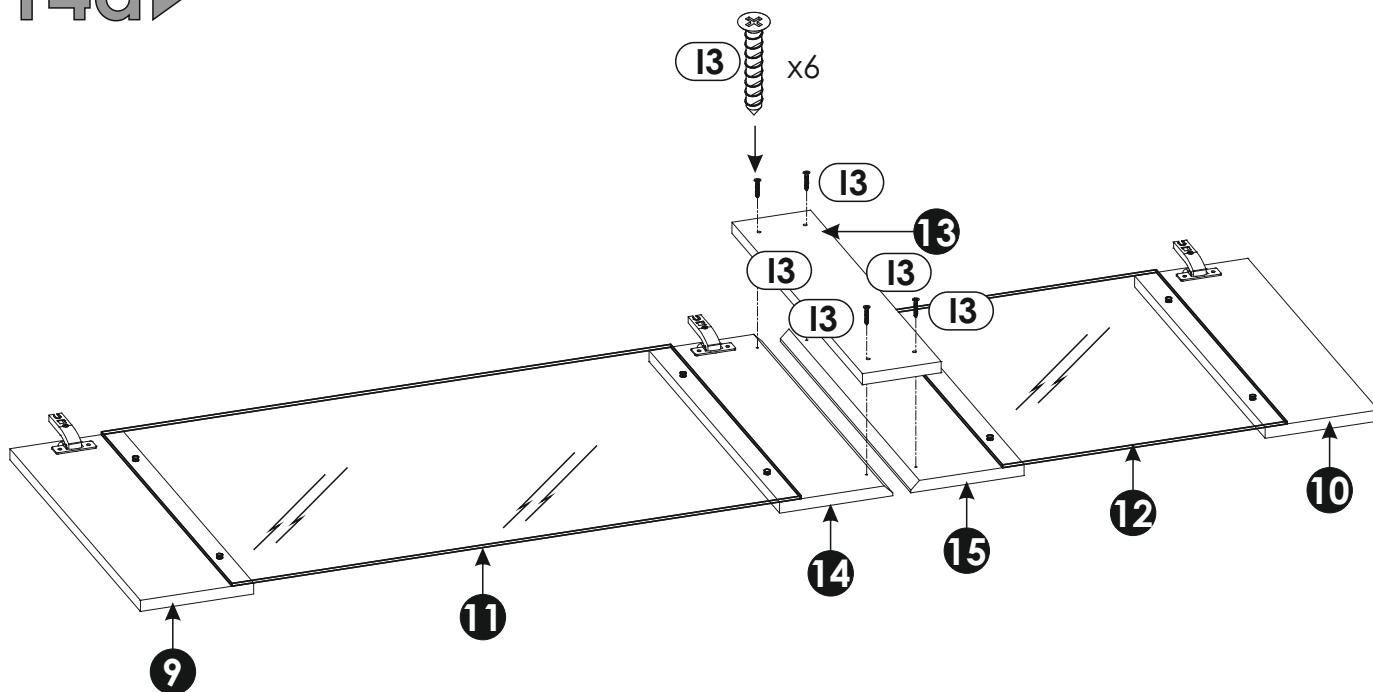
12a ▶



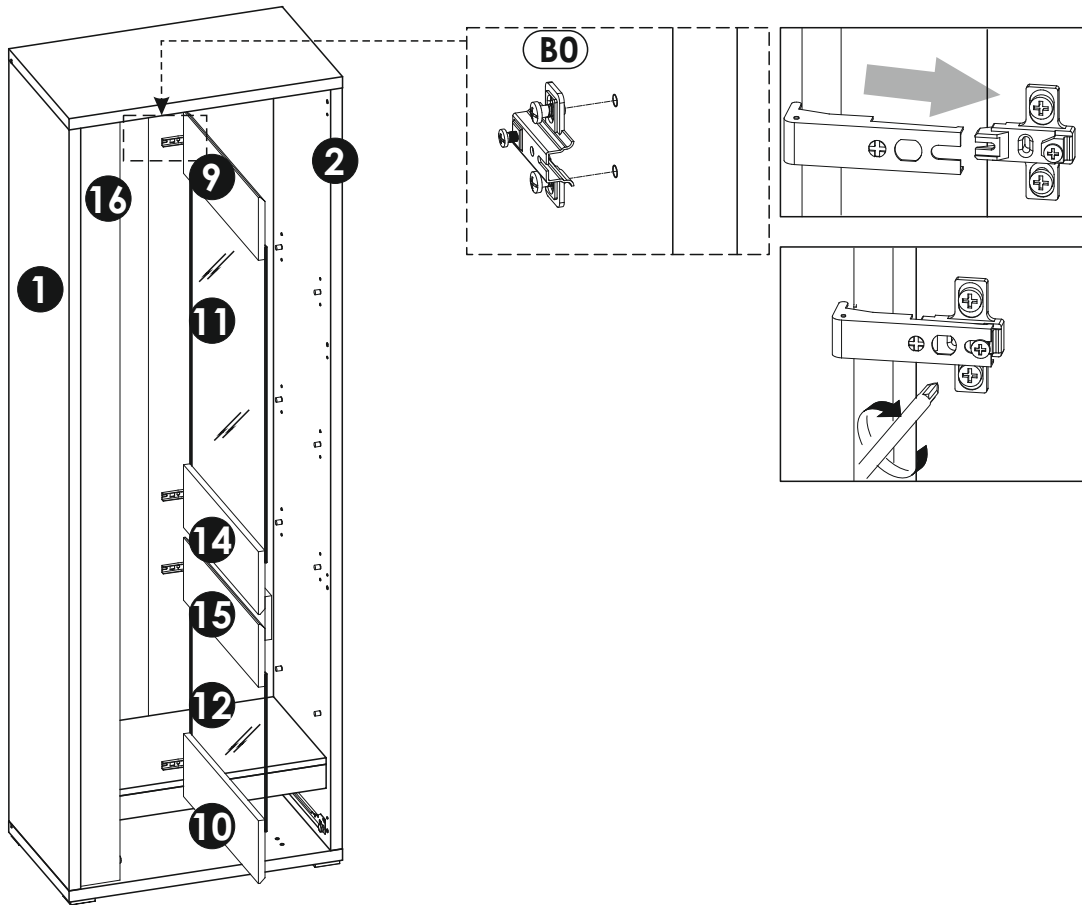
13a ▶



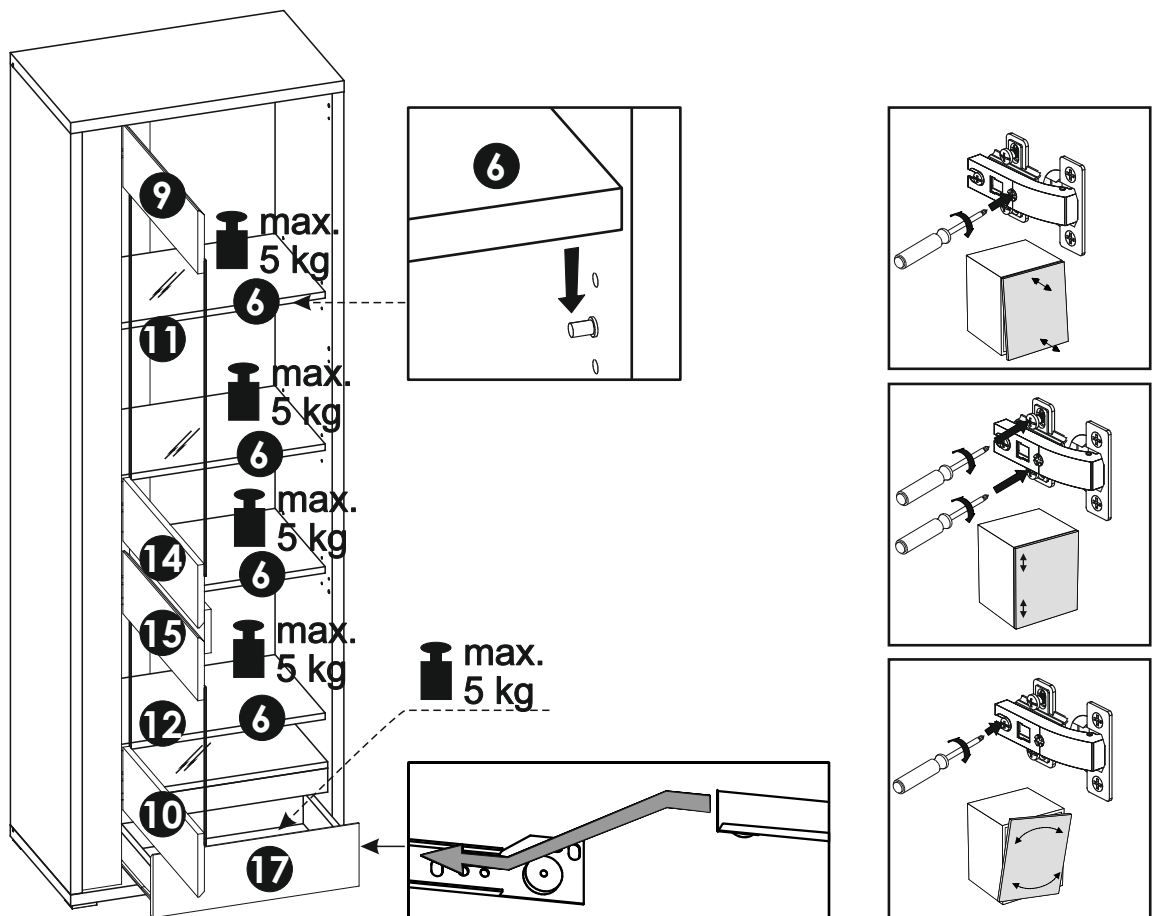
14a ▶



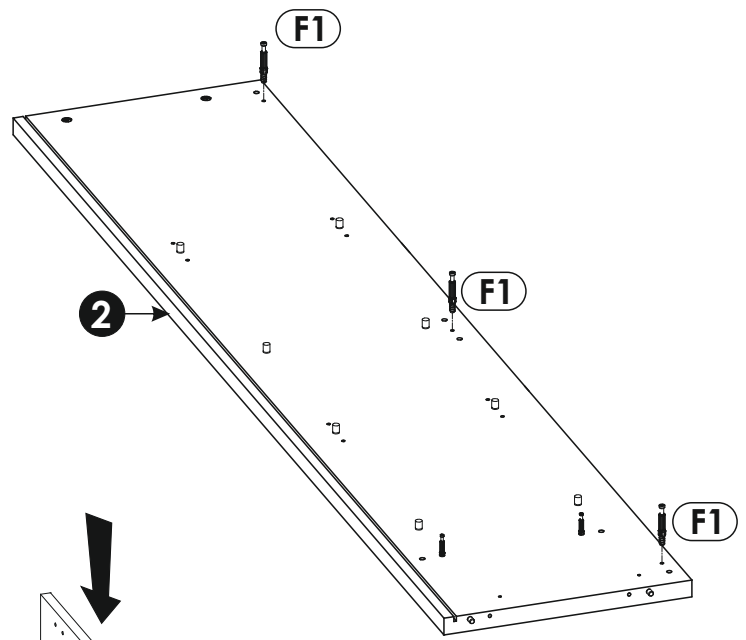
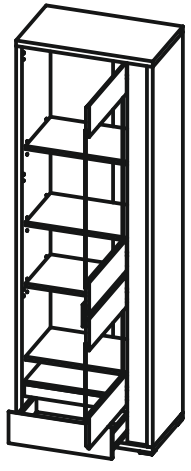
15a ▶



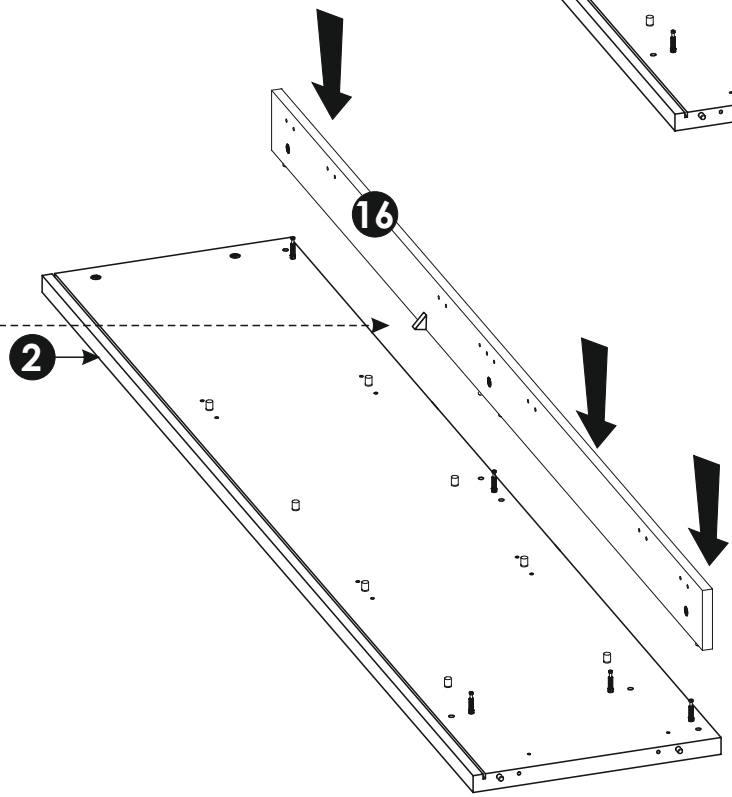
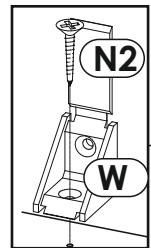
16a ▶



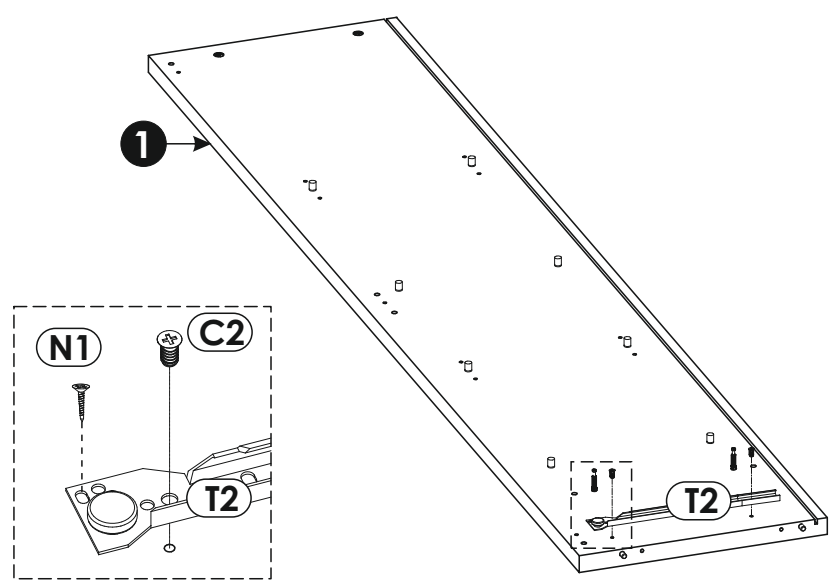
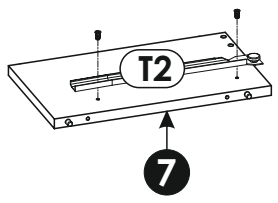
4b ▶



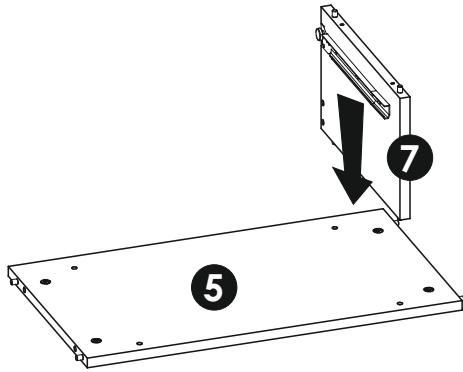
5b ▶



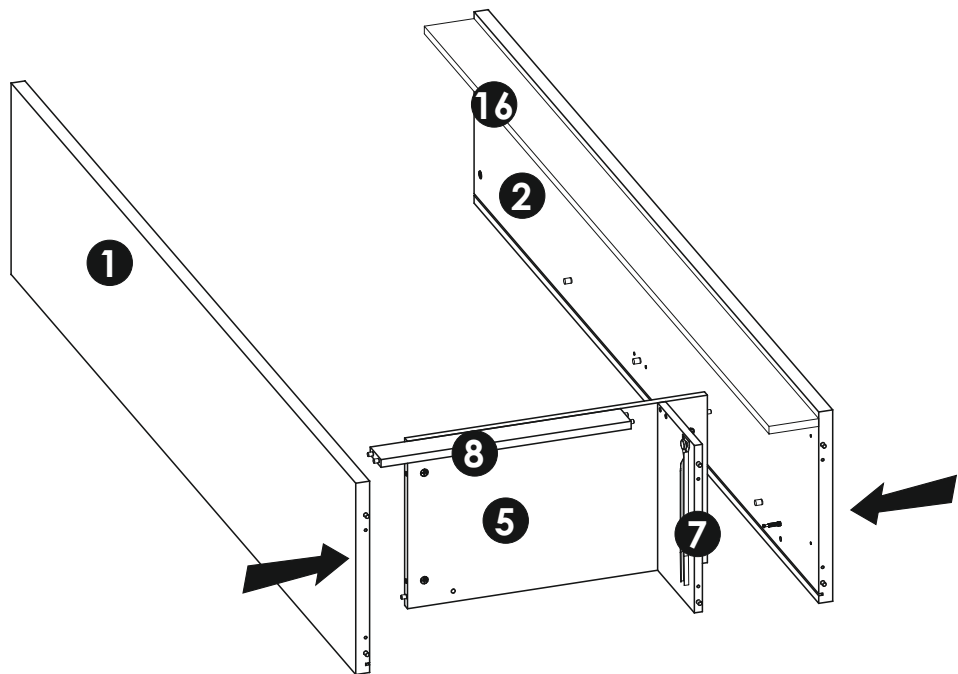
6b ▶



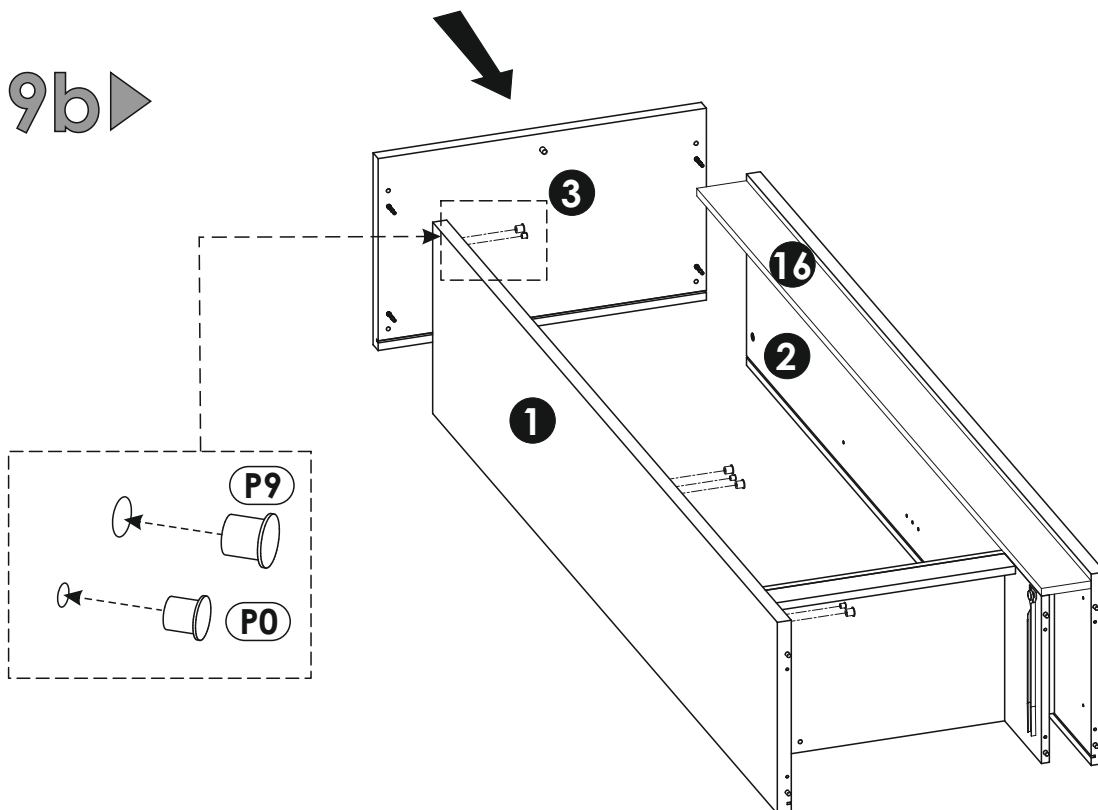
7b ▶



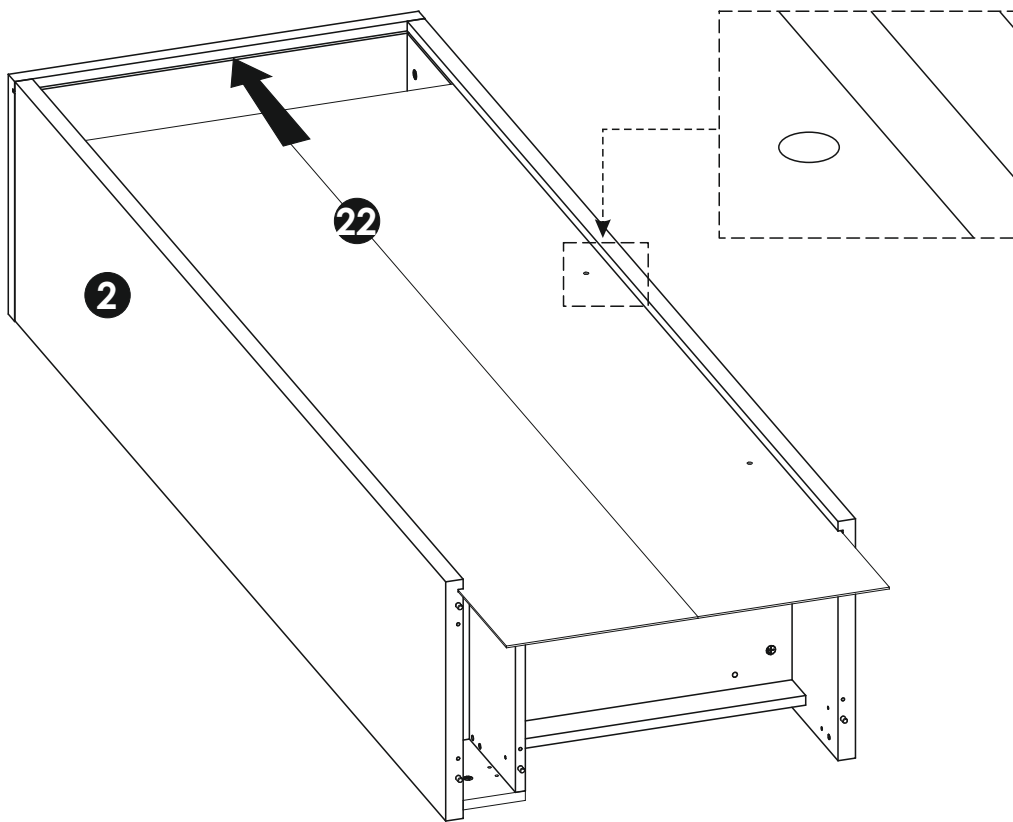
8b ▶



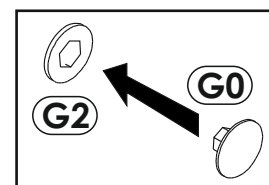
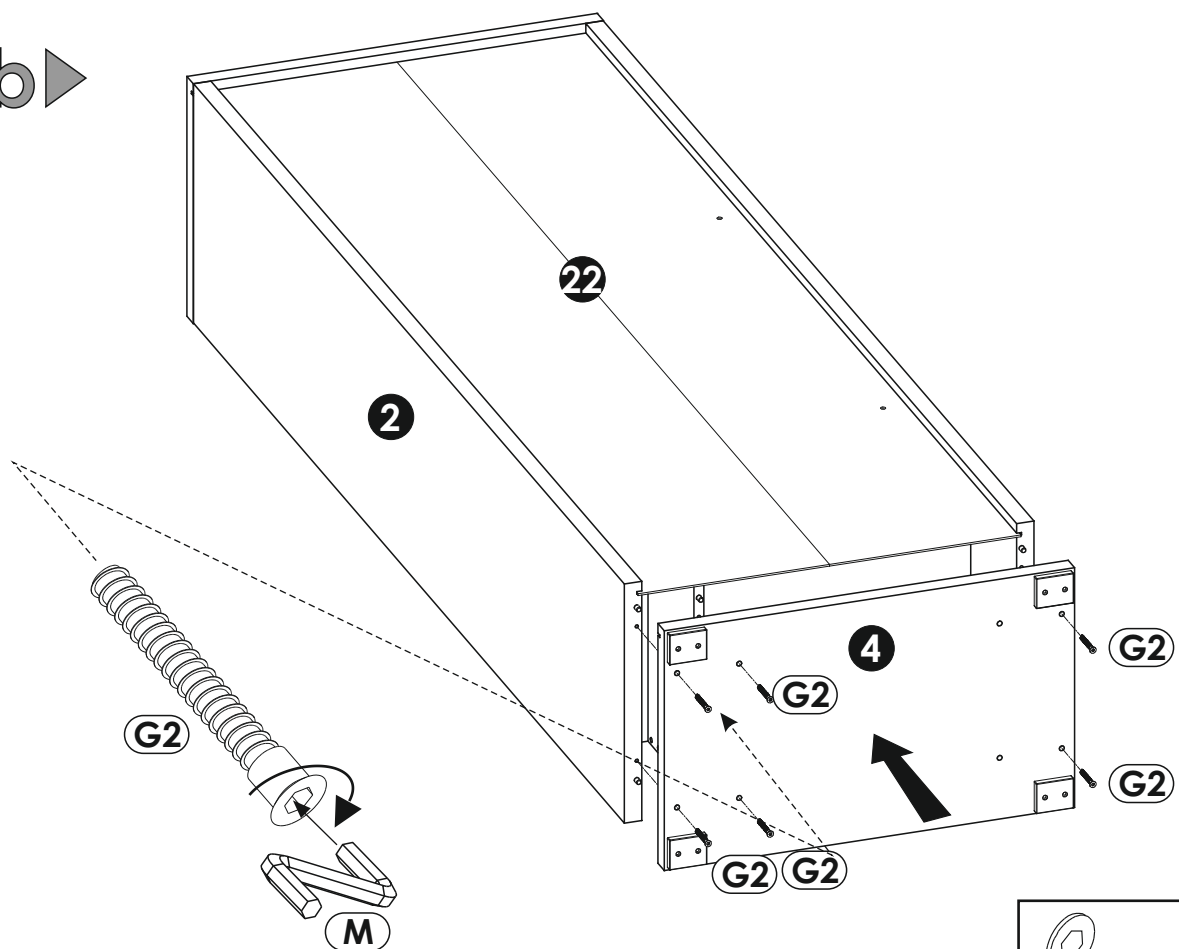
9b ▶



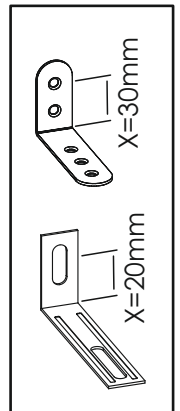
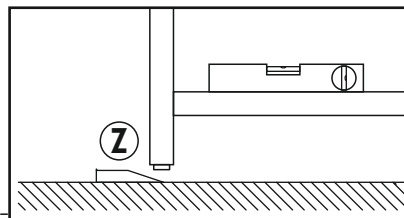
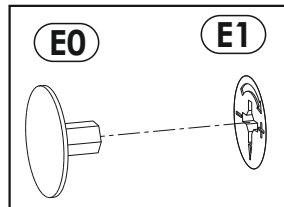
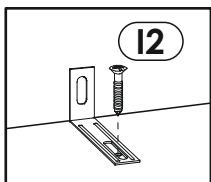
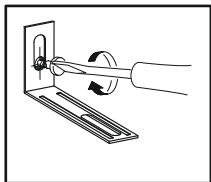
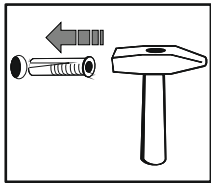
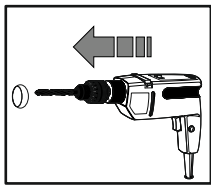
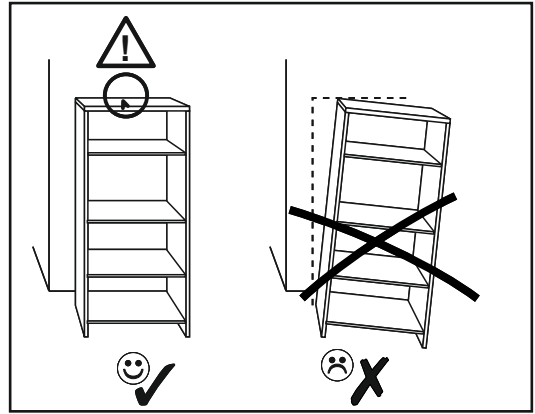
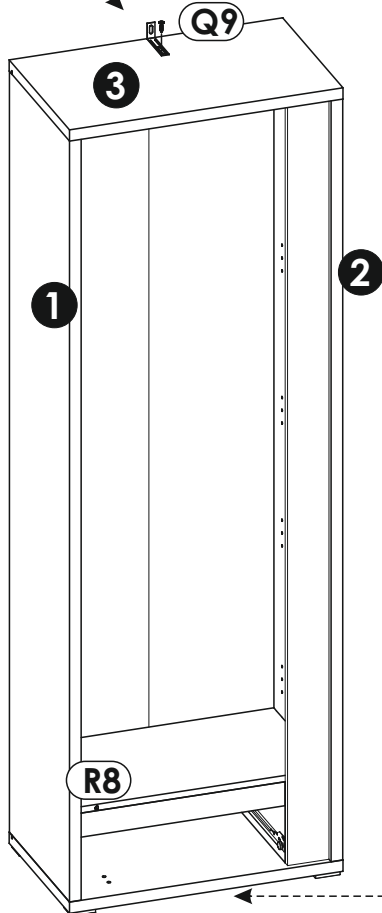
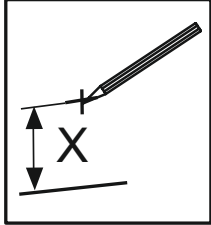
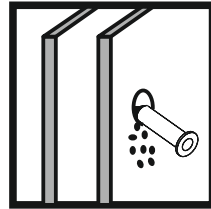
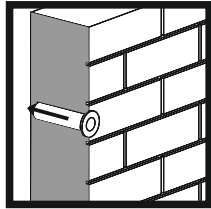
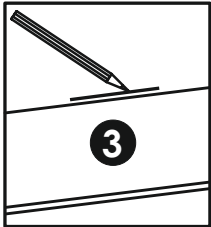
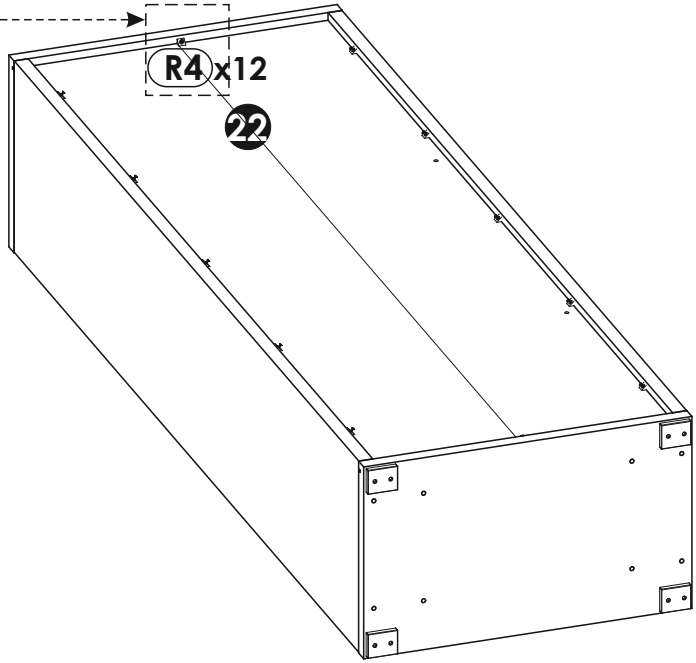
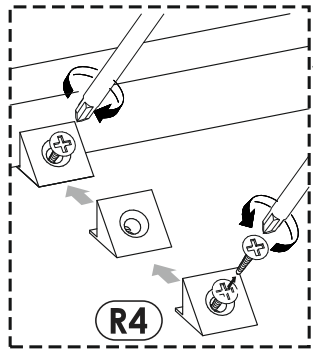
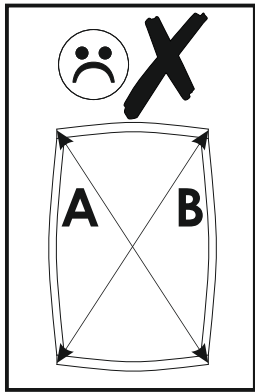
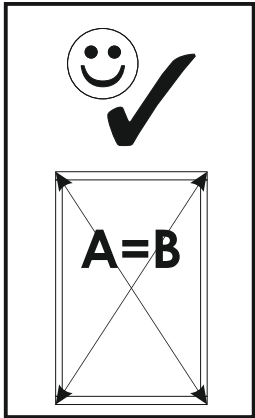
10b ▶



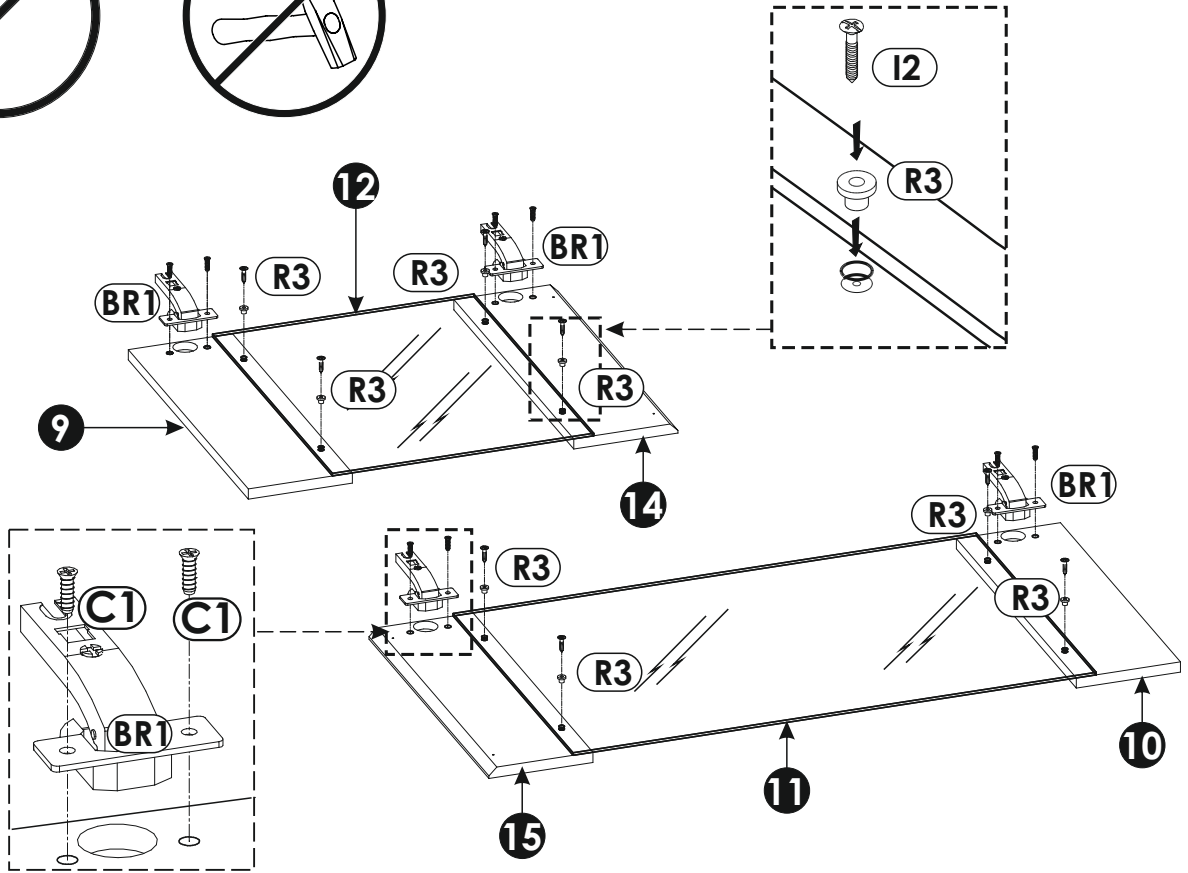
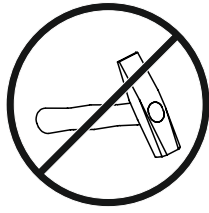
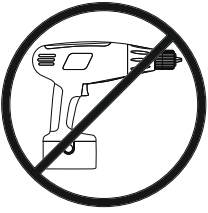
11b ▶



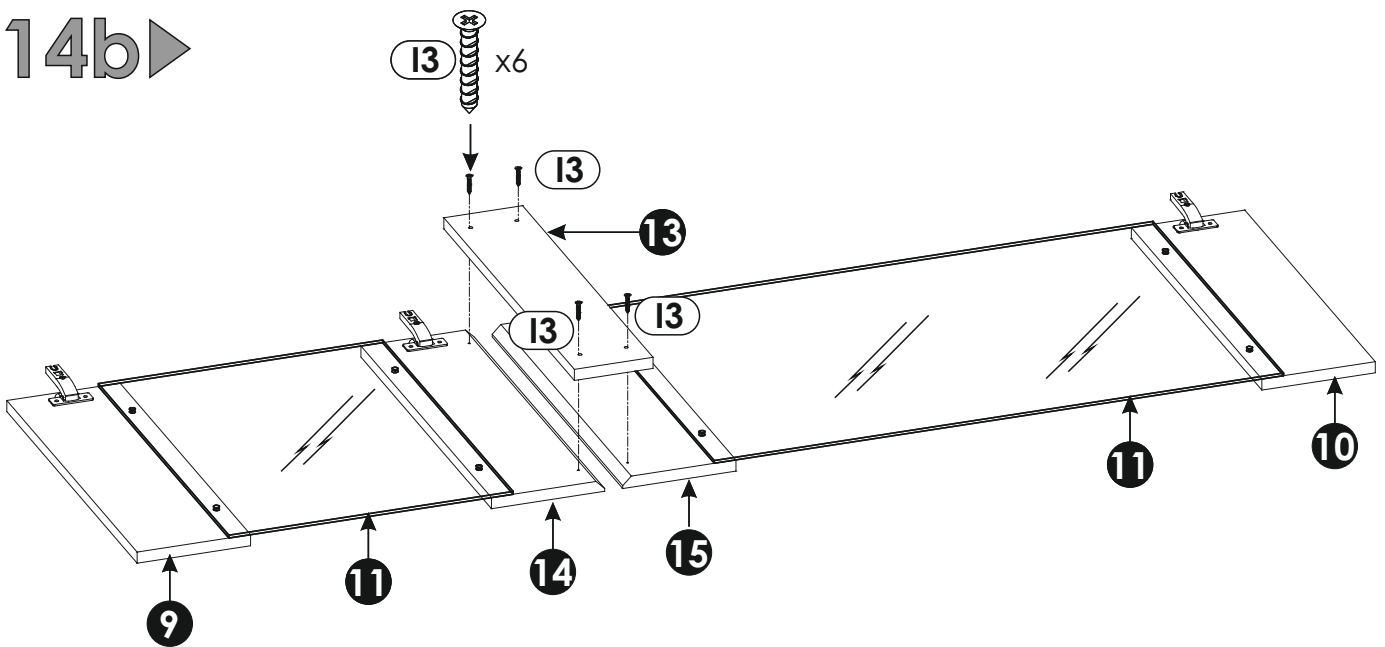
12a ▶



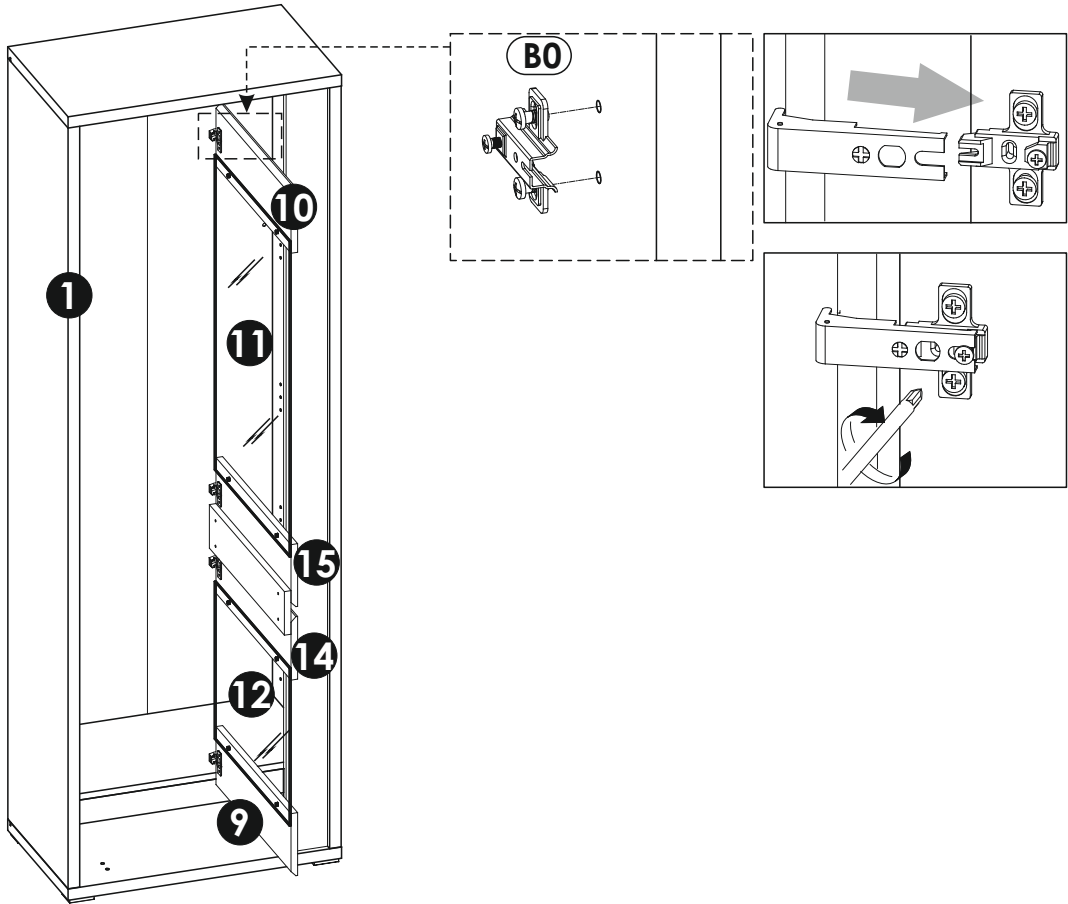
13b ▶



14b ▶



15a ▶



16a ▶



max.
5 kg

