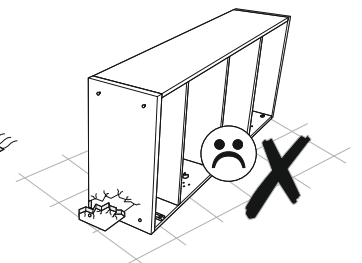
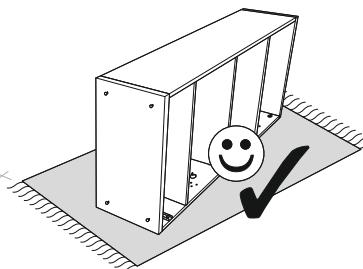
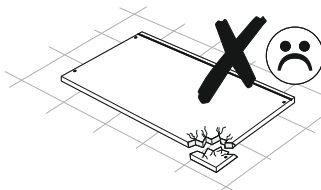
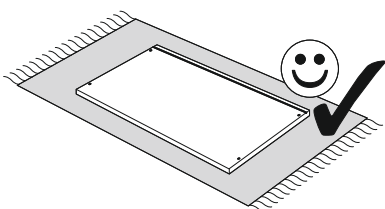
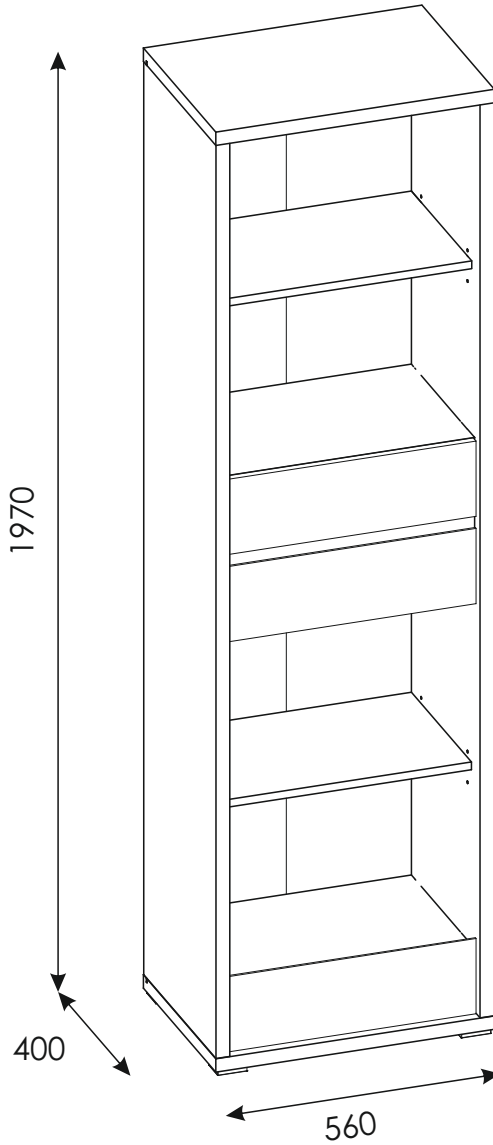
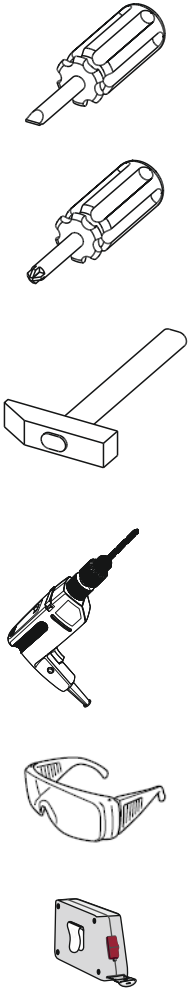
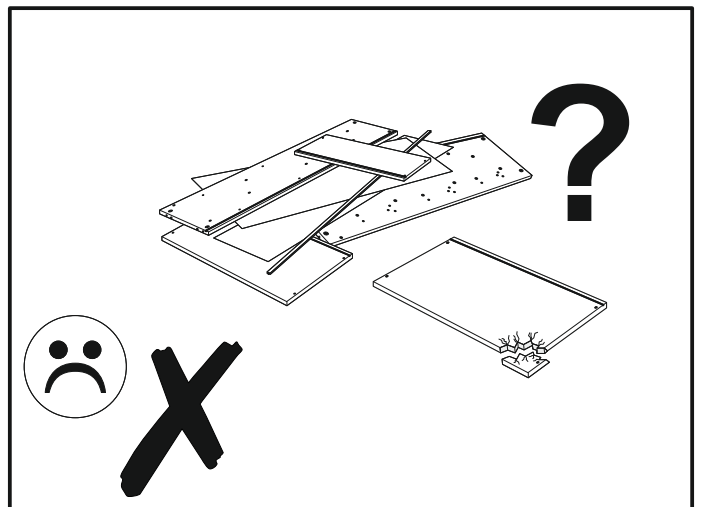
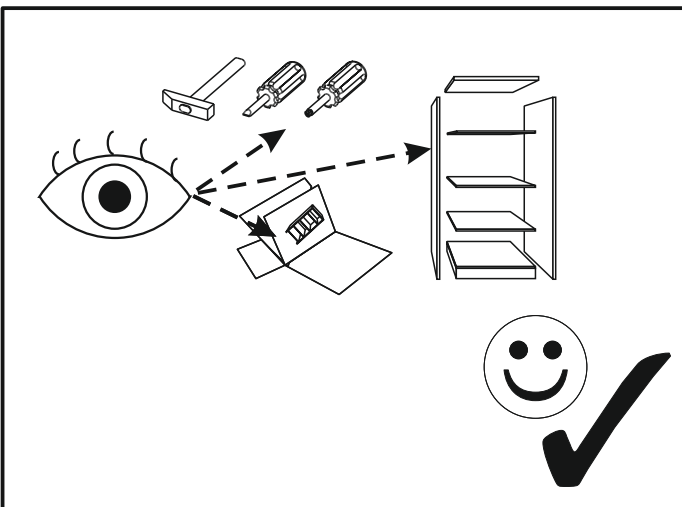
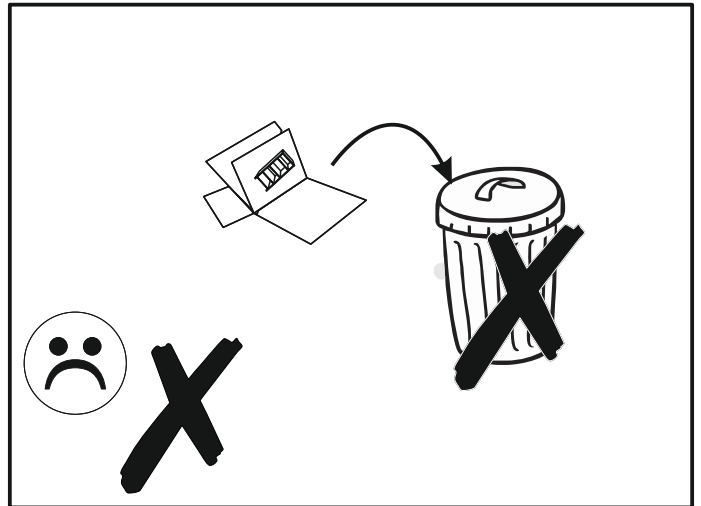
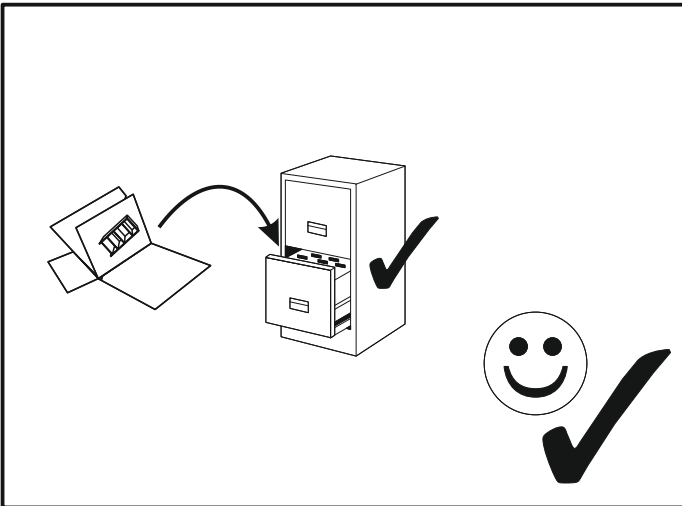
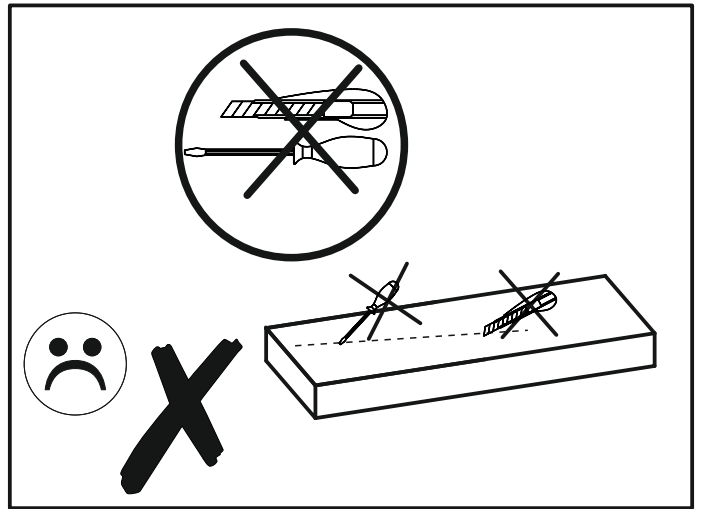
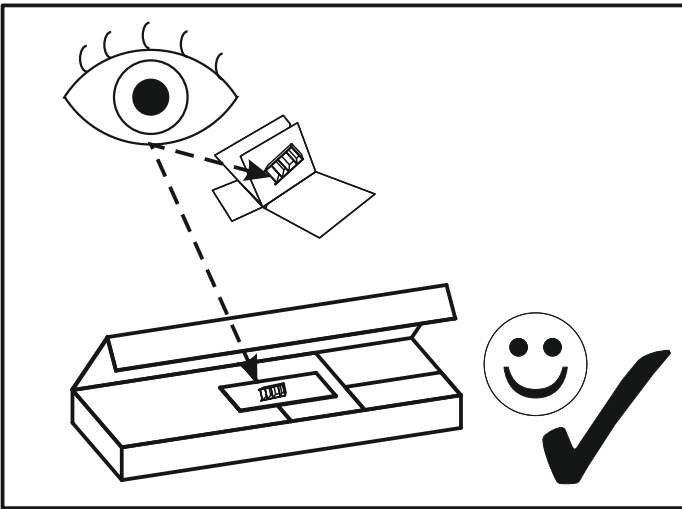


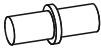





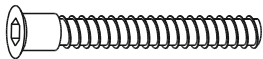

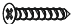
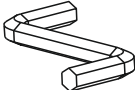


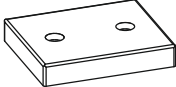

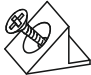

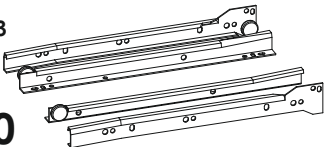
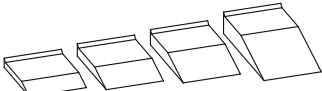
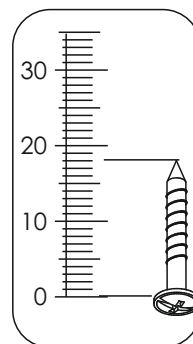
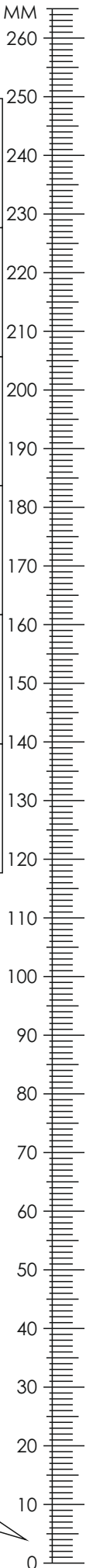


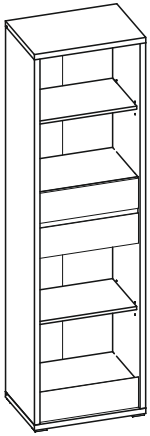
# SHELDON TYP 11



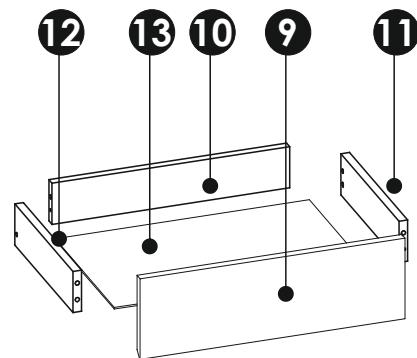
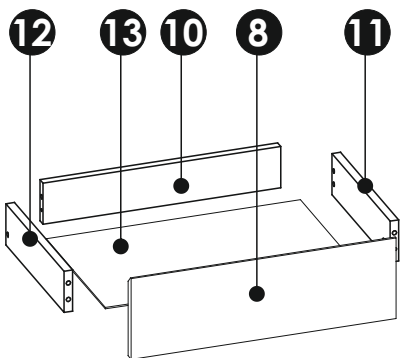
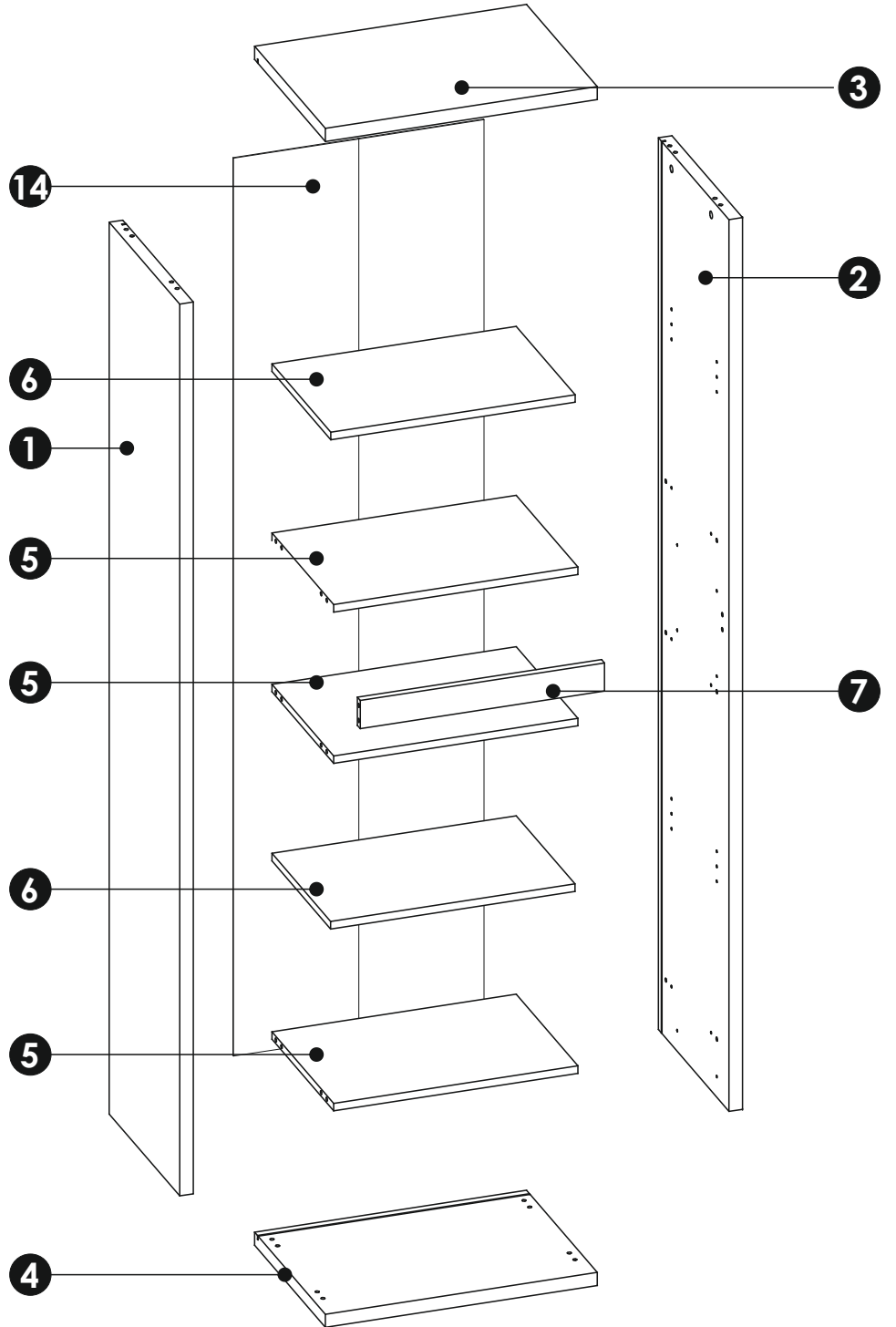


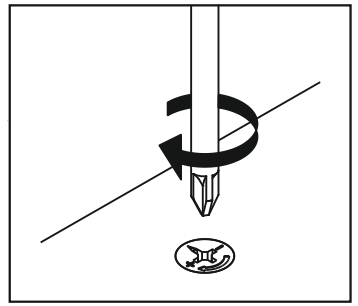
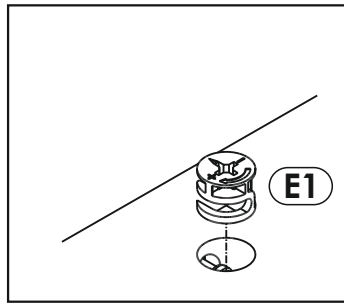
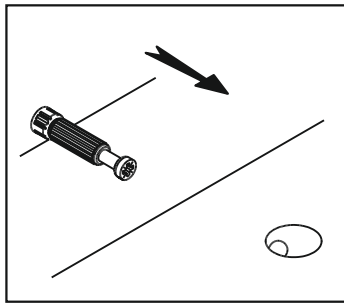
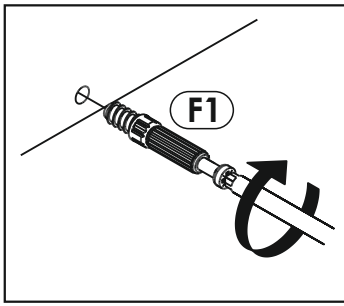
<b>A1</b> x36 $\varnothing 8 \times 35\text{mm}$ 	<b>C2</b> x12 EURO 5 x 13mm 	<b>D2</b> x8 
<b>E0</b> x22 	<b>E1</b> x22 $\varnothing 15 \times 12\text{mm}$ 	<b>F1</b> x22 
<b>G0</b> x10 	<b>G1</b> x6 $\varnothing 7 \times 50\text{mm}$ 	<b>G2</b> x4 $\varnothing 7 \times 60\text{mm}$ 
<b>I2</b> x1 4 x 16mm 	<b>J1</b> x18 US 3 x 20mm 	<b>M</b> x1 
<b>N1</b> x20 US 3 x 16mm 	<b>N2</b> x8 US 3,5 x 16mm 	<b>O15</b> x4 
<b>Q9</b> x1 	<b>R4</b> x13 	<b>R8</b> x6 
<b>T2</b> x3 <b>L-300</b> 	<b>Z</b> x1 	



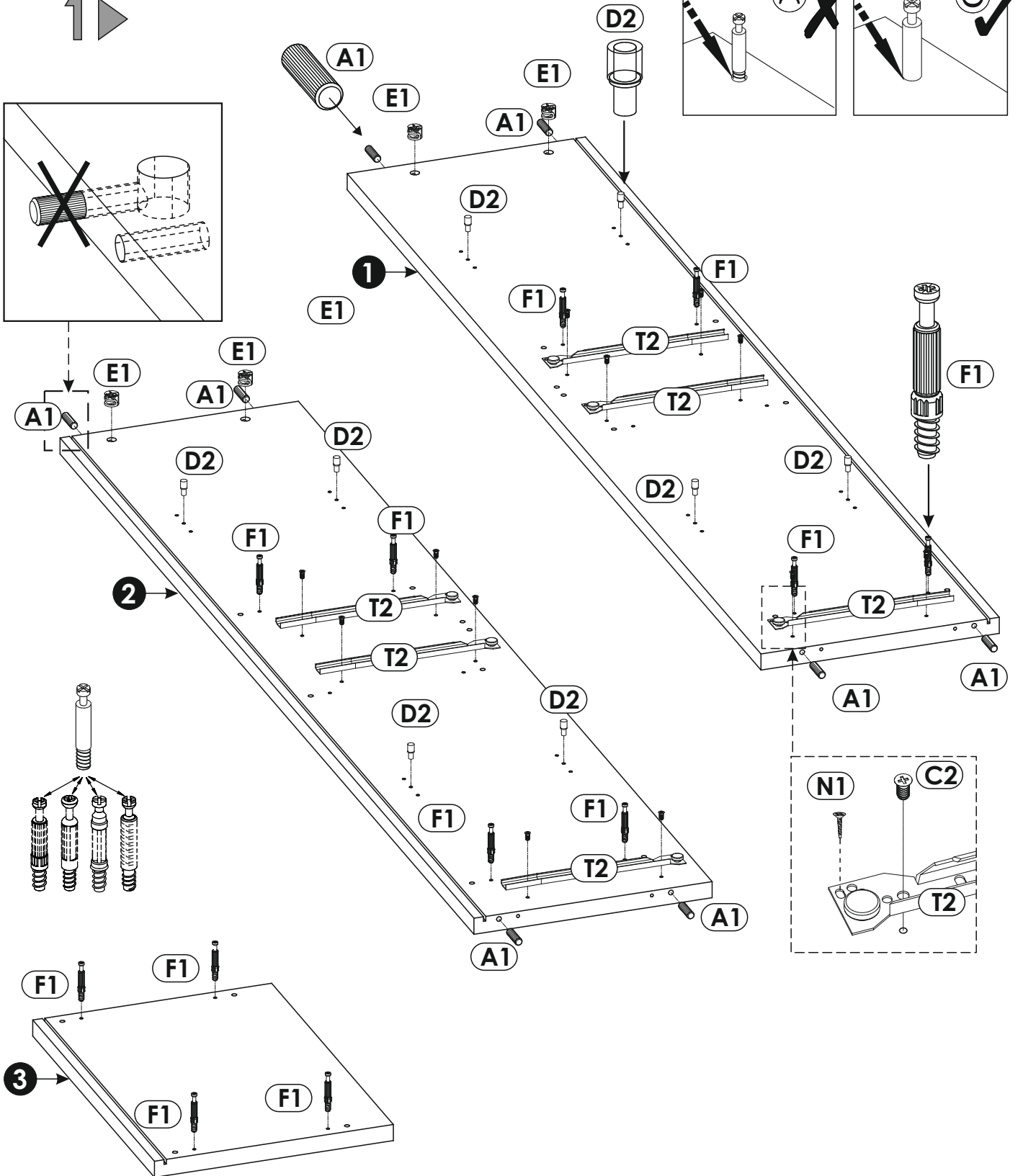
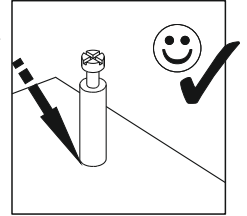
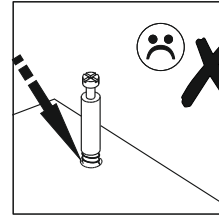
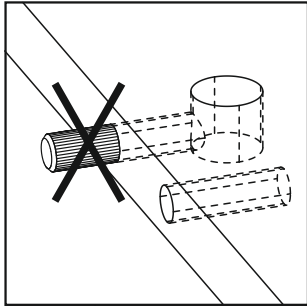


<b>1</b>	1904	399	28	x1	2/2
<b>2</b>	1904	399	28	x1	2/2
<b>3</b>	560	400	28	x1	1/2
<b>4</b>	560	400	28	x1	1/2
<b>5</b>	503	349	16	x3	1/2
<b>6</b>	503	333	16	x2	1/2
<b>7</b>	503	60	16	x1	1/2
<b>8</b>	497	157	16	x2	1/2
<b>9</b>	497	157	16	x1	1/2
<b>10</b>	446	80	16	x3	1/2
<b>11</b>	330	80	16	x2	1/2
<b>12</b>	330	80	16	x2	1/2
<b>13</b>	477	335	3	x2	2/2
<b>14</b>	1917	516	3	x1	2/2

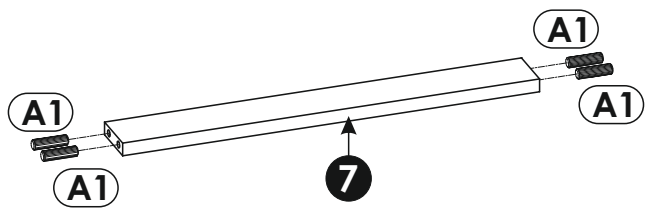
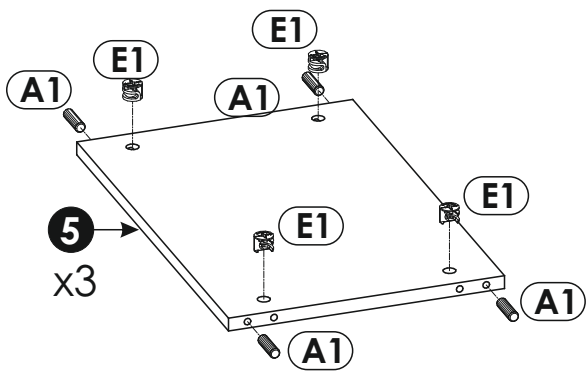
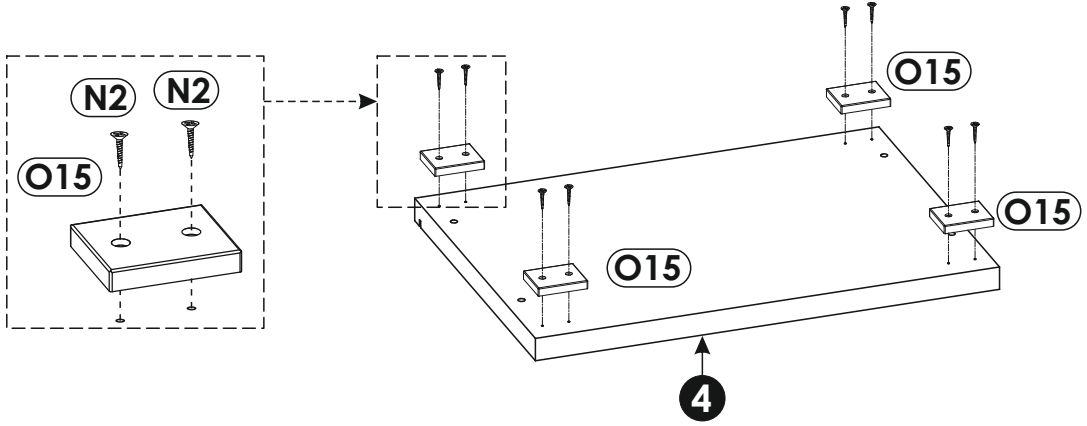




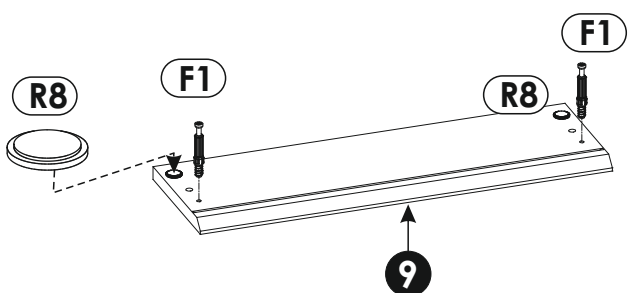
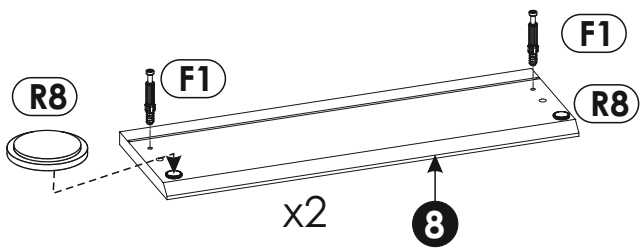
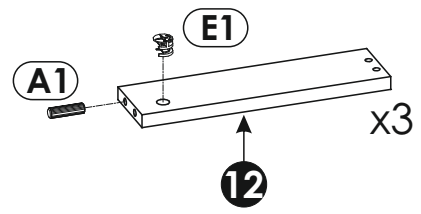
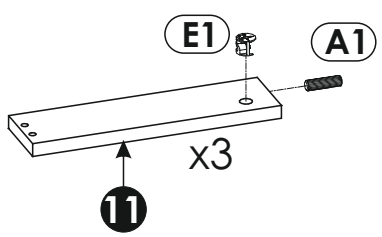
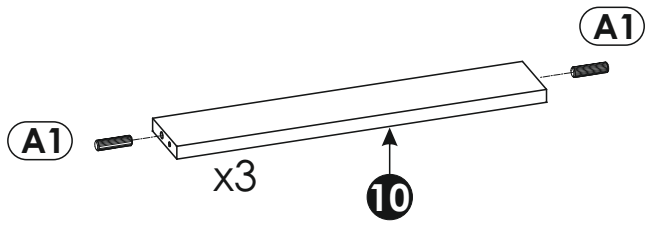
1 ▶



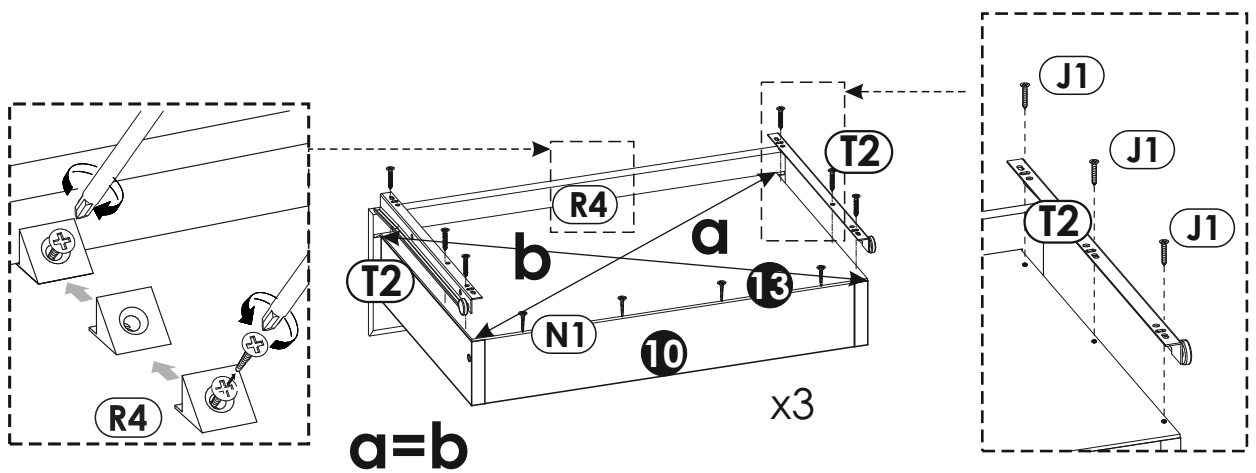
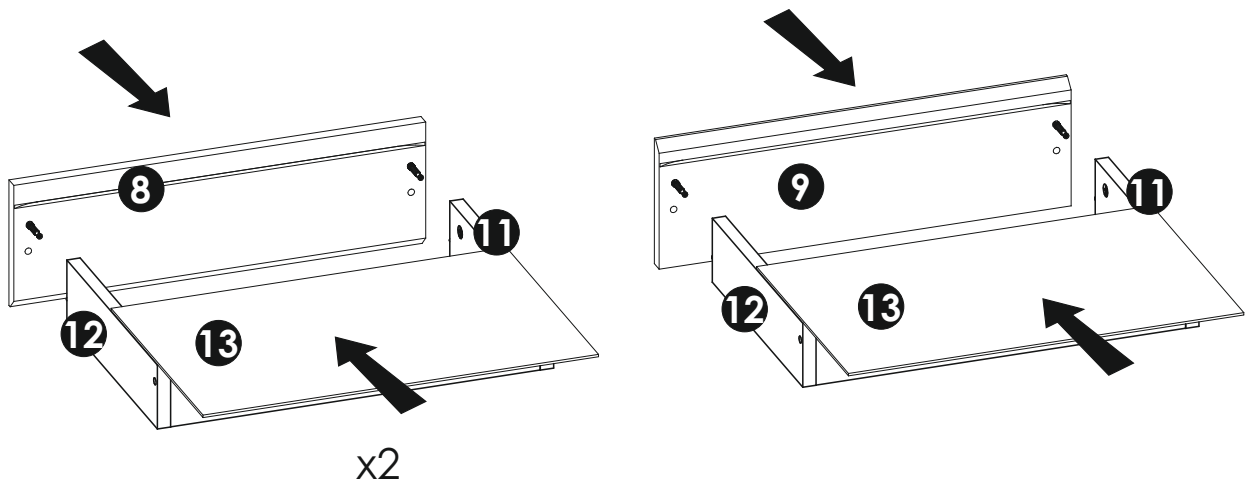
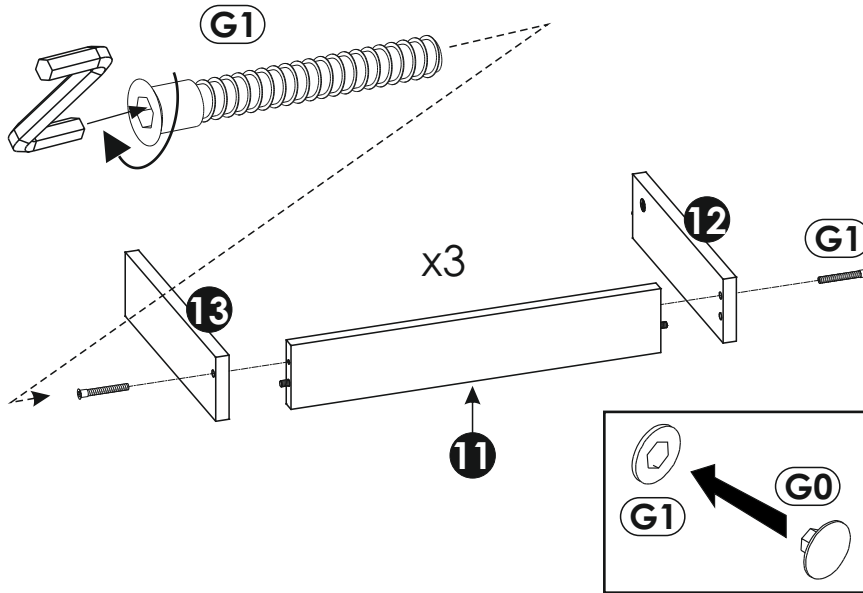
2 ▶



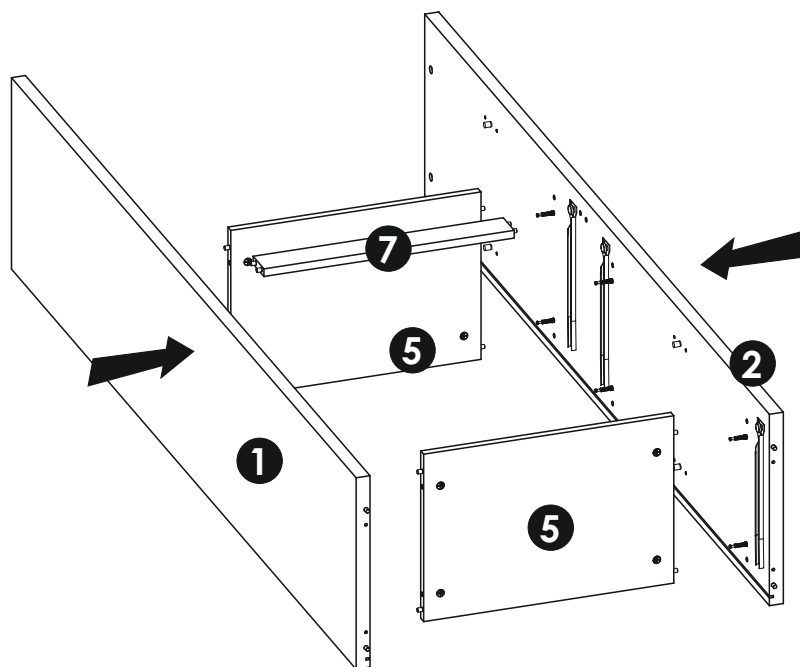
3 ▶



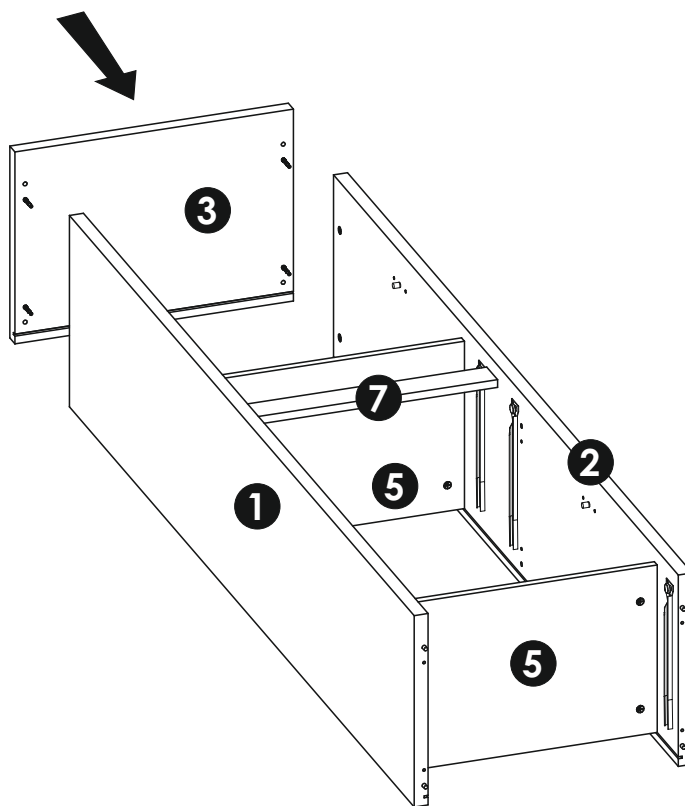
4 ▶



5 ▶

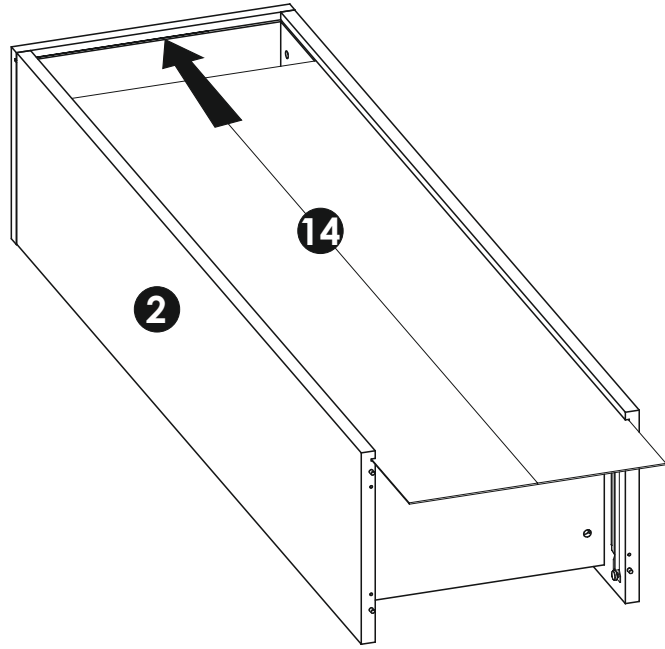


6 ▶

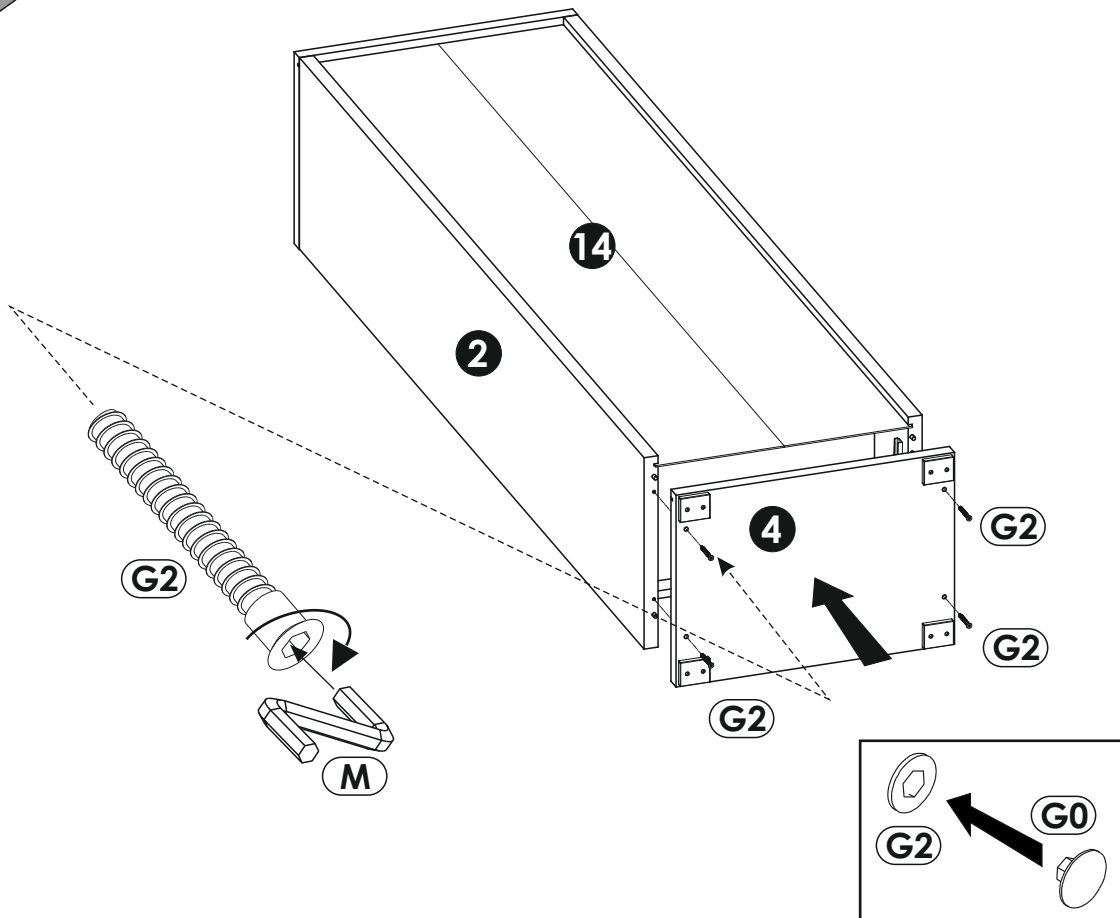


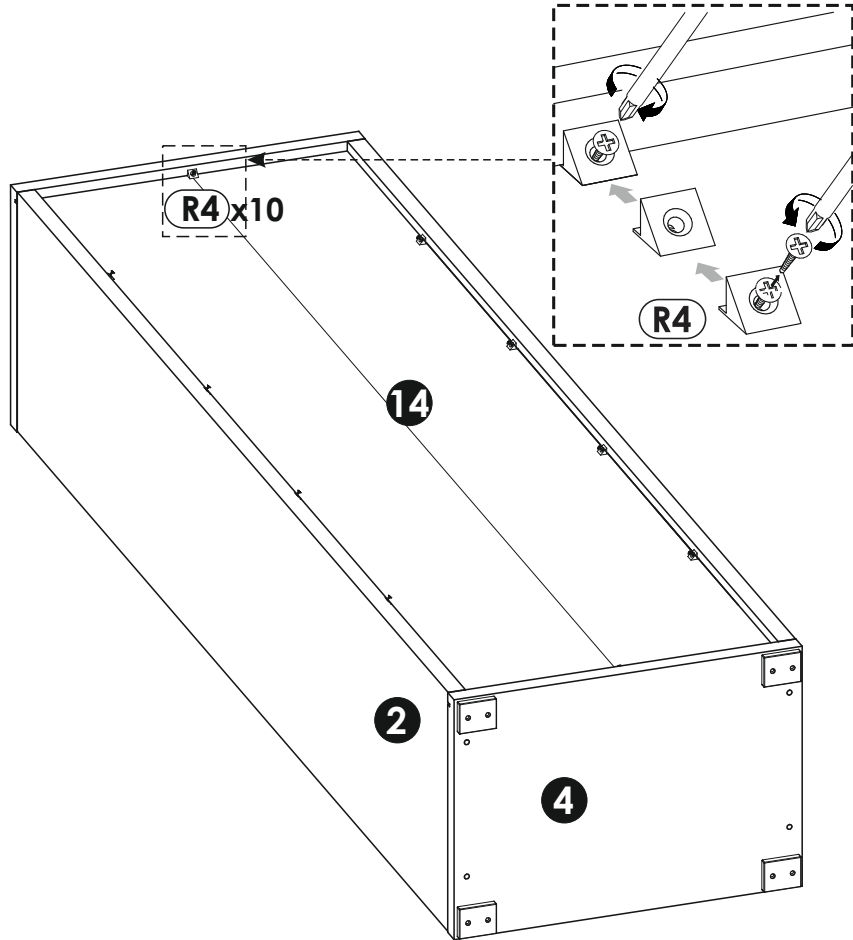
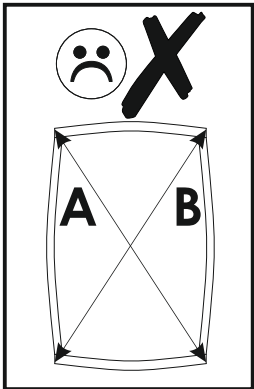
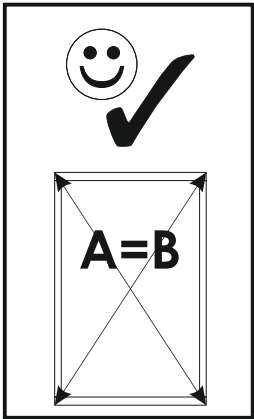


7 ▶



8 ▶





10 ▶

