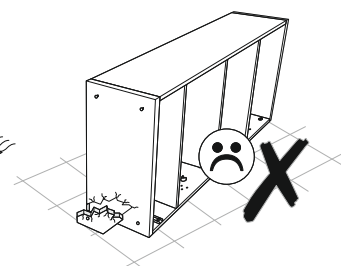
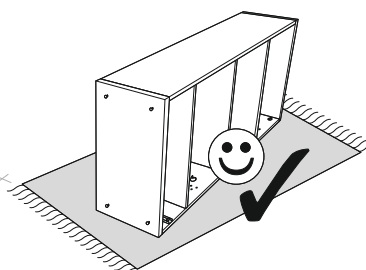
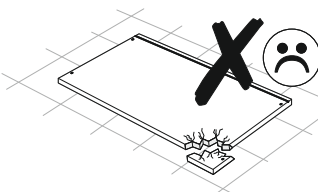
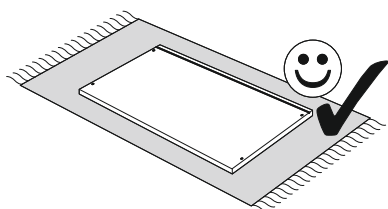
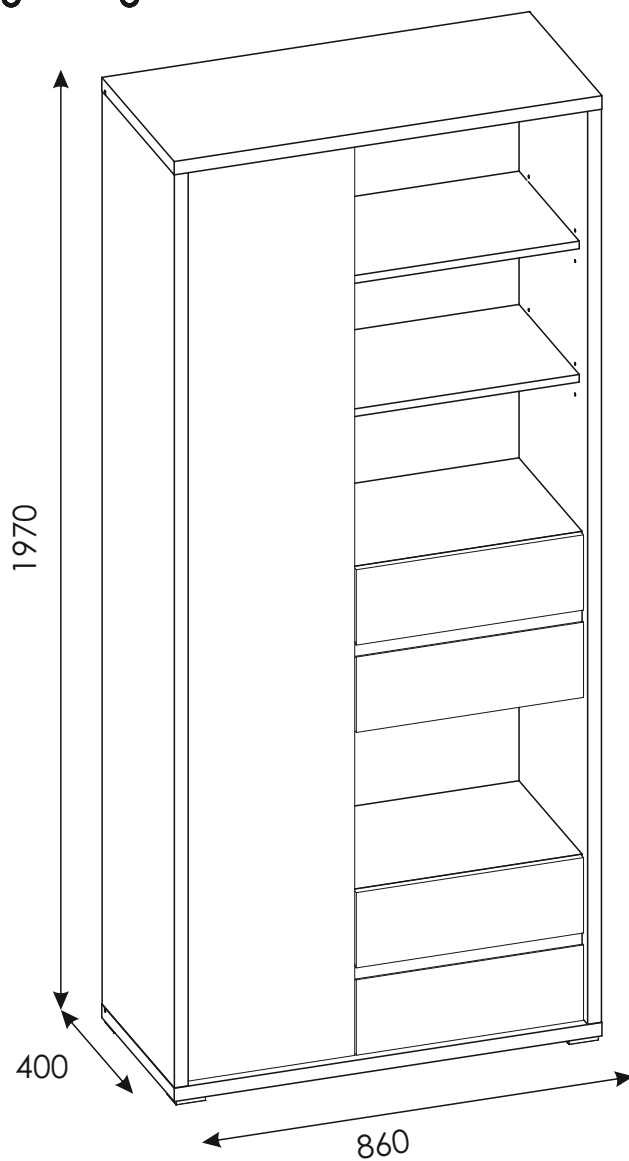
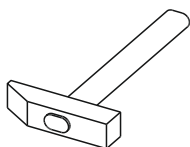
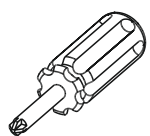
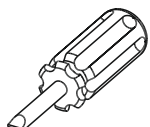
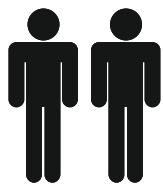
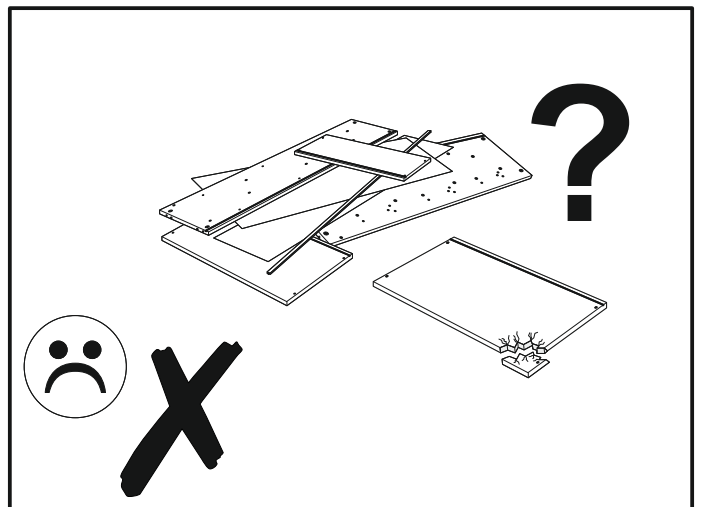
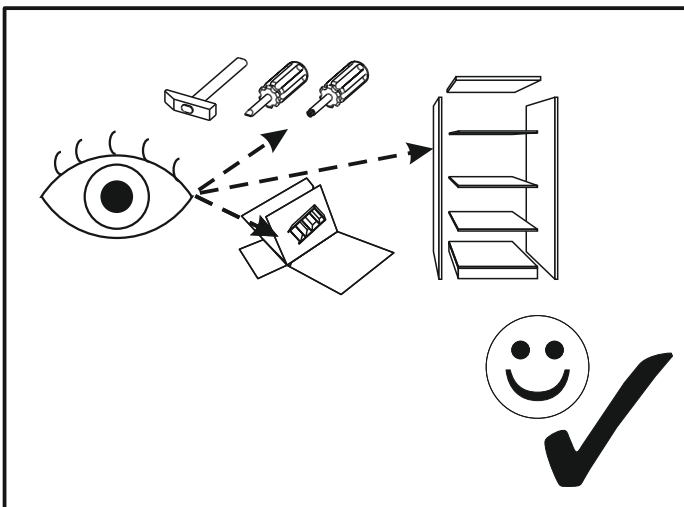
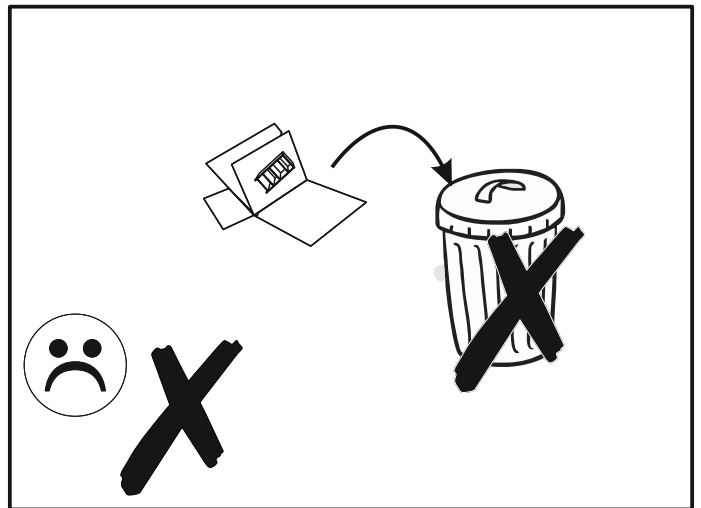
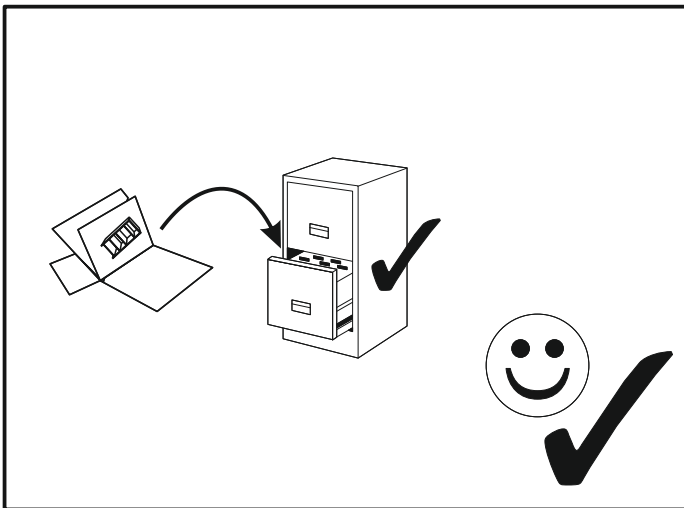
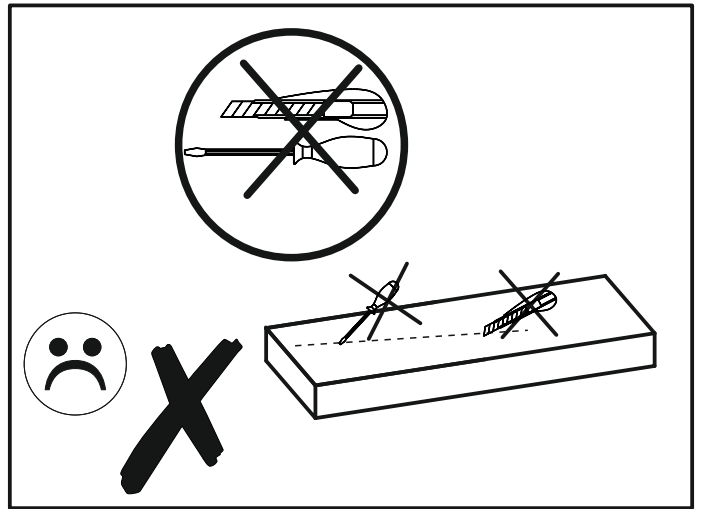
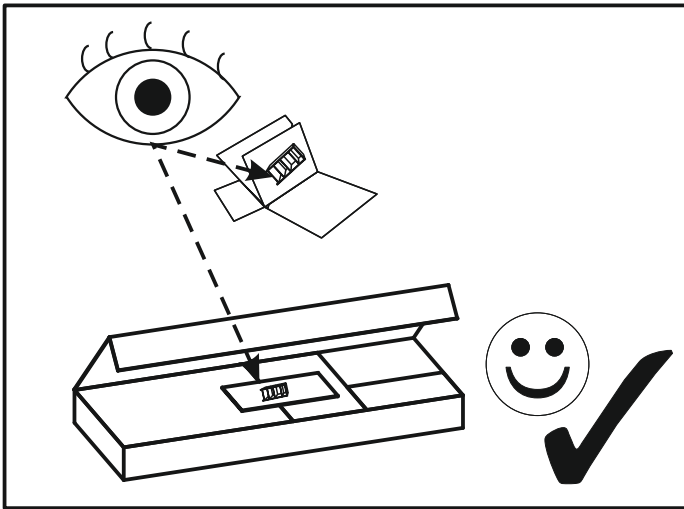


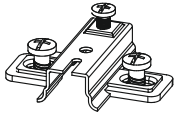
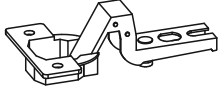


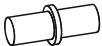
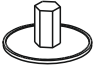


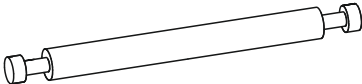




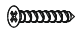
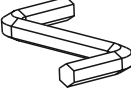


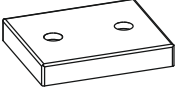




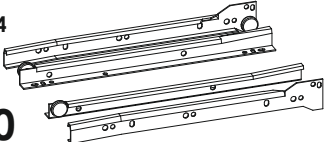
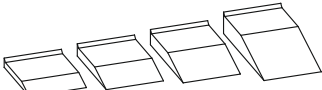
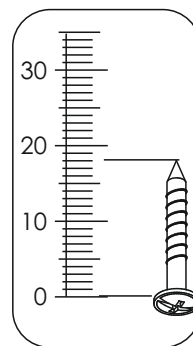
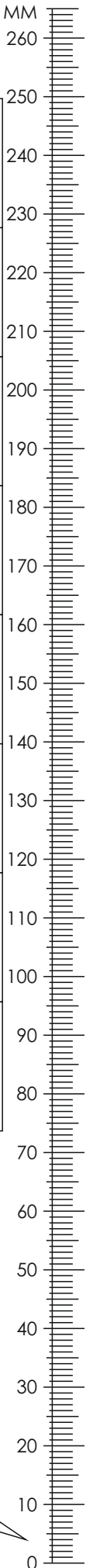


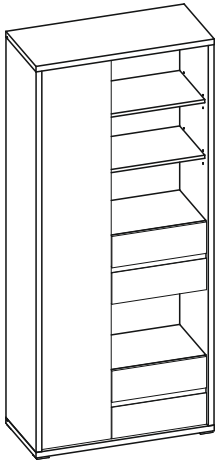
# SHELDON TYP 12



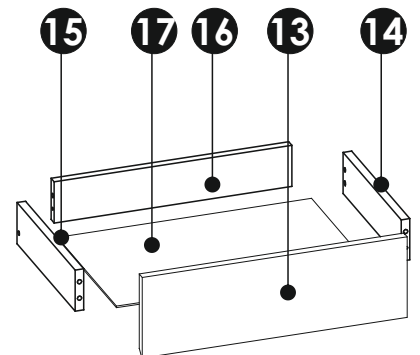
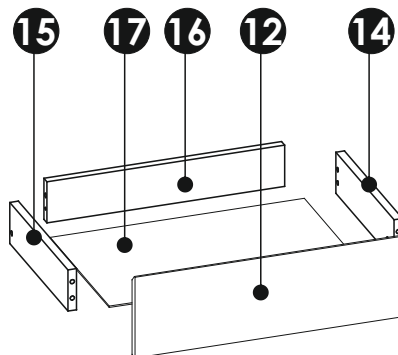
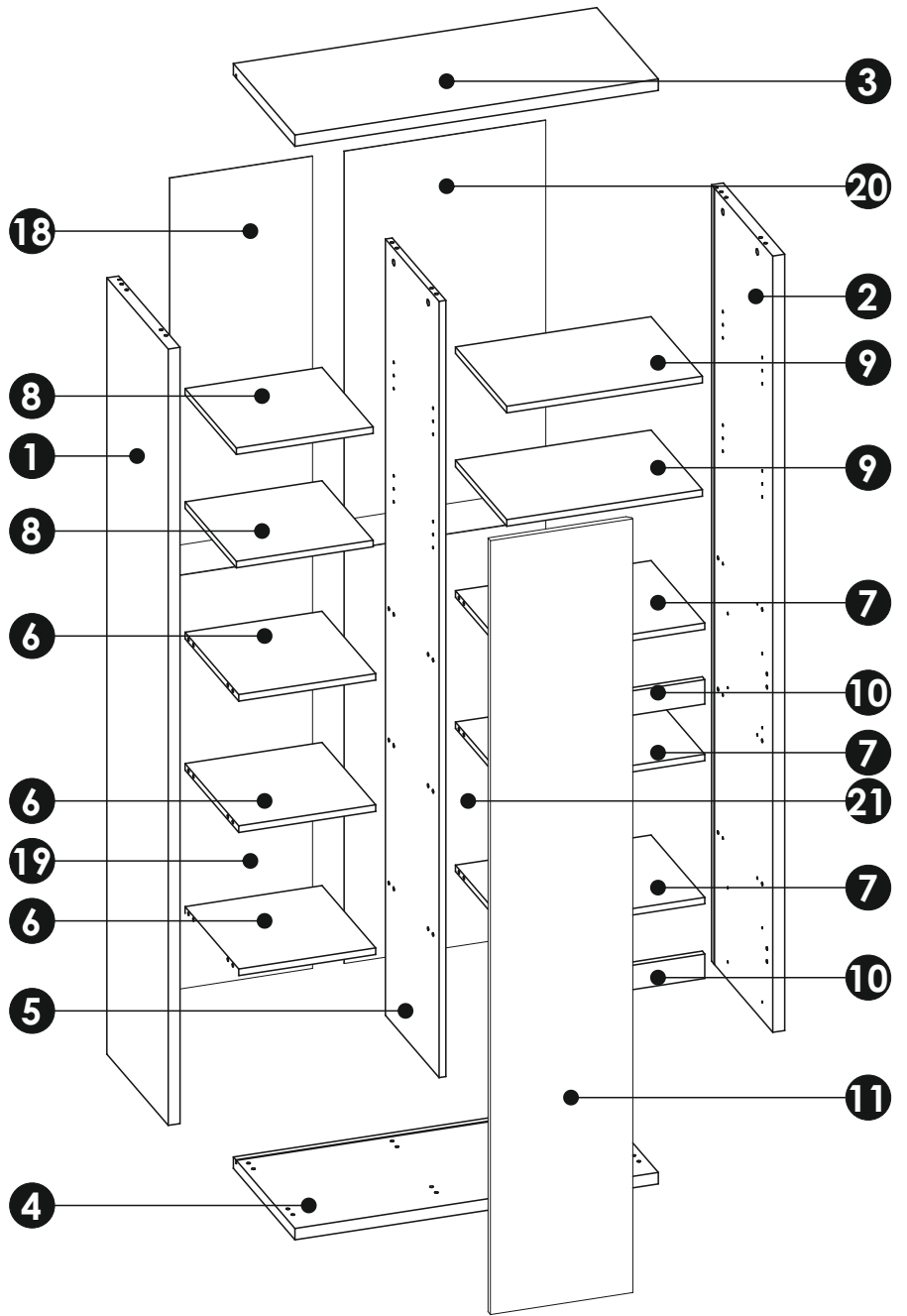


<b>A1</b> x48 $\varnothing 8 \times 35$ mm 	<b>A3</b> x 6 $\varnothing 8 \times 60$ mm 	<b>B0</b> x4 
<b>B3</b> x4 	<b>C1</b> x8 EURO 4 x 13mm 	<b>C2</b> x16 EURO 5 x 13mm 
<b>D2</b> x16 	<b>E0</b> x38 	<b>E1</b> 38 $\varnothing 15 \times 12$ mm 
<b>F1</b> x26 	<b>F4</b> x 6 $\varnothing 7 \times 82$ mm 	<b>G0</b> x14 
<b>G1</b> x8 $\varnothing 7 \times 50$ mm 	<b>G2</b> x6 $\varnothing 7 \times 60$ mm 	<b>I2</b> x1 4 x 16mm 
<b>J1</b> x24 US 3 x 20mm 	<b>M</b> x1 	<b>N1</b> x40 US 3 x 16mm 
<b>N2</b> x10 US 3,5 x 16mm 	<b>O15</b> x5 	<b>Q9</b> x1 
<b>R1</b> x 16 	<b>R4</b> x16 	<b>R8</b> x10 
<b>T2</b> x4 <b>L-300</b> 	<b>Z</b> x1 	

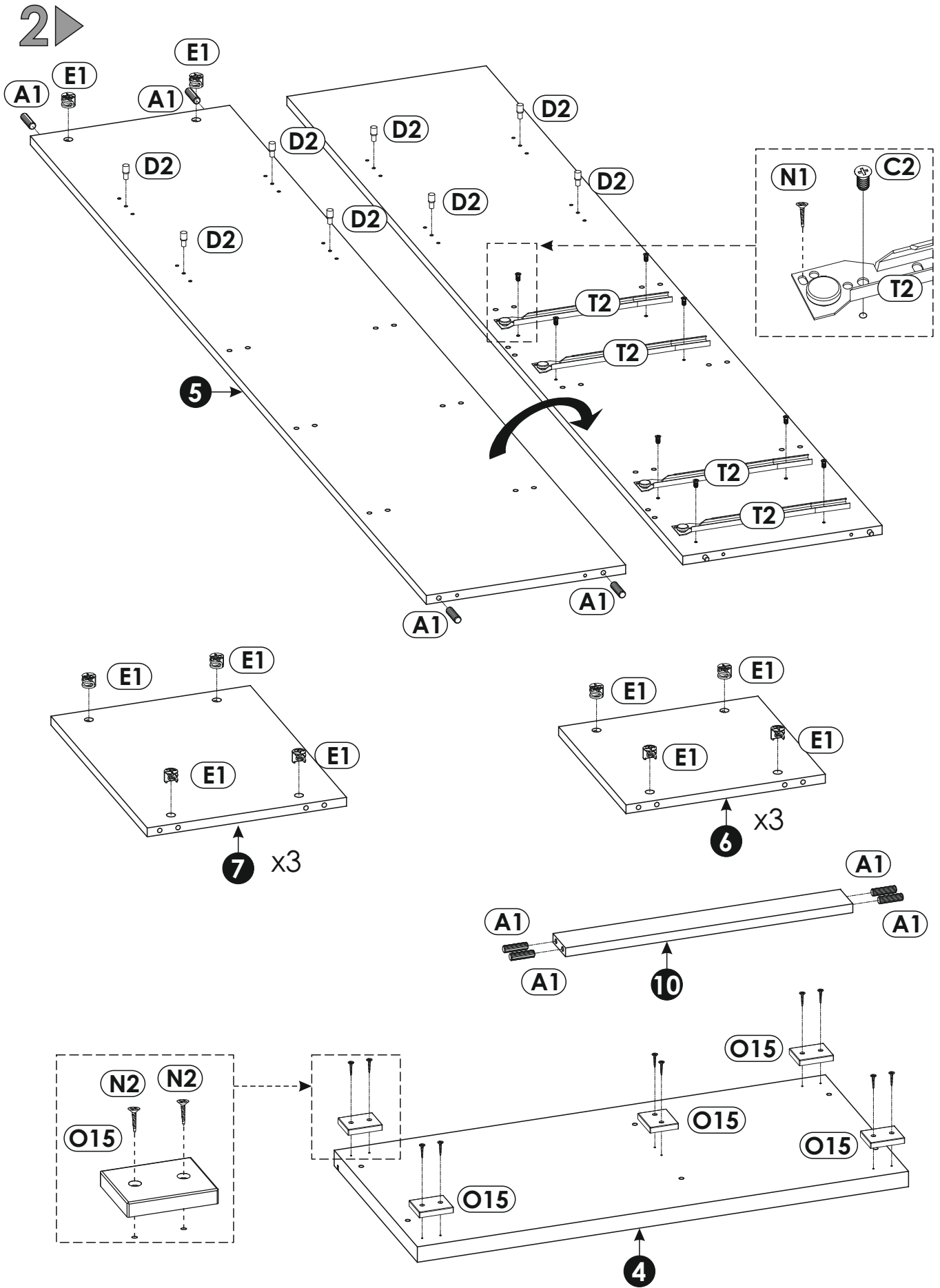




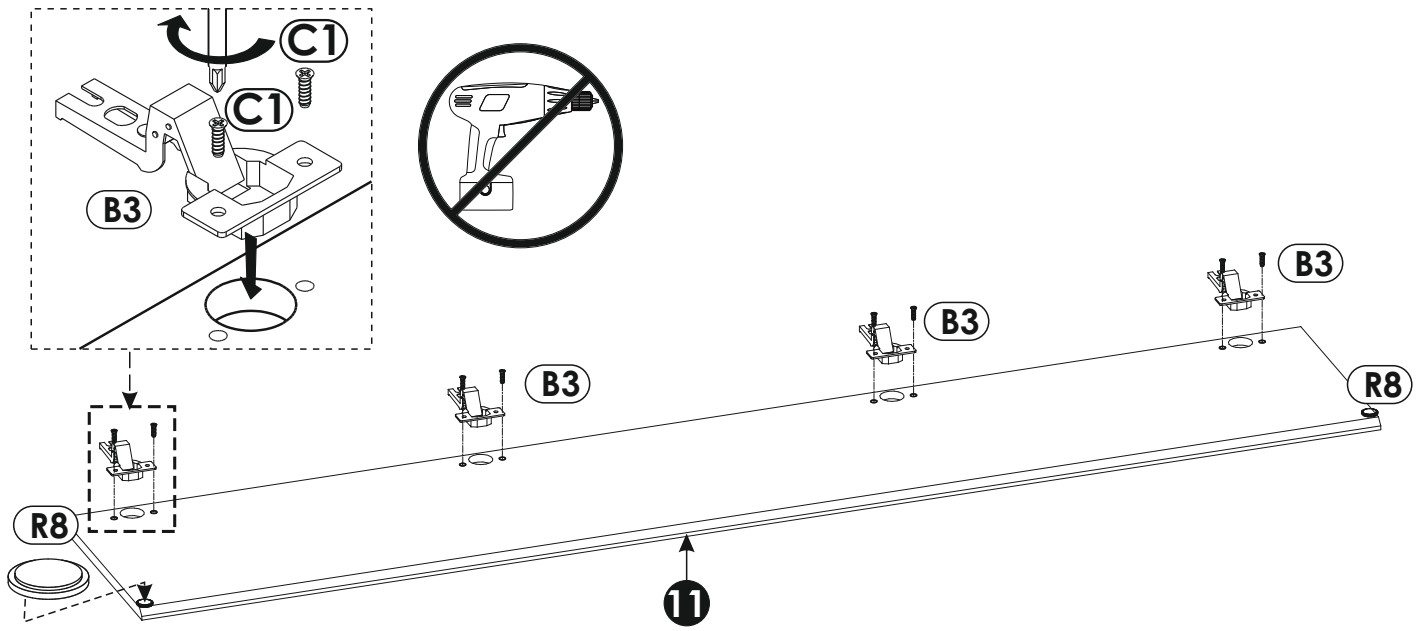
1	1904	399	28 x1	3/3
2	1904	399	28 x1	3/3
3	860	400	28 x1	1/3
4	860	400	28 x1	1/3
5	1904	349	16 x3	2/3
6	324	349	16 x2	2/3
7	463	349	16 x3	1/3
8	324	333	16 x2	2/3
9	463	333	16 x2	1/3
10	463	60	16 x2	1/3
11	1898	337	16 x2	2/3
12	457	157	16 x2	1/3
13	457	157	16 x2	1/3
14	330	80	16 x4	1/3
15	330	80	16 x4	1/3
16	406	80	16 x4	1/3
17	437	335	3 x4	2/3
18	903	338	3 x1	2/3
19	1014	338	3 x1	2/3
20	903	477	3 x1	1/3
21	1014	477	3 x1	1/3



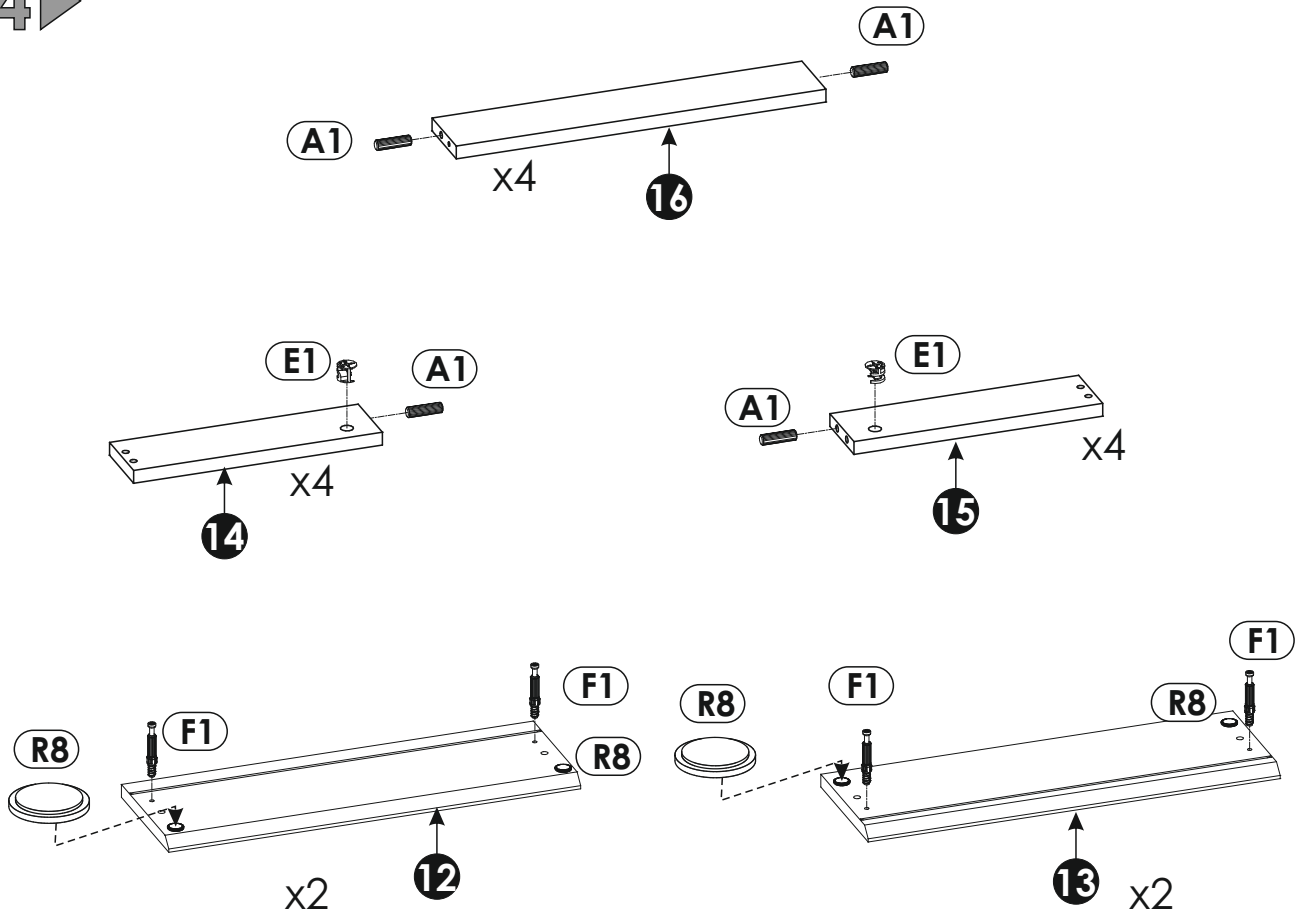




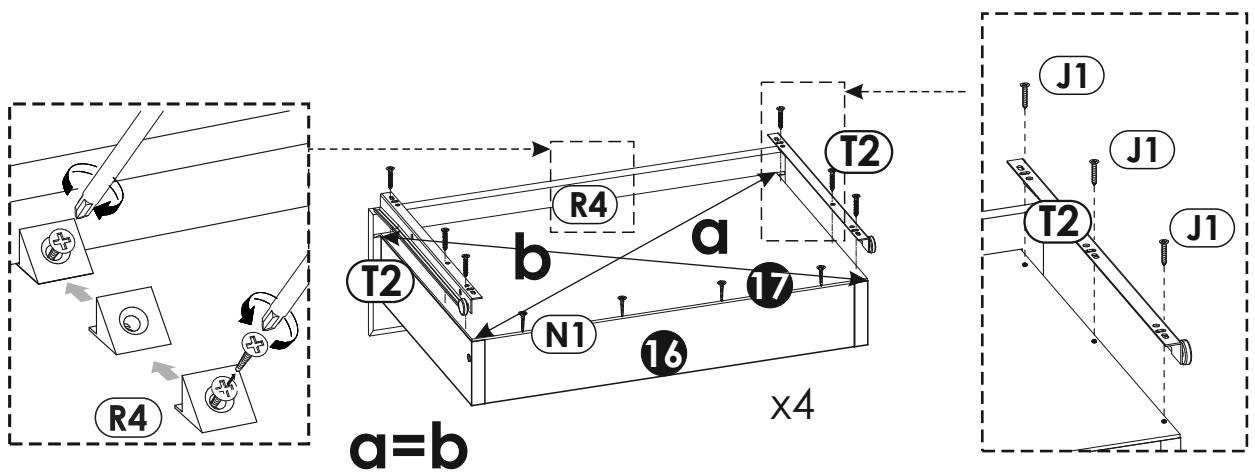
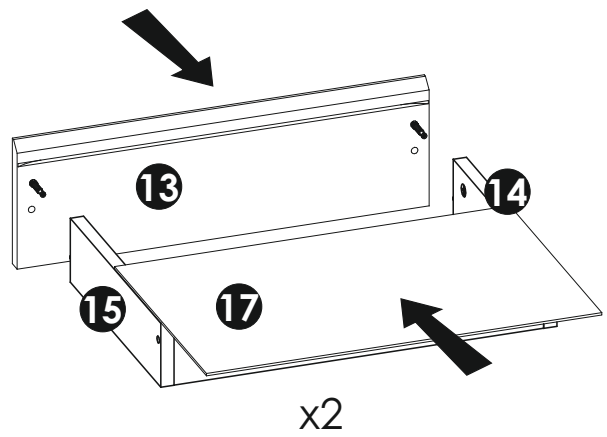
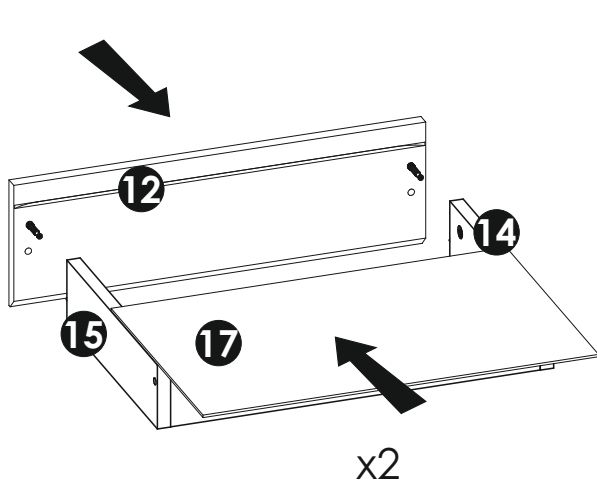
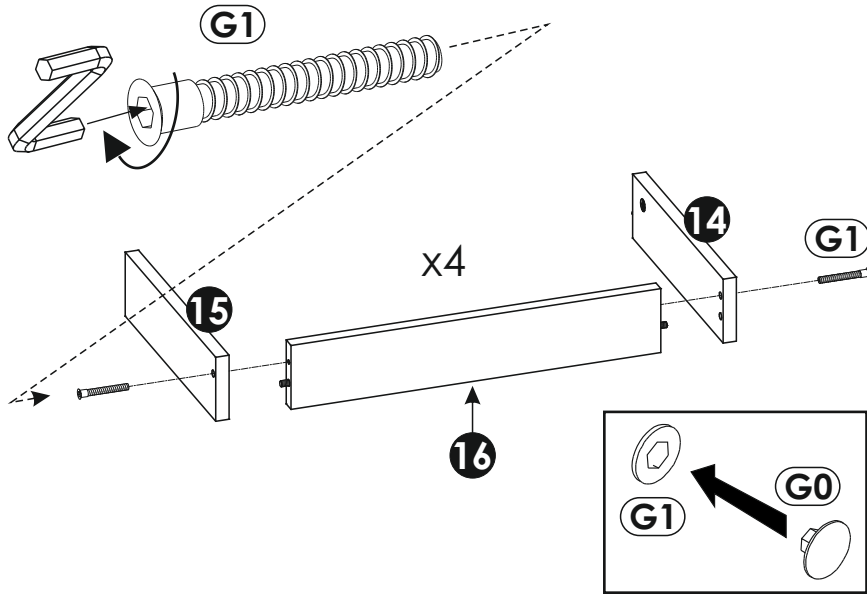
3 ▶



4 ▶

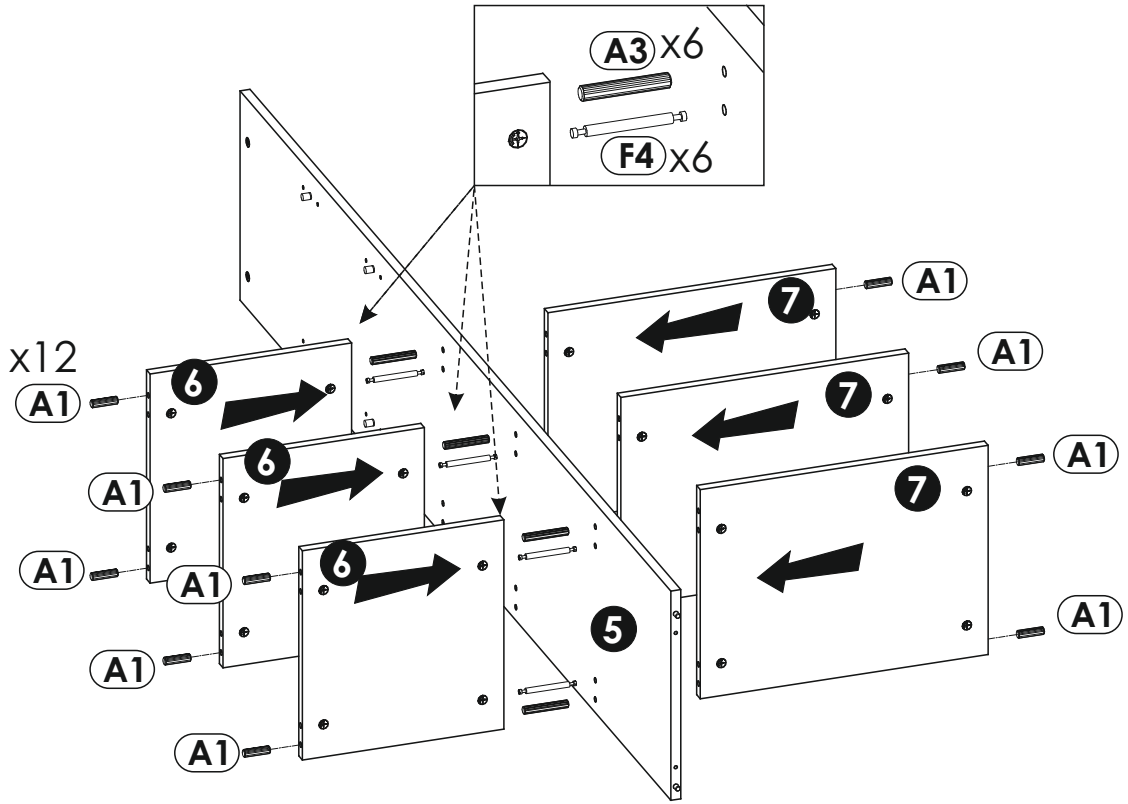


5 ▶

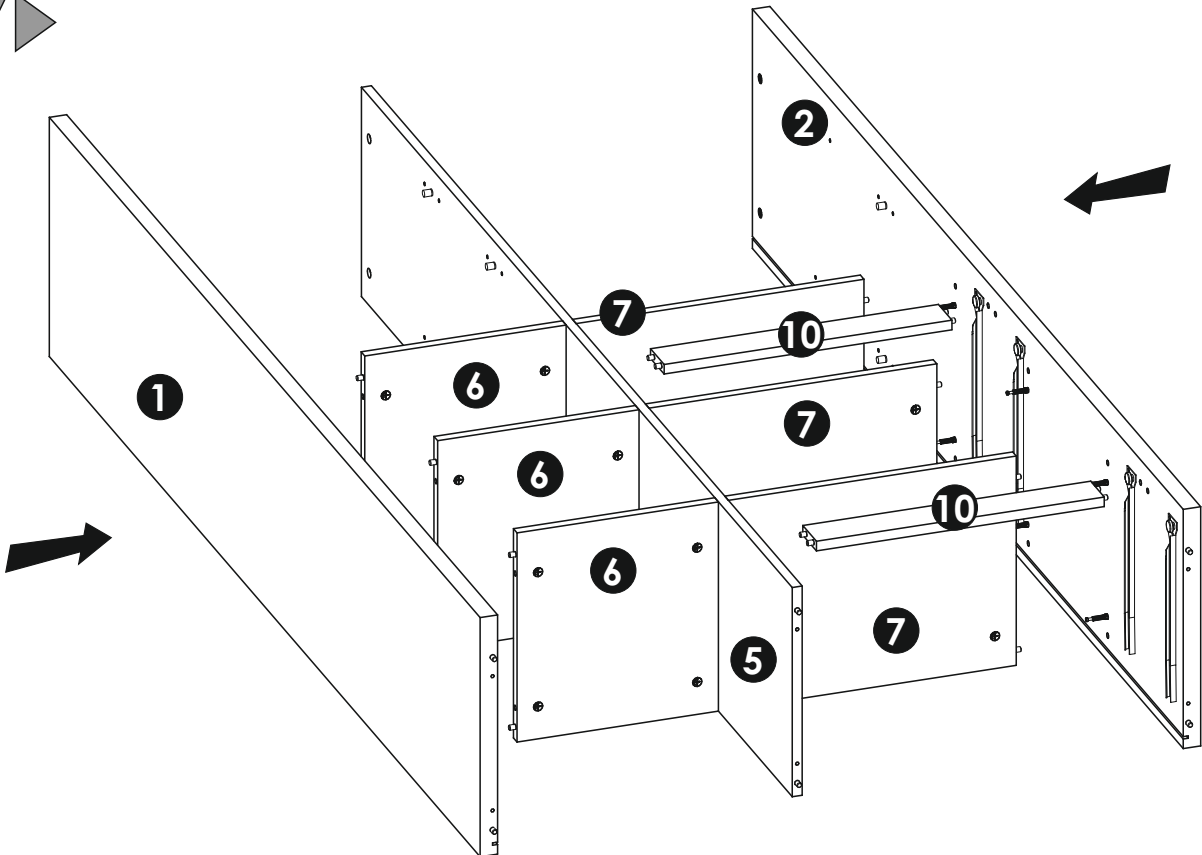




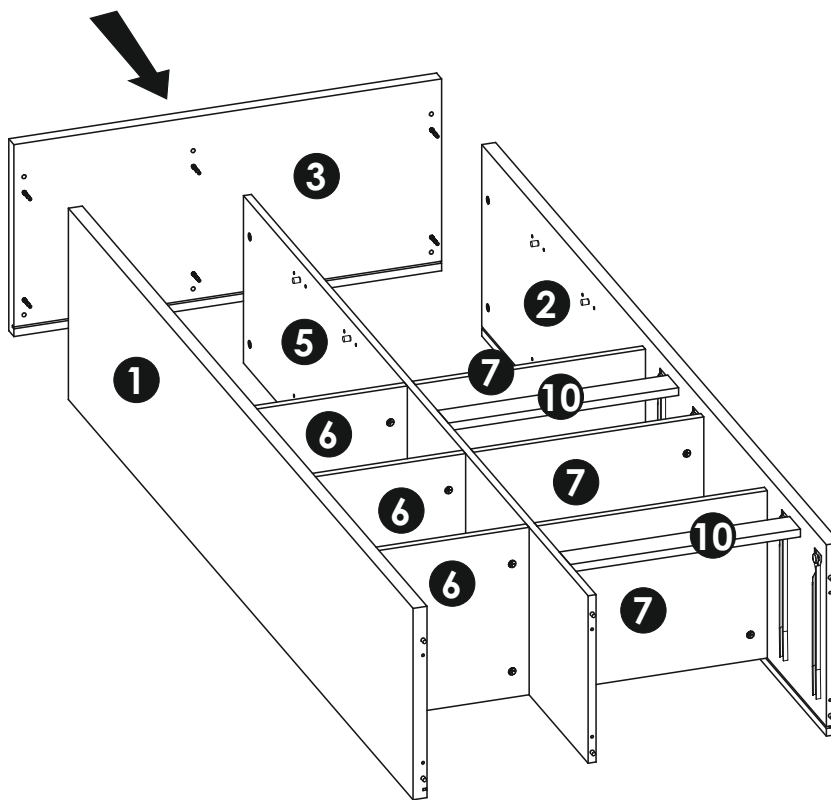
6 ▶



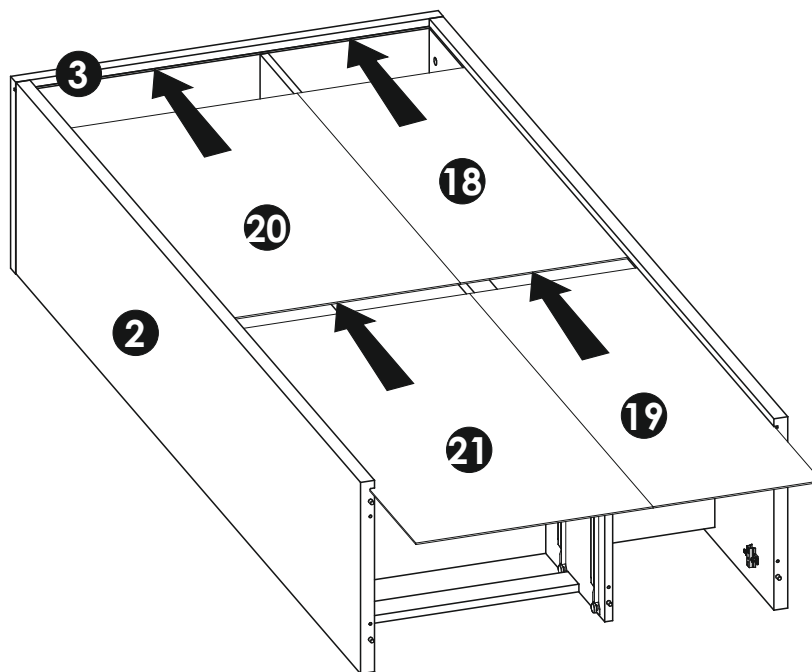
7 ▶



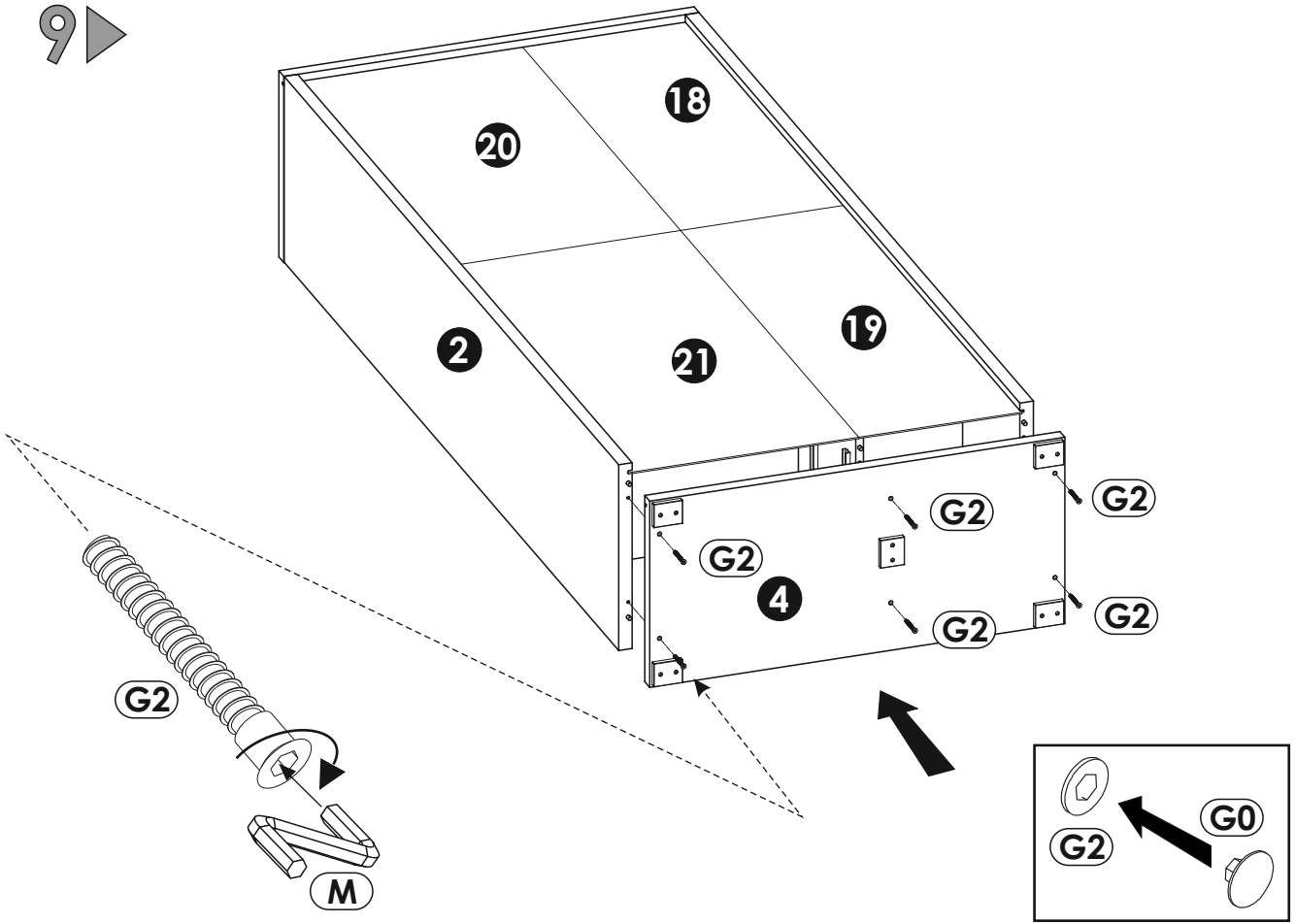
7 ▶



8 ▶



9 ▶



10 ▶

