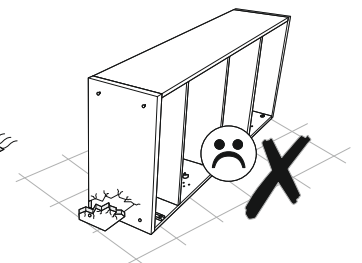
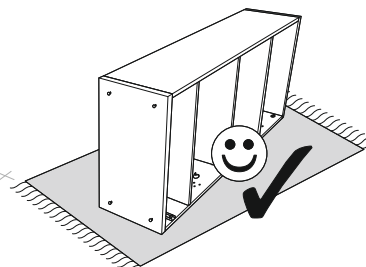
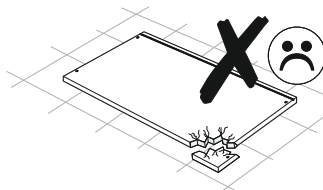
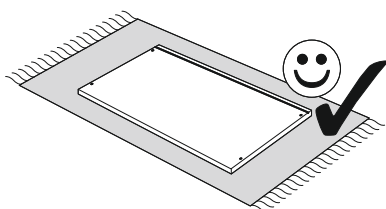
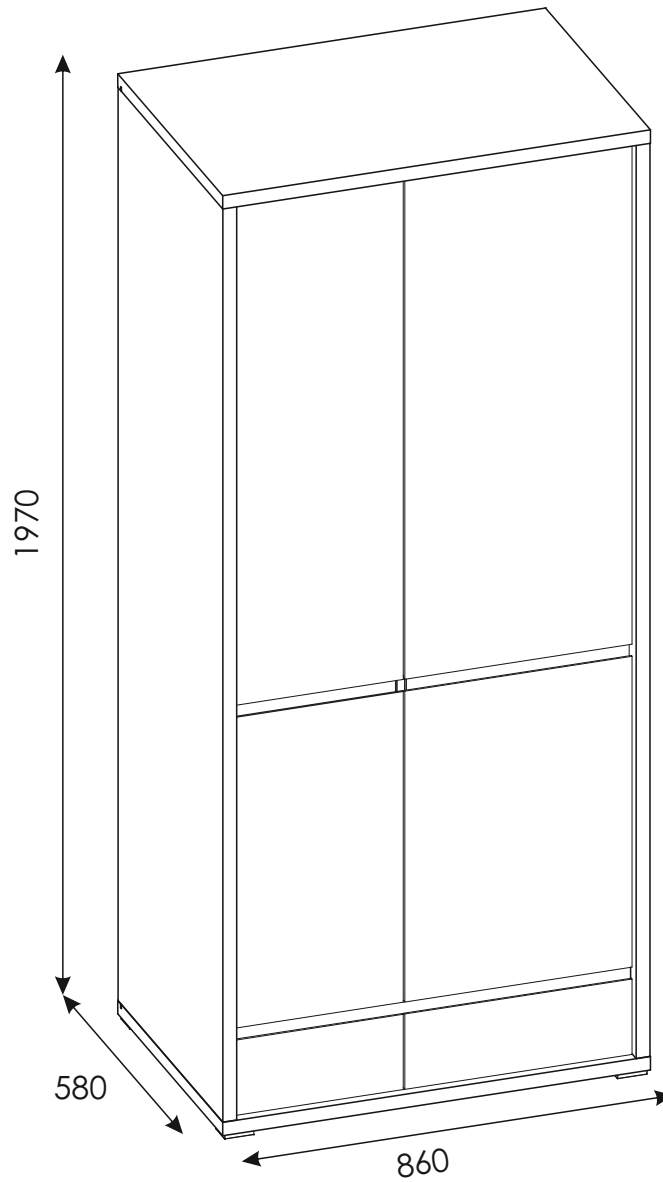
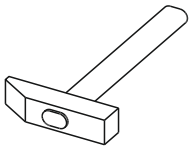
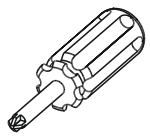
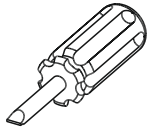
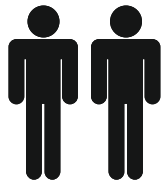
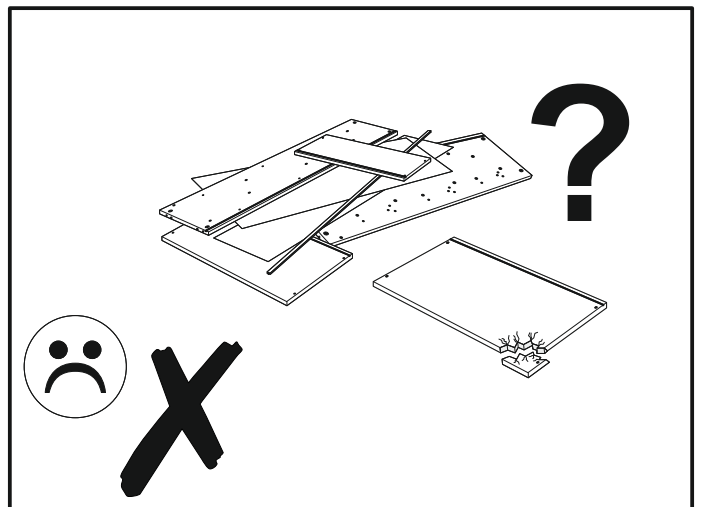
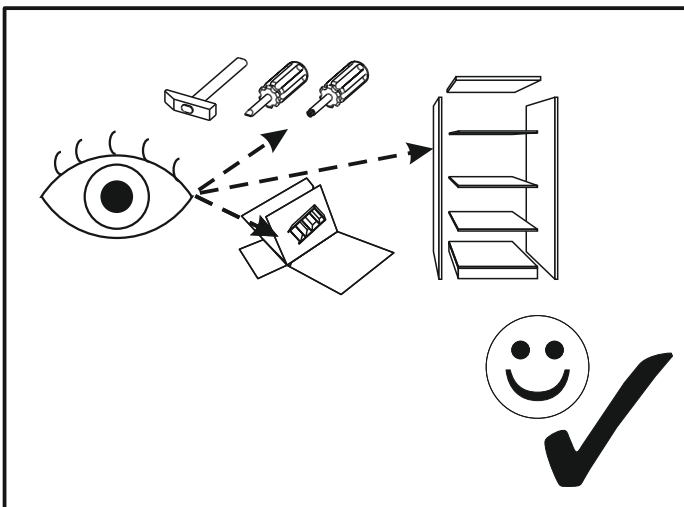
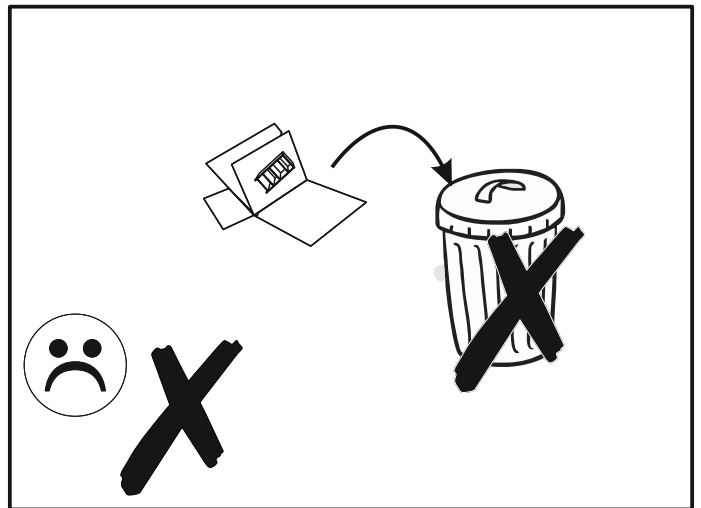
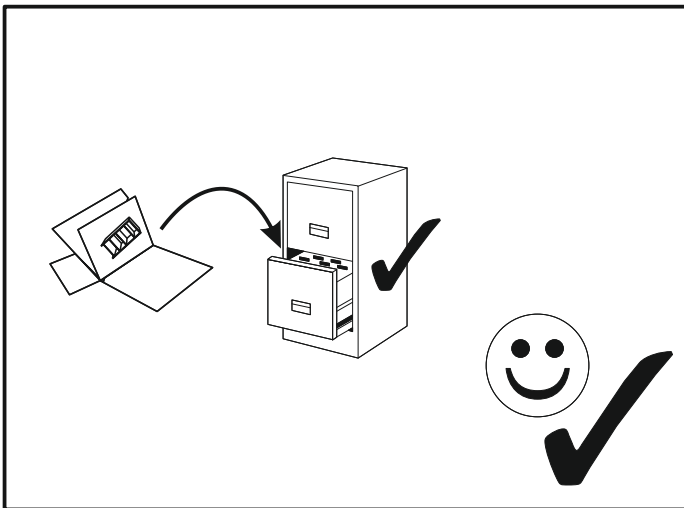
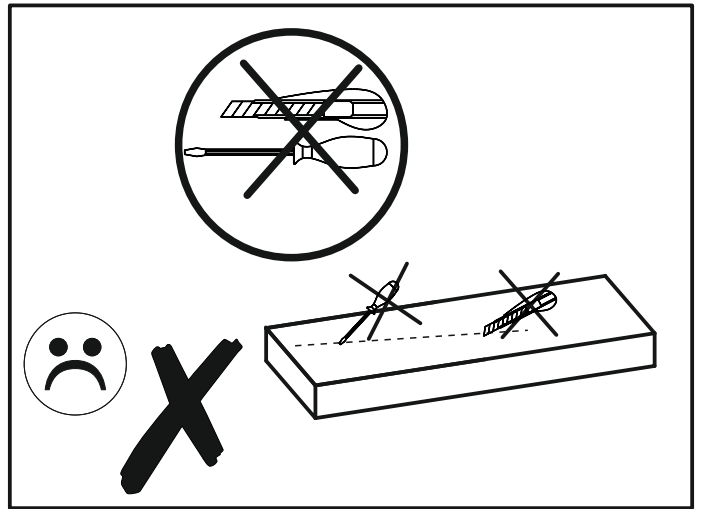
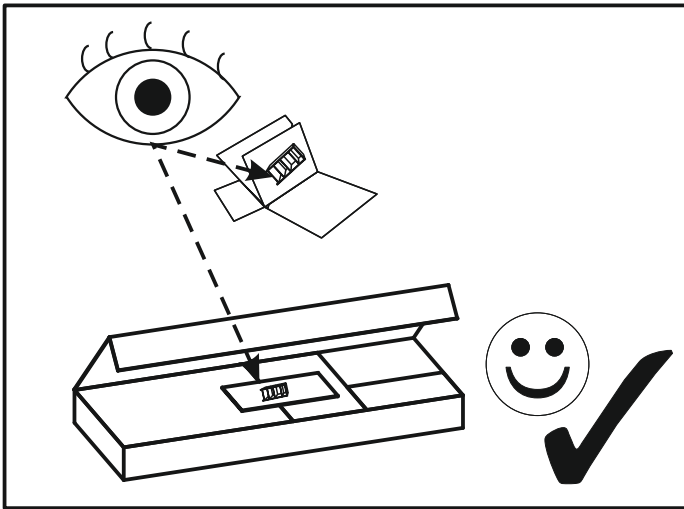


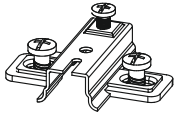
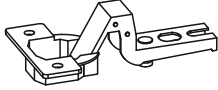


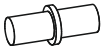
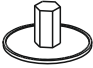


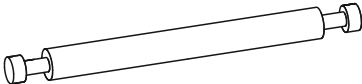



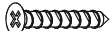
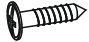
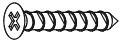
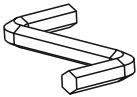


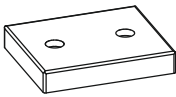
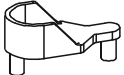


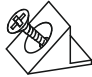

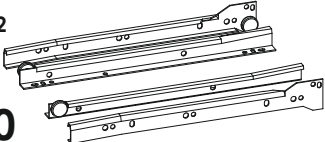
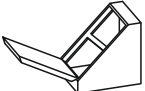

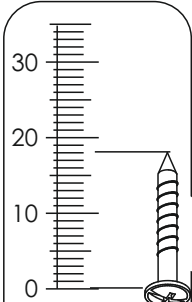
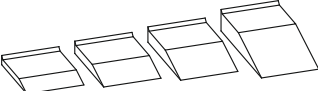
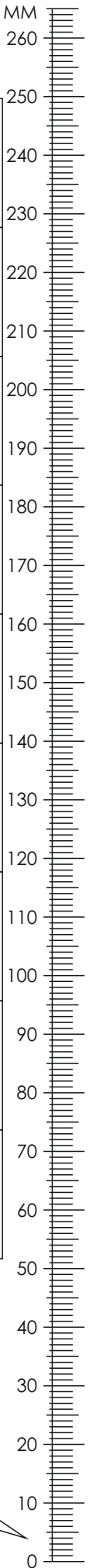


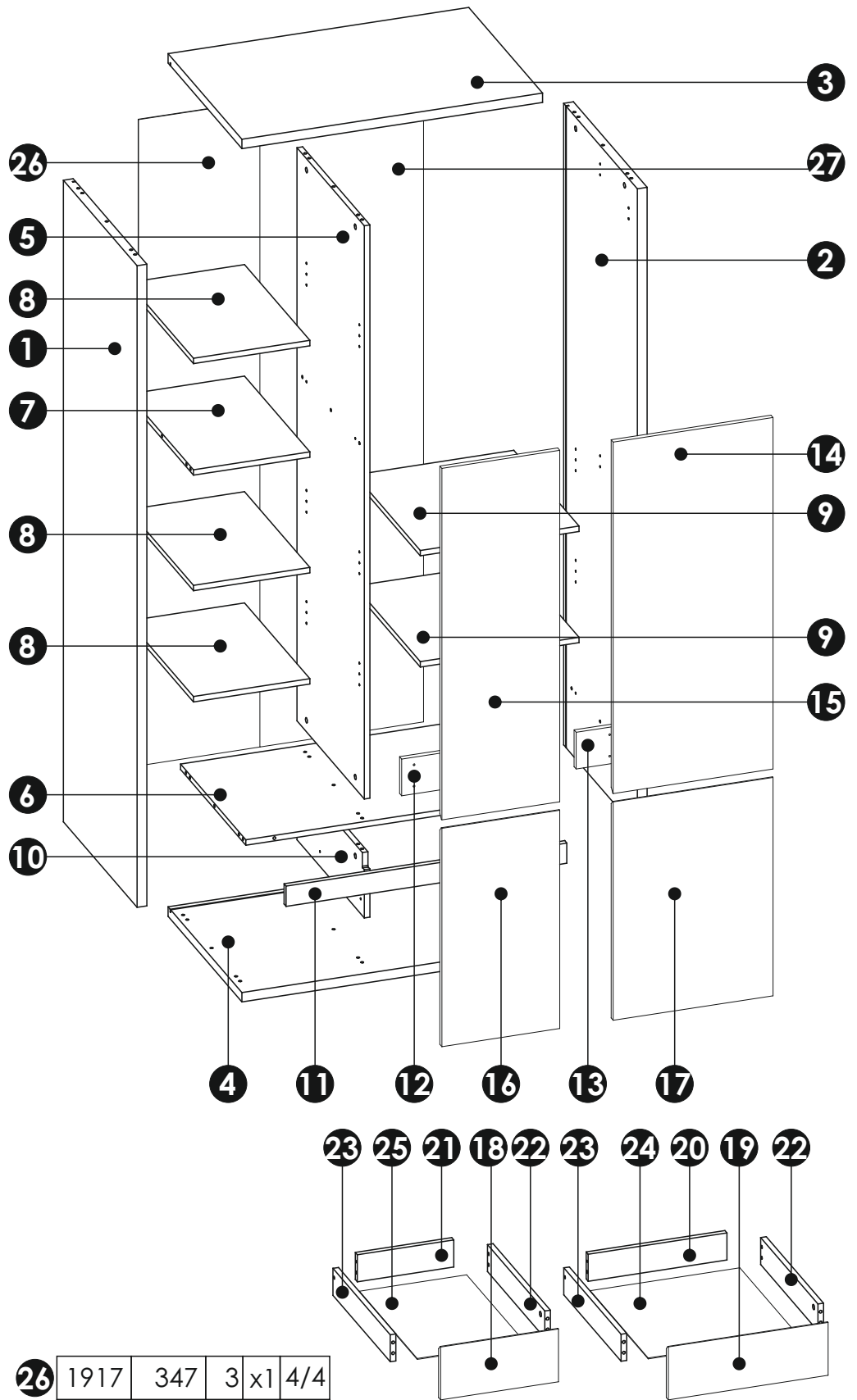
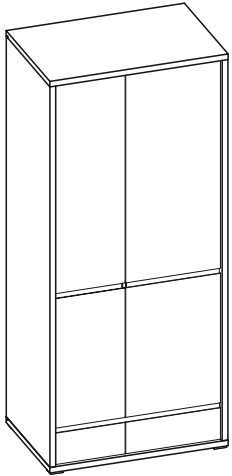
SHELDON TYP 20





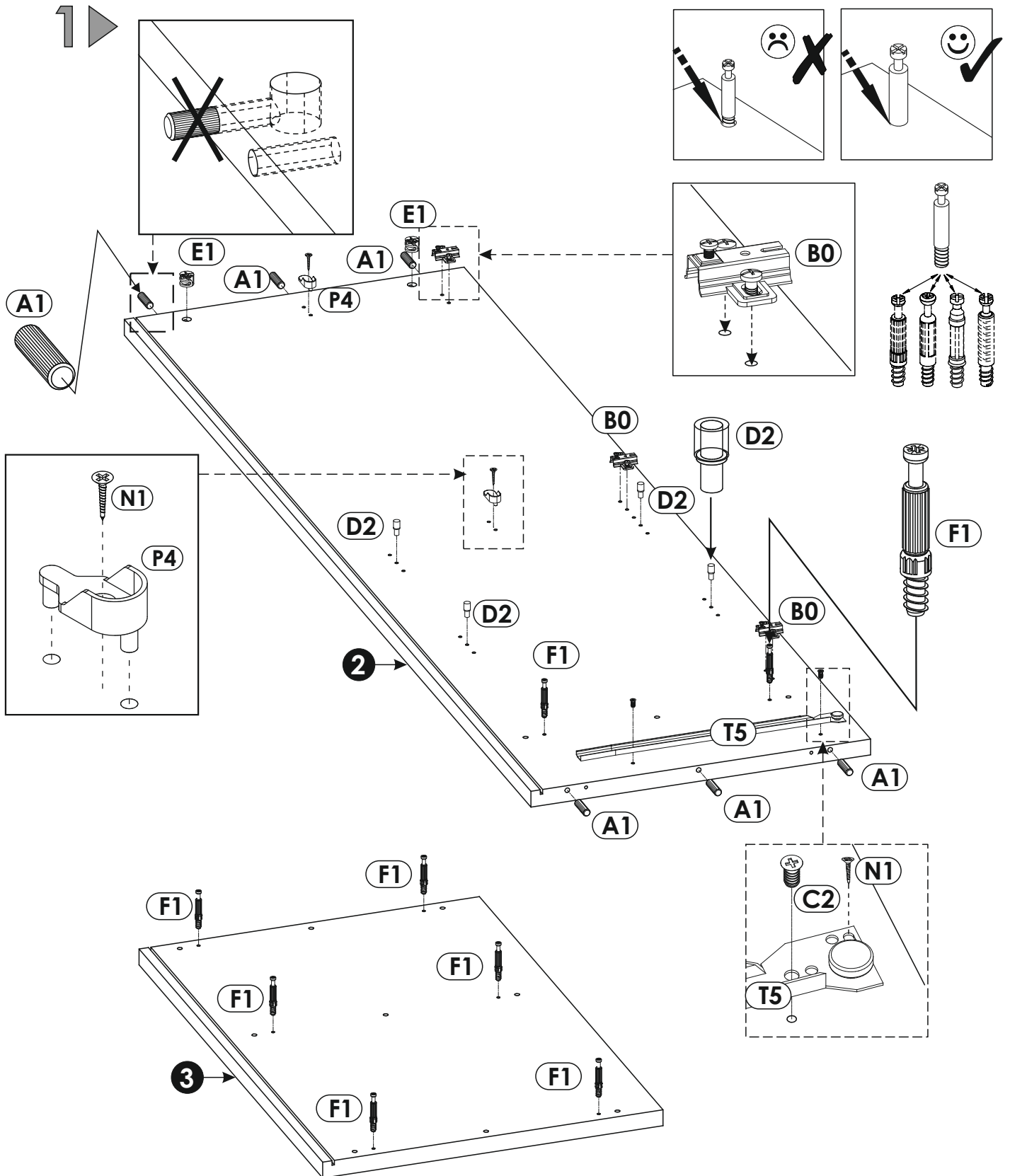
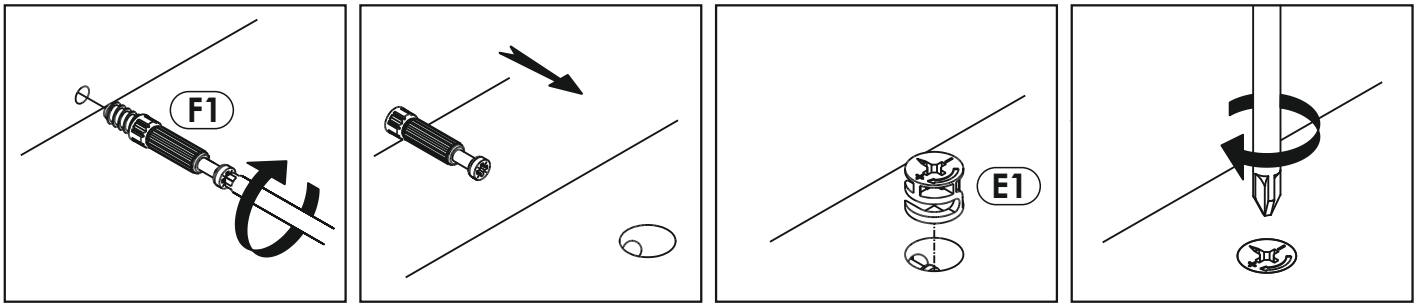
A1 x40 $\varnothing 8 \times 35$ mm 	A3 x 3 $\varnothing 8 \times 60$ mm 	B0 x6 
B3 x6 	C1 x12 EURO 4 x 13mm 	C2 x8 EURO 5 x 13mm 
D2 x20 	E0 22 	E1 22 $\varnothing 15 \times 12$ mm 
F1 x18 	F4 x 2 $\varnothing 7 \times 82$ mm 	G0 x10 
G1 x4 $\varnothing 7 \times 50$ mm 	G2 x6 $\varnothing 7 \times 60$ mm 	I3 x12 US 4 x 25mm 
I2 x2 4 x 16mm 	J1 x12 US 3 x 20mm 	M x1 
N1 x30 US 3 x 16mm 	N2 x18 US 3,5 x 16mm 	O15 x5 
P4 x4 	Q9 x2 	R1 x 12 
R4 x14 	R8 x8 	T5 x2 L-450 
W x2 	Z1 x 2 L-445 	
Z x1 		



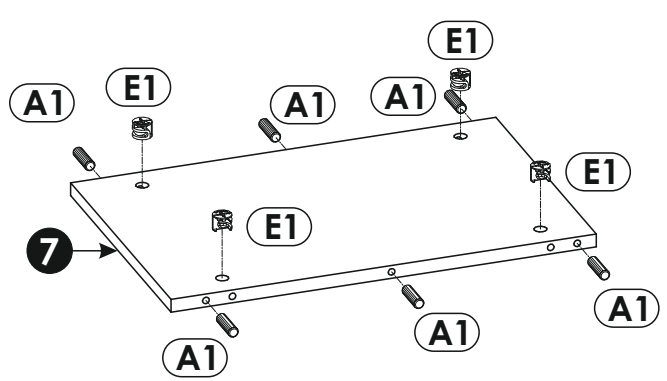
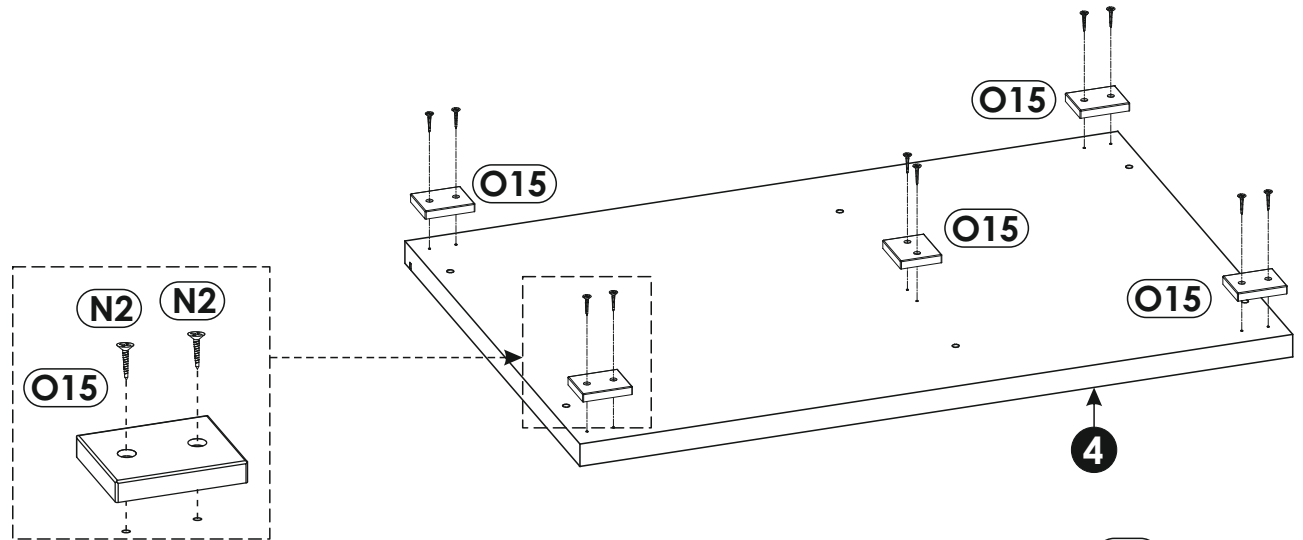
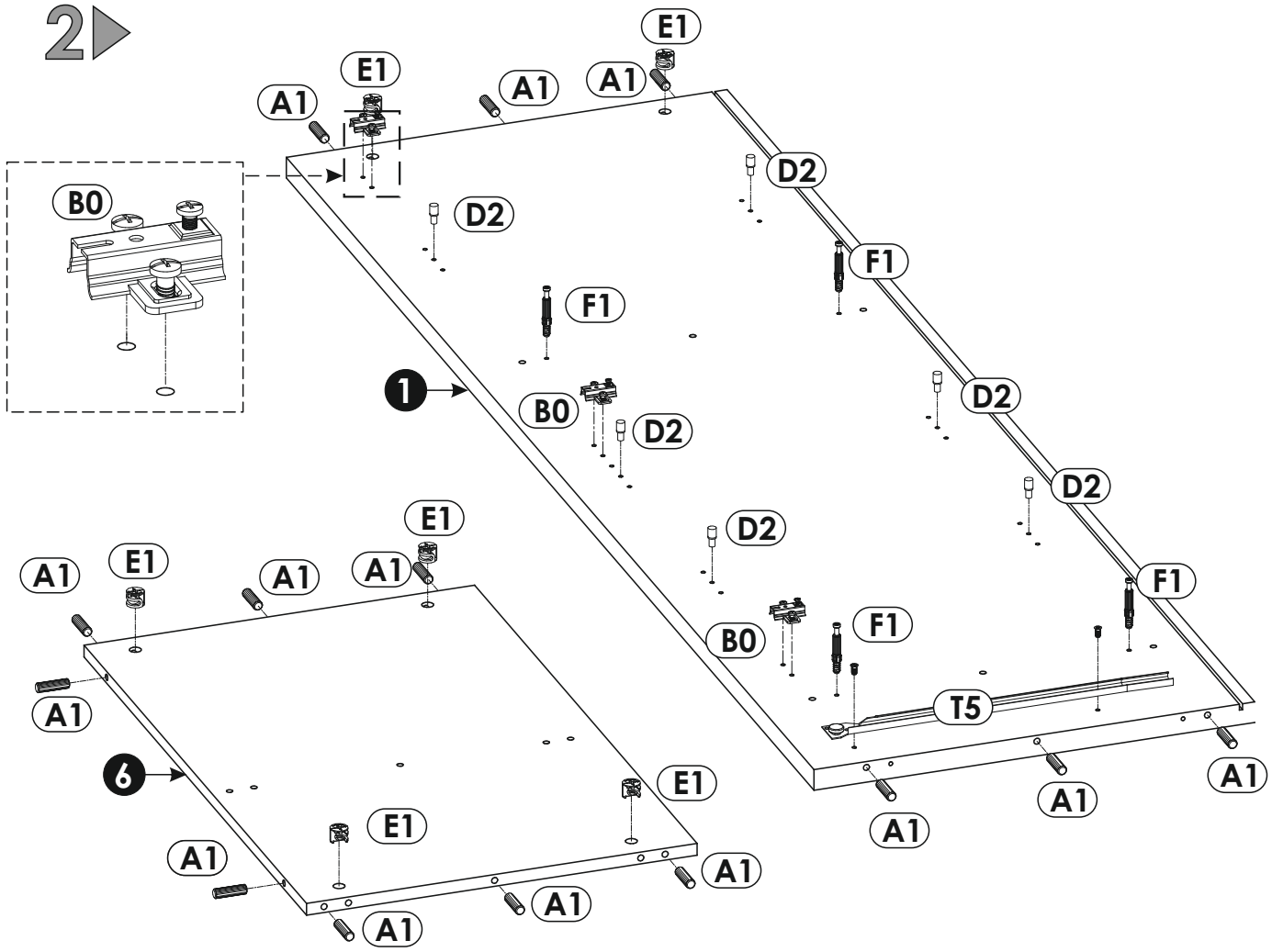


1	1904	579	28	x1	4/4
2	1904	579	28	x1	3/4
3	860	580	28	x1	2/4
4	860	580	28	x1	2/4
5	1701	529	16	x1	3/4
6	803	513	16	x1	2/4
7	333	513	16	x1	1/4
8	333	513	16	x3	1/4
9	454	513	16	x2	2/4
10	187	529	16	x1	3/4
11	803	60	16	x1	1/4
12	327	109	16	x1	1/4
13	448	109	16	x1	1/4
14	457	1043	16	x1	1/4
15	337	1043	16	x1	1/4
16	337	648	16	x1	1/4
17	457	648	16	x1	1/4
18	337	157	16	x1	1/4
19	457	157	16	x1	1/4
20	397	80	16	x1	1/4
21	276	80	16	x1	1/4
22	450	80	16	x2	1/4
23	450	80	16	x2	1/4
24	428	455	3	x1	1/4
25	307	455	3	x1	1/4

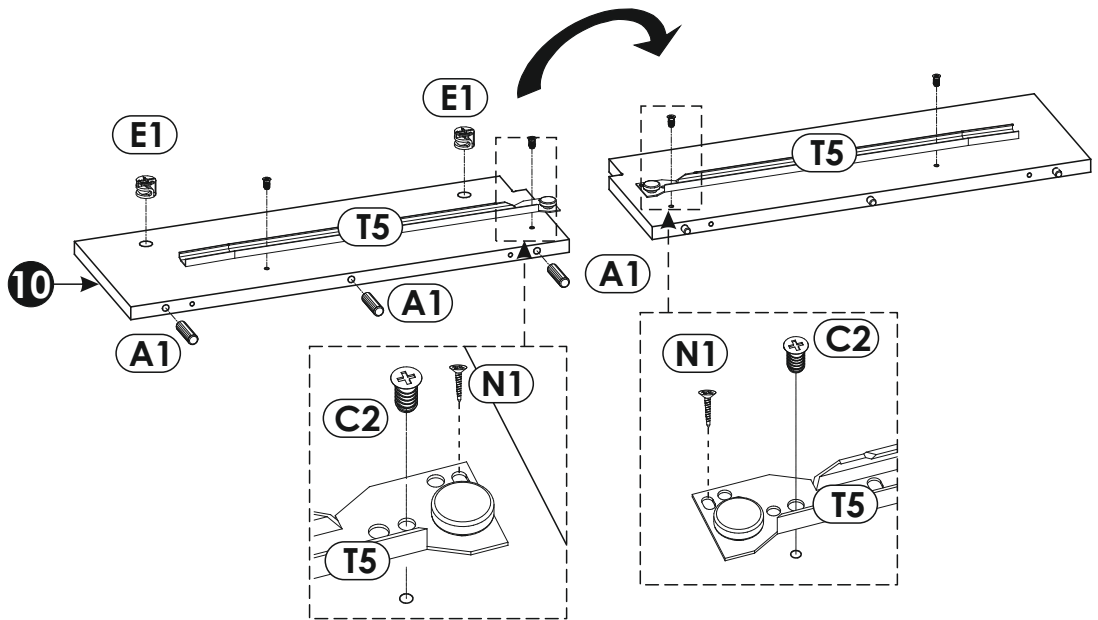
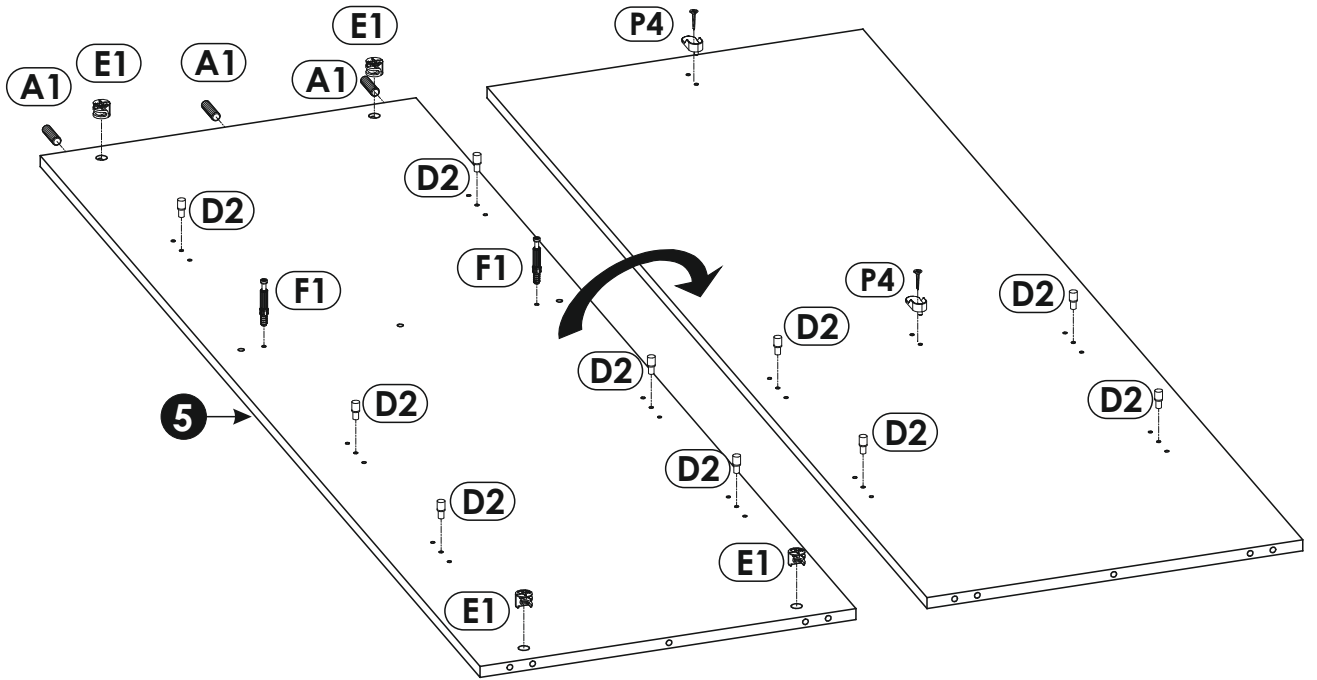
26	1917	347	3	x1	4/4
27	1917	468	3	x1	4/4



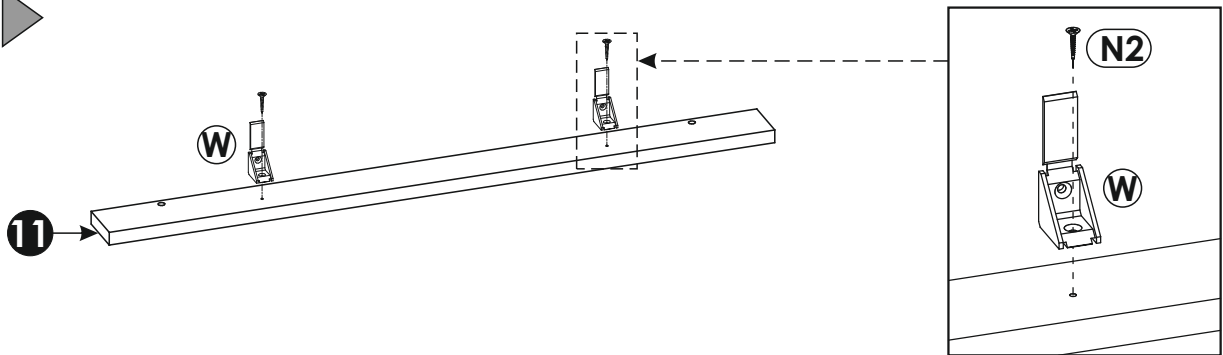
2



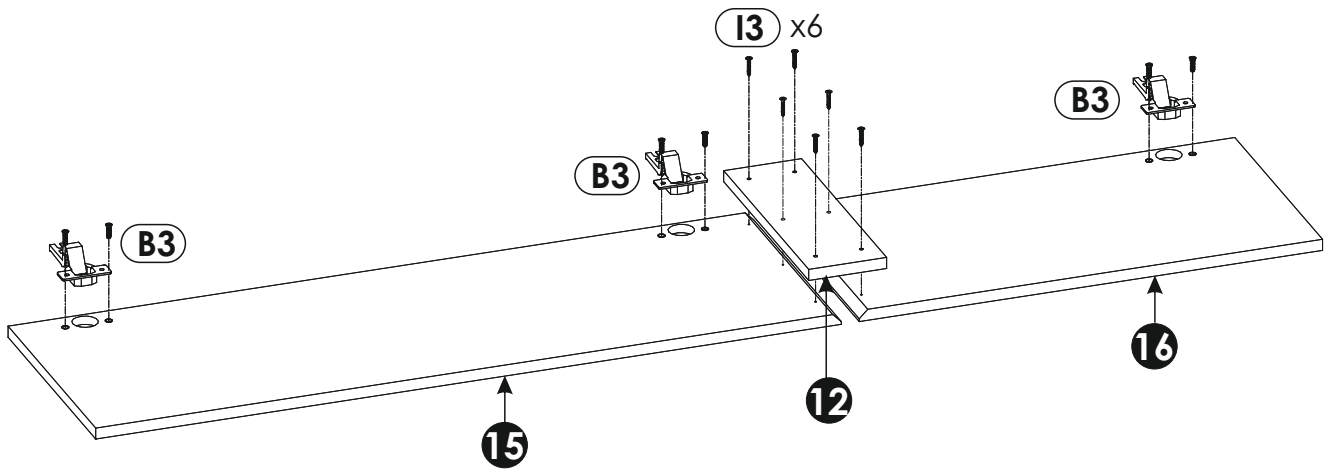
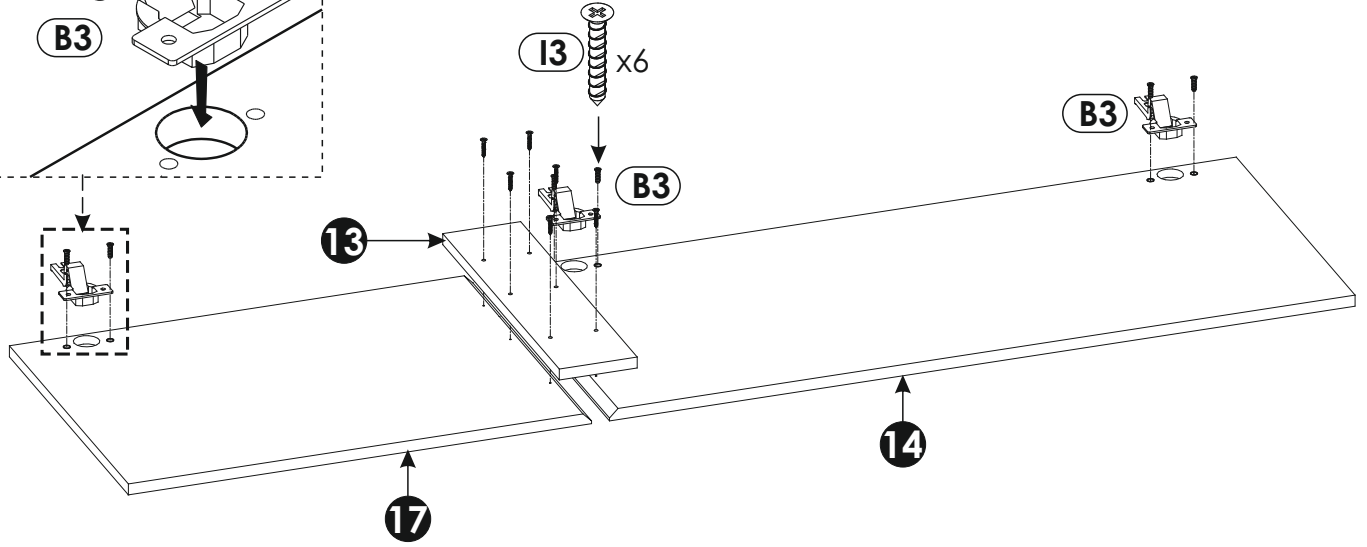
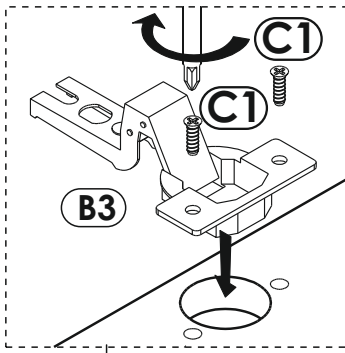
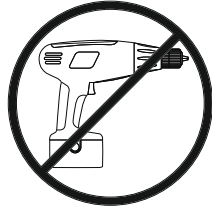
3 ▶



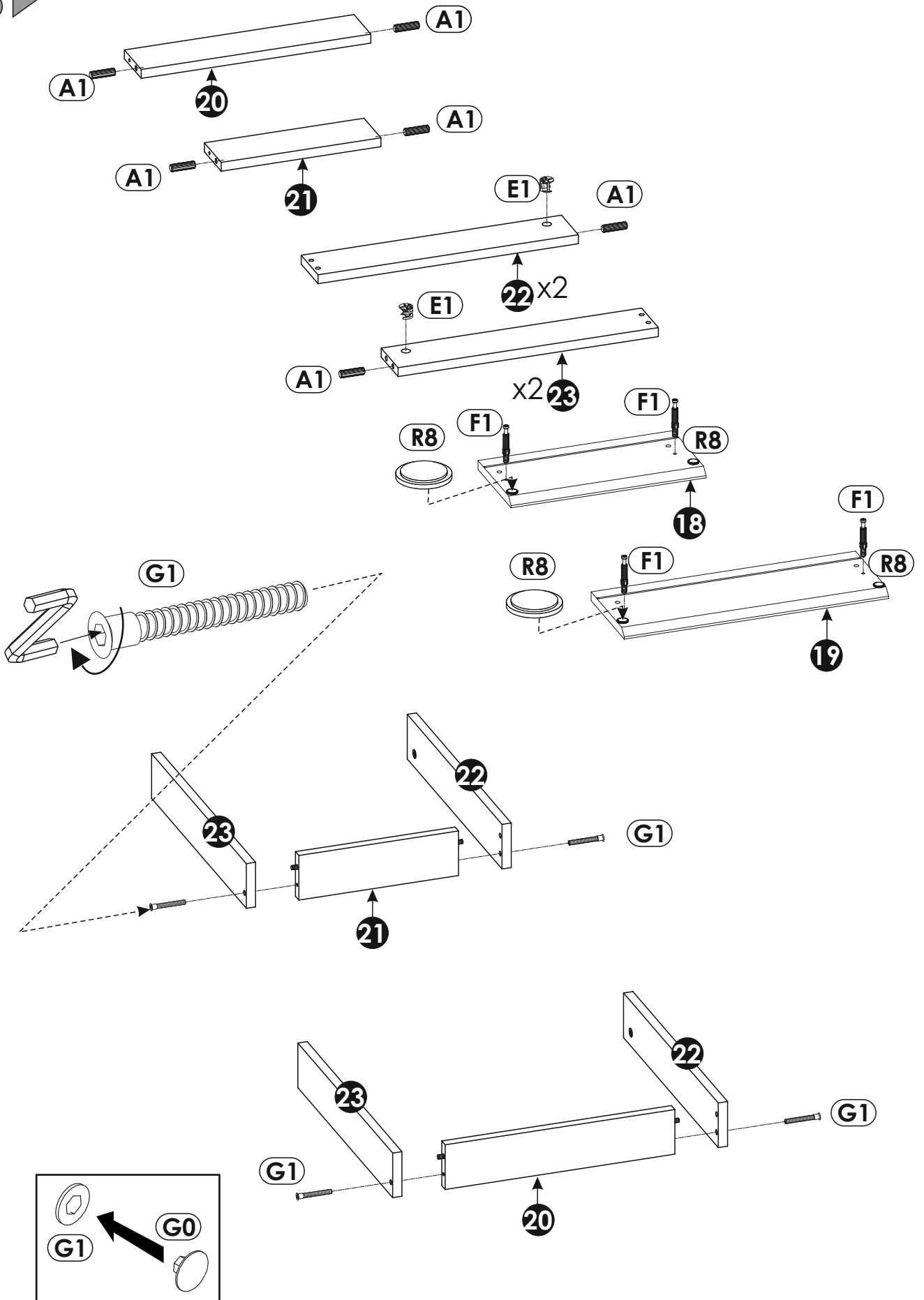
4 ▶



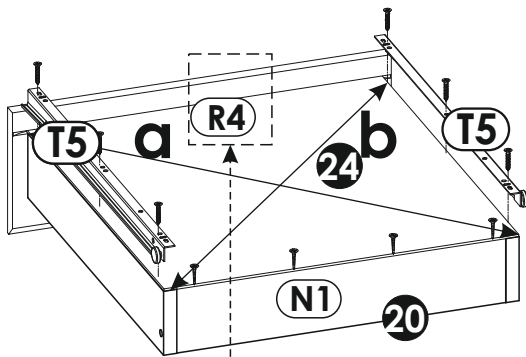
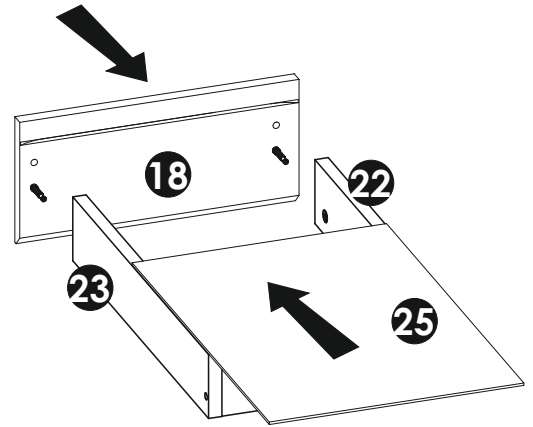
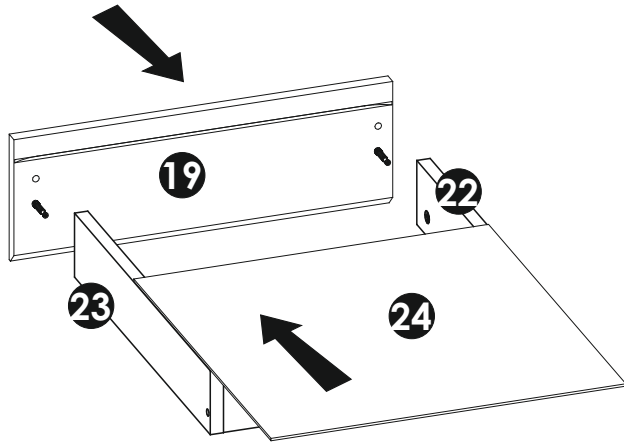
5 ▶



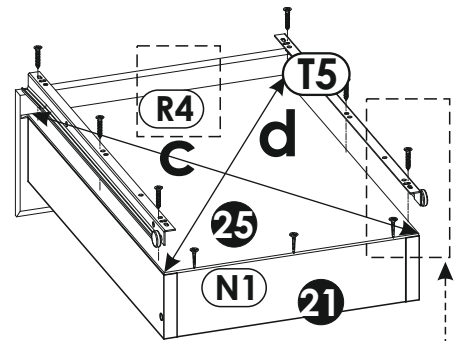
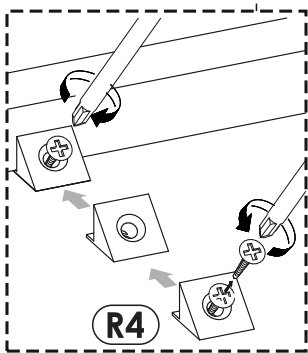
6 ▶



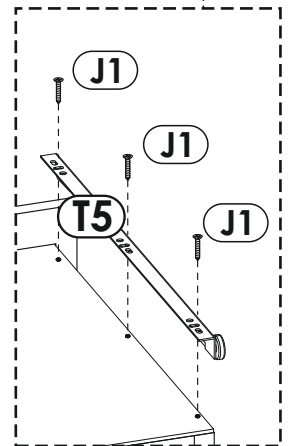
7 ▶



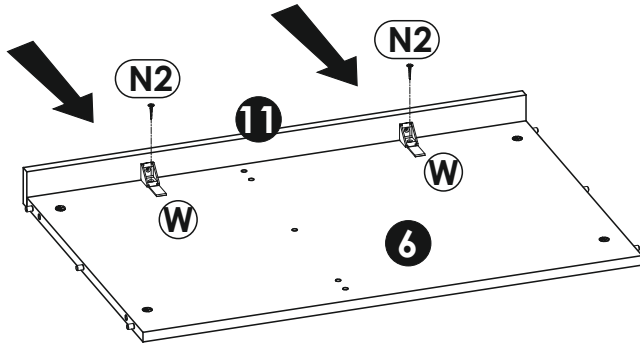
$a=b$



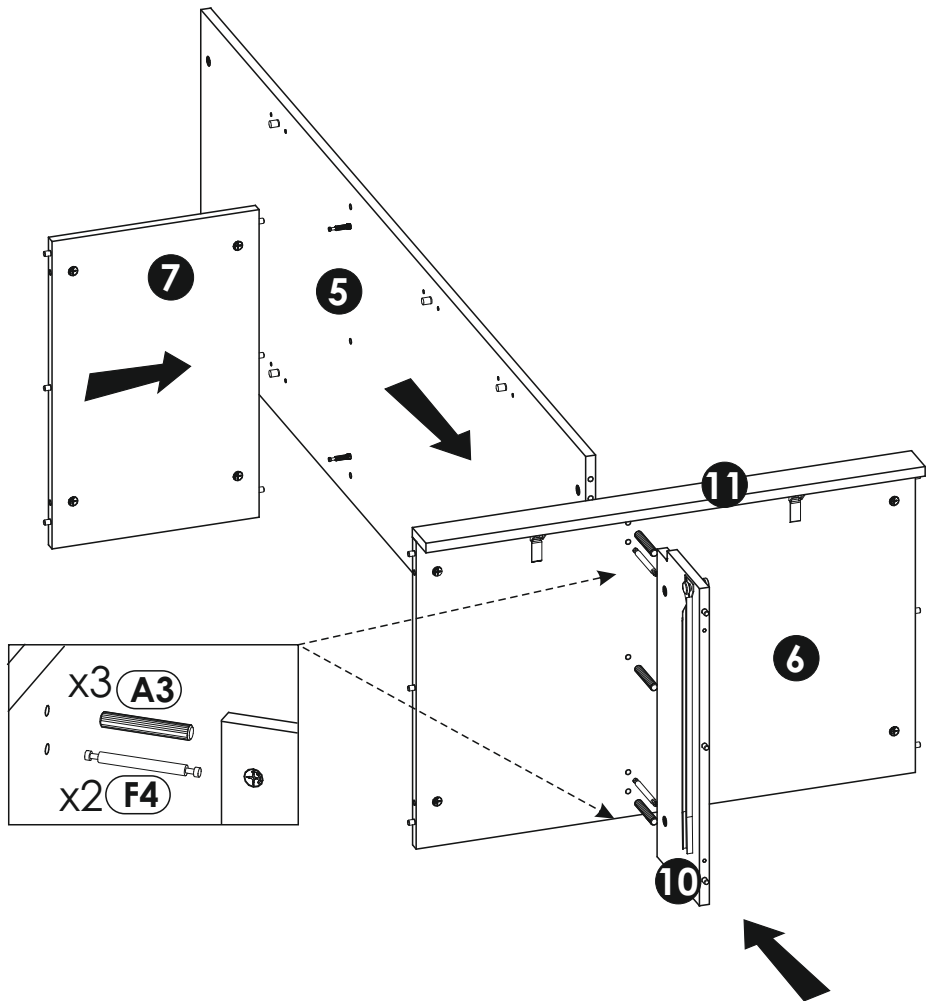
$c=d$



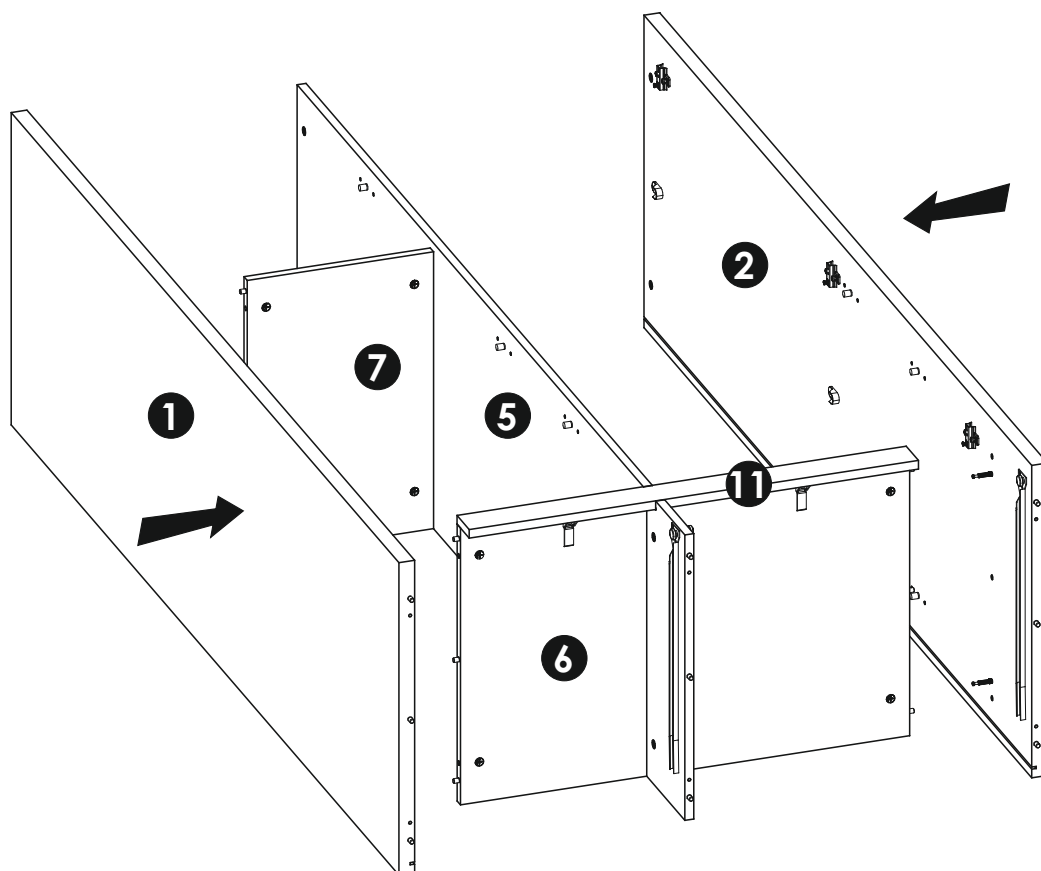
8 ▶



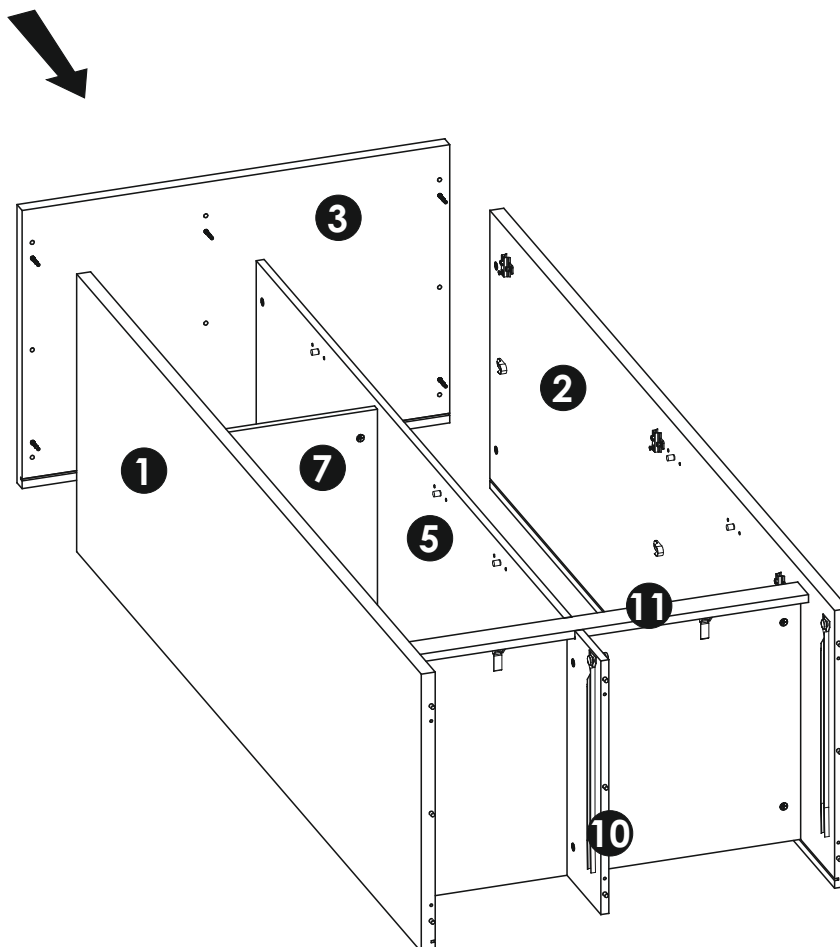
9 ▶



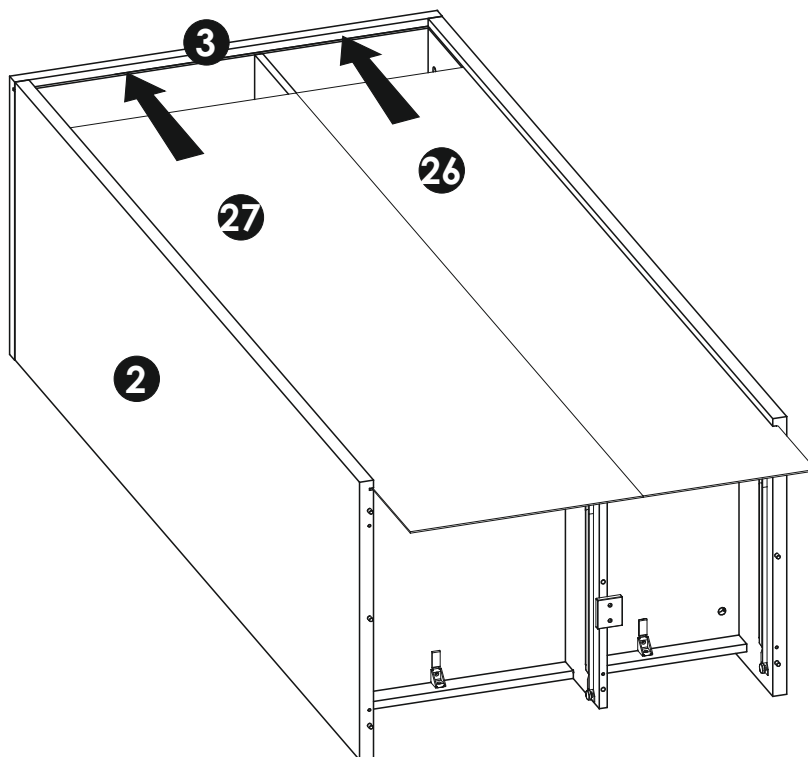
10 ▶



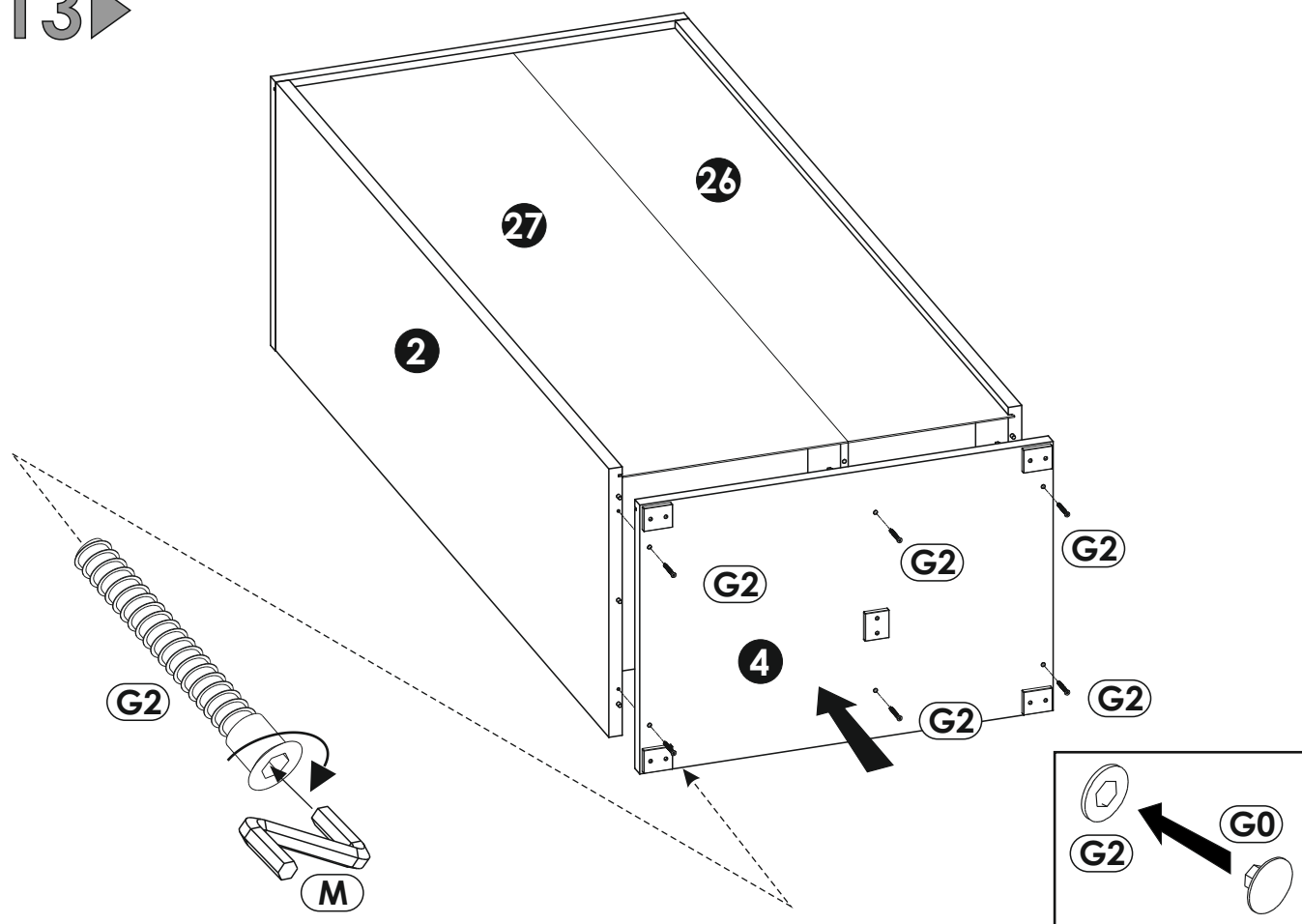
11 ▶



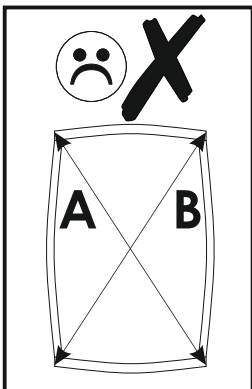
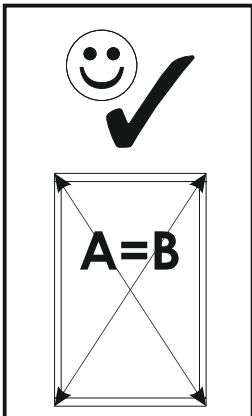
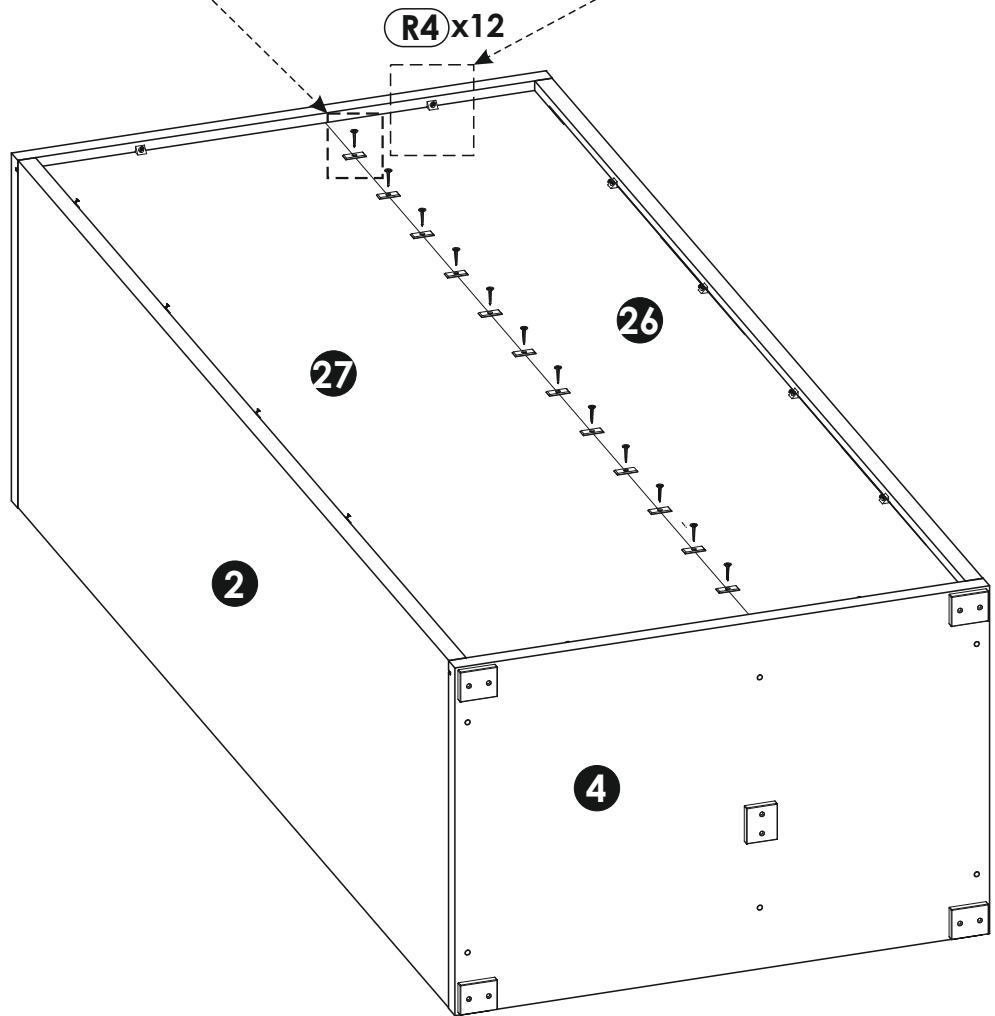
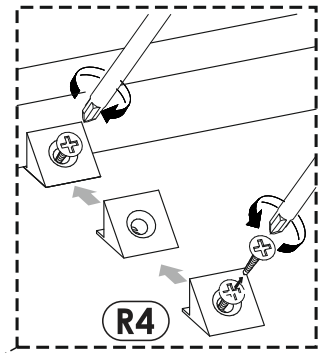
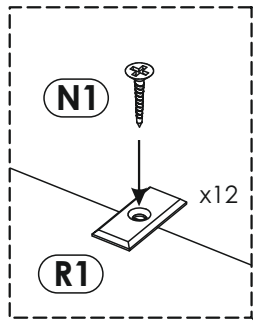
12▶



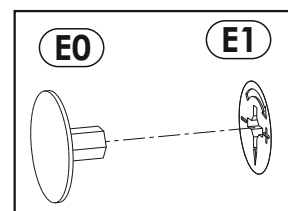
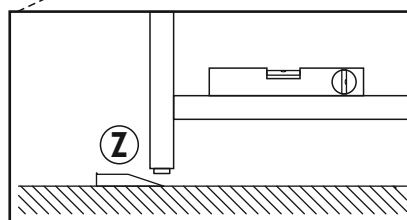
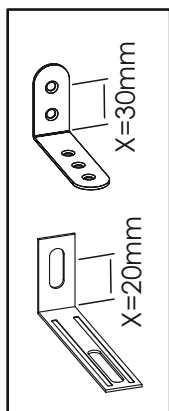
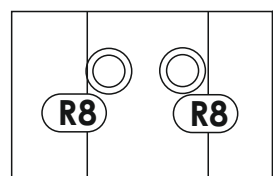
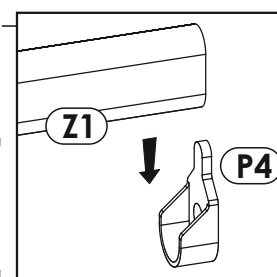
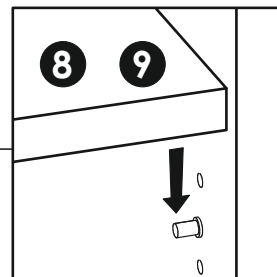
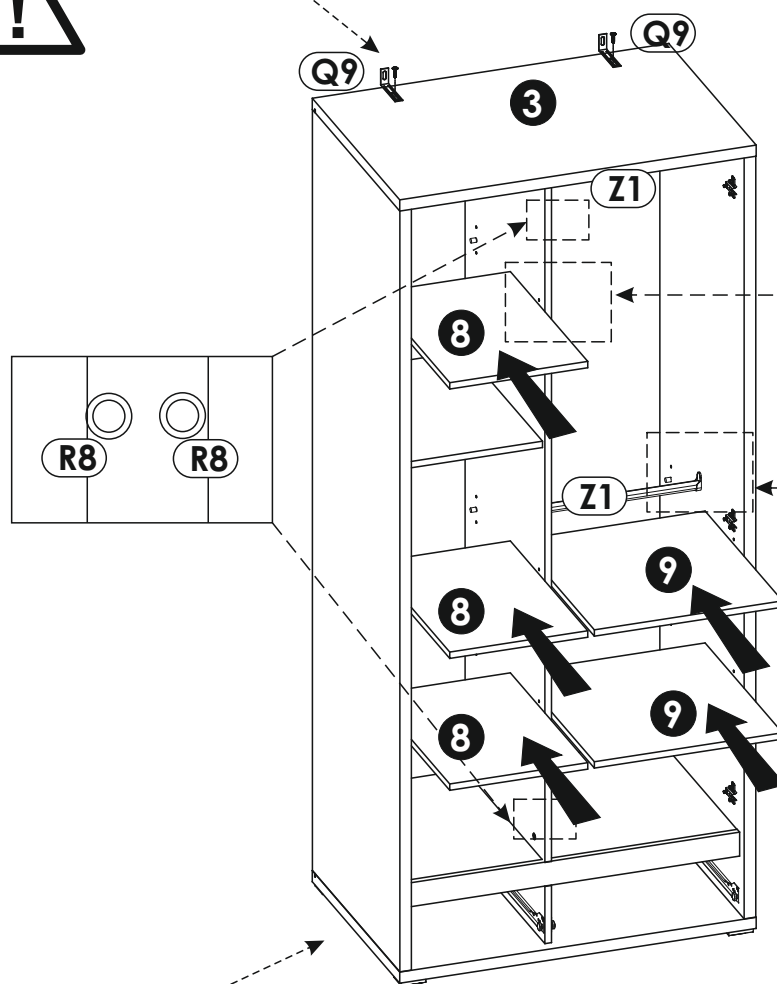
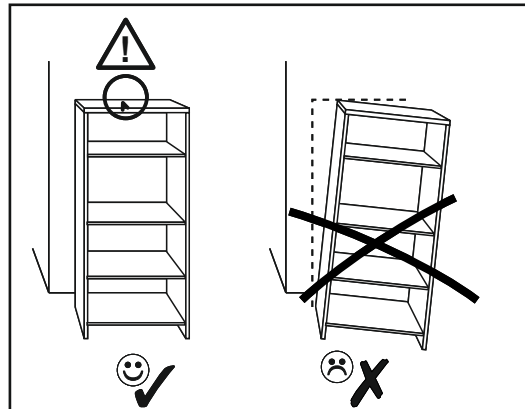
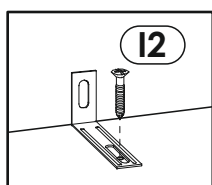
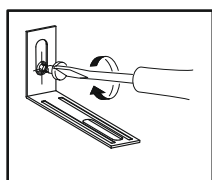
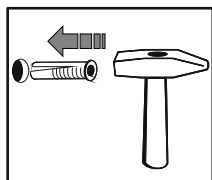
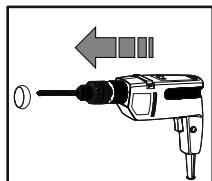
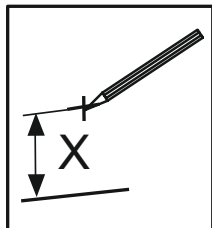
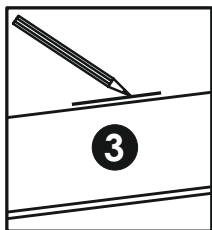
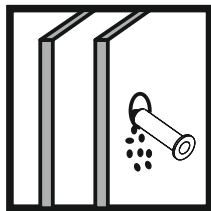
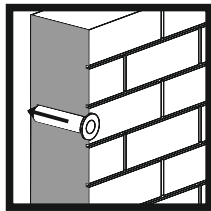
13▶



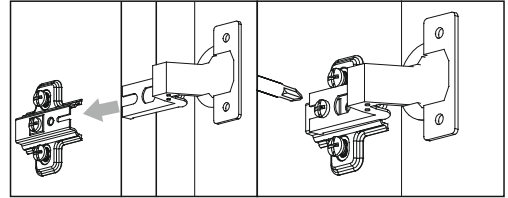
14▶



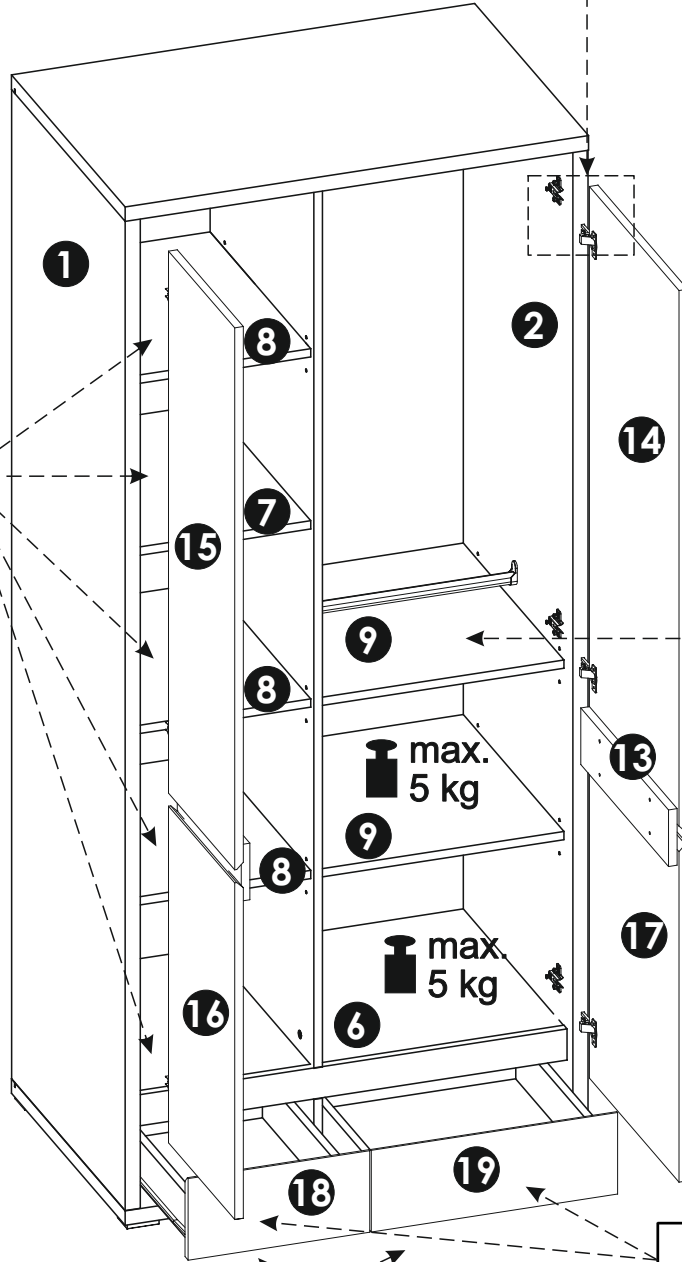
15 ▶



13 ▶



max.
5 kg



max.
5 kg

max.
5 kg

