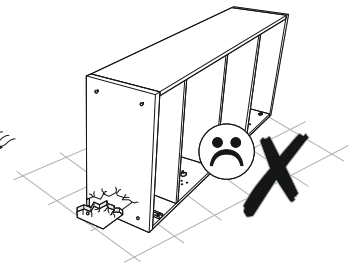
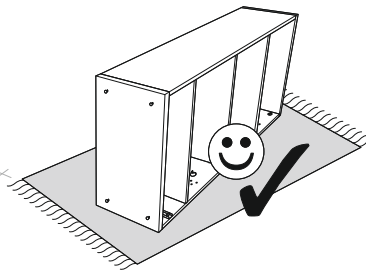
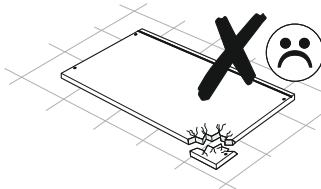
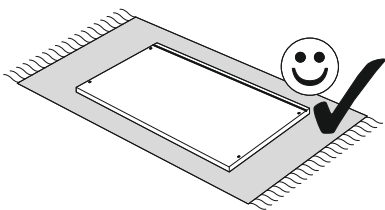
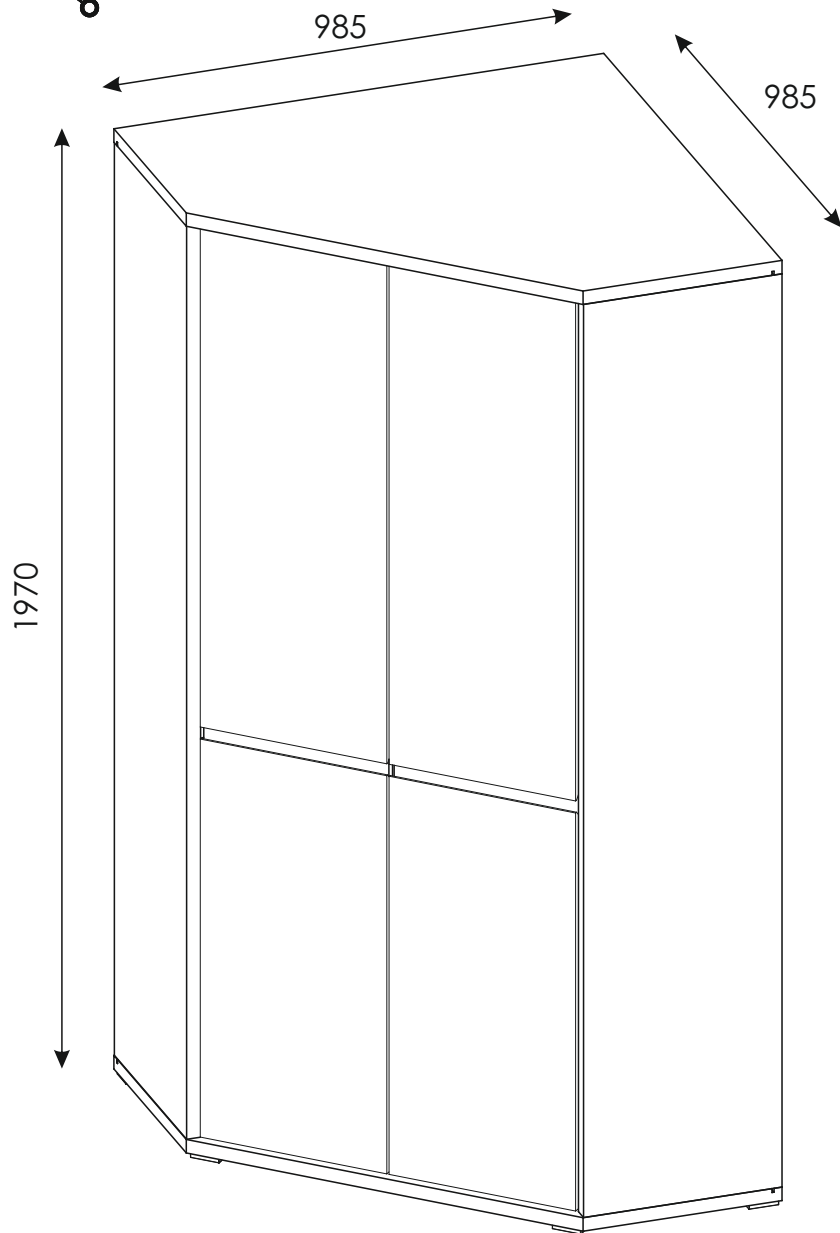
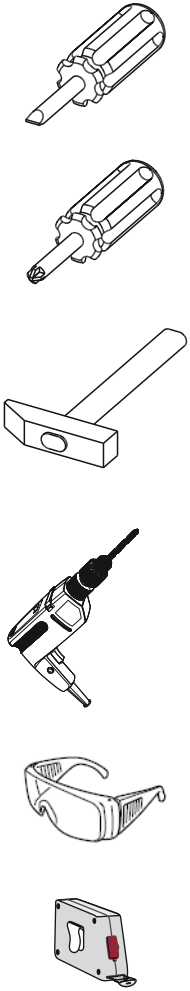
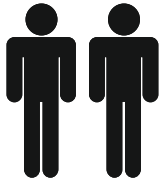
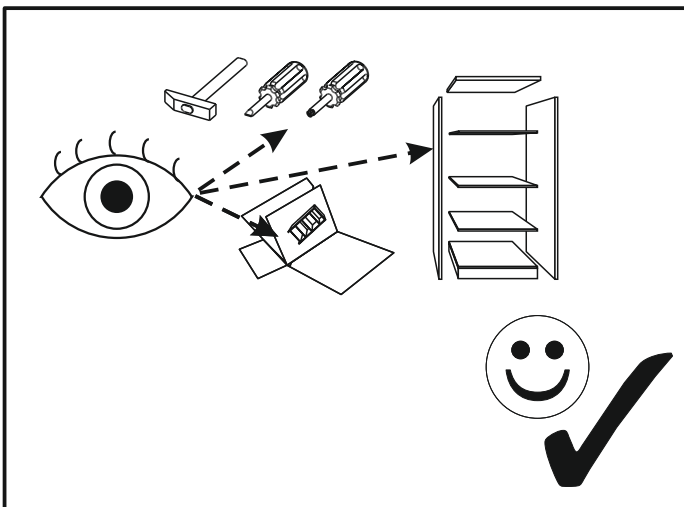
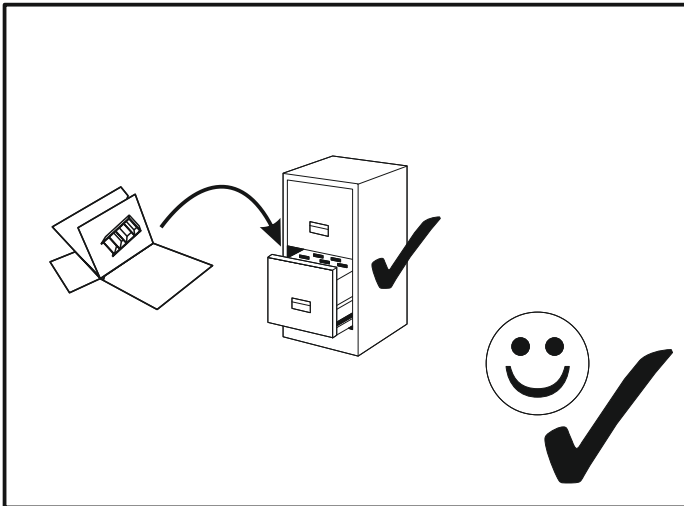
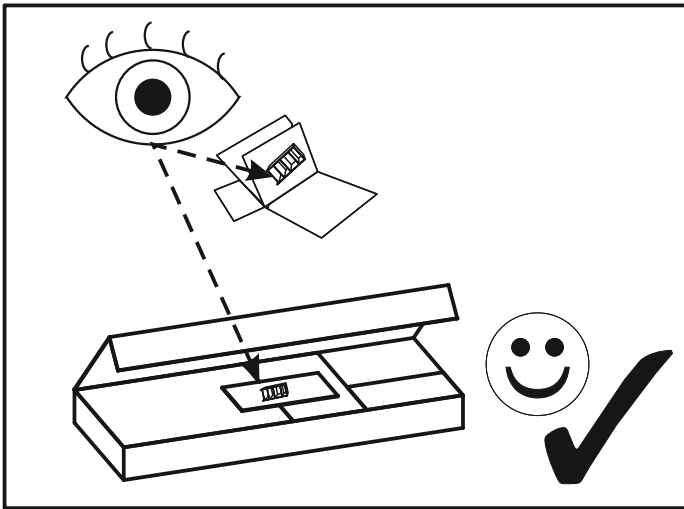


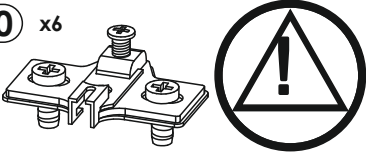
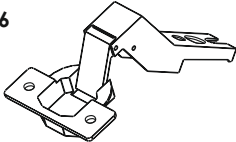
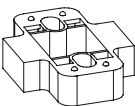






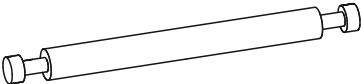


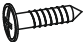
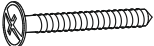
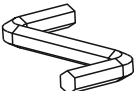

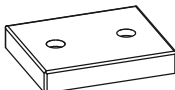
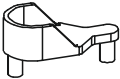


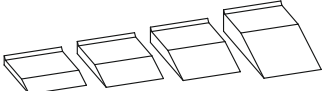

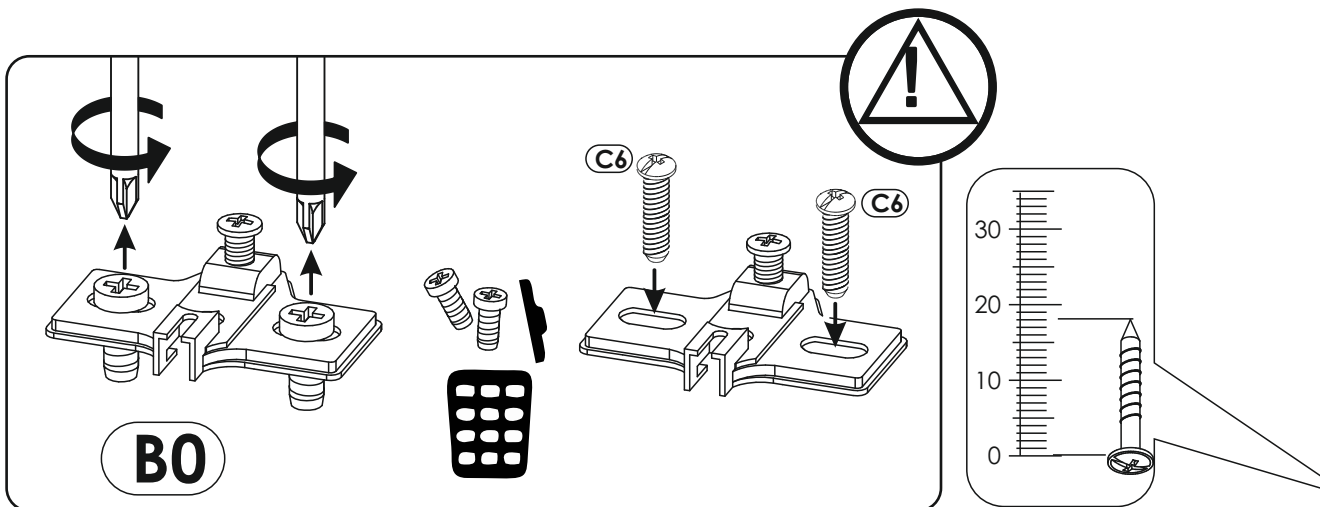
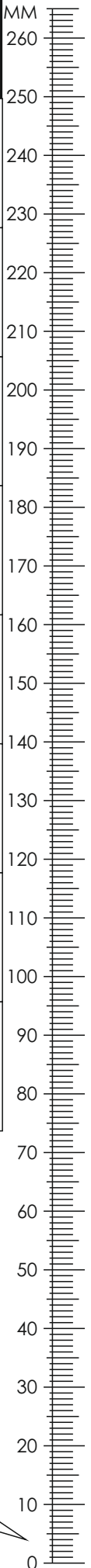


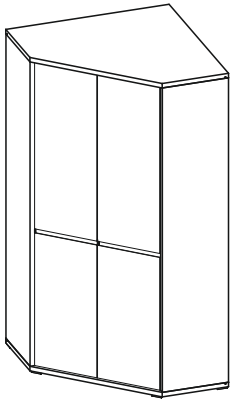
SHELDON TYP 21



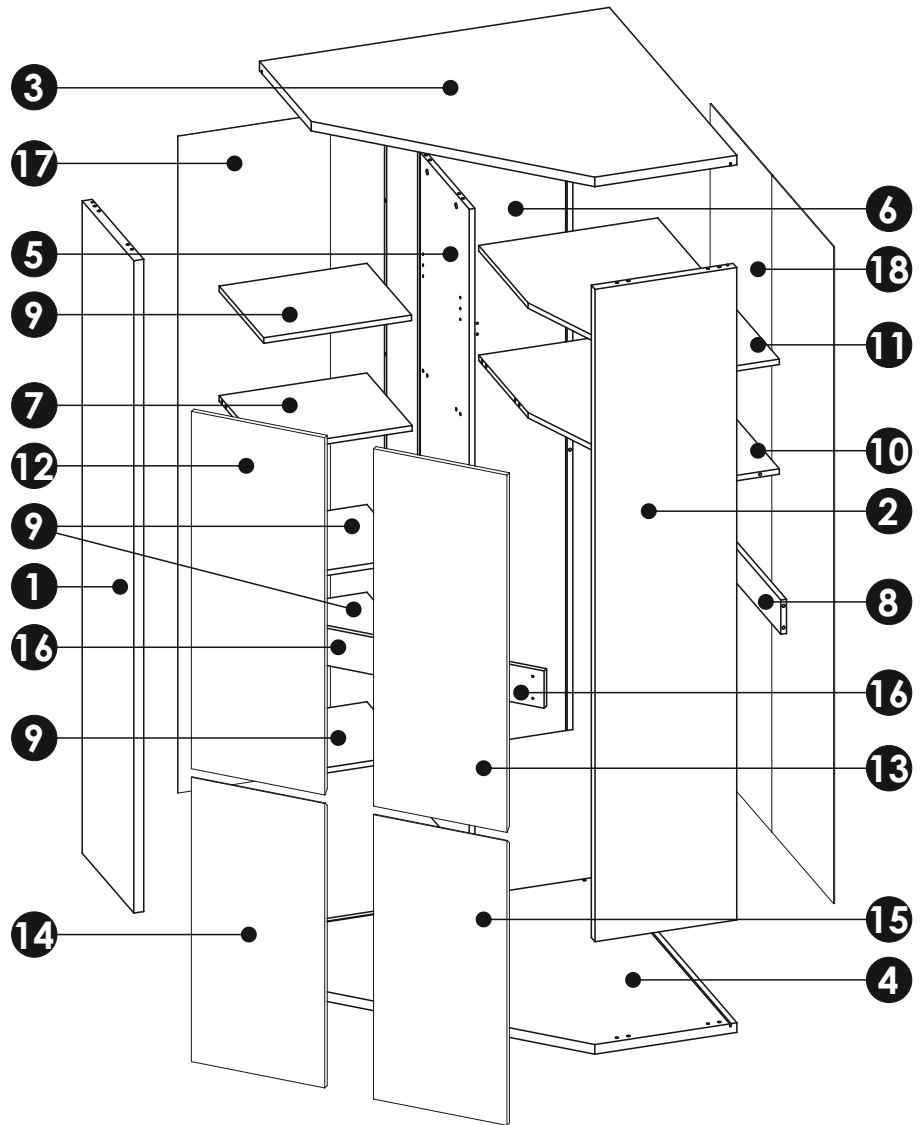


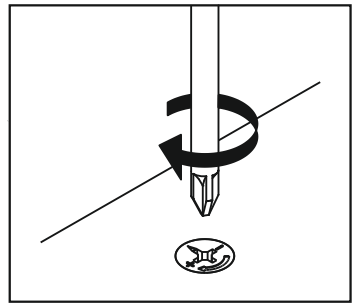
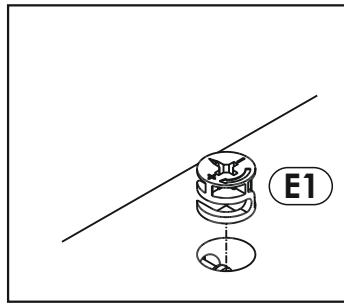
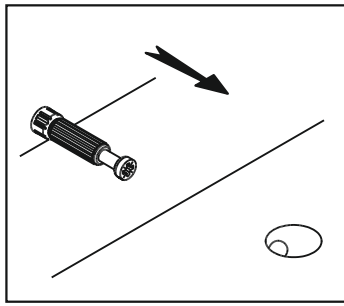
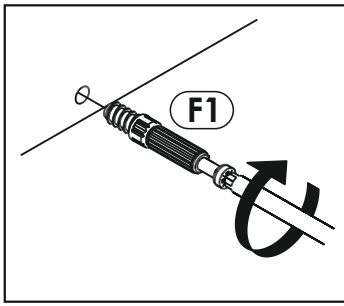
A1 x20 $\varnothing 8 \times 35$ mm 	A3 x 2 $\varnothing 8 \times 60$ mm 	B0 x6 
B5 x6 	BD x6 	C1 x12 EURO 4 x 13mm 
C6 x12 $\varnothing 6 \times 30$ mm 	D2 x25 	E0 24 
E1 24 $\varnothing 15 \times 12$ mm 	F1 x20 	F4 x 2 $\varnothing 7 \times 82$ mm 
G0 x8 	G2 x8 $\varnothing 7 \times 60$ mm 	I2 x2 4 x 16mm 
I12 x8 4 x 30mm 	M x1 	N2 x14 US 3,5 x 16mm 
O15 x6 	P4 x 2 	Q9 x2 
R4 x26 	Z x1 	Z1 x 1 L-931 



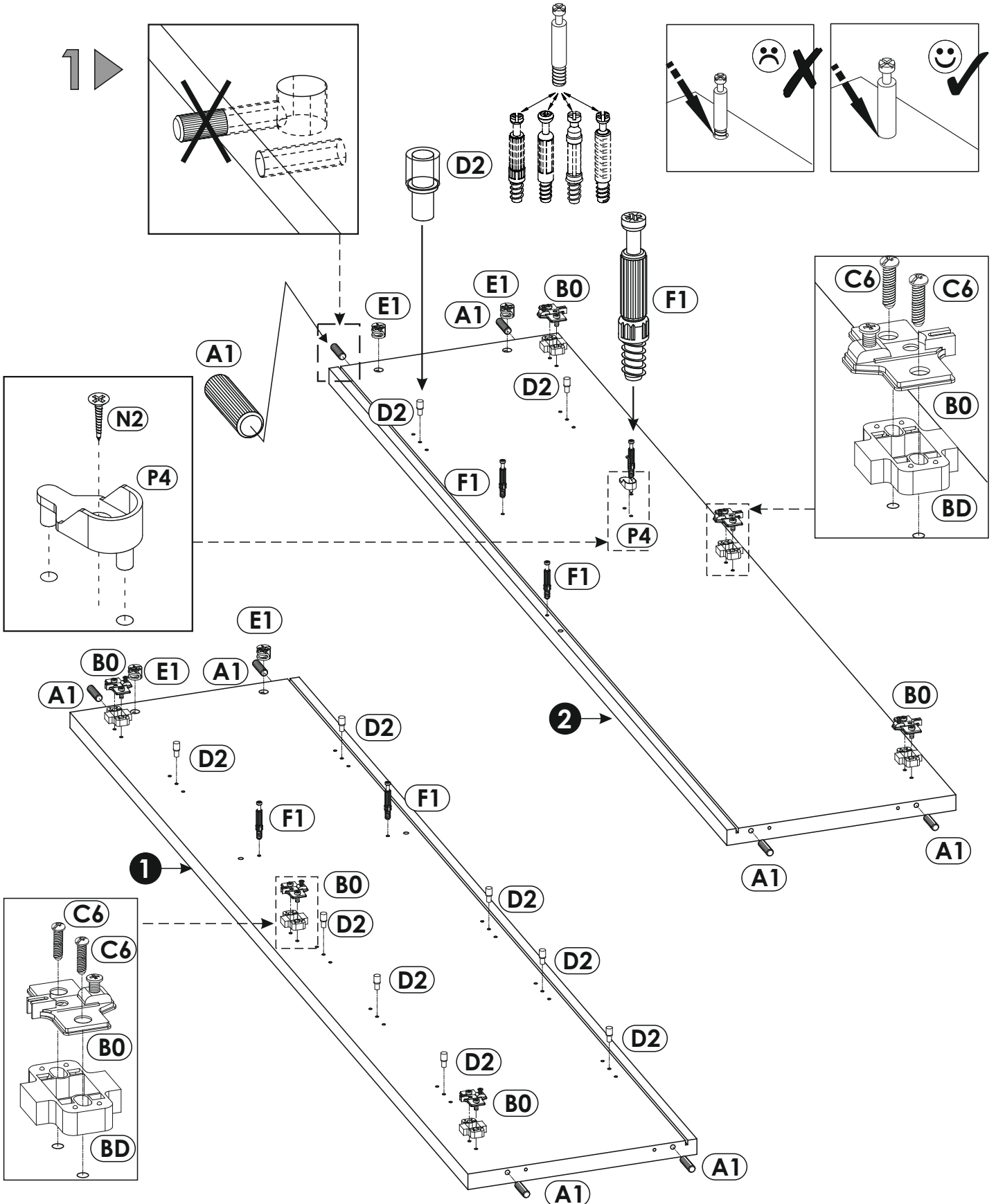
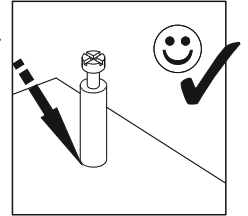
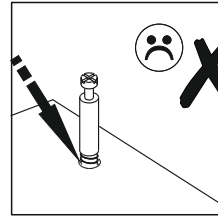
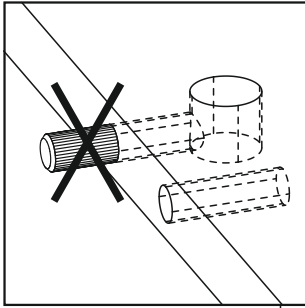


1	1904	399	28	x1	3/4
2	1904	399	28	x1	3/4
3	985	985	28	x1	4/4
4	985	985	28	x1	4/4
5	1904	399	16	x1	2/4
6	1904	524	16	x1	2/4
7	416	350	16	x1	3/4
8	940	100	16	x1	1/4
9	416	350	16	x4	2/4
10	940	504	16	x1	1/4
11	940	504	16	x1	1/4
12	389	1043	16	x1	1/4
13	389	1043	16	x1	1/4
14	389	830	16	x1	1/4
15	389	830	16	x1	1/4
16	386	109	16	x2	1/4
17	1917	429	3	x1	2/4
18	1917	952	3	x1	2/4

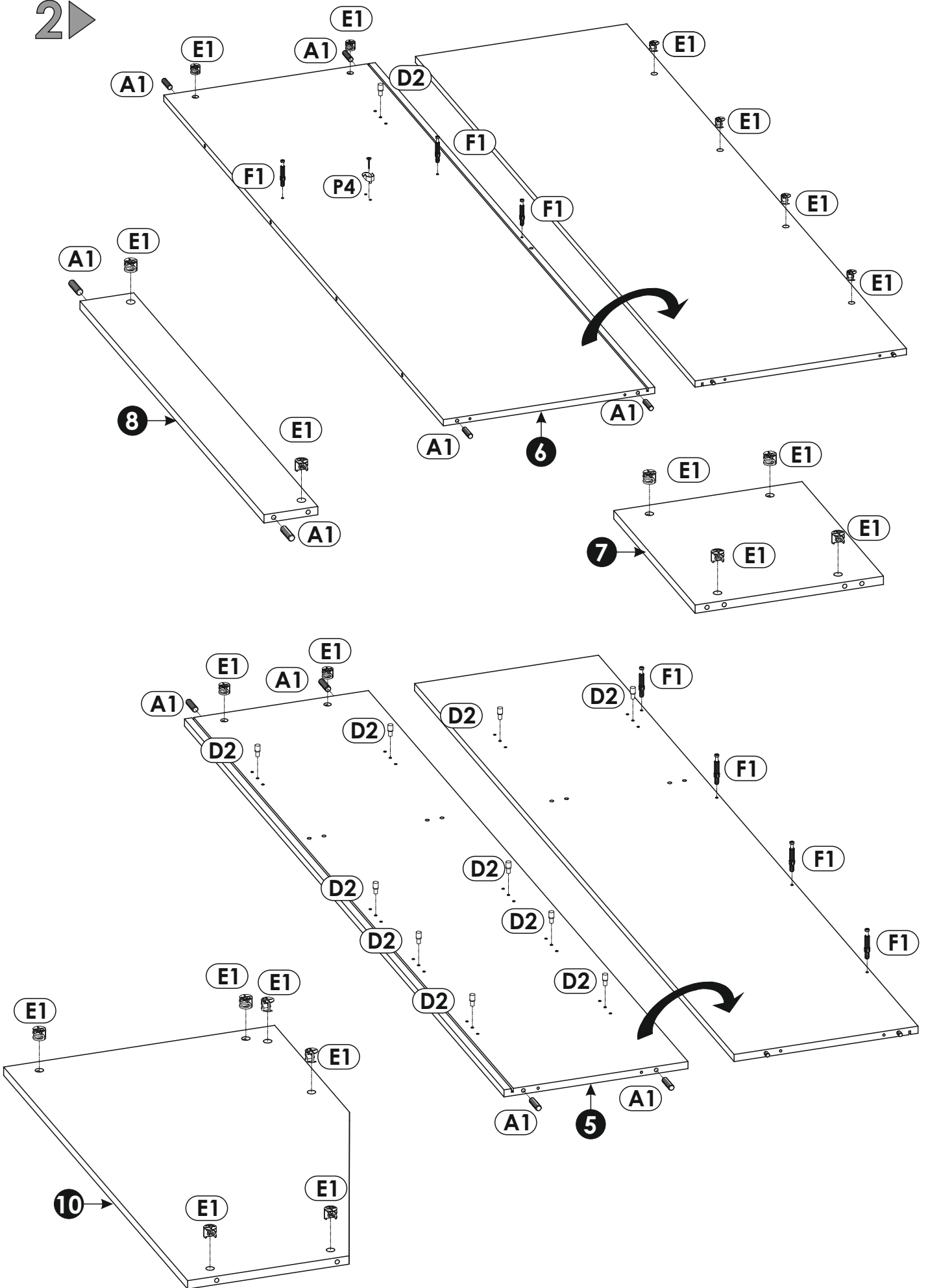




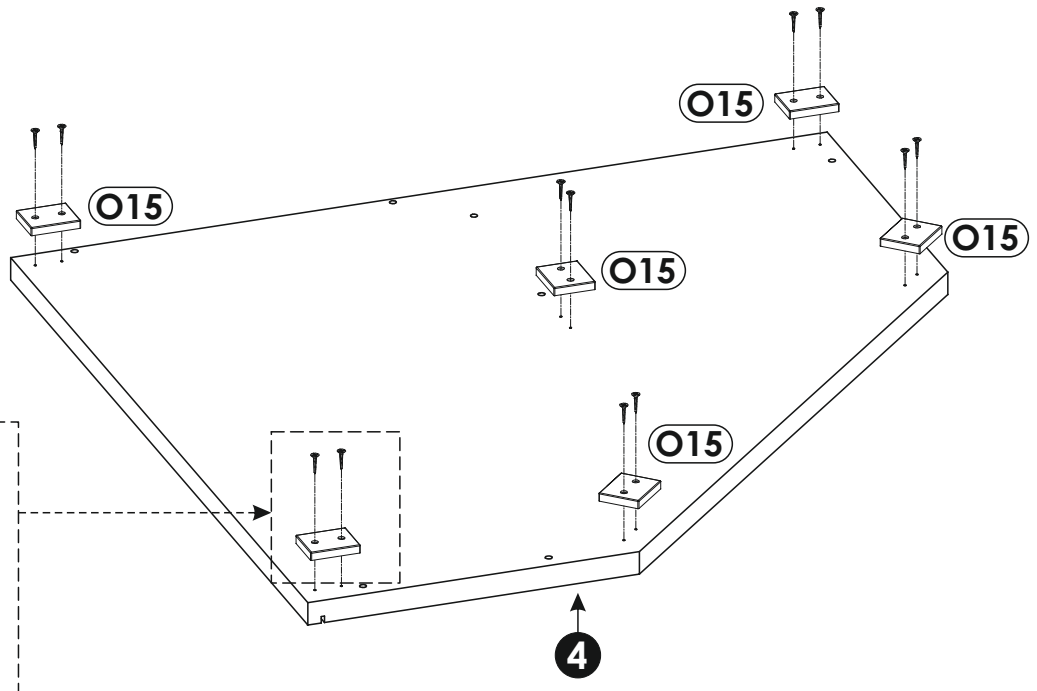
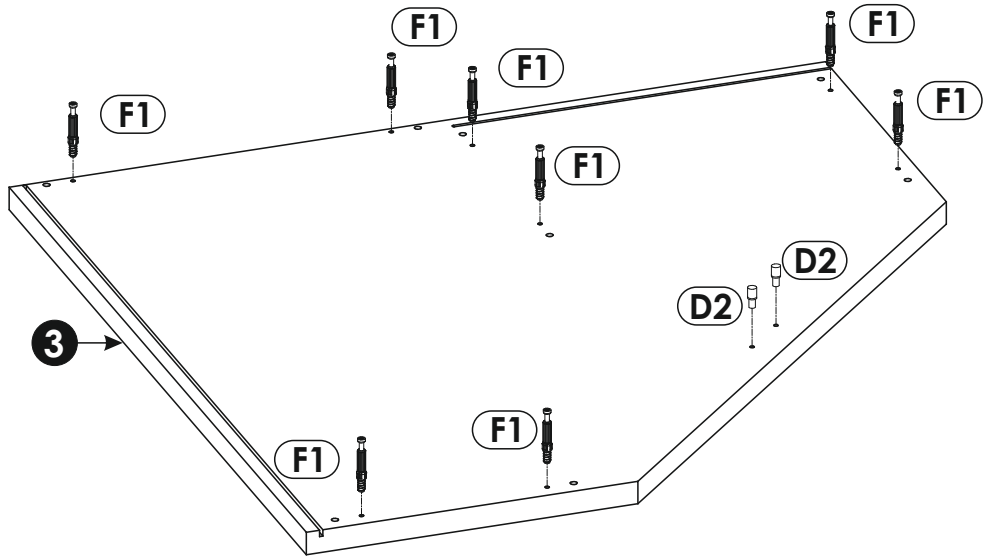
1 ▶



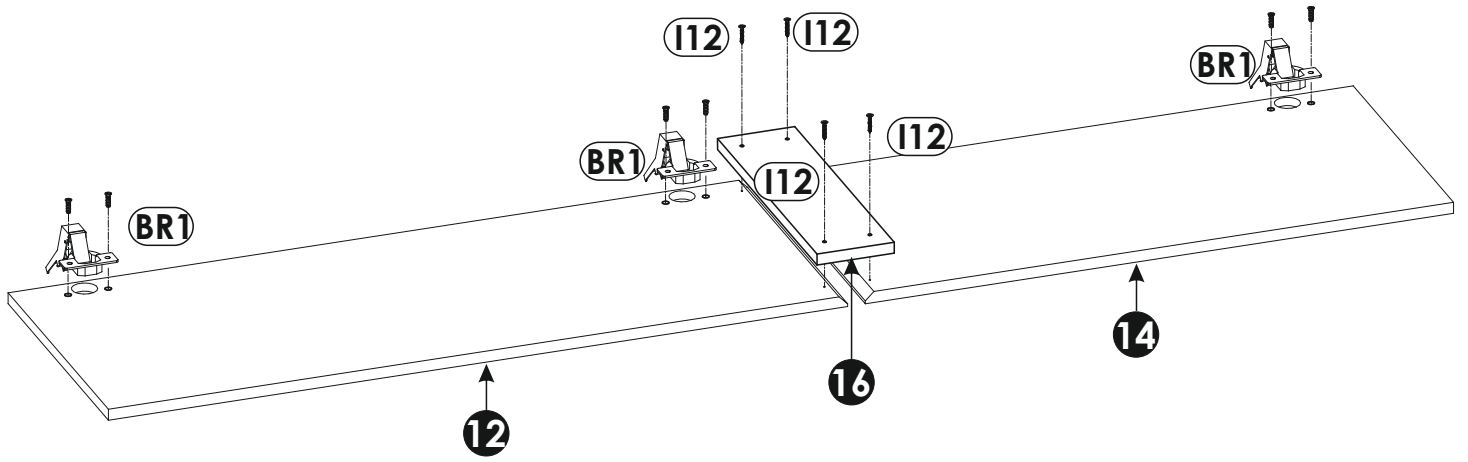
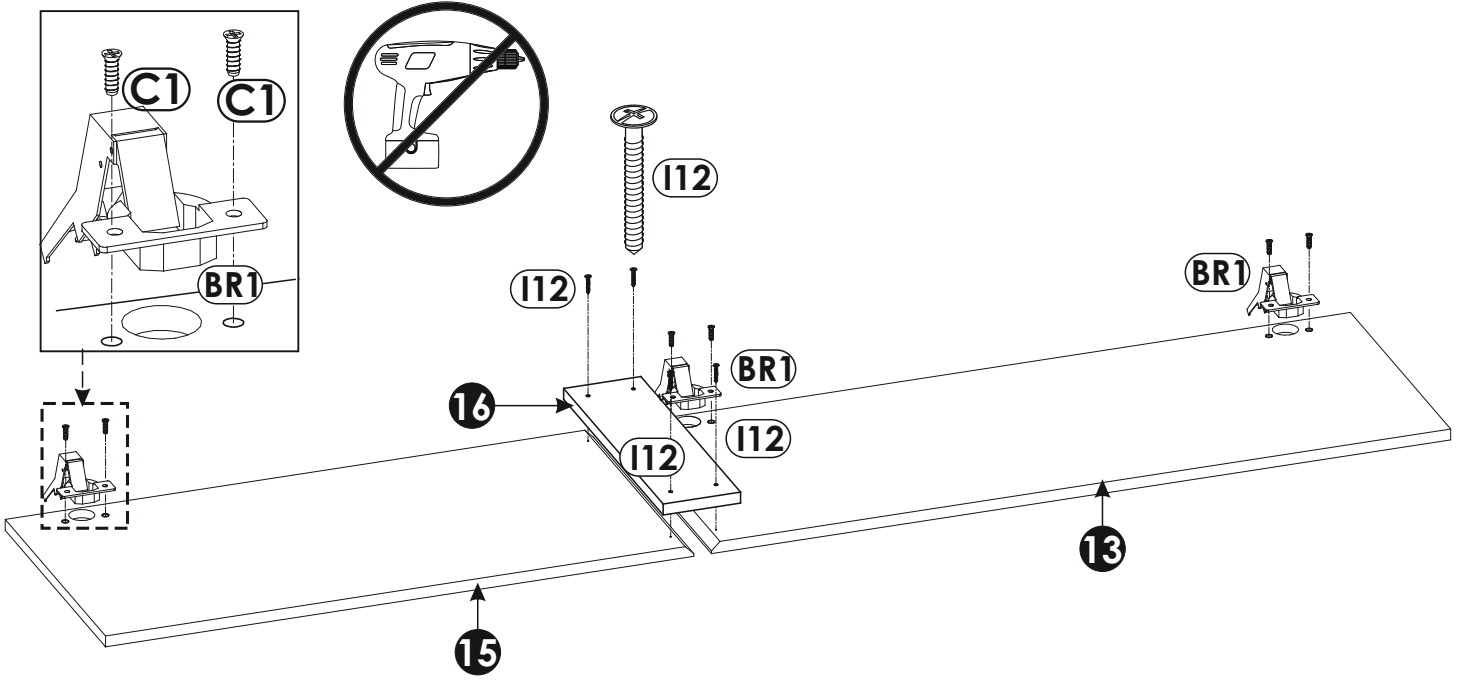
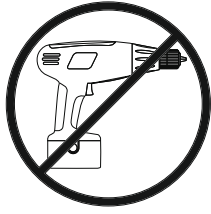
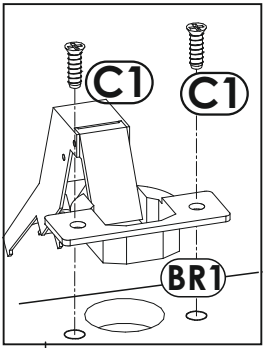
2 ▶



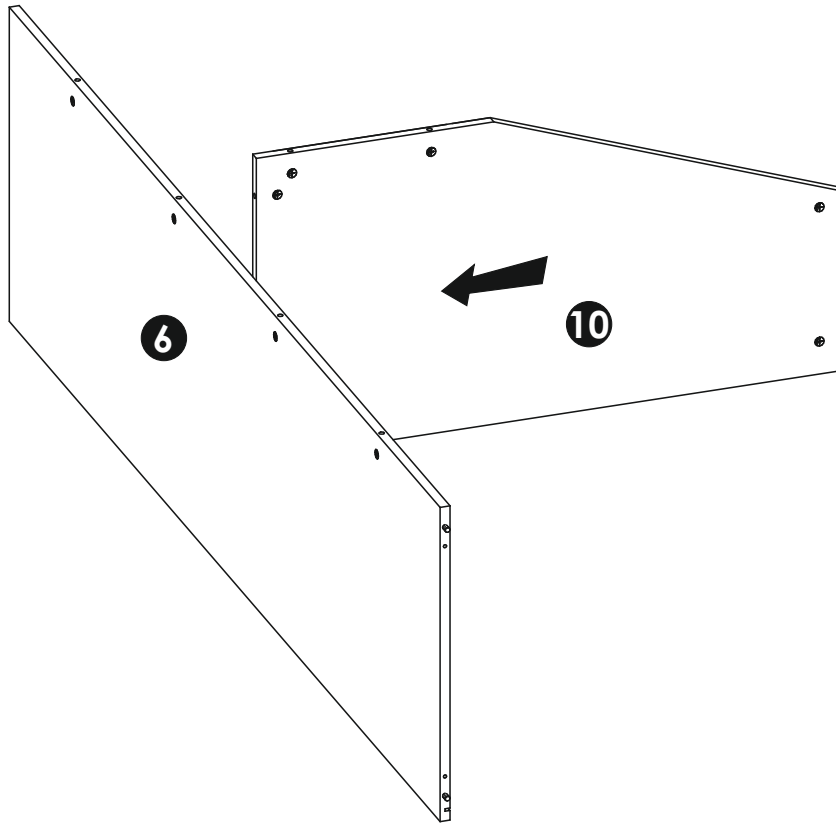
3 ▶



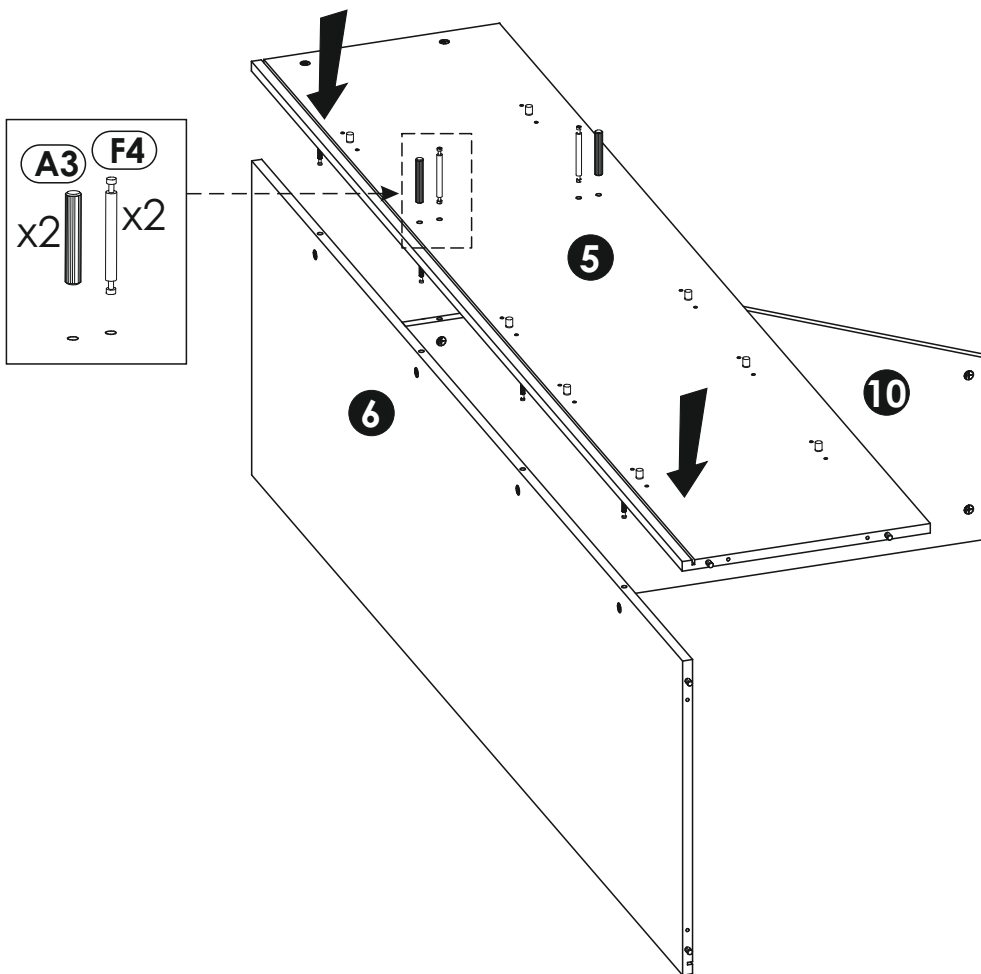
4 ▶



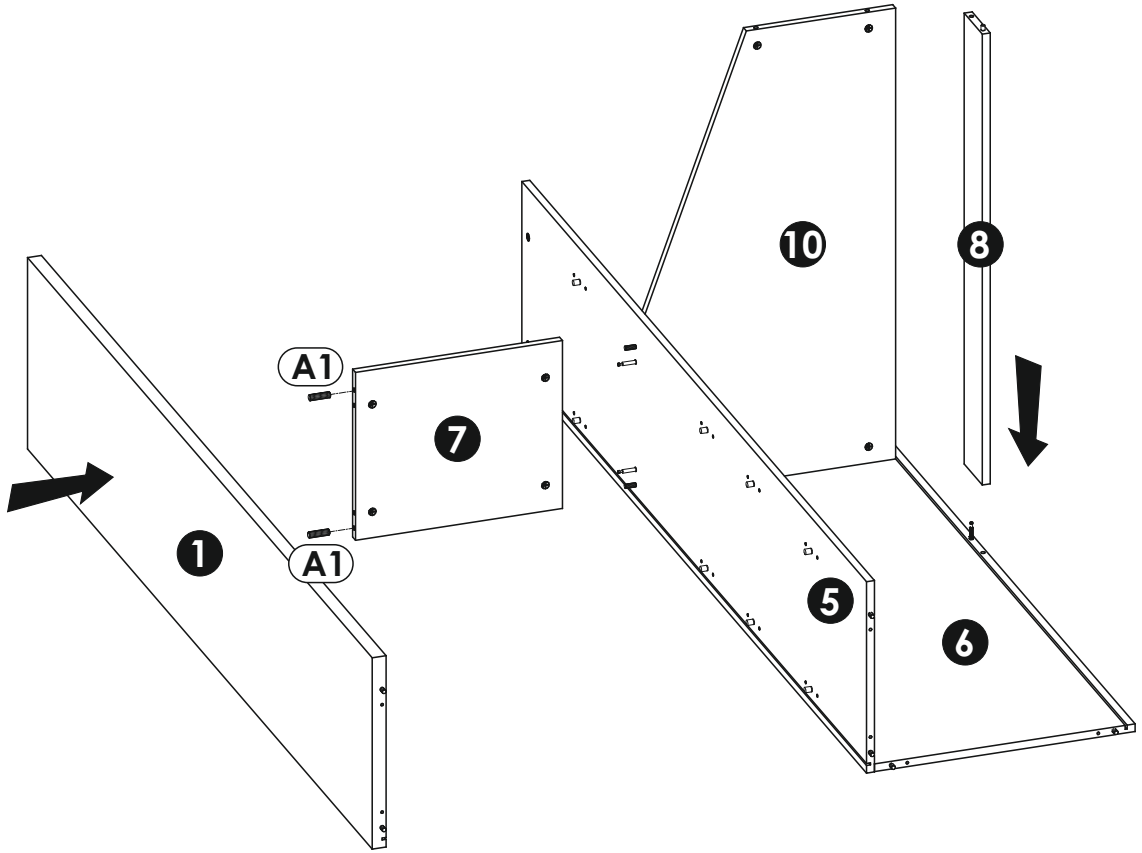
5 ▶



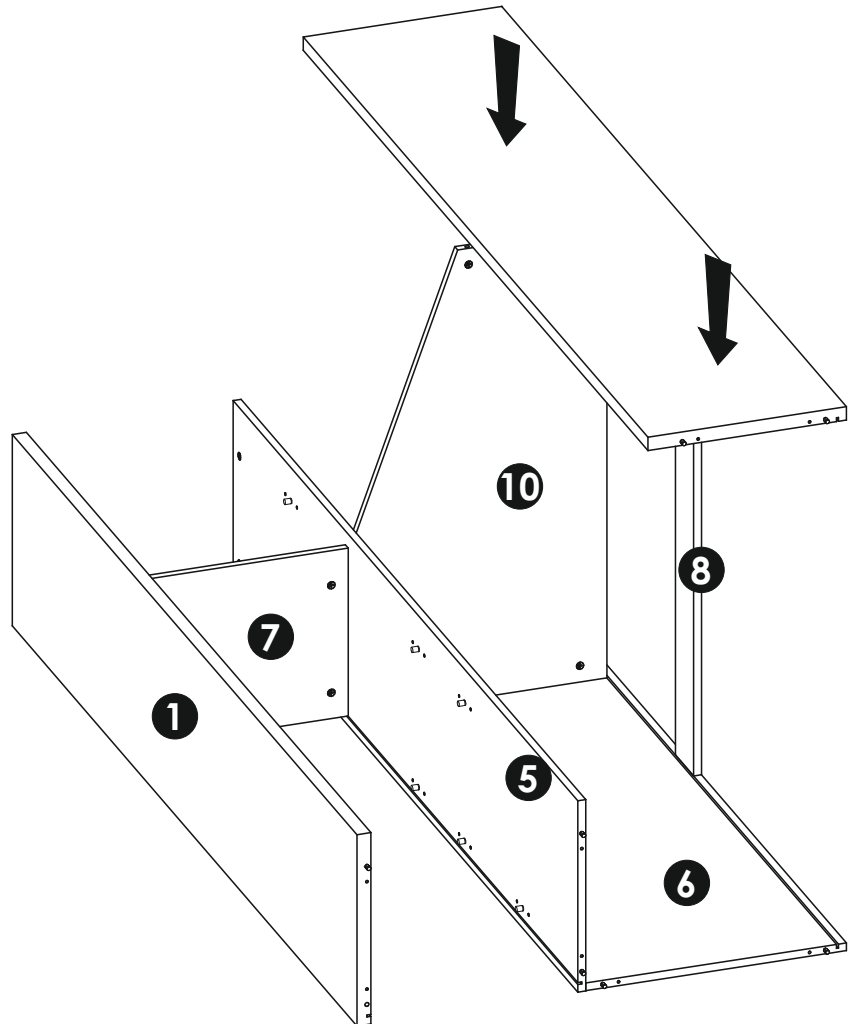
6 ▶



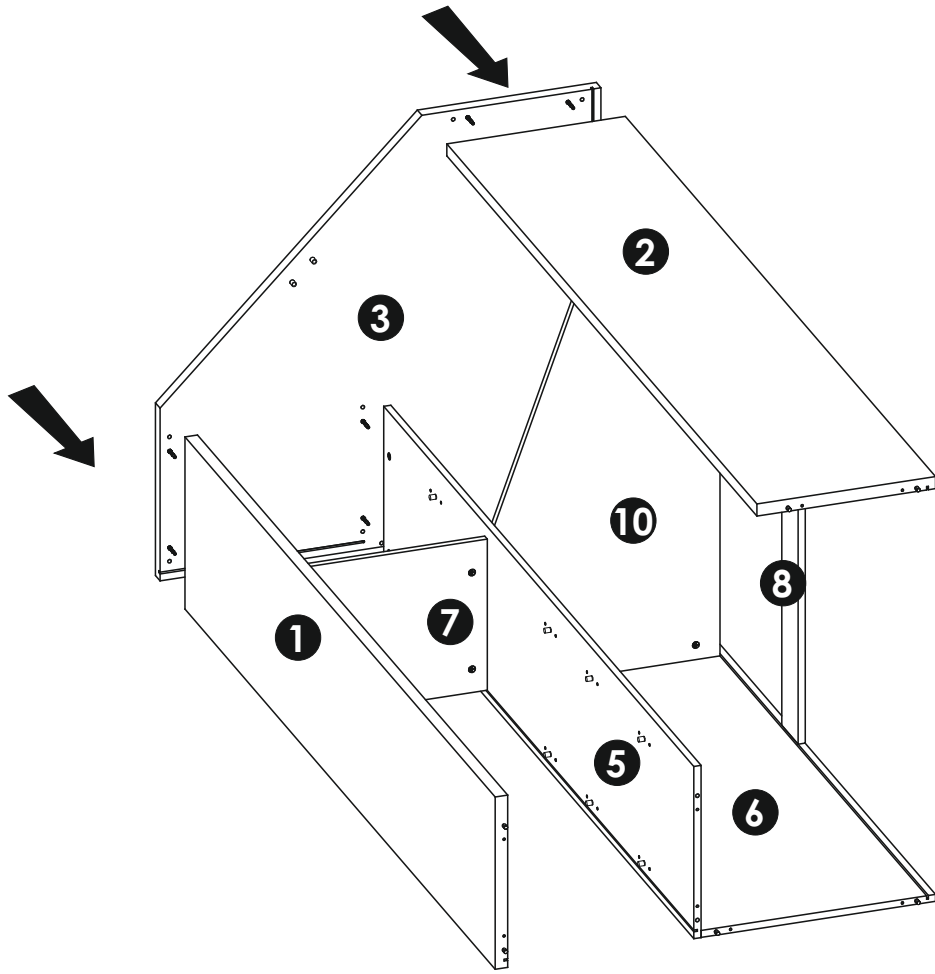
7 ▶



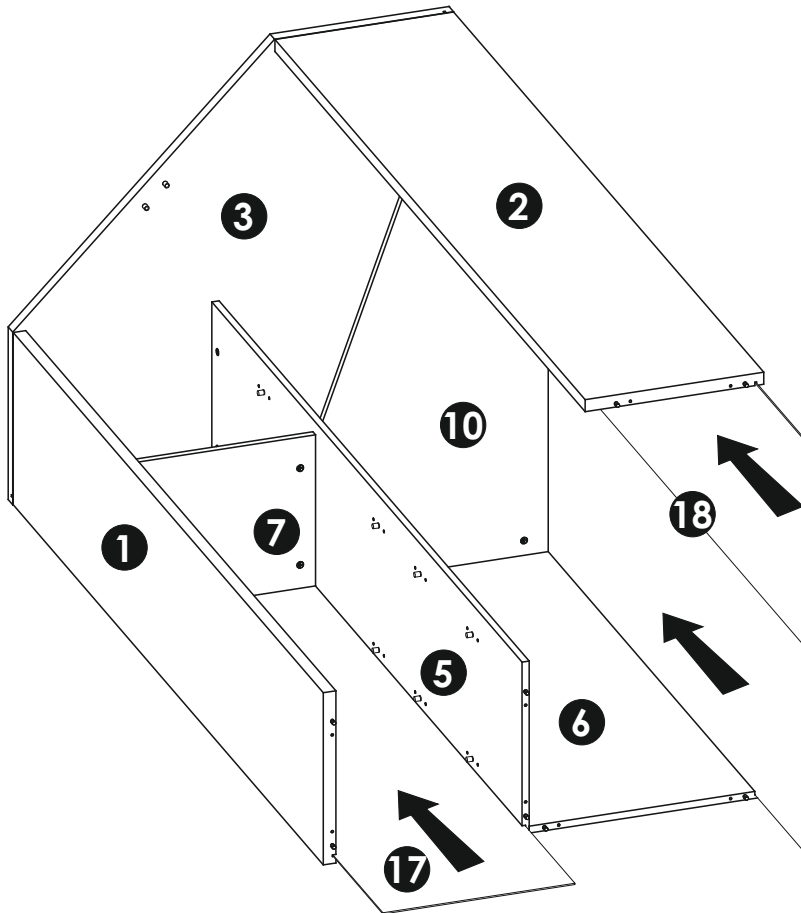
8 ▶



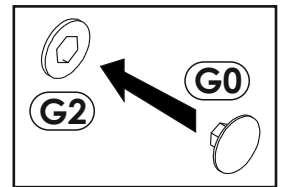
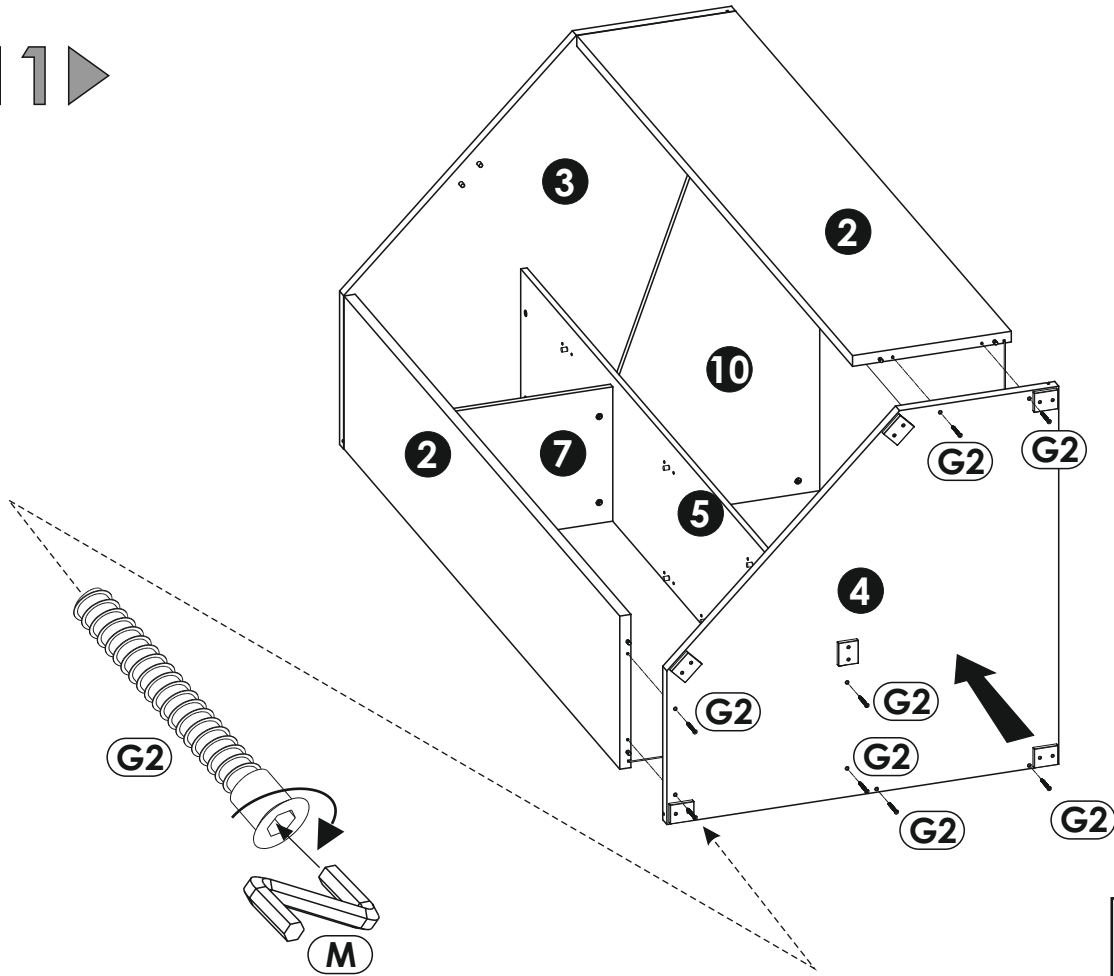
9 ▶



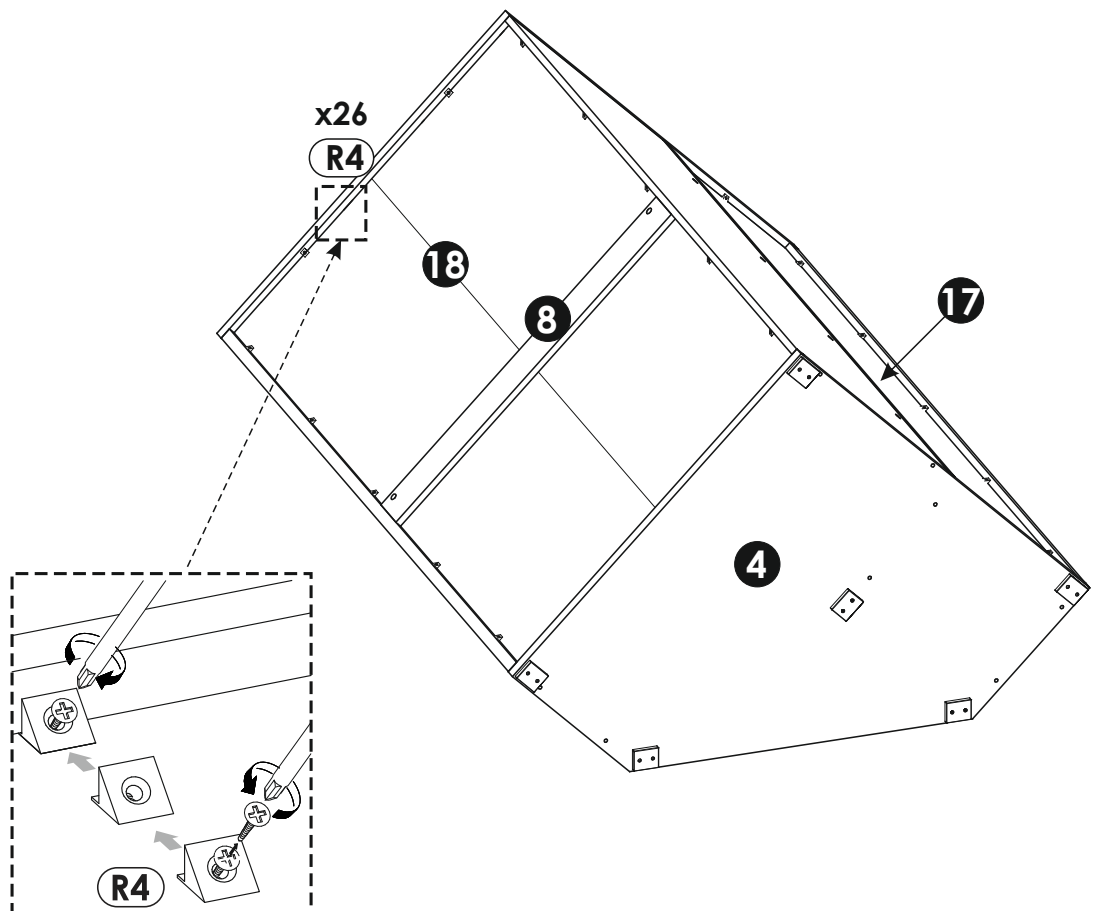
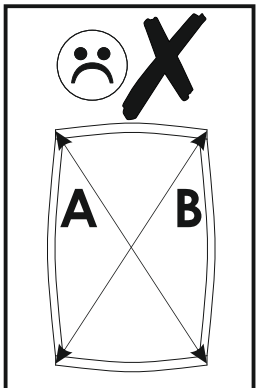
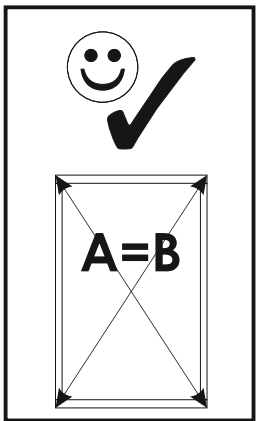
10 ▶



11 ▶



12 ▶



13 ▶

