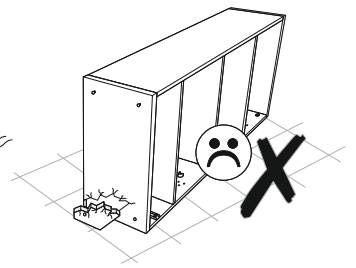
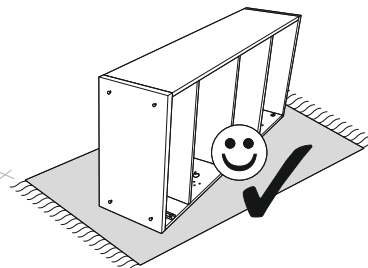
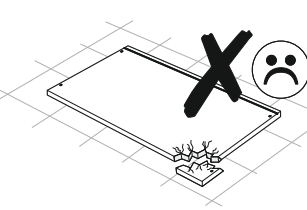
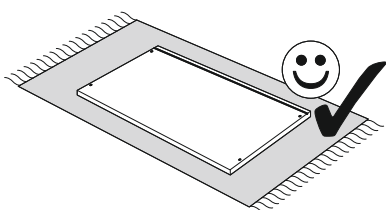
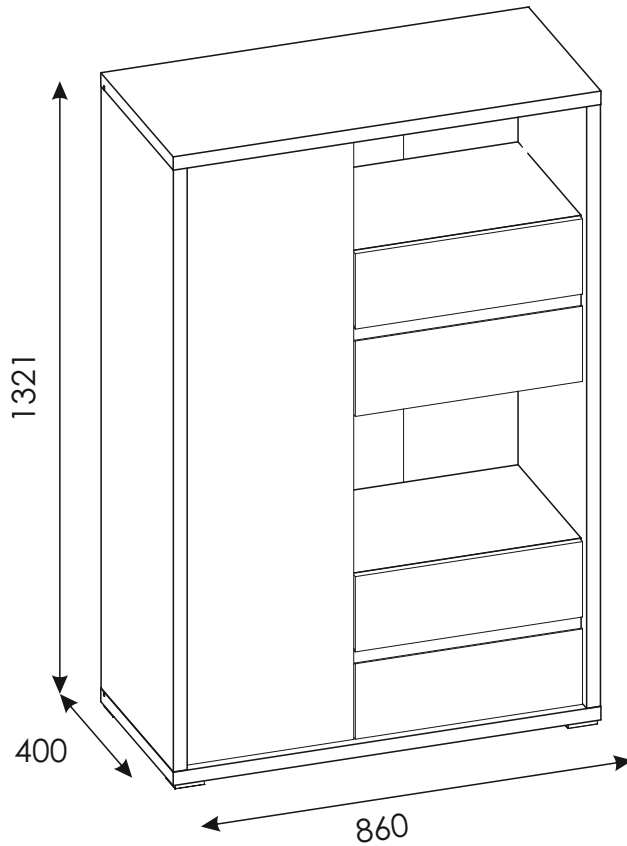
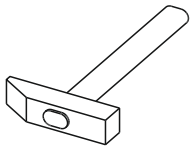
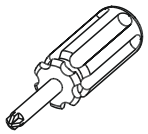
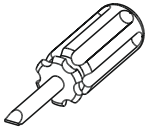
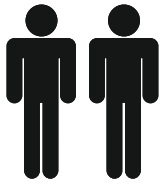
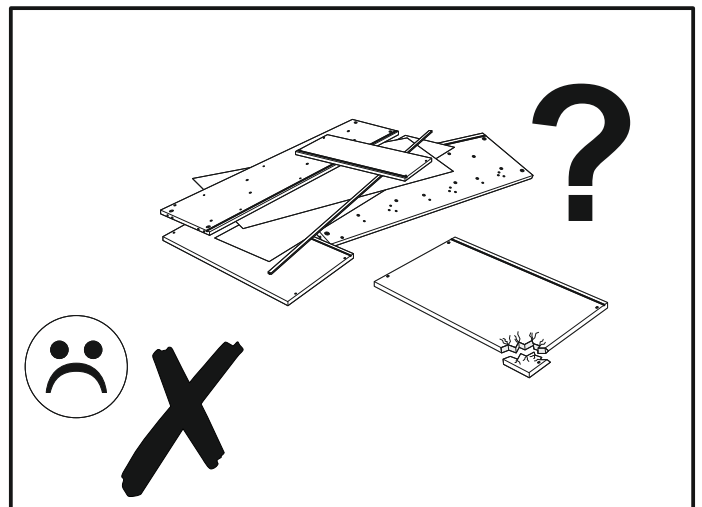
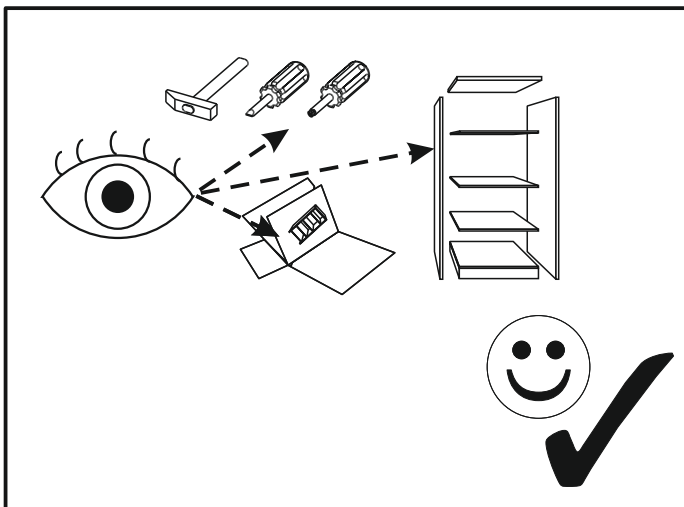
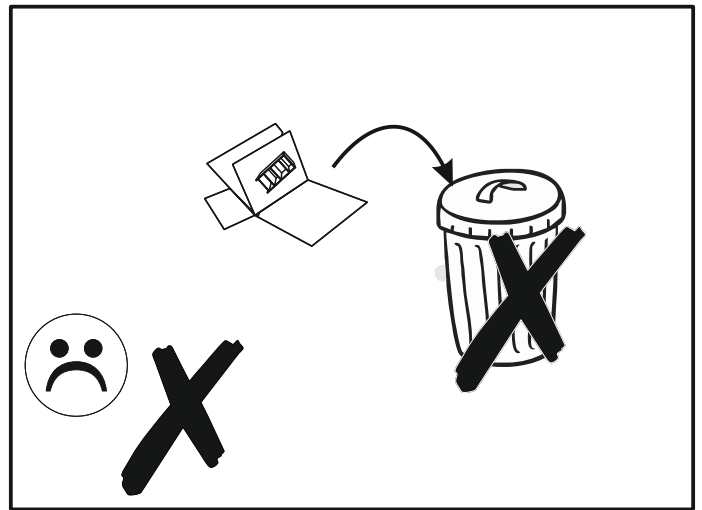
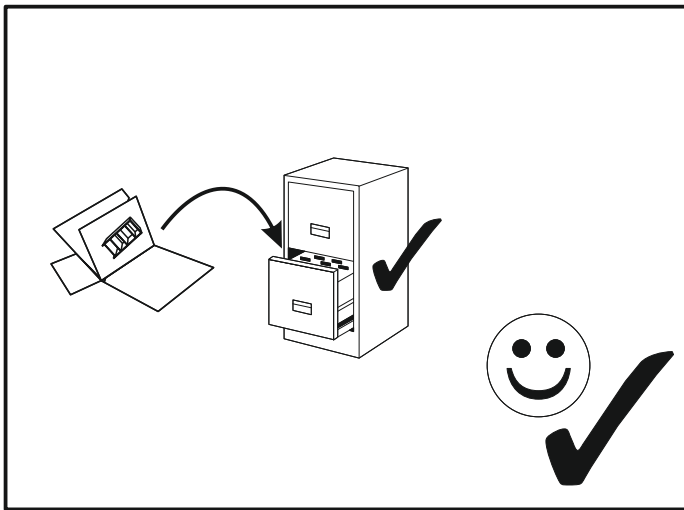
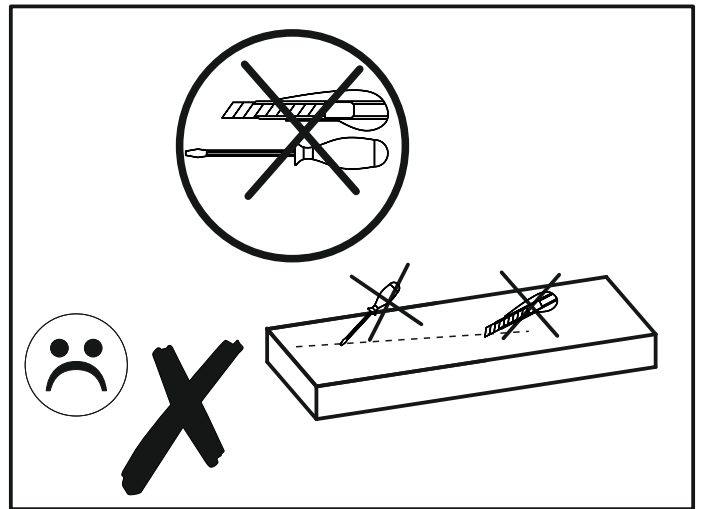
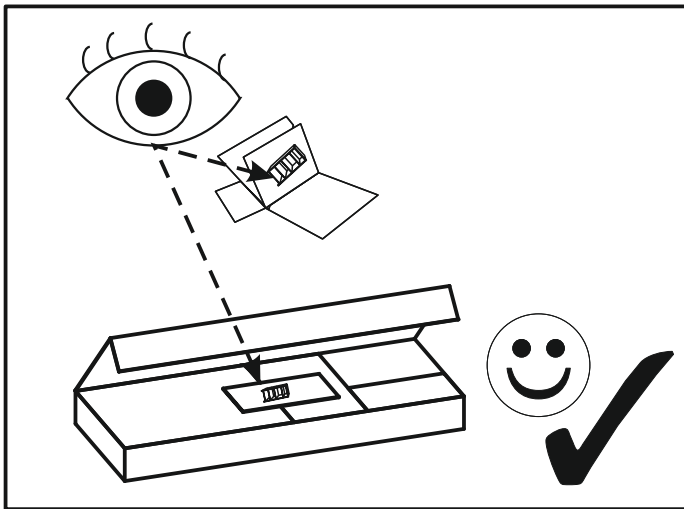


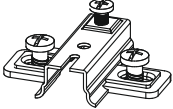






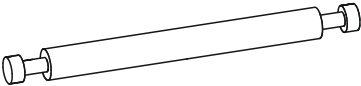

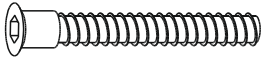



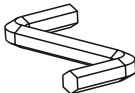


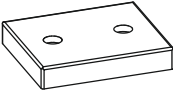




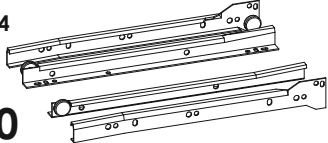
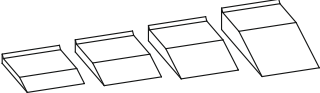
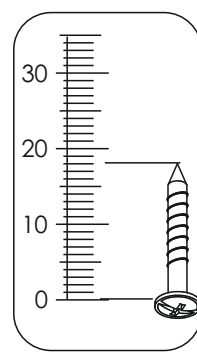
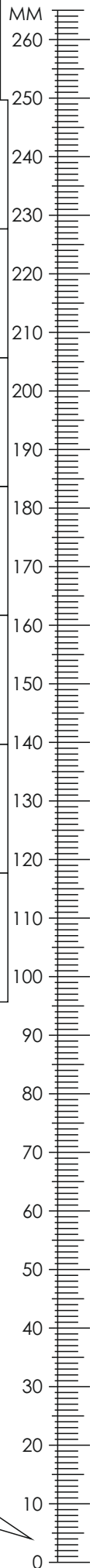


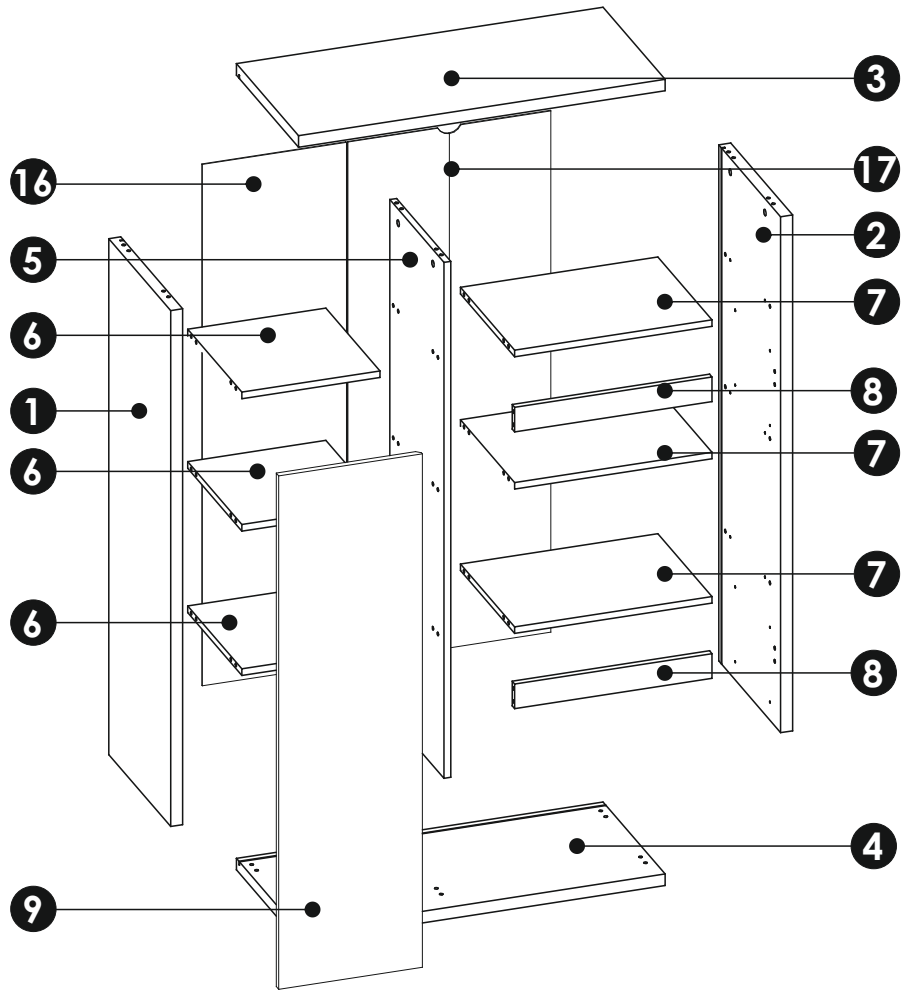
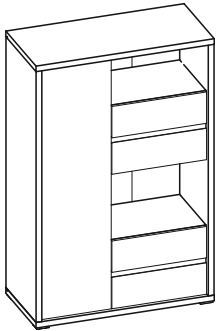
SHELDON TYP 31



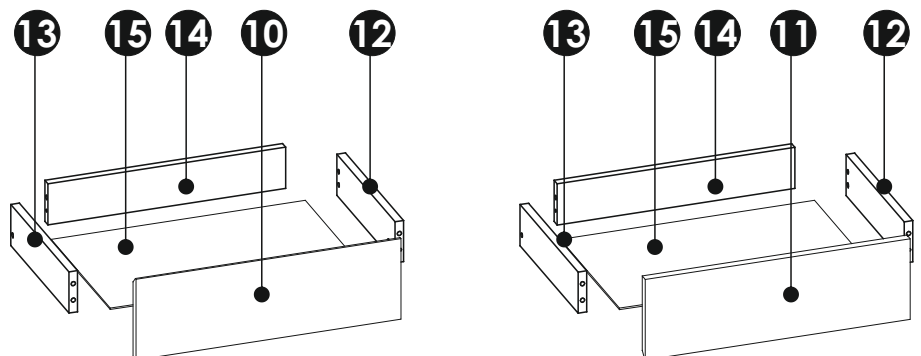


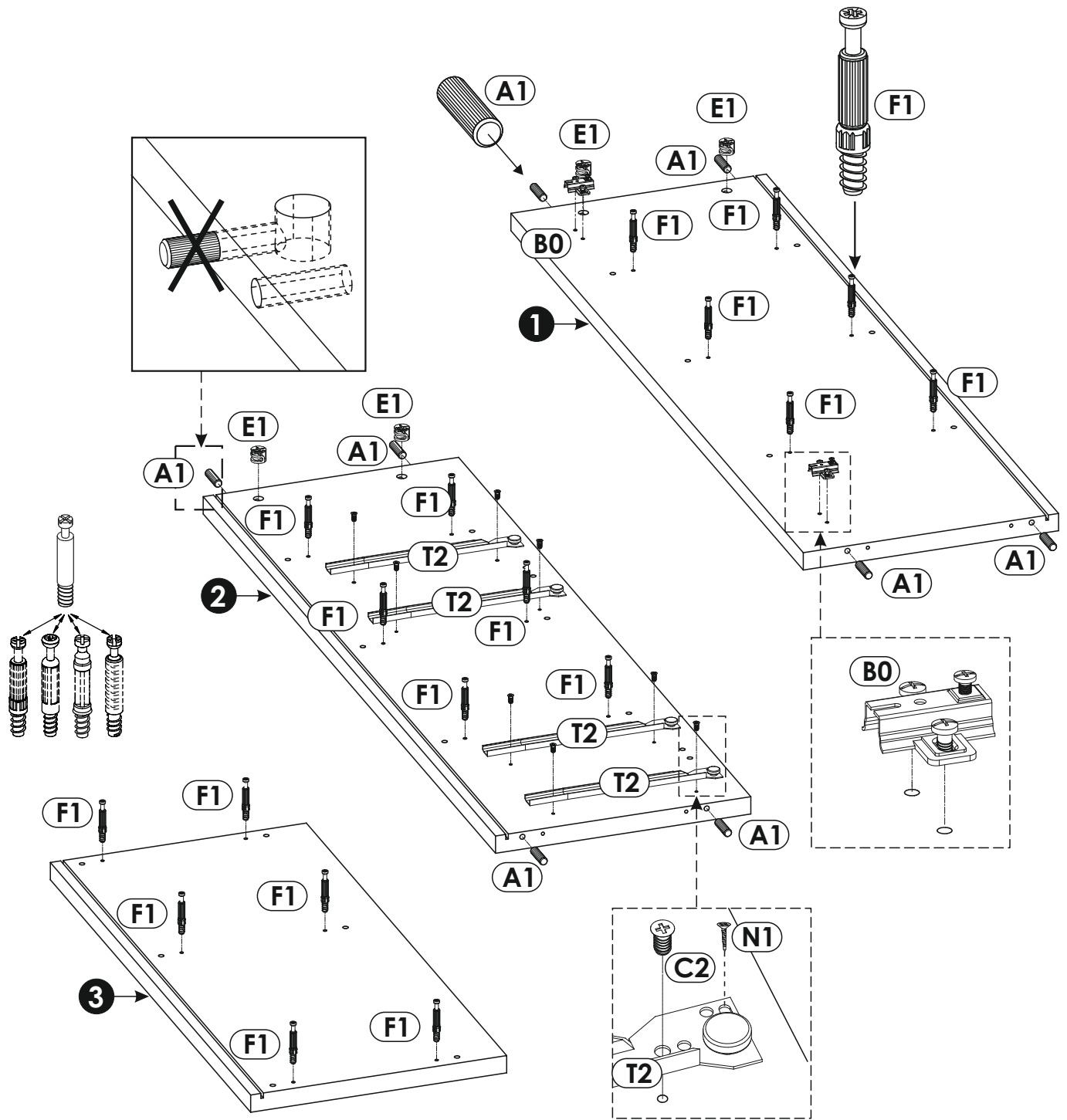
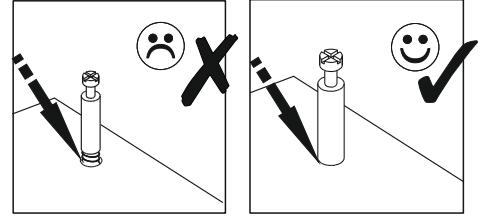
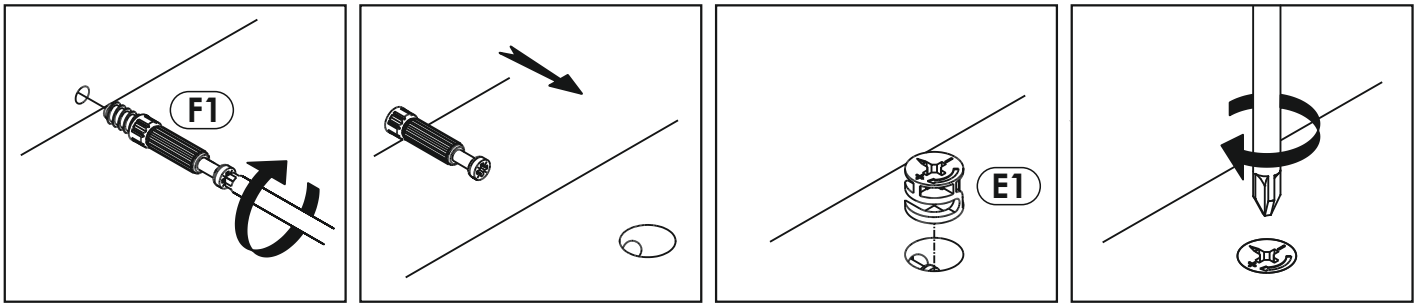
A1 x48 $\varnothing 8 \times 35$ mm 	A3 x 6 $\varnothing 8 \times 60$ mm 	B0 x2 
B3 x2 	C1 x8 EURO 4 x 13mm 	C2 x16 EURO 5 x 13mm 
E0 x38 	E1 38 $\varnothing 15 \times 12$ mm 	F1 x26 
F4 x 6 $\varnothing 7 \times 82$ mm 	G0 x14 	G1 x8 $\varnothing 7 \times 50$ mm 
G2 x6 $\varnothing 7 \times 60$ mm 	I2 x1 4 x 16mm 	J1 x24 US 3 x 20mm 
M x1 	N1 x40 US 3 x 16mm 	N2 x10 US 3,5 x 16mm 
O15 x5 	Q9 x1 	R1 x 8 
R4 x14 	R8 x10 	
T2 x4 L-300 	Z x1 	



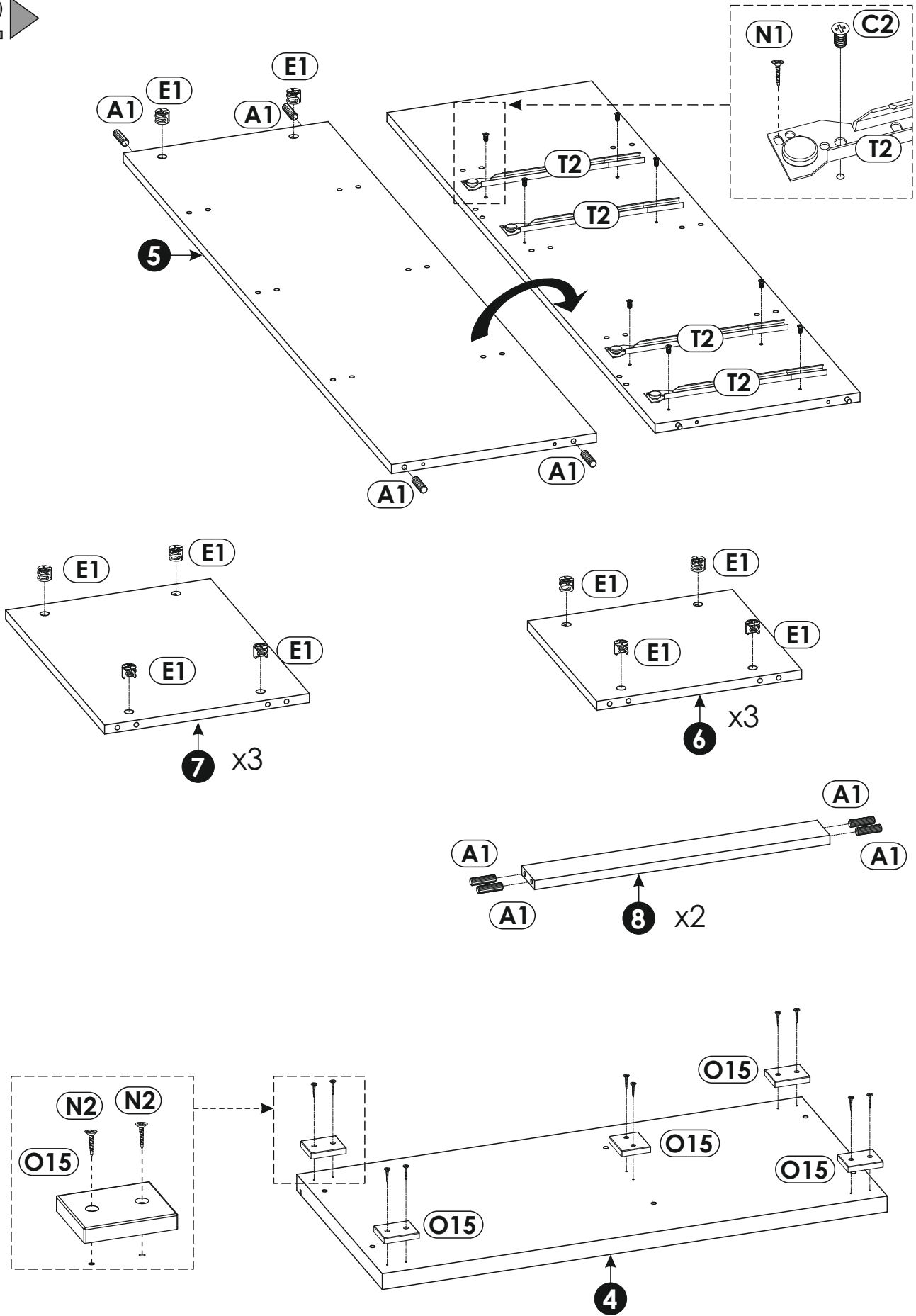


1	1255	399	28	x1	2/2
2	1255	399	28	x1	2/2
3	860	400	28	x1	1/2
4	860	400	28	x1	1/2
5	1255	349	16	x1	2/2
6	324	349	16	x3	1/2
7	463	349	16	x3	1/2
8	463	60	16	x2	1/2
9	337	1249	16	x1	2/2
10	457	157	16	x2	1/2
11	457	157	16	x2	1/2
12	330	80	16	x4	1/2
13	330	80	16	x4	1/2
14	406	80	16	x4	1/2
15	437	335	3	x4	2/2
16	1268	338	3	x1	2/2
17	1268	476	3	x1	2/2

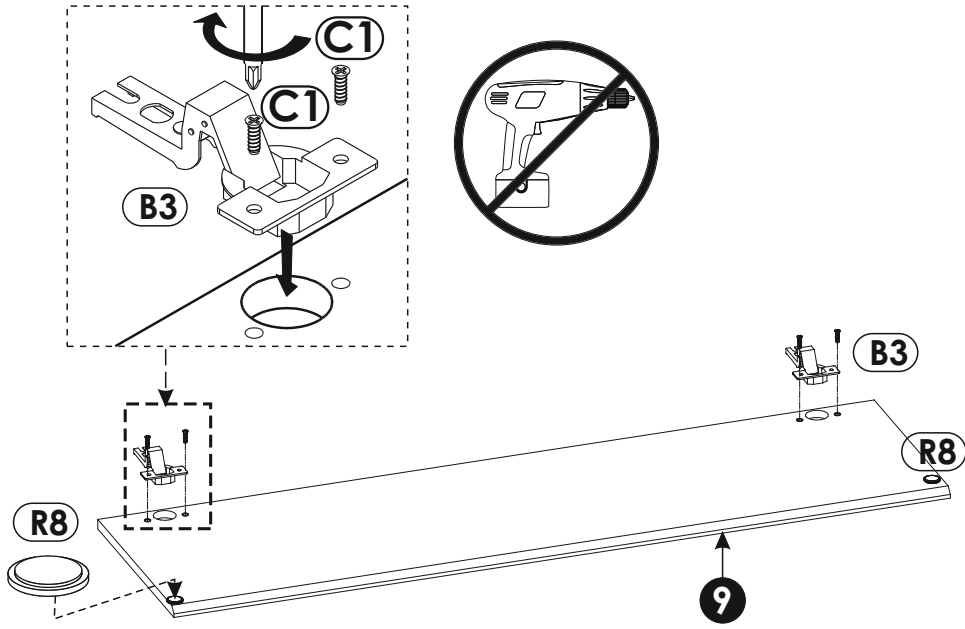




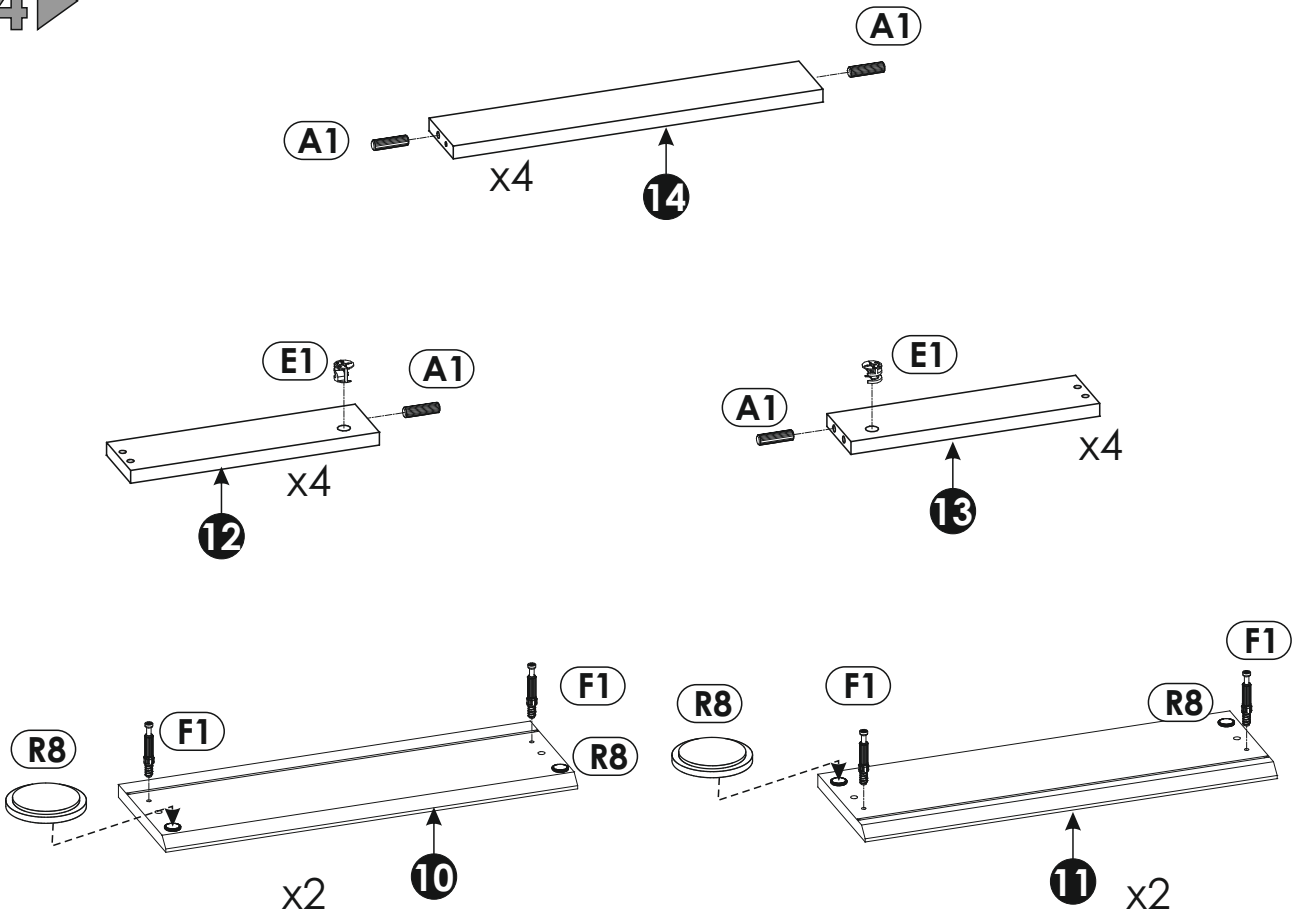
2 ▶



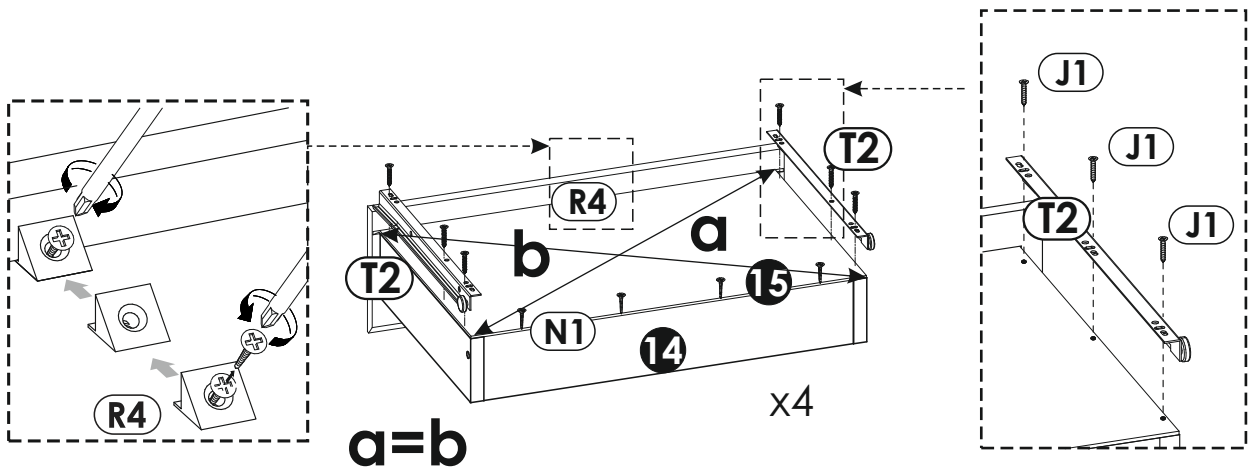
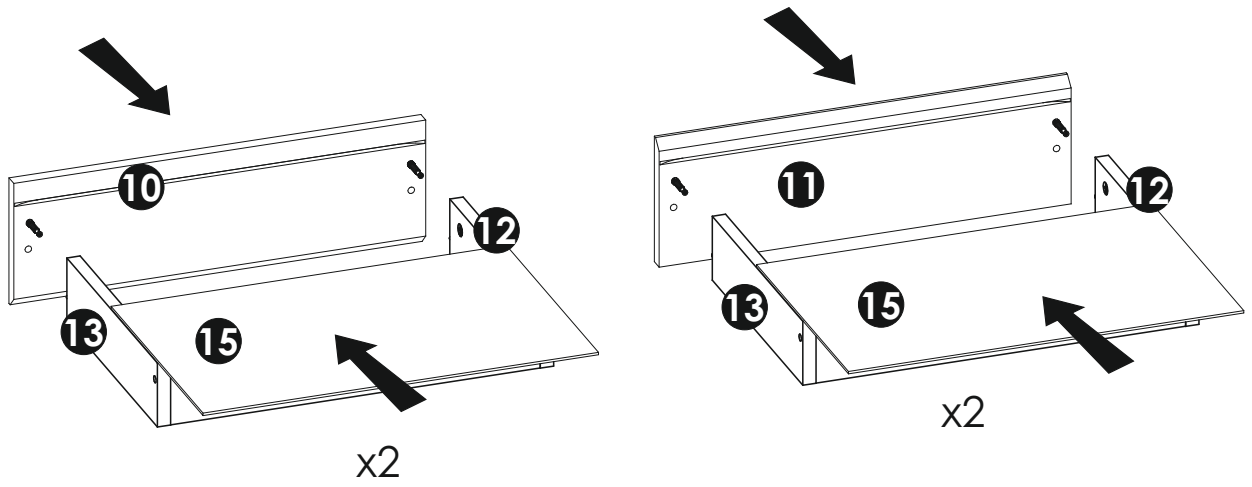
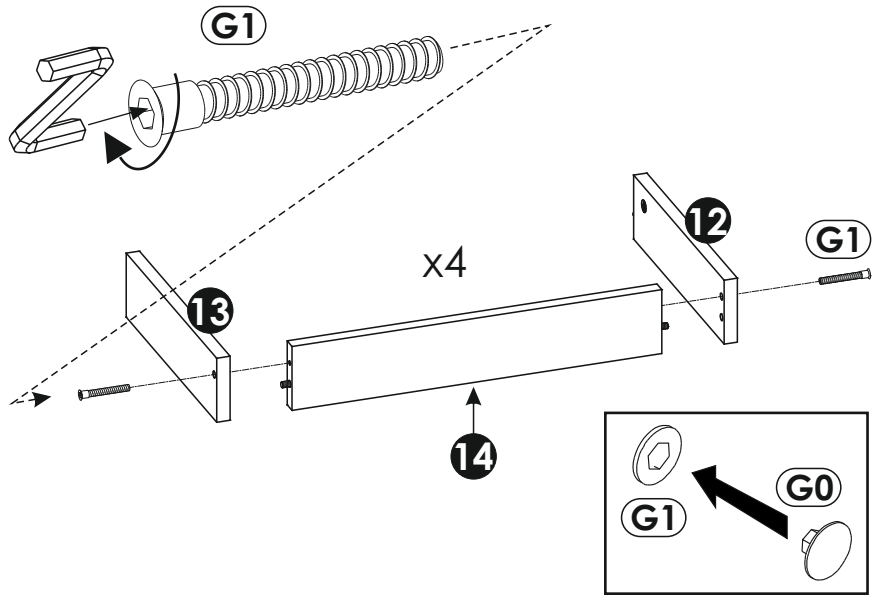
3 ▶



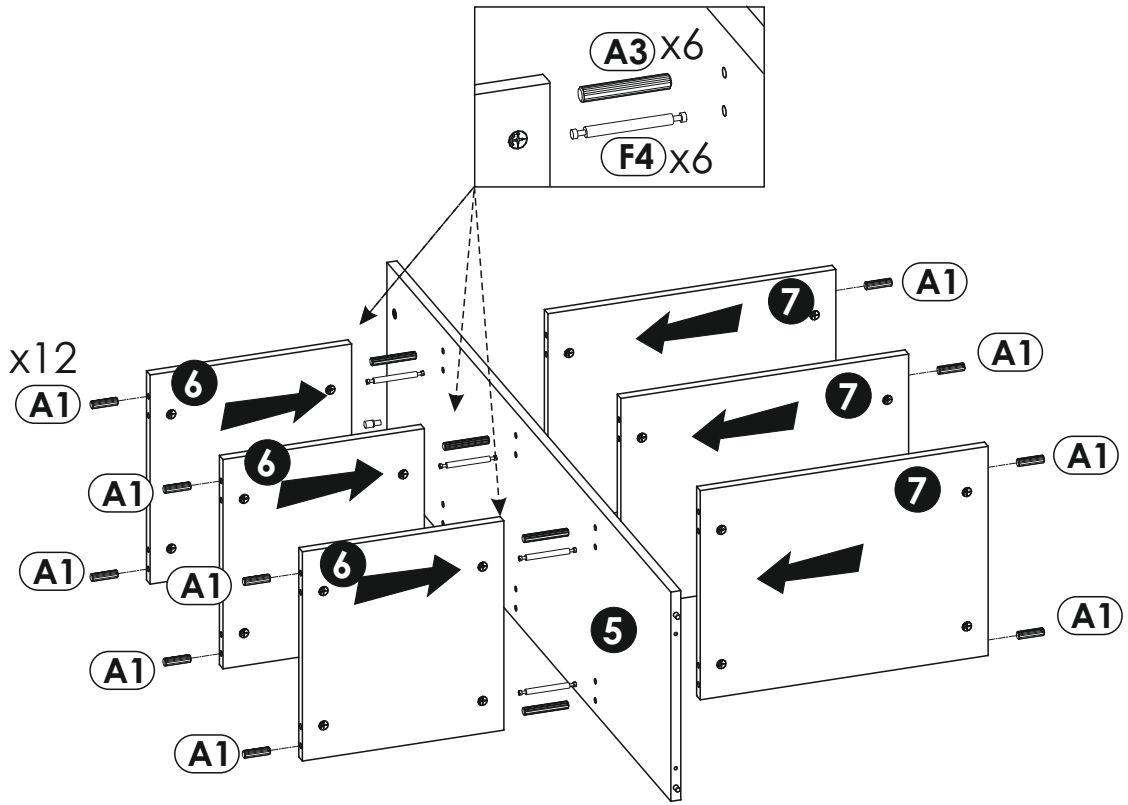
4 ▶



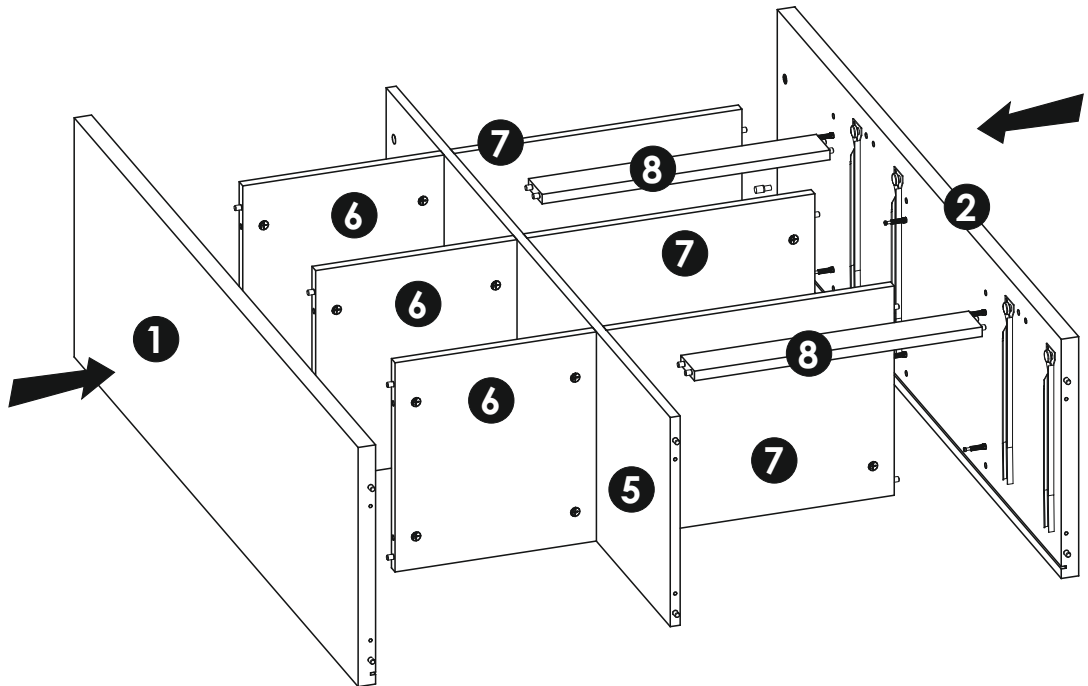
5 ▶



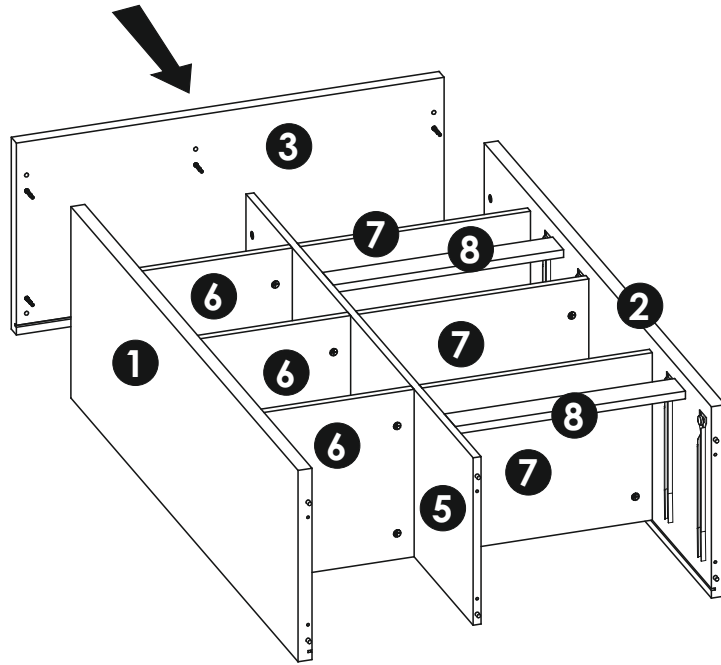
6 ▶



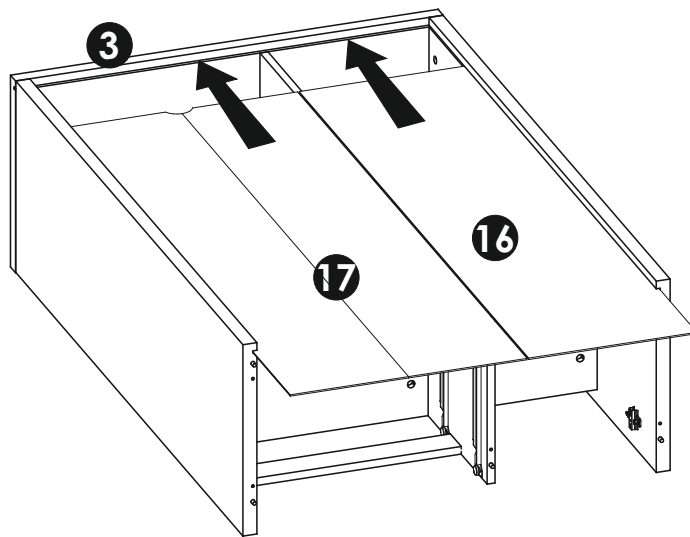
7 ▶



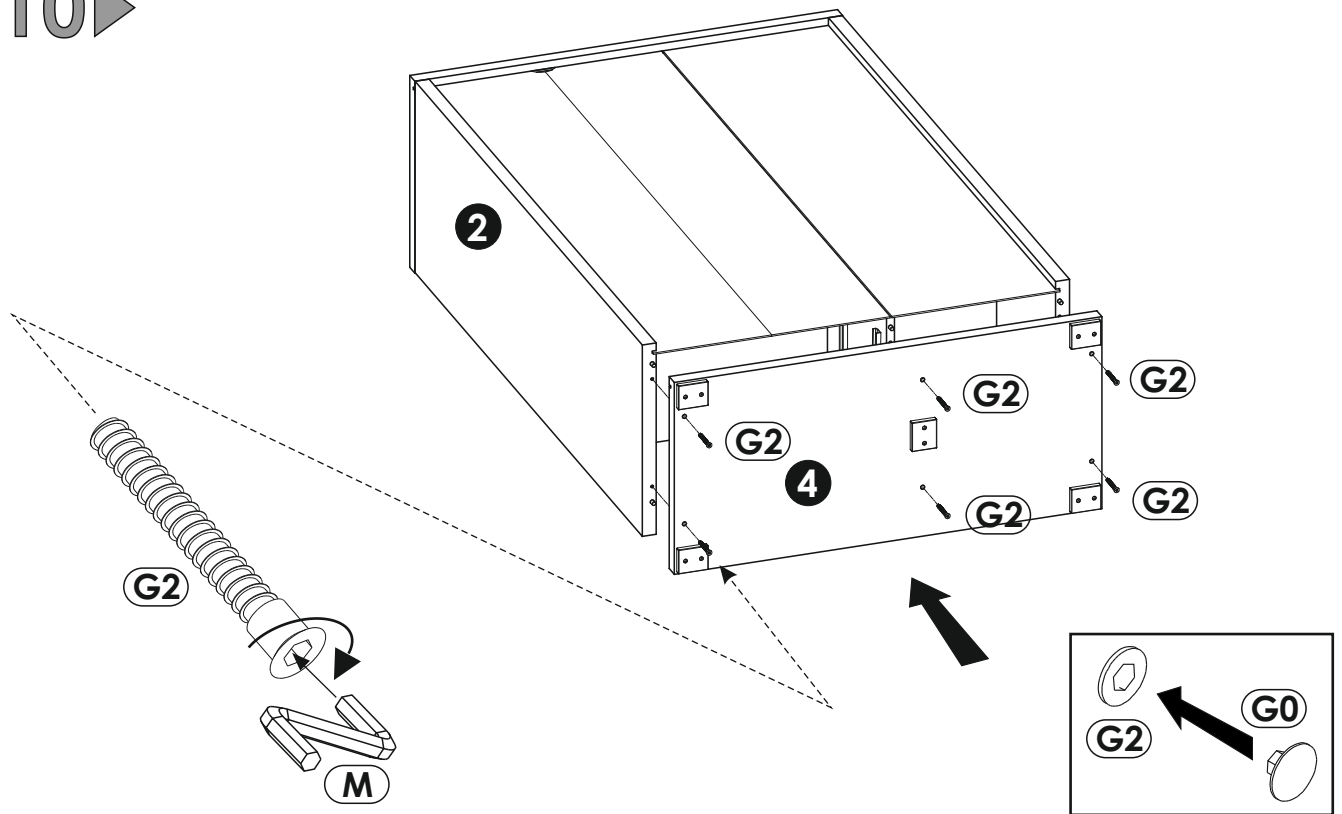
8 ▶



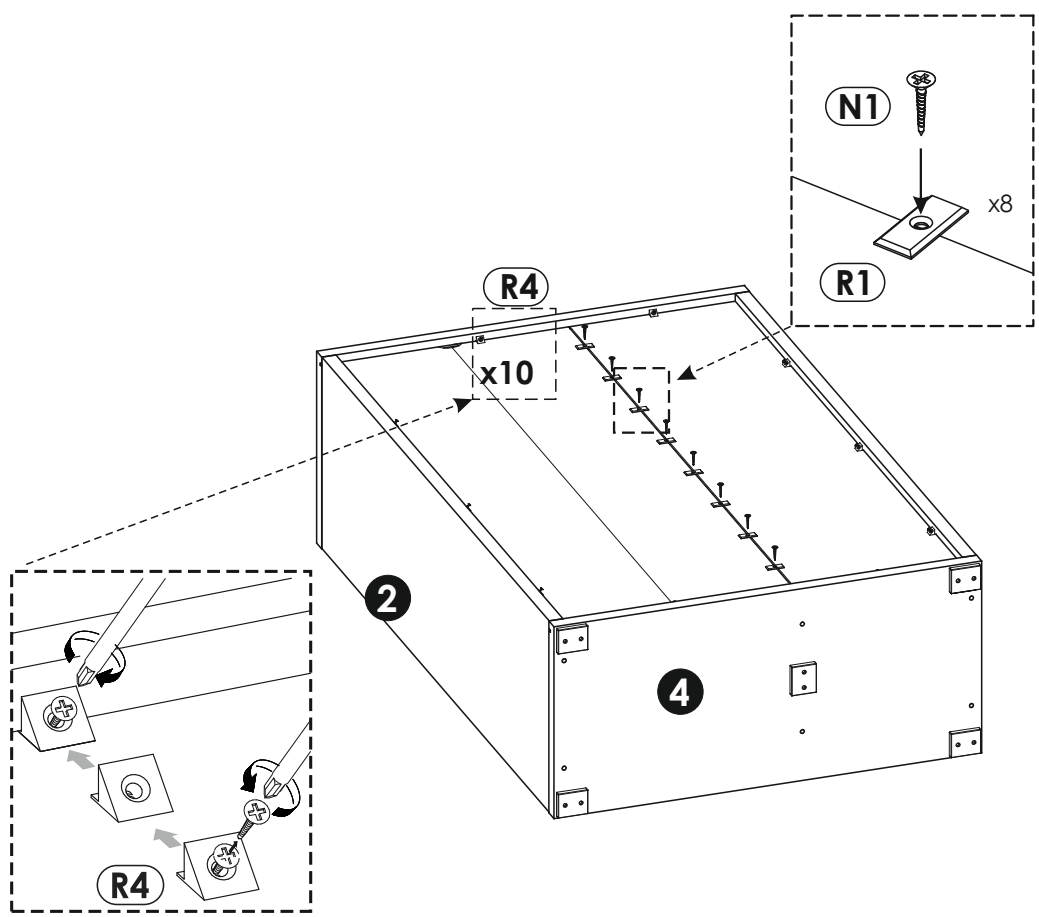
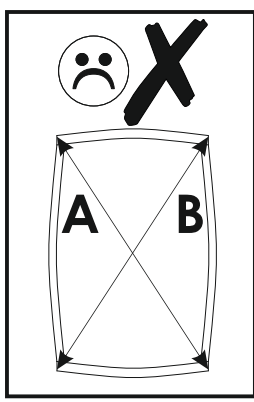
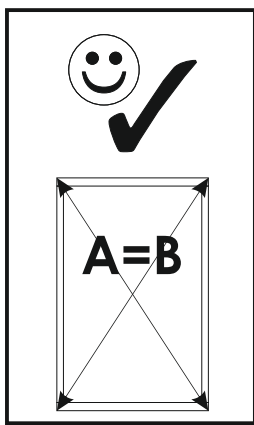
9 ▶



10 ▶



11 ▶



12▶

