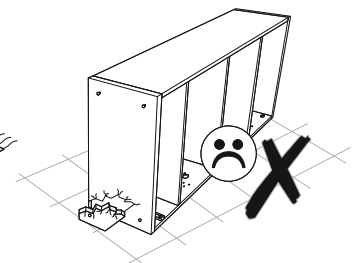
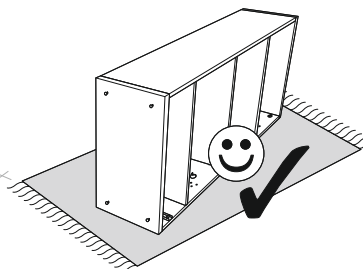
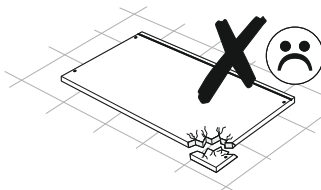
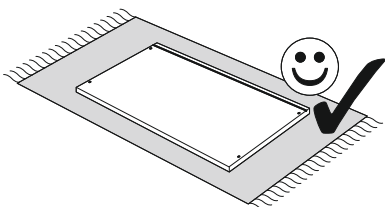
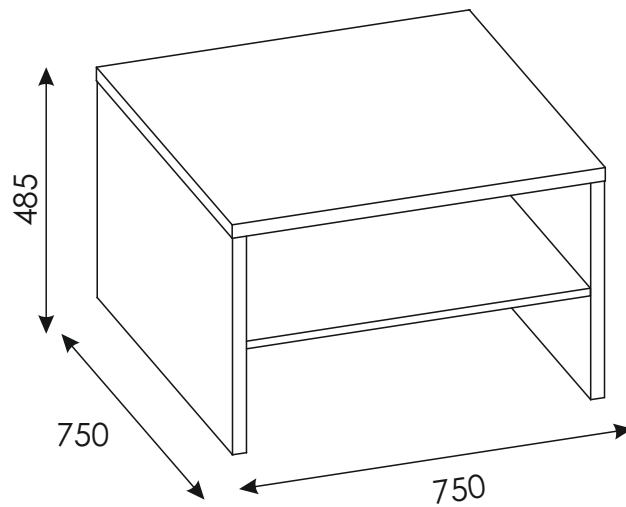
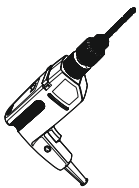
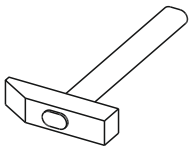
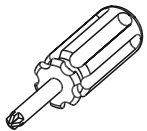
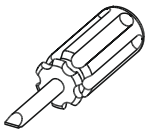
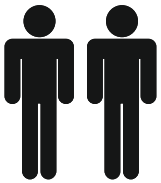
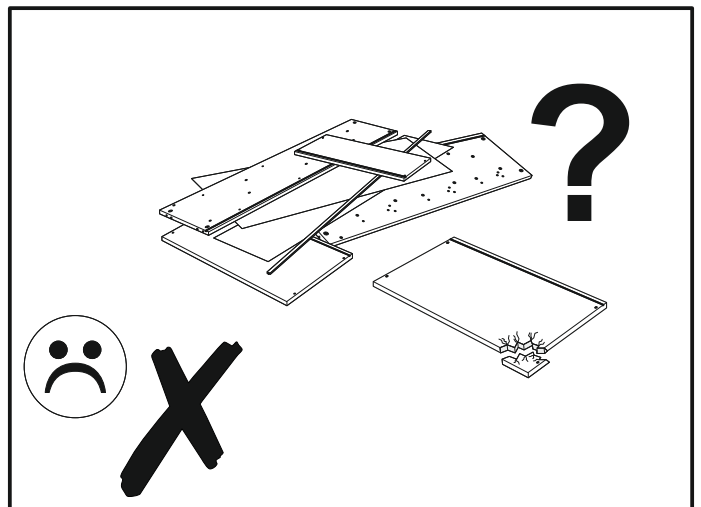
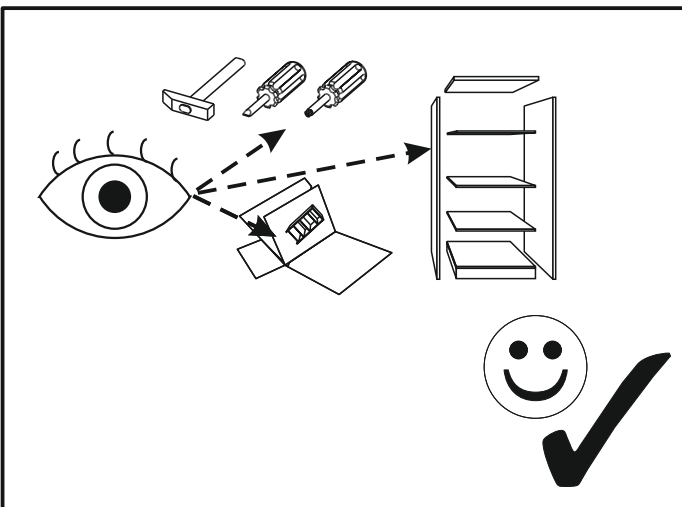
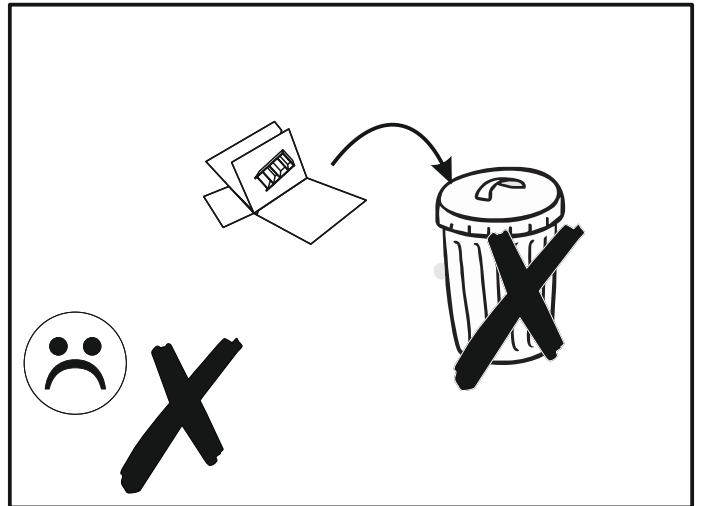
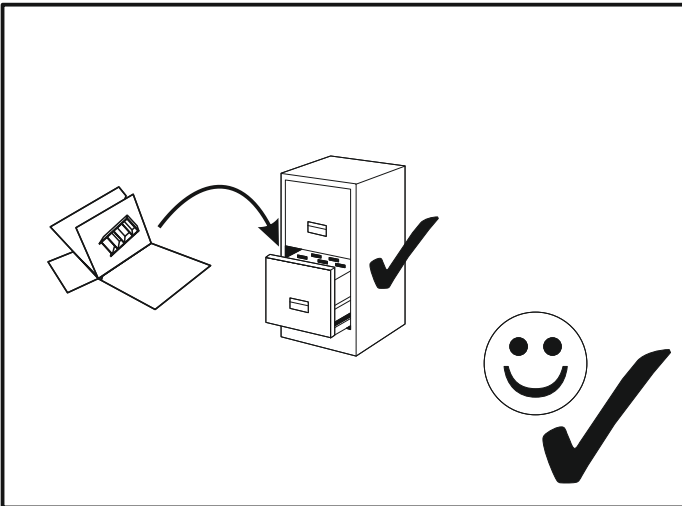
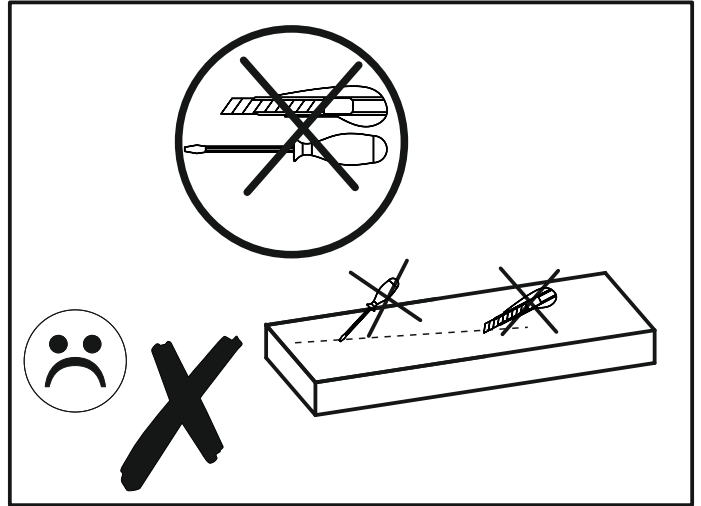
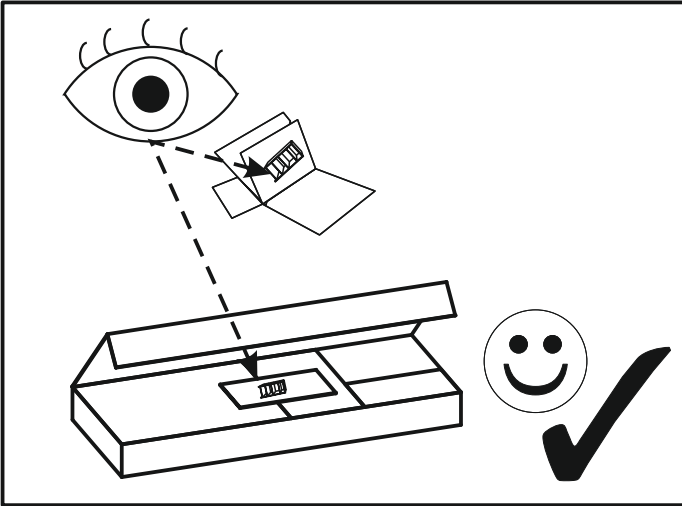



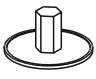


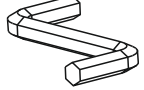
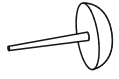
# SHELDON 71

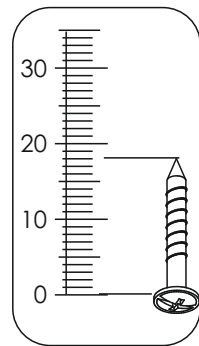
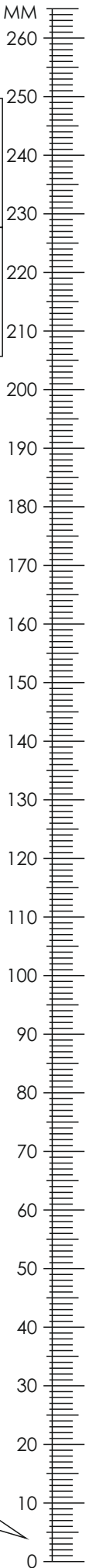


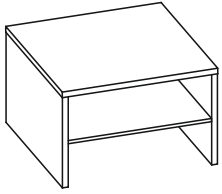
60 min



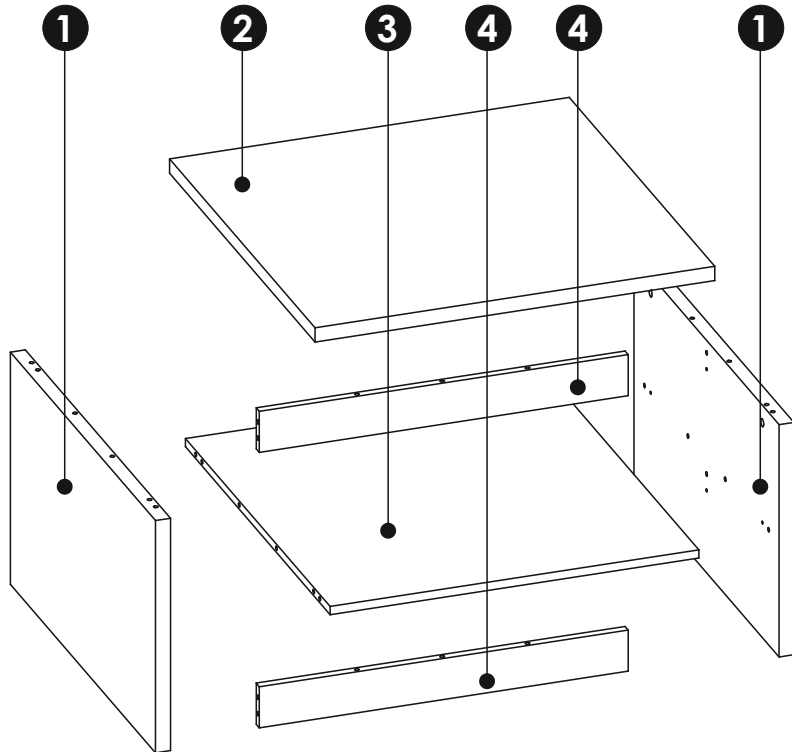


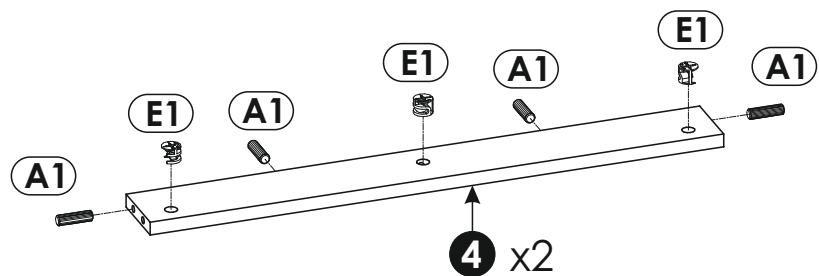
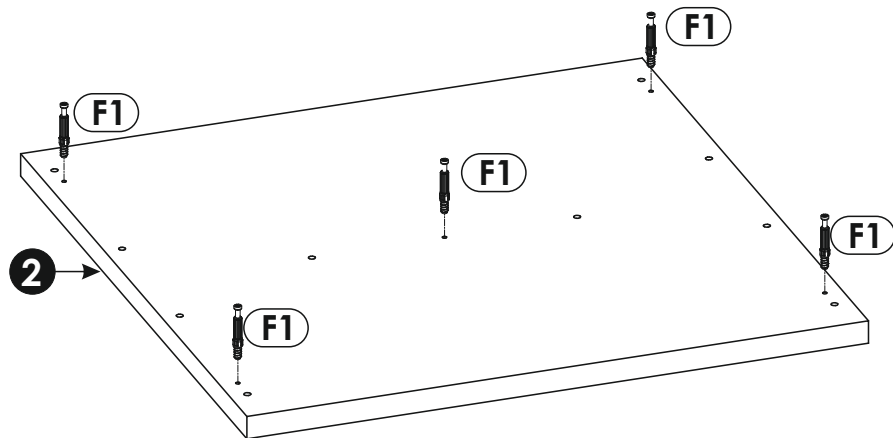
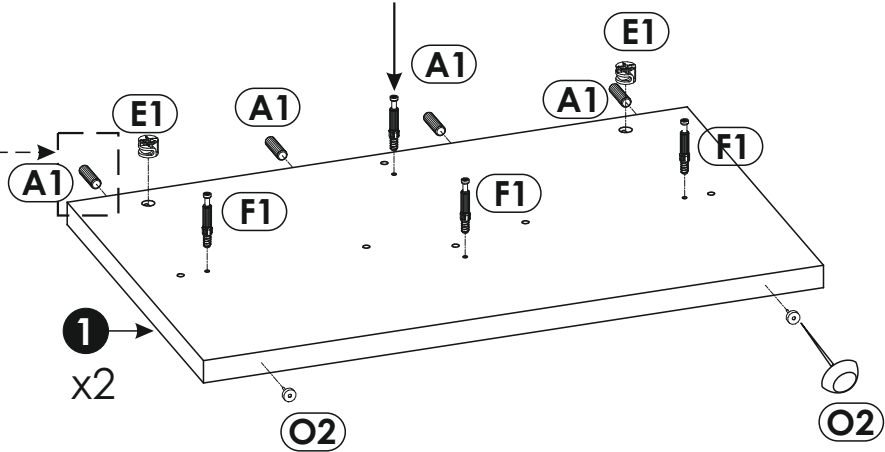
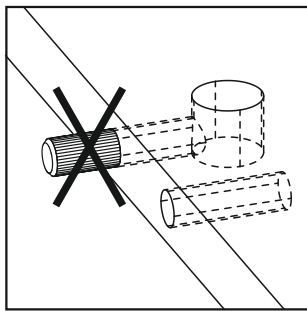
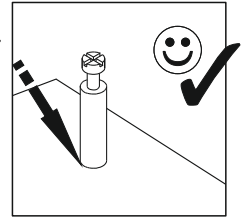
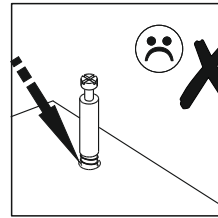
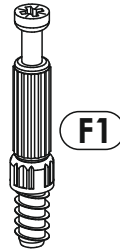
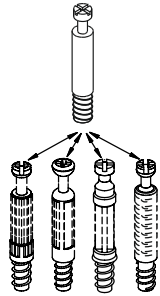
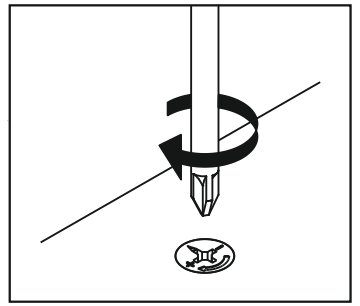
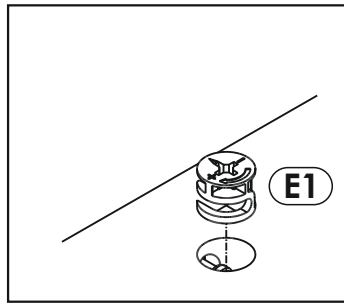
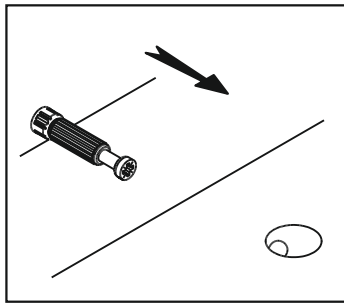
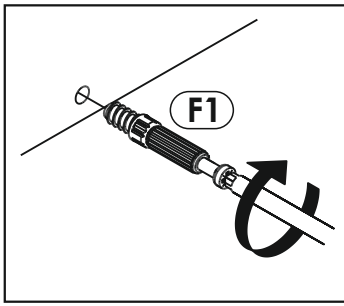
<b>A1</b> x24 $\varnothing 8 \times 35\text{mm}$ 	<b>E0</b> x14 	<b>E1</b> 14 $\varnothing 15 \times 12\text{mm}$ 
<b>F1</b> x14 	<b>M</b> x1 	<b>O2</b> x4 



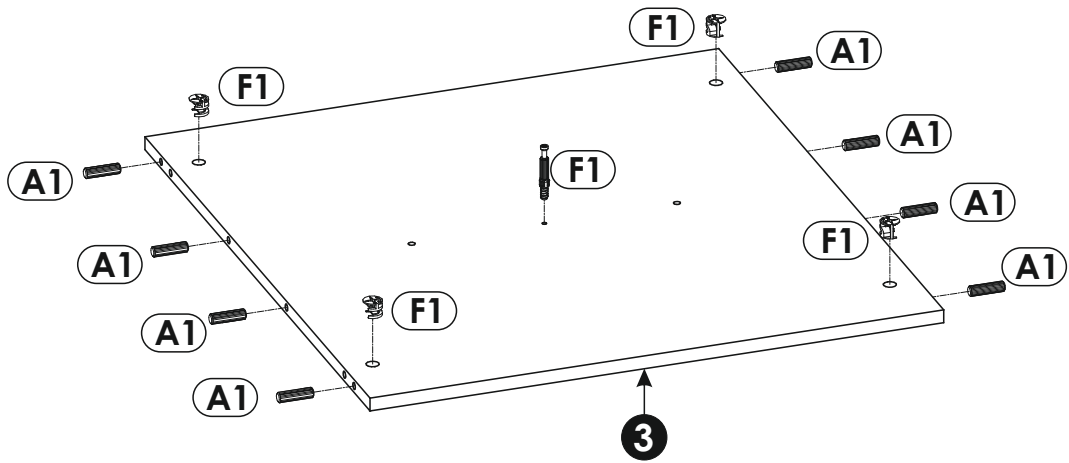


<b>1</b>	452	748	28	x2	1/1
<b>2</b>	750	750	28	x1	1/1
<b>3</b>	692	746	16	x1	1/1
<b>4</b>	692	80	16	x2	1/1

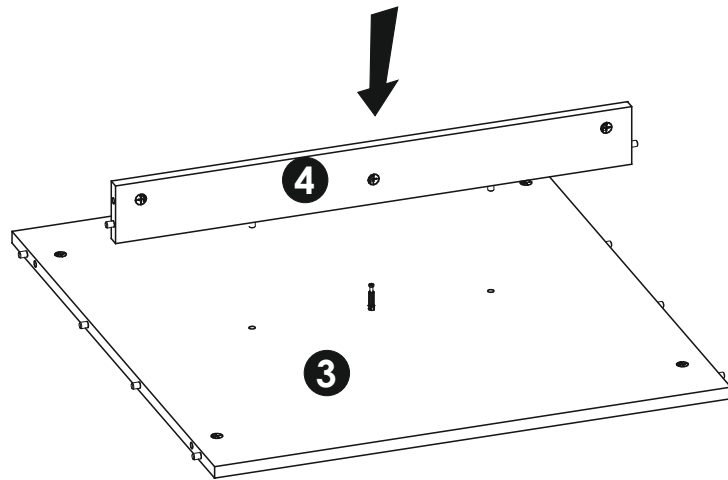




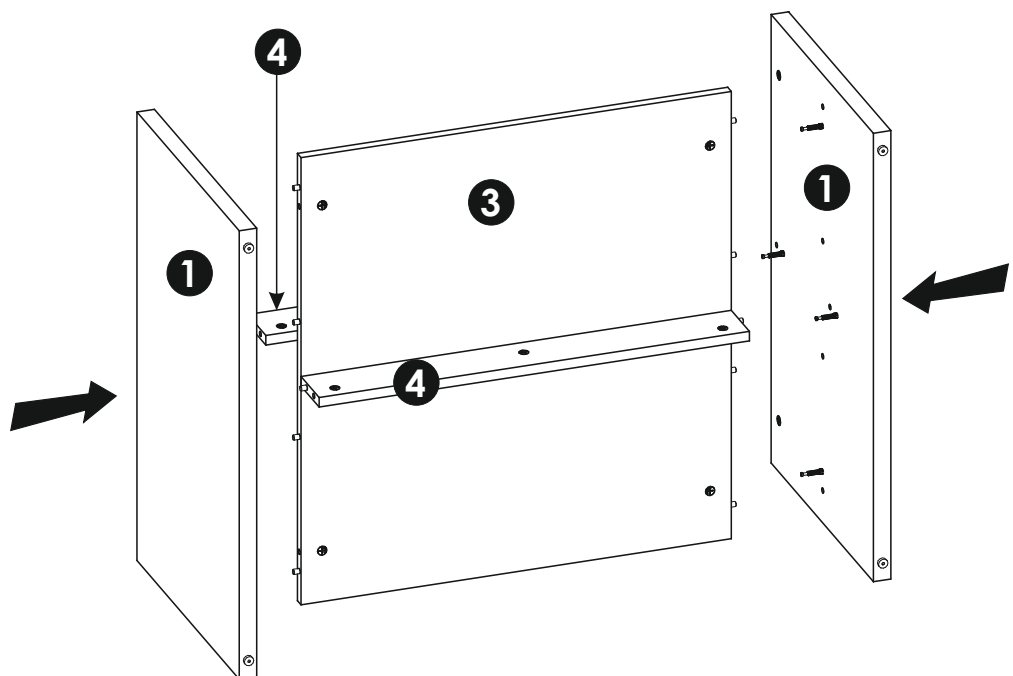
2 ▶



3 ▶



4 ▶



5 ▶

