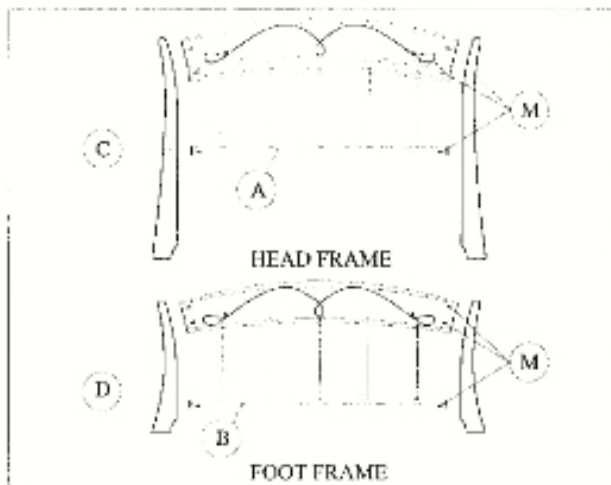
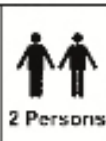


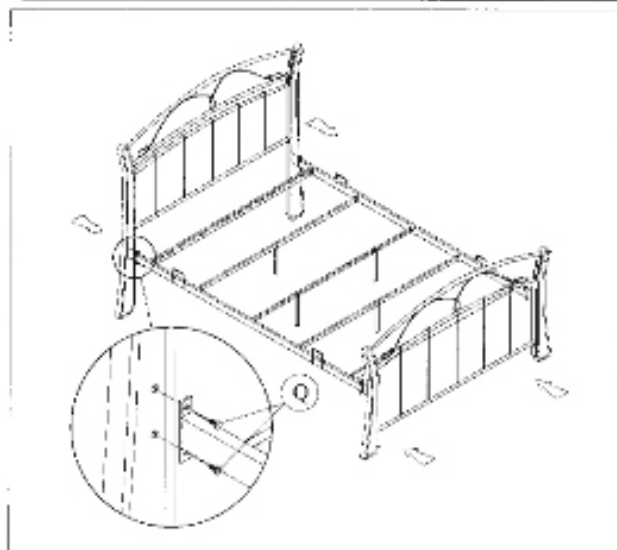
# ASSEMBLY INSTRUCTION FOR PSN 1.6-8822-UNS-KD (LOZKO ATLANTA)

**Note:**

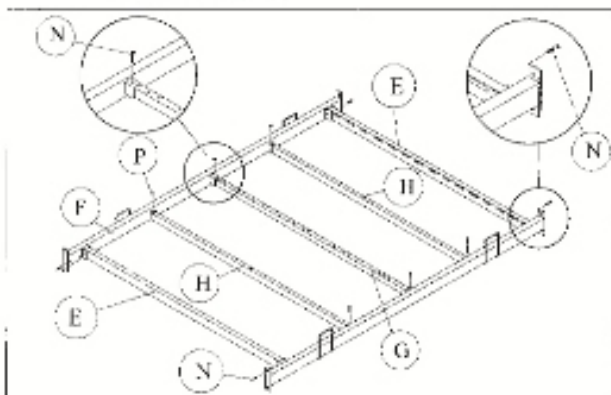
- Read manual carefully
- Carefully identify each component (specify its manufacturer)
- Separate end panels and component from the hardware provided and fasten in its proper location before fastening
- Do not over-tighten the screws or bolts when assembling



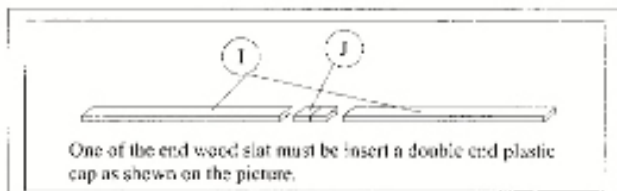
**Step 1** Assemble all parts of head frame and foot frame with hardware as shown.



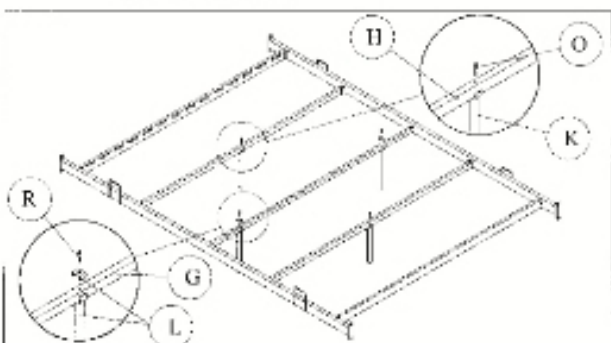
**Step 4** Assemble bed base into bed frame and tighten all bolts.



**Step 2** Fix both side rails F and cross bar G with bolt N as above diagram. Put cross bar H into side rail and fix in bolt P. After that put end cross bar E to the end of side rail and tighten with bolt N.













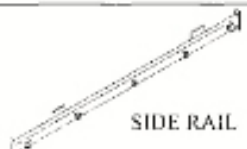

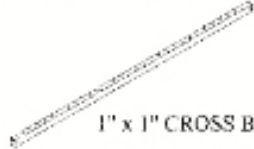






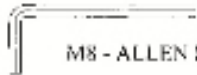
**Step 5** Once wood slats have been inserted into the plastic caps, fix one end of wood slat into the hole of end cross bar E and the other end to the other end cross bar. After that fix the plastic cap to the center cross bar by pressing it accordingly to the default holes. Ensure the plastic cap's pin aimed to the hole.



**Step 3** Fix bed support legs as shown on the picture.

**Please follow our Assembly Instruction procedure for easier assemble.**

## HARDWARE & PART LIST FOR PSN 1.6-8822-UNS-KD (LOZKO ATLANTA)

NO	ITEM	QTY	NO	ITEM	QTY
A	 HEAD FRAME	1 pc	J	 Double end plastic cap	14 pcs
B	 FOOT FRAME	1 pc	K	 SHORT SUPPORT LEG	2 pcs
C	 HEAD LEG	2 pcs	L	 LONG SUPPORT LEG	2 pcs
D	 FOOT LEG	2 pcs	M	 M6 x 20mm	12 pcs
E	 1" x 2" CROSS BAR	2 pcs	N	 M6 x 40mm (assembled)	6 pcs
F	 SIDE RAIL	2 pcs	O	 M6 x 45mm (assembled)	2 pcs
G	 1" x 1" CROSS BAR	1 pc	P	 M6 x 50mm (assembled)	4 pcs
H	 3/4" x 1 1/2" CROSS BAR	2 pcs	Q	 M8 x 25mm	8 pcs
I	 WOOD SLAT	28 pcs	R	 M8 x 40mm (assembled)	2 pcs
				 M6 - ALLEN KEY	1 pc
				 M8 - ALLEN KEY	1 pc