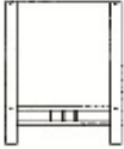








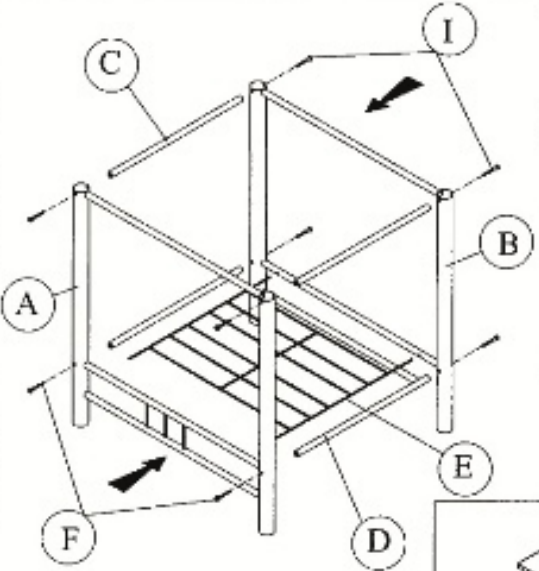


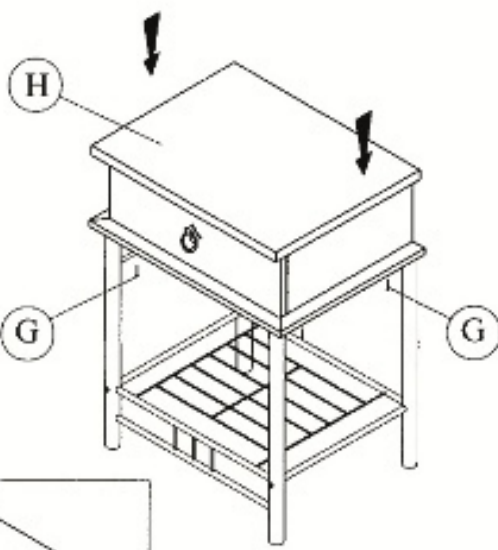
**PART LIST FOR 747-ML-STD-SW
(SZAFKA NOCNA ET - 747)**

| NO | PART | QTY | NO | PART | QTY |
|----|--|-------|----|--|--------|
| A |  FRONT FRAME | 1 pc | E |  BOTTOM TRAY | 1 pc |
| | | | F |  M6x50mm | 4 pcs |
| B |  BACK FRAME | 1 pc | G |  CHIPBOARD SCREW 30mm | 4 pcs |
| | | | H |  DRAWER | 1 unit |
| C |  TOP SIDE RAIL | 2 pcs | I |  M6x20mm | 4 pcs |
| D |  BOTTOM SIDE RAIL | 2 pcs | | | |


**ASSEMBLY INSTRUCTION FOR 747-ML-STD-SW
(SZAFKA NOCNA ET - 747)**



STEP 1
Please put all parts together in the correct position and then tie with bolts as shown.



STEP 2
After complete base unit installation, please put top unit and tie with screw as shown.



Complete Assembly

Please follow our Assembly Instruction procedure for easier assemble.