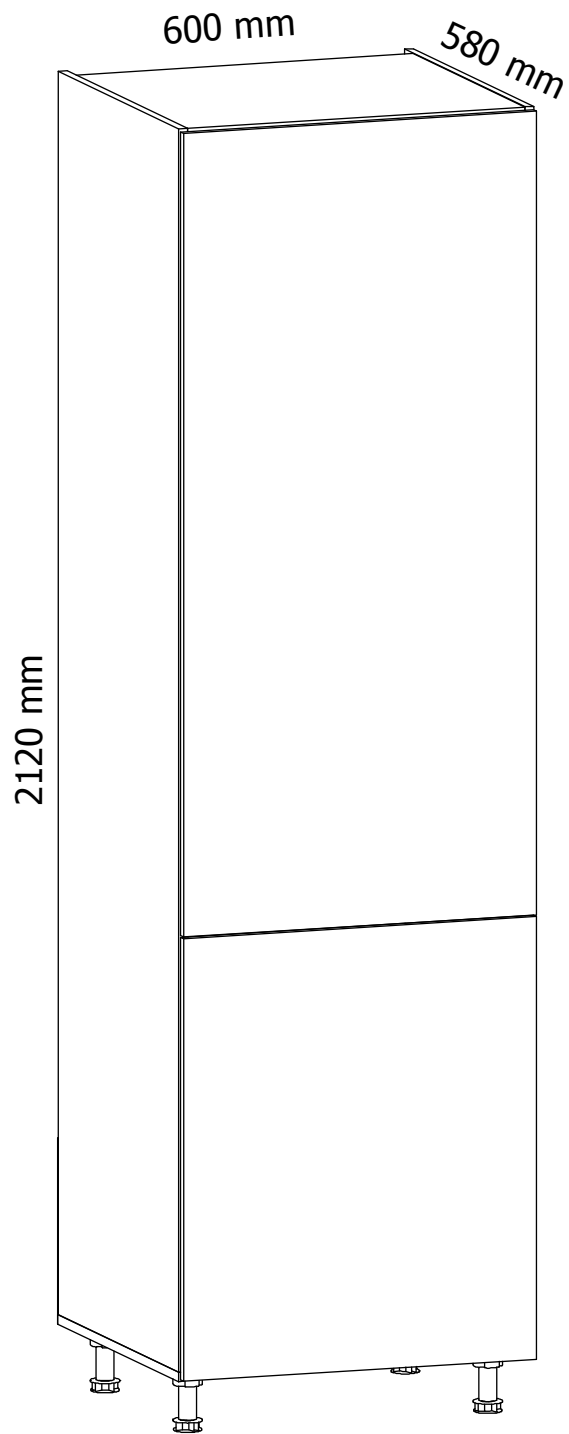
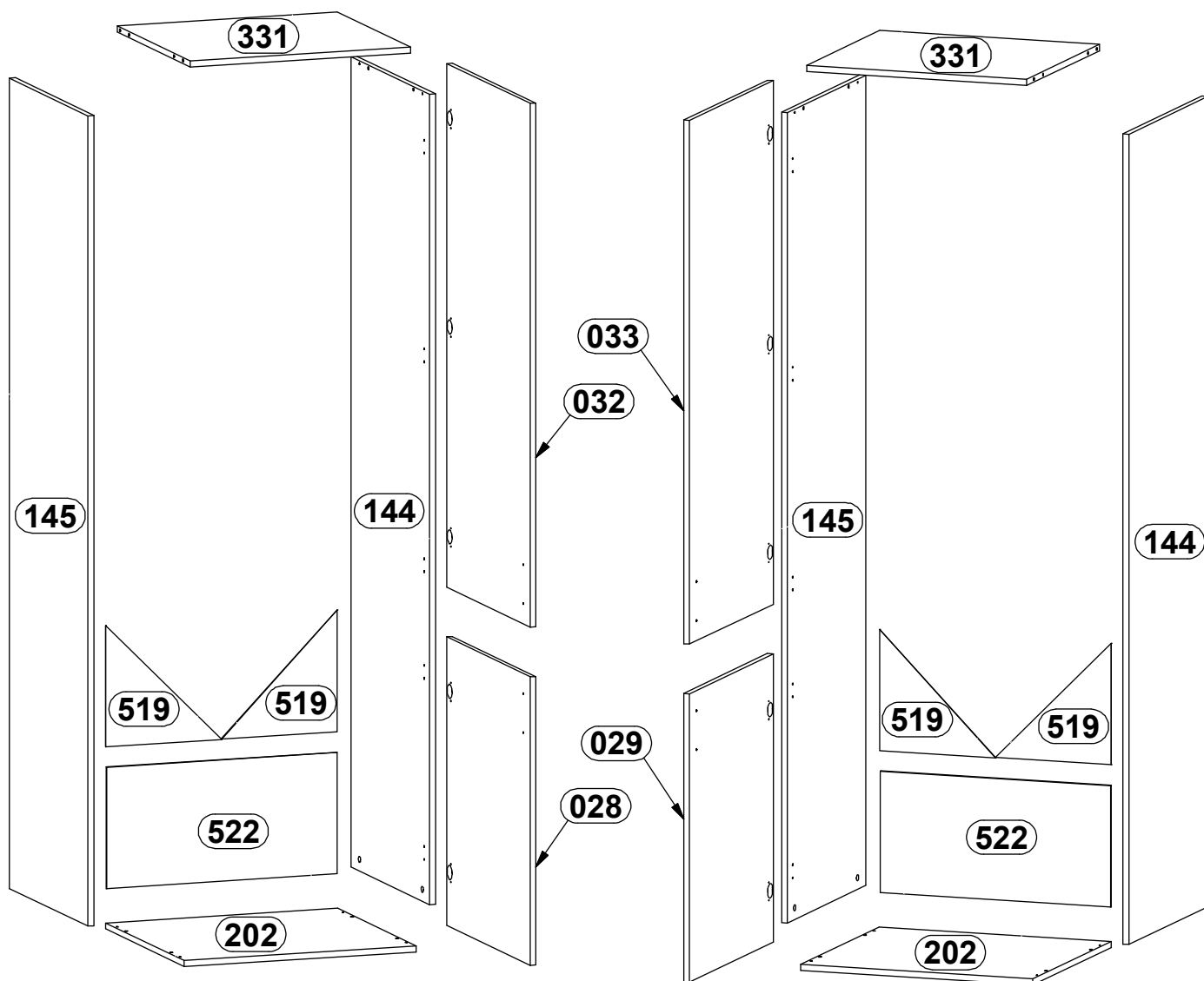
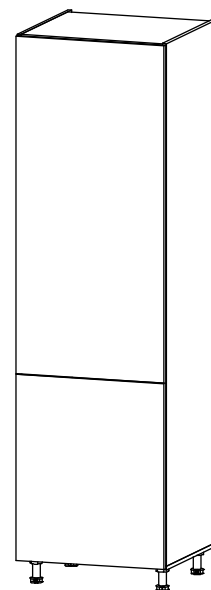
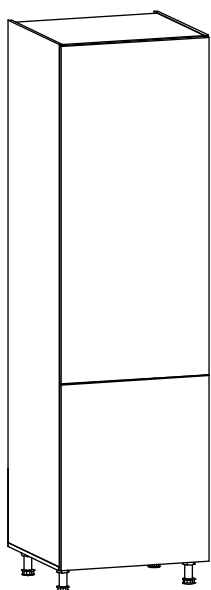
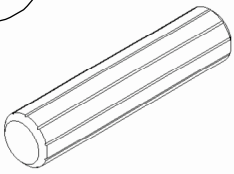
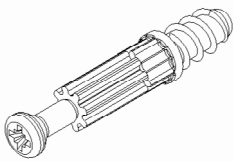
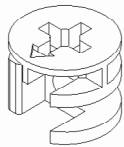
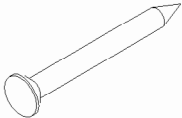
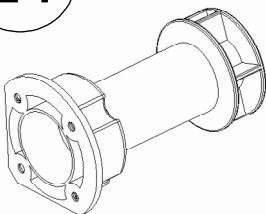
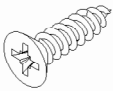

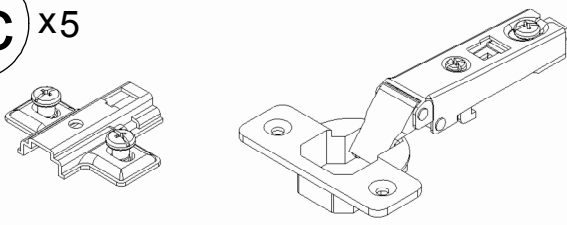


AURORA D60ZL

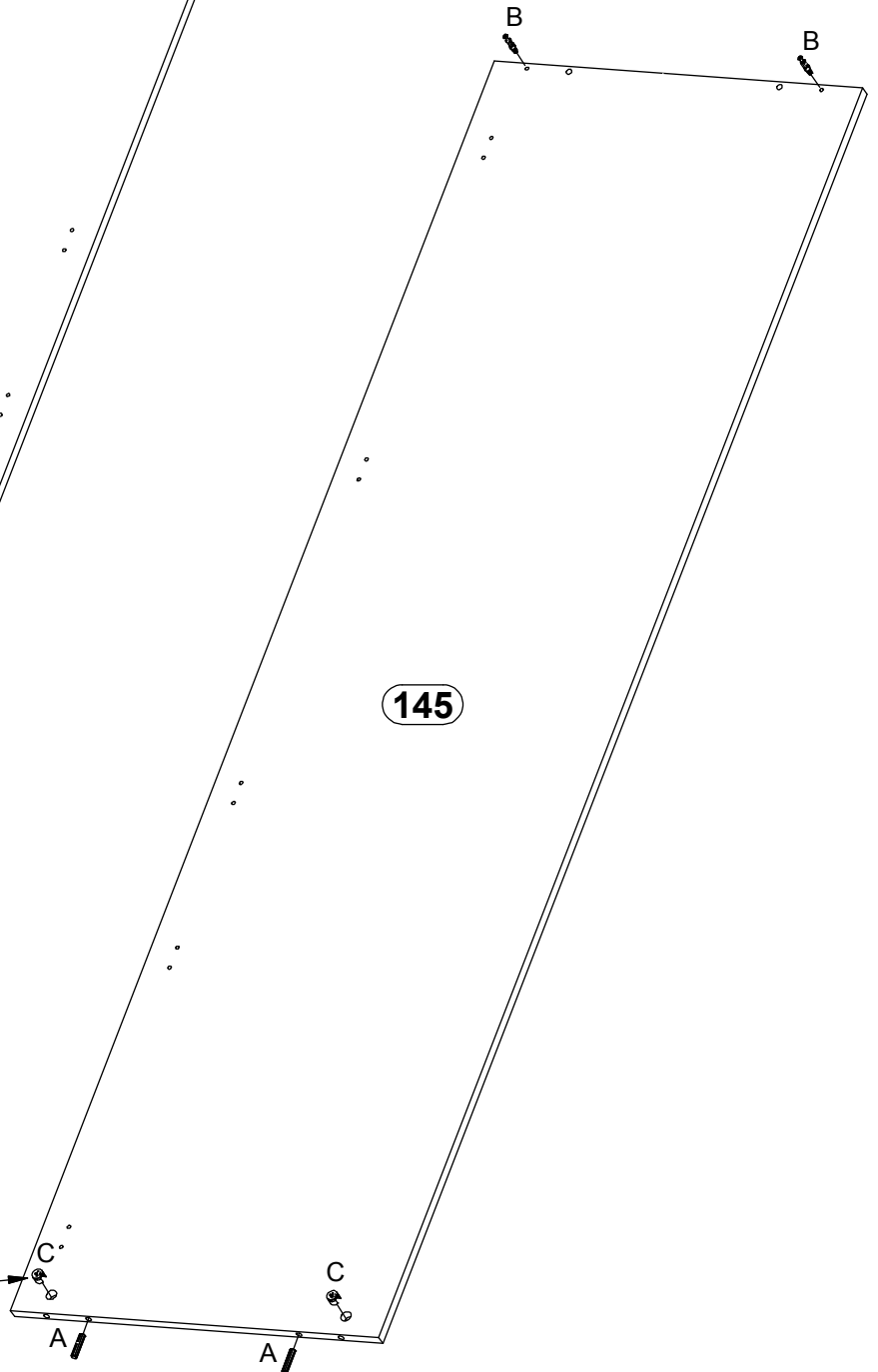
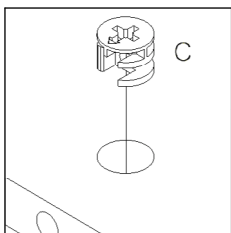
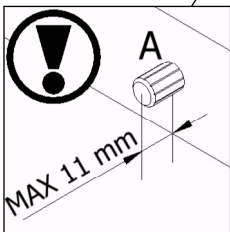
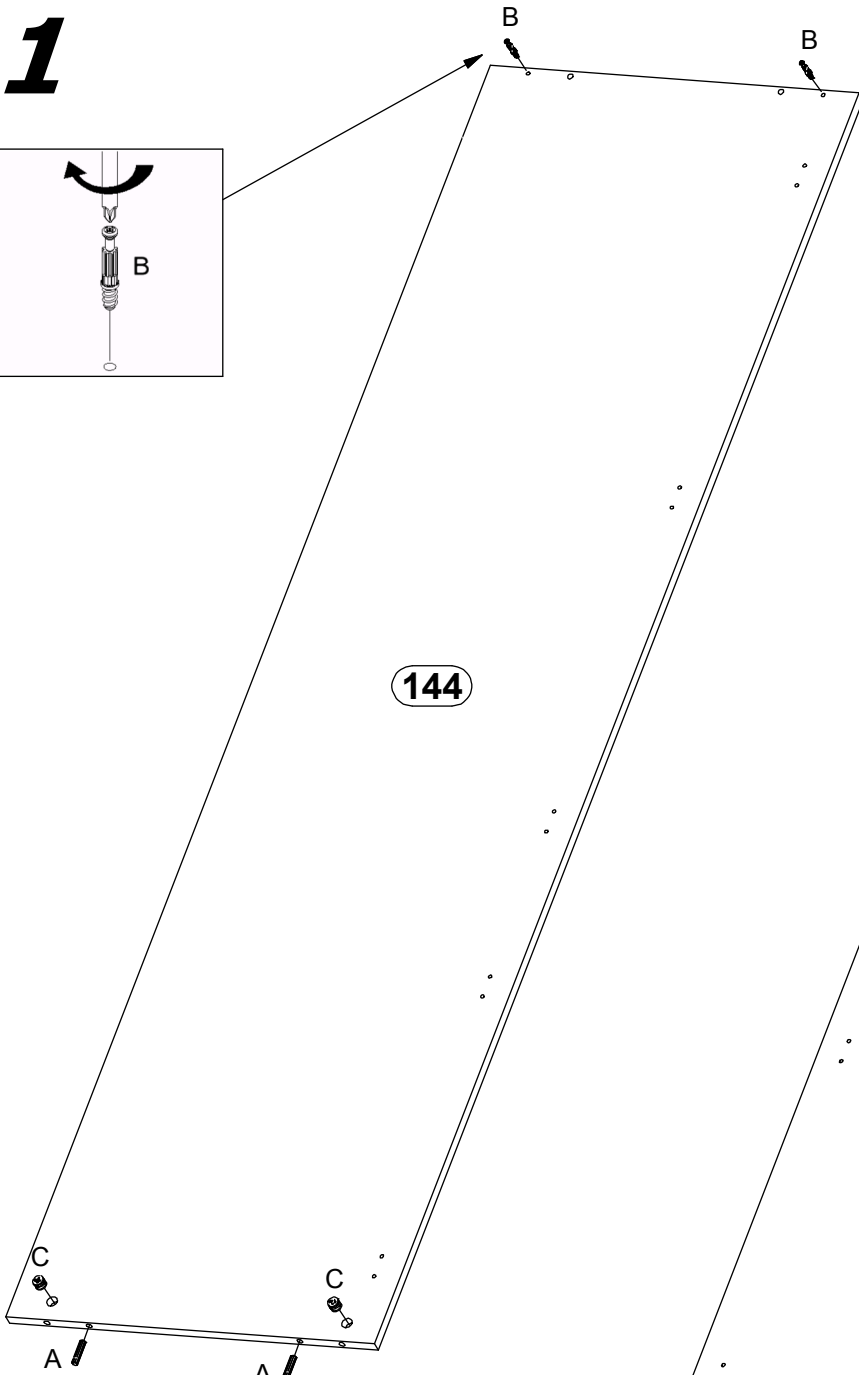
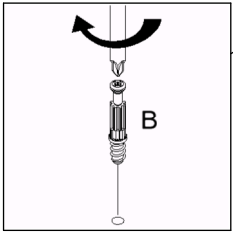


AURORA D60ZL

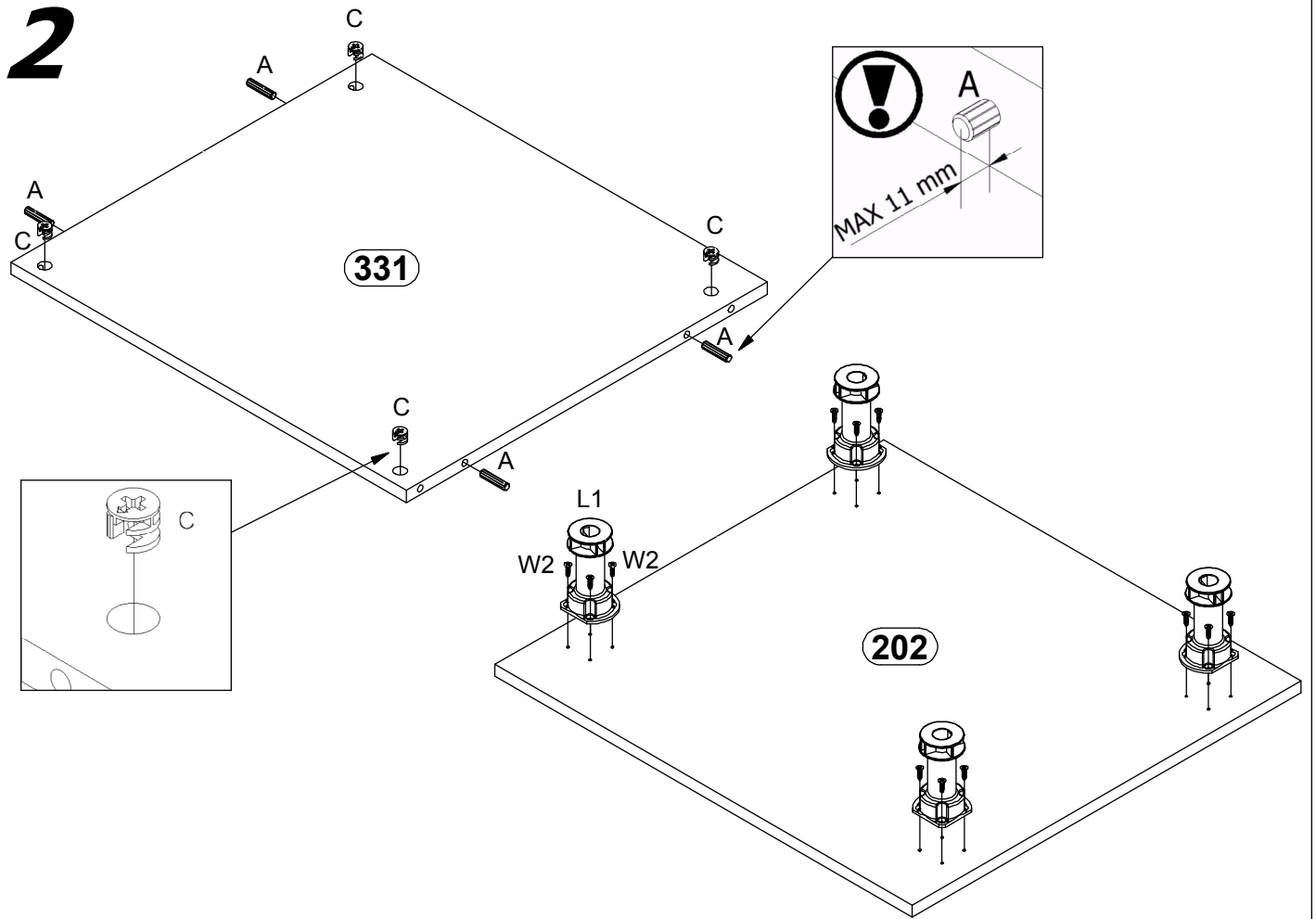


<p>A x8</p>  <p>Ø8x35mm</p>	<p>B x8</p> 	<p>C x8</p>  <p>Ø15x12mm</p>	<p>G x35</p> 
<p>L1 x4</p> 		<p>W2 x26</p>  <p>Ø3,5x16mm</p>	<p>Y x8</p>  <p>Ø18 mm</p>
<p>Zc x5</p>  <p>Zc-1 Zc-2</p>			

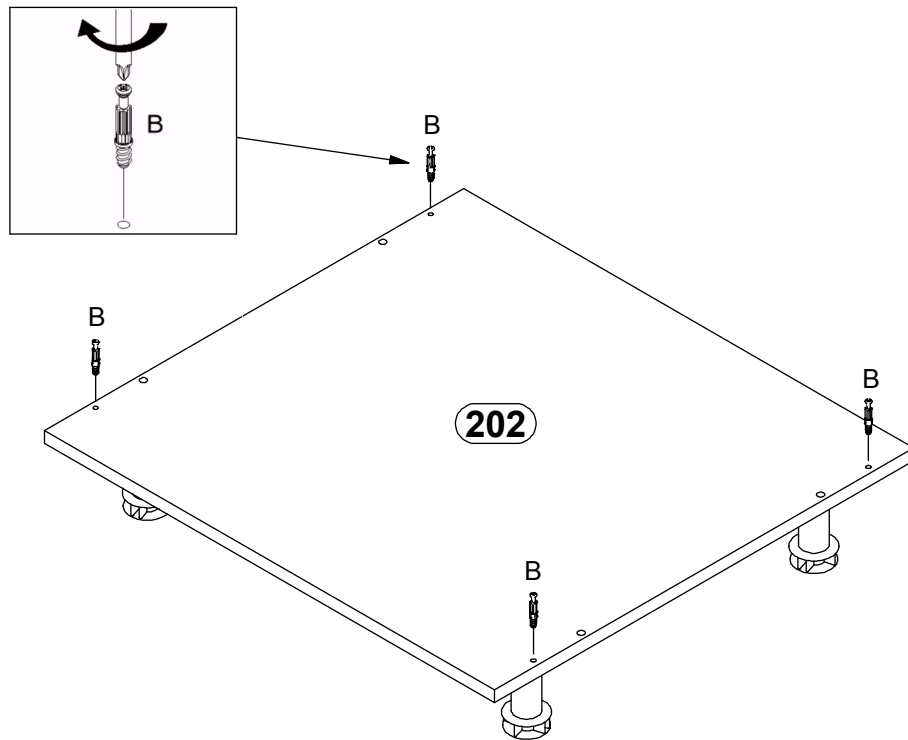
1



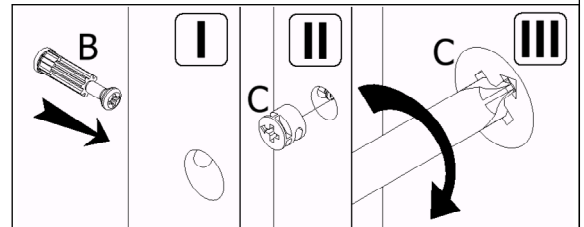
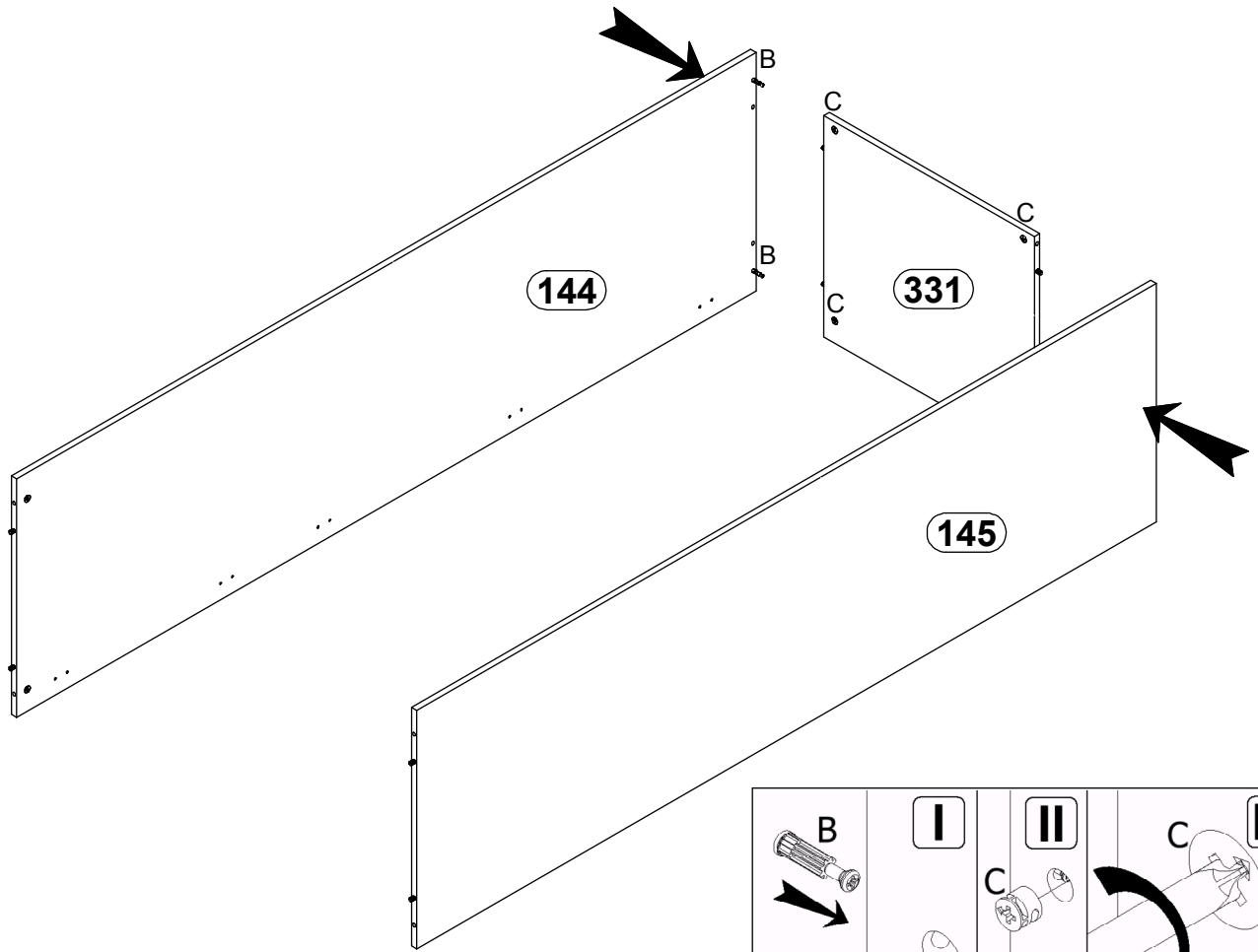
2



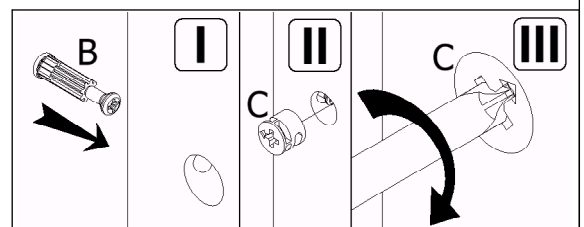
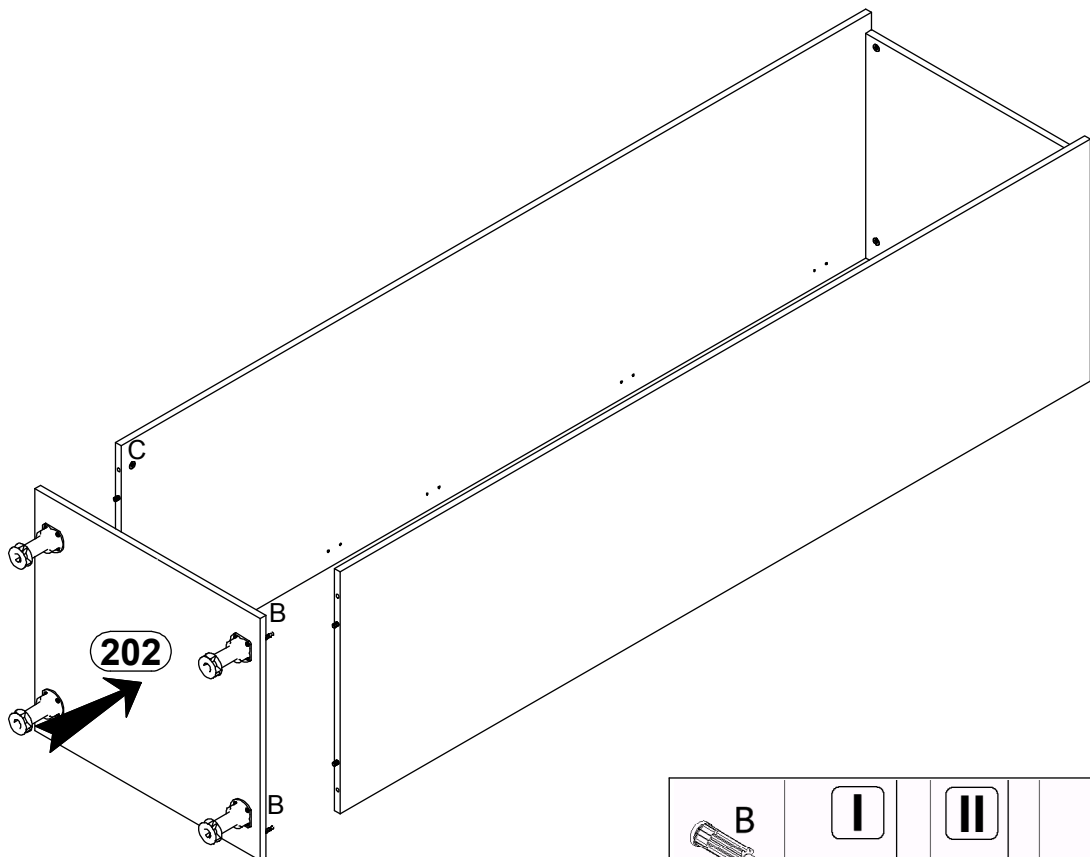
3



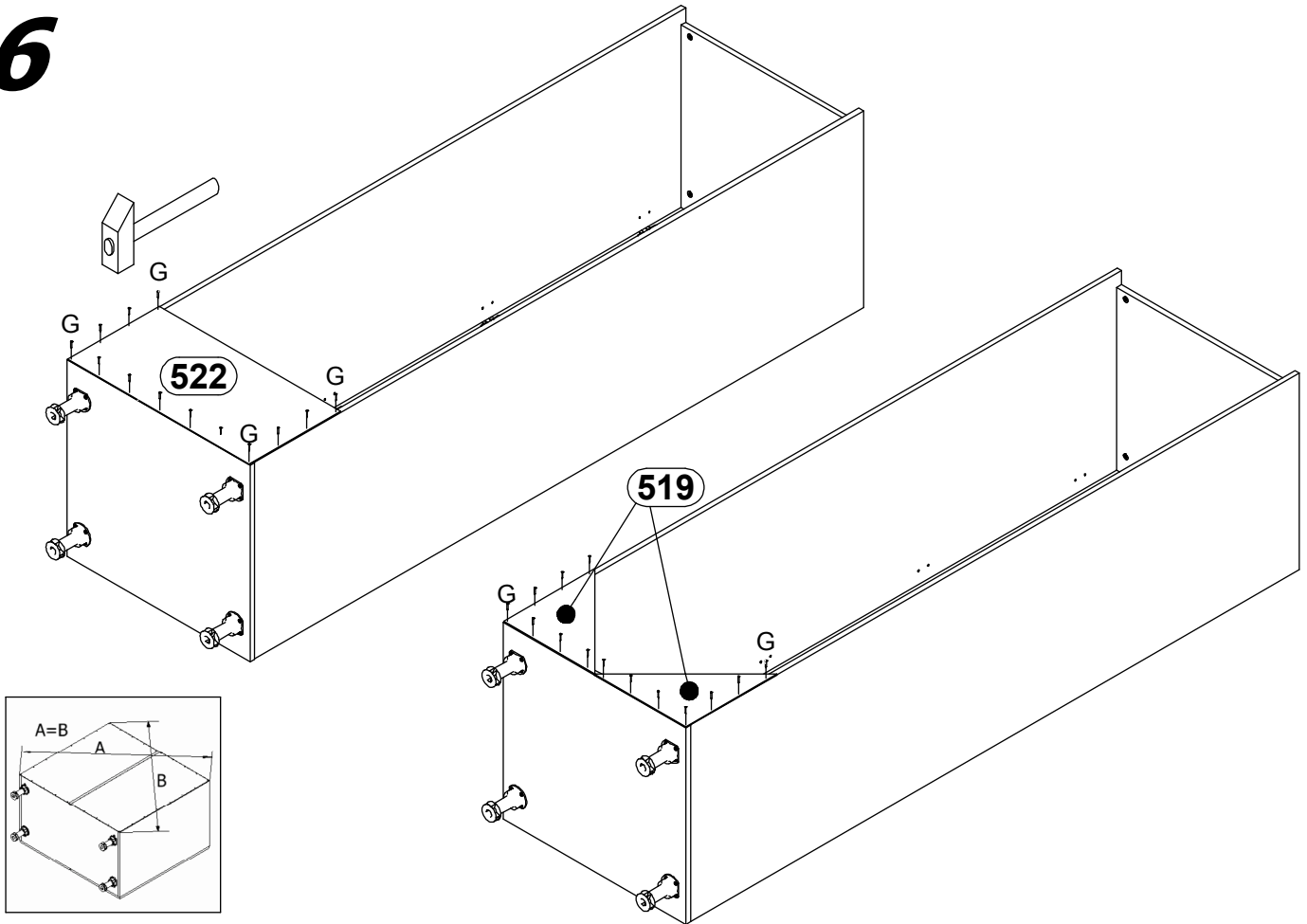
4



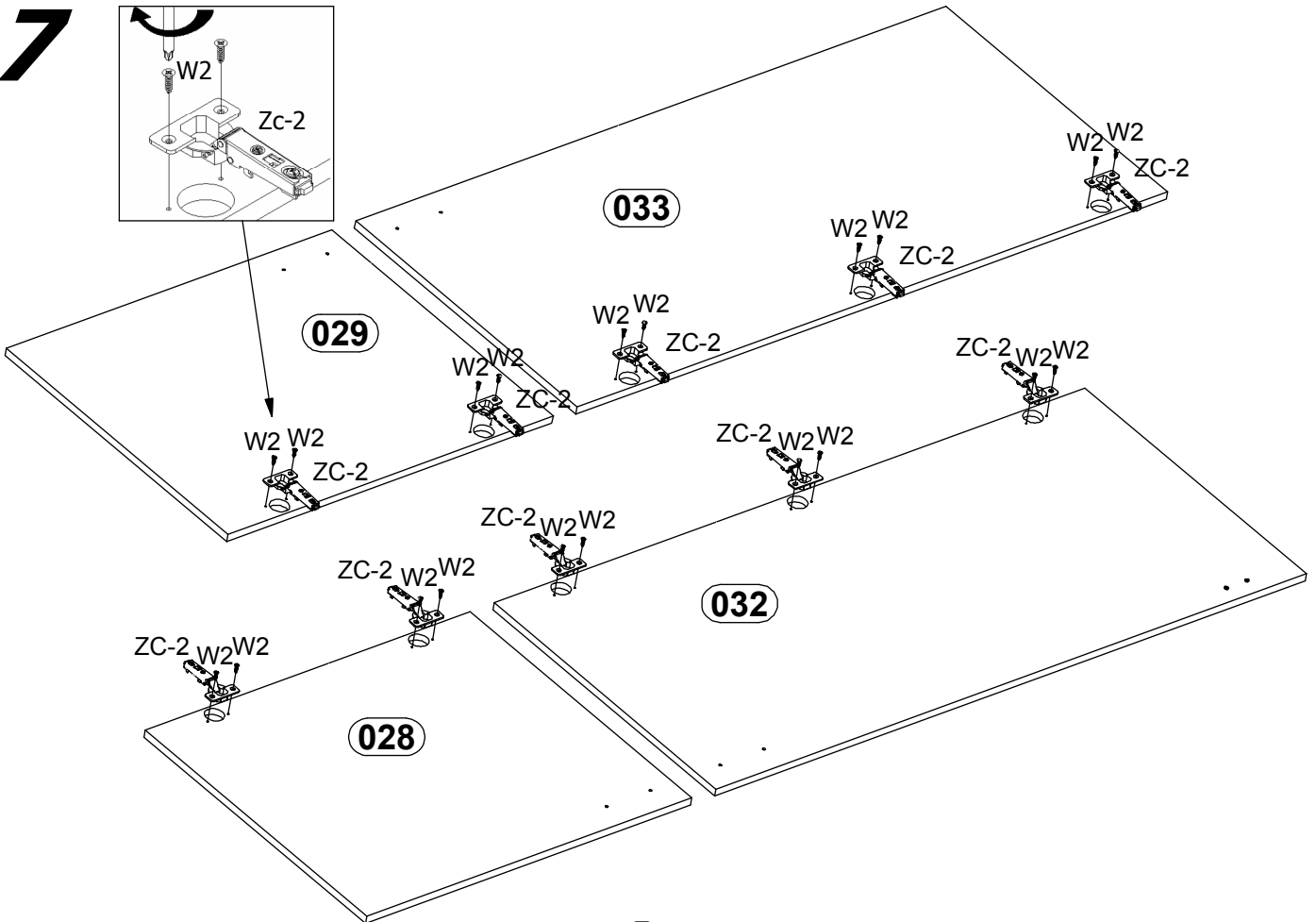
5



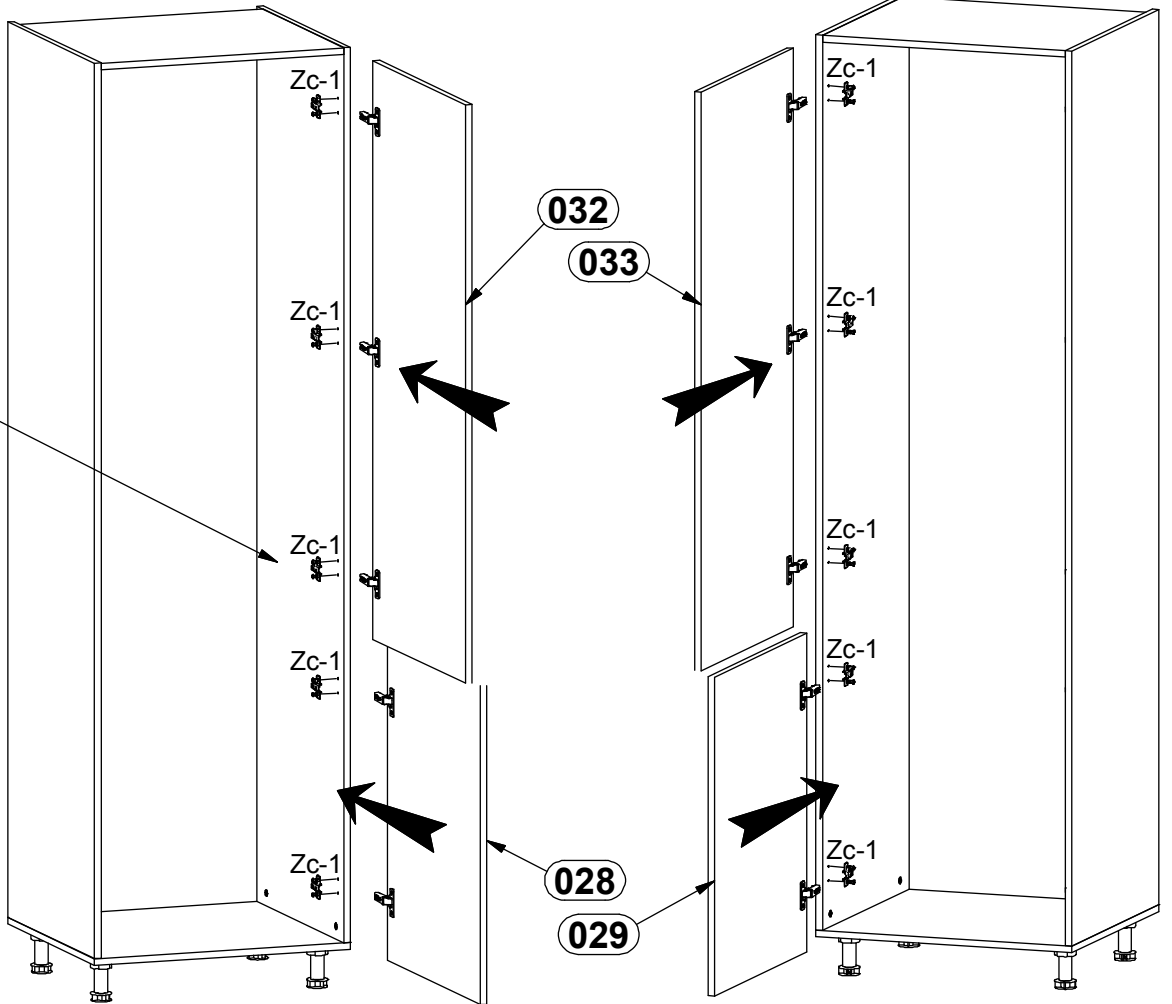
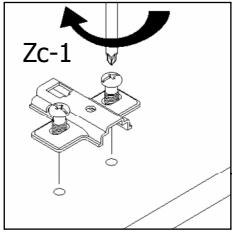
6



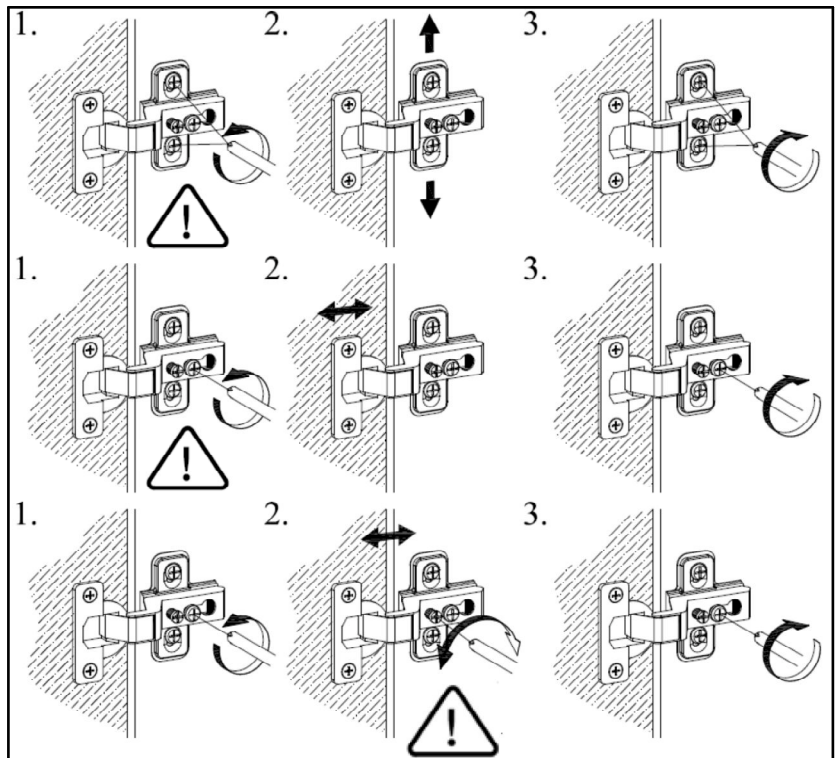
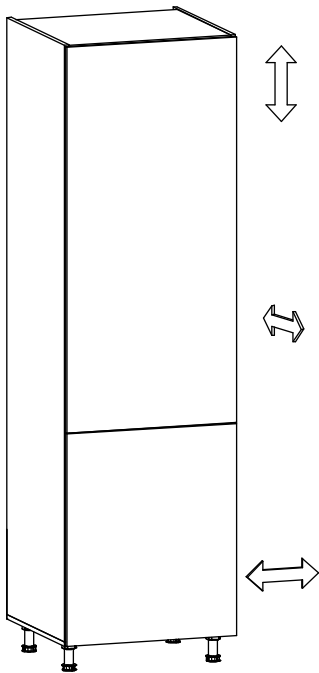
7

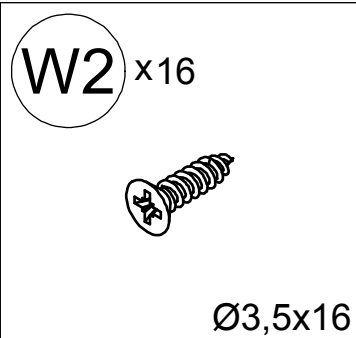
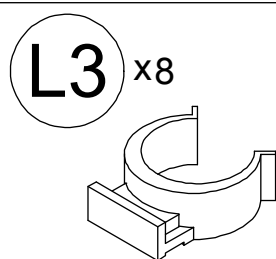
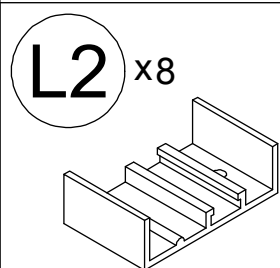
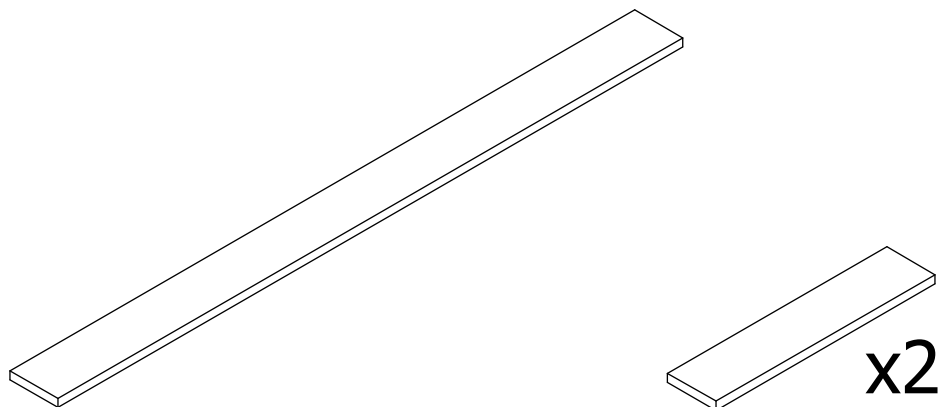
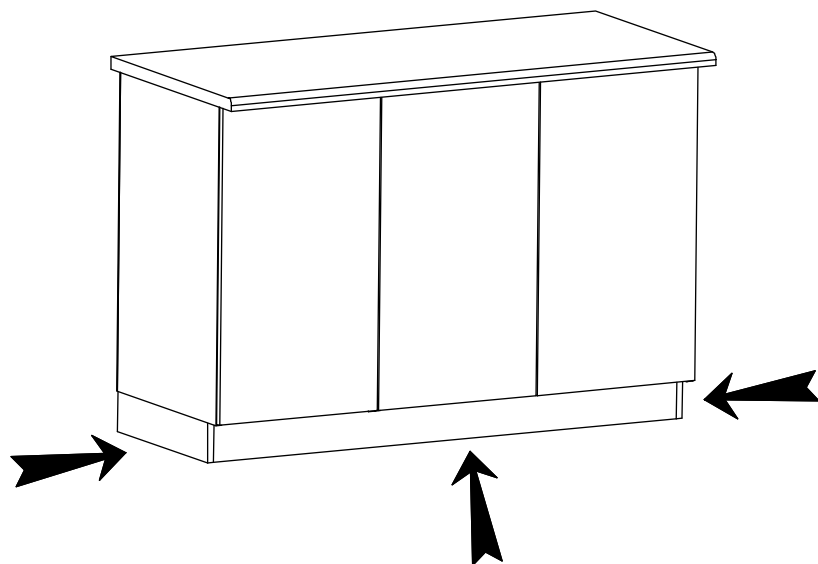


8

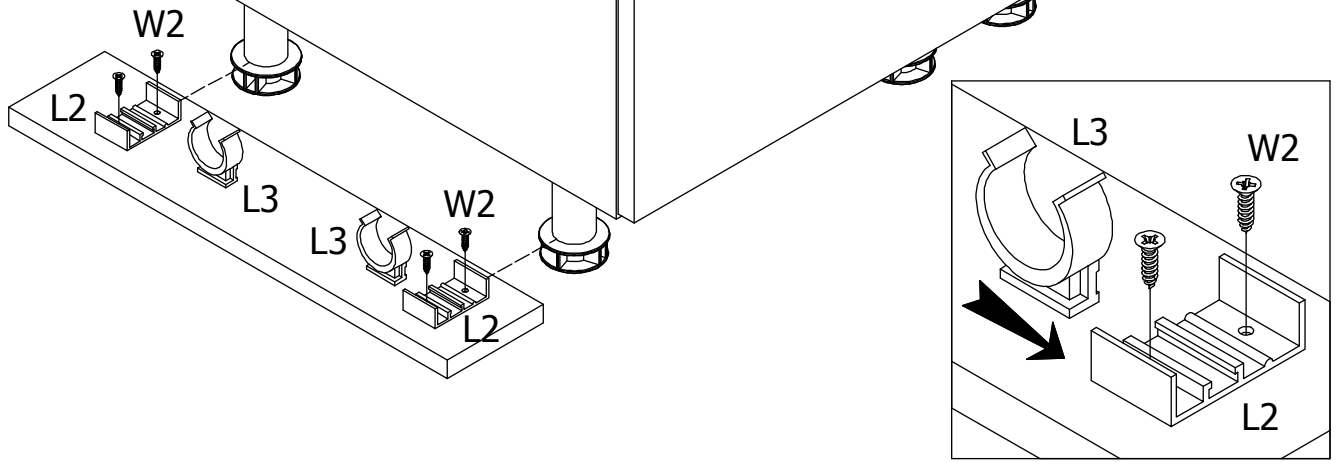


9





10



11

